

# RECTANGULAR CONNECTORS

## FCN-360 SERIES

### ■ FEATURES

- Many applications  
Various connectors are available for connection by means of soldering, wire wrapping, crimping, PC board mounting, and insulation displacement connection (IDC). The user can choose a plug and jack combination that best meet each application.
- Small size for high-density mounting  
The connectors are small with a contact and terminal pitch of 2.54 mm (0.100 in.) between pins and between rows and are thus well suited for high-density mounting.
- Sturdy shell guide  
Sturdy shell guides are used to prevent mismatching and to protect the pins.
- Excellent cost performance  
Streamlined design and automated manufacturing, including use of partial solder plating, provide excellent cost performance.



### ■ SPECIFICATIONS

| Item                            |               | Specification   |
|---------------------------------|---------------|---|
| Operating temperature range     |               | -55°C to +85°C  |
| Current Rating                  |               | DC 3 A (IDC type: 1 A)  |
| Voltage Rating                  |               | AC 250 V  |
| Contact resistance              |               | 15 mΩ max. (DC 6 V, 0.3 A)  |
| Insulation resistance           |               | 1000 MΩ min. (DC 500 V)   |
| Dielectric withstanding voltage |               | AC 500 V for 1 minute   |
| Insertion force                 |               | 2.5 kg max. (8 contacts), 20 kg max. (64 contacts)  |
| Withdrawal force                |               | 0.3 kg min. (8 contacts), 2.3 kg min. (64 contacts)   |
| Applicable wire                 | Soldering     | φ0.60 mm (0.024 in.) max, AWG #23 or less   |
|                                 | Wire-wrapping | φ0.32 mm (0.013 in.) to φ0.26 mm (0.010 in.), AWG #28 to #30  |
|                                 | Crimping      | Standard contacts φ0.51 mm (0.020 in.) to φ0.32 mm (0.013 in.), AWG #24 to #28, insulator φ1.2 mm (0.047 in.) max. Contacts for thick wires φ0.64 mm (0.025 in.) to φ0.32 mm (0.013 in.), AWG #22 to #28, insulator φ1.7 (0.067 in.) max. |
|                                 | IDC           | Flat cable 1.27 mm (0.050 in.) pitch, AWG #28 (stranded wire), AWG #30 (solid wire)   |
| Applicable PC board             |               | 1.6 mm (0.063 in.) standard thick   |

### ■ MATERIALS

| Item      | Material                     |
|-----------|------------------------------|
| Insulator | Polyester (363J: PC94V-2)    |
| Conductor | Copper alloy                 |
| Plating   | Gold plating, silver plating |

# FCN-360 Series

## APPLICATION EXAMPLE



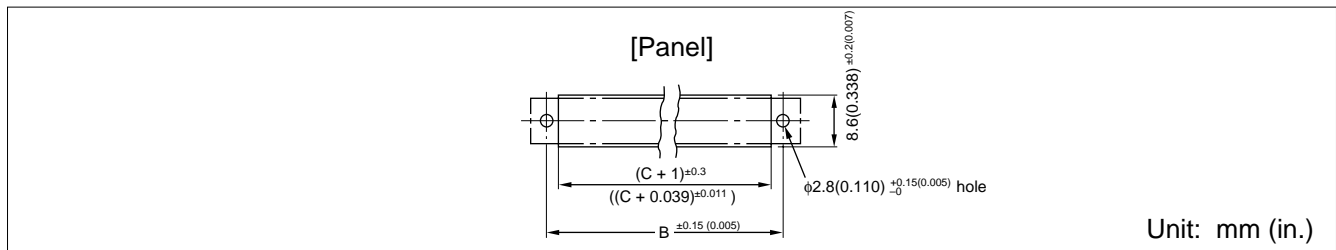
# FCN-360 Series

## SOLDERING TYPE (PLUG)

### ■ DIMENSIONS



### ■ MOUNTING HOLE LAYOUT



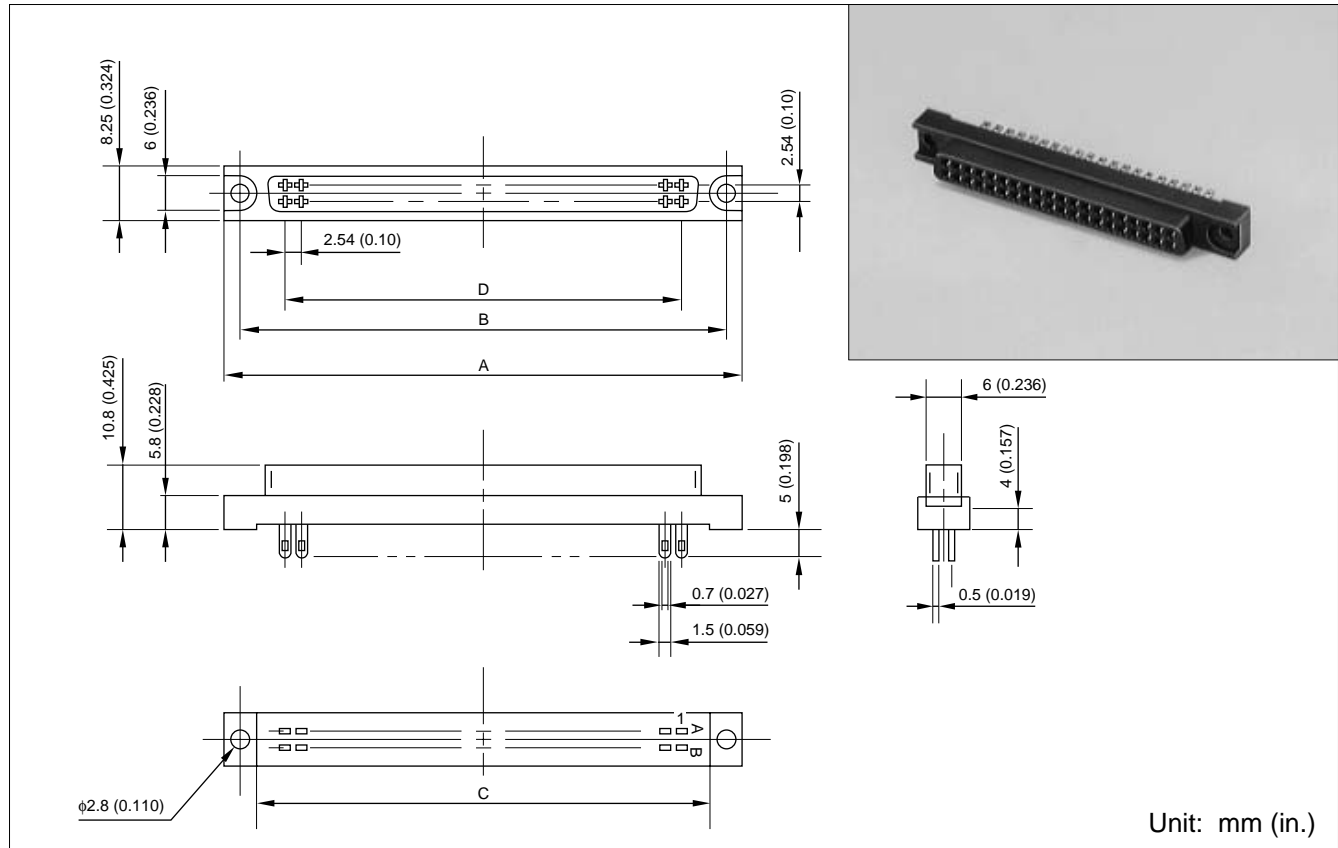
### ■ PART NUMBERS AND DIMENSIONS

| Number of contacts | Part number    | Dimensions: mm (in.) |               |               |             |
|--------------------|----------------|----------------------|---------------|---------------|-------------|
|                    |                | A                    | B             | C             | D           |
| 8                  | FCN-361P008-AU | 28.84 (1.135)        | 23.34 (0.918) | 17.84 (0.702) | 7.62 (0.3)  |
| 16                 | FCN-361P016-AU | 39.0 (1.535)         | 33.5 (1.318)  | 28.0 (1.102)  | 17.78 (0.7) |
| 24                 | FCN-361P024-AU | 49.16 (1.935)        | 43.66 (1.718) | 38.16 (1.502) | 27.94 (1.1) |
| 32                 | FCN-361P032-AU | 59.32 (2.335)        | 53.82 (2.118) | 48.32 (1.902) | 38.1 (1.5)  |
| 40                 | FCN-361P040-AU | 69.48 (2.735)        | 63.98 (2.518) | 58.48 (2.302) | 48.26 (1.9) |
| 48                 | FCN-361P048-AU | 79.64 (3.135)        | 74.14 (2.918) | 68.64 (2.702) | 58.42 (2.3) |
| 56                 | FCN-361P056-AU | 89.8 (3.535)         | 84.3 (3.318)  | 78.8 (3.102)  | 68.58 (2.7) |
| 64                 | FCN-361P064-AU | 99.96 (3.935)        | 94.46 (3.718) | 88.96 (3.502) | 78.74 (3.1) |

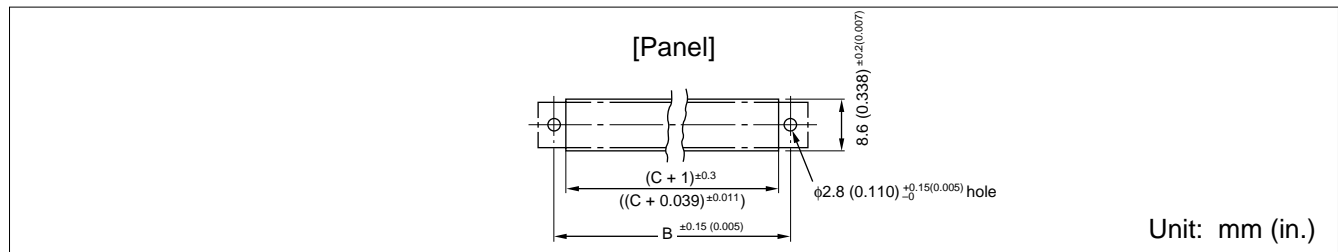
# FCN-360 Series

## SOLDERING TYPE (JACK)

### ■ DIMENSIONS



### ■ BOARD MOUNTING HOLE LAYOUT



### ■ PART NUMBERS AND DIMENSIONS

| Number of contacts | Part number    | Dimensions: mm (in.) |               |               |             |
|--------------------|----------------|----------------------|---------------|---------------|-------------|
|                    |                | A                    | B             | C             | D           |
| 8                  | FCN-361J008-AU | 28.84 (1.135)        | 23.34 (0.918) | 17.84 (0.702) | 7.62 (0.3)  |
| 16                 | FCN-361J016-AU | 39.0 (1.535)         | 33.5 (1.318)  | 28.0 (1.102)  | 17.78 (0.7) |
| 24                 | FCN-361J024-AU | 49.16 (1.935)        | 43.66 (1.718) | 38.16 (1.502) | 27.94 (1.1) |
| 32                 | FCN-361J032-AU | 59.32 (2.335)        | 53.82 (2.118) | 48.32 (1.902) | 38.1 (1.5)  |
| 40                 | FCN-361J040-AU | 69.48 (2.735)        | 63.98 (2.518) | 58.48 (2.302) | 48.26 (1.9) |
| 48                 | FCN-361J048-AU | 79.64 (3.135)        | 74.14 (2.918) | 68.64 (2.702) | 58.42 (2.3) |
| 56                 | FCN-361J056-AU | 89.8 (3.535)         | 84.3 (3.318)  | 78.8 (3.102)  | 68.58 (2.7) |
| 64                 | FCN-361J064-AU | 99.96 (3.935)        | 94.46 (3.718) | 88.96 (3.502) | 78.74 (3.1) |

## WIRE-WRAP TYPE (PLUG)

### ■ DIMENSIONS



### ■ MOUNTING HOLE LAYOUT



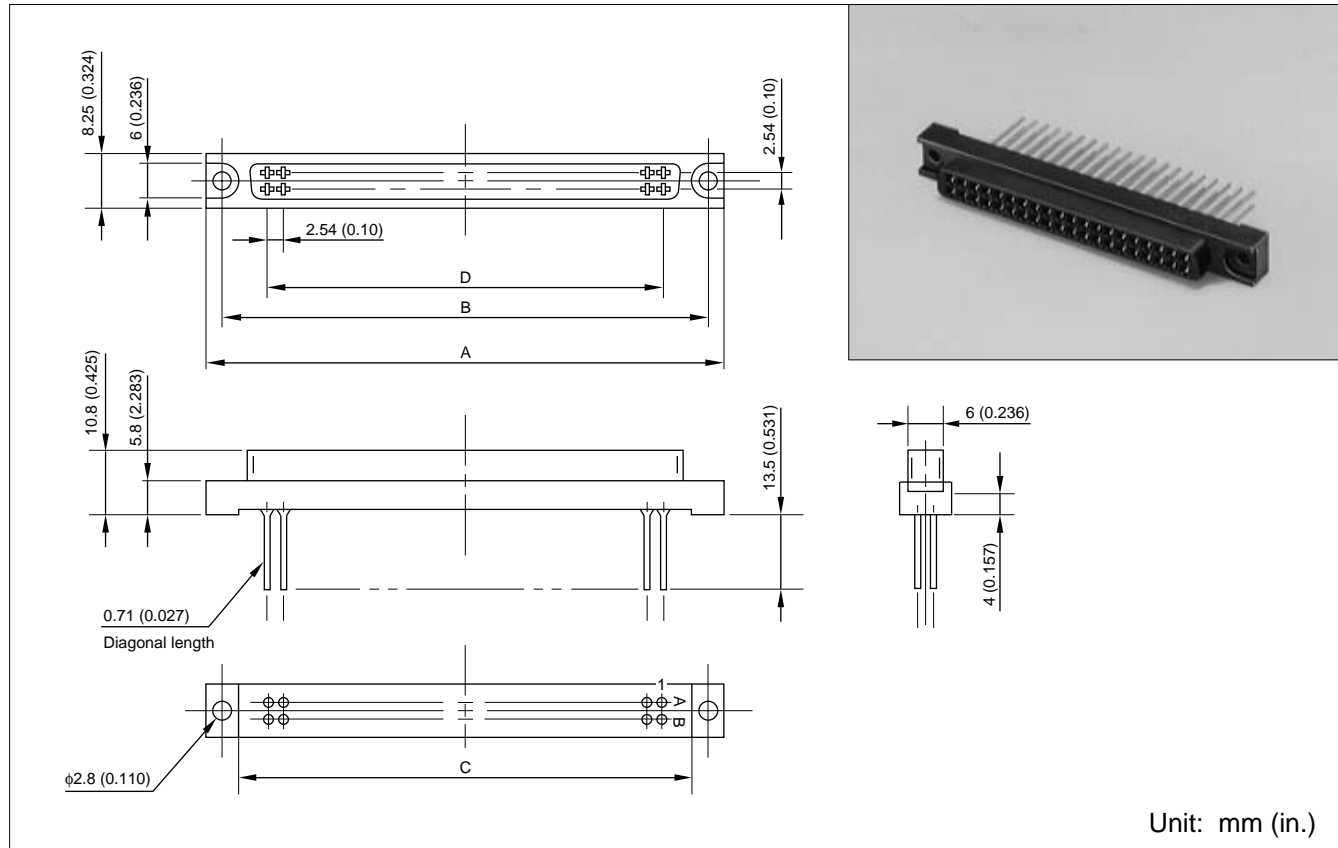
### ■ PART NUMBERS AND DIMENSIONS

| Number of contacts | Part number    | Dimensions: mm (in.) |               |               |             |
|--------------------|----------------|----------------------|---------------|---------------|-------------|
|                    |                | A                    | B             | C             | D           |
| 8                  | FCN-362P008-AU | 28.84 (1.135)        | 23.34 (0.918) | 17.84 (0.702) | 7.62 (0.3)  |
| 16                 | FCN-362P016-AU | 39.0 (1.535)         | 33.5 (1.318)  | 28.0 (1.102)  | 17.78 (0.7) |
| 24                 | FCN-362P024-AU | 49.16 (1.935)        | 43.66 (1.718) | 38.16 (1.502) | 27.94 (1.1) |
| 32                 | FCN-362P032-AU | 59.32 (2.335)        | 53.82 (2.118) | 48.32 (1.902) | 38.1 (1.5)  |
| 40                 | FCN-362P040-AU | 69.48 (2.735)        | 63.98 (2.518) | 58.48 (2.302) | 48.26 (1.9) |
| 48                 | FCN-362P048-AU | 79.64 (3.135)        | 74.14 (2.918) | 68.64 (2.702) | 58.42 (2.3) |
| 56                 | FCN-362P056-AU | 89.8 (3.535)         | 84.3 (3.318)  | 78.8 (3.102)  | 68.58 (2.7) |
| 64                 | FCN-362P064-AU | 99.96 (3.935)        | 94.46 (3.718) | 88.96 (3.502) | 78.74 (3.1) |

# FCN-360 Series

## WIRE-WRAP TYPE (JACK)

### ■ DIMENSIONS



### ■ MOUNTING HOLE LAYOUT



### ■ PART NUMBERS AND DIMENSIONS

| Number of contacts | Part number    | Dimensions: mm (in.) |               |               |             |
|--------------------|----------------|----------------------|---------------|---------------|-------------|
|                    |                | A                    | B             | C             | D           |
| 8                  | FCN-362J008-AU | 28.84 (1.135)        | 23.34 (0.918) | 17.84 (0.702) | 7.62 (0.3)  |
| 16                 | FCN-362J016-AU | 39.0 (1.535)         | 33.5 (1.318)  | 28.0 (1.102)  | 17.78 (0.7) |
| 24                 | FCN-362J024-AU | 49.16 (1.935)        | 43.66 (1.718) | 38.16 (1.502) | 27.94 (1.1) |
| 32                 | FCN-362J032-AU | 59.32 (2.335)        | 53.82 (2.118) | 48.32 (1.902) | 38.1 (1.5)  |
| 40                 | FCN-362J040-AU | 69.48 (2.735)        | 63.98 (2.518) | 58.48 (2.302) | 48.26 (1.9) |
| 48                 | FCN-362J048-AU | 79.64 (3.135)        | 74.14 (2.918) | 68.64 (2.702) | 58.42 (2.3) |
| 56                 | FCN-362J056-AU | 89.8 (3.535)         | 84.3 (3.318)  | 78.8 (3.102)  | 68.58 (2.7) |
| 64                 | FCN-362J064-AU | 99.96 (3.935)        | 94.46 (3.718) | 88.96 (3.502) | 78.74 (3.1) |

# FCN-360 Series

## CRIMP TYPE (JACK HOUSING)

### ■ DIMENSIONS



### ■ MOUNTING HOLE LAYOUT



### ■ PART NUMBERS AND DIMENSIONS

| Number of contacts | Part number | Dimensions: mm (in.) |               |               |             |
|--------------------|-------------|----------------------|---------------|---------------|-------------|
|                    |             | A                    | B             | C             | D           |
| 8                  | FCN-363J008 | 28.84 (1.135)        | 23.34 (0.918) | 17.84 (0.702) | 7.62 (0.3)  |
| 16                 | FCN-363J016 | 39.0 (1.535)         | 33.5 (1.318)  | 28.0 (1.102)  | 17.78 (0.7) |
| 24                 | FCN-363J024 | 49.16 (1.935)        | 43.66 (1.718) | 38.16 (1.502) | 27.94 (1.1) |
| 32                 | FCN-363J032 | 59.32 (2.335)        | 53.82 (2.118) | 48.32 (1.902) | 38.1 (1.5)  |
| 40                 | FCN-363J040 | 69.48 (2.735)        | 63.98 (2.518) | 58.48 (2.302) | 48.26 (1.9) |
| 48                 | FCN-363J048 | 79.64 (3.135)        | 74.14 (2.918) | 68.64 (2.702) | 58.42 (2.3) |
| 56                 | FCN-363J056 | 89.8 (3.535)         | 84.3 (3.318)  | 78.8 (3.102)  | 68.58 (2.7) |
| 64                 | FCN-363J064 | 99.96 (3.935)        | 94.46 (3.718) | 88.96 (3.502) | 78.74 (3.1) |

# FCN-360 Series

## CRIMP TYPE (CONTACT)

### ■ DIMENSIONS



### ■ PART NUMBERS

| Type         | Plating      | Standard      | Thick wire connection contact |
|--------------|--------------|---------------|-------------------------------|
| Loose piece  | Gold plating | FCN-363J-AU   | FCN-363J-AU/S                 |
| Strip reeled | Gold plating | FCN-363J-AU/R | FCN-363J-AU/T                 |

### ■ PART NUMBERS OF CRIMPING TOOLS

| Part number                              | Contact type                   | Applicable wire | Wire cross-section area (mm <sup>2</sup> ) | Crimp height                                  | Insulator diameter                        | Stripped length                             |
|--|--------------------------------|-----------------|--|---|---|---|
| FCN-363T-T005/H<br>(Hand crimping tool)  | FCN-363J-□<br>(Loose piece)    | AWG #24         | 0.20 to 0.24                               | 1.25 mm (0.049 in.) to<br>1.30 mm (0.051 in.) | φ1.2 mm<br>(0.047 in.) max                | 3.0 mm (0.118 in.) to<br>4.0 mm (0.157 in.) |
| FCN-M110<br>(Automatic crimping machine) | FCN-363J-□/R<br>(Strip reeled) | AWG #26         | 0.13 to 0.16                               | 1.20 mm (0.047 in.) to<br>1.25 mm (0.049 in.) | φ1.2 mm<br>(0.047 in.) max                | 3.0 mm (0.118 in.) to<br>4.0 mm (0.157 in.) |
| FCN-A105<br>(Applicator)                 | □ is AG or AU.                 | AWG #28         | 0.088 to 0.096                             | 1.15 mm (0.045 in.) to<br>1.20 mm (0.047 in.) | φ1.2 mm<br>(0.047 in.) max                | 3.0 mm (0.118 in.) to<br>4.0 mm (0.157 in.) |
| FCN-363T-T011/H<br>(Hand crimping tool)  | FCN-363J-□/S<br>(Loose piece)  | AWG #22         | 0.30 to 0.40                               | 0.85 mm (0.033 in.) to<br>0.95 mm (0.037 in.) | φ0.9 mm (0.035 in.)<br>1.8 mm (0.708 in.) | 3.0 mm (0.118 in.) to<br>4.0 mm (0.157 in.) |
| FCN-M110<br>(Automatic crimping machine) | FCN-363J-□/T<br>(Strip reeled) | AWG #24         | 0.20 to 0.24                               | 0.75 mm (0.029 in.) to<br>0.85 mm (0.033 in.) | φ0.9 mm (0.035 in.)<br>1.8 mm (0.708 in.) | 3.0 mm (0.118 in.) to<br>4.0 mm (0.157 in.) |
| FCN-A111<br>(Applicator)                 | □ is AG or AU.                 | AWG #26         | 0.13 to 0.16                               | 0.73 mm (0.028 in.) to<br>0.81 mm (0.031 in.) | φ0.9 mm (0.035 in.)<br>1.8 mm (0.708 in.) | 3.0 mm (0.118 in.) to<br>4.0 mm (0.157 in.) |

[Hand crimping tool]



[Semi-automatic crimping machine, [Contact withdrawal tool] applicator]



FCN-360T-T001/H

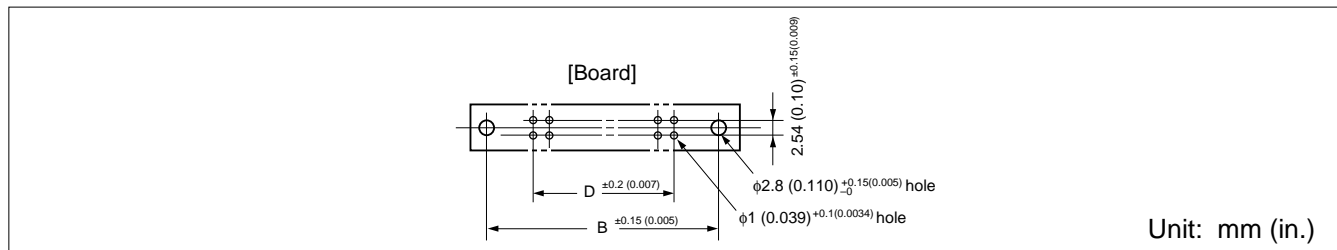


## STRAIGHT TYPE (PLUG)

### ■ DIMENSIONS



### ■ BOARD MOUNTING HOLE LAYOUT



### ■ PART NUMBERS AND DIMENSIONS

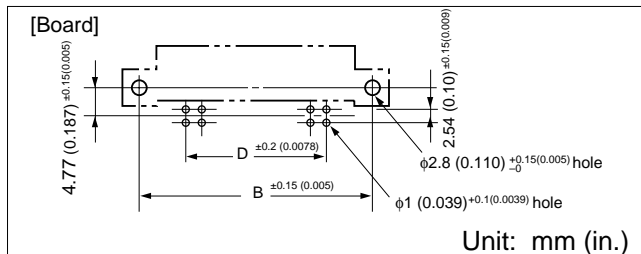
| Number of contacts | Part number    | Dimensions: mm (in.) |               |               |             |
|--------------------|----------------|----------------------|---------------|---------------|-------------|
|                    |                | A                    | B             | C             | D           |
| 8                  | FCN-364P008-AU | 28.84 (1.135)        | 23.34 (0.918) | 17.84 (0.702) | 7.62 (0.3)  |
| 16                 | FCN-364P016-AU | 39.0 (1.535)         | 33.5 (1.318)  | 28.0 (1.102)  | 17.78 (0.7) |
| 24                 | FCN-364P024-AU | 49.16 (1.935)        | 43.66 (1.718) | 38.16 (1.502) | 27.94 (1.1) |
| 32                 | FCN-364P032-AU | 59.32 (2.335)        | 53.82 (2.118) | 48.32 (1.902) | 38.1 (1.5)  |
| 40                 | FCN-364P040-AU | 69.48 (2.735)        | 63.98 (2.518) | 58.48 (2.302) | 48.26 (1.9) |
| 48                 | FCN-364P048-AU | 79.64 (3.135)        | 74.14 (2.918) | 68.64 (2.702) | 58.42 (2.3) |
| 56                 | FCN-364P056-AU | 89.8 (3.535)         | 84.3 (3.318)  | 78.8 (3.102)  | 68.58 (2.7) |
| 64                 | FCN-364P064-AU | 99.96 (3.935)        | 94.46 (3.718) | 88.96 (3.502) | 78.74 (3.1) |



## RIGHT-ANGLE TYPE (PLUG) DIMENSIONS

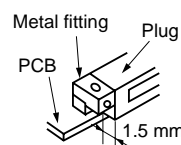


## MOUNTING HOLE LAYOUT



## NOTE

- Note on mounting a right-angle plug on a board**



Mount the connector so that it projects from the board by at least 1.5 mm (0.059 in.).

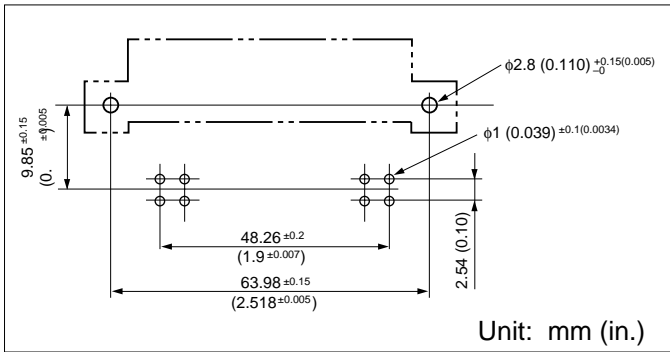
## PART NUMBERS AND DIMENSIONS

| Number of contacts | Part number    | Dimensions: mm (in.) |               |               |             |
|--------------------|----------------|----------------------|---------------|---------------|-------------|
|                    |                | A                    | B             | C             | D           |
| 8                  | FCN-365P008-AU | 28.84 (1.135)        | 23.34 (0.918) | 17.84 (0.702) | 7.62 (0.3)  |
| 16                 | FCN-365P016-AU | 39.0 (1.535)         | 33.5 (1.318)  | 28.0 (1.102)  | 17.78 (0.7) |
| 24                 | FCN-365P024-AU | 49.16 (1.935)        | 43.66 (1.718) | 38.16 (1.502) | 27.94 (1.1) |
| 32                 | FCN-365P032-AU | 59.32 (2.335)        | 53.82 (2.118) | 48.32 (1.902) | 38.1 (1.5)  |
| 40                 | FCN-365P040-AU | 69.48 (2.735)        | 63.98 (2.518) | 58.48 (2.302) | 48.26 (1.9) |
| 48                 | FCN-365P048-AU | 79.64 (3.135)        | 74.14 (2.918) | 68.64 (2.702) | 58.42 (2.3) |
| 56                 | FCN-365P056-AU | 89.8 (3.535)         | 84.3 (3.318)  | 78.8 (3.102)  | 68.58 (2.7) |
| 64                 | FCN-365P064-AU | 99.96 (3.935)        | 94.46 (3.718) | 88.96 (3.502) | 78.74 (3.1) |

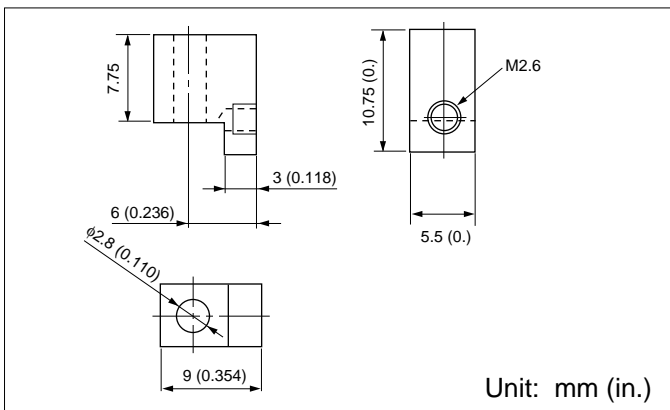
## RIGHT-ANGLE TYPE (FOR DUAL STACKED MOUNTING [40 CONTACTS ONLY]) ■ DIMENSIONS



## ■ MOUNTING HOLE LAYOUT



## ■ METAL FITTINGS FOR DUAL ROW MOUNTING



## ■ PART NUMBER

Right-angle type: N630-3651-T919  
 Metal fittings: N630-3608-X038

## ■ MOUNTING



# FCN-360 Series

## RIGHT-ANGLE TYPE (JACK)

### ■ DIMENSIONS



### ■ MOUNTING HOLE LAYOUT



### ■ PART NUMBERS AND DIMENSIONS

| Number of contacts | Part number    | Dimensions: mm (in.) |               |               |             |
|--------------------|----------------|----------------------|---------------|---------------|-------------|
|                    |                | A                    | B             | C             | D           |
| 8                  | FCN-365J008-AU | 28.84 (1.135)        | 23.34 (0.918) | 17.84 (0.702) | 7.62 (0.3)  |
| 16                 | FCN-365J016-AU | 39.0 (1.535)         | 33.5 (1.318)  | 28.0 (1.102)  | 17.78 (0.7) |
| 24                 | FCN-365J024-AU | 49.16 (1.935)        | 43.66 (1.718) | 38.16 (1.502) | 27.94 (1.1) |
| 32                 | FCN-365J032-AU | 59.32 (2.335)        | 53.82 (2.118) | 48.32 (1.902) | 38.1 (1.5)  |
| 40                 | FCN-365J040-AU | 69.48 (2.735)        | 63.98 (2.518) | 58.48 (2.302) | 48.26 (1.9) |
| 48                 | FCN-365J048-AU | 79.64 (3.135)        | 74.14 (2.918) | 68.64 (2.702) | 58.42 (2.3) |
| 56                 | FCN-365J056-AU | 89.8 (3.535)         | 84.3 (3.318)  | 78.8 (3.102)  | 68.58 (2.7) |
| 64                 | FCN-365J064-AU | 99.96 (3.935)        | 94.46 (3.718) | 88.96 (3.502) | 78.74 (3.1) |

## IDC TYPE (JACK) ■ DIMENSIONS



## ■ PART NUMBERS AND DIMENSIONS

| Number of contacts | Part number       |                  | Dimensions: mm (in.) |               |             |
|--------------------|-------------------|------------------|----------------------|---------------|-------------|
|                    | Through-end cover | Close-end cover  | A                    | B             | D           |
| 8                  | FCN-367J008-AU/H  | FCN-367J008-AU/F | 28.84 (1.135)        | 23.34 (0.918) | 7.62 (0.3)  |
| 16                 | FCN-367J016-AU/H  | FCN-367J016-AU/F | 39.0 (1.535)         | 33.5 (1.318)  | 17.78 (0.7) |
| 24                 | FCN-367J024-AU/H  | FCN-367J024-AU/F | 49.16 (1.935)        | 43.66 (1.718) | 27.94 (1.1) |
| 32                 | FCN-367J032-AU/H  | FCN-367J032-AU/F | 59.32 (2.335)        | 53.82 (2.118) | 38.1 (1.5)  |
| 40                 | FCN-367J040-AU/H  | FCN-367J040-AU/F | 69.48 (2.735)        | 63.98 (2.518) | 48.26 (1.9) |
| 48                 | FCN-367J048-AU/H  | FCN-367J048-AU/F | 79.64 (3.135)        | 74.14 (2.918) | 58.42 (2.3) |
| 56                 | FCN-367J056-AU/H  | FCN-367J056-AU/F | 89.8 (3.535)         | 84.3 (3.318)  | 68.58 (2.7) |
| 64                 | FCN-367J064-AU/H  | FCN-367J064-AU/F | 99.96 (3.935)        | 94.46 (3.718) | 78.74 (3.1) |

# FCN-360 Series

## IDC TOOLS

Special IDC tools are used to assemble FCN-360 series connectors and flat cables.

### ■ FEATURES

- The mechanisms are simple, so even novices can use them easily.
- Those who already have Fujitsu-manufactured IDC tools for other series connectors need only purchase the locator plate.

The hand press and cable cutter are designed to be used in common with all connectors.

- The assembly of cables and connectors with various numbers of contacts can be done by selective setting of the connector guides to the specified positions.
- The cable cutter has an extremely sharp cutting edge.

Notes:

- A detailed operation manual and instruction manual for IDC tools are available upon request.
- Should any question arise in using the IDC tools, consult our branch offices or agents in your area.



Hand press

Cable cutter

Locator plate (That for the 790 series is shown in the photograph.)

### ■ ORDERING CODES FOR IDC TOOLS

| Tool name                                 | Part number     |
|---|-----------------|
| Cable cutter (common)                     | FCN-707T-T001/H |
| Hand press (common)                       | FCN-707T-T101/H |
| Locator plate (for 360 series connectors) | FCN-367T-T012/H |

The hand press and cable cutter can be used for other IDC connectors.

## COVER

### ■ COMBINATIONS BETWEEN COVERS AND CONNECTORS

| Connector<br>Cover | Plug      | Jack      |               |          | Number of contacts |    |    |    |    |    |    |    |
|--------------------|-----------|-----------|---------------|----------|--------------------|----|----|----|----|----|----|----|
|                    | Soldering | Soldering | Wire-wrapping | Crimping | 8                  | 16 | 24 | 32 | 40 | 48 | 56 | 64 |
| FCN-360C□□□-B      | ○         | ○         | ○             | ○        | ○                  | ○  | ○  | ○  | ○  | ○  | ○  | ○  |
| FCN-360C□□□-C      | ○         | ○         | ○             | ○        | ○                  | ○  | ○  | ○  | ○  | ○  | ○  | ○  |
| FCN-360C□□□-D      | ○         | ○         | ○             | ○        |                    |    |    |    | ○  | ○  | ○  | ○  |
| FCN-360C□□□-E      | ○         | ○         | ○             | ○        | ○                  | ○  | ○  | ○  | ○  | ○  | ○  | ○  |
| FCN-360C064-F      | ○         | ○         | ○             | ○        |                    |    |    |    |    |    |    | ○  |
| FCN-360C040-G1     | ○         | ○         | ○             | ○        |                    |    |    |    | ○  |    |    |    |
| FCN-360C040-H/E    | ○         | ○         |               |          |                    |    |    |    | ○  |    |    |    |
| FCN-360C040-J1     | ○         | ○         |               |          |                    |    |    |    | ○  |    |    |    |

These covers cannot be used for IDC connectors.

# FCN-360 Series

## COVER (TYPE B)

### ■ DIMENSIONS



### ■ EXPLODED VIEW



### ■ PART NUMBERS AND DIMENSIONS

| Number of contacts | Part number   | Dimensions: mm (in.) |                |              |               |
|--------------------|---------------|----------------------|----------------|--------------|---------------|
|                    |               | B                    | F              | G            | H             |
| 8                  | FCN-360C008-B | 23.34 (0.918)        | 32.08 (1.262)  | —            | φ 5.7 (0.224) |
| 16                 | FCN-360C016-B | 33.50 (1.318)        | 42.24 (1.662)  | —            | φ 5.7 (0.224) |
| 24                 | FCN-360C024-B | 43.66 (1.718)        | 52.40 (2.062)  | —            | φ 8.0 (0.314) |
| 32                 | FCN-360C032-B | 53.82 (2.118)        | 62.56 (2.462)  | 2.0 (0.078)  | 8.0 (0.314)   |
| 40                 | FCN-360C040-B | 63.98 (2.518)        | 72.72 (2.862)  | 6.0 (0.236)  | 8.0 (0.314)   |
| 48                 | FCN-360C048-B | 74.14 (2.918)        | 82.88 (3.262)  | 10.0 (0.393) | 8.0 (0.314)   |
| 56                 | FCN-360C056-B | 84.30 (3.318)        | 93.04 (3.662)  | 14.0 (0.551) | 8.0 (0.314)   |
| 64                 | FCN-360C064-B | 94.46 (3.718)        | 103.20 (4.062) | 18.0 (0.708) | 8.0 (0.314)   |



# FCN-360 Series

## COVER FOR CABLE TO CABLE CONNECTION (TYPE C)

### ■ DIMENSIONS



### ■ EXPLODED VIEW

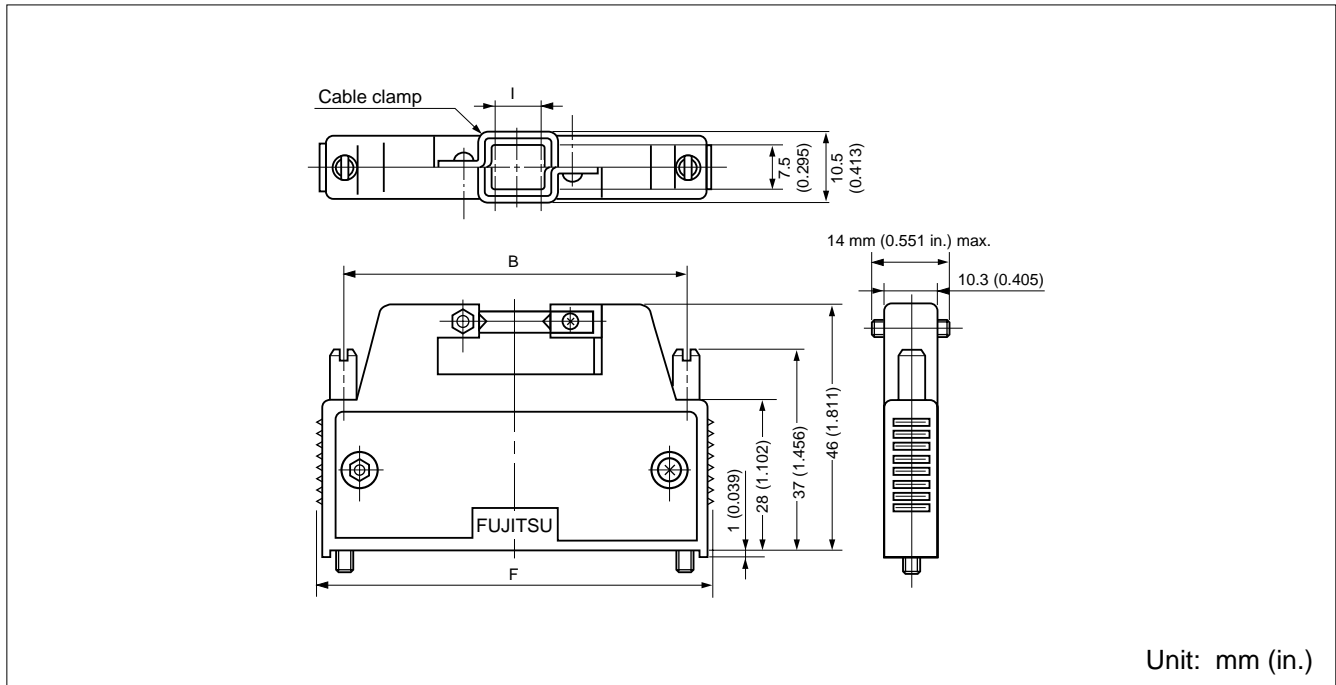


### ■ PART NUMBERS AND DIMENSIONS

| Number of contacts | Part number   | Dimensions: mm (in.) |              |               |
|--------------------|---------------|----------------------|--------------|---------------|
|                    |               | F                    | G            | H             |
| 8                  | FCN-360C008-C | 32.08 (1.262)        | —            | φ 5.7 (0.224) |
| 16                 | FCN-360C016-C | 42.24 (1.662)        | —            | φ 5.7 (0.224) |
| 24                 | FCN-360C024-C | 52.40 (2.062)        | —            | φ 8.0 (0.314) |
| 32                 | FCN-360C032-C | 62.56 (2.462)        | 2.0 (0.078)  | 8.0 (0.314)   |
| 40                 | FCN-360C040-C | 72.72 (2.862)        | 6.0 (0.236)  | 8.0 (0.314)   |
| 48                 | FCN-360C048-C | 82.88 (3.262)        | 10.0 (0.393) | 8.0 (0.314)   |
| 56                 | FCN-360C056-C | 93.04 (3.662)        | 14.0 (0.551) | 8.0 (0.314)   |
| 64                 | FCN-360C064-C | 103.20 (4.062)       | 18.0 (0.708) | 8.0 (0.314)   |

## COVER (WIDE OPENING TYPE) (TYPE D)

### ■ DIMENSIONS



### ■ EXPLODED VIEW



### ■ PART NUMBERS AND DIMENSIONS

| Number of contacts | Part number   | Dimensions: mm (in.) |                |              |
|--------------------|---------------|----------------------|----------------|--------------|
|                    |               | B                    | F              | I            |
| 40                 | FCN-360C040-D | 63.98 (2.518)        | 72.72 (2.862)  | 8.0 (0.314)  |
| 48                 | FCN-360C048-D | 74.14 (2.918)        | 82.88 (3.262)  | 12.0 (0.472) |
| 56                 | FCN-360C056-D | 84.30 (3.318)        | 93.04 (3.662)  | 16.0 (0.629) |
| 64                 | FCN-360C064-D | 94.46 (3.718)        | 103.20 (4.062) | 20.0 (0.789) |

# FCN-360 Series

## COVER (LONG-SCREW TYPE) (TYPE E)

### ■ DIMENSIONS



### ■ EXPLODED VIEW



### ■ PART NUMBERS AND DIMENSIONS

| Number of contacts | Part number   | Dimensions: mm (in.) |                |              |               |
|--------------------|---------------|----------------------|----------------|--------------|---------------|
|                    |               | B                    | F              | G            | H             |
| 8                  | FCN-360C008-E | 23.34 (0.918)        | 32.08 (1.262)  | —            | φ 5.7 (0.224) |
| 16                 | FCN-360C016-E | 33.50 (1.318)        | 42.24 (1.662)  | —            | φ 5.7 (0.224) |
| 24                 | FCN-360C024-E | 43.66 (1.718)        | 52.40 (2.062)  | —            | φ 8.0 (0.314) |
| 32                 | FCN-360C032-E | 53.82 (2.118)        | 62.56 (2.462)  | 2.0 (0.078)  | 8.0 (0.314)   |
| 40                 | FCN-360C040-E | 63.98 (2.518)        | 72.72 (2.862)  | 6.0 (0.236)  | 8.0 (0.314)   |
| 48                 | FCN-360C048-E | 74.14 (2.918)        | 82.88 (3.262)  | 10.0 (0.393) | 8.0 (0.314)   |
| 56                 | FCN-360C056-E | 84.30 (3.318)        | 93.04 (3.662)  | 14.0 (0.551) | 8.0 (0.314)   |
| 64                 | FCN-360C064-E | 94.46 (3.718)        | 103.20 (4.062) | 18.0 (0.708) | 8.0 (0.314)   |

# FCN-360 Series

## COVER (STRAIGHT CABLE-OUT COVER) (TYPE F)

### ■ DIMENSIONS



### ■ EXPLODED VIEW



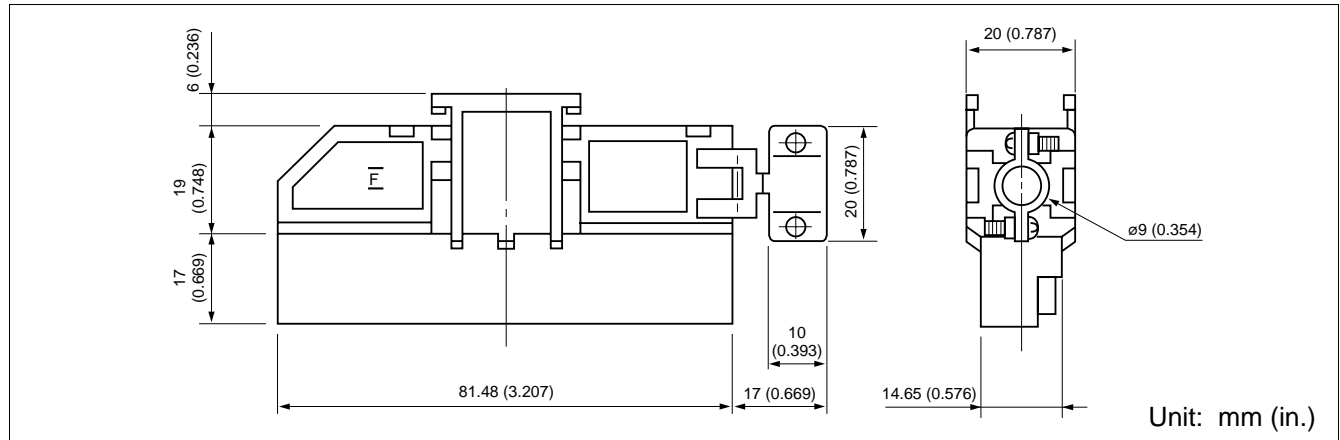
### ■ PART NUMBER

FCN-360C064-F

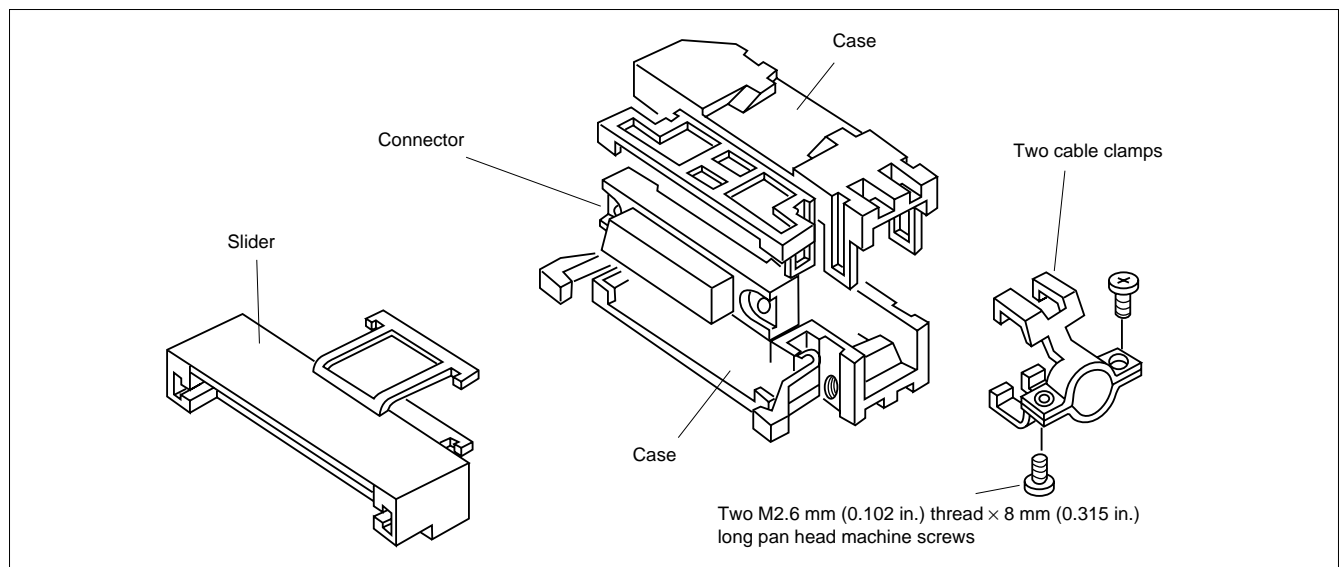
# FCN-360 Series

## COVER (RIGHT ANGLE CABLE-OUT COVER) (TYPE G1)

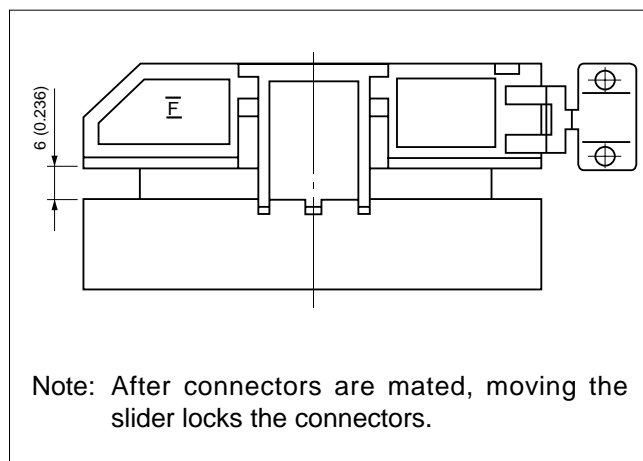
### ■ DIMENSIONS



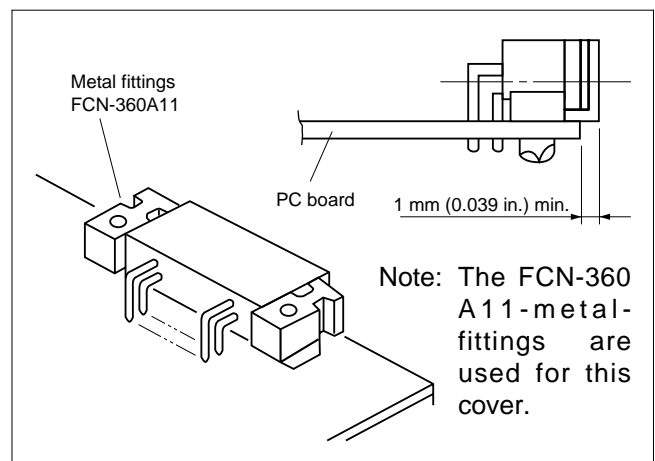
### ■ EXPLODED VIEW



### ■ LOCKED STATE



### ■ METAL FITTINGS



### ■ PART NUMBER

FCN-360C040-G1

# FCN-360 Series

## COVER (RIGHT ANGLE CABLEOUT COVER) (TYPE H/E)

### ■ DIMENSIONS

Material: Zinc die cast

Plating: Nickel plating



Unit: mm (in.)

### ■ EXPLODED VIEW



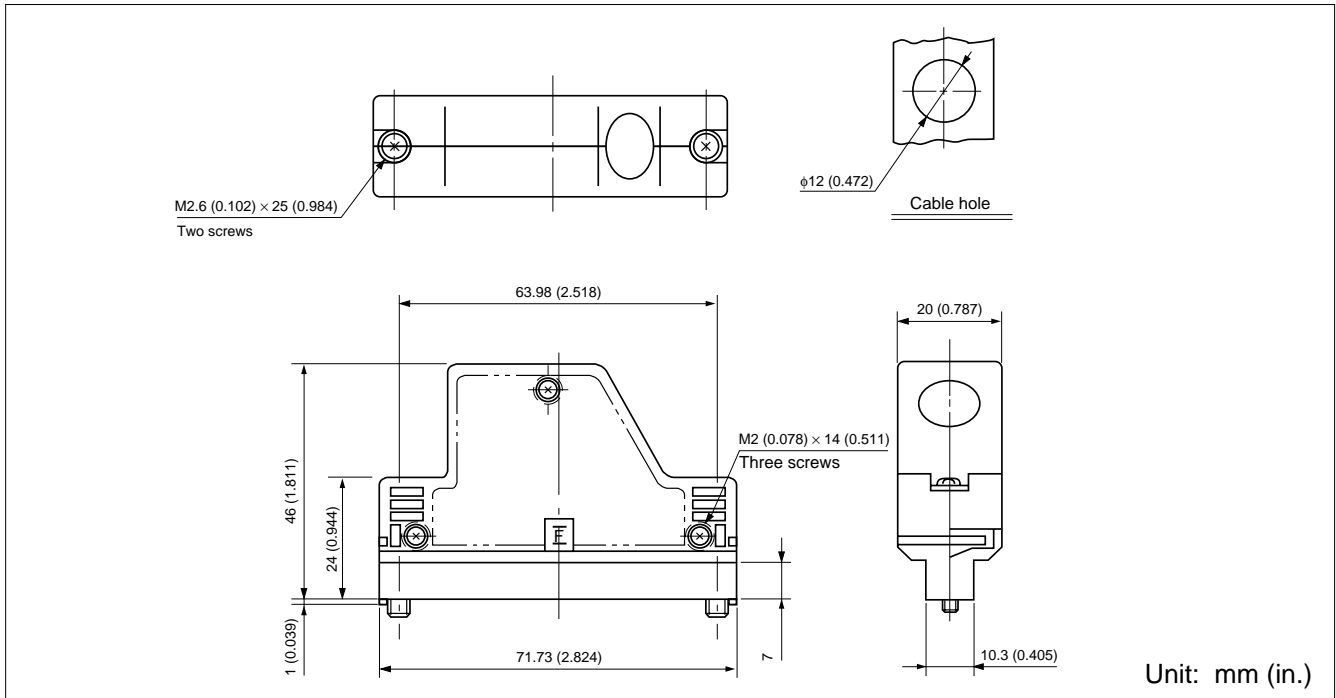
Note: The screws, cable clamp, and lock-screws are attached to the cover.

### ■ PART NUMBER

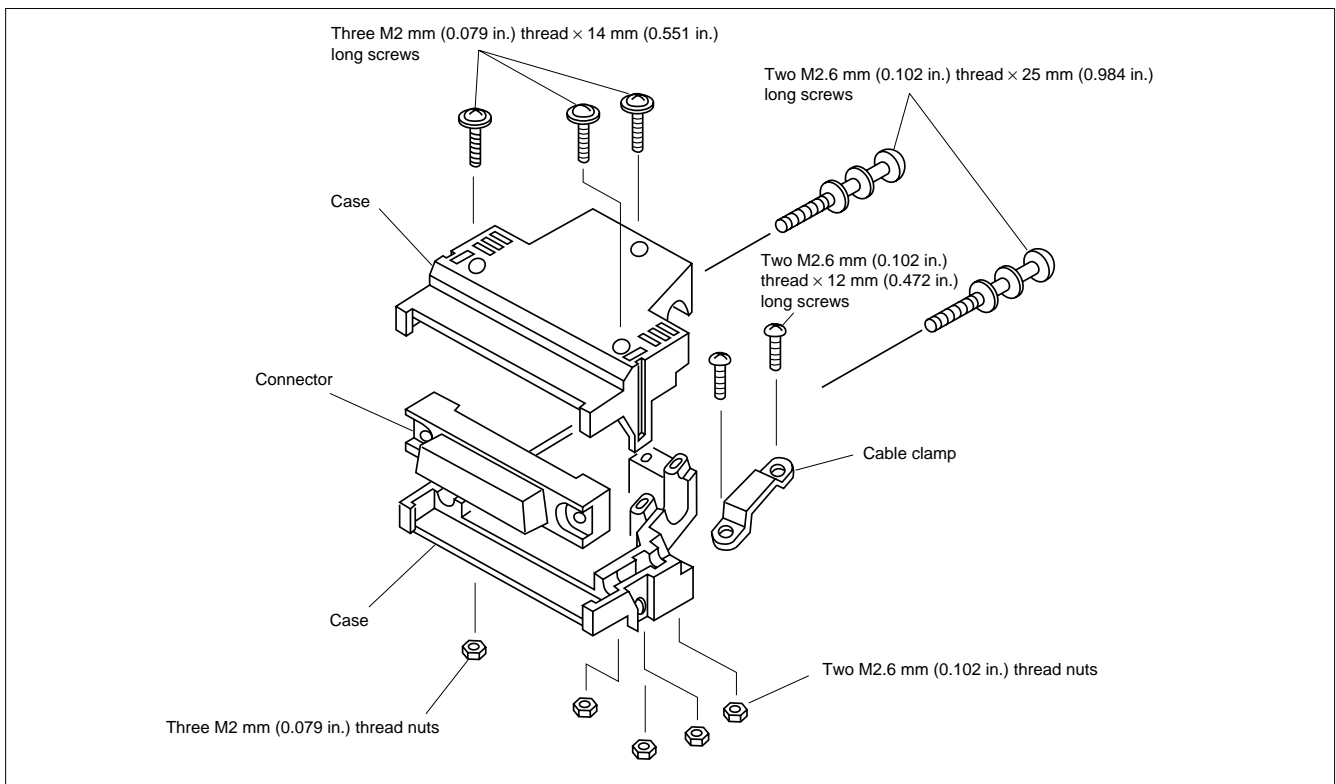
FCN-360C040-H/E

# FCN-360 Series

## COVER (OBTUSE ANGLE CABLE-OUT COVER (40 CONTACTS ONLY)) (TYPE J1) ■ DIMENSIONS



## ■ EXPLODED VIEW



## ■ PART NUMBER

FCN-360C040-J1

# FCN-360 Series

## LOW PROFILE COVER (OBTUSE ANGLE CABLE -OUT) (TYPE J2)

### ■ DIMENSION



### ■ EXPLODED VIEW



### ■ PART NUMBER

FCN-360C024-J2

FCN-360C040-J2



## ACCESSORIES

### ■ MOUNTING SYLE



### ■ SELECTION OF METAL FITTINGS ACCORDING TO COMBINATION OF CONNECTORS AND COVERS

| Jack \ Plug                 |      |                           | Cover mounting side |               |            |               |            |               |            |               |            |               |
|-----------------------------|------|---------------------------|---------------------|---------------|------------|---------------|------------|---------------|------------|---------------|------------|---------------|
|                             |      |                           | 361J                |               | 362J       |               | 363J       |               | 364J       |               | 367J       |               |
|                             |      |                           | With cover          | Without cover | With cover | Without cover | With cover | Without cover | With cover | Without cover | With cover | Without cover |
| Metal fitting mounting side | 361P | Metal fitting part number | FCN-360A4           | FCN-360A5     | FCN-360A4  | FCN-360A5     | FCN-360A4  | FCN-360A5     | FCN-360A4  | FCN-360A5     | —          | FCN-360A5     |
|                             | 362P |                           | FCN-360A1           | FCN-360A6     | FCN-360A1  | FCN-360A6     | FCN-360A1  | FCN-360A6     | FCN-360A1  | FCN-360A6     | —          | FCN-360A6     |
|                             | 364P |                           | FCN-360A1           | FCN-360A6     | FCN-360A1  | FCN-360A6     | FCN-360A1  | FCN-360A6     | FCN-360A1  | FCN-360A6     | —          | FCN-360A6     |
|                             | 365P |                           | FCN-360A2           | FCN-360A3     | FCN-360A2  | FCN-360A3     | FCN-360A2  | FCN-360A3     | FCN-360A2  | FCN-360A3     | —          | FCN-360A3     |

| Jack \ Plug                 |      |                           | Cover mounting side    |               |            |               |            |               |
|-----------------------------|------|---------------------------|------------------------|---------------|------------|---------------|------------|---------------|
|                             |      |                           | 361P                   |               | 361P       |               | 364P       |               |
|                             |      |                           | With cover             | Without cover | With cover | Without cover | With cover | Without cover |
| Metal fitting mounting side | 361J | Metal fitting part number | FCN-360A4              | FCN-360A5     | —          | FCN-360A7     | —          | FCN-360A7     |
|                             | 362J |                           | FCN-360A4              | FCN-360A5     | —          | FCN-360A7     | —          | FCN-360A7     |
|                             | 363J |                           | FCN-360A4              | FCN-360A5     | —          | FCN-360A7     | —          | FCN-360A7     |
|                             | 364J |                           | FCN-360A4              | FCN-360A5     | —          | FCN-360A7     | —          | FCN-360A7     |
|                             | 365J |                           | FCN-360A10 (FCN-360A8) | FCN-360A9     | —          | FCN-360A9     | —          | FCN-360A9     |
|                             | 367J |                           | FCN-360A4              | FCN-360A5     | —          | FCN-360A7     | —          | FCN-360A7     |

Note: When the jack or plug without a cover (shaded part) is used, have M2.6 × 8 mm machine screws ready in order to tighten the connector.

# FCN-360 Series

## SHAPES AND DIMENSIONS OF METAL FITTINGS

### 1. Straight Mounting Metal Fittings

| Shape                 | Symbol | Part number | FCN-360A1   | FCN-360A6   |
|-----------------------|--------|-------------|-------------|-------------|
| <p>Unit: mm (in.)</p> | A      |             | 5.3 (0.208) | 6.3 (0.248) |

### 2. Right-angle Mounting Metal Fittings

| Shape                 | Symbol | Part number | FCN-360A2 | FCN-360A3  |
|-----------------------|--------|-------------|-----------|------------|
| <p>Unit: mm (in.)</p> | B      |             | 3 (0.118) | 4 (0.157)  |
|                       | C      |             | 9 (0.354) | 10 (0.393) |

| Shape                 | Symbol | Part number | FCN-360A8    | FCN-360A9    |
|-----------------------|--------|-------------|--------------|--------------|
| <p>Unit: mm (in.)</p> | B      |             | 5.3 (0.208)  | 6.3 (0.248)  |
|                       | C      |             | 13.3 (0.523) | 14.3 (0.526) |

| Symbol | Part number | FCN-360A10            |
|--------|-------------|-----------------------|
|        |             | <p>Unit: mm (in.)</p> |

| Symbol | Part number | FCN-360A11            |
|--------|-------------|-----------------------|
|        |             | <p>Unit: mm (in.)</p> |

### 3. Straight Mounting Round Metal Fittings

| Shape                 | Symbol | Part number | FCN-360A4   | FCN-360A5   | FCN-360A7   |
|-----------------------|--------|-------------|-------------|-------------|-------------|
| <p>Unit: mm (in.)</p> | D      |             | 7.1 (0.279) | 9.9 (0.389) | 8.1 (0.318) |

Компания «Океан Электроники» предлагает заключение долгосрочных отношений при поставках импортных электронных компонентов на взаимовыгодных условиях!

Наши преимущества:

- Поставка оригинальных импортных электронных компонентов напрямую с производств Америки, Европы и Азии, а так же с крупнейших складов мира;
- Широкая линейка поставок активных и пассивных импортных электронных компонентов (более 30 млн. наименований);
- Поставка сложных, дефицитных, либо снятых с производства позиций;
- Оперативные сроки поставки под заказ (от 5 рабочих дней);
- Экспресс доставка в любую точку России;
- Помощь Конструкторского Отдела и консультации квалифицированных инженеров;
- Техническая поддержка проекта, помощь в подборе аналогов, поставка прототипов;
- Поставка электронных компонентов под контролем ВП;
- Система менеджмента качества сертифицирована по Международному стандарту ISO 9001;
- При необходимости вся продукция военного и аэрокосмического назначения проходит испытания и сертификацию в лаборатории (по согласованию с заказчиком);
- Поставка специализированных компонентов военного и аэрокосмического уровня качества (Xilinx, Altera, Analog Devices, Intersil, Interpoint, Microsemi, Actel, Aeroflex, Peregrine, VPT, Syfer, Eurofarad, Texas Instruments, MS Kennedy, Miteq, Cobham, E2V, MA-COM, Hittite, Mini-Circuits, General Dynamics и др.);

Компания «Океан Электроники» является официальным дистрибьютором и эксклюзивным представителем в России одного из крупнейших производителей разъемов военного и аэрокосмического назначения «**JONHON**», а так же официальным дистрибьютором и эксклюзивным представителем в России производителя высокотехнологичных и надежных решений для передачи СВЧ сигналов «**FORSTAR**».



## JONHON

«**JONHON**» (основан в 1970 г.)

Разъемы специального, военного и аэрокосмического назначения:

(Применяются в военной, авиационной, аэрокосмической, морской, железнодорожной, горно- и нефтедобывающей отраслях промышленности)

«**FORSTAR**» (основан в 1998 г.)

ВЧ соединители, коаксиальные кабели, кабельные сборки и микроволновые компоненты:

(Применяются в телекоммуникациях гражданского и специального назначения, в средствах связи, РЛС, а так же военной, авиационной и аэрокосмической отраслях промышленности).



Телефон: 8 (812) 309-75-97 (многоканальный)

Факс: 8 (812) 320-03-32

Электронная почта: [ocean@oceanchips.ru](mailto:ocean@oceanchips.ru)

Web: <http://oceanchips.ru/>

Адрес: 198099, г. Санкт-Петербург, ул. Калинина, д. 2, корп. 4, лит. А