

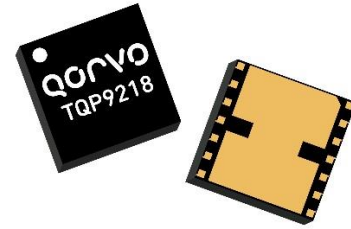
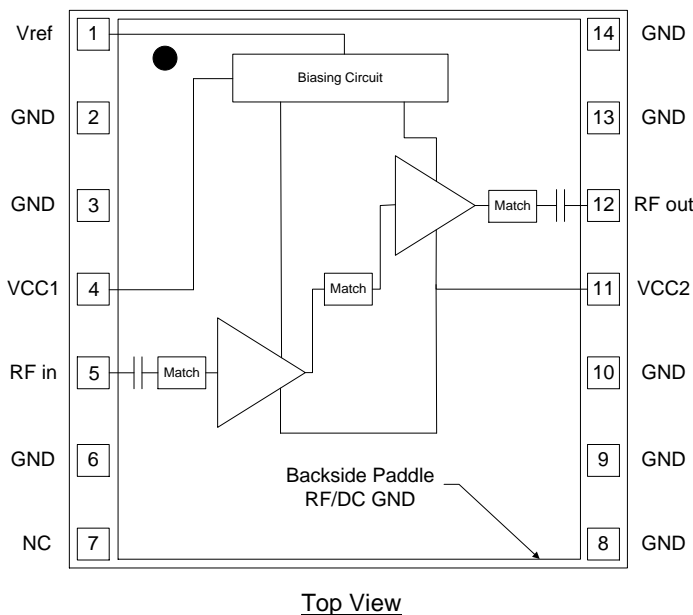
### General Description

The TQP9218 is a high-linearity two-stage power amplifier in a low-cost surface-mount package with on-chip bias control and temperature compensation circuits. The amplifier provides 31.5 dB gain over the 1805 – 1880 MHz frequency range and be utilized without the need of linearization circuitry such as DPD. It is able to achieve -48 dBc ACLR at +24 dBm output power using 20 MHz LTE signal (9.5 dB PAR).

The TQP9218 integrates two high performance amplifier stages onto a module to allow for a compact system design and requires very few external components for operation. The product is bias adjustable allowing the amplifier's power consumption to be optimized and is available in a lead-free/RoHS-compliant 7 x 7 mm surface mount package.

The TQP9218 is targeted for small cell or enterprise Femtocell basestation applications, distributed antenna systems (DAS), repeaters, and/or booster amplifiers.

### Functional Block Diagram



14 Pin 7 x 7 mm Leadless SMT Package

### Product Features

- 1805 – 1880 MHz Frequency Range
- Fully integrated, 2-Stage Power Amplifier
- Internally Matched 50 Ω Input/Output
- -48 dBc ACLR at Pavg = +24 dBm
- 31.5 dB Gain
- 15% PAE at +24 dBm
- >15dB Input / Output return Loss
- 212 mA Quiescent Current
- On-chip Control Bias and Temp. Comp Circuit
- RoHS compliant
- Covers Bands 3, 9

### Applications

- Small Cell / Picocell
- Enterprise Femtocell
- Customer Premises Equipment (CPE)
- Data Cards and Terminals
- Distributed Antenna Systems (DAS)
- Booster Amps, Repeater

### Ordering Information

Part No.	Description
TQP9218	2,500 pieces on a 13" reel (standard)
TQP9218-PCB	1805 –1880 MHz Evaluation Board

### Absolute Maximum Ratings

Parameter	Rating
Storage Temperature	-55 to +150 °C
RF Input Power, CW, 50Ω, T=+25 °C	+13 dBm
Supply Voltage (V <sub>CC</sub> )	6 V
V <sub>REF</sub>	+3.5 V

Exceeding any one or a combination of the Absolute Maximum Rating conditions may cause permanent damage to the device. Extended application of Absolute Maximum Rating conditions to the device may reduce device reliability.

### Electrical Specifications

Parameter	Conditions <sup>(1)</sup>	Min	Typ	Max	Units
Frequency Range		1805		1880	MHz
Test Frequency			1840		MHz
Gain		28.5	31.5	34.5	dB
Input Return Loss		10	17		dB
Output Return Loss		10	16		dB
Output P1dB			+33		dBm
ACLR	P <sub>out</sub> = +24 dBm, 20 MHz LTE E-TM1.1, 9.5 dB PAR		-48	-45	dBc
ACLR	P <sub>out</sub> = +24 dBm, 2X20 MHz LTE E-TM1.1, 9.5 dB PAR		-40		dBc
ACLR	P <sub>out</sub> = +24 dBm, 15 MHz LTE E-TM1.1, 9.5 dB PAR		-52		dBc
ACLR	P <sub>out</sub> = +24 dBm, 10 MHz LTE E-TM1.1, 9.5 dB PAR		-52		dBc
ACLR	P <sub>out</sub> = +24 dBm, 5 MHz LTE E-TM1.1, 9.5 dB PAR		-52		dBc
Efficiency	P <sub>out</sub> = +24 dBm, 20 MHz LTE E-TM1.1, 9.5 dB PAR	13	15.2		%
Spurious Output Level	P <sub>out</sub> = +24 dBm, 10:1 VSWR		<60		dBc
VSWR Survivability	No degradation or failure	10:1			-
Quiescent Current	V <sub>CC1</sub> + V <sub>CC2</sub>	160	212	280	mA
Reference Current	Temp = -40°C to +85°C, V <sub>REF</sub> = +2.85V		6.5	10	mA
Leakage current	V <sub>CC</sub> = +4.5V, V <sub>ref</sub> = 0V		1.5	5	μA
Operational Current	P <sub>out</sub> = +24 dBm		365	460	mA
Switching Speed	10% to 90% Rise time		620		ns
	90% to 10% Fall time		610		ns
Harmonics	2F <sub>0</sub> at +24dBm, CW signal		-43	-38	dBc
	3F <sub>0</sub> at +24dBm, CW signal		-61	-56	dBc
	4F <sub>0</sub> at +24dBm, CW signal		-58	-53	dBc
Thermal Resistance, θ <sub>jc</sub>	Module (junction to case)			37	°C/W

Notes:

1. Test conditions unless otherwise noted: V<sub>CC1</sub> = V<sub>CC2</sub> = +4.5 V, V<sub>REF</sub> = +2.85V, Temp = +25 °C, 50 Ω system.

Parameter	Conditions	-40°C	+25°C	+85°C	Units
Gain	Small Signal	33.0	31.5	30.0	dB
ACLR	P <sub>OUT</sub> = +24 dBm, 20 MHz LTE E-TM1.1, 9.5dB PAR	-50	-48	-46	dBc
PAE	P <sub>OUT</sub> = +24 dBm, 20 MHz LTE E-TM1.1, 9.5dB PAR	16	15	14	%

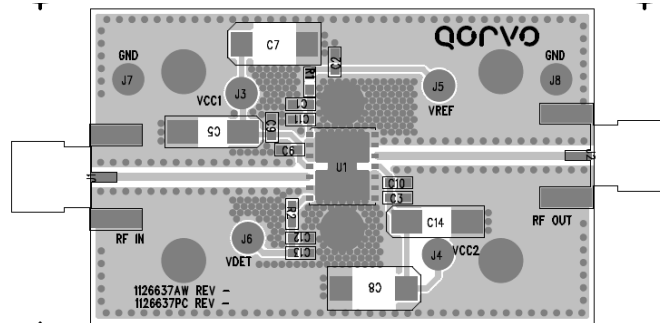
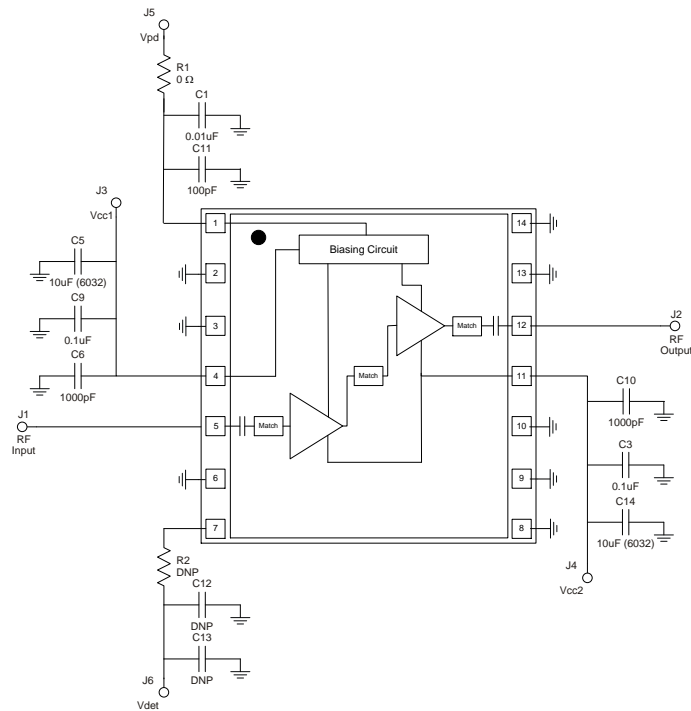
Test Frequency = 1840MHz

### Recommended Operating Conditions

Parameter	Min	Typ	Max	Units
V <sub>CC1</sub> , V <sub>CC2</sub>	+3.6	+4.5	+5.25	V
V <sub>ref</sub>	+2.75	+2.85	+2.95	V
T <sub>CASE</sub>	-40		+85	°C
T <sub>j</sub> at T <sub>CASE</sub> max			+165	°C

Electrical specifications are measured at specified test conditions. Specifications are not guaranteed over all recommended operating conditions.

### Evaluation Board – TQP9218-PCB



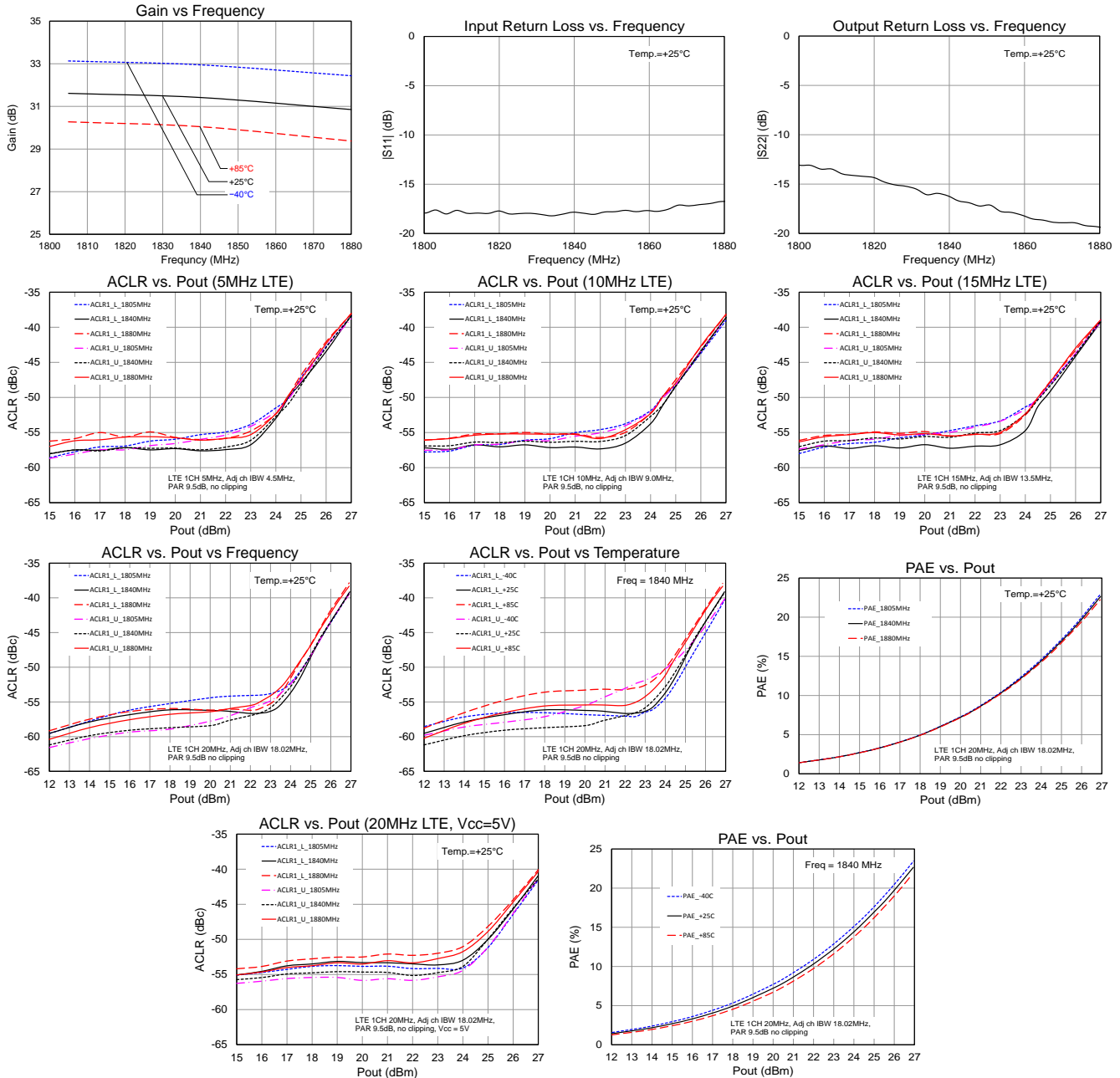
### Bill of Material – TQP9218-PCB

Reference Des.	Value	Description	Manuf.	Part Number
n/a	n/a	Printed Circuit Board		
U1	n/a	High Linearity 0.25 W Power Amplifier	Qorvo	TQP9218
R1	0 Ω	Resistor, Chip, 0603, 5%	various	
C1	0.01 uF	Capacitor, Chip, 0603, 5%	various	
C11	100 pF	Capacitor, Chip, 0603, 5%	various	
C3, C9	0.1 uF	Capacitor, Chip, 0603, 5%	various	
C5, C14	10 uF	Capacitor, Chip, 6032, 10%, Tantalum	various	
C6, C10	1000 pF	Capacitor, Chip, 0603, NPO/COG, 5%	various	

Vcc1=Vcc2=4.5V, Pout=24.5dBm, Signal PAR=9.5dB, F = 1840MHz					
LTE signal BW	5MHz	10MHz	15MHz	20MHz	Units
ACLR1-Low	-50.0	-51.5	-51.5	-51.5	dBc
ACLR1-high	-51.5	-51.5	-50.0	-50.5	dBc

### Performance Plots – TQP9218-PCB

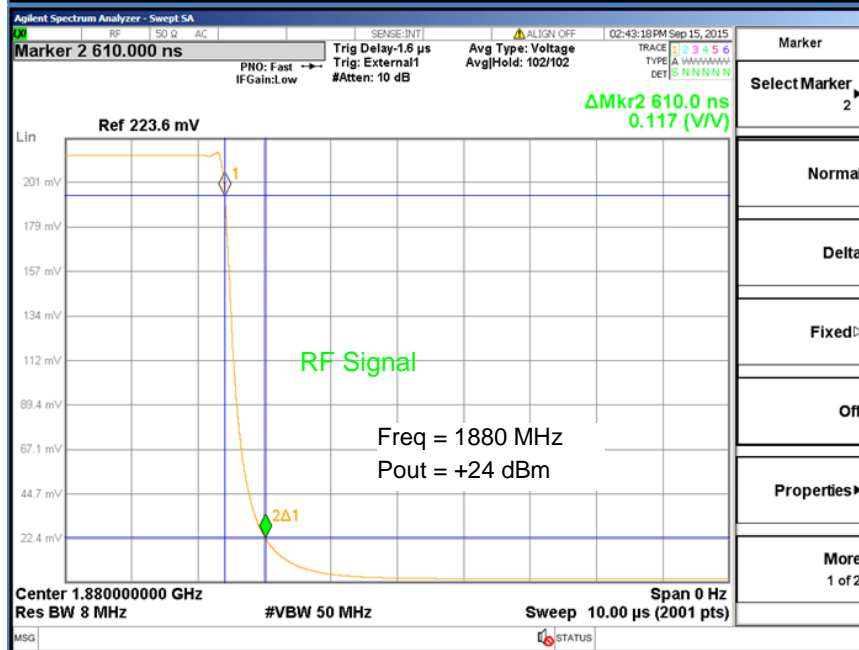
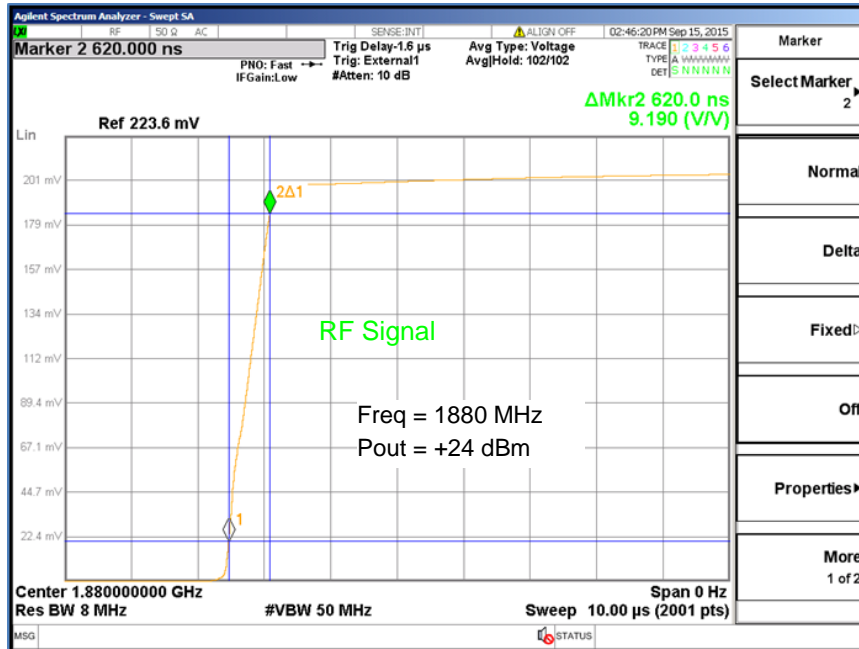
Test conditions unless otherwise noted:  $V_{CC1} = V_{CC2} = +4.5V$ ,  $V_{REF} = +2.85V$ ,  $I_{CQ} = 212mA$ ,  $I_{REF} = 6.5mA$ ,  $Temp. = +25^{\circ}C$



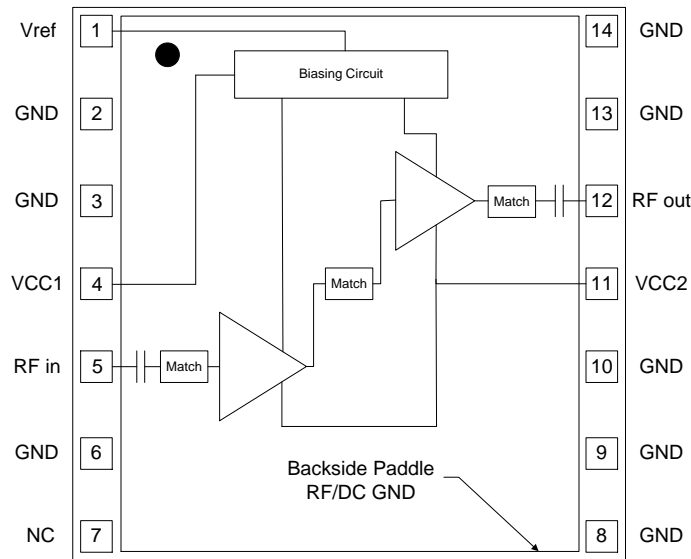
### Switching Speed

#### Switching Speed Measurement based on TQP9218 Application Board Using Shutdown Circuit: $V_{REF}=2.85V$ , $V_{CC}=4.5V$ , $C_1=NL$

Parameter	
Turn-on Transition (10% RF – 90% RF)	620nS
Turn-off Transition (90% RF – 10% RF)	610nS



### Pin Configuration and Description

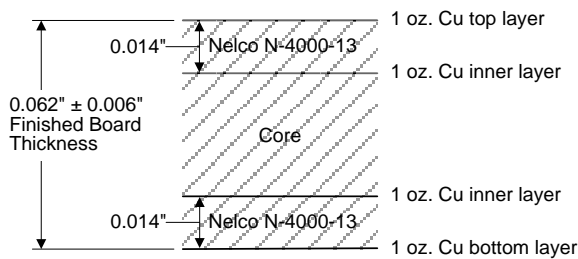


Top View

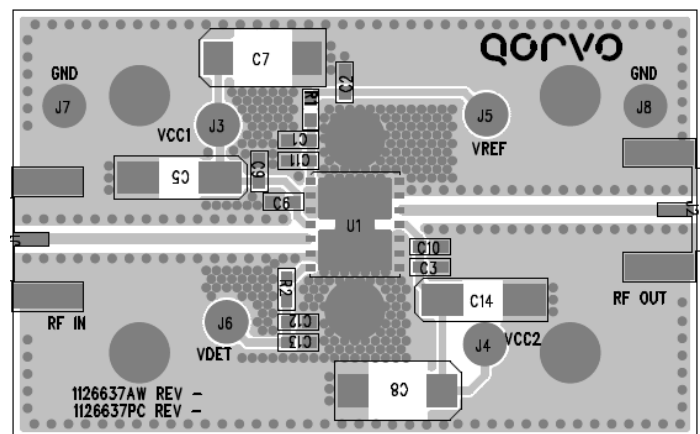
Pad No.	Label	Description
1	V <sub>REF</sub>	Sets the bias current for the amplifiers. It can also be used to power down the device.
2, 3, 6, 8, 9, 10, 13, 14	GND	RF and DC ground.
4	V <sub>CC1</sub>	Voltage supply for the active bias circuitry.
5	RFin	RF input pin. The DC is internally blocked at this pin.
7	NC	No internal connection.
11	V <sub>CC2</sub>	DC voltage supply connection for AMP1 and AMP2.
12	RFout	RF output pin. The DC is internally blocked at this pin.
Backside Paddle	RF/DC GND	RF/DC ground. See PCB Mounting Pattern for suggested footprint.

### Evaluation Board PCB Information

#### Qorvo PCB 1126637 Material and Stack-up

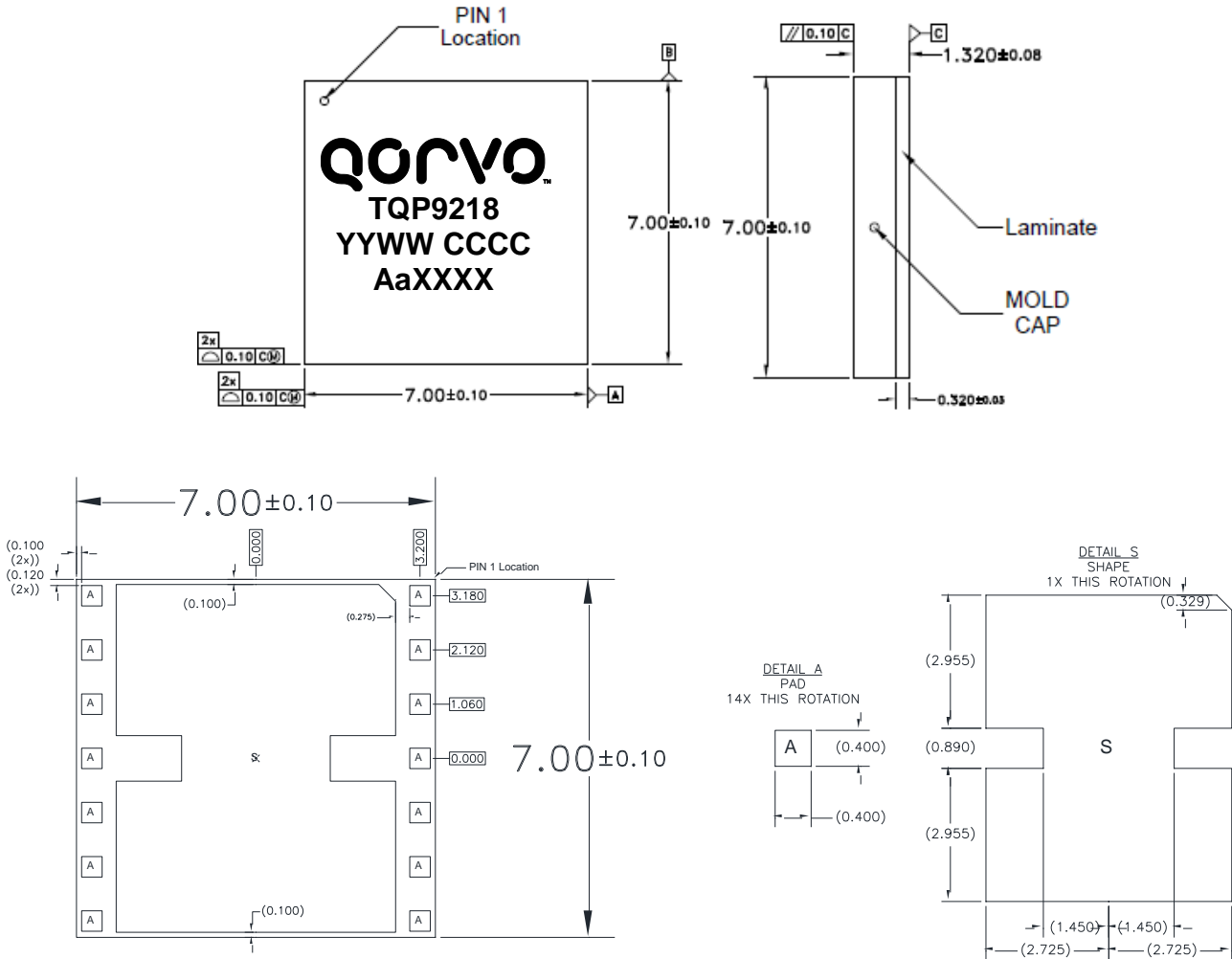


50 ohm line dimensions: width = .028"  
spacing = .028".



### Package Marking and Dimensions

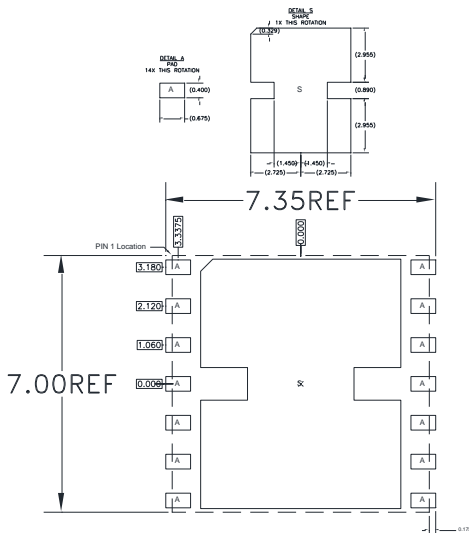
Marking: Part number – TQP9218  
 Assembly Code – YYWW  
 Country Code - CCCC  
 Lot code – AaXXXX



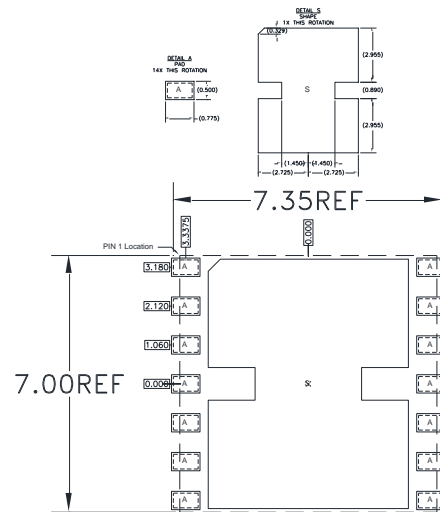
**Notes:**

1. All dimensions are in millimeters. Angles are in degrees.
2. Dimension and tolerance formats conform to ASME Y14.4M-1994.
3. The terminal #1 identifier and terminal numbering conform to JESD 95-1 SPP-012.

### PCB Mounting Pattern



RECOMMENDED  
LAND PATTERN



RECOMMENDED  
LAND PATTERN MASK

Notes:

1. All dimensions are in millimeters. Angles are in degrees.
2. Use 1 oz. copper minimum for top and bottom layer metal.
3. Vias are required under the backside paddle of this device for proper RF/DC grounding and thermal dissipation. We recommend a 0.35mm (#80/.0135") diameter bit for drilling via holes and a final plated thru diameter of 0.25 mm (0.10").
4. Ensure good package backside paddle solder attach for reliable operation and best electrical performance.



### Handling Precautions

Parameter	Rating	Standard
ESD – Human Body Model (HBM)	Class 2	ESDA / JEDEC JS-001-2012
ESD – Charged Device Model (CDM)	Class C3	JEDEC JESD22-C101F
MSL – Moisture Sensitivity Level	Level 3	IPC/JEDEC J-STD-020



Caution!  
ESD-Sensitive Device

### Solderability

Compatible with both lead-free (260°C max. reflow temp.) and tin/lead (245°C max. reflow temp.) soldering processes. Solder profiles available upon request.

Contact plating: Electrolytic plated Au over Ni

### RoHS Compliance

This part is compliant with EU 2011/65/EU RoHS directive (Restrictions on the Use of Certain Hazardous Substances in Electrical and Electronic Equipment) as amended by Directive 2015/863/EU. This product also has the following attributes:

- Product uses RoHS Exemption 7c-I to meet RoHS Compliance requirements
- Halogen Free (Chlorine, Bromine)
- Antimony Free
- TBBP-A (C<sub>15</sub>H<sub>12</sub>Br<sub>4</sub>O<sub>2</sub>) Free
- PFOS Free
- SVHC Free

### Contact Information

For the latest specifications, additional product information, worldwide sales and distribution locations:

Tel: 1-844-890-8163

Web: [www.qorvo.com](http://www.qorvo.com)

Email: [customer.support@qorvo.com](mailto:customer.support@qorvo.com)

For technical questions and application information: Email: [appsupport@qorvo.com](mailto:appsupport@qorvo.com)

### Important Notice

The information contained herein is believed to be reliable; however, Qorvo makes no warranties regarding the information contained herein and assumes no responsibility or liability whatsoever for the use of the information contained herein. All information contained herein is subject to change without notice. Customers should obtain and verify the latest relevant information before placing orders for Qorvo products. The information contained herein or any use of such information does not grant, explicitly or implicitly, to any party any patent rights, licenses, or any other intellectual property rights, whether with regard to such information itself or anything described by such information. **THIS INFORMATION DOES NOT CONSTITUTE A WARRANTY WITH RESPECT TO THE PRODUCTS DESCRIBED HEREIN, AND QORVO HEREBY DISCLAIMS ANY AND ALL WARRANTIES WITH RESPECT TO SUCH PRODUCTS WHETHER EXPRESS OR IMPLIED BY LAW, COURSE OF DEALING, COURSE OF PERFORMANCE, USAGE OF TRADE OR OTHERWISE, INCLUDING THE IMPLIED WARRANTIES OF MERCHANTABILITY AND FITNESS FOR A PARTICULAR PURPOSE.**

Without limiting the generality of the foregoing, Qorvo products are not warranted or authorized for use as critical components in medical, life-saving, or life-sustaining applications, or other applications where a failure would reasonably be expected to cause severe personal injury or death.

Copyright 2016 © Qorvo, Inc. | Qorvo is a registered trademark of Qorvo, Inc.

Компания «Океан Электроники» предлагает заключение долгосрочных отношений при поставках импортных электронных компонентов на взаимовыгодных условиях!

Наши преимущества:

- Поставка оригинальных импортных электронных компонентов напрямую с производств Америки, Европы и Азии, а так же с крупнейших складов мира;
- Широкая линейка поставок активных и пассивных импортных электронных компонентов (более 30 млн. наименований);
- Поставка сложных, дефицитных, либо снятых с производства позиций;
- Оперативные сроки поставки под заказ (от 5 рабочих дней);
- Экспресс доставка в любую точку России;
- Помощь Конструкторского Отдела и консультации квалифицированных инженеров;
- Техническая поддержка проекта, помощь в подборе аналогов, поставка прототипов;
- Поставка электронных компонентов под контролем ВП;
- Система менеджмента качества сертифицирована по Международному стандарту ISO 9001;
- При необходимости вся продукция военного и аэрокосмического назначения проходит испытания и сертификацию в лаборатории (по согласованию с заказчиком);
- Поставка специализированных компонентов военного и аэрокосмического уровня качества (Xilinx, Altera, Analog Devices, Intersil, Interpoint, Microsemi, Actel, Aeroflex, Peregrine, VPT, Syfer, Eurofarad, Texas Instruments, MS Kennedy, Miteq, Cobham, E2V, MA-COM, Hittite, Mini-Circuits, General Dynamics и др.);

Компания «Океан Электроники» является официальным дистрибьютором и эксклюзивным представителем в России одного из крупнейших производителей разъемов военного и аэрокосмического назначения «JONHON», а так же официальным дистрибьютором и эксклюзивным представителем в России производителя высокотехнологичных и надежных решений для передачи СВЧ сигналов «FORSTAR».



## JONHON

«JONHON» (основан в 1970 г.)

Разъемы специального, военного и аэрокосмического назначения:

(Применяются в военной, авиационной, аэрокосмической, морской, железнодорожной, горно- и нефтедобывающей отраслях промышленности)

«FORSTAR» (основан в 1998 г.)

ВЧ соединители, коаксиальные кабели,  
кабельные сборки и микроволновые компоненты:

(Применяются в телекоммуникациях гражданского и специального назначения, в средствах связи, РЛС, а так же военной, авиационной и аэрокосмической отраслях промышленности).



Телефон: 8 (812) 309-75-97 (многоканальный)

Факс: 8 (812) 320-03-32

Электронная почта: [ocean@oceanchips.ru](mailto:ocean@oceanchips.ru)

Web: <http://oceanchips.ru/>

Адрес: 198099, г. Санкт-Петербург, ул. Калинина, д. 2, корп. 4, лит. А