

General Description

The IDT8T49N4451 is a quad PLL with FemtoClock® NG technology. The IDT8T49N4451 integrates low phase noise Frequency Translation / Synthesizer and jitter attenuation. It includes alarm and monitoring functions suitable for networking and communications applications. The device has four fully independent PLLs, each PLL is able to generate any output frequency in the 0.98MHz - 312.5MHz range and most output frequencies in the 312.5MHz - 1,300MHz range (see Table 3 for details). A wide range of input reference clocks may be used as the source for the output frequency.

Each PLL of IDT8T49N4451 has three operating modes to support a very broad spectrum of applications:

1) Frequency Synthesizer

- Synthesizes output frequencies from an external reference clock REFCLK.
- Fractional feedback division is used, so there are no requirements for any specific input reference clock frequency to produce the desired output frequency with a high degree of accuracy.

2) High-Bandwidth Frequency Translator

- Applications: PCI Express, Computing, General Purpose
- Translates any input clock in the 16MHz - 710MHz frequency range into any supported output frequency.
- This mode has a high PLL loop bandwidth in order to track input reference changes, such as Spread-Spectrum Clock modulation.

3) Low-Bandwidth Frequency Translator

- Applications: Networking & Communications.
- Translates any input clock in the 8kHz - 710MHz frequency range into any supported output frequency.
- This mode supports PLL loop bandwidths in the 10Hz - 580Hz range and makes use of an external reference clock REFCLK to provide significant jitter attenuation.

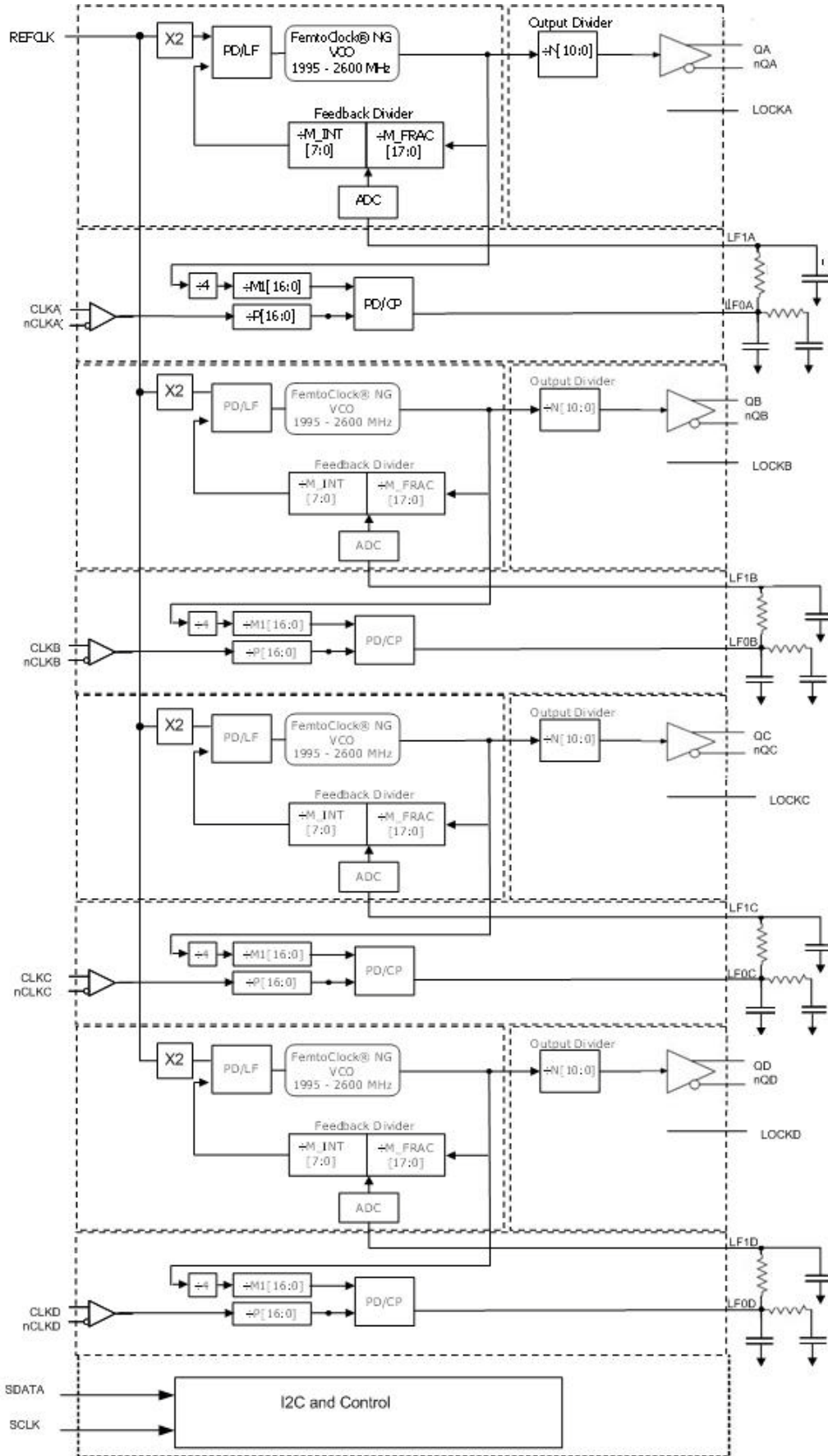
Each PLL provides factory-programmed default power-up configuration burned into One-Time Programmable (OTP) memory. The configuration is specified by the customer and are programmed by IDT during the final test phase from an on-hand stock of blank devices.

To implement other configurations, these power-up default settings can be overwritten after power-up using the I²C interface and the device can be completely reconfigured.

Features

- Fourth generation FemtoClock® NG technology
- Four fully independent PLLs
- Universal Frequency Translator™ Frequency Synthesizer and Jitter attenuator
- Output is programmable as LVPECL or LVDS
- Programmable output frequency: 0.98MHz up to 1,300MHz
- Differential inputs support the following input types: LVPECL, LVDS, LVHSTL, HCSL
- Input frequency range: 8kHz - 710MHz (Low-Bandwidth mode)
- Input frequency range: 16kHz - 710MHz (High-Bandwidth mode)
- REFCLK frequency range: 16MHz - 40MHz
- Input clock monitor on each PLL will smoothly switch between redundant input references
- Operation reference frequency range: 16MHz - 40MHz
- Input clock monitor and alarm
- Factory-set register configuration for power-up default state
- Power-up default configuration
- Configuration customized via One-Time Programmable ROM
- Settings may be overwritten after power-up via I²C
- I²C Serial interface for register programming
- RMS phase jitter at 161.1328125MHz, using 40MHz REFCLK (12kHz - 20MHz): 465fs (typical), Low Bandwidth Mode (FracN)
- RMS phase jitter at 400MHz, using 40MHz REFCLK (12kHz - 20MHz): 333fs (typical), synthesizer Mode (integer FB)
- Full 2.5V supply mode
- -40°C to 85°C ambient operating temperature
- 10mm X 10mm CABGA
- Lead-free (RoHS 6) packaging

Complete Block Diagram



Pin Description and Pin Characteristic Tables

Table 1. Pin Description Table

Number	Name	Type		Description
E5	REFCLK	Input	Pulldown	Reference clock for device operation. LVCMOS/LVTTL interface levels.
C2	CLKA	Input	Pulldown	Non-inverting differential clock input.
D2	nCLKA	Input	Pullup/ Pulldown	Inverting differential clock input. $V_{CC}/2$ default when left floating (set by the internal pullup and pulldown resistors).
B7	CLKB	Input	Pulldown	Non-inverting differential clock input.
B6	nCLKB	Input	Pullup/ Pulldown	Inverting differential clock input. $V_{CC}/2$ default when left floating (set by the internal pullup and pulldown resistors).
G8	CLKC	Input	Pulldown	Non-inverting differential clock input.
F8	nCLKC	Input	Pullup/ Pulldown	Inverting differential clock input. $V_{CC}/2$ default when left floating (set by the internal pullup and pulldown resistors).
H3	CLKD	Input	Pulldown	Non-inverting differential clock input.
H4	nCLKD	Input	Pullup/ Pulldown	Inverting differential clock input. $V_{CC}/2$ default when left floating (set by the internal pullup and pulldown resistors).
B1, A2	QA, nQA	Output		Differential output. Output type is programmable to LVDS or LVPECL interface levels.
A9, B9	QB, nQB	Output		Differential output. Output type is programmable to LVDS or LVPECL interface levels.
J9, J8	QC, nQC	Output		Differential output. Output type is programmable to LVDS or LVPECL interface levels.
J1, H1	QD, nQD	Output		Differential output. Output type is programmable to LVDS or LVPECL interface levels.
A4, A5	LF0A, LF1A	Analog I/O		Loop filter connection node pins. LF0A is the output, LF1A is the input.
D9, E9	LF0B, LF1B	Analog I/O		Loop filter connection node pins. LF0B is the output, LF1B is the input.
J6, J5	LF0C, LF1C	Analog I/O		Loop filter connection node pins. LF0C is the output, LF1C is the input.
F1, E1	LF0D, LF1D	Analog I/O		Loop filter connection node pins. LF0D is the output, LF1D is the input.
E2	LOCKA	Output		Lock Indicator - indicates that the PLL is in a locked condition. LVCMOS/LVTTL interface levels.
C5	LOCKB	Output		Lock Indicator - indicates that the PLL is in a locked condition. LVCMOS/LVTTL interface levels.
E8	LOCKC	Output		Lock Indicator - indicates that the PLL is in a locked condition. LVCMOS/LVTTL interface levels.
H5	LOCKD	Output		Lock Indicator - indicates that the PLL is in a locked condition. LVCMOS/LVTTL interface levels.
G6	SDATA	I/O	Pullup	I ² C Data Input/Output. Open drain. LVCMOS/LVTTL interface levels.
G5	SCLK	Input	Pullup	I ² C Clock Input. LVCMOS/LVTTL interface levels.
C1	V_{CCA_A}	Power		Analog power supply for PLLA.
C4	V_{CCO_A}	Power		Output power supply for PLLA.
B5	V_{CC_A}	Power		Core power supply for PLLA.
A7	V_{CCA_B}	Power		Analog power supply for PLLB.
D5	V_{CCO_B}	Power		Output power supply for PLLB.

Table 1. Pin Description Table

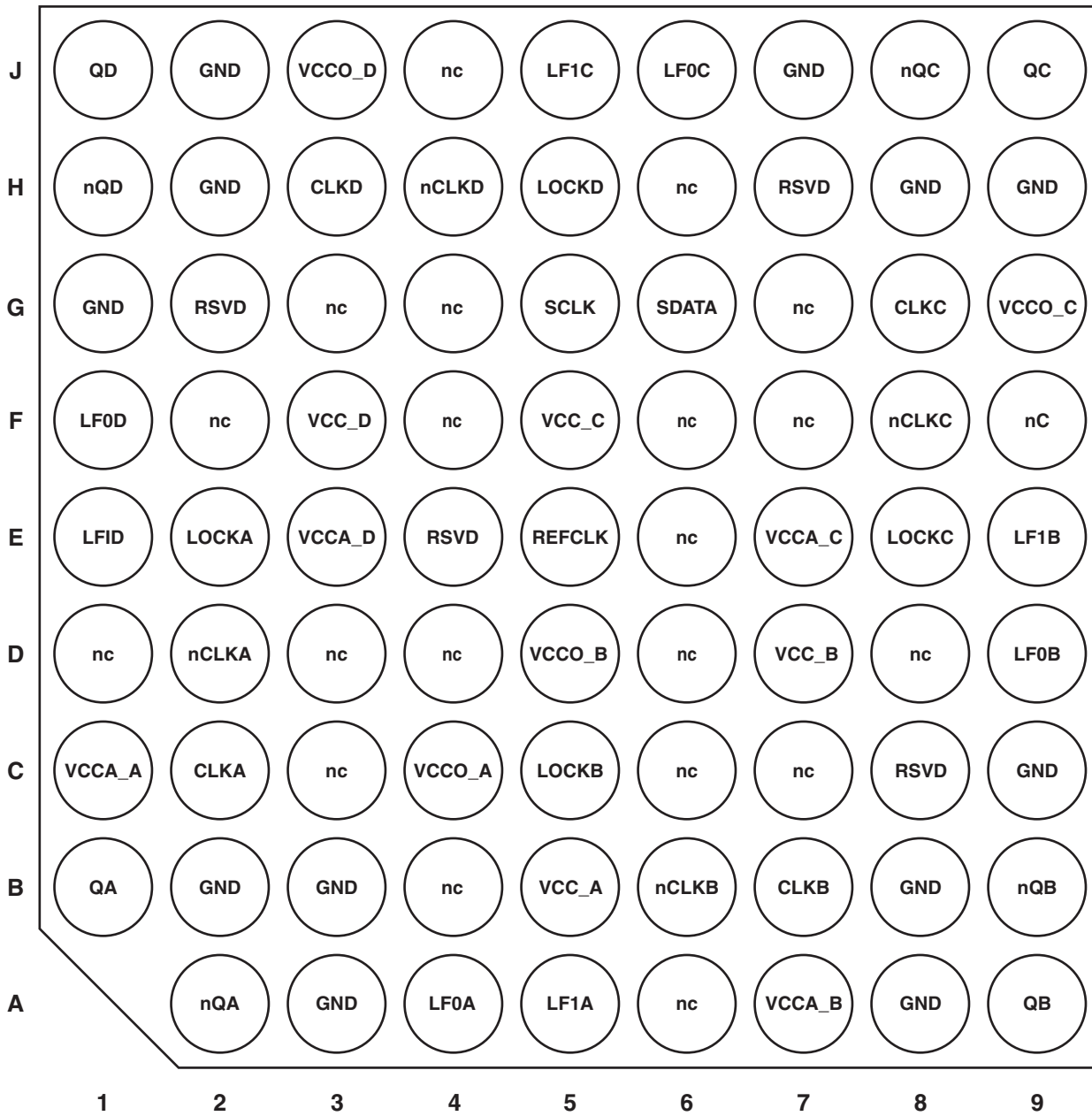
Number	Name	Type		Description
D7	V _{CC_B}	Power		Core power supply for PLLB.
E7	V _{CCA_C}	Power		Analog power supply for PLLC.
G9	V _{CCO_C}	Power		Output power supply for PLLC.
F5	V _{CC_C}	Power		Core power supply for PLLC.
E3	V _{CCA_D}	Power		Analog power supply for PLLD.
J3	V _{CCO_D}	Power		Output power supply for PLLD.
F3	V _{CC_D}	Power		Core power supply for PLLD.
A3, B2, B3	V _{EE_A}	Power		Negative supply for PLLA.
A8, B8, C9	V _{EE_B}	Power		Negative supply for PLLB.
H8, H9, J7	V _{EE_C}	Power		Negative supply for PLLC.
G1, H2, J2	V _{EE_D}	Power		Negative supply for PLLD.
A6, B4, C3, C6, C7, D1, D3, D4, D6, D8, F2, F4, F6, F7, F9, G3, G4, G7,	nc	Unused		No connect. These pins are to be left unconnected.
E6	Rsvd	Input		Reserved, connect to V _{EE} .
E4	Rsvd	Input		Reserved, connect to V _{EE} .
C8	Rsvd	Input		Reserved, connect to V _{EE} .
H7	Rsvd	Input		Reserved, connect to V _{EE} .
G2	Rsvd	Input		Reserved, connect to V _{EE} .

NOTE: *Pullup* and *Pulldown* refer to internal input resistors. See Table 2, *Pin Characteristics*, for typical values.

Table 2. Pin Characteristics

Symbol	Parameter		Test Conditions	Minimum	Typical	Maximum	Units
C _{IN}	Input Capacitance				3.5		pF
R _{PULLUP}	Input Pullup Resistor				51		kΩ
R _{PULLDOWN}	Input Pulldown Resistor				51		kΩ
R _{PULLDOWN}	Input Pulldown Resistor	REFCLK			12.5		kΩ
R _{PULLUP}	Input Pullup Resistor	SDATA, SCLK			12.5		kΩ

Pin Assignment



IDT8T49N445I Pin Map

80-Ball Lead
 10mm x 10mm x1mm package body
 CABGA Package
 (bottom view)

Functional Description

The IDT8T49N445I is a 4-PLL device. The 4 PLLs are fully independent and identical. Each PLL can generate desired output frequency (0.98 - 1300MHz) from any input source in the operating range (8kHz - 710MHz). It is capable of synthesizing frequencies from REFCLK source. The output frequency is generated regardless of the relationship to the input frequency. Each PLL of IDT8T49N445I can translate the desired output frequency from input clock. In this frequency translation mode, a low-bandwidth, jitter attenuation option is available that makes use of an external fixed-frequency REFCLK to translate from a noisy input source. If the input clock is known to be fairly clean or if some modulation on the input needs to be tracked, then the high-bandwidth frequency translation mode can be used, without the need for the external clock source.

The input clock references and REFCLK input are monitored continuously and appropriate alarm outputs are raised by register bits and hard-wired pins in the event of any out-of-specification conditions arising.

Each PLL of IDT8T49N445I has factory-programmed configuration as the default operating state after reset. These defaults may be over-written by I²C register access at any time, but those over-written settings will be lost on power-down. Please contact IDT if a specific set of power-up default settings is desired.

The following sections apply individually to each PLL. Signal and register bit names have a lowercase 'x' on the end where 'x' should be 'A', 'B', 'C' or 'D' as appropriate for the PLL being controlled.

Operating Modes

Each PLL of IDT8T49N445I has three operating modes which are set by the MODE_SEL[1:0] bits. There are two frequency translator modes - low bandwidth and high bandwidth and a frequency synthesizer mode.

Please make use of IDT-provided configuration applications to determine the best operating settings for the desired configuration of the device.

Output Dividers & Supported Output Frequencies

The internal VCO is capable of operating in a range anywhere from 1.995GHz - 2.6GHz. It is necessary to choose an integer multiplier of the desired output frequency that results in a VCO operating frequency within that range. The output divider stage N[10:0] is limited to selection of integers from 2 to 2046. Please refer to Table 3 for the values of N applicable to the desired output frequency.

Table 3. Output Divider Settings & Frequency Ranges

Register Setting	Frequency Divider	Minimum f _{OUT}	Maximum f _{OUT}
Nn[10:0]	N	(MHz)	(MHz)
000000000x	2	997.5	1300
0000000010	2	997.5	1300
0000000011	3	665	866.7
0000000100	4	498.75	650
0000000101	5	399	520
000000011x	6	332.5	433.3
000000100x	8	249.4	325
000000101x	10	199.5	260
000000110x	12	166.3	216.7
000000111x	14	142.5	185.7
0000001000x	16	124.7	162.5
0000001001x	18	110.8	144.4
...	Even N	1995 / N	2600 / N
1111111111x	2046	0.98	1.27

Frequency Synthesizer Mode

This mode of operation allows an arbitrary output frequency to be generated from a external clock source. For improved phase noise performance, this input frequency is doubled. As can be seen from the block diagram in *Figure 1*, only the upper feedback loop is used in this mode of operation. It is recommended that CLK be left unused in this mode of operation.

The upper feedback loop supports a delta-sigma fractional feedback divider. This allows the VCO operating frequency to be a non-integer multiple of the REFCLK frequency. By using an integer multiple only, lower phase noise jitter on the output can be achieved, however the use of the delta-sigma divider logic will provide excellent performance on the output if a fractional divisor is used.

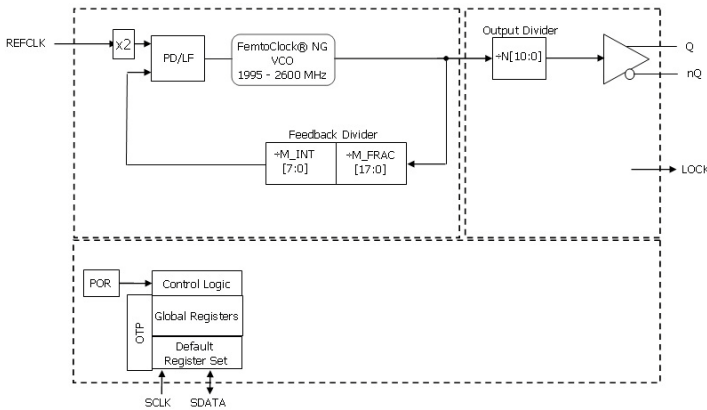


Figure 1. Frequency Synthesizer Mode Block Diagram

High-Bandwidth Frequency Translator Mode

This mode of operation is used to translate input clock of the same nominal frequency into an output frequency with little jitter attenuation. As can be seen from the block diagram in *Figure 2*, similarly to the Frequency Synthesizer mode, only the upper feedback loop is used.

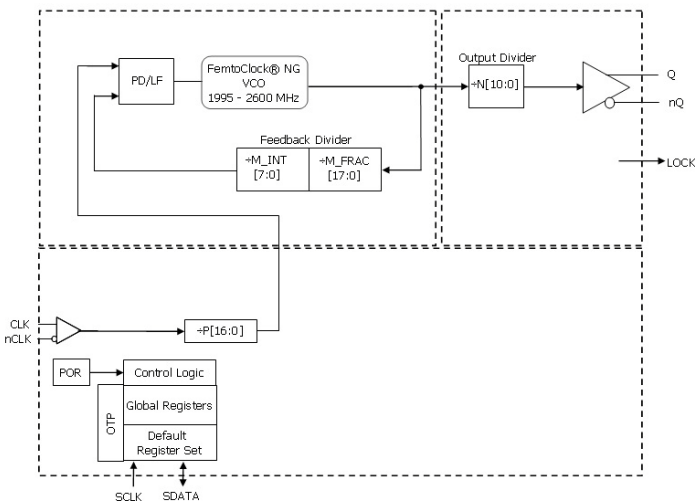


Figure 2. High Bandwidth Frequency Translator Mode Block Diagram

The input reference frequency range is now extended up to 710MHz. A pre-divider stage P is needed to keep the operating frequencies at the phase detector within limits.

Low-Bandwidth Frequency Translator Mode

As can be seen from the block diagram in *Figure 3*, this mode involves two PLL loops. The lower loop with the large integer dividers is the low bandwidth loop and it sets the output-to-input frequency translation ratio. This loop drives the upper DCXO loop (digitally controlled crystal oscillator) via an analog-digital converter.

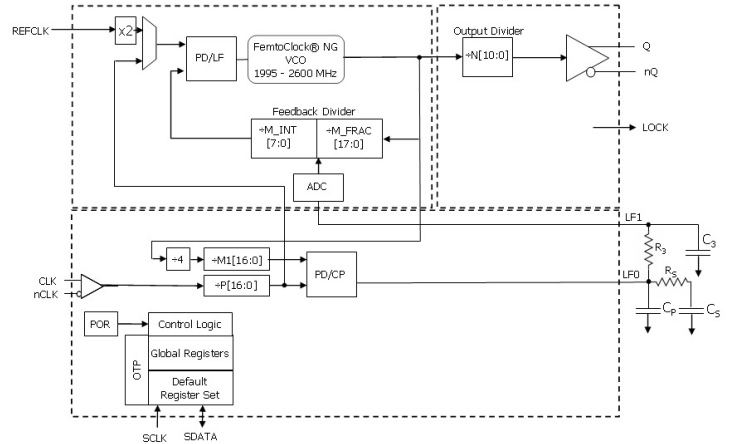


Figure 3. Low Bandwidth Frequency Translator Mode Block Diagram

The phase detector of the lower loop is designed to work with frequencies in the 8kHz - 16kHz range. The pre-divider stage is used to scale down the input frequency by an integer value to achieve a frequency in this range. By dividing down the feedback VCO operating frequency by the integer divider M1[18:0] to as close as possible to the same frequency, exact output frequency translations can be achieved.

Alarm Conditions & Status Bits

Each PLL of IDT8T49N445I monitors a number of conditions and reports their status via both output pins and/or register bits. All alarms will behave as indicated below in all modes of operation, but some of the conditions monitored have no valid meaning in some operating modes. For example, the status of CLKBAD is not relevant in Frequency Synthesizer mode. The outputs will still be active and it is left to the user to determine

LOCK - This status is asserted on the pin & register bit when the PLL is locked to the appropriate input reference for the chosen mode of operation. The status bit will not assert until frequency lock has been achieved, but will de-assert once lock is lost.

REFBAD - indicates if valid edges are being received on the REFCLK input. Detection is performed by comparing the input to the feedback signal at the upper loop's Phase / Frequency Detector (PFD). If three edges are received on the feedback without an edge on the REFCLK input, the REFBAD alarm is asserted on the pin & register bit. Once an edge is detected on the REFCLK input, the alarm is immediately deasserted.

CLKBAD - indicates if valid edges are being received on the CLK reference input. Detection is performed by comparing the input to the feedback signal at the appropriate Phase / Frequency Detector (PFD). When operating in high-bandwidth mode, the feedback at the upper PFD is used. In low-bandwidth mode, the feedback at the lower PFD is used. If three edges are received on the feedback without an edge on the divided down ($\div P$) CLK reference input, the CLKBAD alarm is asserted on the pin & register bit. Once an edge is detected on the CLK reference input, the alarm is deasserted.

Holdover / Free-run Behavior

When input reference has failed, the PLL will enter holdover (Low Bandwidth Frequency Translator mode) or free-run (High Bandwidth Frequency Translator mode) state if. In both cases, once the input reference is lost, the PLL will stop making adjustments to the output phase.

If operating in Low Bandwidth Frequency Translation mode, the PLL will continue to reference itself to the local oscillator and will hold its output phase and frequency in relation to that source. Output stability is determined by the stability of the local oscillator in this case.

However, if operating in High Bandwidth Frequency Translation mode, the PLL no longer has any frequency reference to use and output stability is now determined by the stability of the internal VCO.

Output Configuration

The output is selectable as LVDS or LVPECL output types via the Q_TYPE register bit. The output can be enabled via register control bit. When both the OE register bit is enabled, then the output is enabled. When the differential output is in the disabled state, it will show a high impedance condition.

Serial Interface Configuration Description

The IDT8T49N445I has an I²C-compatible configuration interface to access any of the internal registers (Table 4D). Each PLL acts as slave device on the I²C bus and has the address 0b11011xx, where the xx is fixed values as Table 4A (see Table 4A for details). The interface accepts byte-oriented block write and block read operations. An address byte (P) specifies the register address (Table 4D) as the byte position of the first register to write or read. Data bytes (registers) are accessed in sequential order from the lowest to the highest byte (most significant bit first, see Table 4B, 4C). Read and write block transfers can be stopped after any complete byte transfer. It is recommended to terminate I²C the read or write transfer after accessing byte #23 of each PLL.

For full electrical I²C compliance, it is recommended to use external pull-up resistors for SDATA and SCLK. The internal pull-up resistors have a size of 50k Ω typical.

Note: if a different device slave address is desired, please contact IDT.

Table 4A. I²C Device Slave Address

	A6	A5	A4	A3	A2	A1	A0	R/W
PLL-A	1	1	0	1	1	0	0	R/W
PLL-B	1	1	0	1	1	0	1	R/W
PLL-C	1	1	0	1	1	1	0	R/W
PLL-D	1	1	0	1	1	1	1	R/W

Table 4B. Block Write Operation

Bit	1	2:8	9	10	11:18	19	20:27	28	29-36	37
Description	START	Slave Address	W (0)	ACK	Address Byte (P)	ACK	Data Byte (P)	ACK	Data Byte (P+1)	ACK	Data Byte ...	ACK	STOP
Length (bits)	1	7	1	1	8	1	8	1	8	1	8	1	1

Table 4C. Block Read Operation

Bit	1	2:8	9	10	11:18	19	20	21:27	28	29	30:37	38	39-46	47
Description	START	Slave Address	W (0)	ACK	Address Byte (P)	ACK	Repeated START	Slave Address	R (1)	ACK	Data Byte (P)	ACK	Data Byte (P+1)	ACK	Data Byte ...	ACK	STOP
Length (bits)	1	7	1	1	8	1	1	7	1	1	8	1	8	1	8	1	1

Register Descriptions

Please consult IDT for configuration software and/or programming guides to assist in selection of optimal register settings for the desired configurations. The below register map table applies to each PLL.

Table 4D. I²C Register Map

Reg	Binary Register Address	Register Bit							
		D7	D6	D5	D4	D3	D2	D1	D0
0	00000	MFRACx[17]	MFRACx[16]	MFRACx[15]	MFRACx[14]	MFRACx[13]	MFRACx[12]	MFRACx[11]	MFRACx[10]
1	00001	RSVD	RSVD	RSVD	RSVD	RSVD	RSVD	RSVD	RSVD
2	00010	MFRACx[9]	MFRACx[8]	MFRACx[7]	MFRACx[6]	MFRACx[5]	MFRACx[4]	MFRACx[3]	MFRACx[2]
3	00011	RSVD	RSVD	RSVD	RSVD	RSVD	RSVD	RSVD	RSVD
4	00100	MFRACx[1]	MFRACx[0]	MINTx[7]	MINTx[6]	MINTx[5]	MINTx[4]	MINTx[3]	MINTx[2]
5	00101	RSVD	RSVD	RSVD	RSVD	RSVD	RSVD	RSVD	RSVD
6	00110	MINTx[1]	MINTx[0]	Px[16]	Px[15]	Px[14]	Px[13]	Px[12]	Px[11]
7	00111	RSVD	RSVD	RSVD	RSVD	RSVD	RSVD	RSVD	RSVD
8	01000	Px[10]	Px[9]	Px[8]	Px[7]	Px[6]	Px[5]	Px[4]	Px[3]
9	01001	RSVD	RSVD	RSVD	RSVD	RSVD	RSVD	RSVD	RSVD
10	01010	Px[2]	Px[1]	Px[0]	M1_x[16]	M1_x[15]	M1_x[14]	M1_x[13]	M1_x[12]
11	01011	RSVD	RSVD	RSVD	RSVD	RSVD	RSVD	RSVD	RSVD
12	01100	M1_x[11]	M1_x[10]	M1_x[9]	M1_x[8]	M1_x[7]	M1_x[6]	M1_x[5]	M1_x[4]
13	01101	RSVD	RSVD	RSVD	RSVD	RSVD	RSVD	RSVD	RSVD
14	01110	M1_x[3]	M1_x[2]	M1_x[1]	M1_x[0]	Nx[10]	Nx[9]	Nx[8]	Nx[7]
15	01111	RSVD	RSVD	RSVD	RSVD	RSVD	RSVD	RSVD	RSVD
16	10000	Nx[6]	Nx[5]	Nx[4]	Nx[3]	Nx[2]	Nx[1]	Nx[0]	BWx[6]
17	10001	RSVD	RSVD	RSVD	RSVD	RSVD	RSVD	RSVD	RSVD
18	10010	BWx[5]	BWx[4]	BWx[3]	BWx[2]	BWx[1]	BWx[0]	Rsvd	Q_TYPEx
19	10011	RSVD	RSVD	RSVD	RSVD	RSVD	RSVD	RSVD	RSVD
20	10100	MODE_SELx[1]	MODE_SELx[0]	0	1	0	OEx	Rsvd	Rsvd
21	10101	0	1	1	0	ADC_RATEx[1]	ADC_RATEx[0]	LCK_WINx[1]	LCK_WINx[0]
22	10110	1	0	1	0	DBL_REFCLKx	0	0	1
23	10111	Rsvd	HOLDOVERx	Rsvd	CLKBADx	REFBADx	LOCKx	Rsvd	Rsvd

NOTE: “x” denotes A, B, C or D.

Table 4E. Configuration-Specific Control Bits

Register Bits	Function
Q_TYPE _x	Determines the output type for output pair Q, nQ for PLL _x . 0 = LVPECL 1 = LVDS
P _x [16:0]	Reference Pre-Divider.
M1_ _x [16:0]	Integer Feedback Divider for PLL _x in Lower Feedback Loop.
M_INT _x [7:0]	Feedback Divider, Integer Value in Upper Feedback Loop for PLL _x .
M_FRAC _x [17:0]	Feedback Divider, Fractional Value in Upper Feedback Loop for PLL _x .
N _x [10:0]	Output Divider for PLL _x .
BW _x [6:0]	Internal Operation Settings for PLL _x . Please use IDT IDT8T49N445I Configuration Software to determine the correct settings for these bits for the specific configuration. Alternatively, please consult with IDT directly for further information on the functions of these bits. The function of these bits are explained in Tables 4J and 4K.
MODE_SEL _x [1:0]	PLL Mode Select for PLL _x . 00 = Low Bandwidth Frequency Translator 01 = Frequency Synthesizer 10 = High Bandwidth Frequency Translator 11 = High Bandwidth Frequency Translator
OEx	Output Enable Control for Output for PLL _x . 0 = Output Q, nQ disabled 1 = Output Q, nQ enabled
Rsvd	Reserved bits - user should write a '0' to these bit positions if a write to these registers is needed.
ADC_RATE _x [1:0]	Sets the ADC sampling rate in Low-Bandwidth Mode as a fraction of the REFCLK input frequency for PLL _x . 00 = REFCLK Frequency / 16 if doubler is disabled 01 = REFCLK Frequency / 8 if doubler is disabled 10 = REFCLK Frequency / 4 if doubler is disabled (recommended) 11 = REFCLK Frequency / 2 if doubler is disabled
LCK_WIN _x [1:0]	Sets the width of the window in which a new reference edge must fall relative to the feedback edge for PLL _x . 00 = 2usec (recommended), 01 = 4usec, 10 = 8usec, 11 = 16usec
DBL_REFCLK _x	When set, this bit will double the frequency of the REFCLK input before applying it to the Phase-Frequency Detector for PLL _x .

Table 4F. Global Status Bits

Register Bits	Function
CLKBAD _x	Status Bit for input clock for PLL _x . 0 = input good 1 = input bad. Self clears when input clock returns to good status
REFBAD _x	Status Bit. 0 = REFCLK input good 1 = REFCLK input bad. Self-clears for PLL _x when the REFCLK returns to good status
LOCK _x	Status bit. This function is mirrored on the LOCK pin for PLL _x . 0 = PLL unlocked 1 = PLL locked
HOLDOVER _x	Status Bit for PLL _x . 0 = Input to phase detector is within specifications and device is tracking to it 1 = Phase detector input not within specifications and DCXO is frozen at last value

Table 4G. BWx[6:0] Bits

Mode	BWx[6]	BWx[5]	BWx[4]	BWx[3]	BWx[2]	BWx[1]	BWx[0]
Synthesizer Mode	PLL2_LFx[1]	PLL2_LFx[0]	DSM_ORDx	DSM_ENx	PLL2_CPx[1]	PLL2_CPx[0]	PLL2_LOW_LCPx
High-Bandwidth Mode	PLL2_LFx[1]	PLL2_LFx[0]	DSM_ORDx	DSM_ENx	PLL2_CPx[1]	PLL2_CPx[0]	PLL2_LOW_LCPx
Low-Bandwidth Mode	ADC_GAINx[3]	ADC_GAINx[2]	ADC_GAINx[1]	ADC_GAINx[0]	PLL1_CPx[1]	PLL1_CPx[0]	PLL2_LOW_LCPx

Table 4H. Functions of Fields in BW[6:0]

Register Bits	Function
PLL2_LFx[1:0]	Sets loop filter values for upper loop PLL in Frequency Synthesizer & High-Bandwidth modes for PLLx. Defaults to setting of 00 when in Low Bandwidth Mode. See Table 4I for settings.
DSM_ORDx	Sets Delta-Sigma Modulation to 2nd (0) or 3rd order (1) operation.
DSM_ENx	Enables Delta-Sigma Modulator for PLLx. 0 = Disabled - feedback in integer mode only 1 = Enabled - feedback in fractional mode
PLL2_CPx[1:0]	Upper loop PLL charge pump current settings for PLLx: 00 = 173µA (defaults to this setting in Low Bandwidth Mode) 01 = 346µA 10 = 692µA 11 = reserved
PLL2_LOW_LCPx	Reduces Charge Pump current by 1/3 to reduce bandwidth variations resulting from higher feedback register settings or high VCO operating frequency (>2.4GHz) for PLLx.
ADC_GAINx[3:0]	Gain setting for ADC in Low Bandwidth Mode for PLLx.
PLL1_CPx[1:0]	Lower loop PLL charge pump current settings (lower loop is only used in Low Bandwidth Mode) for PLLx: 00 = 800µA 01 = 400µA 10 = 200µA 11 = 100µA

Table 4I. Upper Loop (PLL2) Bandwidth Settings

Desired Bandwidth	PLL2_CP	PLL2_LOW_ICP	PLL2_LF						
Frequency Synthesizer Mode									
200kHz	00	1	00						
400kHz	01	1	01						
800kHz	10	1	10						
2MHz	10	1	11						
High Bandwidth Frequency Translator Mode									
200kHz	00	1	00						
400kHz	01	1	01						
800kHz	10	1	10						
4MHz	10	0	11						

NOTE: To achieve 4MHz bandwidth, reference to the phase detector should be 80MHz.

Absolute Maximum Ratings

NOTE: Stresses beyond those listed under *Absolute Maximum Ratings* may cause permanent damage to the device. These ratings are stress specifications only. Functional operation of product at these conditions or any conditions beyond those listed in the *DC Characteristics* or *AC Characteristics* is not implied. Exposure to absolute maximum rating conditions for extended periods may affect product reliability.

Item	Rating
Supply Voltage, V_{CC_X}	3.6V
Inputs, V_I	-0.5V to $V_{CC_X} + 0.5V$
Outputs, V_O (LVCMOS)	-0.5V to $V_{CC_X} + 0.5V$
Outputs, I_O (LVPECL) Continuous Current Surge Current	50mA 100mA
Outputs, I_O (LVDS) Continuous Current Surge Current	10mA 15mA
Package Thermal Impedance, θ_{JA}	12.4°C/W (0mps)
Storage Temperature, T_{STG}	-65°C to 150°C

DC Electrical Characteristics

Table 5A. LVPECL Power Supply DC Characteristics, $V_{CC_X} = V_{CCO_X} = 2.5V \pm 5\%$, $V_{EE} = 0V$, $T_A = -40^\circ C$ to $85^\circ C$

Symbol	Parameter	Test Conditions	Minimum	Typical	Maximum	Units
V_{CC_X}	Core Supply Voltage		2.375	2.5	2.625	V
V_{CCA_X}	Analog Supply Voltage		$V_{CC_X} - 0.26$	2.5	V_{CC_X}	V
V_{CCO_X}	Output Supply Voltage		2.375	2.5	2.625	V
I_{EE}	Power Supply Current				1151	mA
I_{CCA}	Analog Supply Current				104	mA

NOTE: X denotes: A, B, C or D.

Table 5B. LVDS Power Supply DC Characteristics, $V_{CC_X} = V_{CCO_X} = 2.5V \pm 5\%$, $T_A = -40^\circ C$ to $85^\circ C$

Symbol	Parameter	Test Conditions	Minimum	Typical	Maximum	Units
V_{CC_X}	Core Supply Voltage		2.375	2.5	2.625	V
V_{CCA_X}	Analog Supply Voltage		$V_{CC_X} - 0.26$	2.5	V_{CC_X}	V
V_{CCO_X}	Output Supply Voltage		2.375	2.5	2.625	V
I_{EE}	Power Supply Current				979	mA
I_{CCA}	Analog Supply Current				104	mA
I_{CCO}	Output Supply Current				88	mA

NOTE: X denotes: A, B, C or D.

Table 5C. LVCMOS/LVTTL DC Characteristics, $V_{CC_X} = V_{CCO_X} = 2.5V \pm 5\%$, $V_{EE} = 0V$, $T_A = -40^\circ C$ to $85^\circ C$

Symbol	Parameter		Test Conditions	Minimum	Typical	Maximum	Units
V_{IH}	Input High Voltage			1.7		$V_{CCx} + 0.3$	V
V_{IL}	Input Low Voltage			-0.3		0.7	V
I_{IH}	Input High Current; NOTE 1	REFCLK	$V_{CC_X} = V_{IN} = 2.625V$			150	μA
		SCLK, SDATA	$V_{CC_X} = V_{IN} = 2.625V$			5	μA
I_{IL}	Input Low Current; NOTE 1	REFCLK	$V_{CC_X} = 2.625V$, $V_{IN} = 0V$	-5			μA
		SCLK, SDATA	$V_{CC_X} = 2.625V$, $V_{IN} = 0V$	-150			μA
V_{OH}	Output High Voltage	SDATA, LOCK[A:D]	$V_{CCO_X} = 2.625V$ $I_{OH} = -8mA$	1.8			V
V_{OL}	Output Low Voltage	SDATA, LOCK[A:D]	$V_{CCO_X} = 2.625V$ $I_{OL} = 8mA$			0.5	V

NOTE1: For REFCLK/SCLK/SDATA pins, specification is for each individual PLL and is guaranteed by design. Production Test is performed all PLLs combined.

NOTE: X denotes: A, B, C or D.

Table 5D. Differential DC Characteristics, $V_{CC_X} = 2.5V \pm 5\%$, $V_{EE} = 0V$, $T_A = -40^\circ C$ to $85^\circ C$

Symbol	Parameter		Test Conditions	Minimum	Typical	Maximum	Units
I_{IH}	Input High Current	CLK[A:D], nCLK[A:D]	$V_{CC_X} = V_{IN} = 2.625V$			150	μA
I_{IL}	Input Low Current	CLK[A:D]	$V_{CC_X} = 2.625V$, $V_{IN} = 0V$	-5			μA
		nCLK[A:D]	$V_{CC_X} = 2.625V$, $V_{IN} = 0V$	-150			μA
V_{PP}	Peak-to-Peak Voltage			0.15		1.3	V
V_{CMR}	Common Mode Input Voltage; NOTE 1			$V_{EE} + 0.5$		$V_{CCx} - 0.85$	V

NOTE: X denotes: A, B, C or D.

NOTE 1: Common mode input voltage is defined at the crosspoint.

Table 5E. LVPECL DC Characteristics, $V_{CCO_X} = 2.5V \pm 5\%$, $V_{EE} = 0V$, $T_A = -40^\circ C$ to $85^\circ C$

Symbol	Parameter		Test Conditions	Minimum	Typical	Maximum	Units
V_{OH}	Output High Voltage; NOTE 1			$V_{CCO_X} - 1.1$		$V_{CCO_X} - 0.7$	V
V_{OL}	Output Low Voltage NOTE 1			$V_{CCO_X} - 2.0$		$V_{CCO_X} - 1.5$	V
V_{SWING}	Peak-to-Peak Output Voltage Swing			0.6		1.0	V

NOTE: X denotes: A, B, C or D.

NOTE 1: Outputs terminated with 50Ω to $V_{CCO_X} - 2V$.

Table 5F. LVDS DC Characteristics, $V_{CCO_X} = 2.5V \pm 5\%$, $V_{EE} = 0V$, $T_A = -40^{\circ}C$ to $85^{\circ}C$

Symbol	Parameter	Test Conditions	Minimum	Typical	Maximum	Units
V_{OD}	Differential Output Voltage		247		454	mV
ΔV_{OD}	V_{OD} Magnitude Change				50	mV
V_{OS}	Offset Voltage		1.125		1.375	V
ΔV_{OS}	V_{OS} Magnitude Change				50	mV

NOTE: X denotes: A, B, C or D.

Table 6. Input Frequency Characteristics, $V_{CC_X} = 2.5V \pm 5\%$, $V_{EE} = 0V$, $T_A = -40^{\circ}C$ to $85^{\circ}C$

Symbol	Parameter	Test Conditions	Minimum	Typical	Maximum	Units	
f_{IN}	Input Frequency	REFCLK; NOTE 1	16		40	MHz	
		CLK[A:D], nCLK[A:D]	High Bandwidth Mode	16		710	MHz
			Low Bandwidth Mode	0.008		710	MHz
		SCLK				5	MHz

NOTE: X denotes: A, B, C or D.

NOTE 1: For the input REFCLK and CLK, nCLK frequency range, the M value must be set for the VCO to operate within the 1995MHz to 2600MHz range.

AC Electrical Characteristics

Table 7. AC Characteristics, $V_{CC_X} = V_{CCO_X} = 2.5V \pm 5\%$, $V_{EE} = 0V$, $T_A = -40^\circ C$ to $85^\circ C^*$.

Symbol	Parameter		Test Conditions	Minimum	Typical	Maximum	Units
f_{OUT}	Output Frequency			0.98		1300	MHz
f_{VCO}	VCO Frequency			1995		2600	MHz
$f_{jit}(\emptyset)$	RMS Phase Jitter (Random), Integer Divide Ratio NOTE 1		Synth Mode (Integer FB), $f_{OUT} = 400MHz$, 40MHz REFCLK, Integration Range: 12kHz – 20MHz		333	435	fs
			Synth Mode (FracN FB), $f_{OUT} = 698.81MHz$, 40MHz REFCLK, Integration Range: 12kHz – 20MHz		408	665	fs
			HBW Mode, $f_{IN} = 133.33MHz$, $f_{OUT} = 400MHz$, Integration Range: 12kHz – 20MHz		338	490	fs
			LBW Mode (near integer), 40MHz REFCLK, $f_{IN} = 19.44MHz$, $f_{OUT} = 622.08MHz$, Integration Range: 12kHz – 20MHz		444	680	fs
			LBW Mode (FracN), 40MHz REFCLK, $f_{IN} = 25MHz$, $f_{OUT} = 161.1328125MHz$, Integration Range: 12kHz – 20MHz		465	680	fs
$f_{jit}(cc)$	Cycle-to-Cycle Jitter; NOTE 2, 3		Frequency Synthesizer Mode			35	ps
			Frequency Translator Mode			40	ps
t_R / t_F	Output Rise/Fall Time; NOTE 3	LVPECL Outputs	20% to 80%	100		520	ps
		LVDS Outputs	20% to 80%	100		520	ps
odc	Output Duty Cycle; NOTE 3		$f_{OUT} < 600MHz$	45		55	%
			$f_{OUT} \geq 600MHz$	40		60	%

NOTE: X denotes: A, B, C or D.

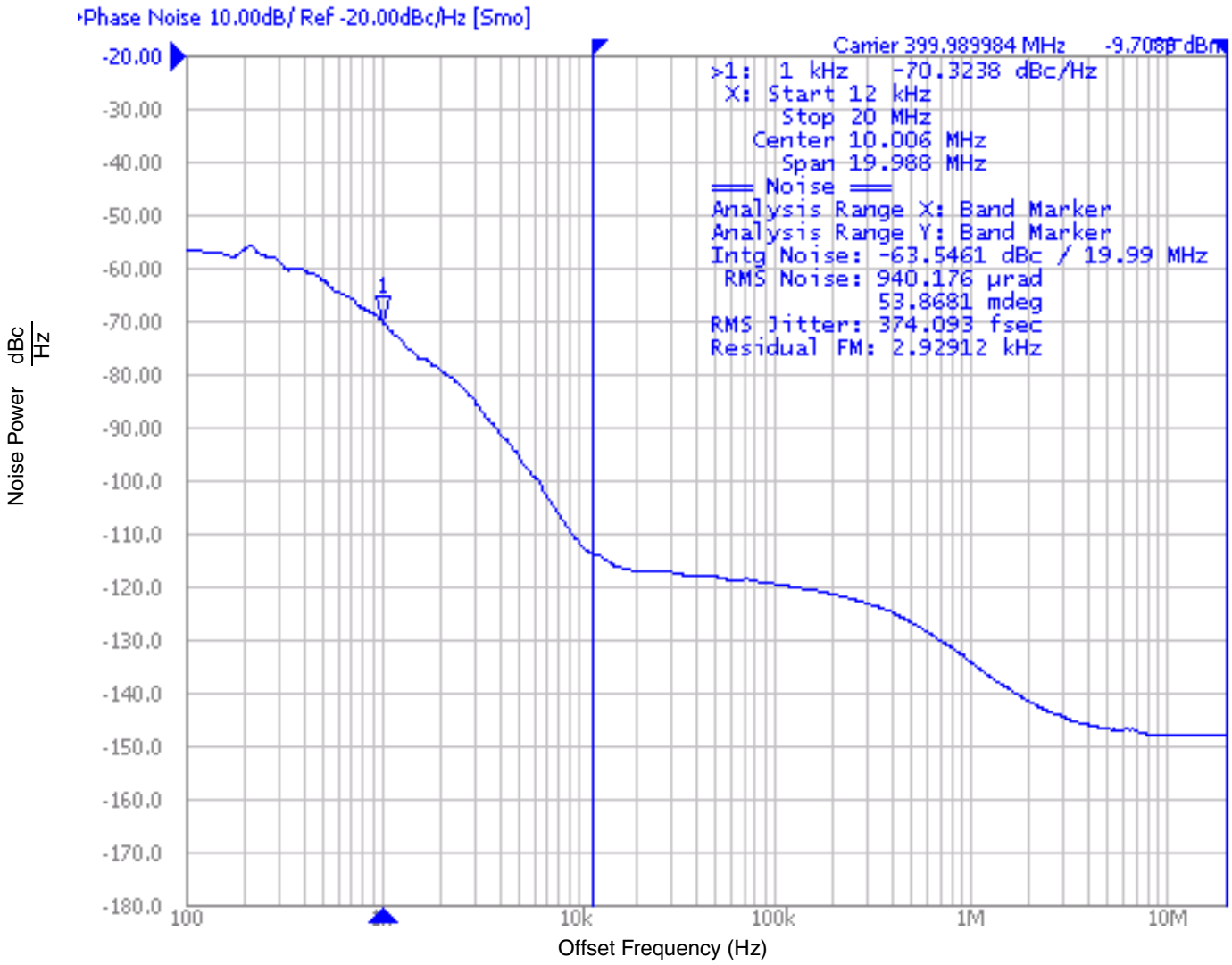
NOTE: Electrical parameters are guaranteed over the specified ambient operating temperature range, which is established when the device is mounted in a test socket with maintained transverse airflow greater than 500 lpm. The device will meet specifications after thermal equilibrium has been reached under these conditions.

NOTE 1: For RMS Phase Jitter measurement in Synth and HBW mode, all four PLLs are programmed with the same configuration. For the LBW mode, only the PLL under test is programmed with LBW configuration, the other PLLs are programmed with Synth mode with the same output frequency. A Rohde & Schwarz SMA-100 signal generator, 9kHz – 6GHz, is used as the REFCLK source. All configurations are with DBL_REFCLK bit set to 1.

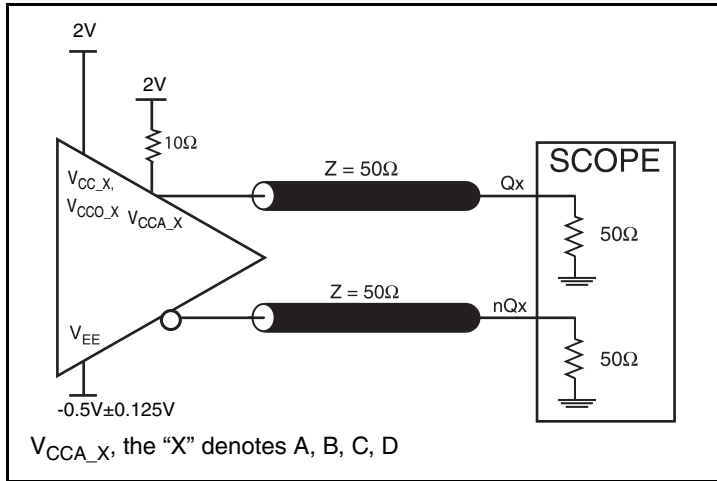
NOTE 2: This parameter is defined in accordance with JEDEC Standard 65.

NOTE 3: Measurements are collected with the following output frequency: 66.6667MHz, 125MHz, 156.25MHz, 161.138125MHz, 400MHz, 622.08MHz, 698.81MHz, 1300MHz.

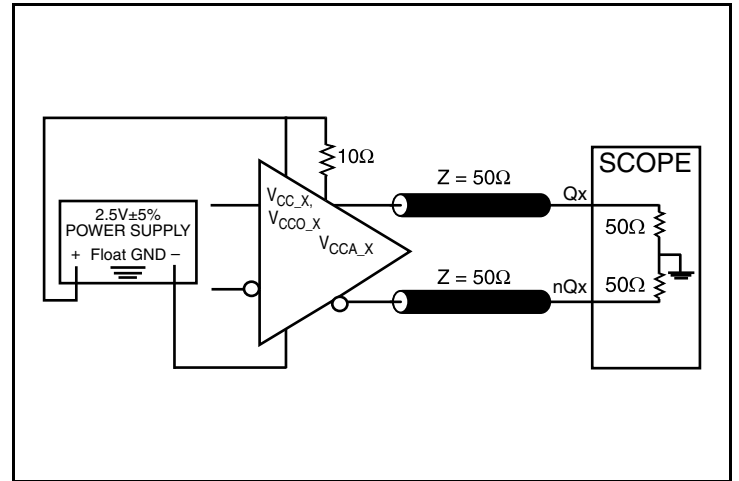
Typical Phase Noise at 400MHz (HBW Mode)



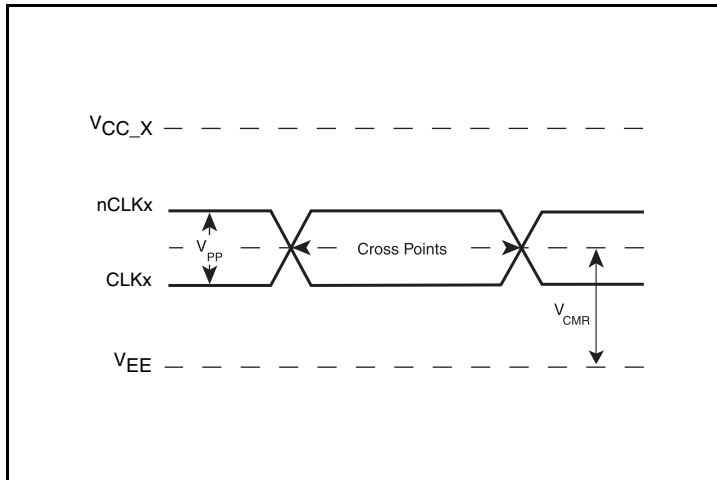
Parameter Measurement Information



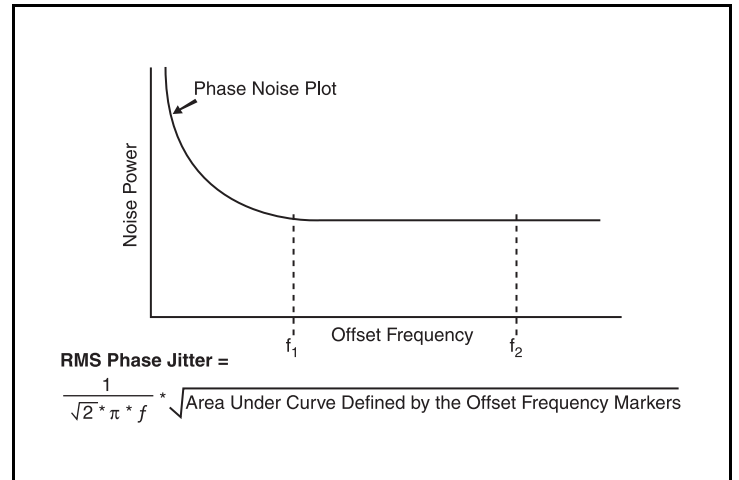
2.5V LVPECL Output Load Test Circuit



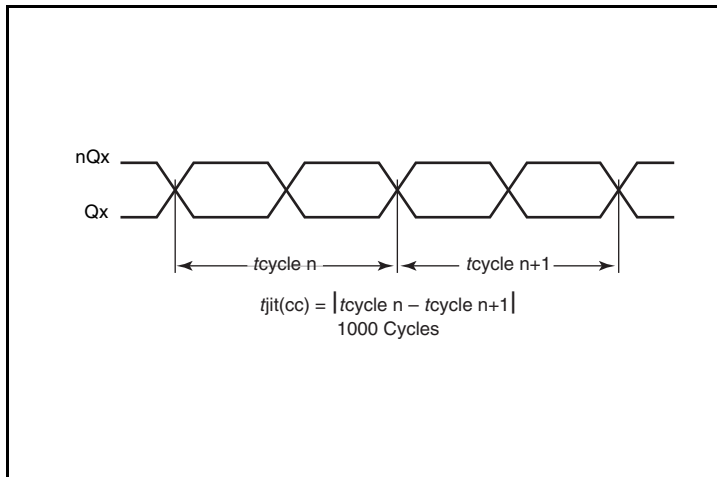
2.5V LVDS Output Load Test Circuit



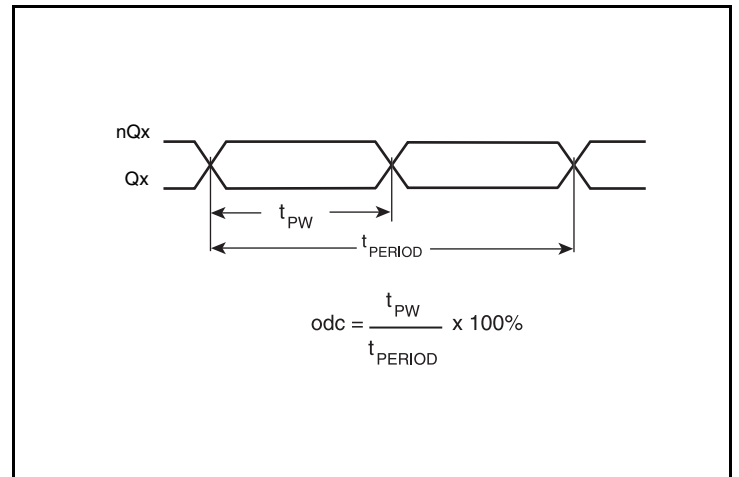
Differential Input Levels



RMS Phase Jitter

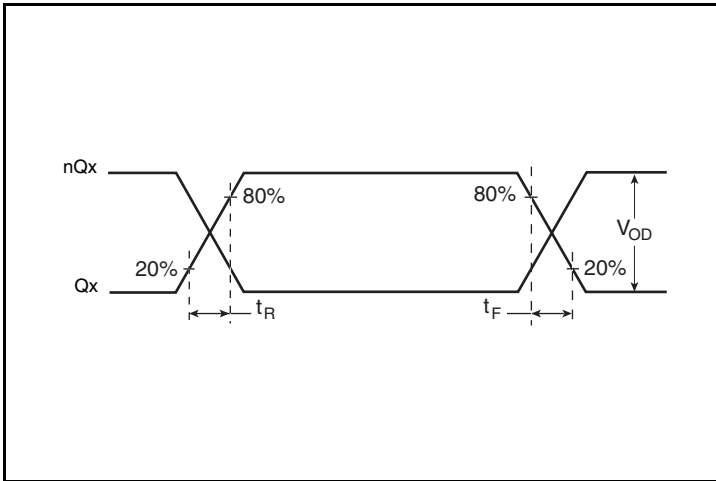


Cycle-to-Cycle Jitter

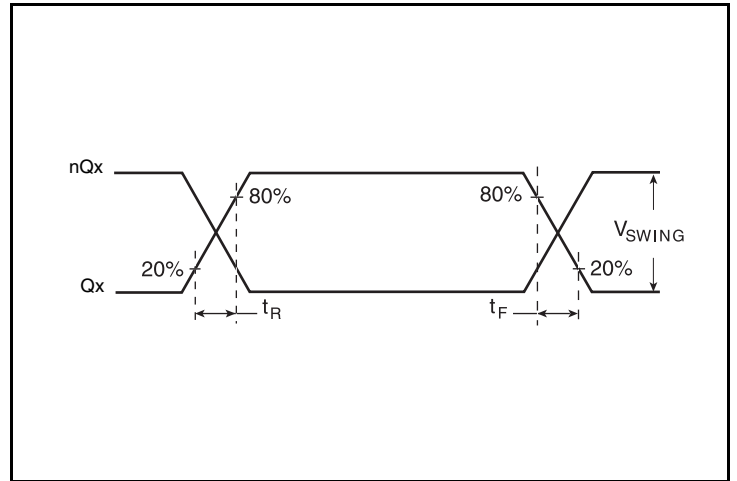


Output Duty Cycle/Pulse Width/Period

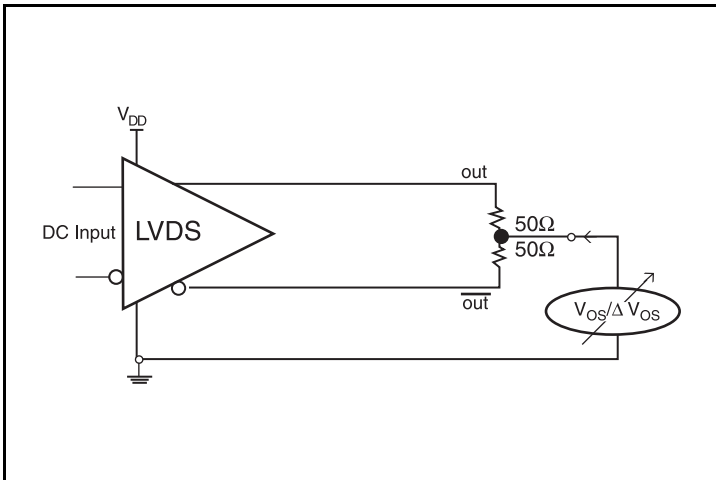
Parameter Measurement Information, continued



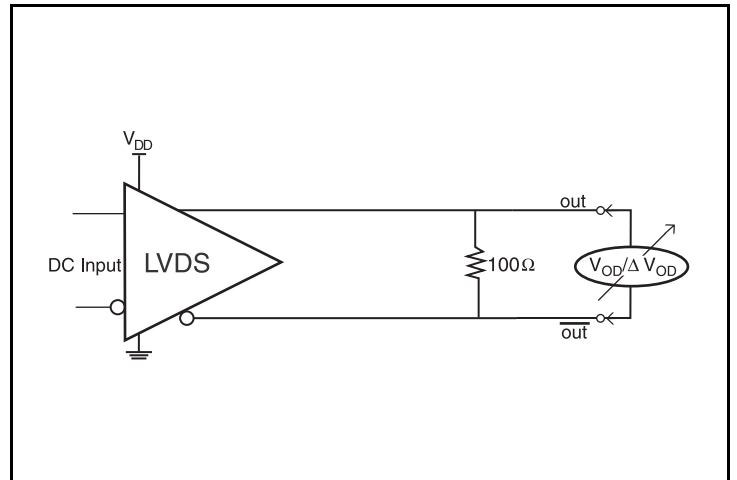
LVDS Output Rise/Fall Time



LVPECL Output Rise/Fall Time



Offset Voltage Setup



Differential Output Voltage Setup

Applications Information

Recommendations for Unused Input and Output Pins

Inputs:

CLKx/nCLKx Inputs

For applications not requiring the use of either differential input, both CLKx and nCLKx can be left floating. Though not required, but for additional protection, a 1k Ω resistor can be tied from CLKx to ground. It is recommended that CLKx, nCLKx be left unconnected in frequency synthesizer mode.

LVC MOS Control Pins

All control pins have internal pullups or pulldowns; additional resistance is not required but can be added for additional protection. A 1k Ω resistor can be used.

Outputs:

LVPECL Outputs

All unused LVPECL output pairs can be left floating. We recommend that there is no trace attached. Both sides of the differential output pair should either be left floating or terminated.

LVDS Outputs

All unused LVDS output pairs can be either left floating or terminated with 100 Ω across. If they are left floating there should be no trace attached.

LVC MOS Outputs

All unused LVC MOS outputs can be left floating. There should be no trace attached.

Recommended Values for Low-Bandwidth Mode Loop Filter

External loop filter components are not needed in Frequency Synthesizer or High-Bandwidth modes. In Low-Bandwidth mode, the loop filter structure and components are recommended, refer to the Application Schematic. Please consult IDT if other values are needed.

Wiring the Differential Input to Accept Single-Ended Levels

Figure 4 shows how a differential input can be wired to accept single ended levels. The reference voltage $V_1 = V_{CC}/2$ is generated by the bias resistors R1 and R2. The bypass capacitor (C1) is used to help filter noise on the DC bias. This bias circuit should be located as close to the input pin as possible. The ratio of R1 and R2 might need to be adjusted to position the V_1 in the center of the input voltage swing. For example, if the input clock swing is 2.5V and $V_{CC} = 3.3V$, R1 and R2 value should be adjusted to set V_1 at 1.25V. The values below are for when both the single ended swing and V_{CC} are at the same voltage. This configuration requires that the sum of the output impedance of the driver (R_o) and the series resistance (R_s) equals the transmission line impedance. In addition, matched termination at the input will attenuate the signal in half. This can be done in one of two ways. First, R3 and R4 in parallel should equal the transmission line

impedance. For most 50Ω applications, R3 and R4 can be 100Ω. The values of the resistors can be increased to reduce the loading for slower and weaker LVCMOS driver. When using single-ended signaling, the noise rejection benefits of differential signaling are reduced. Even though the differential input can handle full rail LVCMOS signaling, it is recommended that the amplitude be reduced. The datasheet specifies a lower differential amplitude, however this only applies to differential signals. For single-ended applications, the swing can be larger, however V_{IL} cannot be less than $-0.3V$ and V_{IH} cannot be more than $V_{CC} + 0.3V$. Though some of the recommended components might not be used, the pads should be placed in the layout. They can be utilized for debugging purposes. The datasheet specifications are characterized and guaranteed by using a differential signal.

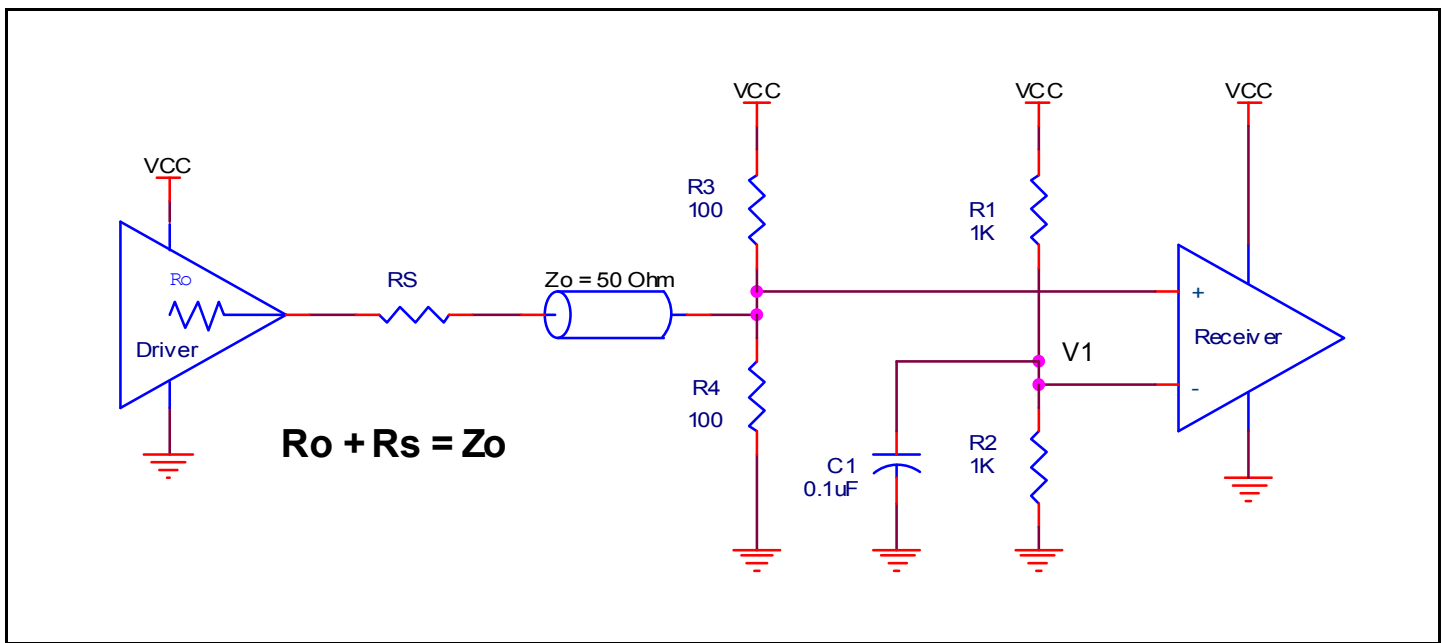


Figure 4. Recommended Schematic for Wiring a Differential Input to Accept Single-ended Levels

Differential Clock Input Interface

The CLK /nCLK accepts LVDS, LVPECL, LVHSTL, HCSL and other differential signals. Both differential signals must meet the V_{PP} and V_{CMR} input requirements. *Figures 5A to 5E* show interface examples for the CLK/nCLK input driven by the most common driver types. The input interfaces suggested here are examples only. Please consult

with the vendor of the driver component to confirm the driver termination requirements. For example, in Figure 5A, the input termination applies for IDT open emitter LVHSTL drivers. If you are using an LVHSTL driver from another vendor, use their termination recommendation.

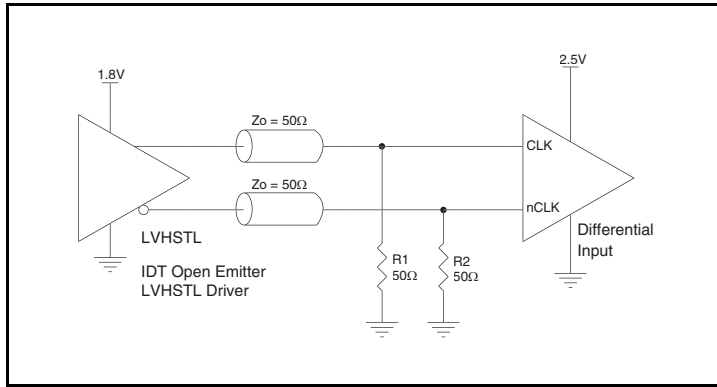


Figure 5A. CLK/nCLK Input Driven by an IDT Open Emitter LVHSTL Driver

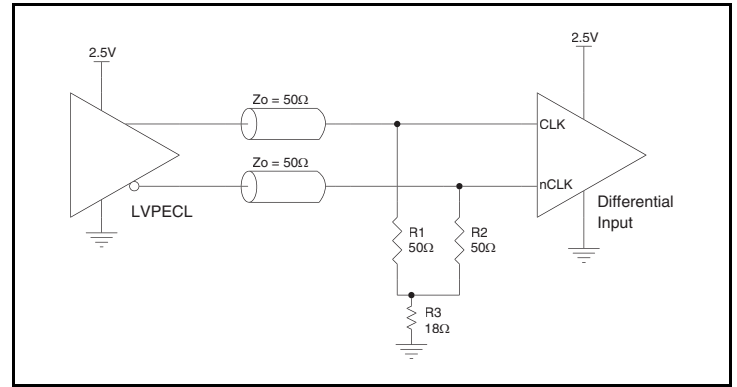


Figure 5B. CLK/nCLK Input Driven by a 2.5V LVPECL Driver

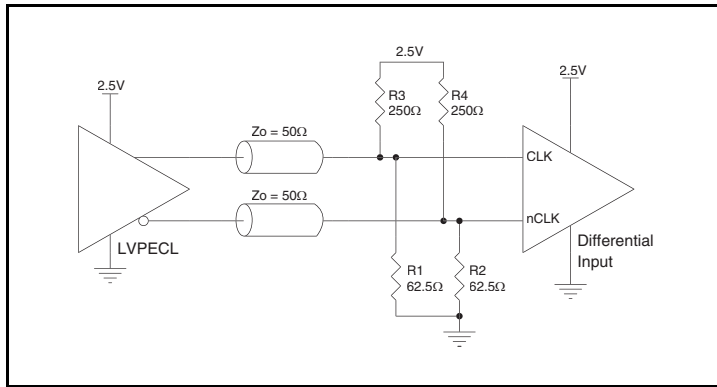


Figure 5C. CLK/nCLK Input Driven by a 2.5V LVPECL Driver

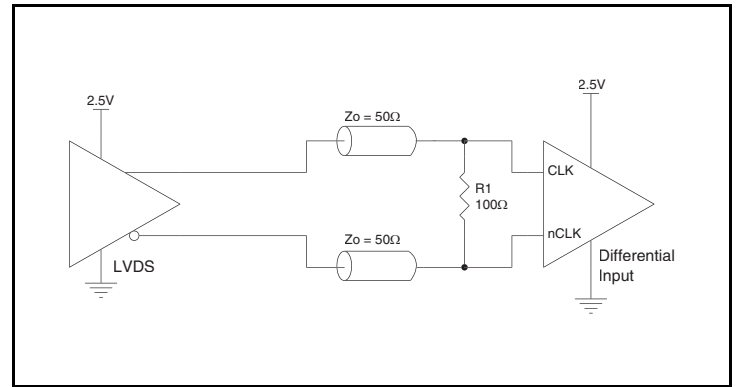


Figure 5D. CLK/nCLK Input Driven by a 2.5V LVDS Driver

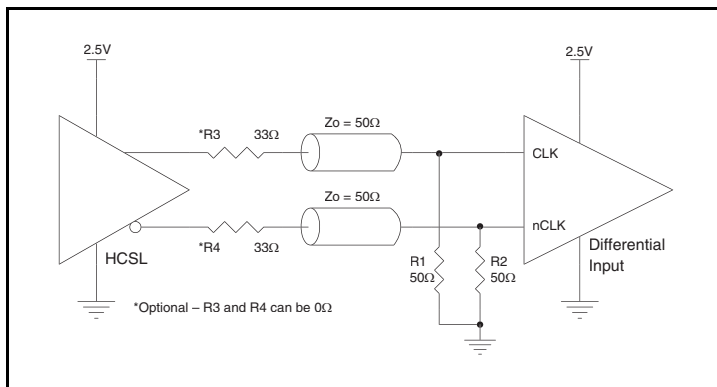
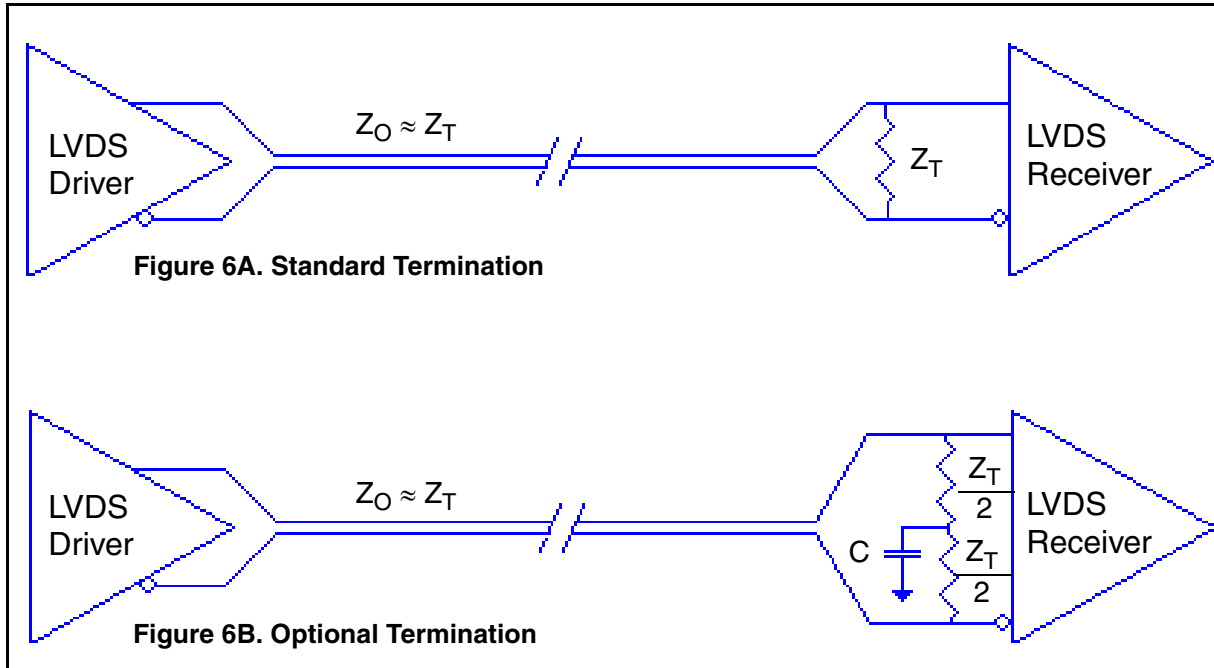


Figure 5E. CLK/nCLK Input Driven by a 2.5V HCSL Driver

LVDS Driver Termination

For a general LVDS interface, the recommended value for the termination impedance (Z_T) is between 90Ω and 132Ω . The actual value should be selected to match the differential impedance (Z_0) of your transmission line. A typical point-to-point LVDS design uses a 100Ω parallel resistor at the receiver and a 100Ω differential transmission-line environment. In order to avoid any transmission-line reflection issues, the components should be surface mounted and must be placed as close to the receiver as possible. IDT offers a full line of LVDS compliant devices with two types of output structures: current source and voltage source. The

standard termination schematic as shown in *Figure 6A* can be used with either type of output structure. *Figure 6B*, which can also be used with both output types, is an optional termination with center tap capacitance to help filter common mode noise. The capacitor value should be approximately 50pF . If using a non-standard termination, it is recommended to contact IDT and confirm if the output structure is current source or voltage source type. In addition, since these outputs are LVDS compatible, the input receiver's amplitude and common-mode input range should be verified for compatibility with the output.



LVDS Termination

Termination for 2.5V LVPECL Outputs

Figure 7A and Figure 7B show examples of termination for 2.5V LVPECL driver. These terminations are equivalent to terminating 50Ω to $V_{CC} - 2V$. For $V_{CC} = 2.5V$, the $V_{CC} - 2V$ is very close to ground

level. The R3 in Figure 7B can be eliminated and the termination is shown in Figure 7C.

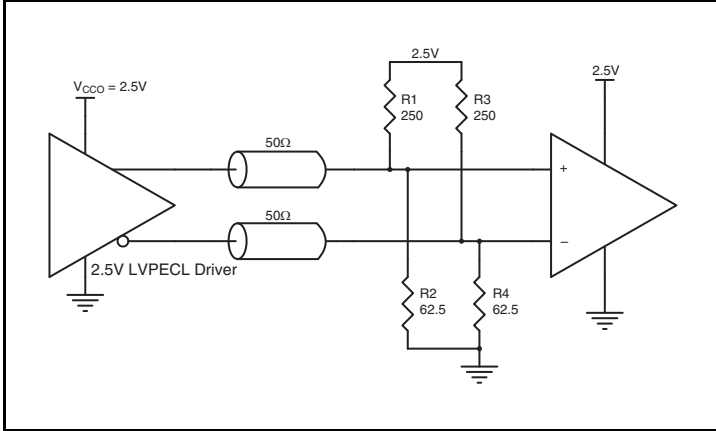


Figure 7A. 2.5V LVPECL Driver Termination Example

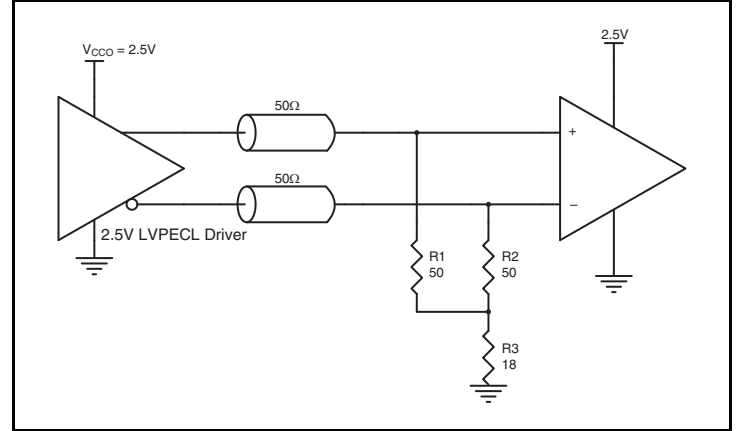


Figure 7B. 2.5V LVPECL Driver Termination Example

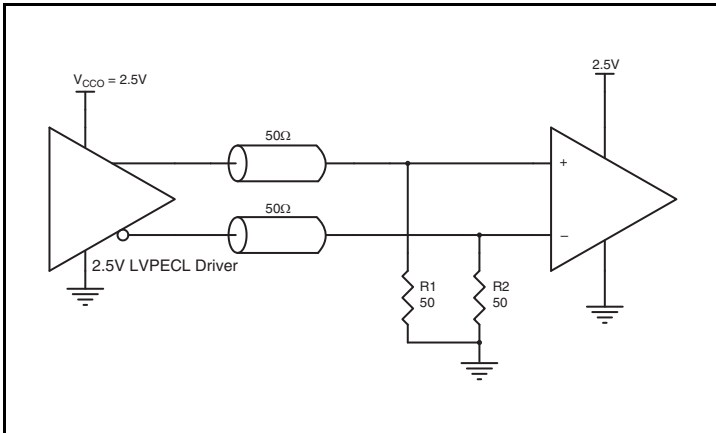


Figure 7C. 2.5V LVPECL Driver Termination Example

Schematic Layout

Figure 8 (next page) shows an example IDT8T49N445I application schematic. The schematic example focuses on functional connections and is not configuration specific. Refer to the pin description and functional tables in the datasheet to ensure that the PLL_BYPASS pin is properly set. Input and output terminations shown are intended as examples only and may not match the exact user application. To promote readability in this schematic, only Jitter Attenuator B and the global pins REFCLK and SDATA and SCLK are shown connected. Jitter Attenuator A, C and D are recommended to be connected similarly to Jitter Attenuator B, however different connections may be used; the four jitter attenuators are fully independent.

As with any high speed analog circuitry, the power supply pins are vulnerable to random noise. To achieve optimum jitter performance, power supply isolation is required. The IDT8T49N445I provides separate V_{CC_X} , V_{CCA_X} and V_{CCO_X} power supplies for each jitter attenuator to isolate any high switching noise from coupling into the internal PLLs.

In order to achieve the best possible filtering, it is highly recommended that the 0.1 μ F capacitors on the device side of the ferrite beads be placed on the device side of the PCB as close to the power pins as possible. This is represented by the placement of these capacitors in the schematic. If space is limited, the ferrite beads, 10 μ F and 0.1 μ F capacitor connected to 2.5V can be placed on the opposite side of the PCB. If space permits, place all filter components on the device side of the board.

Power supply filter recommendations are a general guideline to be used for reducing external noise from coupling into the devices. The filter performance is designed for a wide range of noise frequencies. This low-pass filter starts to attenuate noise at approximately 10kHz. If a specific frequency noise component is known, such as switching power supplies frequencies, it is recommended that component values be adjusted and if required, additional filtering be added. Additionally, good general design practices for power plane voltage stability suggests adding bulk capacitance in the local area of all devices.

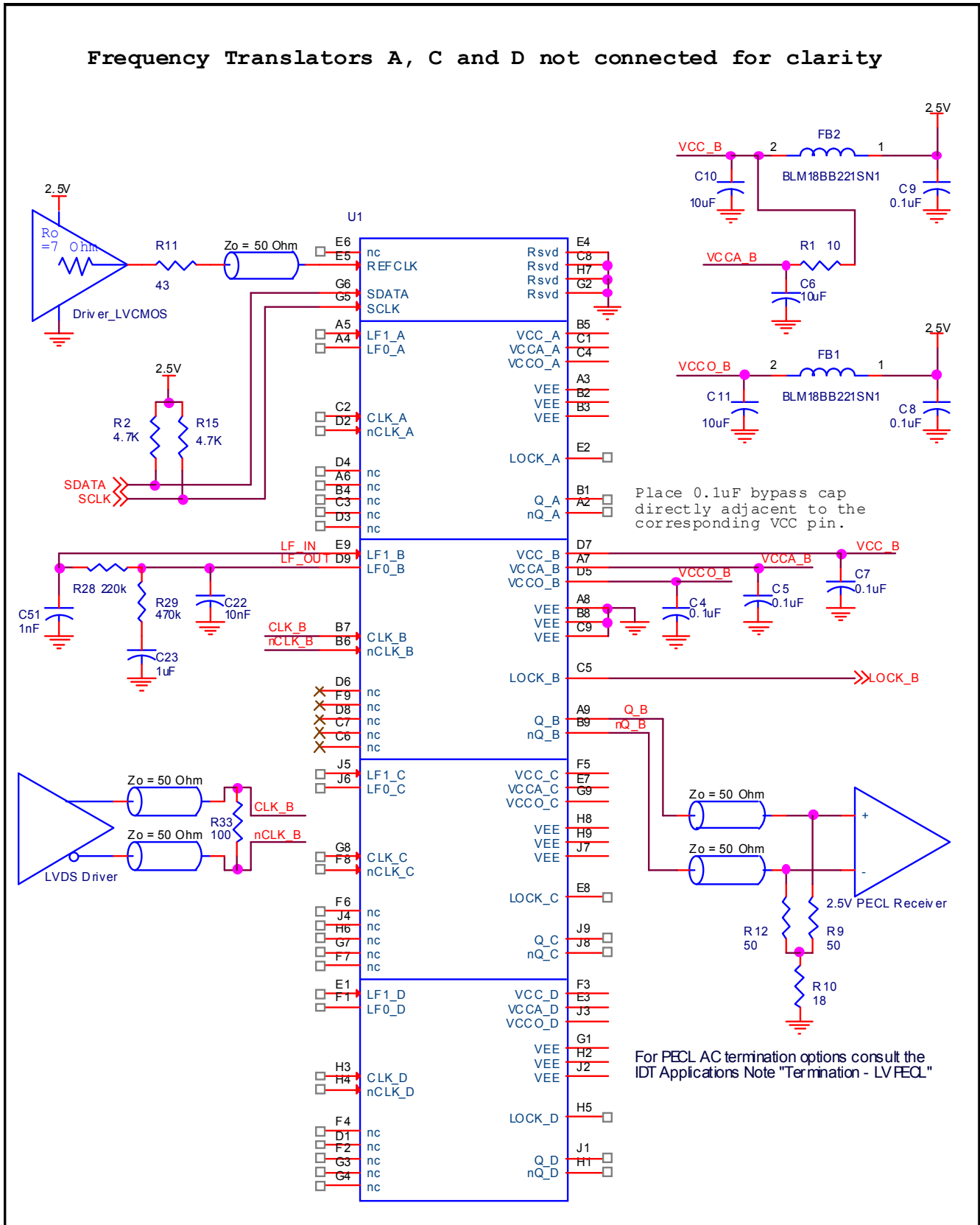


Figure 8. IDT8T49N445I Schematic Example

LVPECL Power Considerations

This section provides information on power dissipation and junction temperature for the IDT8T49N445I. Equations and example calculations are also provided.

1. Power Dissipation.

The total power dissipation for the IDT8T49N445I is the sum of the core power plus the power dissipated in the load(s). The following is the power dissipation for $V_{CC} = 2.5V + 5\% = 2.625V$, which gives worst case results.

NOTE: Please refer to Section 3 for details on calculating power dissipated in the load.

- Power (core)_{MAX} = $V_{CC_MAX} * I_{EE_MAX} = 2.625V * 1151mA = \mathbf{3021.375mW}$
- Power (outputs)_{MAX} = **33.2mW/Loaded Output pair**
If all outputs are loaded, the total power is $4 * 33.2mW = \mathbf{132.8mW}$

Total Power_{MAX} (2.625V, with all outputs switching) = $3021.375mW + 132.8mW = \mathbf{3154.175mW}$

2. Junction Temperature.

Junction temperature, T_j , is the temperature at the junction of the bond wire and bond pad directly affects the reliability of the device. The maximum recommended junction temperature is 125°C. Limiting the internal transistor junction temperature, T_j , to 125°C ensures that the bond wire and bond pad temperature remains below 125°C.

The equation for T_j is as follows: $T_j = \theta_{JA} * Pd_total + T_A$

T_j = Junction Temperature

θ_{JA} = Junction-to-Ambient Thermal Resistance

Pd_total = Total Device Power Dissipation (example calculation is in section 1 above)

T_A = Ambient Temperature

In order to calculate junction temperature, the appropriate junction-to-ambient thermal resistance θ_{JA} must be used. Assuming no air flow and a multi-layer board, the appropriate value is 12.4°C/W per Table 8 below.

Therefore, T_j for an ambient temperature of 85°C with all outputs switching is:

$$85^\circ\text{C} + 3.154\text{C/W} * 12.4^\circ\text{C/W} = 124.1^\circ\text{C}. \text{ This is below the limit of } 125^\circ\text{C}.$$

This calculation is only an example. T_j will obviously vary depending on the number of loaded outputs, supply voltage, air flow and the type of board (multi-layer).

Table 8. Thermal Resistance θ_{JA} for an 80-Ball CABGA, Forced Convection

θ_{JA} vs. Air Flow				
Meters per Second	0	1	2	3
Multi-Layer PCB	12.4°C/W	11°C/W	10.3°C/W	10°C/W

NOTE: θ_{JA} simulation is performed with 8-layers, 8in. x 8in. PCB for the 10x10, 1mm ball pitch BGA package.

3. Calculations and Equations.

The purpose of this section is to calculate the power dissipation for the LVPECL output pairs.

LVPECL output driver circuit and termination are shown in *Figure 9*.

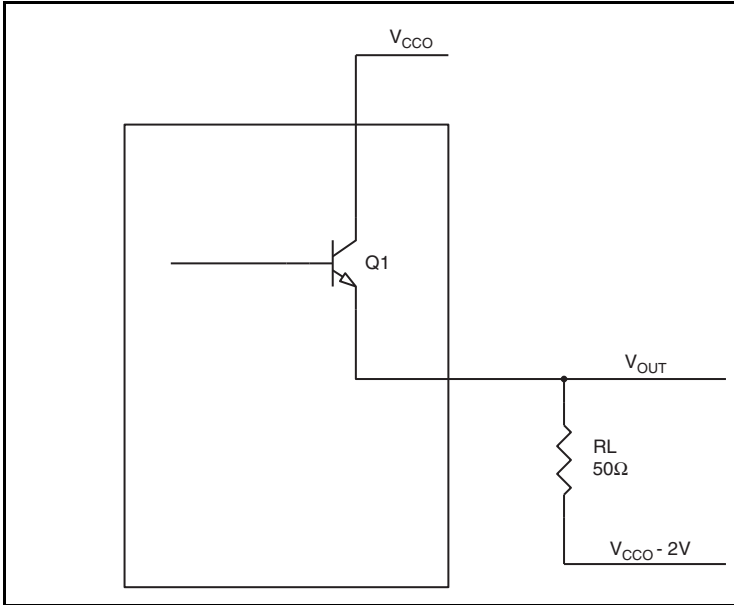


Figure 9. LVPECL Driver Circuit and Termination

To calculate power dissipation per output pair due to the loading, use the following equations which assume a 50Ω load, and a termination voltage of $V_{CCO} - 2V$.

- For logic high, $V_{OUT} = V_{OH_MAX} = V_{CCO_MAX} - 0.7V$
($V_{CC_MAX} - V_{OH_MAX}$) = **0.7V**
- For logic low, $V_{OUT} = V_{OL_MAX} = V_{CCO_MAX} - 1.5V$
($V_{CC_MAX} - V_{OL_MAX}$) = **1.5V**

Pd_H is power dissipation when the output drives high.

Pd_L is the power dissipation when the output drives low.

$$Pd_H = [(V_{OH_MAX} - (V_{CCO_MAX} - 2V))/R_L] * (V_{CCO_MAX} - V_{OH_MAX}) = [(2V - (V_{CCO_MAX} - V_{OH_MAX}))/R_L] * (V_{CCO_MAX} - V_{OH_MAX}) = [(2V - 0.7V)/50\Omega] * 0.7V = \mathbf{18.2mW}$$

$$Pd_L = [(V_{OL_MAX} - (V_{CCO_MAX} - 2V))/R_L] * (V_{CCO_MAX} - V_{OL_MAX}) = [(2V - (V_{CCO_MAX} - V_{OL_MAX}))/R_L] * (V_{CCO_MAX} - V_{OL_MAX}) = [(2V - 1.5V)/50\Omega] * 1.5V = \mathbf{15mW}$$

Total Power Dissipation per output pair = Pd_H + Pd_L = **33.2mW**

LVDS Power Considerations

This section provides information on power dissipation and junction temperature for the IDT8T49N445I. Equations and example calculations are also provided.

1. Power Dissipation.

The total power dissipation for the IDT8T49N445I is the sum of the core power plus the power dissipated in the load(s). The following is the power dissipation for $V_{CC} = 2.5V + 5\% = 2.625V$, which gives worst case results.

- Power (core)_{MAX} = $V_{CC_MAX} * (I_{CC_MAXI} + I_{CCA_MAX}) = 2.625V * (979mA + 104mA) = \mathbf{2842.875mW}$
- Power (outputs)_{MAX} = $V_{CCO_MAX} * I_{CCO_MAX} = 2.625V * 88mA = \mathbf{231mW}$

Total Power_{MAX} = 2842.875mW + 231mW = 3073.875mW

2. Junction Temperature.

Junction temperature, T_j , is the temperature at the junction of the bond wire and bond pad directly affects the reliability of the device. The maximum recommended junction temperature is 125°C. Limiting the internal transistor junction temperature, T_j , to 125°C ensures that the bond wire and bond pad temperature remains below 125°C.

The equation for T_j is as follows: $T_j = \theta_{JA} * Pd_total + T_A$

T_j = Junction Temperature

θ_{JA} = Junction-to-Ambient Thermal Resistance

Pd_total = Total Device Power Dissipation (example calculation is in section 1 above)

T_A = Ambient Temperature

In order to calculate junction temperature, the appropriate junction-to-ambient thermal resistance θ_{JA} must be used. Assuming no air flow and a multi-layer board, the appropriate value is 12.4°C/W per Table 9 below.

Therefore, T_j for an ambient temperature of 85°C with all outputs switching is:

$$85^\circ\text{C} + 3.074\text{W} * 12.4^\circ\text{C}/\text{W} = 123.1^\circ\text{C}. \text{ This is below the limit of } 125^\circ\text{C}.$$

This calculation is only an example. T_j will obviously vary depending on the number of loaded outputs, supply voltage, air flow and the type of board (multi-layer).

Table 9. Thermal Resistance θ_{JA} for an 80-Ball CABGA, Forced Convection

θ_{JA} vs. Air Flow				
Meters per Second	0	1	2	3
Multi-Layer PCB	12.4°C/W	11°C/W	10.3°C/W	10°C/W

NOTE: θ_{JA} simulation is performed with 8-layers, 8in. x 8in. PCB for the 10x10, 1mm ball pitch BGA package.

Reliability Information

Table 10. θ_{JA} vs. Air Flow Table for an 80-Ball CABGA

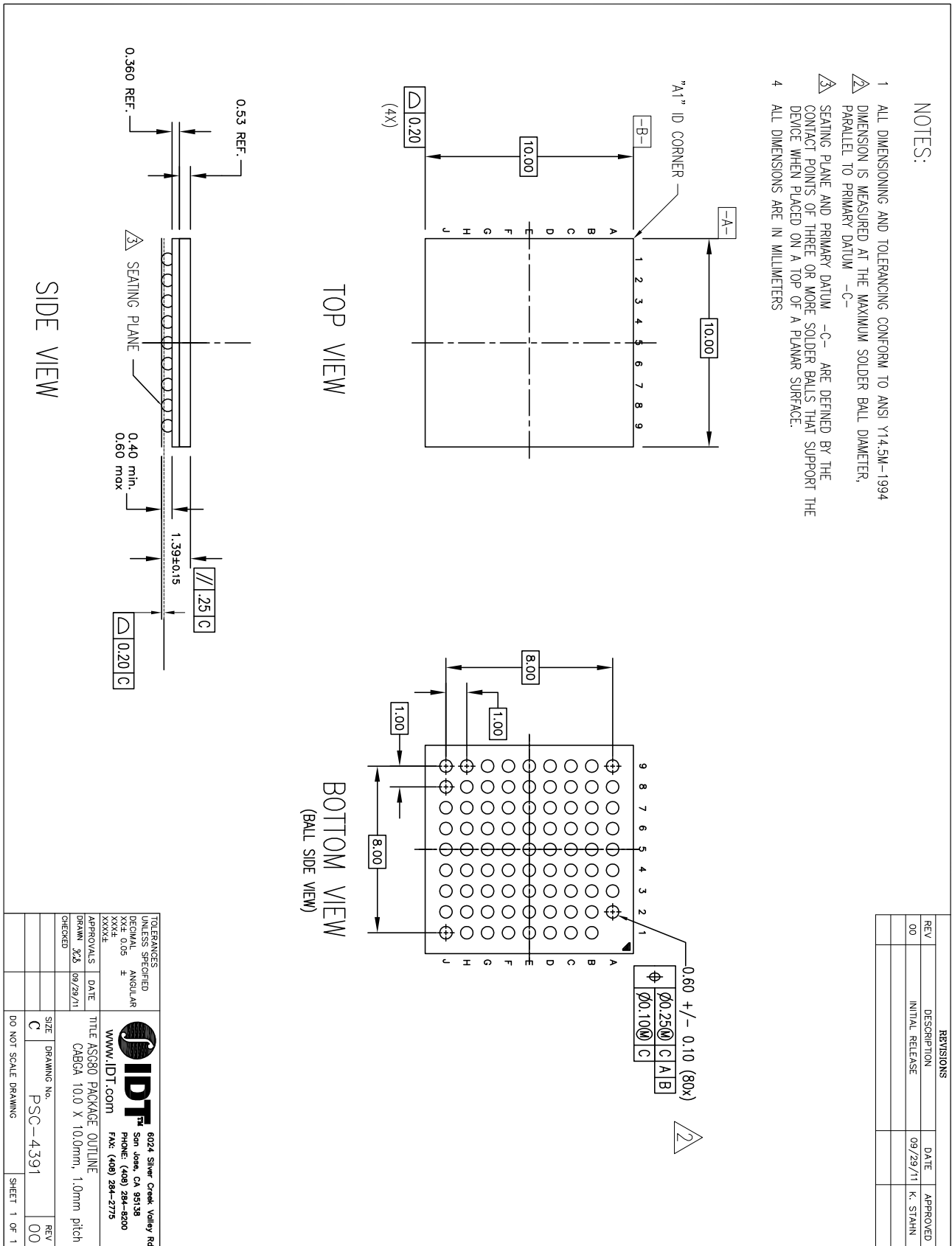
θ_{JA} vs. Air Flow				
Meters per Second	0	1	2	3
Multi-Layer PCB; NOTE 1	12.4°C/W	11°C/W	10.3°C/W	10°C/W

NOTE 1: Theta JA simulation is performed with 8-layers, 8" x 8" PCB for the 10 x 10, 1mm ball pitch BGA package.

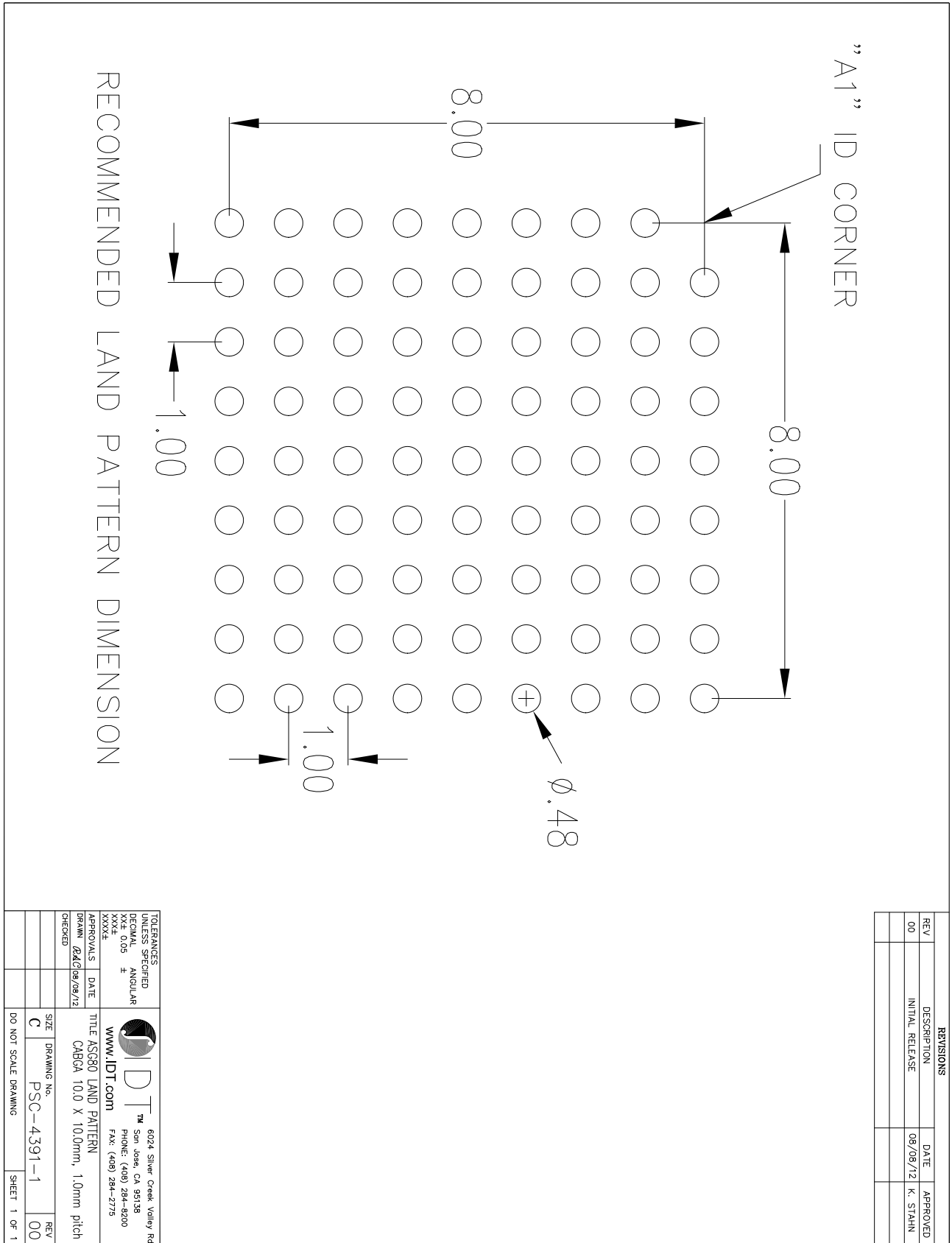
Transistor Count

The transistor count for IDT8T49N445I is: 203,572

80-Ball CABGA Package Outline and Package Dimensions



80-Ball CABGA Package Land Pattern



Ordering Information

Table 11. Ordering Information

Part/Order Number	Marking	Package	Shipping Packaging	Temperature
8T49N445-dddASGI	IDT8T49N445-dddASGI	“Lead-Free”, Plastic 80-Ball CABGA	Tray	-40°C to +85°C
8T49N445-dddASGI8	IDT8T49N445-dddASG	“Lead-Free”, Plastic 80-Ball CABGA	Tape & Reel	-40°C to +85°C

Revision History Sheet

Rev	Table	Page	Description of Change	Date
A	T5D T6 T7	13 14 14	Corrected table spacing format.	12/11/12
A	T5C	15	I _{IH} , I _{IL} : added NOTE 1	2/12/2013
A	T4E	11	Corrected typo: M_INTx[8:0] to M_INTx[7:0]	6/28/13

We've Got Your Timing Solution



6024 Silver Creek Valley Road
San Jose, California 95138

Sales
800-345-7015 (inside USA)
+408-284-8200 (outside USA)
Fax: 408-284-2775
www.IDT.com/go/contactIDT

Technical Support
netcom@idt.com
+480-763-2056

DISCLAIMER Integrated Device Technology, Inc. (IDT) and its subsidiaries reserve the right to modify the products and/or specifications described herein at any time and at IDT's sole discretion. All information in this document, including descriptions of product features and performance, is subject to change without notice. Performance specifications and the operating parameters of the described products are determined in the independent state and are not guaranteed to perform the same way when installed in customer products. The information contained herein is provided without representation or warranty of any kind, whether express or implied, including, but not limited to, the suitability of IDT's products for any particular purpose, an implied warranty of merchantability, or non-infringement of the intellectual property rights of others. This document is presented only as a guide and does not convey any license under intellectual property rights of IDT or any third parties.

IDT's products are not intended for use in applications involving extreme environmental conditions or in life support systems or similar devices where the failure or malfunction of an IDT product can be reasonably expected to significantly affect the health or safety of users. Anyone using an IDT product in such a manner does so at their own risk, absent an express, written agreement by IDT.

Integrated Device Technology, IDT and the IDT logo are registered trademarks of IDT. Other trademarks and service marks used herein, including protected names, logos and designs, are the property of IDT or their respective third party owners.

Copyright 2013. All rights reserved.

Компания «Океан Электроники» предлагает заключение долгосрочных отношений при поставках импортных электронных компонентов на взаимовыгодных условиях!

Наши преимущества:

- Поставка оригинальных импортных электронных компонентов напрямую с производств Америки, Европы и Азии, а так же с крупнейших складов мира;
- Широкая линейка поставок активных и пассивных импортных электронных компонентов (более 30 млн. наименований);
- Поставка сложных, дефицитных, либо снятых с производства позиций;
- Оперативные сроки поставки под заказ (от 5 рабочих дней);
- Экспресс доставка в любую точку России;
- Помощь Конструкторского Отдела и консультации квалифицированных инженеров;
- Техническая поддержка проекта, помощь в подборе аналогов, поставка прототипов;
- Поставка электронных компонентов под контролем ВП;
- Система менеджмента качества сертифицирована по Международному стандарту ISO 9001;
- При необходимости вся продукция военного и аэрокосмического назначения проходит испытания и сертификацию в лаборатории (по согласованию с заказчиком);
- Поставка специализированных компонентов военного и аэрокосмического уровня качества (Xilinx, Altera, Analog Devices, Intersil, Interpoint, Microsemi, Actel, Aeroflex, Peregrine, VPT, Syfer, Eurofarad, Texas Instruments, MS Kennedy, Miteq, Cobham, E2V, MA-COM, Hittite, Mini-Circuits, General Dynamics и др.);

Компания «Океан Электроники» является официальным дистрибьютором и эксклюзивным представителем в России одного из крупнейших производителей разъемов военного и аэрокосмического назначения «JONHON», а так же официальным дистрибьютором и эксклюзивным представителем в России производителя высокотехнологичных и надежных решений для передачи СВЧ сигналов «FORSTAR».



JONHON

«JONHON» (основан в 1970 г.)

Разъемы специального, военного и аэрокосмического назначения:

(Применяются в военной, авиационной, аэрокосмической, морской, железнодорожной, горно- и нефтедобывающей отраслях промышленности)

«FORSTAR» (основан в 1998 г.)

ВЧ соединители, коаксиальные кабели, кабельные сборки и микроволновые компоненты:

(Применяются в телекоммуникациях гражданского и специального назначения, в средствах связи, РЛС, а так же военной, авиационной и аэрокосмической отраслях промышленности).



Телефон: 8 (812) 309-75-97 (многоканальный)

Факс: 8 (812) 320-03-32

Электронная почта: ocean@oceanchips.ru

Web: <http://oceanchips.ru/>

Адрес: 198099, г. Санкт-Петербург, ул. Калинина, д. 2, корп. 4, лит. А