

10069524- AA B C D E V FF

| AA | POSITION |
|----|----------|
| 04 | 2X20     |
| 06 | 2X30     |
| 08 | 2X40     |
| 10 | 2X50     |
| 12 | 2X60     |
| 14 | 2X70     |
| 16 | 2X80     |
| 18 | 2X90     |
| 20 | 2X100    |

| B                           | FOR PLUG, SEE DWG. NO. 10069525 |        |        |        |
|-----------------------------|---------------------------------|--------|--------|--------|
| COMBINATION OF MATED HEIGHT | Plug 1                          | Plug 2 | Plug 3 | Plug 4 |
| Recep 1                     |                                 |        |        |        |
| Recep 2                     |                                 |        |        |        |
| Recep 3                     |                                 |        |        |        |
|                             |                                 |        |        |        |
|                             |                                 |        |        |        |

|   |                |
|---|----------------|
| ✓ | MANDATORY CODE |
| / | STANDARD       |
| H | FOR HUAWEI     |

| E | PACKAGING              |
|---|------------------------|
| 0 | TUBE WITHOUT METAL CAP |
| 2 | T&R WITH METAL CAP     |
| 9 | TUBE WITH METAL CAP    |

| D | POLARIZATION PEG | HOLD DOWN |
|---|------------------|-----------|
| 0 | YES              | NO        |
| 2 | NO               | NO        |

| C | PLATING ON CONTACT AREA   | FF   |
|---|---|------|
| 0 | GOLD 0.2um MIN / TIN LEAD<br>NICKEL UNDERPLATE OVERALL 1.27um MIN   | NONE |
| 1 | GOLD FLASH (0.1um MIN) OVER PALLADIUM-NICKEL<br>0.76um MIN / TIN LEAD<br>NICKEL UNDERPLATE OVERALL 1.27um MIN                     | NONE |
| 4 | GOLD 0.2um MIN / PURE TIN 2um MIN (LEAD FREE)<br>NICKEL UNDERPLATE OVERALL 1.27um MIN   | LF   |
| 5 | GOLD 0.38um MIN / PURE TIN 2um MIN (LEAD FREE)<br>NICKEL UNDERPLATE OVERALL 1.27um MIN  | LF   |
| 6 | GOLD FLASH (0.1um MIN) OVER PALLADIUM-NICKEL<br>0.76um MIN / PURE TIN 2um MIN (LEAD FREE)<br>NICKEL UNDERPLATE OVERALL 1.27um MIN | LF   |
| 9 | GOLD 0.2um MIN / GOLD 0.05um MIN (LEAD FREE)<br>NICKEL UNDERPLATE OVERALL 1.27um MIN  | LF   |

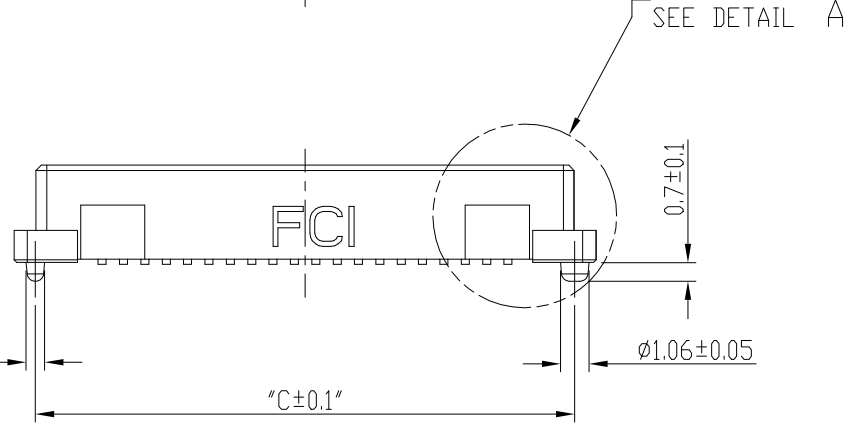
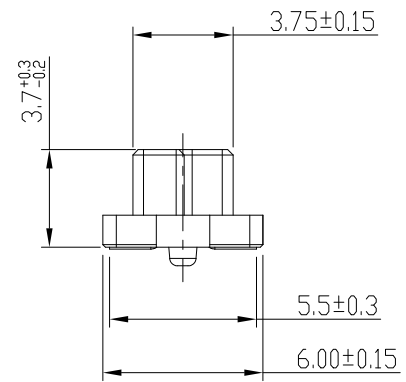
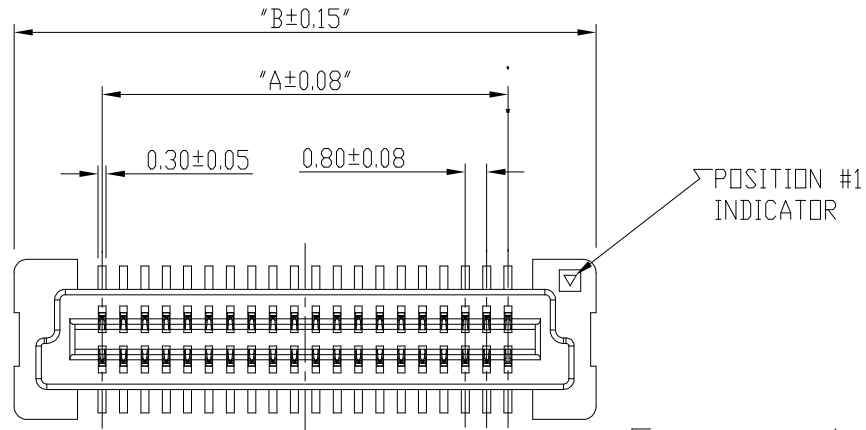
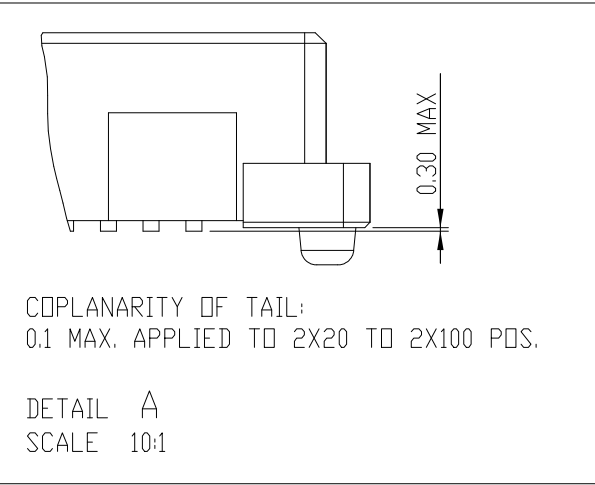
- NOTES:
- MATERIAL  
HOUSING: LCP UL 94V-0  
TERMINAL: NICKEL COPPER
  - PLATING  
AS SHOWN IN TABLE.
  - SEE GS-12-547 FOR PRODUCT SPEC.
  - SEE GS-14-551 AND GS-14-816 FOR THE DETAILS OF PACKAGING.  
PRODUCT WILL BE PACKED IN ACCORDANCE TO GLOBAL PROCEDURE GS-14-920.
  - PACKAGING OPTION 2: "NOT ALL SIZES AVAILABLE; CHECK WITH FACTORY".
  - THIS PRODUCT MEETS THE EUROPEAN UNION DIRECTIVES AND OTHER COUNTRY REGULATIONS AS DESCRIBED IN GS-22-008.
  - THE HOUSING WITH WITHSTAND EXPOSURE UP TO 260° PEAK TEMPERATURE FOR 30 SECONDS IN A CONVECTION, INFRA-RED OR VAPOR REFLOW OVEN.
  - PLATING OPTION "4" IS LEADFREE ALTERNATIVE FOR OPTION "0", AND OPTION "6" IS LEADFREE ALTERNATIVE FOR OPTION "1".
  - THIS PARTNUMBER ONLY CATER FOR SPECIAL CUSTOMER REQUIREMENT OF COPLANARITY OF 0.1 FOR ALL POSITION.

|             |                |            |                  |                                       |                                   |          |
|-------------|----------------|------------|------------------|---------------------------------------|-----------------------------------|----------|
| mat'l. code |                | surface    | tolerance        | projection                            | product family                    |          |
|             |                | ISO 1302 ✓ | ISO 406 ISO 1101 |                                       | BERGSTAK HPL545                   |          |
| ltr         | ecn no         | dr         | date             | tolerances unless otherwise specified | title                             |          |
| A           | S06-0286       | MCH        | 08/25/06         | angles                                | RECEPTACLE ASSY<br>BERGSTAK 0.8MM |          |
| B           | S06-0316       | MCH        | 09/25/06         | linear                                |                                   |          |
| C           | S09-0326       | MCH        | 10/21/09         | X±2'                                  | scale 1:1                         |          |
| D           | ELX-N-20407    | Jim        | 03/26/15         | dr                                    | M. Cheong                         | 08/25/06 |
| E           | ELX-N-28867    | Bob        | 12/22/17         | engr                                  | Bob Gu                            | 11/22/18 |
| F           | ELX-N-31885    | Bob        | 11/22/18         | chr                                   | LQ Lei                            | 11/22/18 |
|             |                |            |                  | appd                                  | Tim Yao                           | 11/22/18 |
| sheet index | revision sheet | E          | F                |                                       |                                   |          |
|             |                | 1~6        | 1~6              |                                       |                                   |          |

Amphenol FCI

© 2016 AFCI

| PRODUCT NO.     | NUMBER OF POSITIONS | DIMENSION |      |      |
|-----------------|---------------------|-----------|------|------|
|                 |                     | A         | B    | C    |
| 10069524-041*** | 2X20                | 15.2      | 21.8 | 20.2 |
| 10069524-061*** | 2X30                | 23.2      | 29.8 | 28.2 |
| 10069524-081*** | 2X40                | 31.2      | 37.8 | 36.2 |
| 10069524-101*** | 2X50                | 39.2      | 45.8 | 44.2 |
| 10069524-121*** | 2X60                | 47.2      | 53.8 | 52.2 |
| 10069524-141*** | 2X70                | 55.2      | 61.8 | 60.2 |
| 10069524-161*** | 2X80                | 63.2      | 69.8 | 68.2 |
| 10069524-181*** | 2X90                | 71.2      | 77.8 | 76.2 |
| 10069524-201*** | 2X100               | 79.2      | 85.8 | 84.2 |



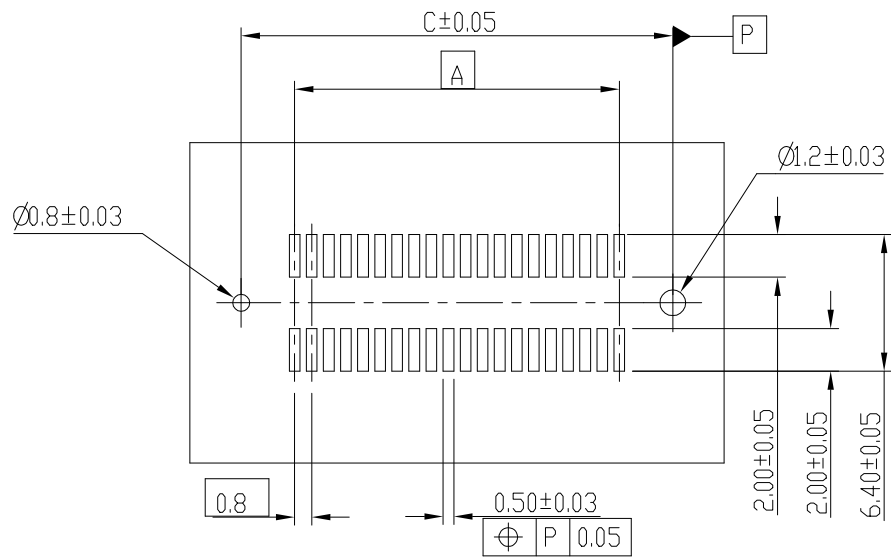
RECEPTACLE 1

|             |                |                    |                            |                                       |                                |                               |
|-------------|----------------|--------------------|----------------------------|---------------------------------------|--------------------------------|-------------------------------|
| mat'l. code |                | surface ISO 1302 ✓ | tolerance ISO 406 ISO 1101 | projection                            | product family BERGSTAK HPL545 |                               |
| ltr         | ecn no         | dr                 | date                       | tolerances unless otherwise specified | title                          |                               |
| F           |                |                    |                            | angles linear                         | RECEPTACLE ASSY BERGSTAK 0.8MM |                               |
|             |                |                    |                            | x±2'                                  | mm                             | dwg no                        |
|             |                |                    |                            | dr M. Cheong 08/25/06                 | scale 1:1                      | sheet 2 of 6                  |
|             |                |                    |                            | engr Bob Gu 11/22/18                  |                                | size                          |
|             |                |                    |                            | chr LQ Lei 11/22/18                   |                                | A3                            |
|             |                |                    |                            | appd Tim Yao 11/22/18                 |                                | type Product Customer Drawing |
| sheet index | revision sheet | F 1~6              |                            |                                       |                                |                               |

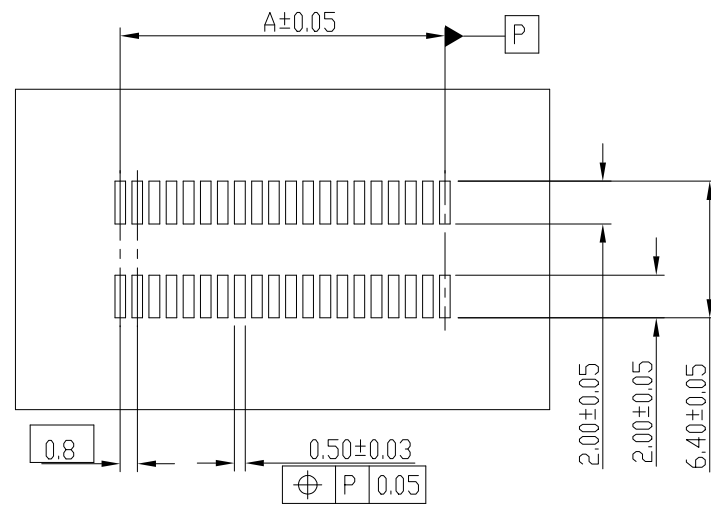
Amphenol FCI

© 2016 AFCI

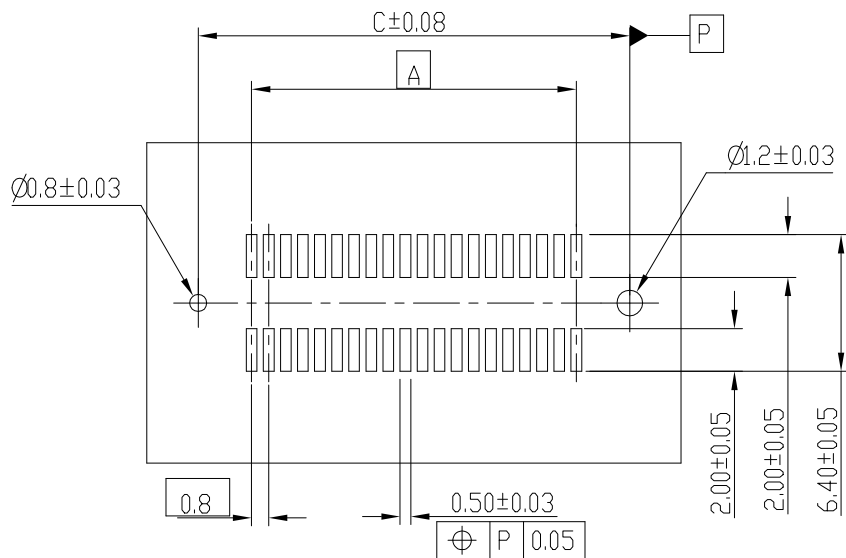
RECEPTACLE 1



RECOMMENDED PCB LAYOUT WITH PEGS  
FOR NO. OF POSITION 2X20, 2X30, 2X40, 2X50, 2X60



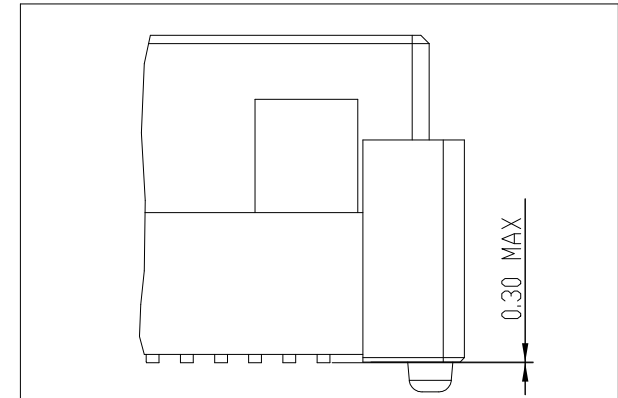
RECOMMENDED PCB LAYOUT WITHOUT PEGS



RECOMMENDED PCB LAYOUT WITH PEGS  
FOR NO. OF POSITION 2X70, 2X80, 2X90, 2X100

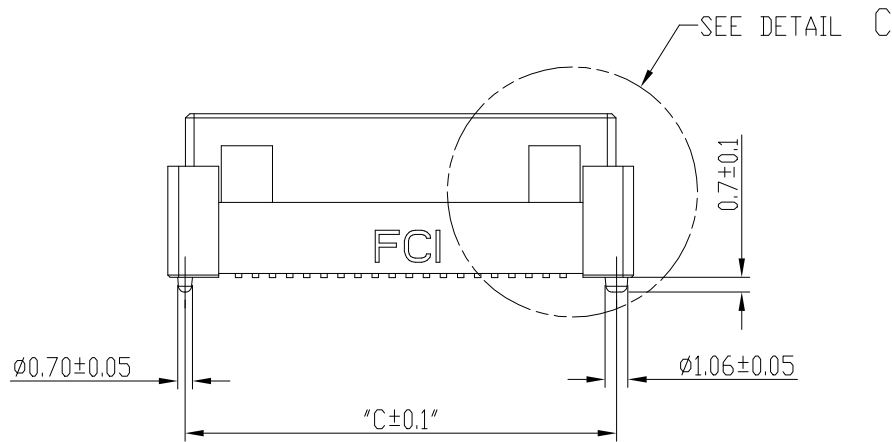
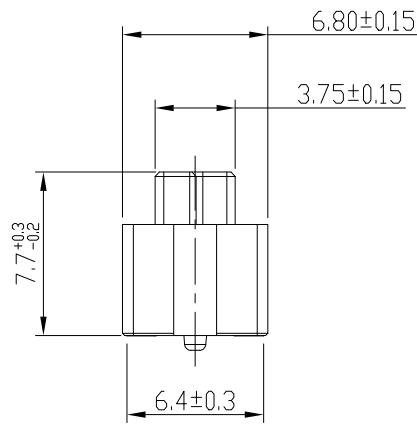
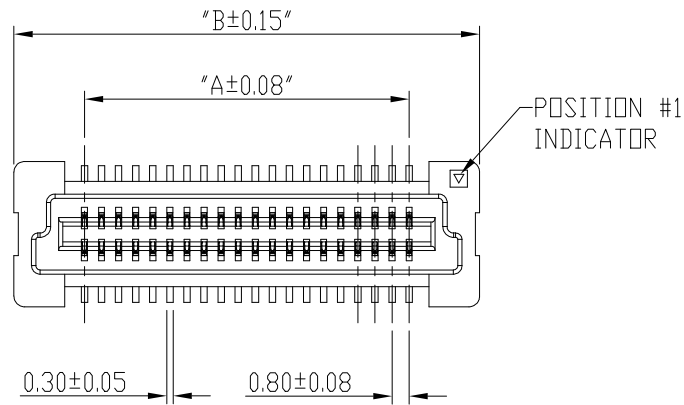
|             |                |                    |           |                                       |        |                 |  |                                      |  |
|-------------|----------------|--------------------|-----------|---------------------------------------|--------|-----------------|--|--------------------------------------|--|
| mat'l. code |                | surface ISO 1302 ✓ |           | tolerance ISO 406 ISO 1101            |        | projection 1101 |  | product family BERGSTAK HPL545       |  |
| ltr         | ecn no         | dr                 | date      | tolerances unless otherwise specified |        | mm              |  | title                                |  |
| F           |                |                    |           | angles                                | linear | mm              |  | RECEPTACLE ASSY<br>BERGSTAK 0.8MM    |  |
|             |                |                    |           | x'±2'                                 |        | scale 1:1       |  | dwg no 10069524 sheet 3 of 6 size A3 |  |
|             |                | dr                 | M. Cheong | 08/25/06                              |        | Amphenol FCI    |  | type Product Customer Drawing        |  |
|             |                | engr               | Bob Gu    | 11/22/18                              |        |                 |  |                                      |  |
|             |                | chr                | LQ Lei    | 11/22/18                              |        |                 |  |                                      |  |
|             |                | appd               | Tim Yao   | 11/22/18                              |        |                 |  |                                      |  |
| sheet index | revision sheet | F 1~6              |           |                                       |        |                 |  |                                      |  |

| PRODUCT NO.     | NUMBER OF POSITIONS | DIMENSION |      |      |
|-----------------|---------------------|-----------|------|------|
|                 |                     | A         | B    | C    |
| 10069524-042*** | 2X20                | 15.2      | 21.8 | 20.2 |
| 10069524-062*** | 2X30                | 23.2      | 29.8 | 28.2 |
| 10069524-082*** | 2X40                | 31.2      | 37.8 | 36.2 |
| 10069524-102*** | 2X50                | 39.2      | 45.8 | 44.2 |
| 10069524-122*** | 2X60                | 47.2      | 53.8 | 52.2 |
| 10069524-142*** | 2X70                | 55.2      | 61.8 | 60.2 |
| 10069524-162*** | 2X80                | 63.2      | 69.8 | 68.2 |
| 10069524-182*** | 2X90                | 71.2      | 77.8 | 76.2 |
| 10069524-202*** | 2X100               | 79.2      | 85.8 | 84.2 |



COPLANARITY OF TAIL  
0.1 MAX APPLIED TO 2X20 TO 2X100 PDS.

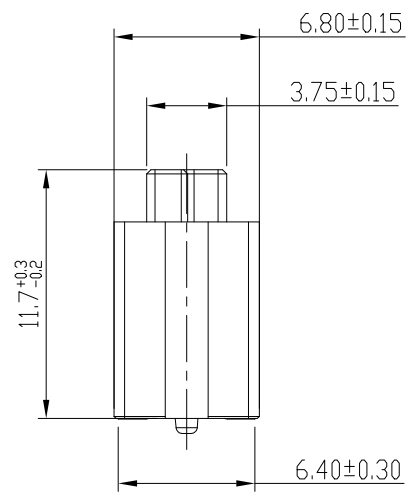
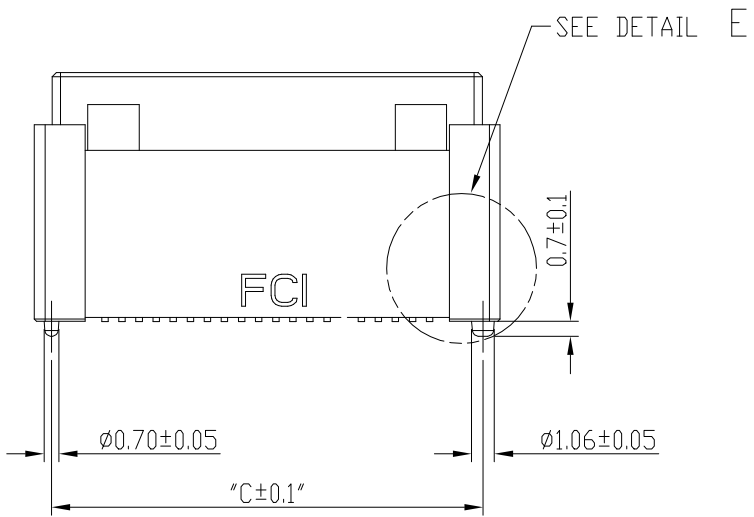
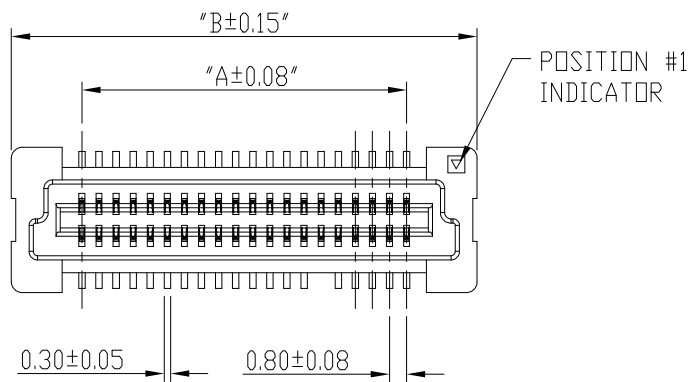
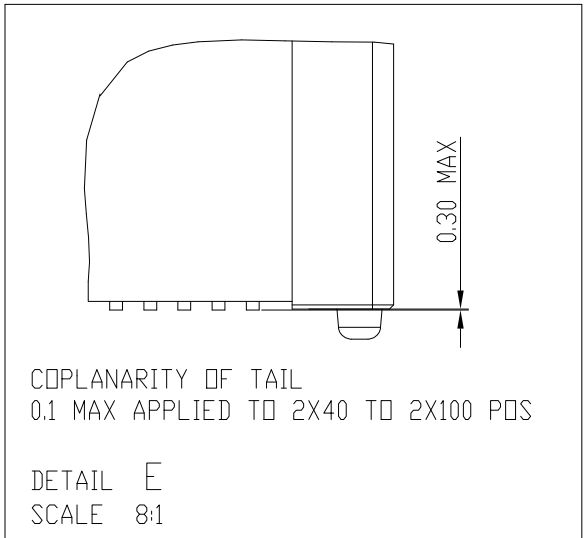
DETAIL C  
SCALE 8:1



RECEPTACLE 2

|             |  |                    |  |                            |  |            |  |                          |  |
|-------------|--|--------------------|--|----------------------------|--|------------|--|--------------------------|--|
| mat'l. code |  | surface ISO 1302 ✓ |  | tolerance ISO 406 ISO 1101 |  | projection |  | product family           |  |
| ltr         |  | ecn no             |  | dr                         |  | date       |  | BERGSTAK HPL545          |  |
| F           |  |                    |  |                            |  |            |  | title                    |  |
|             |  |                    |  |                            |  |            |  | RECEPTACLE ASSY          |  |
|             |  |                    |  |                            |  |            |  | BERGSTAK 0.8MM           |  |
|             |  |                    |  |                            |  |            |  | dwg no                   |  |
|             |  |                    |  |                            |  |            |  | sheet 4 of 6             |  |
|             |  |                    |  |                            |  |            |  | size                     |  |
|             |  |                    |  |                            |  |            |  | A3                       |  |
|             |  |                    |  |                            |  |            |  | type                     |  |
|             |  |                    |  |                            |  |            |  | Product Customer Drawing |  |
| sheet index |  | revision sheet     |  | F 1~6                      |  |            |  |                          |  |

| PRODUCT NO.     | NUMBER OF POSITIONS | DIMENSION |      |      |
|-----------------|---------------------|-----------|------|------|
|                 |                     | A         | B    | C    |
| 10069524-043*** | 2X20                | 15.2      | 21.8 | 20.2 |
| 10069524-063*** | 2X30                | 23.2      | 29.8 | 28.2 |
| 10069524-083*** | 2X40                | 31.2      | 37.8 | 36.2 |
| 10069524-103*** | 2X50                | 39.2      | 45.8 | 44.2 |
| 10069524-123*** | 2X60                | 47.2      | 53.8 | 52.2 |
| 10069524-143*** | 2X70                | 55.2      | 61.8 | 60.2 |
| 10069524-163*** | 2X80                | 63.2      | 69.8 | 68.2 |
| 10069524-183*** | 2X90                | 71.2      | 77.8 | 76.2 |
| 10069524-203*** | 2X100               | 79.2      | 85.8 | 84.2 |



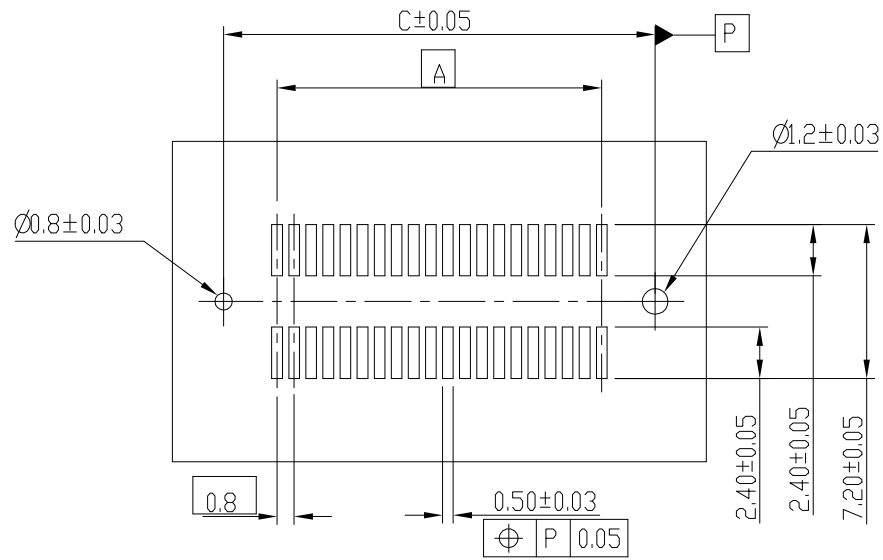
RECEPTACLE 3

|             |  |                    |  |                            |  |                                       |  |                               |  |
|-------------|--|--------------------|--|----------------------------|--|---------------------------------------|--|-------------------------------|--|
| mat'l. code |  | surface ISO 1302 ✓ |  | tolerance ISO 406 ISO 1101 |  | projection                            |  | product family                |  |
| ltr         |  | ecn no             |  | date                       |  | tolerances unless otherwise specified |  | BERGSTAK HPL545               |  |
| F           |  |                    |  |                            |  | mm                                    |  | title                         |  |
|             |  |                    |  |                            |  | scale 1:1                             |  | RECEPTACLE ASSY               |  |
|             |  |                    |  |                            |  | Amphenol FCI                          |  | BERGSTAK 0.8MM                |  |
|             |  |                    |  | dr M. Cheong 08/25/06      |  |                                       |  | dwg no                        |  |
|             |  |                    |  | engr Bob Gu 11/22/18       |  |                                       |  | sheet 5 of 6                  |  |
|             |  |                    |  | chr LQ Lei 11/22/18        |  |                                       |  | size                          |  |
|             |  |                    |  | appd Tim Yao 11/22/18      |  |                                       |  | A3                            |  |
| sheet index |  | revision F         |  |                            |  |                                       |  | type Product Customer Drawing |  |
| 1~6         |  |                    |  |                            |  |                                       |  |                               |  |

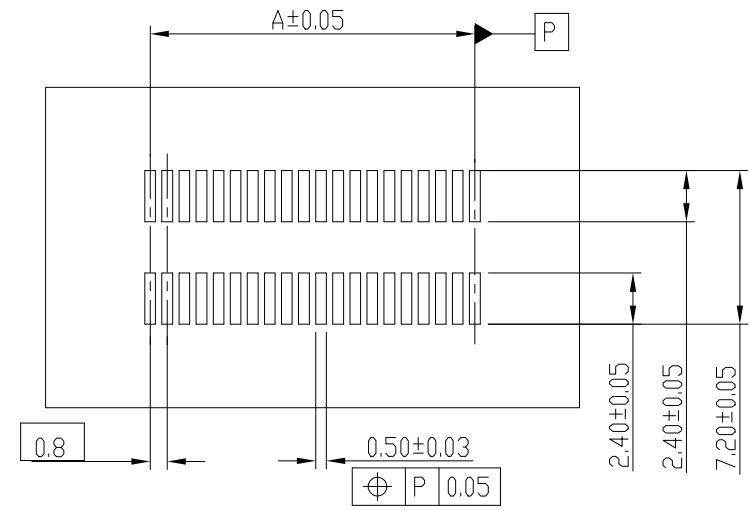
Amphenol FCI

© 2016 AFCI

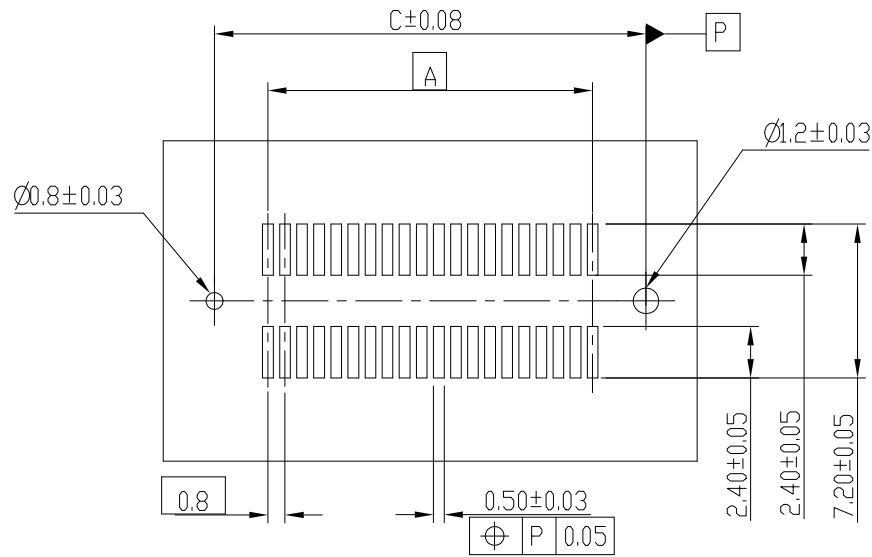
RECEPTACLE 2 & 3



RECOMMENDED PCB LAYOUT WITH PEGS  
FOR NO. OF POSITION 2X20, 2X30, 2X40, 2X50, 2X60



RECOMMENDED PCB LAYOUT WITHOUT PEGS AND HOLDDOWN



RECOMMENDED PCB LAYOUT WITH PEGS  
FOR NO. OF POSITION 2X70, 2X80, 2X90, 2X100

|             |          |            |                  |                                       |                                   |
|-------------|----------|------------|------------------|---------------------------------------|-----------------------------------|
| mat'l. code |          | surface    | tolerance        | projection                            | product family                    |
|             |          | ISO 1302 ✓ | ISO 406 ISO 1101 |                                       | BERGSTAK HPL545                   |
| ltr         | ecn no   | dr         | date             | tolerances unless otherwise specified | title                             |
| F           |          |            |                  | mm                                    | RECEPTACLE ASSY<br>BERGSTAK 0.8MM |
|             |          |            |                  | linear                                |                                   |
|             |          |            |                  | angles                                |                                   |
|             |          |            |                  | X'±2'                                 | scale 1:1                         |
|             |          |            |                  | dr                                    | M. Cheong 08/25/06                |
|             |          |            |                  | engr                                  | Bob Gu 11/22/18                   |
|             |          |            |                  | chr                                   | LQ Lei 11/22/18                   |
|             |          |            |                  | appd                                  | Tim Yao 11/22/18                  |
| sheet index | revision | F          |                  |                                       | Amphenol FCI                      |
|             | sheet    | 1~6        |                  |                                       | dwg no 10069524                   |
|             |          |            |                  |                                       | sheet 6 of 6                      |
|             |          |            |                  |                                       | size A3                           |
|             |          |            |                  |                                       | type Product Customer Drawing     |

Компания «Океан Электроники» предлагает заключение долгосрочных отношений при поставках импортных электронных компонентов на взаимовыгодных условиях!

Наши преимущества:

- Поставка оригинальных импортных электронных компонентов напрямую с производств Америки, Европы и Азии, а так же с крупнейших складов мира;
- Широкая линейка поставок активных и пассивных импортных электронных компонентов (более 30 млн. наименований);
- Поставка сложных, дефицитных, либо снятых с производства позиций;
- Оперативные сроки поставки под заказ (от 5 рабочих дней);
- Экспресс доставка в любую точку России;
- Помощь Конструкторского Отдела и консультации квалифицированных инженеров;
- Техническая поддержка проекта, помощь в подборе аналогов, поставка прототипов;
- Поставка электронных компонентов под контролем ВП;
- Система менеджмента качества сертифицирована по Международному стандарту ISO 9001;
- При необходимости вся продукция военного и аэрокосмического назначения проходит испытания и сертификацию в лаборатории (по согласованию с заказчиком);
- Поставка специализированных компонентов военного и аэрокосмического уровня качества (Xilinx, Altera, Analog Devices, Intersil, Interpoint, Microsemi, Actel, Aeroflex, Peregrine, VPT, Syfer, Eurofarad, Texas Instruments, MS Kennedy, Miteq, Cobham, E2V, MA-COM, Hittite, Mini-Circuits, General Dynamics и др.);

Компания «Океан Электроники» является официальным дистрибьютором и эксклюзивным представителем в России одного из крупнейших производителей разъемов военного и аэрокосмического назначения «JONHON», а так же официальным дистрибьютором и эксклюзивным представителем в России производителя высокотехнологичных и надежных решений для передачи СВЧ сигналов «FORSTAR».



## JONHON

«JONHON» (основан в 1970 г.)

Разъемы специального, военного и аэрокосмического назначения:

(Применяются в военной, авиационной, аэрокосмической, морской, железнодорожной, горно- и нефтедобывающей отраслях промышленности)

«FORSTAR» (основан в 1998 г.)

ВЧ соединители, коаксиальные кабели, кабельные сборки и микроволновые компоненты:

(Применяются в телекоммуникациях гражданского и специального назначения, в средствах связи, РЛС, а так же военной, авиационной и аэрокосмической отраслях промышленности).



Телефон: 8 (812) 309-75-97 (многоканальный)

Факс: 8 (812) 320-03-32

Электронная почта: [ocean@oceanchips.ru](mailto:ocean@oceanchips.ru)

Web: <http://oceanchips.ru/>

Адрес: 198099, г. Санкт-Петербург, ул. Калинина, д. 2, корп. 4, лит. А