

NOTES:

△ PART NUMBER VARIABLES: NOT ALL POSSIBLE CONFIGURATIONS SHOWN ON THIS DRAWING ARE AVAILABLE AS STANDARD PRODUCTS. PLEASE CHECK WITH RAYCHEM TO CONFIRM AVAILABILITY.

THIS FIELD OF NUMBERS IS REPLACED BY 3 DIGITS (-001 / -999) FOR SPECIALS

MODIFICATIONS: REFER TO APPLICABLE MOD DESCRIPTION SHEET. "BLANK WHEN NOT APPLICABLE"

POST CONFIGURATIONS  
 1 = LONG POST  
 2 = SHORT POST  
 3 = POST BENT 90° "B" DIRECTION

FINISH  
 2 = NICKEL PLATED  
 3 = CADMIUM OVER NICKEL PLATED

SIZE  
 1 = 1 INCH  
 2 = 2 INCH

STYLE  
 C = FLANGED WITH CONDUCTIVE PANEL GASKET AND EXTERNAL MOUNTING HARDWARE  
 D = FLANGED WITH FLUOROSILICONE PANEL GASKET AND EXTERNAL MOUNTING HARDWARE  
 F = FLANGED WITH FLUOROSILICONE PANEL GASKET  
 S = FLANGED WITH CONDUCTIVE PANEL GASKET  
 Y = SPECIAL (REFER TO INDIVIDUAL SPECIFICATION CONTROL DRAWINGS FOR DESCRIPTIONS)

2. A SOCKET BOXMOUNT RECEPTACLE MATES WITH A MTC PLUG CONTAINING PIN INSERTS. REFER TO APPLICABLE RAYCHEM SPECIFICATION CONTROL DRAWINGS FOR DETAILS.

△ FOR KEYING INFORMATION, SEE RAYCHEM DRAWING D-659-0080.

△ THESE ITEMS ARE SUPPLIED UNASSEMBLED.

△ DIMENSION SHOWN IS WITH MATED PLUG CONNECTOR:  
 a. WITH CABLE CLAMP  
 b. WITHOUT CABLE CLAMP AND WITHOUT EARS

△ THIS BOXMOUNT RECEPTACLE IS REAR PANEL MOUNTED AS SHOWN BY REMOVING AS MANY PANEL WASHERS AS REQUIRED TO ACCOMMODATE THE THICKNESS OF THE PANEL BEING USED. REFER TO SHEET 3, FIGURE 4 AND TABLE 2.

△ WIRE WRAPPABLE TERMINATION POST DESIGNED TO MIL-STD-1130.

△ KIT NUMBER CHA-0046-XXX IS AVAILABLE FOR MOUNTING A CONNECTOR TO A PRINTED CIRCUIT BOARD. SEE SHEET 3, FIGURE 3 FOR THE HOLE PATTERN RECOMMENDATION.

△ SEE SHEET 3, TABLE 3 FOR WEIGHTS. WEIGHTS SHOWN ARE WITHOUT DUST CAP AND WITHOUT TERMINATION POST PROTECTOR.

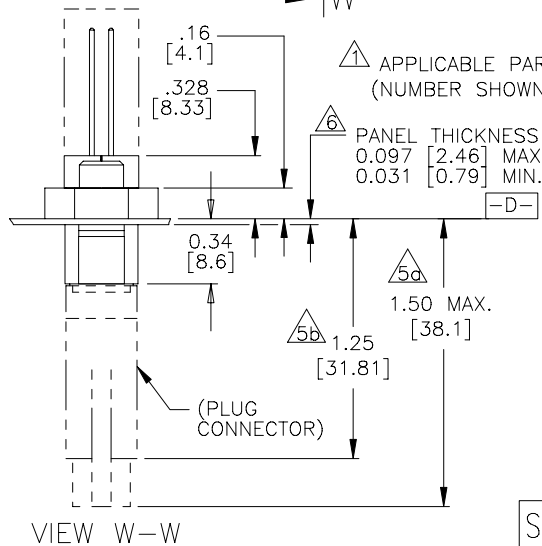
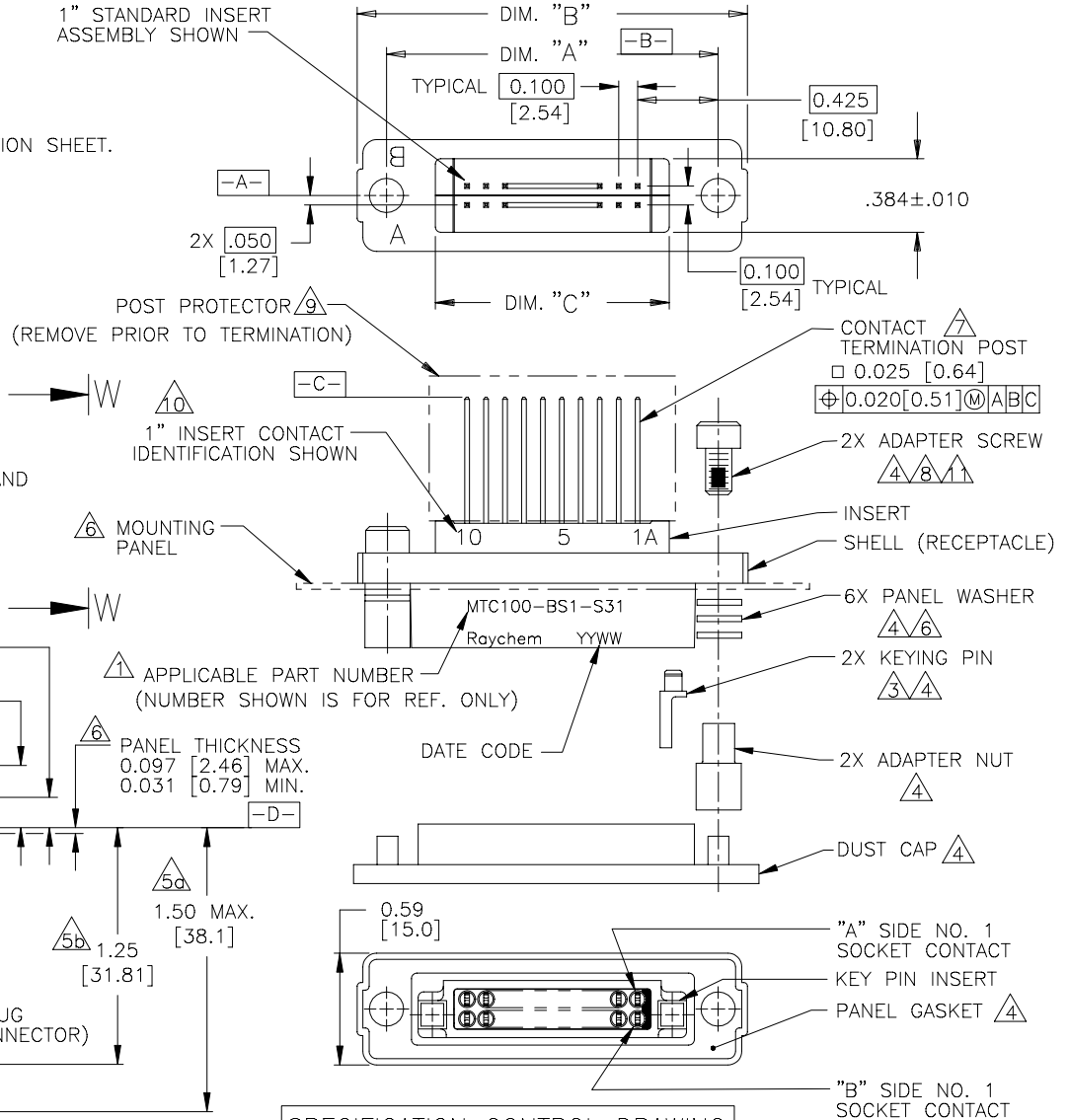
△ SEE SHEET 2 FIGURES FOR CONFIGURATION VARIATIONS.

△ TORQUE MOUNTING HARDWARE TO: 14-16 IN-LBS

If this document is printed it becomes uncontrolled. Check with the web for latest revision.

REVISIONS			
LTR	DESCRIPTION	DATE	APPROVED
G	REVISED PER ECN T-17996	01/08/93	R.LOVADO
H	REDRAWN ON CAD PER ECN T-22751	04/29/99	J.VALENTA

1" STANDARD INSERT ASSEMBLY SHOWN



SPECIFICATION CONTROL DRAWING

THIS DRAWING AND THE INFORMATION SET FORTH HEREON ARE THE PROPERTY OF RAYCHEM CORPORATION. PUBLICATION, DUPLICATION, DISCLOSURE OR USE FOR ANY PURPOSE OTHER THAN THE CUSTOMER'S DIRECT NEEDS FOR THE APPLICATION CONCERNED, ARE PROHIBITED. RAYCHEM RESERVES THE RIGHT TO AMEND THE DRAWING AT ANY TIME. RAYCHEM'S OBLIGATIONS SHALL ONLY BE AS SET FORTH IN RAYCHEM'S TERMS AND CONDITIONS OF SALE OF THIS PRODUCT. USERS SHOULD INDEPENDENTLY EVALUATE THE SUITABILITY OF THIS PRODUCT FOR THEIR APPLICATION.	UNLESS OTHERWISE SPECIFIED DIMENSIONS ARE IN INCHES. METRIC DIMENSIONS ARE IN BRACKETS.  DECIMALS .XXX ± .005 [0.13 mm] .XX ± .02 [0.51 mm]  ANGLES .X ±  WEIGHT	RE-DRAWN	J.VALENTA	04/20/98	Raychem RAYCHEM CORPORATION 300 CONSTITUTION DRIVE MENLO PARK, CALIFORNIA 94025					
		CHECKED				TITLE				
		APPROVED	M.HIGGY	04/26/98		CONNECTOR, RECEPTACLE, FLANGED, BOXMOUNT, SOCKET, .025 SQ. TERMINATION POST, MTC100 SERIES				
		APPROVED				SIZE				
			CAD NAME	T22751a.DWG	CODE IDENT. NO.	06090	DWG. NO.	MTC100-BXX-SXX-XXX	REV	H
			THIRD ANGLE PROJECTION		DO NOT SCALE THIS DRAWING				SHEET 1 OF 3	

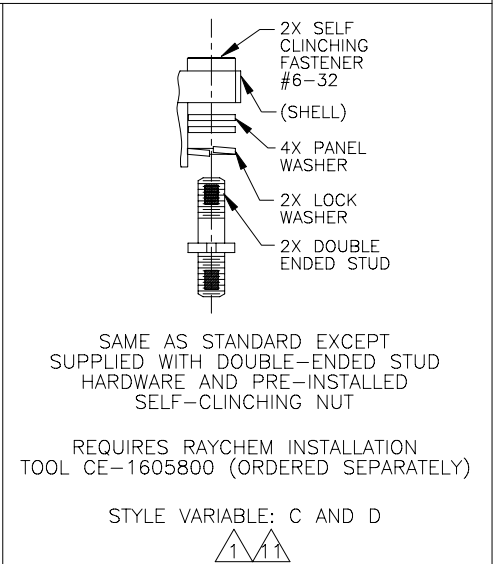
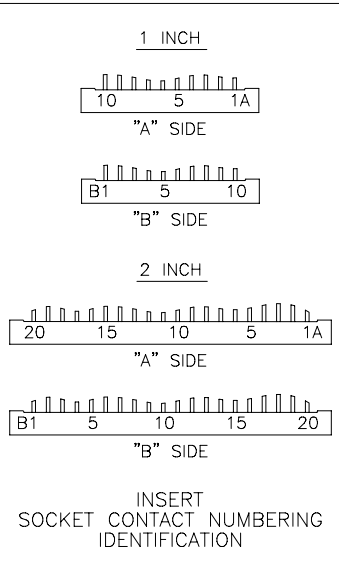
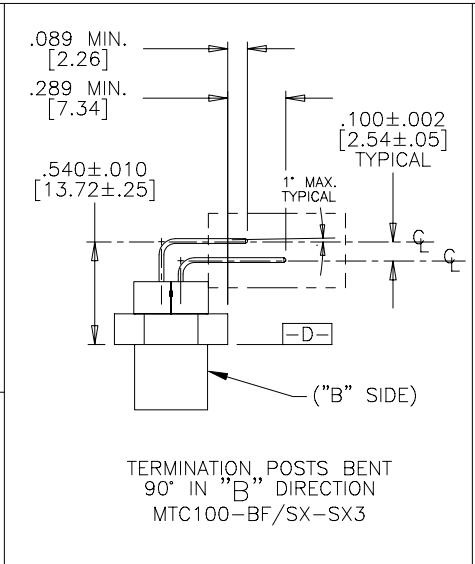
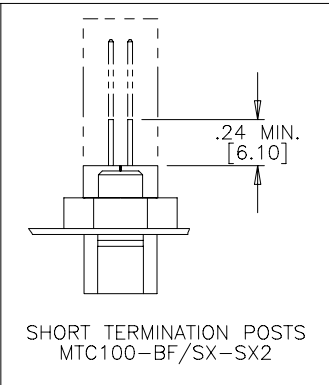
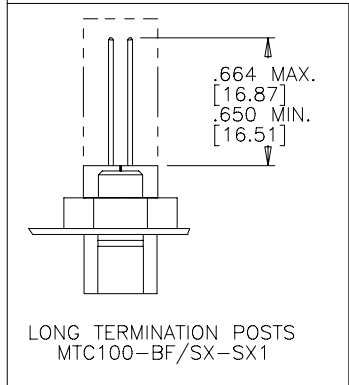
4

3

2

1

FIGURE 1  
BASIC DESIGN VARIATIONS



If this document is printed it becomes uncontrolled.  
Check with the web for latest revision.

SIZE C	CODE IDENT. NO. 06090	DWG. NO. MTC100-BXX-SXX-XXX	REV H
DO NOT SCALE THIS DRAWING		DWG. NAME T22751b.DWG	SHEET 2 OF 3

4

3

2

1

SHEET 2  
MTC100-BXX-SXX-XXX

SPECIFICATIONS:

MATERIALS:

- |  |  |
|--|--|
| A. SHELL                                     | ALUMINUM ALLOY PER QQ-A-591                                    |
| B. ADAPTER SCREW                             | STAINLESS STEEL PER QQ-S-763, 300 SERIES                       |
| C. ADAPTER NUT                               | STAINLESS STEEL PER QQ-S-763, 300 SERIES                       |
| D. STANDARD PANEL GASKET<br>EME PANEL GASKET | SILICONE ELASTOMER PER MIL-R-25988<br>CONDUCTIVE FLOROSILICONE |
| E. INSERT                                    | HIGH GRADE THERMOPLASTIC DIELECTRIC                            |
| F. KEYING PIN                                | HIGH GRADE THERMOPLASTIC DIELECTRIC                            |
| G. SOCKET CONTACT                            | COPPER ALLOY 172 PER QQ-C-533                                  |
| H. PANEL WASHER                              | STAINLESS STEEL PER QQ-S-763, 300 SERIES                       |
| J. KEYING PIN INSERT                         | HIGH GRADE THERMOPLASTIC DIELECTRIC                            |

FINISH:

	APPLIES TO NICKEL PLATED CONNECTORS (STANDARD PLATING)	APPLIES TO CADMIUM PLATED CONNECTORS
A. SHELL	NICKEL PLATED PER MIL-C-26074 CLASS 3, GRADE B	CADMIUM PLATED PER QQ-P-416 OVER NICKEL UNDERPLATE
B. ADAPTER SCREW	PASSIVATED PER QQ-P-35	CADMIUM PLATED PER QQ-P-416
C. ADAPTER NUT	PASSIVATED PER QQ-P-35	CADMIUM PLATED PER QQ-P-416
D. PANEL WASHER	PASSIVATED PER QQ-P-35	CADMIUM PLATED PER QQ-P-416
E. SOCKET CONTACT	ENGAGING END - GOLD PLATED PER MIL-G-45204 TYPE 1, GRADE C, CLASS 1	

DESIGN AND CONSTRUCTION:

THE CONNECTORS SPECIFIED HEREIN ARE PANEL MOUNTED RECEPTACLES WITH FIXED (NON-REMOVABLE) SOCKET INSERTS AND CONTACTS. THE CONNECTOR IS WITHOUT PROVISIONS FOR CABLE CLAMPS OR TERMINATION SEALS.

PERFORMANCE:

THE APPLICABLE RAYCHEM SPECIFICATION FOR THIS PART IS C6111. THIS PART IS NOT QUALIFIED TO C6111.

HUMIDITY  
ALTITUDE IMMERSION  
ALTITUDE - LOW TEMPERATURE  
FLUID IMMERSION

THE CONNECTOR TERMINATION END MUST BE SUITABLY PROTECTED FOR TESTING OR APPLICATION IN ANY OF THESE ENVIRONMENTS.

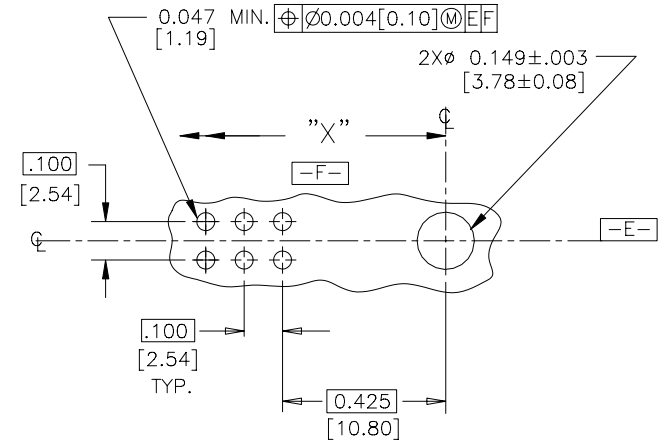


FIGURE 3  
RECOMMENDED HOLE PATTERN AND SIZE FOR PRINTED CIRCUIT BOARDS

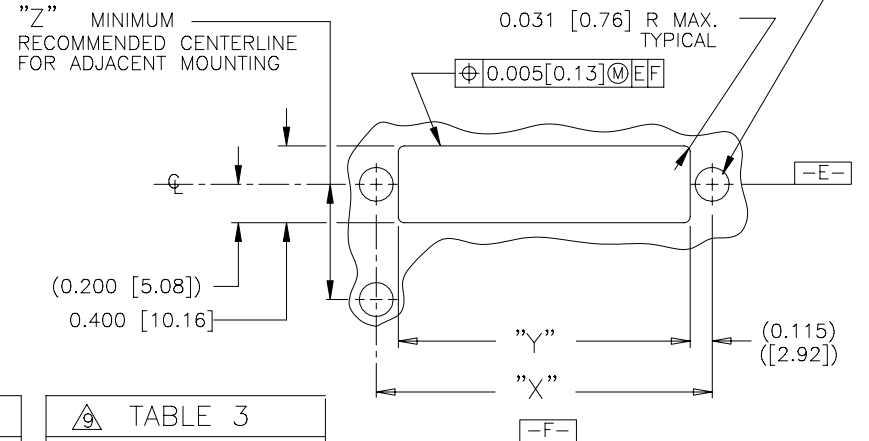


FIGURE 4  
RECOMMENDED PANEL CUT-OUT

CONNECTOR SIZE	"A"	"B"	"C"	"X"	"Y"	"Z"
1 INCH	1.750 [44.45]	2.06 [52.3]	1.234 [31.34]	1.750 [44.45]	1.520 [38.61]	0.600 [15.24]
2 INCH	2.750 [69.85]	3.06 [77.7]	2.234 [56.74]	2.750 [69.85]	2.520 [64.00]	0.600 [15.24]

PANEL THICKNESS	NUMBER OF PANEL WASHERS FOR EACH FASTENER
0.031/0.036 [0.8]/[0.9]	2
0.062/0.067 [1.5]/[1.7]	1
0.93/0.097 [2.3]/[2.4]	0

WEIGHT lbs.[gr.] MAX.	
1 INCH CONNECTOR	.049 [22.33]
2 INCH CONNECTOR	.068 [30.82]

If this document is printed it becomes uncontrolled. Check with the web for latest revision.

SIZE C	CODE IDENT. NO. 06090	DWG. NO. MTC100-BXX-SXX-XXX	REV H
DO NOT SCALE THIS DRAWING		DWG. NAME T22751c.DWG	SHEET 3 OF 3

Компания «Океан Электроники» предлагает заключение долгосрочных отношений при поставках импортных электронных компонентов на взаимовыгодных условиях!

Наши преимущества:

- Поставка оригинальных импортных электронных компонентов напрямую с производств Америки, Европы и Азии, а так же с крупнейших складов мира;
- Широкая линейка поставок активных и пассивных импортных электронных компонентов (более 30 млн. наименований);
- Поставка сложных, дефицитных, либо снятых с производства позиций;
- Оперативные сроки поставки под заказ (от 5 рабочих дней);
- Экспресс доставка в любую точку России;
- Помощь Конструкторского Отдела и консультации квалифицированных инженеров;
- Техническая поддержка проекта, помощь в подборе аналогов, поставка прототипов;
- Поставка электронных компонентов под контролем ВП;
- Система менеджмента качества сертифицирована по Международному стандарту ISO 9001;
- При необходимости вся продукция военного и аэрокосмического назначения проходит испытания и сертификацию в лаборатории (по согласованию с заказчиком);
- Поставка специализированных компонентов военного и аэрокосмического уровня качества (Xilinx, Altera, Analog Devices, Intersil, Interpoint, Microsemi, Actel, Aeroflex, Peregrine, VPT, Syfer, Eurofarad, Texas Instruments, MS Kennedy, Miteq, Cobham, E2V, MA-COM, Hittite, Mini-Circuits, General Dynamics и др.);

Компания «Океан Электроники» является официальным дистрибьютором и эксклюзивным представителем в России одного из крупнейших производителей разъемов военного и аэрокосмического назначения «JONHON», а так же официальным дистрибьютором и эксклюзивным представителем в России производителя высокотехнологичных и надежных решений для передачи СВЧ сигналов «FORSTAR».



## JONHON

«JONHON» (основан в 1970 г.)

Разъемы специального, военного и аэрокосмического назначения:

(Применяются в военной, авиационной, аэрокосмической, морской, железнодорожной, горно- и нефтедобывающей отраслях промышленности)

«FORSTAR» (основан в 1998 г.)

ВЧ соединители, коаксиальные кабели, кабельные сборки и микроволновые компоненты:

(Применяются в телекоммуникациях гражданского и специального назначения, в средствах связи, РЛС, а так же военной, авиационной и аэрокосмической отраслях промышленности).



Телефон: 8 (812) 309-75-97 (многоканальный)

Факс: 8 (812) 320-03-32

Электронная почта: [ocean@oceanchips.ru](mailto:ocean@oceanchips.ru)

Web: <http://oceanchips.ru/>

Адрес: 198099, г. Санкт-Петербург, ул. Калинина, д. 2, корп. 4, лит. А