

**ON Semiconductor**<sup>®</sup>



**KAF-16803 IMAGE SENSOR**

**4096 (H) X 4096 (V) FULL FRAME CCD IMAGE SENSOR**



**JUNE 24, 2014**

**DEVICE PERFORMANCE SPECIFICATION**

**REVISION 1.1 PS-0040**



## TABLE OF CONTENTS

<b>Summary Specification</b> .....	<b>5</b>
Description .....	5
Key Features .....	5
Applications .....	5
<b>Ordering Information</b> .....	<b>6</b>
<b>Device Description</b> .....	<b>7</b>
Architecture .....	7
Dummy Pixels .....	7
Internal Test .....	7
Dark Reference Pixels .....	8
Active Buffer Pixels .....	8
Image Acquisition .....	8
Charge Transport .....	8
Horizontal Register .....	9
Output Structure .....	9
Output Load .....	10
Physical Description .....	11
Pin Description and Device Orientation .....	11
<b>Imaging Performance</b> .....	<b>13</b>
Typical Operational Conditions .....	13
Specifications .....	13
<b>Typical Performance Curves</b> .....	<b>14</b>
Noise Floor .....	15
<b>Defect Definitions</b> .....	<b>16</b>
Operating Conditions .....	16
Specifications .....	16
<b>Operation</b> .....	<b>17</b>
Absolute Maximum Ratings .....	17
Power-up Sequence .....	17
DC Bias Operating Conditions .....	18
AC Operating Conditions .....	18
Clock Levels .....	18
Capacitance Equivalent Circuit .....	19
<b>Timing</b> .....	<b>20</b>
Requirements and Characteristics .....	20
Edge Alignment .....	21
Frame Timing .....	22
Frame Timing Detail .....	22
Line Timing (each output) .....	23
Pixel Timing .....	23
Pixel Timing Detail .....	24
Example Waveforms .....	25
Video Waveform Horizontal CCD Clocks .....	25
Video Waveform and Clamp Clock .....	26
Video Waveform and Sample Clock .....	26
<b>Storage and Handling</b> .....	<b>27</b>
Storage Conditions .....	27
ESD .....	27



---

Cover Glass Care and Cleanliness .....	27
Environmental Exposure .....	27
Soldering Recommendations .....	27
<b>Mechanical Information .....</b>	<b>28</b>
Completed Assembly.....	28
Cover Glass Specification.....	29
<b>Quality Assurance and Reliability.....</b>	<b>30</b>
Quality and Reliability .....	30
Replacement.....	30
Liability of the Supplier .....	30
Liability of the Customer .....	30
Test Data Retention.....	30
Mechanical.....	30
<b>Life Support Applications Policy .....</b>	<b>30</b>
<b>Revision Changes.....</b>	<b>31</b>
MTD/PS-0994.....	31
PS-0040 .....	31



## TABLE OF FIGURES

Figure 1: Block Diagram .....	7
Figure 2: Output Architecture .....	9
Figure 3: Recommended Output Structure Load Diagram. ....	10
Figure 4: Device Orientation and Pinout .....	11
Figure 5: Typical Spectral Response.....	14
Figure 6: Typical Angle Response .....	14
Figure 7: Dark Current .....	15
Figure 8: Noise Floor .....	15
Figure 9: Equivalent Circuit Model .....	19
Figure 10: Edge Alignment .....	21
Figure 11: Frame Timing .....	22
Figure 12: Frame Timing Detail .....	22
Figure 13: Line Timing .....	23
Figure 14: Pixel Timing .....	23
Figure 15: Pixel Timing Detail .....	24
Figure 16: Horizontal Clock Waveform .....	25
Figure 17: Video Waveform.....	25
Figure 18: Video and Clamp .....	26
Figure 19: Video and Sample Clock .....	26
Figure 20: Completed Assembly Drawing (1 of 1) .....	28



## Summary Specification

### KAF-16803 Image Sensor

#### DESCRIPTION

The KAF-16803 image sensor is a redesigned version of the popular KAF-16801 image sensor (4096 x 4096 pixel resolution), with enhancements that specifically target the needs of high performance digital radiography applications. Improvements include enhanced quantum efficiency for improved DQE at higher spatial frequencies, lower noise for improved contrast in areas of high density, and anti-blooming protection to prevent image bleed from over exposure in regions outside the patient.

The sensor utilizes the TRUESENSE Transparent Gate Electrode to improve sensitivity compared to the use of a standard front side illuminated polysilicon electrode, as well as microlenses to maximize light sensitivity. When combined with large imaging area and small pixel size, the KAF-16803 provides the sensitivity, resolution and contrast necessary for high quality digital radiographs.

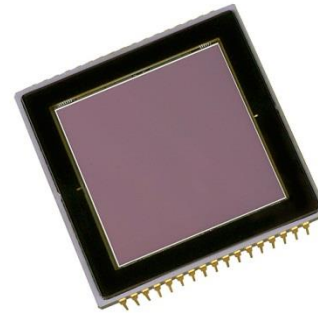
To simplify device integration, the KAF-16803 image sensor uses the same pin-out and package as the KAF-16801 image sensor.

#### KEY FEATURES

- TRUESENSE Transparent Gate Electrode for high sensitivity
- High Resolution
- Large Image Area
- High Quantum Efficiency
- Low Noise Architecture
- Broad Dynamic Range

#### APPLICATIONS

- Medical
- Scientific



Parameter	Typical Value
Architecture	Full Frame CCD; Square Pixels
Total Number of Pixels	4145 (H) x 4128 (V) = 17.1 Mp
Number of Effective Pixels	4127 (H) x 4128 (V) = 17.0 Mp
Number of Active Pixels	4096 (H) x 4096 (V) = 16.8 Mp
Pixel Size	9 $\mu\text{m}$ (H) x 9 $\mu\text{m}$ (V)
Active Image Size	36.8 mm (H) x 36.8 mm (V) 52.1 mm Diagonal
Aspect Ratio	1:1
Horizontal Outputs	1
Saturation Signal	100 $\text{ke}^-$
Output Sensitivity	22 $\mu\text{V}/\text{e}^-$
Quantum Efficiency (550nm)	60%
Responsivity (550 nm)	28.7 $\text{V}/\mu\text{J}/\text{cm}^2$
Read Noise (f = 4 MHz)	9 $\text{e}^-$
Dark Signal (T = 25 °C)	3 $\text{e}^-/\text{pix}/\text{sec}$
Dark Current Doubling Temperature	6.3 °C
Linear Dynamic Range (f = 4 MHz, T = 25 °C)	80 dB
Blooming Protection (4 ms exposure time)	> 100 X saturation exposure
Maximum Data Rate	10 MHz
Package	CERDIP (Sidebrazed, CuW)
Cover Glass	AR coated, 2 sides and Taped Clear

All parameters above are specified at T = 25 °C, unless noted otherwise



## Ordering Information

Catalog Number	Product Name	Description	Marking Code
4H2053	KAF-16803-ABA-DD-BA	Monochrome, Microlens, CERDIP Package (sidebrazed, CuW), AR coated 2 sides, Standard grade	KAF-16803-ABA (Serial Number)
4H0863	KAF-16803-ABA-DD-AE	Monochrome, Microlens, CERDIP Package (sidebrazed, CuW), AR coated 2 sides, Engineering sample	
4H2054	KAF-16803-ABA-DP-BA	Monochrome, Microlens, CERDIP Package (sidebrazed, CuW), Taped clear coverglass, Standard grade	
4H0865	KAF-16803-ABA-DP-AE	Monochrome, Microlens, CERDIP Package (sidebrazed, CuW), Taped clear coverglass, Engineering sample	

See Application Note *Product Naming Convention* for a full description of the naming convention used for image sensors. For reference documentation, including information on evaluation kits, please visit our web site at [www.truesenseimaging.com](http://www.truesenseimaging.com).

Please address all inquiries and purchase orders to:

Truesense Imaging, Inc.  
 1964 Lake Avenue  
 Rochester, New York 14615

Phone: (585) 784-5500  
 E-mail: [info@truesenseimaging.com](mailto:info@truesenseimaging.com)

ON Semiconductor reserves the right to change any information contained herein without notice. All information furnished by ON Semiconductor is believed to be accurate.



## Device Description

### ARCHITECTURE

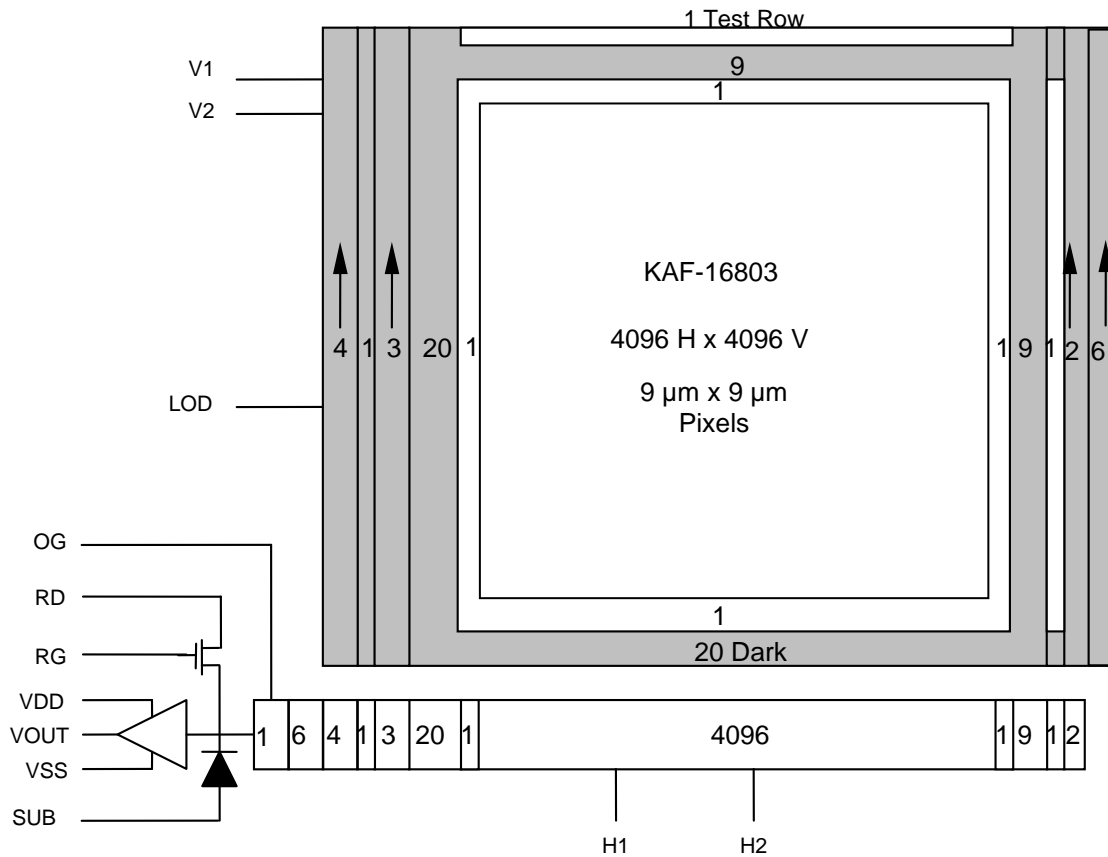


Figure 1: Block Diagram

Each line is composed of dummy pixels, internal test pixels, active buffer pixels, and valid photoactive pixels.

#### Dummy Pixels

Within each horizontal shift register the first pixels are 11 dummy pixels and should not be used to determine a dark reference level.

#### Internal Test

The next 4 pixels are introduced into the design to facilitate production testing. These behave differently than the buffer and dark pixels and should not be used to establish a dark reference. The last three pixels in each line are also internal test pixels and should not be used to establish a dark reference.



## Dark Reference Pixels

Surrounding the periphery of the device is a border of light shielded pixels creating a dark region. Within this dark region, exist light shielded pixels that include 20 leading dark pixels on every line. There are also 20 full dark lines at the start and 9 full dark lines at the end of every frame. Under normal circumstances, these pixels do not respond to light and may be used as a dark reference.

## Active Buffer Pixels

There is 1 photoactive buffer row and column adjacent to the valid photoactive pixels. These may have signals levels different from those in the imaging array and are not counted in the active pixel count.

## IMAGE ACQUISITION

An electronic representation of an image is formed when incident photons falling on the sensor plane create electron-hole pairs within the device. These photon-induced electrons are collected locally by the formation of potential wells at each pixel site. The number of electrons collected is linearly dependent on light level and exposure time and non-linearly dependent on wavelength. When the pixel's capacity is reached, excess electrons are discharged into the lateral overflow drain to prevent crosstalk or 'blooming'. During the integration period, the V1 and V2 register clocks are held at a constant (low) level.

## CHARGE TRANSPORT

The integrated charge from each pixel is transported to the output using a two-step process. Each line (row) of charge is first transported from the vertical CCDs to a horizontal CCD register using the V1 and V2 register clocks. The horizontal CCD is presented a new line on the falling edge of V2 while H1 is held high. The horizontal CCDs then transport each line, pixel by pixel, to the output structure by alternately clocking the H1 and H2 pins in a complementary fashion.





## HORIZONTAL REGISTER

### Output Structure

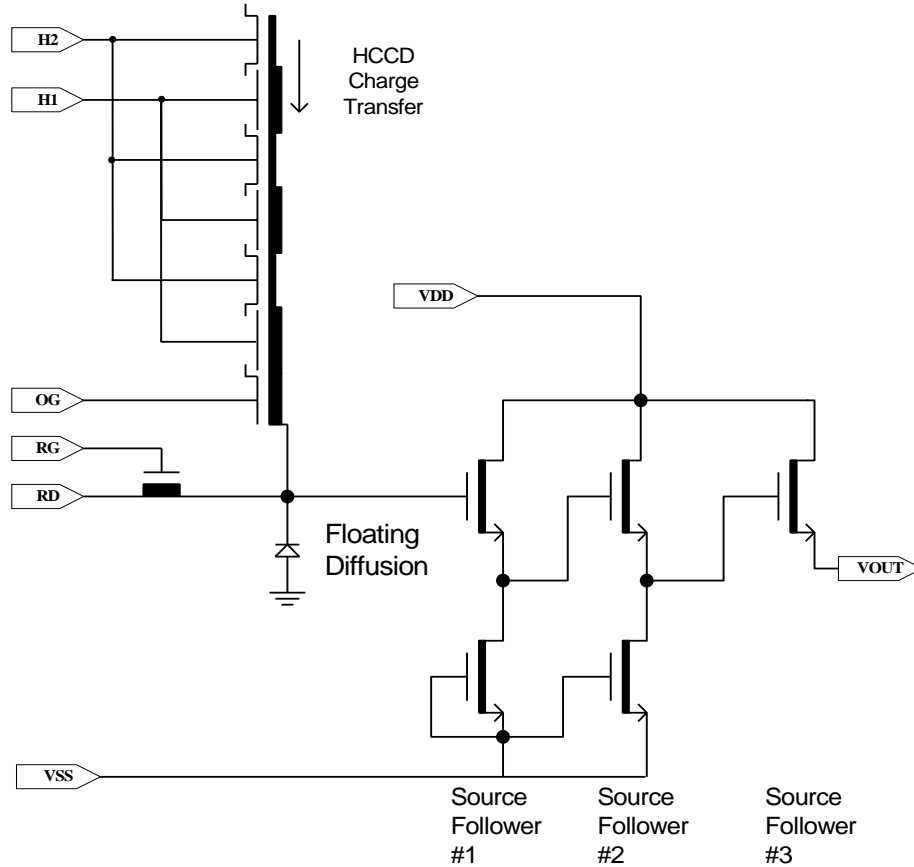


Figure 2: Output Architecture

The output consists of a floating diffusion capacitance connected to a three-stage source follower. Charge presented to the floating diffusion (FD) is converted into a voltage and is current amplified in order to drive off-chip loads. The resulting voltage change seen at the output is linearly related to the amount of charge placed on the FD. Once the signal has been sampled by the system electronics, the reset gate (RG) is clocked to remove the signal and FD is reset to the potential applied by reset drain (RD). Increased signal at the floating diffusion reduces the voltage seen at the output pin. To activate the output structure, an off-chip current source must be added to the VOUT pin of the device. See Figure 3.



### Output Load

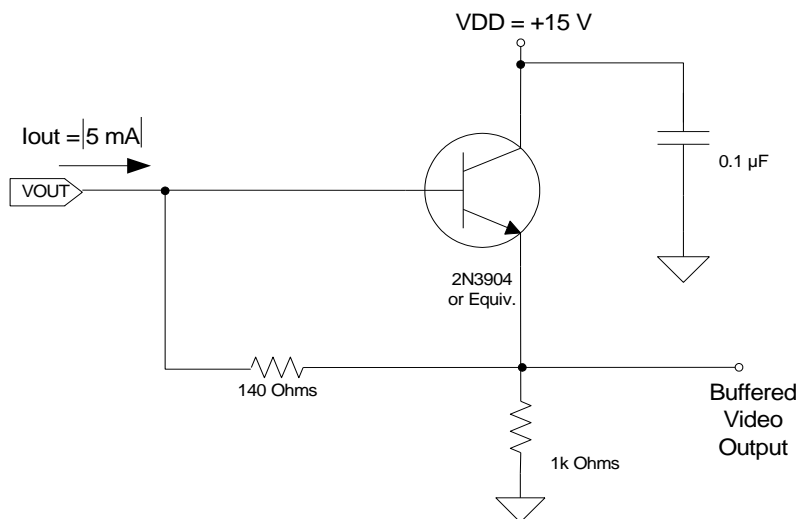


Figure 3: Recommended Output Structure Load Diagram.

Note:

Component values may be revised based on operating conditions and other design considerations.



**PHYSICAL DESCRIPTION**

**Pin Description and Device Orientation**

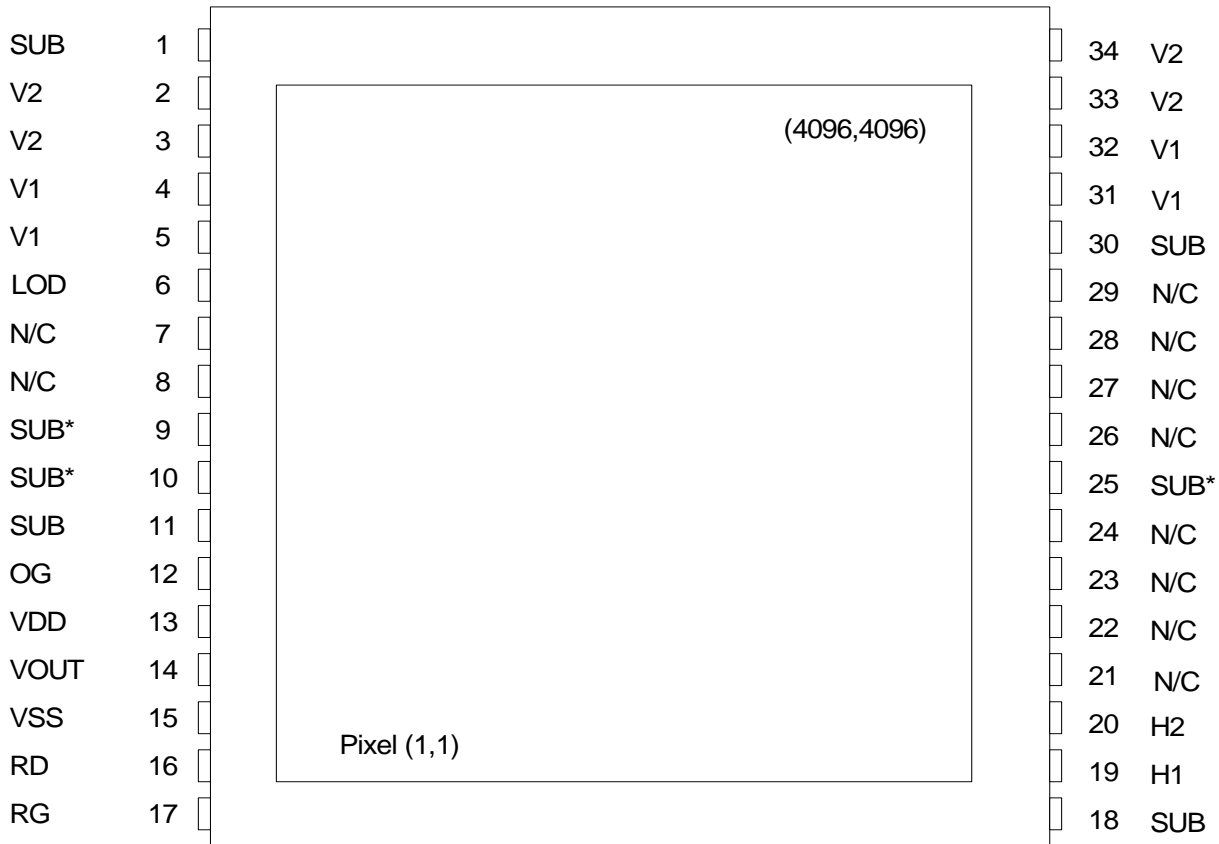


Figure 4: Device Orientation and Pinout

Notes:

1. Pins with the same name are to be tied together on the circuit board and have the same timing.
2. Unlike the KAF-16801, pins 9, 10, and 25 are internally connected to SUB. They may be connected to SUB on the printed circuit board or otherwise must be left floating.



Pin	Name	Description
1	SUB	Substrate
2	V2	Vertical CCD Clock-Phase 2
3	V2	Vertical CCD Clock-Phase 2
4	V1	Vertical CCD Clock-Phase 1
5	V1	Vertical CCD Clock-Phase 1
6	LOD	Anti Blooming Drain
7	N/C	No Connection
8	N/C	No Connection
9	SUB*	Substrate or No Connection
10	SUB*	Substrate or No Connection
11	SUB	Substrate
12	OG	Output Gate
13	VDD	Output Amplifier Supply
14	VOUT	Video Output:
15	VSS	Output Amplifier Return
16	RD	Reset Drain
17	RG	Reset Gate
18	SUB	Substrate
19	H1	Horizontal Phase 1
20	H2	Horizontal Phase 2
21	N/C	No Connection
22	N/C	No Connection
23	N/C	No Connection
24	N/C	No Connection
25	SUB*	Substrate or No Connection
26	N/C	No Connection
27	N/C	No Connection
28	N/C	No Connection
29	N/C	No Connection
30	SUB	Substrate
31	V1	Vertical CCD Clock-Phase 1
32	V1	Vertical CCD Clock-Phase 1
33	V2	Vertical CCD Clock-Phase 2
34	V2	Vertical CCD Clock-Phase 2

## Notes:

1. Unlike the KAF-16801, pins 9, 10, and, 25 are internally connected to SUB. They may be connected to SUB on the printed circuit board or must be left floating



## Imaging Performance

### TYPICAL OPERATIONAL CONDITIONS

Description	Condition - Unless otherwise noted	Notes
Integration time (tint)	variable	
Horizontal clock frequency	4 MHz	
Temperature	25 °C	Room temperature
Mode	integrate – readout cycle	
Operation	Nominal operating voltages and timing with min. vertical pulse width tVw = 20 μs	

### SPECIFICATIONS

Description	Symbol	Min.	Nom.	Max	Units	Notes	Verification Plan
Saturation Signal	$V_{sat}$ $Ne^-_{sat}$	1900 85k	2200 100k		mV e <sup>-</sup>	1	die <sup>11</sup>
Quantum Efficiency (550 nm)	$QE_{(max)}$		60		%	1	design <sup>12</sup>
Responsivity (550)	$R_{(max)}$		28.7		V/μJ/cm <sup>2</sup>		design <sup>12</sup>
Photoresponse Non-Linearity	PRNL		1		%	2	design <sup>12</sup>
Photoresponse Non-Uniformity	PRNU		1		%	3	design <sup>12</sup>
Integration Dark Signal	$V_{dark, int}$		3 0.6	15 3	e/pix/sec pA/cm <sup>2</sup>	4	die <sup>11</sup>
Readout Dark Current	$V_{dark, read}$		45	225	electrons	10	die <sup>11</sup>
Dark Signal Non-Uniformity	DSNU		3	15	e/pix/sec	5	die <sup>11</sup>
Dark Signal Doubling Temperature	ΔT		6.3		°C		design <sup>12</sup>
Read Noise	$N_R$		9	15	e <sup>-</sup> rms	6	design <sup>12</sup>
Linear Dynamic Range	DR		80		dB	7	design <sup>12</sup>
Blooming Protection	$X_{ab}$	100			$V_{sat}$	8	design <sup>12</sup>
Output Amplifier Sensitivity	$V_{out}/Ne^-$	20	22		μV/e <sup>-</sup>		design <sup>12</sup>
DC Offset, output amplifier	$V_{dc}$		$V_{rd} - 3.0$	$V_{rd} - 2.0$	V	9	die <sup>11</sup>
Output Amplifier Bandwidth	$f_{-3dB}$		100		MHz		design <sup>12</sup>
Output Impedance, Amplifier	ROUT		160	200	Ohms		die <sup>11</sup>

#### Notes:

- Increasing output load currents to improve bandwidth will decrease these values.
- Worst case deviation from straight line fit, between 1% and 90% of  $V_{sat_{min}}$ .
- One sigma deviation of a 128 x 128 sample when CCD illuminated uniformly.
- Average of all pixels with no illumination at 25 °C.
- Average dark signal of any of 32 x 32 blocks within the sensor. (Each block is 128 x 128 pixels.)
- Output amplifier noise at 25 °C, operating at pixel frequency up to 4 MHz, bandwidth <10 MHz, tint = 0, and no dark current shot noise.
- $20\log(V_{sat}/V_N)$  - see Note 6 and Note 1.  
 $V_N = N_R * Q/V$ .
- $X_{ab}$  is the number of times above the  $V_{sat}$  illumination level that the sensor will bloom by spot size doubling. The spot size is 10% of the imager height.  $X_{ab}$  is measured at 4 ms.
- Video level offset with respect to ground.
- Readout dark current per pixel measured at 25 °C and vertical CCD clock width = 20 microseconds.
- A parameter that is measured on every sensor during production testing.
- A parameter that is quantified during the design verification activity.



## Typical Performance Curves

**KAF-16803 Spectral Response  
(No Cover Glass)**

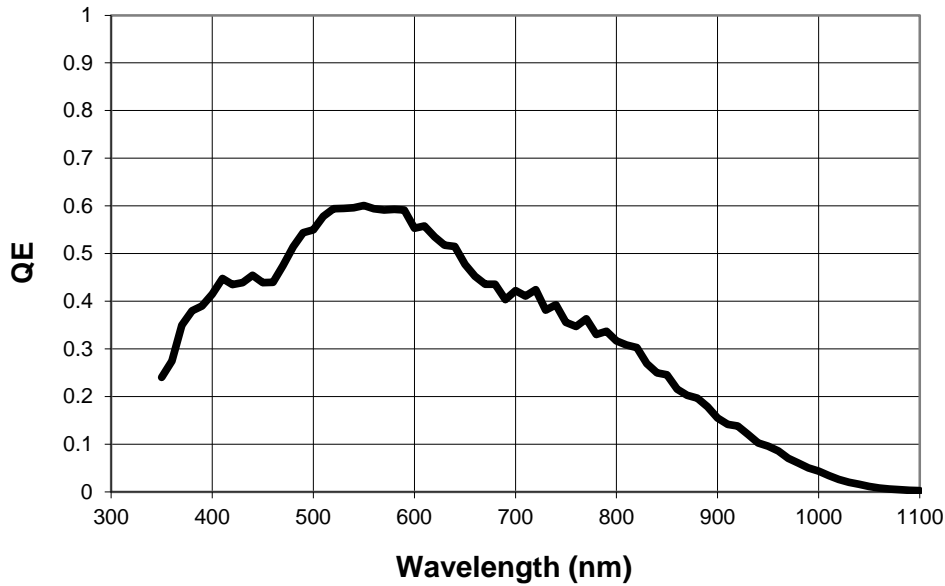


Figure 5: Typical Spectral Response

**KAF-16803 Angle Response**

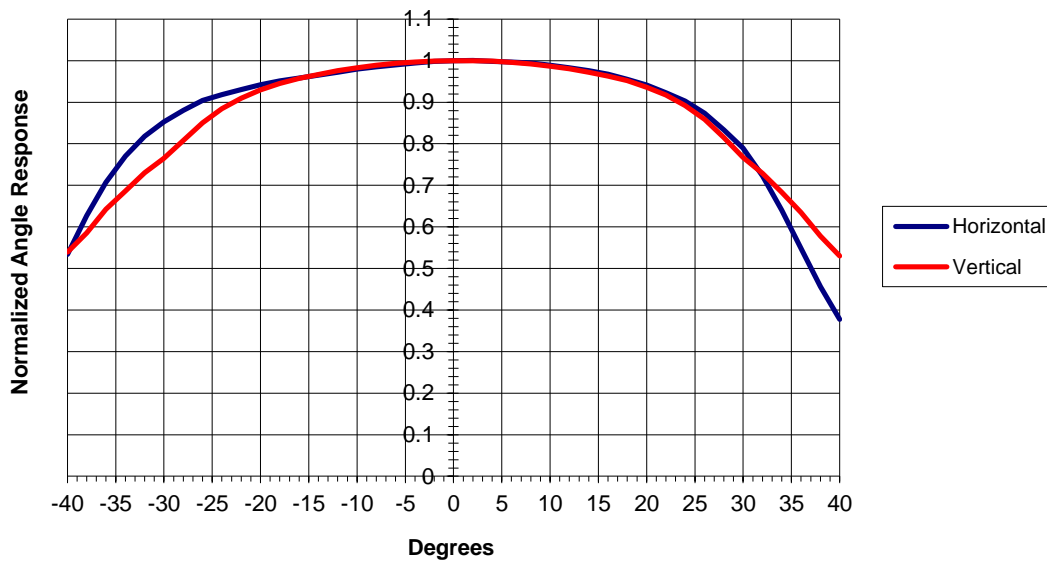


Figure 6: Typical Angle Response



KAF-16803 Dark Current

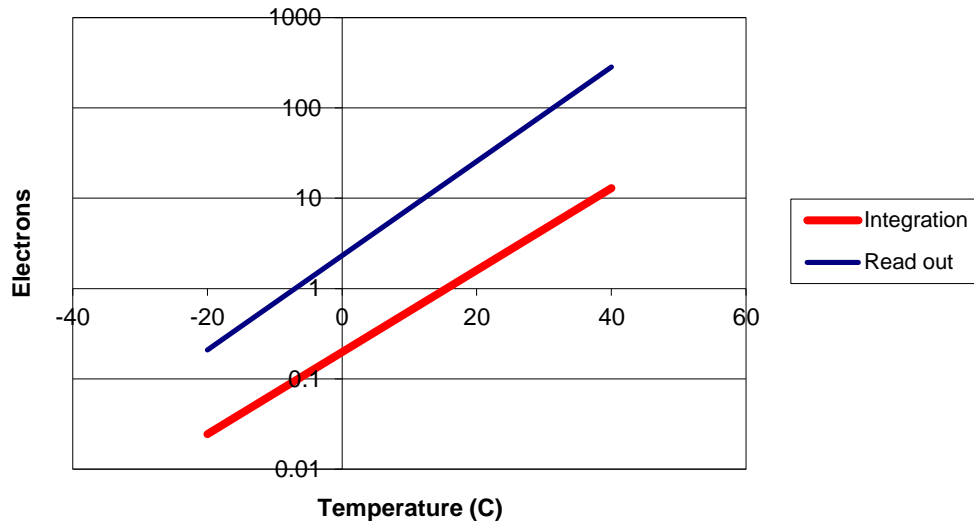


Figure 7: Dark Current

Noise Floor

KAF-16803 Noise Floor

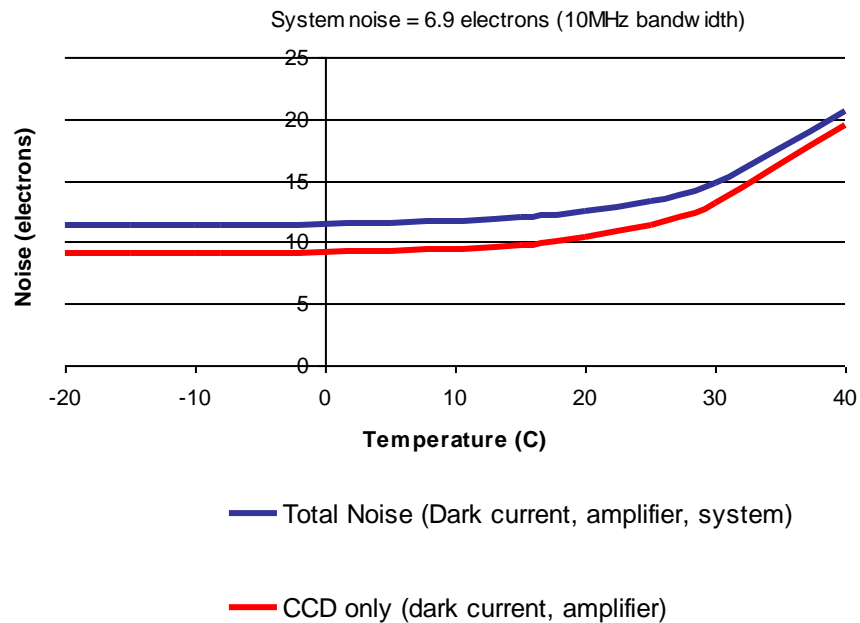


Figure 8: Noise Floor



## Defect Definitions

### OPERATIONING CONDITIONS

All defect tests performed at T ~25 °C

### SPECIFICATIONS

Classification	Points	Clusters	Columns
Standard Grade	<200	<20	<10

**Point Defects** Dark: A pixel which deviates by more than 6% from neighboring pixels when illuminated to 70% of saturation

-- OR --

Bright: A Pixel with dark current >3,000 e/pixel/sec at 25 °C

**Cluster Defect** A grouping of not more than 10 adjacent point defects  
Cluster defects are separated by no less than 4 good pixels in any direction

**Column Defect** A grouping of more than 10 point defects along a single column

-- OR --

A column containing a pixel with dark current > 15,000 e/pixel/sec (bright column)

-- OR --

A column that does not meet the CTE specification for all exposures less than the specified maximum saturation signal level and greater than 2 ke<sup>-</sup>

-- OR --

A column that contains a pixel which loses more than 250 e under 2 ke<sup>-</sup> illumination (trap defect)

Column defects are separated by no less than 4 good columns. No multiple column defects (double or more) will be permitted.

Column and cluster defects are separated by at least 4 good columns in the x direction.





## Operation

### ABSOLUTE MAXIMUM RATINGS

Description	Symbol	Minimum	Maximum	Units	Notes
Diode Pin Voltages	$V_{diode}$	-0.5	+20	V	1,2
Gate Pin Voltages	$V_{gate1}$	-16	+16	V	1,3
Adjacent Gate Voltages	$V_{1-2}$	-16	+16	V	4
Output Bias Current	$I_{out}$		-30	mA	5
LOD Diode Voltage	$V_{LOD}$	-0.5	+13.0	V	1
Operating Temperature	$T_{OP}$	-60	60	°C	7

#### Notes:

1. Referenced to pin SUB
2. Includes pins: RD, VDD, VSS, VOUT.
3. Includes pins: V1, V2, H1, H2, RG, VOG.
4. Voltage difference between adjacent gates. Includes: V1 to V2; H1 to H2; H1 to VOG; and V2 to H1.
5. Avoid shorting output pins to ground or any low impedance source during operation. Amplifier bandwidth increases at higher currents and lower load capacitance at the expense of reduced gain (sensitivity).
6. Absolute maximum rating is defined as a level or condition that should not be exceeded at any time per the description. If the level or condition is exceeded, the device will be degraded and may be damaged.
7. Noise performance will degrade at higher temperatures.

### POWER-UP SEQUENCE

The sequence chosen to perform an initial power-up is not critical for device reliability. A coordinated sequence may minimize noise and the following sequence is recommended:

1. Connect the ground pins (SUB).
2. Supply the appropriate biases and clocks to the remaining pins.



## DC BIAS OPERATING CONDITIONS

Description	Symbol	Minimum	Nominal	Maximum	Units	Maximum DC Current (mA)	Notes
Reset Drain	$V_{RD}$	12.75	13	13.625	V	$I_{RD} = 0.01$	
Output Amplifier Return	$V_{SS}$	1.75	2.0	2.25	V	$I_{SS} = 3.0$	
Output Amplifier Supply	$V_{DD}$	14.75	15.0	17.0	V	$I_{OUT} + I_{SS}$	
Substrate	$V_{SUB}$	0	0	0	V	0.01	
Output Gate	$V_{OG}$	1.0	2.0	2.5	V	0.01	
Lateral Overflow Drain	$V_{LOD}$	7.75	8.0	8.25	V	0.01	
Video Output Current	$I_{OUT}$	-3	-5	-7	mA		1

Note:

1. An output load sink must be applied to VOUT to activate output amplifier – see Figure 3.

## AC OPERATING CONDITIONS

### Clock Levels

Description	Symbol	Level	Minimum	Nominal	Maximum	Units	Notes
V1 Low Level	V1L	Low	-9.2	-9.0	-8.8	V	1
V1 High Level	V1H	High	2.3	2.5	2.7	V	1
V2 Low Level	V2L	Low	-9.2	-9.0	-8.8	V	1
V2 High Level	V2H	High	2.3	2.5	2.7	V	1
H1 Low Level	H1L	Low	-3.2	-3.0	-2.8	V	1
H1 High Level	H1H	High	6.8	7.0	7.2	V	1
H2 Low Level	H2L	Low	-3.2	-3.0	-2.8	V	1
H2 High Level	H2H	High	6.8	7.0	7.2	V	1
RG Low Level	RGL	Low	5.8	6.0	6.2	V	1
RG High Level	RGH	High	10.8	11.0	11.2	V	1

Note:

1. All pins draw less than 10  $\mu$ A DC current. Capacitance values relative to SUB (substrate).



### CAPACITANCE EQUIVALENT CIRCUIT

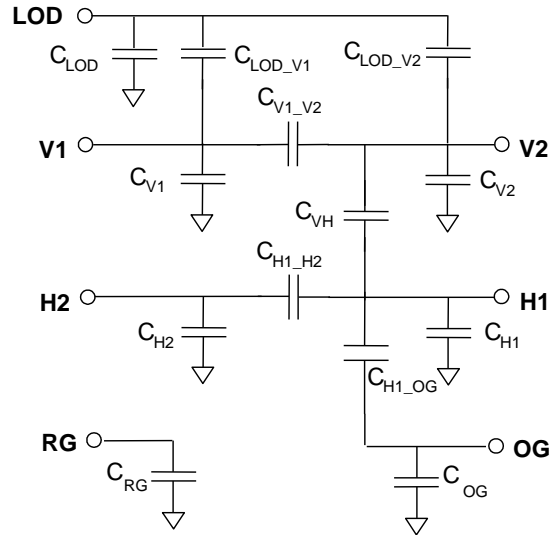


Figure 9: Equivalent Circuit Model

Description	Label	Value	Unit
LOD-Sub Capacitance	$C_{LOD}$	6.5	nF
LOD-V1 Capacitance	$C_{LOD\_V1}$	36	nF
LOD-V2 Capacitance	$C_{LOD\_V2}$	36	nF
V1-V2 Capacitance	$C_{V1\_V2}$	80	nF
V1-Sub Capacitance	$C_{V1\_SUB}$	250	nF
V2-Sub Capacitance	$C_{V2\_SUB}$	250	nF
V2-H1 Capacitance	$C_{VH}$	36	pF
H1-H2 Capacitance	$C_{H1\_H2}$	75	pF
H1-Sub Capacitance	$C_{H1\_Sub}$	500	pF
H2-Sub Capacitance	$C_{H2\_Sub}$	300	pF
OG-Sub Capacitance	$C_{OG\_Sub}$	5	pF
RG-Sub Capacitance	$C_{RG\_Sub}$	13	pF



## Timing

### REQUIREMENTS AND CHARACTERISTICS

Description	Symbol	Minimum	Nominal	Maximum	Units	Notes
H1, H2 Clock Frequency	$f_H$		4	10	MHz	1
H1, H2 Rise, Fall Times	$t_{H1r}, t_{H1f}$	5			%	3
V1, V2 Rise, Fall Times	$t_{V1r}, t_{V1f}$	5			%	3
V1 - V2 Cross-over	$V_{VCR}$	-1	0	1	V	
H1 - H2 Cross-over	$V_{HCR}$	1	2	5	V	
H1, H2 Setup Time	$t_{HS}$	5	10		$\mu$ s	
RG Clock Pulse Width	$t_{RGW}$	5	10		ns	4
V1, V2 Clock Pulse Width	$t_{VW}$	20	20		$\mu$ s	
Pixel Period (1 Count)	$t_e$	100	250		ns	2
Integration Time	$t_{int}$		-			5
Line Time	$t_{line}$	0.460	1.08		ms	6
Readout Time	$t_{readout}$	1,897	4,450		ms	7

#### Notes:

1. 50% duty cycle values.
2. CTE will degrade above the maximum frequency.
3. Relative to the pulse width (based on 50% of high/low levels).
4. RG should be clocked continuously.
5. Integration time is user specified.
6.  $(4145 * t_e) + t_{HS} + (2 * t_{VW}) = 1.08$  msec
7.  $t_{readout} = t_{line} * 4128$  lines.



### EDGE ALIGNMENT

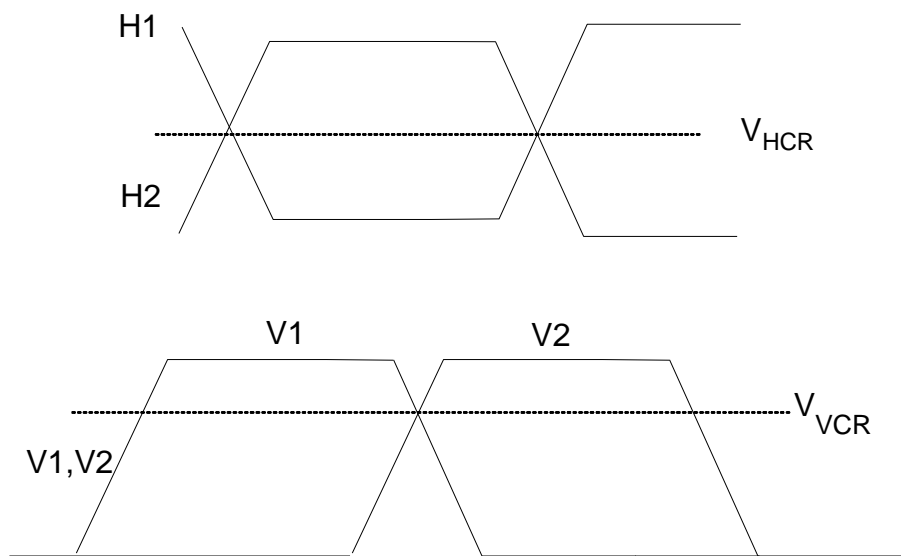


Figure 10: Edge Alignment



### FRAME TIMING

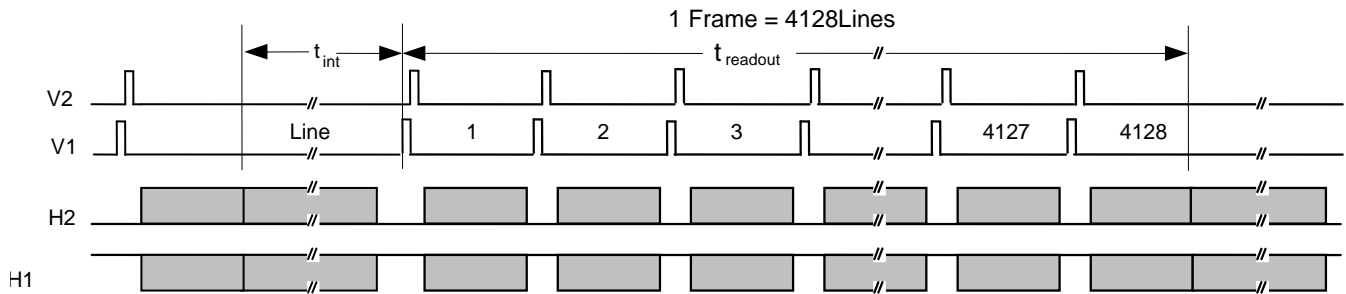


Figure 11: Frame Timing

### Frame Timing Detail

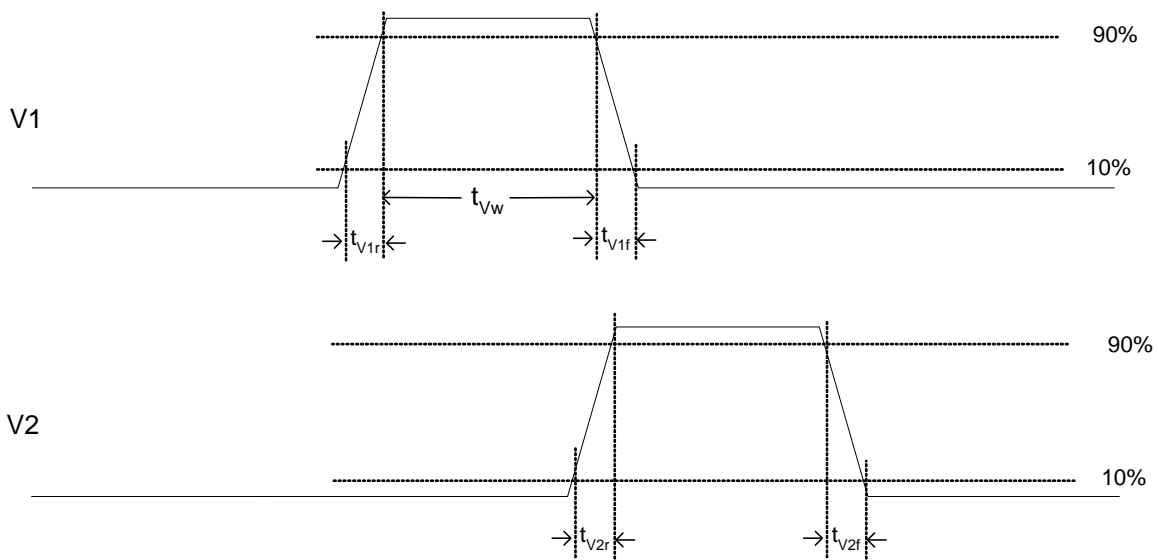


Figure 12: Frame Timing Detail



### LINE TIMING (EACH OUTPUT)

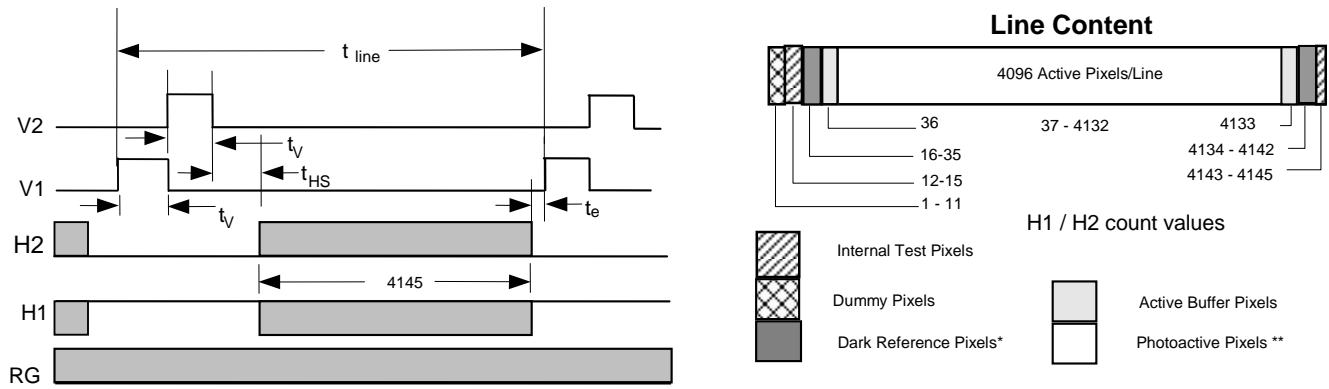


Figure 13: Line Timing

### PIXEL TIMING

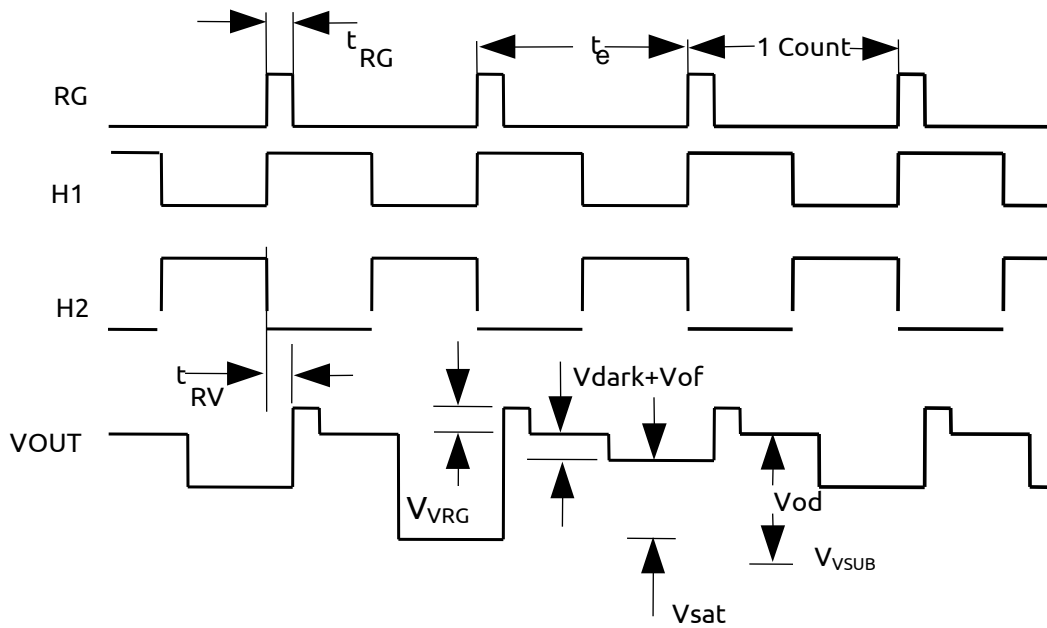


Figure 14: Pixel Timing



Pixel Timing Detail

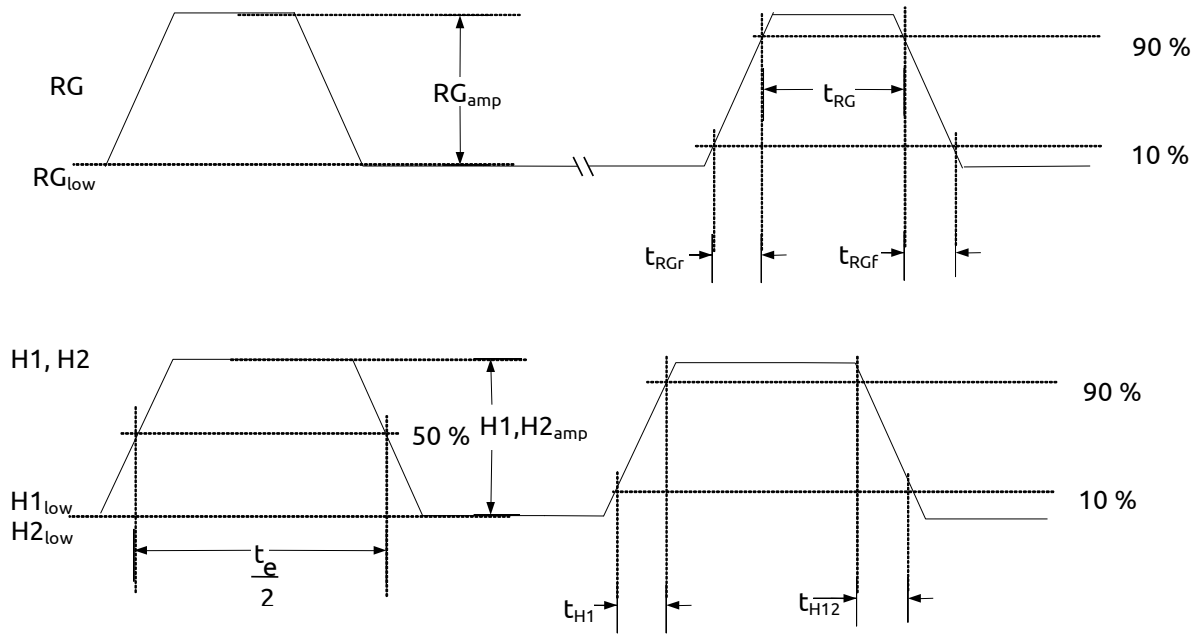


Figure 15: Pixel Timing Detail





### EXAMPLE WAVEFORMS

#### Video Waveform Horizontal CCD Clocks

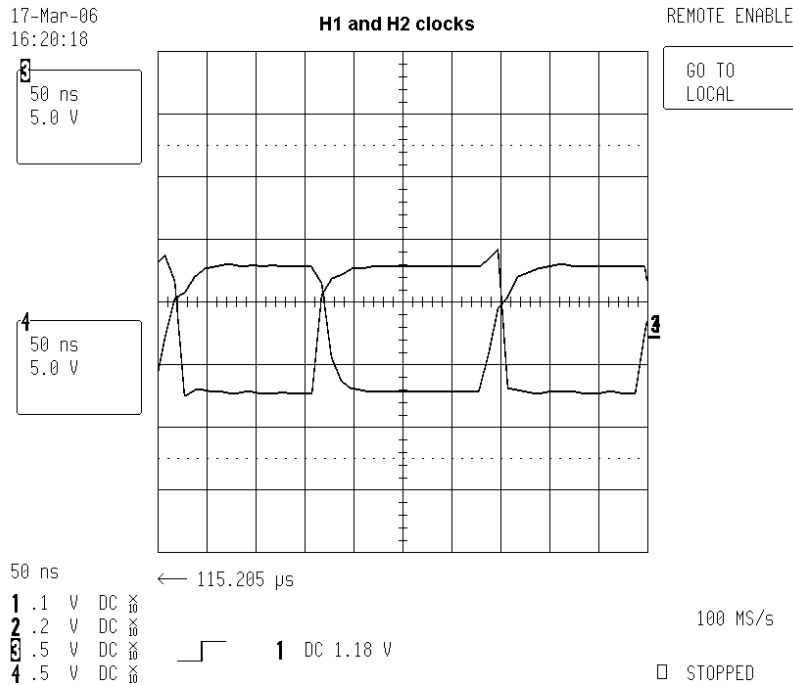


Figure 16: Horizontal Clock Waveform

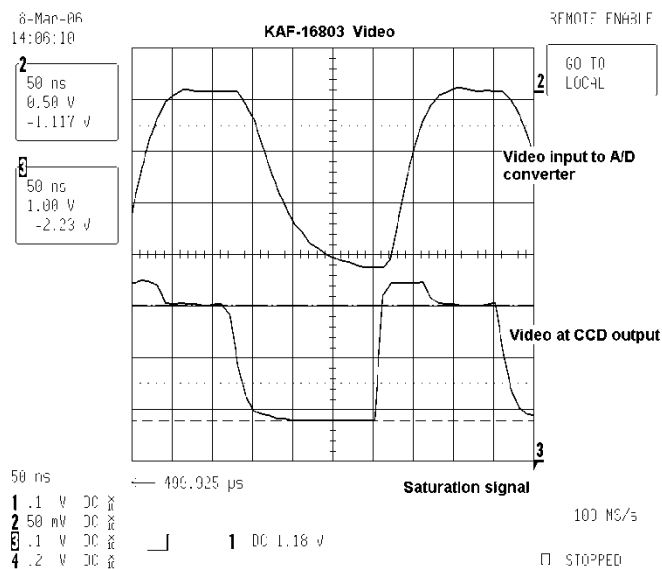


Figure 17: Video Waveform

Note:

Video Waveform – The bottom curve was taken at the CCD output. The top curve is bandwidth limited and was measured at the analog to digital converter.



### Video Waveform and Clamp Clock

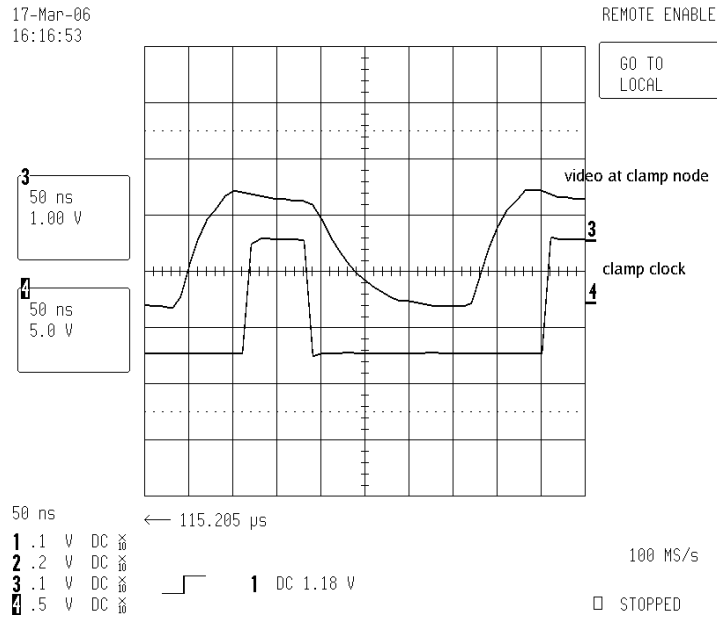


Figure 18: Video and Clamp

### Video Waveform and Sample Clock

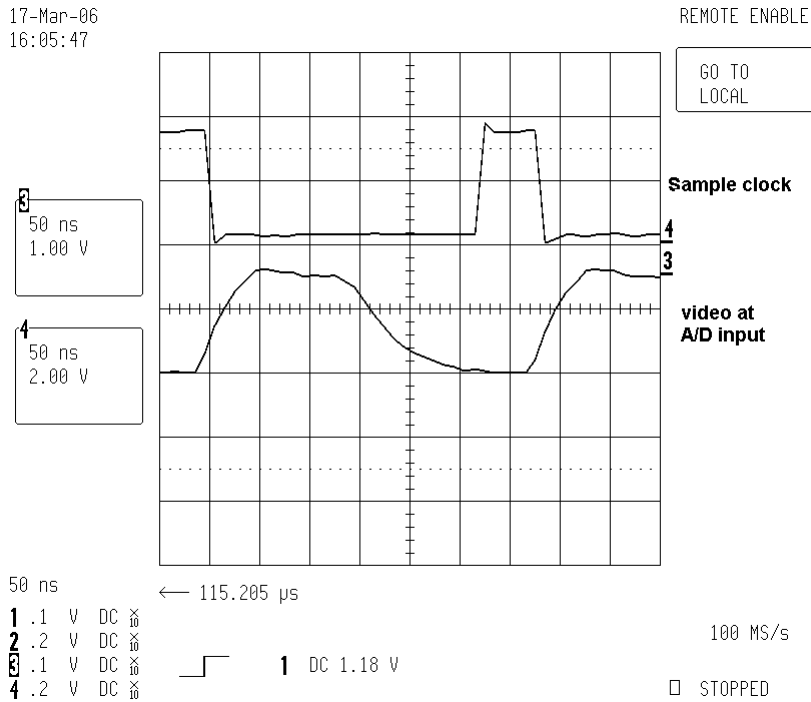


Figure 19: Video and Sample Clock



## Storage and Handling

### STORAGE CONDITIONS

Description	Symbol	Minimum	Maximum	Units	Notes
Storage Temperature	T <sub>ST</sub>	-20	70	°C	1

#### Notes:

1. Long-term storage toward the maximum temperature will accelerate color filter degradation. (This condition applies to color parts only.)
2. T = 25 °C. Excessive humidity will degrade MTF.

### ESD

1. This device contains limited protection against Electrostatic Discharge (ESD). ESD events may cause irreparable damage to a CCD image sensor either immediately or well after the ESD event occurred. Failure to protect the sensor from electrostatic discharge may affect device performance and reliability.
2. Devices should be handled in accordance with strict ESD procedures for Class 0 (<250 V per JESD22 Human Body Model test), or Class A (<200 V JESD22 Machine Model test) devices. Devices are shipped in static-safe containers and should only be handled at static-safe workstations.
3. See Application Note *Image Sensor Handling Best Practices* for proper handling and grounding procedures. This application note also contains workplace recommendations to minimize electrostatic discharge.
4. Store devices in containers made of electro-conductive materials.

### COVER GLASS CARE AND CLEANLINESS

1. The cover glass is highly susceptible to particles and other contamination. Perform all assembly operations in a clean environment.
2. Touching the cover glass must be avoided.

3. Improper cleaning of the cover glass may damage these devices. Refer to Application Note *Image Sensor Handling Best Practices*.

### ENVIRONMENTAL EXPOSURE

1. Extremely bright light can potentially harm CCD image sensors. Do not expose to strong sunlight for long periods of time, as the color filters and/or microlenses may become discolored. In addition, long time exposures to a static high contrast scene should be avoided. Localized changes in response may occur from color filter/microlens aging. For Interline devices, refer to Application Note *Using Interline CCD Image Sensors in High Intensity Visible lighting Conditions*.
2. Exposure to temperatures exceeding maximum specified levels should be avoided for storage and operation, as device performance and reliability may be affected.
3. Avoid sudden temperature changes.
4. Exposure to excessive humidity may affect device characteristics and may alter device performance and reliability, and therefore should be avoided.
5. Avoid storage of the product in the presence of dust or corrosive agents or gases, as deterioration of lead solderability may occur. It is advised that the solderability of the device leads be assessed after an extended period of storage, over one year.

### SOLDERING RECOMMENDATIONS

1. The soldering iron tip temperature is not to exceed 370 °C. Higher temperatures may alter device performance and reliability.
2. Flow soldering method is not recommended. Solder dipping can cause damage to the glass and harm the imaging capability of the device. Recommended method is by partial heating using a grounded 30 W soldering iron. Heat each pin for less than 2 seconds duration.



Mechanical Information

COMPLETED ASSEMBLY

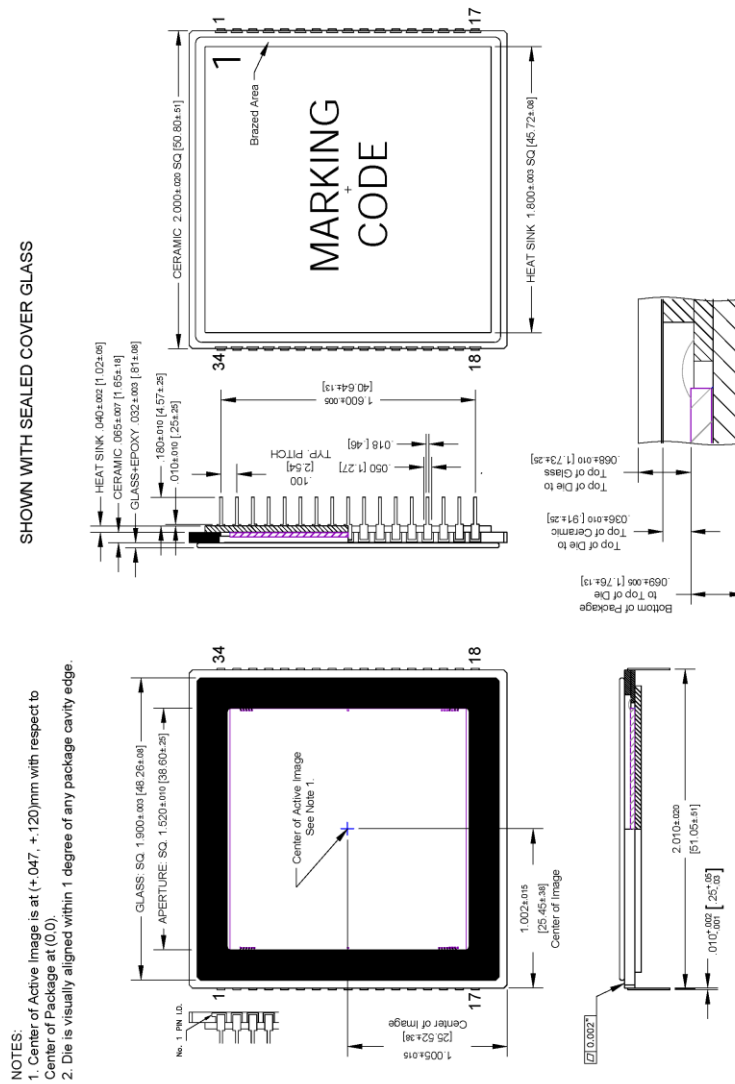


Figure 20: Completed Assembly Drawing (1 of 1)



## COVER GLASS SPECIFICATION

1. Scratch and dig: 10 micron max
2. Substrate material Schott D263T eco or equivalent
3. Multilayer anti-reflective coating

Wavelength	Total Reflectance
420-450	$\leq 2\%$
450-630	$\leq 1\%$
630-680	$\leq 2\%$



## Quality Assurance and Reliability

### QUALITY AND RELIABILITY

All image sensors conform to the specifications stated in this document. This is accomplished through a combination of statistical process control and visual inspection and electrical testing at key points of the manufacturing process, using industry standard methods. Information concerning the quality assurance and reliability testing procedures and results are available from ON Semiconductor upon request. For further information refer to Application Note *Quality and Reliability*.

### REPLACEMENT

All devices are warranted against failure in accordance with the *Terms of Sale*. Devices that fail due to mechanical and electrical damage caused by the customer will not be replaced.

### LIABILITY OF THE SUPPLIER

A reject is defined as an image sensor that does not meet all of the specifications in this document upon receipt by the customer. Product liability is limited to the cost of the defective item, as defined in the *Terms of Sale*.

### LIABILITY OF THE CUSTOMER

Damage from mishandling (scratches or breakage), electrostatic discharge (ESD), or other electrical misuse of the device beyond the stated operating or storage limits, which occurred after receipt of the sensor by the customer, shall be the responsibility of the customer.

### TEST DATA RETENTION

Image sensors shall have an identifying number traceable to a test data file. Test data shall be kept for a period of 2 years after date of delivery.

### MECHANICAL

The device assembly drawing is provided as a reference.

ON Semiconductor reserves the right to change any information contained herein without notice. All information furnished by ON Semiconductor is believed to be accurate.

## Life Support Applications Policy

ON Semiconductor image sensors are not authorized for and should not be used within Life Support Systems without the specific written consent of ON Semiconductor.




## Revision Changes

### MTD/PS-0994

Revision Number	Description of Changes
1.0	<ul style="list-style-type: none"> <li>Initial Release.</li> </ul>
2.0	<ul style="list-style-type: none"> <li>P. 18 Changed Reset Drain Maximum to 13.625V</li> </ul>
2.1	<ul style="list-style-type: none"> <li>P. 15 Updated Noise Floor Chart</li> </ul>
3.0	<ul style="list-style-type: none"> <li>P. 5 Removed obsolete part numbers 4H0862 and 4H0864 and added new parts numbers 4H2053 and 4H2054</li> </ul>
3.1	<ul style="list-style-type: none"> <li>P. 29 Changed cover glass material to D263T eco or equivalent</li> </ul>

### PS-0040

Revision Number	Description of Changes
1.0	<ul style="list-style-type: none"> <li>Initial release with new document number, updated branding and document template</li> <li>Updated <i>Storage and Handling</i> and <i>Quality Assurance and Reliability</i> sections</li> </ul>
1.1	<ul style="list-style-type: none"> <li>Updated branding</li> </ul>

ON Semiconductor and  are registered trademarks of Semiconductor Components Industries, LLC (SCILLC). SCILLC owns the rights to a number of patents, trademarks, copyrights, trade secrets, and other intellectual property. A listing of SCILLC's product/patent coverage may be accessed at [www.onsemi.com/site/pdf/Patent-Marking.pdf](http://www.onsemi.com/site/pdf/Patent-Marking.pdf). SCILLC reserves the right to make changes without further notice to any products herein. SCILLC makes no warranty, representation or guarantee regarding the suitability of its products for any particular purpose, nor does SCILLC assume any liability arising out of the application or use of any product or circuit, and specifically disclaims any and all liability, including without limitation special, consequential or incidental damages. "Typical" parameters which may be provided in SCILLC data sheets and/or specifications can and do vary in different applications and actual performance may vary over time. All operating parameters, including "Typicals" must be validated for each customer application by customer's technical experts. SCILLC does not convey any license under its patent rights nor the rights of others. SCILLC products are not designed, intended, or authorized for use as components in systems intended for surgical implant into the body, or other applications intended to support or sustain life, or for any other application in which the failure of the SCILLC product could create a situation where personal injury or death may occur. Should Buyer purchase or use SCILLC products for any such unintended or unauthorized application, Buyer shall indemnify and hold SCILLC and its officers, employees, subsidiaries, affiliates, and distributors harmless against all claims, costs, damages, and expenses, and reasonable attorney fees arising out of, directly or indirectly, any claim of personal injury or death associated with such unintended or unauthorized use, even if such claim alleges that SCILLC was negligent regarding the design or manufacture of the part. SCILLC is an Equal Opportunity/Affirmative Action Employer. This literature is subject to all applicable copyright laws and is not for resale in any manner.

#### PUBLICATION ORDERING INFORMATION

##### LITERATURE FULFILLMENT:

Literature Distribution Center for ON Semiconductor  
P.O. Box 5163, Denver, Colorado 80217 USA  
**Phone:** 303-675-2175 or 800-344-3860 Toll Free USA/Canada  
**Fax:** 303-675-2176 or 800-344-3867 Toll Free USA/Canada  
**Email:** [orderlit@onsemi.com](mailto:orderlit@onsemi.com)

**N. American Technical Support:** 800-282-9855 Toll Free  
USA/Canada

**Europe, Middle East and Africa Technical Support:**  
Phone: 421 33 790 2910

**Japan Customer Focus Center**  
Phone: 81-3-5817-1050

**ON Semiconductor Website:** [www.onsemi.com](http://www.onsemi.com)

**Order Literature:** <http://www.onsemi.com/orderlit>

For additional information, please contact your local Sales Representative

Компания «Океан Электроники» предлагает заключение долгосрочных отношений при поставках импортных электронных компонентов на взаимовыгодных условиях!

Наши преимущества:

- Поставка оригинальных импортных электронных компонентов напрямую с производств Америки, Европы и Азии, а так же с крупнейших складов мира;
- Широкая линейка поставок активных и пассивных импортных электронных компонентов (более 30 млн. наименований);
- Поставка сложных, дефицитных, либо снятых с производства позиций;
- Оперативные сроки поставки под заказ (от 5 рабочих дней);
- Экспресс доставка в любую точку России;
- Помощь Конструкторского Отдела и консультации квалифицированных инженеров;
- Техническая поддержка проекта, помощь в подборе аналогов, поставка прототипов;
- Поставка электронных компонентов под контролем ВП;
- Система менеджмента качества сертифицирована по Международному стандарту ISO 9001;
- При необходимости вся продукция военного и аэрокосмического назначения проходит испытания и сертификацию в лаборатории (по согласованию с заказчиком);
- Поставка специализированных компонентов военного и аэрокосмического уровня качества (Xilinx, Altera, Analog Devices, Intersil, Interpoint, Microsemi, Actel, Aeroflex, Peregrine, VPT, Syfer, Eurofarad, Texas Instruments, MS Kennedy, Miteq, Cobham, E2V, MA-COM, Hittite, Mini-Circuits, General Dynamics и др.);

Компания «Океан Электроники» является официальным дистрибьютором и эксклюзивным представителем в России одного из крупнейших производителей разъемов военного и аэрокосмического назначения «JONHON», а так же официальным дистрибьютором и эксклюзивным представителем в России производителя высокотехнологичных и надежных решений для передачи СВЧ сигналов «FORSTAR».



## JONHON

«JONHON» (основан в 1970 г.)

Разъемы специального, военного и аэрокосмического назначения:

(Применяются в военной, авиационной, аэрокосмической, морской, железнодорожной, горно- и нефтедобывающей отраслях промышленности)

«FORSTAR» (основан в 1998 г.)

ВЧ соединители, коаксиальные кабели, кабельные сборки и микроволновые компоненты:

(Применяются в телекоммуникациях гражданского и специального назначения, в средствах связи, РЛС, а так же военной, авиационной и аэрокосмической отраслях промышленности).



Телефон: 8 (812) 309-75-97 (многоканальный)

Факс: 8 (812) 320-03-32

Электронная почта: [ocean@oceanchips.ru](mailto:ocean@oceanchips.ru)

Web: <http://oceanchips.ru/>

Адрес: 198099, г. Санкт-Петербург, ул. Калинина, д. 2, корп. 4, лит. А