

NOTES: UNLESS OTHERWISE SPECIFIED

1. CORNERS DRAWN SHARP TO BE R.005 MAXIMUM.
2. EXTERIOR SURFACE TEXTURE TO BE LIGHT EDM FINISH. EQUIVALENT TO MT-11010.
3. INTERIOR SURFACE TEXTURE TO BE: NONE.
4. ALL INSIDE RADII .010R. UNLESS OTHERWISE SPECIFIED.
5. ALL EXTERNAL DIMENSIONS AFFECTED BY THE DRAFT APPLY AT THE LARGE END OF THE FEATURE, AND ALL INTERNAL FEATURES AFFECTED BY THE DRAFT APPLY AT THE SMALL END OF THE FEATURE UNLESS OTHERWISE SPECIFIED.
6. 1 DEGREE DRAFT IN THE DIRECTION OF PULL IS PERMISSIBLE UNLESS OTHERWISE SPECIFIED.
7. THIS ENCLOSURE IS A PRESS FIT ASSEMBLY. FOR PERMANENT CLOSURE: A DROP OF ADHESIVE OR ULTRASONIC WELDING IS REQUIRED.
8. MATERIAL / COLOR: ABS PLASTIC IS STANDARD IN BLACK OR WHITE. CUSTOM MATERIALS AND COLORS ARE AVAILABLE UPON REQUEST FOR QUOTE.
9. PCB SIZES ARE RECOMMENDATIONS ONLY. FINAL SIZES AND VERIFICATION OF IT'S FIT ARE THE SOLE RESPONSIBILITY OF OEM.
10. THE GATE REMNANT FOR THIS ENCLOSURE IS LOCATED IN THIS POSITION TO MINIMIZE THE COSMETIC IMPACT. IT IS HOWEVER VISIBLE AND VARIES IN SIZE / SHAPE. IT IS EASILY REMOVED WITH CLIPPERS. IF YOU WOULD LIKE NEW AGE TO CLIP THIS FOR YOU, PLEASE ASK YOUR SALES REPRESENTATIVE FOR A FREE QUOTE.
11. THIS DRAWING IS BASED ON A SOLID MODEL, AND IS FURTHER DEFINED BY THE SOLID MODEL FILE.
12. ALLOWABLE FLASH: 0.010 MAX.
13. ALL EJECTOR PIN MARKS TO BE WITHIN 0.010" OF FLUSH, PROTRUDING OR BELOW FLUSH.
14. TRIM GATE WITHIN 0.015" OF FLUSH.

**CONFIGURATION LEGEND**

- Tx = BOTH COVER AND BASE ARE TALL
- Fx = BOTH COVER AND BASE ARE SHORT (FLAT)
- Cx = ONLY THE COVER IS TALL (BASE IS FLAT)
- Bx = ONLY THE BASE IS TALL (COVER IS FLAT)
- xS = STANDARD ENCLOSURE (NO USB OPENING)
- xU = ENCLOSURE WITH MOLDED TYPE A USB OPENING

**090604(xx) CONFIGURATIONS**

	-TS	-TU	-FS	-FU	-CS	-CU	-BS	-BU
090604 COVER			1				1	
090604 COVER w/ TYPE A USB				1				1
090606 TALL COVER	1				1			
090606 TALL COVER w/ TYPE A USB		1				1		
090604 BASE			1		1			
090604 BASE w/ TYPE A USB				1		1		
090606 TALL BASE	1						1	
090606 TALL BASE w/ TYPE A USB		1						1

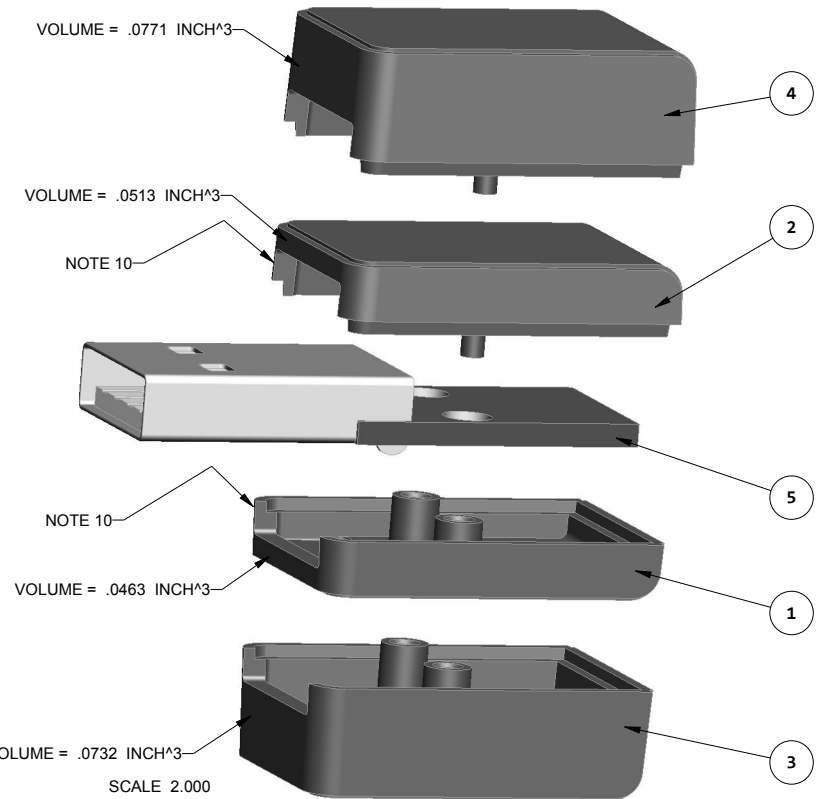
ITEM	DESCRIPTION	MATERIAL	COLOR	QTY.
5	090604 PCB - REFERENCE	.062" THICK	CUSTOMER SUPPLIED	1
4	090606U COVER - STANDARD	ABS	BLACK or WHITE	1
3	090606U BASE - STANDARD	ABS	BLACK or WHITE	1
2	090604U COVER - STANDARD	ABS	BLACK or WHITE	1
1	090604U BASE - STANDARD	ABS	BLACK or WHITE	1

**BILL OF MATERIALS**

R E V I S I O N					
REV.	DRAWN BY	ECO No	DESCRIPTION	DATE	APPROVED
A	M BOYER	DR XXX	PRELIMINARY RELEASE	17-Sep-11	D.C.
B	M BOYER		ADD THICKER COMPONENTS	09-May-12	D.C.
C	M BOYER		ADD SECOND PRESS POST	15-May-12	D.C.
D	M BOYER		REDUCE WIDTH AND THICKNESS	16-May-12	D.C.
E	M BOYER		ADD VIEWS AND NOTES	06-Feb-13	



EXAMPLES

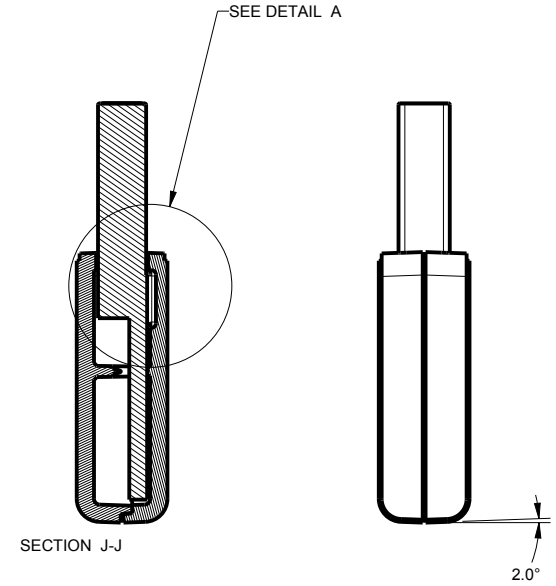
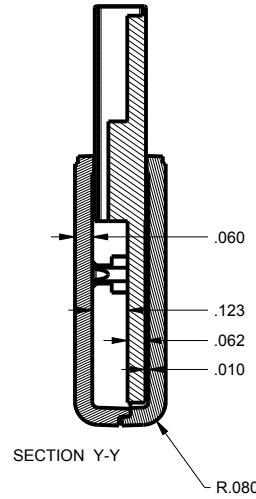
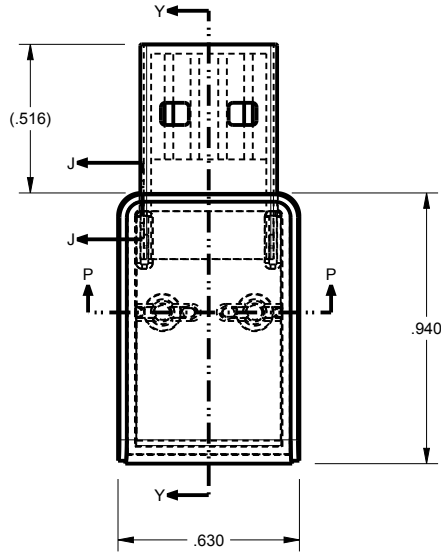


<p>THIRD ANGLE PROJECTION</p> <p>DO NOT SCALE DRAWING</p>	<p>TOLERANCES: UNLESS OTHERWISE SPECIFIED DIMENSIONS ARE IN U.S. INCHES.</p> <p>X.XX = .015 X.XXXX = .001</p> <p>X.XXX = .010 X.X" = 1"</p>	<p><b>NEW AGE ENCLOSURES</b></p> <p>4330 Santa Fe Road San Luis Obispo, CA. 93401                  ph. (805) 595-1310 fax (805) 595-1024</p> <p><a href="http://www.newageenclosures.com">www.newageenclosures.com</a></p>	
	<p>Customer's Part No: 090604</p>		
<p>NOTICE: THE INFORMATION AND DATA CONTAINED HEREIN IS CONSIDERED PROPRIETARY TO ALLTEC INTEGRATED MFG INC &amp; SHALL REMAIN THE EXCLUSIVE PROPERTY OF ALLTEC INTEGRATED MFG INC. THE HOLDER WILL ASSUME CUSTODY AND CONTROL THAT THIS DOCUMENT WILL NOT BE COPIED, REPRODUCED, OR DISCLOSED WITHOUT THE EXPRESS WRITTEN CONSENT OF ALLTEC INTEGRATED MFG INC. POSSESSION OF THIS DOCUMENT DOES NOT CONSTITUTE A GRANT TO MANUFACTURE ANY ITEMS.</p> <p>© 2013</p>	<p>DRAWN BY M BOYER</p> <p>17-Sep-11</p>	<p>SIZE A</p> <p>DRAWING NAME 090604_RE</p>	<p>SHEET 1 OF 7</p> <p>REV.DOC E</p>

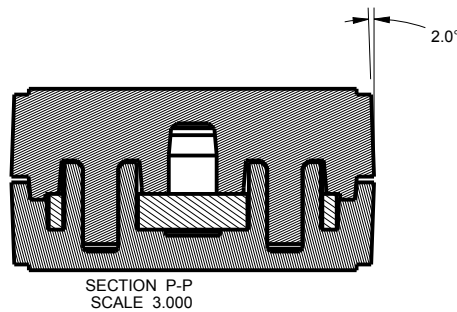
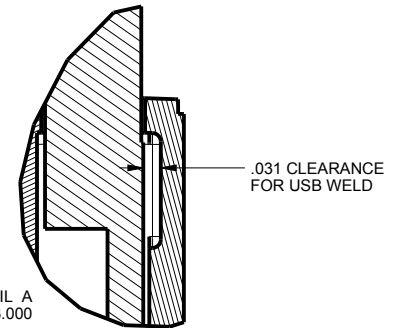
**EXPAND. USB - STANDARD**

**090604XX-XXX**

# 090604FU ASSEMBLY



SCALE 1.500



TOLERANCES: UNLESS OTHERWISE SPECIFIED  
DIMENSIONS ARE IN U.S. INCHES.  
X.XX = .015 X.XXXX = .001  
X.XXX = .010 X.X° = 1°

NEW AGE ENCLOSURES  
Customer's Part No: 090604

APPROVAL	BY	DATE
CHECK		
ENG.		
SCALE	AS NOTED	

DRAWN BY	17-Sep-11
M BOYER	

**NEW AGE ENCLOSURES**  
4330 Santa Fe Road San Luis Obispo, CA. 93401  
ph. (805) 595-1310 fax (805) 595-1024  
[www.newageenclosures.com](http://www.newageenclosures.com)

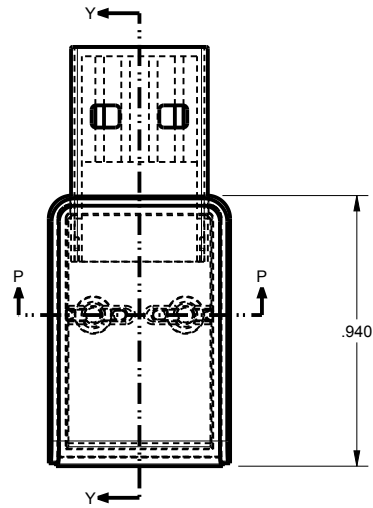
**EXPAND. USB - STANDARD**  
**090604XX-XXX**

SIZE	DRAWING NAME	SHEET	REV.DOC
A	090604_RE	2 OF 7	E

# 090604TU ASSEMBLY



SCALE 1.500



SECTION P-P  
SCALE 3.000



SECTION Y-Y



TOLERANCES: UNLESS OTHERWISE SPECIFIED  
DIMENSIONS ARE IN U.S. INCHES.  
X.XX = .015 X.XXXX = .001  
X.XXX = .010 X.X° = 1°

NEW AGE ENCLOSURES

Customer's Part No: 090604

APPROVAL	BY	DATE
CHECK		
ENG.		
SCALE	AS NOTED	

DRAWN BY  
M BOYER 17-Sep-11

**NEW AGE ENCLOSURES**

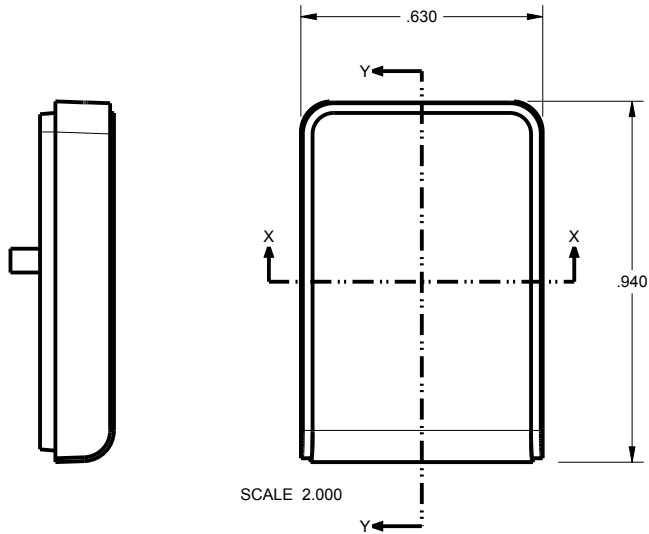
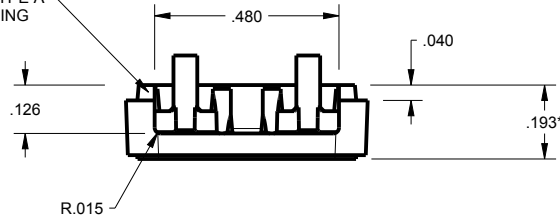
4330 Santa Fe Road San Luis Obispo, CA. 93401  
ph. (805) 595-1310 fax (805) 595-1024  
[www.newageenclosures.com](http://www.newageenclosures.com)

**EXPAND. USB - STANDARD**  
**090604XX-XXX**

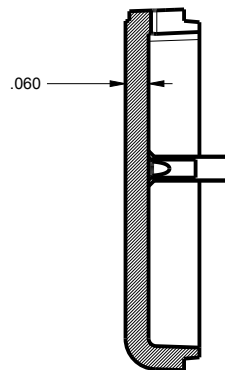
SIZE A	DRAWING NAME 090604_RE	SHEET 3 OF 7	REV.DOC E
-----------	---------------------------	-----------------	--------------

# 090604 COVER

OPTIONAL TYPE A  
USB OPENING

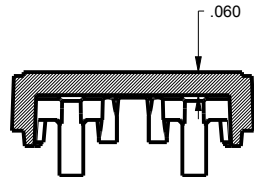
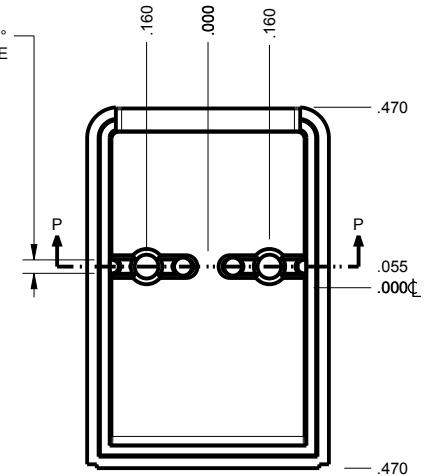


SCALE 2.000

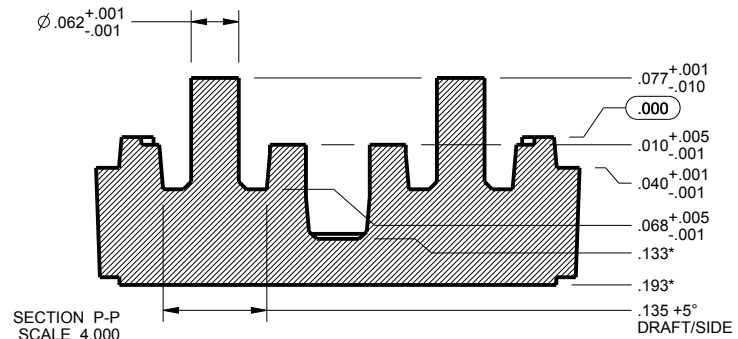


SECTION Y-Y

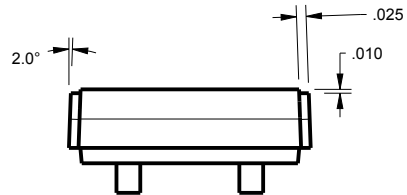
.035 +1°  
DRAFT/SIDE



SECTION X-X



SECTION P-P  
SCALE 4.000



TOLERANCES: UNLESS OTHERWISE SPECIFIED  
DIMENSIONS ARE IN U.S. INCHES.  
X.XX = .015 X.XXXX = .001  
X.XXX = .010 X.X° = 1°

NEW AGE ENCLOSURES

Customer's Part No: 090604

APPROVAL	BY	DATE
CHECK		
ENG.		
SCALE	AS NOTED	

DRAWN BY  
M BOYER 17-Sep-11

**NEW AGE ENCLOSURES**

4330 Santa Fe Road San Luis Obispo, CA. 93401  
ph. (805) 595-1310 fax (805) 595-1024

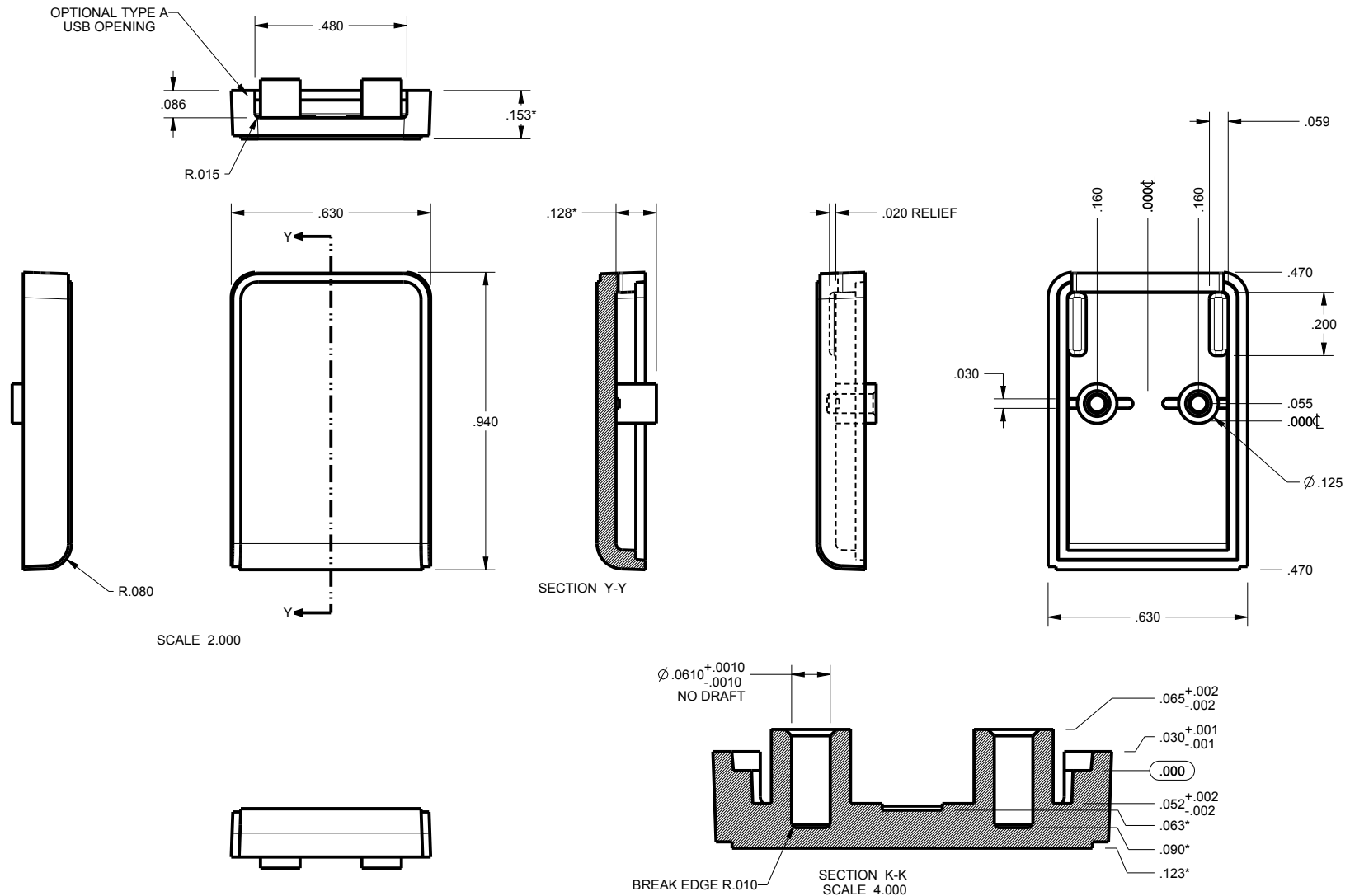
[www.newageenclosures.com](http://www.newageenclosures.com)

**EXPAND. USB - STANDARD**  
**090604XX-XXX**

SIZE A	DRAWING NAME 090604_RE	SHEET 4 OF 7	REV.DOC E
-----------	---------------------------	-----------------	--------------

\* = ADD .100" TO DIMENSION FOR 090606 (FAT) COVER.

# 090604 BASE



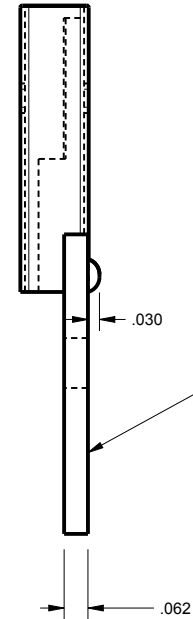
TOLERANCES: UNLESS OTHERWISE SPECIFIED DIMENSIONS ARE IN U.S. INCHES. X.XX = .015 X.XXXX = .001 X.XXX = .010 X.X° = 1°		<b>NEW AGE ENCLOSURES</b>	
Customer's Part No: 090604		4330 Santa Fe Road San Luis Obispo, CA. 93401 ph. (805) 595-1310 fax (805) 595-1024 <a href="http://www.newageenclosures.com">www.newageenclosures.com</a>	
APPROVAL	BY	DATE	<b>EXPAND. USB - STANDARD</b> <b>090604XX-XXX</b>
CHECK			
ENG.			
SCALE	AS NOTED		
DRAWN BY	SIZE	DRAWING NAME	SHEET
M BOYER	A	090604_RE	5 OF 7
	17-Sep-11		REV.DOC
			E

\* = ADD .100" TO DIMENSION FOR 090606 (FAT) BASE.

# 090604 PCB CUSTOMER SUPPLIED

PCB SIZES ARE RECOMMENDATIONS ONLY. FINAL  
SIZES AND VERIFICATION OF IT'S FIT ARE THE  
SOLE RESPONSIBILITY OF THE OEM.

REFERENCE ONLY  
USB PLUG CONNECTOR  
ACON ADVANCED CONNECTEK INC.  
PN. C-UAR70-00-00



THE ENCLOSURE CAN ACCOMODATE  
VARIOUS PCB THICKNESSES  
BY REPLACING MOLD INSERTS  
AT MINIMAL COST.  
PLEASE CONTACT YOUR  
SALES REPRESENTATIVE FOR  
MORE INFORMATION.

SCALE 2.000

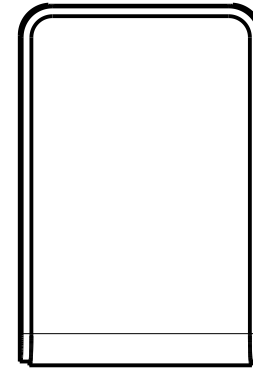
TOLERANCES: UNLESS OTHERWISE SPECIFIED DIMENSIONS ARE IN U.S. INCHES.		<b>NEW AGE ENCLOSURES</b>		
X.XX = .015   X.XXXX = .001 X.XXX = .010   X.X° = 1°				
NEW AGE ENCLOSURES		4330 Santa Fe Road   San Luis Obispo, CA. 93401 ph. (805) 595-1310   fax (805) 595-1024 <a href="http://www.newageenclosures.com">www.newageenclosures.com</a>		
Customer's Part No: 090604				
APPROVAL	BY	DATE	<b>EXPAND. USB - STANDARD 090604XX-XXX</b>	
CHECK				
ENG.				
SCALE	AS NOTED			
DRAWN BY	SIZE	DRAWING NAME	SHEET	REV.DOC
M BOYER	A	090604_RE	6 OF 7	E

## 2nd OPERATION DETAILS

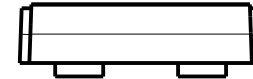
NEW AGE ENCLOSURES DELIVERS YOUR ENCLOSURE MARKET-READY WITH IN-HOUSE  
CNC MACHINING, PAD PRINTING, ASSEMBLY, AND FULFILLMENT.  
ALL SURFACES AND AREAS ARE AVAILABLE FOR CNC ALTERATION BY NEW AGE ENCLOSURES  
CALL (805) 595-1310 FOR PRICING AND SCHEDULE.  
THE INSIDE RADIUS OF ANY MACHINED FEATURES SHOULD BE NO SMALLER THAN .031"



090604 COVER  
SCALE 2.000



090604 BASE  
SCALE 2.000



**PXX-090604XX-XXX COVER - ABS, BLACK**

STEP NO	DESCRIPTION	CUTTER	FIXTURE	ORIENTATION	PROGRAM
1	-	T2 = .062" EM	-	-	-

**PXX-090604XX-XXX COVER - ABS, BLACK**

STEP NO	DESCRIPTION	INK COLOR	CLICHE DESCRIPTION	CLICHE No.
2	PAD PRINT			CL1010

TOLERANCES: UNLESS OTHERWISE SPECIFIED  
DIMENSIONS ARE IN U.S. INCHES.  
X.XX = .015 X.XXXX = .001  
X.XXX = .010 XX° = 1°

**NEW AGE ENCLOSURES**  
Customer's Part No: 090604

APPROVAL	BY	DATE
CHECK		
ENG.		
SCALE	AS NOTED	
DRAWN BY	17-Sep-11	
M BOYER		

**NEW AGE ENCLOSURES**  
4330 Santa Fe Road San Luis Obispo, CA. 93401  
ph. (805) 595-1310 fax (805) 595-1024  
[www.newageenclosures.com](http://www.newageenclosures.com)

**EXPAND. USB - STANDARD  
090604XX-XXX**

SIZE	DRAWING NAME	SHEET	REV.DOC
A	090604_RE	7 OF 7	E

Компания «Океан Электроники» предлагает заключение долгосрочных отношений при поставках импортных электронных компонентов на взаимовыгодных условиях!

Наши преимущества:

- Поставка оригинальных импортных электронных компонентов напрямую с производств Америки, Европы и Азии, а так же с крупнейших складов мира;
- Широкая линейка поставок активных и пассивных импортных электронных компонентов (более 30 млн. наименований);
- Поставка сложных, дефицитных, либо снятых с производства позиций;
- Оперативные сроки поставки под заказ (от 5 рабочих дней);
- Экспресс доставка в любую точку России;
- Помощь Конструкторского Отдела и консультации квалифицированных инженеров;
- Техническая поддержка проекта, помощь в подборе аналогов, поставка прототипов;
- Поставка электронных компонентов под контролем ВП;
- Система менеджмента качества сертифицирована по Международному стандарту ISO 9001;
- При необходимости вся продукция военного и аэрокосмического назначения проходит испытания и сертификацию в лаборатории (по согласованию с заказчиком);
- Поставка специализированных компонентов военного и аэрокосмического уровня качества (Xilinx, Altera, Analog Devices, Intersil, Interpoint, Microsemi, Actel, Aeroflex, Peregrine, VPT, Syfer, Eurofarad, Texas Instruments, MS Kennedy, Miteq, Cobham, E2V, MA-COM, Hittite, Mini-Circuits, General Dynamics и др.);

Компания «Океан Электроники» является официальным дистрибьютором и эксклюзивным представителем в России одного из крупнейших производителей разъемов военного и аэрокосмического назначения «**JONHON**», а так же официальным дистрибьютором и эксклюзивным представителем в России производителя высокотехнологичных и надежных решений для передачи СВЧ сигналов «**FORSTAR**».



## JONHON

«**JONHON**» (основан в 1970 г.)

Разъемы специального, военного и аэрокосмического назначения:

(Применяются в военной, авиационной, аэрокосмической, морской, железнодорожной, горно- и нефтедобывающей отраслях промышленности)

«**FORSTAR**» (основан в 1998 г.)

ВЧ соединители, коаксиальные кабели,  
кабельные сборки и микроволновые компоненты:

(Применяются в телекоммуникациях гражданского и специального назначения, в средствах связи, РЛС, а так же военной, авиационной и аэрокосмической отраслях промышленности).



Телефон: 8 (812) 309-75-97 (многоканальный)

Факс: 8 (812) 320-03-32

Электронная почта: [ocean@oceanchips.ru](mailto:ocean@oceanchips.ru)

Web: <http://oceanchips.ru/>

Адрес: 198099, г. Санкт-Петербург, ул. Калинина, д. 2, корп. 4, лит. А