

# 15.5kV E-Rated

Medium voltage fuses for feeder circuit, switchgear and transformer protection



### Description:

- The Bussmann® series of E-Rated, current-limiting, medium voltage fuses are for feeder circuit, switchgear and transformer protection.

### Features and benefits:

- Current-limiting E-Rated medium voltage fuses are defined by their melting time-current characteristic that permit their electrical interchangeability with other fuses of the same E Rating.
- E-Rated fuses must have a defined current response time specified by ANSI C37.46. E-Rated fuse of 100 amps and below must melt in 300 seconds at an RMS current within the range of 200% to 240% of the fuse's nameplate current rating. E-Rated fuses greater than 100 amps must melt in 600 seconds at an RMS current within the range of 220% to 264% of the fuse's nameplate current rating.
- E-Rated fuses are physically dimensioned for easy installation in existing hardware.
- Current-limiting fuses provide positive interruption even on low fault currents. The fuse limits the magnitude of electromechanical stresses in the protected apparatus.
- Constructions available in ferrule, bolt-on and clip-lock, and specialty mount fuses for AMPGARD™ motor starters
- Outdoor rating available on select catalog numbers (requires installation in a suitable enclosure).
- Open fuse indicator easily integrates into automation schemes and speeds troubleshooting by providing a positive visual indication of fuse operation.
- 50/60Hz operating frequency for worldwide application.
- Mountings are available in disconnect and non-disconnect versions with porcelain or glass polyester insulators.
- Live parts and end fittings available.

### Typical applications:

- Medium voltage transformer primary protection
- Medium voltage feeder circuit protection
- Medium voltage switches
- Medium voltage metal-enclosed switchgear

### E-Rated medium voltage ferrule fuses

#### Catalog symbols:

- General purpose
  - 15CLE-\_E-D (long construction, 10-25A)
  - 15CLE-\_E (long construction, 15-300A)
  - 15HLE-\_E (short construction, 10-250A)
  - 15LHLE-\_E (intermediate construction, 65-300A)
- Full range (per ANSI C37.40)
  - MV155F\_

#### Ratings\*:

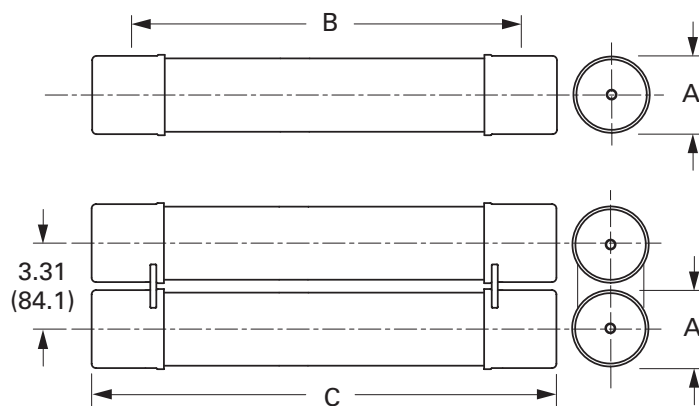
- Volts — 15.5kV
- Amps — 10 to 300A
- Interrupting ratings — 31.5 to 63kA RMS Sym.

\* See catalog number tables for voltages, ampacities and interrupting ratings by catalog number.

#### Agency information:

- E-Rated fuses meet the performance characteristics of ANSI C37.46
- UL® Listed, Guide JEEG, File E240398. See catalog numbers.

#### Dimensions (see catalog number tables for values)



#### Recommended fuseclips and holders:

| Amp rating                               | Fuse mounting type* | Voltage BIL (kV) | Approximate dimensions - in (mm) |             |             | Catalog number                                  |                           | Live parts (including end fittings) | End fittings (disconnect only) |
|--|---------------------|------------------|----------------------------------|-------------|-------------|---|---------------------------|-------------------------------------|--------------------------------|
|  |                     |                  | Diameter                         | Clip center | Length      | Mounting (including live parts, end fittings)** | Glass-polyester insulator |                                     |                                |
| CLE                                      |                     |                  | A                                | B           | C           | Porcelain insulator                             |                           |                                     |                                |
| 15E-25E<br>Single barrel                 | Non-disconnect      | 95               | 2 (51)                           | 20 (508)    | 21.5 (546)  | 15CLE-PNM-C                                     | 15CLE-GNM-C               | CLE-NL-C                            | —                              |
|  |                     | 110              |                                  |             |             | 15CLE-HPNM-C                                    | —                         | CLE-NL-C                            | —                              |
|  | Disconnect†         | 95               |                                  |             |             | 15CLE-PDM-C                                     | 15CLE-GDM-C               | CLE-DL-C                            | CLE-DF-C                       |
|  |                     | 110              |                                  |             |             | 15CLE-HPDM-C                                    | —                         | CLE-DL-C                            | CLE-DF-C                       |
| 10E-D-25E-D<br>30E-150E<br>Single barrel | Non-disconnect      | 95               | 3 (76)                           | 20 (508)    | 23.9 (607)  | 15CLE-PNM-D                                     | 15CLE-GNM-D               | CLE-NL-D                            | —                              |
|  |                     | 110              |                                  |             |             | 15CLE-HPM-D                                     | —                         | CLE-NL-D                            | —                              |
|  | Disconnect†         | 95               |                                  |             |             | 15CLE-PDM-D                                     | 15CLE-GNM-D               | CLE-DL-D                            | CLE-DF-D                       |
|  |                     | 110              |                                  |             |             | 15CLE-HPDM-D                                    | —                         | CLE-DL-D                            | CLE-DF-D                       |
| 175E-300E<br>Double barrel               | Non-disconnect      | 110              | 3 (76)                           | 20 (508)    | 23.9 (607)  | 15CLE-PNM-E                                     | —                         | CLE-NL-E                            | —                              |
|  | Disconnect†         | 110              |                                  |             |             | 15CLE-PDM-E                                     | —                         | CLE-DL-E                            | CLE-DF-E                       |
| <b>HLE</b>                               |                     |                  |                                  |             |             |   |                           |                                     |                                |
| 10E-125E<br>Single barrel                | Non-disconnect      | 95               | 3 (76)                           | 15 (381)    | 18.9 (480)  | 15HLE-PNM-D                                     | 15HLE-GNM-D               | CLE-NL-D                            | —                              |
|  | Disconnect†         | 95               |                                  |             |             | 15HLE-PDM-D                                     | 15HLE-GDM-D               | CLE-DL-D                            | CLE-DF-D                       |
| 150E-250E<br>Double barrel               | Non-disconnect      | 95               | 3 (76)                           | 15 (381)    | 18.9 (480)  | 15HLE-PNM-E                                     | —                         | CLE-NL-E                            | —                              |
|  | Disconnect†         | 95               |                                  |             |             | 15HLE-PDM-E                                     | —                         | CLE-DL-E                            | CLE-DF-E                       |
| <b>LHLE</b>                              |                     |                  |                                  |             |             |   |                           |                                     |                                |
| 65E-150E<br>Single barrel                | Non-disconnect      | —                | 3 (76)                           | 18 (457)    | 20.53 (521) | Not available                                   | Not available             | CLE-NL-D                            | —                              |
|  | Disconnect†         | —                |                                  |             |             | Not available                                   | Not available             | CLE-DL-D                            | CLE-DF-D                       |
| 175E-300E<br>Double barrel               | Non-disconnect      | —                | 3 (76)                           | 18 (457)    | 20.53 (521) | Not available                                   | Not available             | CLE-NL-E                            | —                              |
|  | Disconnect†         | —                |                                  |             |             | Not available                                   | Not available             | CLE-DL-E                            | CLE-DF-E                       |

\* See page 10 for illustrations and dimensions

\*\* End fittings supplied only when required.

† Disconnect mountings provide a means for fuse extraction only. Do not use a disconnect mounting for load switching or fuse removal while energized.

**CLE, HLE and LHLE type general purpose fuses**

| Amp rating                    | Dimensions - in (mm) |            |                | Interrupting rating kA (RMS Sym.) | Number of barrels | Installation location | Catalog number |
|-------------------------------|----------------------|------------|----------------|-----------------------------------|-------------------|-----------------------|----------------|
|                               | Length A             | Diameter B | Clip centers C |                                   |                   |                       |                |
| <b>CLE Long construction</b>  |                      |            |                |                                   |                   |                       |                |
| 10                            | 23.9 (607)           | 3 (76)     | 20 (508)       | 63                                | 1                 | Indoor/outdoor        | 15CLE-10E-D    |
| 15                            | 21.5 (546)           | 2 (51)     | 20 (508)       | 31.5                              | 1                 | Indoor                | 15CLE-15E*     |
| 15                            | 23.9 (607)           | 3 (76)     | 20 (508)       | 63                                | 1                 | Indoor/outdoor        | 15CLE-15E-D    |
| 20                            | 21.5 (546)           | 2 (51)     | 20 (508)       | 31.5                              | 1                 | Indoor                | 15CLE-20E*     |
| 20                            | 23.9 (607)           | 3 (76)     | 20 (508)       | 63                                | 1                 | Indoor/outdoor        | 15CLE-20E-D    |
| 25                            | 21.5 (546)           | 2 (51)     | 20 (508)       | 31.5                              | 1                 | Indoor                | 15CLE-25E*     |
| 25                            | 23.9 (607)           | 3 (76)     | 20 (508)       | 63                                | 1                 | Indoor/outdoor        | 15CLE-25E-D    |
| 30                            | 23.9 (607)           | 3 (76)     | 20 (508)       | 63                                | 1                 | Indoor/outdoor        | 15CLE-30E      |
| 40                            | 23.9 (607)           | 3 (76)     | 20 (508)       | 63                                | 1                 | Indoor/outdoor        | 15CLE-40E†     |
| 50                            | 23.9 (607)           | 3 (76)     | 20 (508)       | 63                                | 1                 | Indoor/outdoor        | 15CLE-50E†     |
| 65                            | 23.9 (607)           | 3 (76)     | 20 (508)       | 63                                | 1                 | Indoor/outdoor        | 15CLE-65E†     |
| 80                            | 23.9 (607)           | 3 (76)     | 20 (508)       | 63                                | 1                 | Indoor/outdoor        | 15CLE-80E†     |
| 100                           | 23.9 (607)           | 3 (76)     | 20 (508)       | 63                                | 1                 | Indoor/outdoor        | 15CLE-100E†    |
| 125                           | 23.9 (607)           | 3 (76)     | 20 (508)       | 63                                | 1                 | Indoor/outdoor        | 15CLE-125E†    |
| 150                           | 23.9 (607)           | 3 (76)     | 20 (508)       | 63                                | 1                 | Indoor/outdoor        | 15CLE-150E†    |
| 175                           | 23.9 (607)           | 3 (76)     | 20 (508)       | 63                                | 2                 | Indoor/outdoor        | 15CLE-175E†    |
| 200                           | 23.9 (607)           | 3 (76)     | 20 (508)       | 63                                | 2                 | Indoor/outdoor        | 15CLE-200E†    |
| 250                           | 23.9 (607)           | 3 (76)     | 20 (508)       | 63                                | 2                 | Indoor/outdoor        | 15CLE-250E†    |
| 300                           | 23.9 (607)           | 3 (76)     | 20 (508)       | 63                                | 2                 | Indoor/outdoor        | 15CLE-300E†    |
| <b>HLE Short construction</b> |                      |            |                |                                   |                   |                       |                |
| 10                            | 18.9 (480)           | 3 (76)     | 15 (381)       | 63                                | 1                 | Indoor/outdoor        | 15HLE-10E      |
| 15                            | 18.9 (480)           | 3 (76)     | 15 (381)       | 63                                | 1                 | Indoor/outdoor        | 15HLE-15E      |
| 20                            | 18.9 (480)           | 3 (76)     | 15 (381)       | 63                                | 1                 | Indoor/outdoor        | 15HLE-20E      |
| 25                            | 18.9 (480)           | 3 (76)     | 15 (381)       | 63                                | 1                 | Indoor/outdoor        | 15HLE-25E      |
| 30                            | 18.9 (480)           | 3 (76)     | 15 (381)       | 63                                | 1                 | Indoor/outdoor        | 15HLE-30E      |
| 40                            | 18.9 (480)           | 3 (76)     | 15 (381)       | 63                                | 1                 | Indoor/outdoor        | 15HLE-40E†     |
| 50                            | 18.9 (480)           | 3 (76)     | 15 (381)       | 63                                | 1                 | Indoor/outdoor        | 15HLE-50E†     |
| 65                            | 18.9 (480)           | 3 (76)     | 15 (381)       | 63                                | 1                 | Indoor/outdoor        | 15HLE-65E†     |
| 80                            | 18.9 (480)           | 3 (76)     | 15 (381)       | 63                                | 1                 | Indoor/outdoor        | 15HLE-80E†     |
| 100                           | 18.9 (480)           | 3 (76)     | 15 (381)       | 63                                | 1                 | Indoor/outdoor        | 15HLE-100E†    |
| 125                           | 18.9 (480)           | 3 (76)     | 15 (381)       | 63                                | 1                 | Indoor/outdoor        | 15HLE-125E†    |
| 150                           | 18.9 (480)           | 3 (76)     | 15 (381)       | 63                                | 2                 | Indoor/outdoor        | 15HLE-150E†    |
| 175                           | 18.9 (480)           | 3 (76)     | 15 (381)       | 63                                | 2                 | Indoor/outdoor        | 15HLE-175E†    |
| 200                           | 18.9 (480)           | 3 (76)     | 15 (381)       | 63                                | 2                 | Indoor/outdoor        | 15HLE-200E†    |
| 250                           | 18.9 (480)           | 3 (76)     | 15 (381)       | 63                                | 2                 | Indoor/outdoor        | 15HLE-250E†    |
| <b>LHLE</b>                   |                      |            |                |                                   |                   |                       |                |
| 65                            | 20.5 (521)           | 3 (76)     | 18 (457)       | 50                                | 1                 | Indoor/outdoor        | 15LHLE-65E     |
| 80                            | 20.5 (521)           | 3 (76)     | 18 (457)       | 50                                | 1                 | Indoor/outdoor        | 15LHLE-80E     |
| 100                           | 20.5 (521)           | 3 (76)     | 18 (457)       | 50                                | 1                 | Indoor/outdoor        | 15LHLE-100E    |
| 125                           | 20.5 (521)           | 3 (76)     | 18 (457)       | 50                                | 1                 | Indoor/outdoor        | 15LHLE-125E    |
| 150                           | 20.5 (521)           | 3 (76)     | 18 (457)       | 50                                | 1                 | Indoor/outdoor        | 15LHLE-150E    |
| 175                           | 20.5 (521)           | 3 (76)     | 18 (457)       | 50                                | 2                 | Indoor/outdoor        | 15LHLE-175E    |
| 200                           | 20.5 (521)           | 3 (76)     | 18 (457)       | 50                                | 2                 | Indoor/outdoor        | 15LHLE-200E    |
| 250                           | 20.5 (521)           | 3 (76)     | 18 (457)       | 50                                | 2                 | Indoor/outdoor        | 15LHLE-250E    |
| 300                           | 20.5 (521)           | 3 (76)     | 18 (457)       | 50                                | 2                 | Indoor/outdoor        | 15LHLE-300E    |

\* Fuses conform to dimensional standards established by Westinghouse.

† UL Listed, Guide JEEG, File E240398.

MV155F\_ full range

| Amp rating | Dimensions - in (mm) |            |                | Interrupting rating kA (RMS Sym.) | Number of barrels | Installation location | Catalog number |
|------------|----------------------|------------|----------------|-----------------------------------|-------------------|-----------------------|----------------|
|            | Length A             | Diameter B | Clip centers C |                                   |                   |                       |                |
| 5          | 18.7 (475)           | 2 (51)     | 15 (381)       | 50                                | 1                 | Indoor                | MV155F1CBX5E   |
| 7          | 18.7 (475)           | 2 (51)     | 15 (381)       | 50                                | 1                 | Indoor                | MV155F1CBX7E   |
| 10         | 18.7 (475)           | 2 (51)     | 15 (381)       | 50                                | 1                 | Indoor                | MV155F1CBX10E  |
| 10         | 18.7 (475)           | 3 (76)     | 15 (381)       | 50                                | 1                 | Indoor                | MV155F1DBX10E  |
| 15         | 18.7 (475)           | 2 (51)     | 15 (381)       | 50                                | 1                 | Indoor                | MV155F1CBX15E  |
| 15         | 18.7 (475)           | 3 (76)     | 15 (381)       | 50                                | 1                 | Indoor                | MV155F1DBX15E  |
| 20         | 18.7 (475)           | 2 (51)     | 15 (381)       | 50                                | 1                 | Indoor                | MV155F1CBX20E  |
| 20         | 18.7 (475)           | 3 (76)     | 15 (381)       | 50                                | 1                 | Indoor                | MV155F1DBX20E  |
| 25         | 18.7 (475)           | 2 (51)     | 15 (381)       | 50                                | 1                 | Indoor                | MV155F1CBX25E  |
| 25         | 18.7 (475)           | 3 (76)     | 15 (381)       | 50                                | 1                 | Indoor                | MV155F1DBX25E  |
| 30         | 18.7 (475)           | 2 (51)     | 15 (381)       | 50                                | 1                 | Indoor                | MV155F1CBX30E  |
| 30         | 18.7 (475)           | 3 (76)     | 15 (381)       | 50                                | 1                 | Indoor                | MV155F1DBX30E  |
| 40         | 18.7 (475)           | 3 (76)     | 15 (381)       | 50                                | 1                 | Indoor                | MV155F1DBX40E  |
| 50         | 18.7 (475)           | 3 (76)     | 15 (381)       | 50                                | 1                 | Indoor                | MV155F1DBX50E  |
| 65         | 18.7 (475)           | 3 (76)     | 15 (381)       | 50                                | 1                 | Indoor                | MV155F1DBX65E  |
| 65         | 21.7 (551)           | 3 (76)     | 18 (457)       | 50                                | 1                 | Indoor                | MV155F1DCX65E  |
| 80         | 18.7 (475)           | 3 (76)     | 15 (381)       | 50                                | 1                 | Indoor                | MV155F1DBX80E  |
| 80         | 21.7 (551)           | 3 (76)     | 18 (457)       | 50                                | 1                 | Indoor                | MV155F1DCX80E  |
| 100        | 18.7 (475)           | 3 (76)     | 15 (381)       | 50                                | 1                 | Indoor                | MV155F1DBX100E |
| 100        | 21.7 (551)           | 3 (76)     | 18 (457)       | 50                                | 1                 | Indoor                | MV155F1DCX100E |
| 125        | 18.7 (475)           | 3 (76)     | 15 (381)       | 50                                | 2                 | Indoor                | MV155F2DBX125E |
| 125        | 21.7 (551)           | 3 (76)     | 18 (457)       | 50                                | 2                 | Indoor                | MV155F2DCX125E |
| 150        | 18.7 (475)           | 3 (76)     | 15 (381)       | 50                                | 2                 | Indoor                | MV155F2DBX150E |
| 150        | 21.7 (551)           | 3 (76)     | 18 (457)       | 50                                | 2                 | Indoor                | MV155F2DCX150E |
| 175        | 18.7 (475)           | 3 (76)     | 15 (381)       | 50                                | 2                 | Indoor                | MV155F2DBX175E |
| 175        | 21.7 (551)           | 3 (76)     | 18 (457)       | 50                                | 2                 | Indoor                | MV155F2DCX175E |
| 200        | 18.7 (475)           | 3 (76)     | 15 (381)       | 50                                | 2                 | Indoor                | MV155F2DBX200E |
| 200        | 21.7 (551)           | 3 (76)     | 18 (457)       | 50                                | 2                 | Indoor                | MV155F2DCX200E |

Recommended MV155 fuseclips:

| Description                  | Fuse diameter - in (mm) | Figure | Clip dimensions - in (mm) |           |           |           |            |           |          | Catalog number |
|------------------------------|-------------------------|--------|---------------------------|-----------|-----------|-----------|------------|-----------|----------|----------------|
|                              |                         |        | A                         | B         | C         | D         | E          | F         | G        |                |
| Enclosed fuseclip            | 2 (51)                  | 1      | 3.75 (95)                 | 1.98 (50) | 2.01 (51) | 1.19 (30) | 4.54 (115) | 1.51 (38) | 0.4 (10) | A3354710*      |
| Enclosed fuseclip            | 3 (76)                  | 1      | 4.14 (105)                | 2.45 (62) | 3.01 (76) | 1.19 (30) | 5.64 (143) | 1.51 (38) | 0.4 (10) | A3354730*      |
| Open fuseclip                | 3 (76)                  | 2      | See dimensions drawing    |           |           |           |            |           |          | 1A0065         |
| Spring loaded open fuse-clip | 3 (76)                  | 3      | See dimensions drawing    |           |           |           |            |           |          | 9078A67G04     |

\*For single barrel applications only. Not sold in pairs.

Figure 1

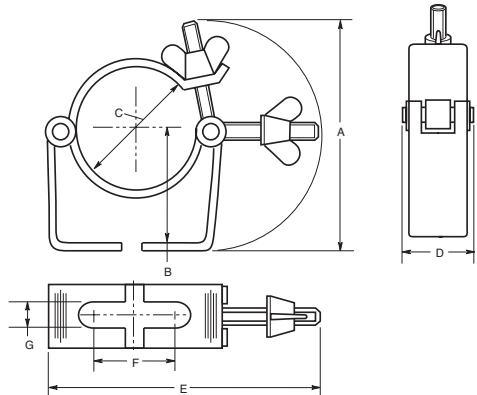
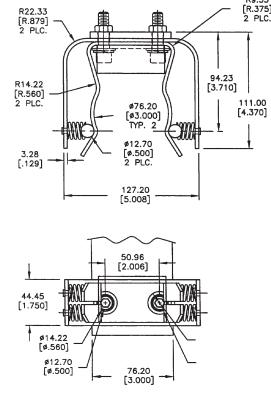


Figure 2



Figure 3



15.5kV Time-current curves – minimum melt for MV155 2 inch diameter fuses



MV155\_ (2 inch diameter)

15.5kV time-current curves – total clear for MV155\_ 2 inch diameter fuses



MV155\_ (2 inch diameter)

15.5kV time-current curves – minimum melt for MV155\_ 3 inch diameter fuses



15.5kV time-current curves – total clear for MV155\_ 3 inch diameter fuses



MV155\_ (3 inch diameter)

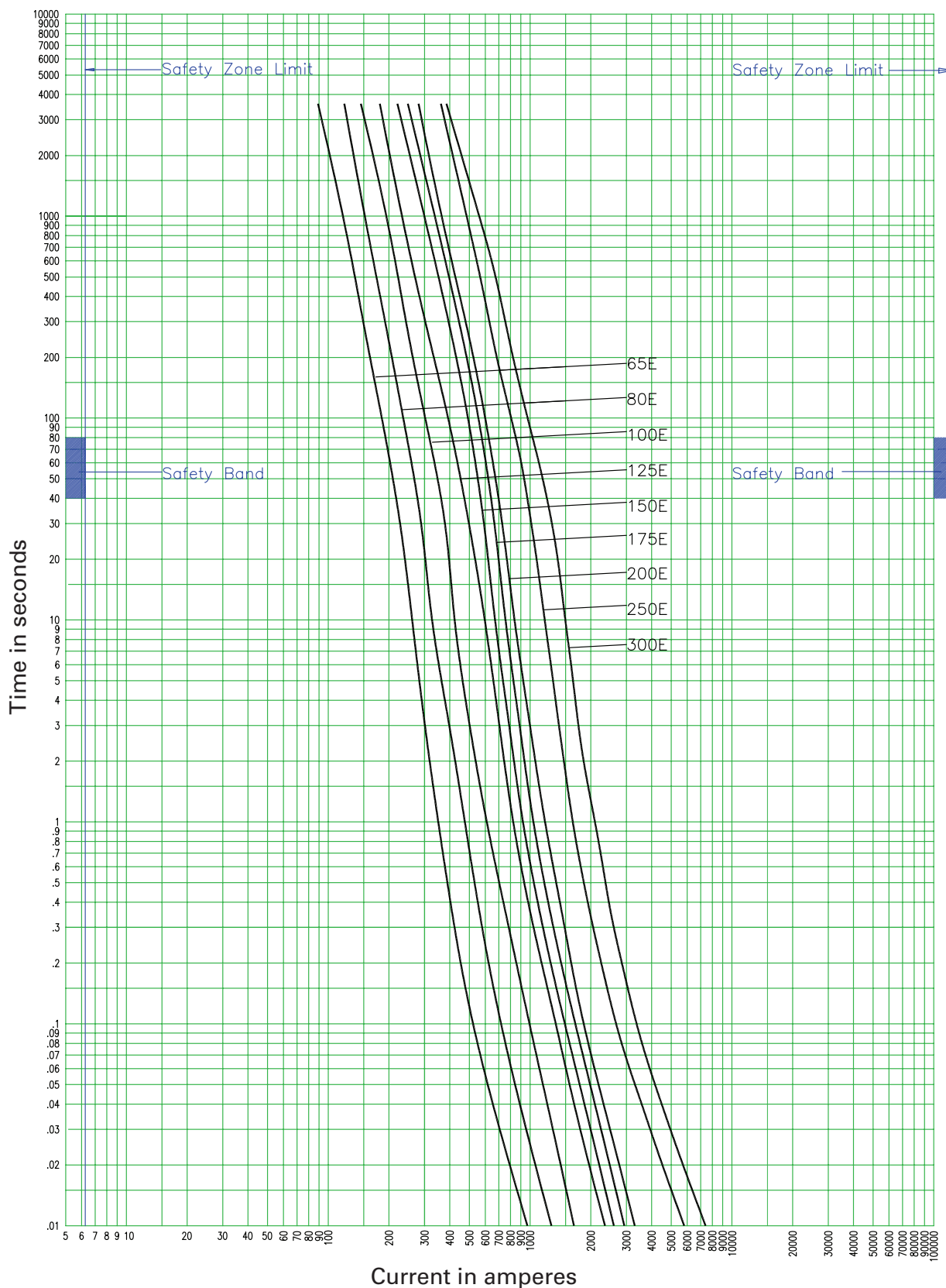


15.5kV peak let-through for MV155\_ 2 and 3 inch diameter fuses



MV155\_ (2 and 3 inch diameter)

15.5kV time-current curves — minimum melt for 15LHLE\_ 3 inch diameter fuses



15LHLE\_ (3 inch diameter)

Curve TC66703203  
April 2011

15.5kV time-current curves — total clear for 15LHLE\_ 3 inch diameter fuses



15LHLE\_ (3 inch diameter)

Curve TC66703303  
April 2011

15.5kV peak let-through for 15LHLE\_ 3 inch diameter fuses



15LHLE\_ (3 inch diameter)

Curve TC70547404  
April 2011

**CLE and HLE type mountings - in (mm)**

| Catalog number                      | Hole centers  |           | Overall length<br>C | Hole Inset<br>D | Hole centers<br>E | Contact height<br>F | Overall height<br>G | BIL<br>kV |
|-------------------------------------|---------------|-----------|---------------------|-----------------|-------------------|---------------------|---------------------|-----------|
|                                     | A             | B         |                     |                 |                   |                     |                     |           |
| <b>Disconnect single barrel†</b>    |               |           |                     |                 |                   |                     |                     |           |
| 15CLE-GDM-C                         | 21.24 (539.5) | 6 (152.4) | 34 (863.6)          | 0.75 (19.0)     | 1.75 (44.4)       | 7 (177.8)           | 12.25 (311.1)       | 95        |
| 15CLE-GDM-D                         | 21.15 (537.2) | 6 (152.4) | 31 (787.4)          | 0.62 (15.7)     | 1.75 (44.4)       | 7 (177.8)           | 14.22 (361.2)       | 95        |
| 15CLE-PDM-C                         | 21.24 (539.5) | 6 (152.4) | 34 (863.6)          | 0.75 (19.0)     | 1.75 (44.4)       | 7 (177.8)           | 12.25 (311.1)       | 95        |
| 15CLE-PDM-D                         | 21.15 (537.2) | 6 (152.4) | 31 (787.4)          | 0.62 (15.7)     | 1.75 (44.4)       | 7 (177.8)           | 14.22 (361.2)       | 95        |
| 15CLE-HPDM-C                        | 21.24 (539.5) | 6 (152.4) | 34 (863.6)          | 0.75 (19.0)     | 1.75 (44.4)       | 8.5 (215.9)         | 13.75 (349.2)       | 110       |
| 15CLE-HPDM-D                        | 21.15 (537.2) | 6 (152.4) | 31 (787.4)          | 0.62 (15.7)     | 1.75 (44.4)       | 8.5 (215.9)         | 15.72 (399.3)       | 110       |
| 15HLE-GDM-D                         | 16.25 (412.8) | 6 (152.4) | 25 (647.7)          | 0.62 (15.7)     | 1.75 (44.4)       | 7 (177.8)           | 14.22 (361.2)       | 95        |
| 15HLE-PDM-D                         | 16.25 (412.8) | 6 (152.4) | 25 (647.7)          | 0.62 (15.7)     | 1.75 (44.4)       | 7 (177.8)           | 14.22 (361.2)       | 95        |
| <b>Disconnect double barrel†</b>    |               |           |                     |                 |                   |                     |                     |           |
| 15CLE-PDM-E                         | 21.15 (537.2) | 6 (152.4) | 31 (787.4)          | 0.62 (15.7)     | 1.75 (44.4)       | 8.5 (215.9)         | 19.28 (489.7)       | 95        |
| 15HLE-GDM-E                         | 16.25 (412.8) | 6 (152.4) | 25 (635)            | 0.62 (15.7)     | 1.75 (44.4)       | 7 (177.8)           | 17.78 (451.6)       | 95        |
| 15HLE-PDM-E                         | 16.25 (412.8) | 6 (152.4) | 25 (635)            | 0.62 (15.7)     | 1.75 (44.4)       | 7 (177.8)           | 17.78 (451.6)       | 95        |
| <b>Non-disconnect single barrel</b> |               |           |                     |                 |                   |                     |                     |           |
| 15CLE-GNM-C                         | 21.25 (539.7) | 6 (152.4) | 30.5 (774.7)        | 0.75 (19.0)     | 1.75 (44.4)       | 7 (177.8)           | 9.75 (247.6)        | 95        |
| 15CLE-PNM-C                         | 21.25 (539.7) | 6 (152.4) | 30.5 (774.7)        | 0.75 (19.0)     | 1.75 (44.4)       | 7 (177.8)           | 9.75 (247.6)        | 95        |
| 15CLE-HPNM-C                        | 21.25 (539.7) | 6 (152.4) | 30.5 (774.7)        | 0.75 (19.0)     | 1.75 (44.4)       | 8.5 (215.9)         | 11.25 (285.7)       | 110       |
| 15CLE-GNM-D                         | 21.15 (539.7) | 6 (152.4) | 31 (787.4)          | 0.62 (15.7)     | 1.75 (44.4)       | 7 (177.8)           | 11.29 (286.7)       | 95        |
| 15CLE-PNM-D                         | 21.15 (539.7) | 6 (152.4) | 31 (787.4)          | 0.62 (15.7)     | 1.75 (44.4)       | 7 (177.8)           | 11.29 (286.7)       | 95        |
| 15CLE-HPNM-D                        | 21.15 (539.7) | 6 (152.4) | 31 (787.4)          | 0.62 (15.7)     | 1.75 (44.4)       | 8.5 (215.9)         | 12.79 (286.7)       | 110       |
| 15HLE-GNM-D                         | 16.25 (412.7) | 6 (152.4) | 25 (635)            | 0.62 (15.7)     | 1.75 (44.4)       | 7 (177.8)           | 11.29 (286.7)       | 95        |
| 15HLE-PNM-D                         | 16.25 (412.7) | 6 (152.4) | 25 (635)            | 0.62 (15.7)     | 1.75 (44.4)       | 7 (177.8)           | 11.29 (286.7)       | 95        |
| <b>Non-disconnect double barrel</b> |               |           |                     |                 |                   |                     |                     |           |
| 15CLE-PNM-E                         | 21.15 (539.7) | 6 (152.4) | 31 (787.4)          | 0.62 (15.7)     | 1.75 (44.4)       | 8.5 (215.9)         | 14.98 (380.5)       | 95        |
| 15HLE-GNM-E                         | 16.25 (412.7) | 6 (152.4) | 25 (635)            | 0.62 (15.7)     | 1.75 (44.4)       | 7 (177.8)           | 14.98 (380.5)       | 95        |
| 15HLE-PNM-E                         | 16.25 (412.7) | 6 (152.4) | 25 (635)            | 0.62 (15.7)     | 1.75 (44.4)       | 7 (177.8)           | 14.98 (380.5)       | 95        |

**CLE and HLE type disconnect mounting†**



**CLE and HLE type non-disconnect mounting**



† Disconnect mountings provide a means for fuse extraction only. Do not use a disconnect mounting for load switching or fuse removal while energized.

**E-Rated medium voltage specialty mount fuses**

**Catalog symbols:**

- 15BHLE\_E (bolt-on version)
- 15HCL\_E (clip-lock version)

**Ratings\*:**

- Volts
  - 15.5kV
- Amps
  - 10 to 300A
- Interrupting ratings
  - 50 to 63kA RMS Sym

\* See catalog number tables for voltages, ampacities and interrupting ratings by catalog number.

**Agency information:**

- E-Rated fuses meet the performance characteristics of ANSI C37.46

**Recommended live parts for clip-lock fuses**

- Catalog number HCL-NL-1

HCL



**Dimensions - in (mm)**

BHLE



**BHCL, BHLE and HCL Type fuses**

| Amp rating                   | Dimensions - in (mm) |            |                | Interrupting rating kA (RMS Sym.) | Number of barrels | Installation location | Catalog number |
|------------------------------|----------------------|------------|----------------|-----------------------------------|-------------------|-----------------------|----------------|
|                              | Length A             | Diameter B | Hole centers C |                                   |                   |                       |                |
| <b>BHCL and BHLE bolt-on</b> |                      |            |                |                                   |                   |                       |                |
| 10                           | 22.2 (563)           | 3 (76)     | 20.9 (531)     | 63                                | 1                 | Indoor/outdoor        | 15BHLE-10E     |
| 15                           | 22.2 (563)           | 3 (76)     | 20.9 (531)     | 63                                | 1                 | Indoor/outdoor        | 15BHLE-15E     |
| 20                           | 22.2 (563)           | 3 (76)     | 20.9 (531)     | 63                                | 1                 | Indoor/outdoor        | 15BHLE-20E     |
| 25                           | 22.2 (563)           | 3 (76)     | 20.9 (531)     | 63                                | 1                 | Indoor/outdoor        | 15BHLE-25E     |
| 30                           | 22.2 (563)           | 3 (76)     | 20.9 (531)     | 63                                | 1                 | Indoor/outdoor        | 15BHLE-30E     |
| 40                           | 22.2 (563)           | 3 (76)     | 20.9 (531)     | 63                                | 1                 | Indoor/outdoor        | 15BHLE-40E†    |
| 50                           | 22.2 (563)           | 3 (76)     | 20.9 (531)     | 63                                | 1                 | Indoor/outdoor        | 15BHLE-50E†    |
| 65                           | 22.2 (563)           | 3 (76)     | 20.9 (531)     | 63                                | 1                 | Indoor/outdoor        | 15BHLE-65E†    |
| 80                           | 22.2 (563)           | 3 (76)     | 20.9 (531)     | 63                                | 1                 | Indoor/outdoor        | 15BHLE-80E†    |
| 100                          | 22.2 (563)           | 3 (76)     | 20.9 (531)     | 63                                | 1                 | Indoor/outdoor        | 15BHLE-100E†   |
| 125                          | 22.2 (563)           | 3 (76)     | 20.9 (531)     | 63                                | 1                 | Indoor/outdoor        | 15BHLE-125E†   |
| 150                          | 22.2 (563)           | 3 (76)     | 20.9 (531)     | 63                                | 2                 | Indoor/outdoor        | 15BHLE-150E†   |
| 175                          | 22.2 (563)           | 3 (76)     | 20.9 (531)     | 63                                | 2                 | Indoor/outdoor        | 15BHLE-175E†   |
| 200                          | 22.2 (563)           | 3 (76)     | 20.9 (531)     | 63                                | 2                 | Indoor/outdoor        | 15BHLE-200E†   |
| 250                          | 22.2 (563)           | 3 (76)     | 20.9 (531)     | 63                                | 2                 | Indoor/outdoor        | 15BHLE-250E†   |
| 300                          | 25.1 (637)           | 3 (76)     | 23.7 (602)     | 50                                | 2                 | Indoor                | 15BHCL-300E    |
| 400                          | 25.1 (637)           | 3 (76)     | 23.7 (602)     | 50                                | 3                 | Indoor                | 15BHCL-400E    |
| <b>HCL clip-lock</b>         |                      |            |                |                                   |                   |                       |                |
| 10                           | 22.8 (579)           | 3 (76)     | N/A            | 63                                | 1                 | Indoor                | 15HCL-10E      |
| 15                           | 22.8 (579)           | 3 (76)     | N/A            | 63                                | 1                 | Indoor                | 15HCL-15E      |
| 20                           | 22.8 (579)           | 3 (76)     | N/A            | 63                                | 1                 | Indoor                | 15HCL-20E      |
| 25                           | 22.8 (579)           | 3 (76)     | N/A            | 63                                | 1                 | Indoor                | 15HCL-25E      |
| 30                           | 22.8 (579)           | 3 (76)     | N/A            | 63                                | 1                 | Indoor                | 15HCL-30E      |
| 40                           | 22.8 (579)           | 3 (76)     | N/A            | 63                                | 1                 | Indoor                | 15HCL-40E†     |
| 50                           | 22.8 (579)           | 3 (76)     | N/A            | 63                                | 1                 | Indoor                | 15HCL-50E†     |
| 65                           | 22.8 (579)           | 3 (76)     | N/A            | 50                                | 1                 | Indoor                | 15HCL-65E†     |
| 80                           | 22.8 (579)           | 3 (76)     | N/A            | 50                                | 1                 | Indoor                | 15HCL-80E†     |
| 100                          | 22.8 (579)           | 3 (76)     | N/A            | 50                                | 1                 | Indoor                | 15HCL-100E†    |
| 125                          | 22.8 (579)           | 3 (76)     | N/A            | 50                                | 1                 | Indoor                | 15HCL-125E†    |
| 150                          | 22.8 (579)           | 3 (76)     | N/A            | 50                                | 2                 | Indoor                | 15HCL-150E†    |
| 200                          | 22.8 (579)           | 3 (76)     | N/A            | 50                                | 2                 | Indoor                | 15HCL-200E†    |
| 250                          | 22.8 (579)           | 3 (76)     | N/A            | 50                                | 2                 | Indoor                | 15HCL-250E†    |
| 300                          | 22.8 (579)           | 3 (76)     | N/A            | 50                                | 2                 | Indoor                | 15HCL-300E†    |

† UL Listed, Guide JEEG, File E240398.

15.5kV time-current curves — minimum melt for 15CLE-\_E and 15CLE\_-\_D



15CLE-\_

|                    |                    |                    |
|--------------------|--------------------|--------------------|
| Curve 70548501     | Curve 70546801     | Curve 70547001     |
| April 16, 1999     | April 1999         | April 1999         |
| Reference # 563532 | Reference # 705468 | Reference # 705470 |



15.5kV time-current curves — total clear for 15CLE-\_E and 15CLE\_-\_D



15CLE-\_

|                    |                    |                    |
|--------------------|--------------------|--------------------|
| Curve 70548601     | Curve 70546901     | Curve 70547101     |
| April 16, 1999     | April 1999         | April 1999         |
| Reference # 563533 | Reference # 705469 | Reference # 705471 |

15.5kV peak let-through for 15CLE-\_E and 15CLE-\_D



15CLE-\_

Curve 70548802  
 September 1999  
 Reference # 705488

Curve 70547501  
 September 1999  
 Reference # 705475

15.5kV time-current curves – minimum melt for 15HLE-\_E and 15BHLE-\_E



15HLE-\_, 15BHLE-\_

Curve 70548507  
April 16, 1999  
Reference # 563532

Curve 70546601  
April 1999  
Reference # 705466



15.5kV peak let-through for 15HLE-\_E and 15BHLE-\_E



15HLE-\_, 15BHLE-\_

Curve 70548805      Curve 70547401  
September 1999      September 1999  
Reference # 705488      Reference # 705474

15.5kV time-current curves – minimum melt for 15HCL\_E



15HCL\_

Curve 70548503 January 2001    Curve 66703201 January 2001

15.5kV time-current curves — total clear for 15HCL\_E



15HCL\_

Curve 70548603  
January 2001

Curve 66703301  
January 2001

15.5kV peak let-through for 15HCL\_E



15HCL\_

Curve 70548803 January 2001  
 Curve 70547402 January 2001



The only controlled copy of this data sheet is the electronic read-only version located on the Eaton network drive. All other copies of this document are by definition uncontrolled. This bulletin is intended to clearly present comprehensive product data and provide technical information that will help the end user with design applications. Eaton reserves the right, without notice, to change design or construction of any products and to discontinue or limit distribution of any products. Eaton also reserves the right to change or update, without notice, any technical information contained in this bulletin. Once a product has been selected, it should be tested by the user in all possible applications.

**Eaton**  
1000 Eaton Boulevard  
Cleveland, OH 44122  
United States  
Eaton.com

Bussmann Division  
114 Old State Road  
Ellisville, MO 63021  
United States  
Eaton.com/bussmannseries

© 2015 Eaton  
All Rights Reserved  
Printed in USA  
Publication No. 10353 – BU-SB15153  
December 2015

Eaton, Bussmann, AMPGARD are valuable trademarks of Eaton in the US and other countries. You are not permitted to use the Eaton trademarks without prior written consent of Eaton.

UL is a registered trademark of the Underwriters Laboratories, Inc.

For Eaton's Bussmann series  
product information,  
call **1-855-287-7626** or visit:  
**Eaton.com/bussmannseries**

Follow us on social media to get the latest product and support information.



Компания «Океан Электроники» предлагает заключение долгосрочных отношений при поставках импортных электронных компонентов на взаимовыгодных условиях!

Наши преимущества:

- Поставка оригинальных импортных электронных компонентов напрямую с производств Америки, Европы и Азии, а так же с крупнейших складов мира;
- Широкая линейка поставок активных и пассивных импортных электронных компонентов (более 30 млн. наименований);
- Поставка сложных, дефицитных, либо снятых с производства позиций;
- Оперативные сроки поставки под заказ (от 5 рабочих дней);
- Экспресс доставка в любую точку России;
- Помощь Конструкторского Отдела и консультации квалифицированных инженеров;
- Техническая поддержка проекта, помощь в подборе аналогов, поставка прототипов;
- Поставка электронных компонентов под контролем ВП;
- Система менеджмента качества сертифицирована по Международному стандарту ISO 9001;
- При необходимости вся продукция военного и аэрокосмического назначения проходит испытания и сертификацию в лаборатории (по согласованию с заказчиком);
- Поставка специализированных компонентов военного и аэрокосмического уровня качества (Xilinx, Altera, Analog Devices, Intersil, Interpoint, Microsemi, Actel, Aeroflex, Peregrine, VPT, Syfer, Eurofarad, Texas Instruments, MS Kennedy, Miteq, Cobham, E2V, MA-COM, Hittite, Mini-Circuits, General Dynamics и др.);

Компания «Океан Электроники» является официальным дистрибьютором и эксклюзивным представителем в России одного из крупнейших производителей разъемов военного и аэрокосмического назначения «JONHON», а так же официальным дистрибьютором и эксклюзивным представителем в России производителя высокотехнологичных и надежных решений для передачи СВЧ сигналов «FORSTAR».



## JONHON

«JONHON» (основан в 1970 г.)

Разъемы специального, военного и аэрокосмического назначения:

(Применяются в военной, авиационной, аэрокосмической, морской, железнодорожной, горно- и нефтедобывающей отраслях промышленности)

«FORSTAR» (основан в 1998 г.)

ВЧ соединители, коаксиальные кабели, кабельные сборки и микроволновые компоненты:

(Применяются в телекоммуникациях гражданского и специального назначения, в средствах связи, РЛС, а так же военной, авиационной и аэрокосмической отраслях промышленности).



Телефон: 8 (812) 309-75-97 (многоканальный)

Факс: 8 (812) 320-03-32

Электронная почта: [ocean@oceanchips.ru](mailto:ocean@oceanchips.ru)

Web: <http://oceanchips.ru/>

Адрес: 198099, г. Санкт-Петербург, ул. Калинина, д. 2, корп. 4, лит. А