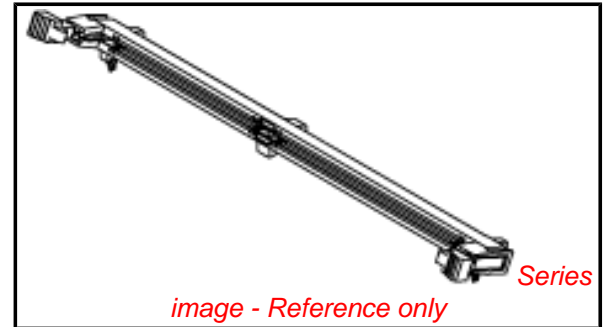


**PLEASE CHECK WWW.MOLEX.COM FOR LATEST PART INFORMATION**

**Part Number:** [0876232012](#)  
**Status:** **Active**  
**Description:** 1.27mm (.050") Pitch DDR DIMM Socket, Low Profile (25°), Single Key, with Beveled Metal Pins and Plastic Pegs, 3.18mm (.125") Tail Length, with 3.18mm (.125") Locating Pegs, 0.38µm (15µ") Gold (Au) Plating, 184 Circuits, Leadfree

**Documents:**

[3D Model](#) [Product Specification PS-87623-002 \(PDF\)](#)  
[Drawing \(PDF\)](#) [RoHS Certificate of Compliance \(PDF\)](#)



**General**

|                |                       |
|----------------|-----------------------|
| Product Family | Memory Module Sockets |
| Series         | <a href="#">87623</a> |
| Component Type | Memory Module         |
| JEDEC Outline  | MO-206                |
| Product Name   | DDR DIMM              |

**Physical**

|                                |                                |
|--------------------------------|--------------------------------|
| Circuits (Loaded)              | 184                            |
| Color - Resin                  | Black, Natural                 |
| Durability (mating cycles max) | 25                             |
| Entry Angle                    | 25° Angle                      |
| Keying to Mating Part          | Yes                            |
| Material - Metal               | Brass, Phosphor Bronze         |
| Material - Plating Mating      | Gold                           |
| Material - Plating Termination | Tin                            |
| Material - Resin               | High Temperature Thermoplastic |
| PC Tail Length (in)            | 0.125 In                       |
| PC Tail Length (mm)            | 3.18 mm                        |
| PCB Locator                    | Yes                            |
| PCB Retention                  | Yes                            |
| PCB Thickness Recommended (in) | 0.062 In                       |
| PCB Thickness Recommended (mm) | 1.60 mm                        |
| Packaging Type                 | Tray                           |
| Pitch - Mating Interface (in)  | 0.050 In                       |
| Pitch - Mating Interface (mm)  | 1.27 mm                        |
| Plating min: Mating (µin)      | 15.2                           |
| Plating min: Mating (µm)       | 0.38                           |
| Plating min: Termination (µin) | 101.6                          |
| Plating min: Termination (µm)  | 2.54                           |
| Temperature Range - Operating  | -40°C to +85°C                 |
| Termination Interface: Style   | Through Hole                   |

**Electrical**

|                               |            |
|-------------------------------|------------|
| Current - Maximum per Contact | 1A         |
| Voltage - Maximum             | 50V        |
| Voltage Key                   | 2.5V, Left |

**Solder Process Data**

|  |                              |
|--|------------------------------|
| Duration at Max. Process Temperature (seconds) | 10                           |
| Lead-free Process Capability                   | SMC & Wave Capable (TH only) |
| Max. Cycles at Max. Process Temperature        | 2                            |
| Process Temperature max. C                     | 260                          |

**Material Info**

**Reference - Drawing Numbers**

**EU RoHS**

**ELV and RoHS  
Compliant**

**REACH SVHC**

Not Reviewed

**Halogen-Free**

**Status**

**Not Halogen-Free**

**China RoHS**



**Need more information on product  
environmental compliance?**

Email [productcompliance@molex.com](mailto:productcompliance@molex.com)  
 For a multiple part number RoHS Certificate of Compliance, [click here](#)

Please visit the [Contact Us](#) section for any non-product compliance questions.

**Search Parts in this Series**

[87623Series](#)

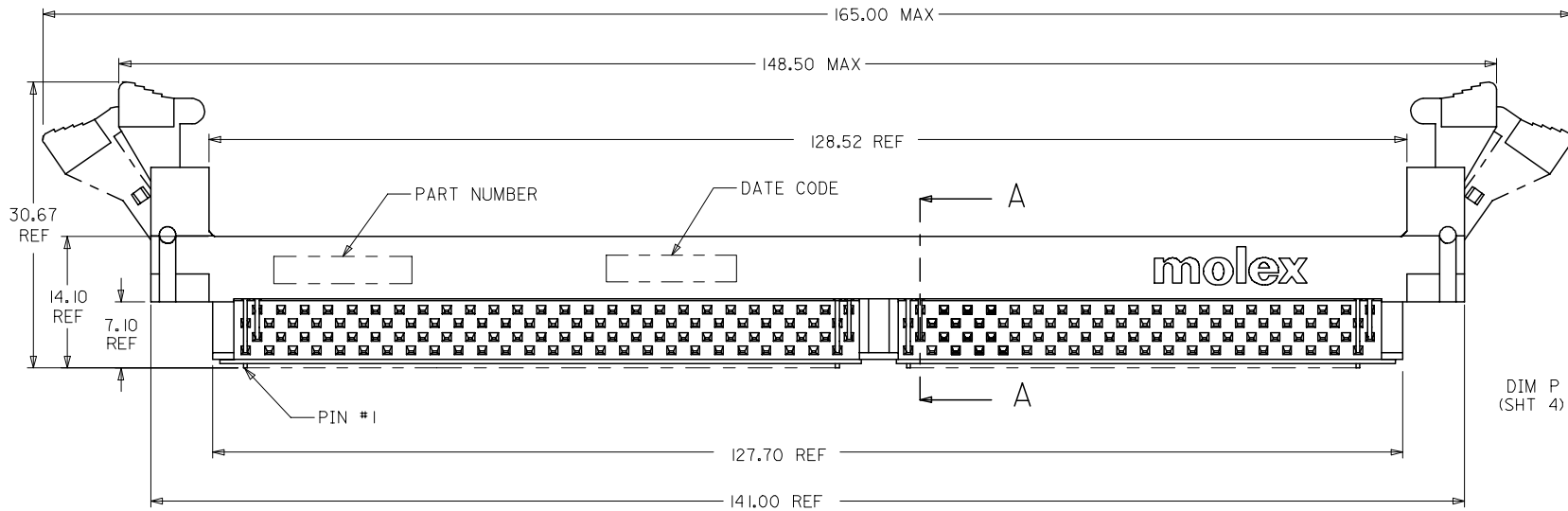
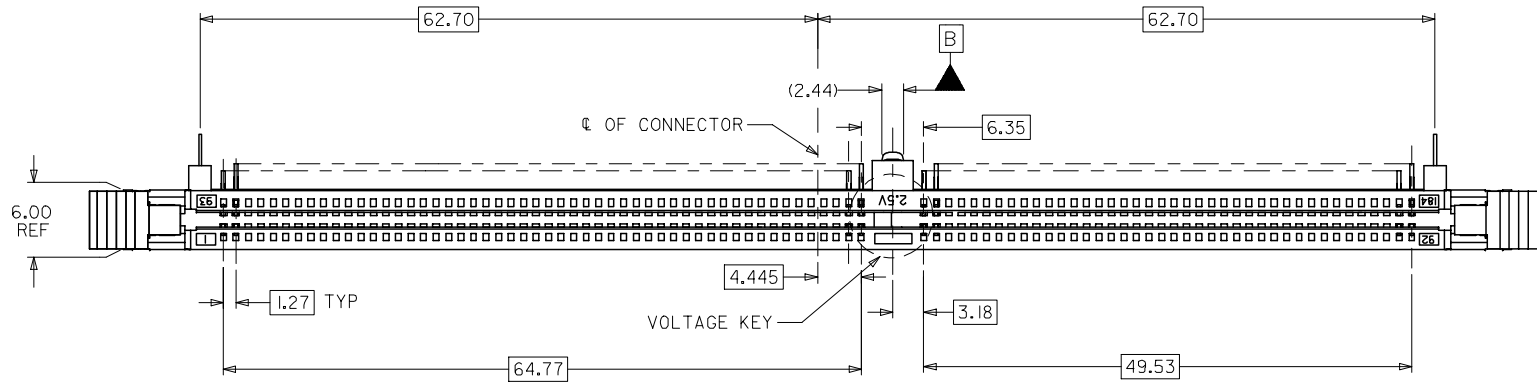
**Mates With**

JEDEC MO-206 modules

This document was generated on 04/09/2010

**PLEASE CHECK [WWW.MOLEX.COM](http://WWW.MOLEX.COM) FOR LATEST PART INFORMATION**

10 9 8 7 6 5 4 3 2 1



- NOTES:
- MATERIALS: HOUSING & BASEPLATE - LCP, GLASS FILLED, UL 94V-0, COLOR: BLACK  
LATCH - HIGH TEMP NYLON, GLASS FILLED, UL 94V-0, COLOR: BEIGE  
TERMINAL AND FORKLOCK - COPPER ALLOY
  - FINISHES: CONTACT AREA: SEE TABLE ON SHEET 4  
SOLDER TAILS: 2.54µm/100µ" MIN. TIN  
OVER 1.27mm/50µ" MIN. NICKEL
  - PRODUCT SPECIFICATIONS: PS-87623-002 FOR PERFORMANCE SPECIFICATIONS.
  - DATE CODE SHALL BE MARKED LEGIBLY AS SHOWN: XX XX  
YEAR — WEEK
  - PART NUMBER SHALL BE MARKED LEGIBLY AS SHOWN: 87623-0XXX  
REFER TO TABLE

|                  |                   |            |                 |
|------------------|-------------------|------------|-----------------|
| OBS TIN/LEAD P/N | EC NO: S2006-0734 | 2006/02/27 | QUALITY SYMBOLS |
|                  | DRWN:MLG          | 2006/02/28 |                 |
|                  | CHKD:HO           | 2006/03/01 |                 |
|                  | APPR:GJLEE        |            |                 |
| REV              | DESCRIPTION       |            |                 |

|  |  |       |
|--|--|-------|
| DRAFT WHERE APPLICABLE<br>MUST REMAIN<br>WITHIN DIMENSIONS | GENERAL TOLERANCES<br>(UNLESS SPECIFIED) |       |
|  | mm                                       | INCH  |
|  | 4 PLACES ± ---                           | ± --- |
|  | 3 PLACES ± ---                           | ± --- |
|  | 2 PLACES ± 0.25                          | ± --- |
| 1 PLACE ± ---  | ± ---                                    |       |
|  | ANGULAR ± 5 °                            |       |

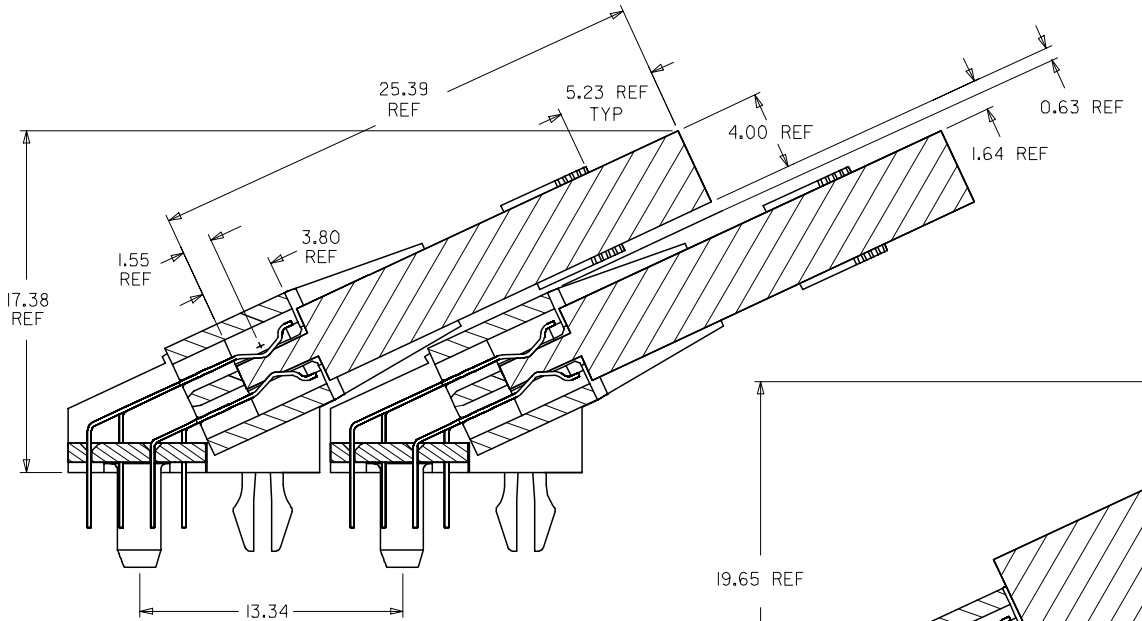
|                            |            |
|----------------------------|------------|
| DIMENSION STYLE<br>MM ONLY |            |
| DRAWN BY                   | DATE       |
| LPL IM                     | 2000/01/10 |
| CHECKED BY                 | DATE       |
| DSOH                       | 2000/02/02 |
| APPROVED BY                | DATE       |
| SKTOH                      | 2000/02/02 |
| MATERIAL NO.               |            |
| SEE TABLE                  |            |
| SIZE                       |            |
| A3                         |            |

|   |              |                        |
|---|--------------|------------------------|
| SCALE                                       | DESIGN UNITS | THIRD ANGLE PROJECTION |
| NTS   | METRIC       |                        |
| TITLE                                       |              |                        |
| DDR DIMM, 1.27MM PITCH<br>184 CKTS, 25 DEG. |              |                        |
| MOLEX INCORPORATED                          |              |                        |
| DOCUMENT NO.                                | SHEET NO.    |                        |
| SD-87623-001                                | 1 OF 4       |                        |

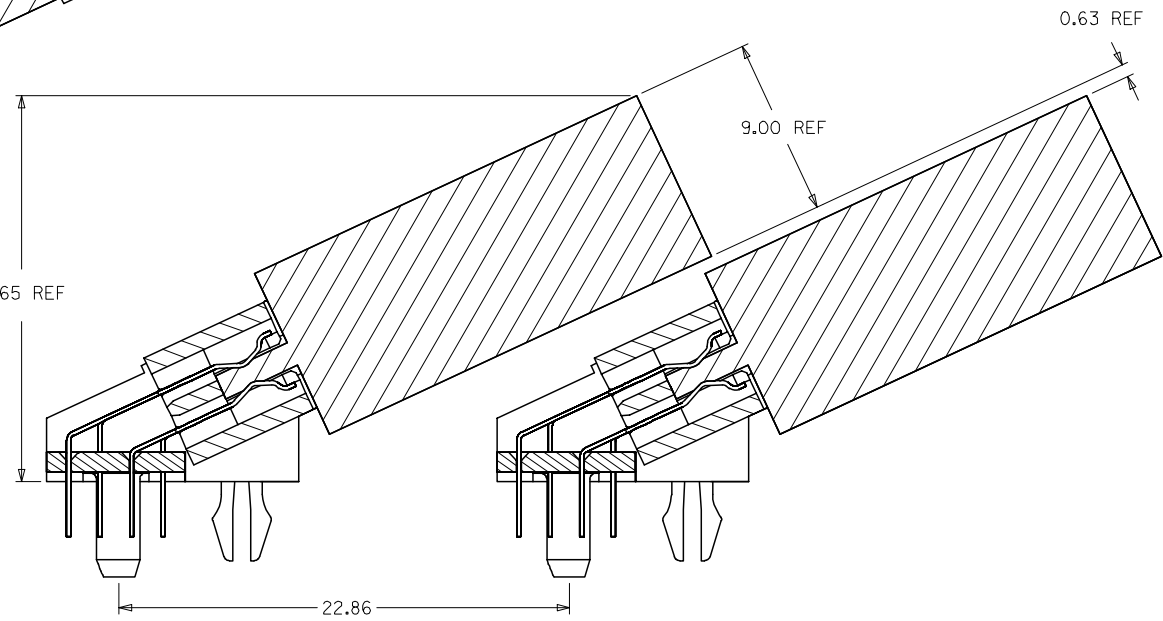
9 8 7 6 5 4 3 2 1

10 9 8 7 6 5 4 3 2 1

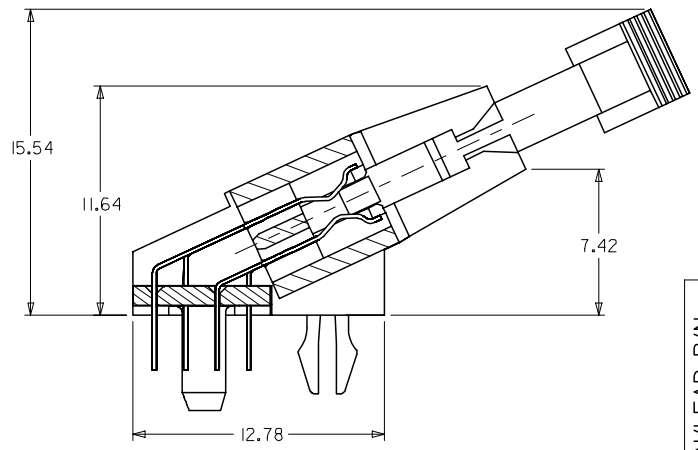
F  
E  
D  
C  
B  
A



MINIMUM RECOMMENDED ROW TO ROW SPACING  
WHEN USING A 4.00 mm THICK  
MODULE (TYPICAL TSOP PACKAGING)



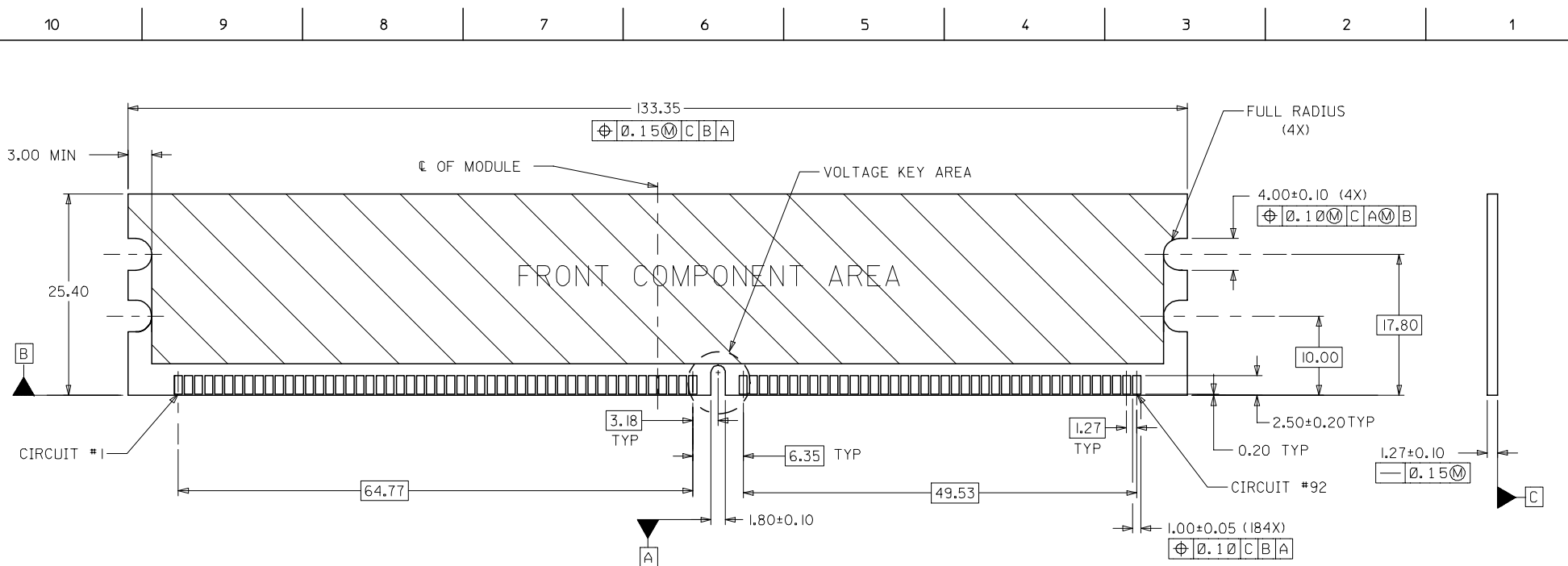
MINIMUM RECOMMENDED ROW TO ROW SPACING  
WHEN USING A 9.00 mm THICK  
MODULE (TYPICAL SOJ PACKAGING)



SECTION A-A

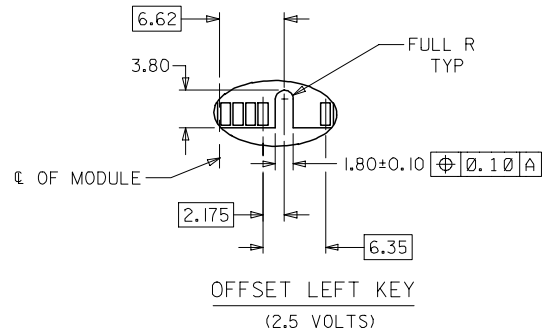
|   |            |   |                                       |  |                            |                      |                    |  |                        |                              |
|---|------------|---|---------------------------------------|--|----------------------------|----------------------|--------------------|--|------------------------|------------------------------|
| OBS TIN/LEAD P/N<br>EC NO: S2006-0734<br>DRWN:MLONG<br>CHKD:IHO<br>APPR:GJLEE | 2006/02/27 | QUALITY SYMBOLS<br>▽=0<br>∇=0   | GENERAL TOLERANCES (UNLESS SPECIFIED) |  | DIMENSION STYLE<br>MM ONLY |                      | SCALE<br>NTS       | DESIGN UNITS<br>METRIC                               | THIRD ANGLE PROJECTION |                              |
|   | 2006/02/28 |   | 4 PLACES ± ---                        | mm   | INCH                       | DRAWN BY<br>LPL IM   | DATE<br>2000/01/10 | TITLE<br>DDR DIMM, 1.27MM PITCH<br>184 CKTS, 25 DEG. |                        |                              |
|   | 2006/03/01 |   | 3 PLACES ± ---                        | ANGULAR ± 5 °  |                            | CHECKED BY<br>DSOH   | DATE<br>2000/02/02 | APPROVED BY<br>SKTOH                                 |                        |                              |
|   | 2006/03/01 |   | 2 PLACES ± 0.25                       | DRAFT WHERE APPLICABLE<br>MUST REMAIN<br>WITHIN DIMENSIONS |                            | APPROVED BY<br>SKTOH | DATE<br>2000/02/02 | MATERIAL NO.<br>SEE TABLE                            |                        | DOCUMENT NO.<br>SD-87623-001 |
| MATERIAL NO.<br>A3  |            | THIS DRAWING CONTAINS INFORMATION THAT IS PROPRIETARY TO MOLEX INCORPORATED AND SHOULD NOT BE USED WITHOUT WRITTEN PERMISSION |                                       | MOLEX INCORPORATED   |                            |                      |                    |  |                        |                              |

9 8 7 6 5 4 3 2 1



RECOMMENDED MODULE LAYOUT  
 (PER JEDEC STANDARD MO-206, 184 CKT.)  
 UNLESS OTHERWISE SPECIFIED, GENERAL TOLERANCE FOR MODULE = ±0.13

VOLTAGE KEY AREA



|                   |             |
|-------------------|-------------|
| OBS TIN/LEAD P/N  | 2006/02/27  |
| EC NO: S2006-0734 | 2006/02/28  |
| DRWN:MLONG        | 2006/03/01  |
| CHKD:HO           |             |
| APPR:GGLLEE       |             |
| REV               | DESCRIPTION |

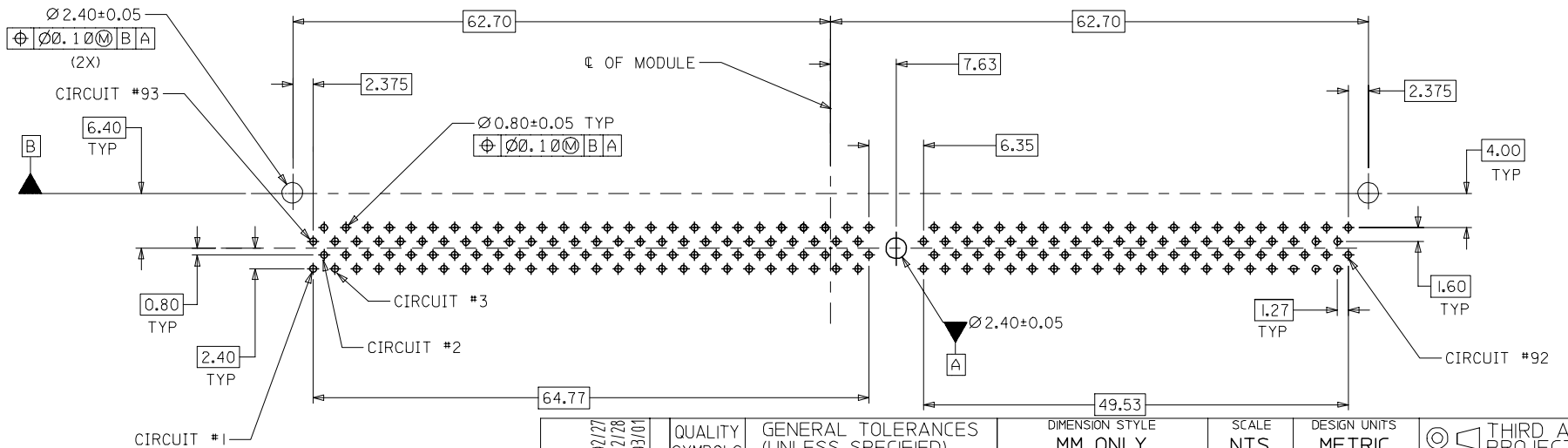
|                 |     |
|-----------------|-----|
| QUALITY SYMBOLS | ▽=0 |
|                 | ∇=0 |

|  |                 |       |
|--|-----------------|-------|
| GENERAL TOLERANCES (UNLESS SPECIFIED)                | mm              | INCH  |
|  | 4 PLACES ± ---  | ± --- |
|  | 3 PLACES ± ---  | ± --- |
|  | 2 PLACES ± 0.25 | ± --- |
|  | 1 PLACE ± ---   | ± --- |
|  | ANGULAR ± 5 °   |       |
| DRAFT WHERE APPLICABLE MUST REMAIN WITHIN DIMENSIONS |                 |       |

|                 |              |                        |              |                        |
|-----------------|--------------|------------------------|--------------|------------------------|
| DIMENSION STYLE |              | SCALE                  | DESIGN UNITS | THIRD ANGLE PROJECTION |
| MM ONLY         |              | NTS                    | METRIC       |                        |
| DRAWN BY        | DATE         | TITLE                  |              |                        |
| LPL IM          | 2000/01/10   | DDR DIMM, 1.27MM PITCH |              |                        |
| CHECKED BY      | DATE         | 184 CKTS, 25 DEG.      |              |                        |
| DSOH            | 2000/02/02   |                        |              |                        |
| APPROVED BY     | DATE         |                        |              |                        |
| SKTOH           | 2000/02/02   |                        |              |                        |
| MATERIAL NO.    | DOCUMENT NO. |                        |              |                        |
|                 | SD-87623-001 |                        |              |                        |
| SIZE            | SEE TABLE    |                        |              |                        |
| A3              |              |                        |              |                        |

|   |  |           |
|---|--|-----------|
| MOLEX INCORPORATED  |  | SHEET NO. |
|   |  | 3 OF 4    |
| THIS DRAWING CONTAINS INFORMATION THAT IS PROPRIETARY TO MOLEX INCORPORATED AND SHOULD NOT BE USED WITHOUT WRITTEN PERMISSION |  |           |

| PART NUMBER | VOLTAGE KEY | CKT SIZE | TAIL LENGTH<br>P±0.25 | PEG LENGTH<br>0±0.25 | FORK LENGTH<br>R±0.25 | RECOMMENDED<br>PCB THICKNESS | FINISHES:<br>CONTACT AREA  |
|-------------|-------------|----------|-----------------------|----------------------|-----------------------|------------------------------|--|
| 87623-2001  | LEFT (2.5V) | 184      | 2.79                  | 3.18                 | 3.18                  | 1.57                         | SELECTIVE GOLD<br>0.38µM/15µ" MIN. GOLD<br>OVER 1.27µM/50µ" MIN.<br>NICKEL |
| 87623-2011  |             |          | 3.18                  | 4.83                 | 3.94                  |                              |  |
| 87623-2012  |             |          | 3.18                  | 3.18                 | 3.18                  |                              |  |
| 87623-2013  |             |          | 3.81                  | 4.83                 | 4.42                  | 2.84                         |  |
| 87623-2101  |             |          | 2.79                  | 3.18                 | 3.18                  | 1.57                         |  |
| 87623-2111  |             |          | 3.18                  | 4.83                 | 3.94                  |                              |  |
| 87623-2113  |             |          | 3.81                  | 4.83                 | 4.42                  |                              |  |
| 87623-2115  |             |          | 3.18                  | 3.18                 | 3.18                  | 1.57                         | SELECTIVE GOLD<br>0.76µM/30µ" MIN. GOLD<br>OVER 1.27µM/50µ" MIN.<br>NICKEL |



RECOMMENDED  
P.C. BOARD HOLE PATTERN  
(CONNECTOR SIDE)

OBS TIN/LEAD P/N  
EC NO: S2006-0734  
DRWN:HLONG  
CHKD:JHO  
APPR:GJLEE

QUALITY SYMBOLS  
▽=0  
△=0

GENERAL TOLERANCES (UNLESS SPECIFIED)

|               | mm     | INCH  |
|---------------|--------|-------|
| 4 PLACES      | ± ---  | ± --- |
| 3 PLACES      | ± ---  | ± --- |
| 2 PLACES      | ± 0.25 | ± --- |
| 1 PLACE       | ± ---  | ± --- |
| ANGULAR ± 5 ° |        |       |

DRAFT WHERE APPLICABLE  
MUST REMAIN  
WITHIN DIMENSIONS

DIMENSION STYLE  
MM ONLY

| DRAWN BY    | DATE       |
|-------------|------------|
| LPL IM      | 2000/01/10 |
| CHECKED BY  | DATE       |
| DSOH        | 2000/02/02 |
| APPROVED BY | DATE       |
| SKTOH       | 2000/02/02 |

MATERIAL NO. SEE TABLE

SCALE NTS  
DESIGN UNITS METRIC  
THIRD ANGLE PROJECTION

TITLE  
DDR DIMM, 1.27MM PITCH  
184 CKTS, 25 DEG.

MOLEX MOLEX INCORPORATED

DOCUMENT NO. SD-87623-001  
SHEET NO. 4 OF 4

THIS DRAWING CONTAINS INFORMATION THAT IS PROPRIETARY TO MOLEX INCORPORATED AND SHOULD NOT BE USED WITHOUT WRITTEN PERMISSION

Компания «Океан Электроники» предлагает заключение долгосрочных отношений при поставках импортных электронных компонентов на взаимовыгодных условиях!

Наши преимущества:

- Поставка оригинальных импортных электронных компонентов напрямую с производств Америки, Европы и Азии, а так же с крупнейших складов мира;
- Широкая линейка поставок активных и пассивных импортных электронных компонентов (более 30 млн. наименований);
- Поставка сложных, дефицитных, либо снятых с производства позиций;
- Оперативные сроки поставки под заказ (от 5 рабочих дней);
- Экспресс доставка в любую точку России;
- Помощь Конструкторского Отдела и консультации квалифицированных инженеров;
- Техническая поддержка проекта, помощь в подборе аналогов, поставка прототипов;
- Поставка электронных компонентов под контролем ВП;
- Система менеджмента качества сертифицирована по Международному стандарту ISO 9001;
- При необходимости вся продукция военного и аэрокосмического назначения проходит испытания и сертификацию в лаборатории (по согласованию с заказчиком);
- Поставка специализированных компонентов военного и аэрокосмического уровня качества (Xilinx, Altera, Analog Devices, Intersil, Interpoint, Microsemi, Actel, Aeroflex, Peregrine, VPT, Syfer, Eurofarad, Texas Instruments, MS Kennedy, Miteq, Cobham, E2V, MA-COM, Hittite, Mini-Circuits, General Dynamics и др.);

Компания «Океан Электроники» является официальным дистрибьютором и эксклюзивным представителем в России одного из крупнейших производителей разъемов военного и аэрокосмического назначения «**JONHON**», а так же официальным дистрибьютором и эксклюзивным представителем в России производителя высокотехнологичных и надежных решений для передачи СВЧ сигналов «**FORSTAR**».



## JONHON

«**JONHON**» (основан в 1970 г.)

Разъемы специального, военного и аэрокосмического назначения:

(Применяются в военной, авиационной, аэрокосмической, морской, железнодорожной, горно- и нефтедобывающей отраслях промышленности)

«**FORSTAR**» (основан в 1998 г.)

ВЧ соединители, коаксиальные кабели,  
кабельные сборки и микроволновые компоненты:

(Применяются в телекоммуникациях гражданского и специального назначения, в средствах связи, РЛС, а так же военной, авиационной и аэрокосмической отраслях промышленности).



Телефон: 8 (812) 309-75-97 (многоканальный)

Факс: 8 (812) 320-03-32

Электронная почта: [ocean@oceanchips.ru](mailto:ocean@oceanchips.ru)

Web: <http://oceanchips.ru/>

Адрес: 198099, г. Санкт-Петербург, ул. Калинина, д. 2, корп. 4, лит. А