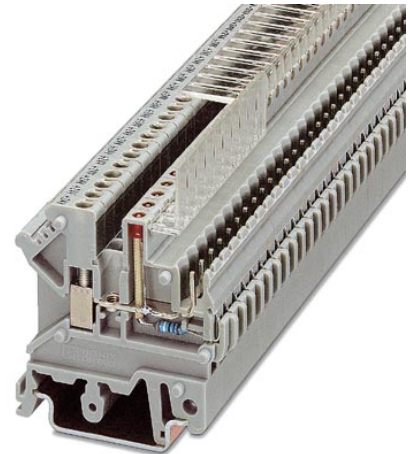


UK 3-MVSTB-5,08

Order No.: 3002076

The illustration shows the article UK 3-MVSTB-5,08-LA 24RD

<http://eshop.phoenixcontact.de/phoenix/treeViewClick.do?UID=3002076>

Feed-through modular terminal block, Nominal current: 12 A, Nominal voltage: 250 V, Cross section: 0.2 mm² - 4 mm², AWG: 24 - 12, Mounting type: NS 32, NS 35/15, NS 35/7,5, Pitch: 5.08 mm, Width: 5.1, Color: gray

Commercial data

| | |
|--------------------------|--------------------|
| EAN | 4017918090081 |
| Pack | 50 pcs. |
| Customs tariff | 85369010 |
| Weight/Piece | 0.007364 KG |
| Catalog page information | Page 323 (CL-2005) |

Product notes

WEEE/RoHS-compliant since:
01/01/2003



<http://www.download.phoenixcontact.com>
Please note that the data given here has been taken from the online catalog. For comprehensive information and data, please refer to the user documentation. The General Terms and Conditions of Use apply to Internet downloads.

Technical data

General

| | |
|-----------------------|---|
| Number of levels | 1 |
| Number of connections | 2 |

| | |
|------------------------------------|------|
| Color | gray |
| Insulating material | PA |
| Inflammability class acc. to UL 94 | V2 |

Technical data

| | |
|--------------------------------|---|
| Maximum load current | 12 A (with 4 mm ² conductor cross section) |
| Rated surge voltage | 4 kV |
| Pollution degree | 3 |
| Surge voltage category | III |
| Insulating material group | I |
| Nominal current I _N | 12 A |
| Nominal voltage U _N | 250 V |

Connection data

| | |
|---|---------------------------|
| Connection labeling | 1st level connection left |
| Conductor cross section solid min. | 0.2 mm ² |
| Conductor cross section solid max. | 4 mm ² |
| Conductor cross section stranded min. | 0.2 mm ² |
| Conductor cross section stranded max. | 2.5 mm ² |
| Conductor cross section AWG/kcmil min. | 24 |
| Conductor cross section AWG/kcmil max | 12 |
| Conductor cross section stranded, with ferrule without plastic sleeve min. | 0.25 mm ² |
| Conductor cross section stranded, with ferrule without plastic sleeve max. | 2.5 mm ² |
| Conductor cross section stranded, with ferrule with plastic sleeve min. | 0.25 mm ² |
| Conductor cross section stranded, with ferrule with plastic sleeve max. | 1.5 mm ² |
| 2 conductors with same cross section, solid min. | 0.2 mm ² |
| 2 conductors with same cross section, solid max. | 1.5 mm ² |
| 2 conductors with same cross section, stranded min. | 0.2 mm ² |
| 2 conductors with same cross section, stranded max. | 1 mm ² |
| 2 conductors with same cross section, stranded, ferrules without plastic sleeve, min. | 0.25 mm ² |
| 2 conductors with same cross section, stranded, ferrules without plastic sleeve, max. | 0.5 mm ² |

| | |
|---|-------------------------------|
| 2 conductors with same cross section, stranded, TWIN ferrules with plastic sleeve, min. | 0.5 mm ² |
| 2 conductors with same cross section, stranded, TWIN ferrules with plastic sleeve, max. | 1 mm ² |
| Type of connection | Special and hybrid connection |
| Stripping length | 8 mm |
| Internal cylindrical gage | A3 |
| Screw thread | M3 |
| Tightening torque, min | 0.5 Nm |
| Tightening torque max | 0.6 Nm |

Certificates / Approvals



Certification

CB, CUL, GOST, UL, VDE-PZI

CUL

| | |
|-----------------------|-------|
| Nominal voltage U_N | 300 V |
| Nominal current I_N | 20 A |
| AWG/kcmil | 30-12 |

UL

| | |
|-----------------------|-------|
| Nominal voltage U_N | 300 V |
| Nominal current I_N | 20 A |
| AWG/kcmil | 30-12 |

Accessories

| Item | Designation | Description |
|------|-------------|-------------|
|------|-------------|-------------|

Assembly

| | | |
|---------|---------------|--|
| 3022218 | CLIPFIX 35 | Snap-on end bracket, for 35 mm NS 35/7.5 or NS 35/15 DIN rail, can be fitted with Zack strip ZB 8 and ZB 8/27, terminal strip marker KLM 2 and KLM, width: 9.5 mm, color: gray |
| 3002089 | D-UK 3-MVSTB | End cover, Length: 48 mm, Width: 2.5 mm, Height: 47 mm, Color: gray |
| 3002445 | DP-UK 3-MVSTB | Spacer plate, Length: 47.7 mm, Width: 2.4 mm, Color: gray |
| 1201442 | E/UK | End clamp, for assembly on NS 32 or NS 35/7,5 DIN rail |

| | | |
|---------|-------------------------------|--|
| 1201028 | NS 32 AL UNPERF 2000MM | G rail 32 mm (NS 32) |
| 1201280 | NS 32 CU/120QMM UNPERF 2000MM | G-profile DIN rail, deep-drawn, material: Copper, unperforated, height 15 mm, width 32 mm, length 2 m |
| 1201358 | NS 32 CU/35QMM UNPERF 2000MM | G-profile DIN rail, material: Copper, unperforated, height 15 mm, width 32 mm, length 2 m |
| 1201002 | NS 32 PERF 2000MM | G-profile DIN rail, material: Steel, perforated, height 15 mm, width 32 mm, length 2 m |
| 1201015 | NS 32 UNPERF 2000MM | G-profile DIN rail, material: Steel, unperforated, height 15 mm, width 32 mm, length 2 m |
| 0801762 | NS 35/ 7,5 CU UNPERF 2000MM | DIN rail, material: Copper, unperforated, height 7.5 mm, width 35 mm, length: 2 m |
| 0801733 | NS 35/ 7,5 PERF 2000MM | DIN rail, material: Steel, galvanized and passivated with a thick layer, perforated, height 7.5 mm, width 35 mm, length: 2 m |
| 0801681 | NS 35/ 7,5 UNPERF 2000MM | DIN rail, material: Steel, unperforated, height 7.5 mm, width 35 mm, length: 2 m |
| 1201756 | NS 35/15 AL UNPERF 2000MM | DIN rail, deep-drawn, high profile, unperforated, 1.5 mm thick, material: Aluminum, height 15 mm, width 35 mm, length 2 m |
| 1201895 | NS 35/15 CU UNPERF 2000MM | DIN rail, material: Copper, unperforated, 1.5 mm thick, height 15 mm, width 35 mm, length: 2 m |
| 1201730 | NS 35/15 PERF 2000MM | DIN rail, material: Steel, perforated, height 15 mm, width 35 mm, length: 2 m |
| 1201714 | NS 35/15 UNPERF 2000MM | DIN rail, material: Steel, unperforated, height 15 mm, width 35 mm, length: 2 m |
| 1201798 | NS 35/15-2,3 UNPERF 2000MM | DIN rail, material: Steel, unperforated, 2.3 mm thick, height 15 mm, width 35 mm, length: 2 m |
| 1705126 | RS-KDS 2,5-LA | Common return busbar, brass, tin-plated, up to 10 A, length: 0.5 m |
| 2770215 | TS-KK 3 | Separating plate, Color: gray |

Bridges

| | | |
|---------|-------------|--|
| 2303145 | EBL 2- 5 | Cross connector/bridge, Number of positions: 2, Color: gray |
| 2303158 | EBL 3- 5 | Cross connector/bridge, Number of positions: 3, Color: gray |
| 2770642 | FBRI 10-5 N | Cross connector/bridge, Number of positions: 10, Color: silver |
| 3000434 | FBRI 12-5 N | Cross connector/bridge, Number of positions: 12, Color: aluminum |
| 3000476 | FBRI 16-5 N | Cross connector/bridge, Number of positions: 16, Color: aluminum |
| 3000515 | FBRI 20-5 N | Cross connector/bridge, Number of positions: 20, Color: aluminum |
| 3006823 | FBRI 40-5 N | Cross connector/bridge, Number of positions: 40, Color: aluminum |

Marking

| | | |
|---------|--------------------|--|
| 1007219 | SBS 5:UNBEDRUCKT | Marker cards for modular terminal blocks, color: white |
| 0809793 | ZB 5,08:UNBEDRUCKT | Zack strip, unprinted: 10-section, for individual labeling with M-PEN, ZB-T or CMS system, sufficient for 100 terminal blocks per pack |

Tools

| | | |
|---------|-------------|--|
| 1205053 | SZS 0,6X3,5 | Screwdriver, bladed, matches all screw terminal blocks up to 4.0 mm ² connection cross section, blade: 0.6 x 3.5 mm, without VDE approval |
|---------|-------------|--|

Additional products

| Item | Designation | Description |
|----------------|---------------------|--|
| General | | |
| 1873058 | FKC 2,5/ 2-ST-5,08 | Plug component, Nominal current: 12 A, Nom. voltage: 250 V, Pitch: 5.08 mm, Number of positions: 2, Connection type: Spring-cage conn., Color: green |
| 1873207 | FKC 2,5/ 2-STF-5,08 | Plug component, Nominal current: 12 A, Nom. voltage: 250 V, Pitch: 5.08 mm, Number of positions: 2, Connection type: Spring-cage conn., Color: green |
| 1873061 | FKC 2,5/ 3-ST-5,08 | Plug component, Nominal current: 12 A, Nom. voltage: 250 V, Pitch: 5.08 mm, Number of positions: 3, Connection type: Spring-cage conn., Color: green |
| 1873210 | FKC 2,5/ 3-STF-5,08 | Plug component, Nominal current: 12 A, Nom. voltage: 250 V, Pitch: 5.08 mm, Number of positions: 3, Connection type: Spring-cage conn., Color: green |
| 1873223 | FKC 2,5/ 4-STF-5,08 | Plug component, Nominal current: 12 A, Nom. voltage: 250 V, Pitch: 5.08 mm, Number of positions: 4, Connection type: Spring-cage conn., Color: green |
| 1873236 | FKC 2,5/ 5-STF-5,08 | Plug component, Nominal current: 12 A, Nom. voltage: 250 V, Pitch: 5.08 mm, Number of positions: 5, Connection type: Spring-cage conn., Color: green |
| 1873090 | FKC 2,5/ 6-ST-5,08 | Plug component, Nominal current: 12 A, Nom. voltage: 250 V, Pitch: 5.08 mm, Number of positions: 6, Connection type: Spring-cage conn., Color: green |
| 1873249 | FKC 2,5/ 6-STF-5,08 | Plug component, Nominal current: 12 A, Nom. voltage: 250 V, Pitch: 5.08 mm, Number of positions: 6, Connection type: Spring-cage conn., Color: green |
| 1873252 | FKC 2,5/ 7-STF-5,08 | Plug component, Nominal current: 12 A, Nom. voltage: 250 V, Pitch: 5.08 mm, Number of positions: 7, Connection type: Spring-cage conn., Color: green |
| 1873113 | FKC 2,5/ 8-ST-5,08 | Plug component, Nominal current: 12 A, Nom. voltage: 250 V, Pitch: 5.08 mm, Number of positions: 8, Connection type: Spring-cage conn., Color: green |
| 1873265 | FKC 2,5/ 8-STF-5,08 | Plug component, Nominal current: 12 A, Nom. voltage: 250 V, Pitch: 5.08 mm, Number of positions: 8, Connection type: Spring-cage conn., Color: green |
| 1873126 | FKC 2,5/ 9-ST-5,08 | Plug component, Nominal current: 12 A, Nom. voltage: 250 V, Pitch: 5.08 mm, Number of positions: 9, Connection type: Spring-cage conn., Color: green |

| | | |
|---------|-----------------------|---|
| 1873278 | FKC 2,5/ 9-STF-5,08 | Plug component, Nominal current: 12 A, Nom. voltage: 250 V, Pitch: 5.08 mm, Number of positions: 9, Connection type: Spring-cage conn., Color: green |
| 1873281 | FKC 2,5/10-STF-5,08 | Plug component, Nominal current: 12 A, Nom. voltage: 250 V, Pitch: 5.08 mm, Number of positions: 10, Connection type: Spring-cage conn., Color: green |
| 1873142 | FKC 2,5/11-ST-5,08 | Plug component, Nominal current: 12 A, Nom. voltage: 250 V, Pitch: 5.08 mm, Number of positions: 11, Connection type: Spring-cage conn., Color: green |
| 1873294 | FKC 2,5/11-STF-5,08 | Plug component, Nominal current: 12 A, Nom. voltage: 250 V, Pitch: 5.08 mm, Number of positions: 11, Connection type: Spring-cage conn., Color: green |
| 1873304 | FKC 2,5/12-STF-5,08 | Plug component, Nominal current: 12 A, Nom. voltage: 250 V, Pitch: 5.08 mm, Number of positions: 12, Connection type: Spring-cage conn., Color: green |
| 1873317 | FKC 2,5/13-STF-5,08 | Plug component, Nominal current: 12 A, Nom. voltage: 250 V, Pitch: 5.08 mm, Number of positions: 13, Connection type: Spring-cage conn., Color: green |
| 1873171 | FKC 2,5/14-ST-5,08 | Plug component, Nominal current: 12 A, Nom. voltage: 250 V, Pitch: 5.08 mm, Number of positions: 14, Connection type: Spring-cage conn., Color: green |
| 1873320 | FKC 2,5/14-STF-5,08 | Plug component, Nominal current: 12 A, Nom. voltage: 250 V, Pitch: 5.08 mm, Number of positions: 14, Connection type: Spring-cage conn., Color: green |
| 1873333 | FKC 2,5/15-STF-5,08 | Plug component, Nominal current: 12 A, Nom. voltage: 250 V, Pitch: 5.08 mm, Number of positions: 15, Connection type: Spring-cage conn., Color: green |
| 1873346 | FKC 2,5/16-STF-5,08 | Plug component, Nominal current: 12 A, Nom. voltage: 250 V, Pitch: 5.08 mm, Number of positions: 16, Connection type: Spring-cage conn., Color: green |
| 1874109 | FKCVR 2,5/ 2-STF-5,08 | Plug component, Nominal current: 12 A, Nom. voltage: 250 V, Pitch: 5.08 mm, Number of positions: 2, Connection type: Spring-cage conn., Color: green |
| 1874112 | FKCVR 2,5/ 3-STF-5,08 | Plug component, Nominal current: 12 A, Nom. voltage: 250 V, Pitch: 5.08 mm, Number of positions: 3, Connection type: Spring-cage conn., Color: green |
| 1874125 | FKCVR 2,5/ 4-STF-5,08 | Plug component, Nominal current: 12 A, Nom. voltage: 250 V, Pitch: 5.08 mm, Number of positions: 4, Connection type: Spring-cage conn., Color: green |
| 1874138 | FKCVR 2,5/ 5-STF-5,08 | Plug component, Nominal current: 12 A, Nom. voltage: 250 V, Pitch: 5.08 mm, Number of positions: 5, Connection type: Spring-cage conn., Color: green |
| 1873993 | FKCVR 2,5/ 6-ST-5,08 | Plug component, Nominal current: 12 A, Nom. voltage: 250 V, Pitch: 5.08 mm, Number of positions: 6, Connection type: Spring-cage conn., Color: green |
| 1874141 | FKCVR 2,5/ 6-STF-5,08 | Plug component, Nominal current: 12 A, Nom. voltage: 250 V, Pitch: 5.08 mm, Number of positions: 6, Connection type: Spring-cage conn., Color: green |

| | | |
|---------|----------------------------|---|
| 1874002 | FKCVR 2,5/ 7-ST-5,08 | Plug component, Nominal current: 12 A, Nom. voltage: 250 V, Pitch: 5.08 mm, Number of positions: 7, Connection type: Spring-cage conn., Color: green |
| 1874154 | FKCVR 2,5/ 7-STF-5,08 | Plug component, Nominal current: 12 A, Nom. voltage: 250 V, Pitch: 5.08 mm, Number of positions: 7, Connection type: Spring-cage conn., Color: green |
| 1874167 | FKCVR 2,5/ 8-STF-5,08 | Plug component, Nominal current: 12 A, Nom. voltage: 250 V, Pitch: 5.08 mm, Number of positions: 8, Connection type: Spring-cage conn., Color: green |
| 1874170 | FKCVR 2,5/ 9-STF-5,08 | Plug component, Nominal current: 12 A, Nom. voltage: 250 V, Pitch: 5.08 mm, Number of positions: 9, Connection type: Spring-cage conn., Color: green |
| 1874183 | FKCVR 2,5/10-STF-5,08 | Plug component, Nominal current: 12 A, Nom. voltage: 250 V, Pitch: 5.08 mm, Number of positions: 10, Connection type: Spring-cage conn., Color: green |
| 1874196 | FKCVR 2,5/11-STF-5,08 | Plug component, Nominal current: 12 A, Nom. voltage: 250 V, Pitch: 5.08 mm, Number of positions: 11, Connection type: Spring-cage conn., Color: green |
| 1874206 | FKCVR 2,5/12-STF-5,08 | Plug component, Nominal current: 12 A, Nom. voltage: 250 V, Pitch: 5.08 mm, Number of positions: 12, Connection type: Spring-cage conn., Color: green |
| 1874219 | FKCVR 2,5/13-STF-5,08 | Plug component, Nominal current: 12 A, Nom. voltage: 250 V, Pitch: 5.08 mm, Number of positions: 13, Connection type: Spring-cage conn., Color: green |
| 1874222 | FKCVR 2,5/14-STF-5,08 | Plug component, Nominal current: 12 A, Nom. voltage: 250 V, Pitch: 5.08 mm, Number of positions: 14, Connection type: Spring-cage conn., Color: green |
| 1874086 | FKCVR 2,5/15-ST-5,08 | Plug component, Nominal current: 12 A, Nom. voltage: 250 V, Pitch: 5.08 mm, Number of positions: 15, Connection type: Spring-cage conn., Color: green |
| 1874235 | FKCVR 2,5/15-STF-5,08 | Plug component, Nominal current: 12 A, Nom. voltage: 250 V, Pitch: 5.08 mm, Number of positions: 15, Connection type: Spring-cage conn., Color: green |
| 1874248 | FKCVR 2,5/16-STF-5,08 | Plug component, Nominal current: 12 A, Nom. voltage: 250 V, Pitch: 5.08 mm, Number of positions: 16, Connection type: Spring-cage conn., Color: green |
| 1777808 | FRONT-MSTB 2,5/ 2-STF-5,08 | Plug component, Nominal current: 12 A, Nom. voltage: 250 V, Pitch: 5.08 mm, Number of positions: 2, Connection type: Screw connection, Color: green |
| 1777316 | FRONT-MSTB 2,5/ 5-ST-5,08 | Plug component, Nominal current: 12 A, Nom. voltage: 250 V, Pitch: 5.08 mm, Number of positions: 5, Connection type: Screw connection, Color: green |
| 1777345 | FRONT-MSTB 2,5/ 8-ST-5,08 | Plug component, Nominal current: 12 A, Nom. voltage: 250 V, Pitch: 5.08 mm, Number of positions: 8, Connection type: Screw connection, Color: green |
| 1777882 | FRONT-MSTB 2,5/11-STF-5,08 | Plug component, Nominal current: 12 A, Nom. voltage: 250 V, Pitch: 5.08 mm, Number of positions: 11, Connection type: Screw connection, Color: green |

| | | |
|---------|----------------------------|--|
| 1777947 | FRONT-MSTB 2,5/17-STF-5,08 | Plug component, Nominal current: 12 A, Nom. voltage: 250 V, Pitch: 5.08 mm, Number of positions: 17, Connection type: Screw connection, Color: green |
| 1777455 | FRONT-MSTB 2,5/19-ST-5,08 | Plug component, Nominal current: 12 A, Nom. voltage: 250 V, Pitch: 5.08 mm, Number of positions: 19, Connection type: Screw connection, Color: green |
| 1777976 | FRONT-MSTB 2,5/20-STF-5,08 | Plug component, Nominal current: 12 A, Nom. voltage: 250 V, Pitch: 5.08 mm, Number of positions: 20, Connection type: Screw connection, Color: green |
| 1777484 | FRONT-MSTB 2,5/22-ST-5,08 | Plug component, Nominal current: 12 A, Nom. voltage: 250 V, Pitch: 5.08 mm, Number of positions: 22, Connection type: Screw connection, Color: green |
| 1777497 | FRONT-MSTB 2,5/23-ST-5,08 | Plug component, Nominal current: 12 A, Nom. voltage: 250 V, Pitch: 5.08 mm, Number of positions: 23, Connection type: Screw connection, Color: green |
| 1757019 | MSTB 2,5/ 2-ST-5,08 | Plug component, Nominal current: 12 A, Nom. voltage: 250 V, Pitch: 5.08 mm, Number of positions: 2, Connection type: Screw connection, Color: green |
| 1777989 | MSTB 2,5/ 2-STF-5,08 | Plug component, Nominal current: 12 A, Nom. voltage: 250 V, Pitch: 5.08 mm, Number of positions: 2, Connection type: Screw connection, Color: green |
| 1757022 | MSTB 2,5/ 3-ST-5,08 | Plug component, Nominal current: 12 A, Nom. voltage: 250 V, Pitch: 5.08 mm, Number of positions: 3, Connection type: Screw connection, Color: green |
| 1777992 | MSTB 2,5/ 3-STF-5,08 | Plug component, Nominal current: 12 A, Nom. voltage: 250 V, Pitch: 5.08 mm, Number of positions: 3, Connection type: Screw connection, Color: green |
| 1757035 | MSTB 2,5/ 4-ST-5,08 | Plug component, Nominal current: 12 A, Nom. voltage: 250 V, Pitch: 5.08 mm, Number of positions: 4, Connection type: Screw connection, Color: green |
| 1778001 | MSTB 2,5/ 4-STF-5,08 | Plug component, Nominal current: 12 A, Nom. voltage: 250 V, Pitch: 5.08 mm, Number of positions: 4, Connection type: Screw connection, Color: green |
| 1778014 | MSTB 2,5/ 5-STF-5,08 | Plug component, Nominal current: 12 A, Nom. voltage: 250 V, Pitch: 5.08 mm, Number of positions: 5, Connection type: Screw connection, Color: green |
| 1776142 | MSTB 2,5/ 5-STZ-5,08 | Plug component, Nominal current: 12 A, Nom. voltage: 250 V, Pitch: 5.08 mm, Number of positions: 5, Connection type: Screw connection, Color: green |
| 1778027 | MSTB 2,5/ 6-STF-5,08 | Plug component, Nominal current: 12 A, Nom. voltage: 250 V, Pitch: 5.08 mm, Number of positions: 6, Connection type: Screw connection, Color: green |
| 1776126 | MSTB 2,5/ 6-STZ-5,08 | Plug component, Nominal current: 12 A, Nom. voltage: 250 V, Pitch: 5.08 mm, Number of positions: 6, Connection type: Screw connection, Color: green |
| 1778030 | MSTB 2,5/ 7-STF-5,08 | Plug component, Nominal current: 12 A, Nom. voltage: 250 V, Pitch: 5.08 mm, Number of positions: 7, Connection type: Screw connection, Color: green |

| | | |
|---------|----------------------|--|
| 1757077 | MSTB 2,5/ 8-ST-5,08 | Plug component, Nominal current: 12 A, Nom. voltage: 250 V, Pitch: 5.08 mm, Number of positions: 8, Connection type: Screw connection, Color: green |
| 1778043 | MSTB 2,5/ 8-STF-5,08 | Plug component, Nominal current: 12 A, Nom. voltage: 250 V, Pitch: 5.08 mm, Number of positions: 8, Connection type: Screw connection, Color: green |
| 1778056 | MSTB 2,5/ 9-STF-5,08 | Plug component, Nominal current: 12 A, Nom. voltage: 250 V, Pitch: 5.08 mm, Number of positions: 9, Connection type: Screw connection, Color: green |
| 1778069 | MSTB 2,5/10-STF-5,08 | Plug component, Nominal current: 12 A, Nom. voltage: 250 V, Pitch: 5.08 mm, Number of positions: 10, Connection type: Screw connection, Color: green |
| 1778072 | MSTB 2,5/11-STF-5,08 | Plug component, Nominal current: 12 A, Nom. voltage: 250 V, Pitch: 5.08 mm, Number of positions: 11, Connection type: Screw connection, Color: green |
| 1778085 | MSTB 2,5/12-STF-5,08 | Plug component, Nominal current: 12 A, Nom. voltage: 250 V, Pitch: 5.08 mm, Number of positions: 12, Connection type: Screw connection, Color: green |
| 1778098 | MSTB 2,5/13-STF-5,08 | Plug component, Nominal current: 12 A, Nom. voltage: 250 V, Pitch: 5.08 mm, Number of positions: 13, Connection type: Screw connection, Color: green |
| 1778108 | MSTB 2,5/14-STF-5,08 | Plug component, Nominal current: 12 A, Nom. voltage: 250 V, Pitch: 5.08 mm, Number of positions: 14, Connection type: Screw connection, Color: green |
| 1764264 | MSTB 2,5/14-STZ-5,08 | Plug component, Nominal current: 12 A, Nom. voltage: 250 V, Pitch: 5.08 mm, Number of positions: 14, Connection type: Screw connection, Color: green |
| 1778111 | MSTB 2,5/15-STF-5,08 | Plug component, Nominal current: 12 A, Nom. voltage: 250 V, Pitch: 5.08 mm, Number of positions: 15, Connection type: Screw connection, Color: green |
| 1764251 | MSTB 2,5/15-STZ-5,08 | Plug component, Nominal current: 12 A, Nom. voltage: 250 V, Pitch: 5.08 mm, Number of positions: 15, Connection type: Screw connection, Color: green |
| 1757158 | MSTB 2,5/16-ST-5,08 | Plug component, Nominal current: 12 A, Nom. voltage: 250 V, Pitch: 5.08 mm, Number of positions: 16, Connection type: Screw connection, Color: green |
| 1778124 | MSTB 2,5/16-STF-5,08 | Plug component, Nominal current: 12 A, Nom. voltage: 250 V, Pitch: 5.08 mm, Number of positions: 16, Connection type: Screw connection, Color: green |
| 1778137 | MSTB 2,5/17-STF-5,08 | Plug component, Nominal current: 12 A, Nom. voltage: 250 V, Pitch: 5.08 mm, Number of positions: 17, Connection type: Screw connection, Color: green |
| 1778140 | MSTB 2,5/18-STF-5,08 | Plug component, Nominal current: 12 A, Nom. voltage: 250 V, Pitch: 5.08 mm, Number of positions: 18, Connection type: Screw connection, Color: green |
| 1778153 | MSTB 2,5/19-STF-5,08 | Plug component, Nominal current: 12 A, Nom. voltage: 250 V, Pitch: 5.08 mm, Number of positions: 19, Connection type: Screw connection, Color: green |

| | | |
|---------|------------------------|--|
| 1778166 | MSTB 2,5/20-STF-5,08 | Plug component, Nominal current: 12 A, Nom. voltage: 250 V, Pitch: 5.08 mm, Number of positions: 20, Connection type: Screw connection, Color: green |
| 1757213 | MSTB 2,5/22-ST-5,08 | Plug component, Nominal current: 12 A, Nom. voltage: 250 V, Pitch: 5.08 mm, Number of positions: 22, Connection type: Screw connection, Color: green |
| 1757226 | MSTB 2,5/23-ST-5,08 | Plug component, Nominal current: 12 A, Nom. voltage: 250 V, Pitch: 5.08 mm, Number of positions: 23, Connection type: Screw connection, Color: green |
| 1809734 | MSTBC 2,5/ 2-STZF-5,08 | Plug component, Nominal current: 12 A, Nom. voltage: 320 V, Pitch: 5.08 mm, Number of positions: 2, Connection type: Crimp connection, Color: green |
| 1808829 | MSTBC 2,5/ 3-ST-5,08 | Plug component, Nominal current: 12 A, Nom. voltage: 320 V, Pitch: 5.08 mm, Number of positions: 3, Connection type: Crimp connection, Color: green |
| 1809514 | MSTBC 2,5/ 3-STZ-5,08 | Plug component, Nominal current: 12 A, Nom. voltage: 320 V, Pitch: 5.08 mm, Number of positions: 3, Connection type: Crimp connection, Color: green |
| 1809747 | MSTBC 2,5/ 3-STZF-5,08 | Plug component, Nominal current: 12 A, Nom. voltage: 320 V, Pitch: 5.08 mm, Number of positions: 3, Connection type: Crimp connection, Color: green |
| 1809527 | MSTBC 2,5/ 4-STZ-5,08 | Plug component, Nominal current: 12 A, Nom. voltage: 320 V, Pitch: 5.08 mm, Number of positions: 4, Connection type: Crimp connection, Color: green |
| 1809750 | MSTBC 2,5/ 4-STZF-5,08 | Plug component, Nominal current: 12 A, Nom. voltage: 320 V, Pitch: 5.08 mm, Number of positions: 4, Connection type: Crimp connection, Color: green |
| 1809530 | MSTBC 2,5/ 5-STZ-5,08 | Plug component, Nominal current: 12 A, Nom. voltage: 320 V, Pitch: 5.08 mm, Number of positions: 5, Connection type: Crimp connection, Color: green |
| 1809763 | MSTBC 2,5/ 5-STZF-5,08 | Plug component, Nominal current: 12 A, Nom. voltage: 320 V, Pitch: 5.08 mm, Number of positions: 5, Connection type: Crimp connection, Color: green |
| 1808858 | MSTBC 2,5/ 6-ST-5,08 | Plug component, Nominal current: 12 A, Nom. voltage: 320 V, Pitch: 5.08 mm, Number of positions: 6, Connection type: Crimp connection, Color: green |
| 1809776 | MSTBC 2,5/ 6-STZF-5,08 | Plug component, Nominal current: 12 A, Nom. voltage: 320 V, Pitch: 5.08 mm, Number of positions: 6, Connection type: Crimp connection, Color: green |
| 1809556 | MSTBC 2,5/ 7-STZ-5,08 | Plug component, Nominal current: 12 A, Nom. voltage: 320 V, Pitch: 5.08 mm, Number of positions: 7, Connection type: Crimp connection, Color: green |
| 1809789 | MSTBC 2,5/ 7-STZF-5,08 | Plug component, Nominal current: 12 A, Nom. voltage: 320 V, Pitch: 5.08 mm, Number of positions: 7, Connection type: Crimp connection, Color: green |
| 1809569 | MSTBC 2,5/ 8-STZ-5,08 | Plug component, Nominal current: 12 A, Nom. voltage: 320 V, Pitch: 5.08 mm, Number of positions: 8, Connection type: Crimp connection, Color: green |

| | | |
|---------|------------------------|--|
| 1809792 | MSTBC 2,5/ 8-STZF-5,08 | Plug component, Nominal current: 12 A, Nom. voltage: 320 V, Pitch: 5.08 mm, Number of positions: 8, Connection type: Crimp connection, Color: green |
| 1809802 | MSTBC 2,5/ 9-STZF-5,08 | Plug component, Nominal current: 12 A, Nom. voltage: 320 V, Pitch: 5.08 mm, Number of positions: 9, Connection type: Crimp connection, Color: green |
| 1808890 | MSTBC 2,5/10-ST-5,08 | Plug component, Nominal current: 12 A, Nom. voltage: 320 V, Pitch: 5.08 mm, Number of positions: 10, Connection type: Crimp connection, Color: green |
| 1809585 | MSTBC 2,5/10-STZ-5,08 | Plug component, Nominal current: 12 A, Nom. voltage: 320 V, Pitch: 5.08 mm, Number of positions: 10, Connection type: Crimp connection, Color: green |
| 1809815 | MSTBC 2,5/10-STZF-5,08 | Plug component, Nominal current: 12 A, Nom. voltage: 320 V, Pitch: 5.08 mm, Number of positions: 10, Connection type: Crimp connection, Color: green |
| 1809598 | MSTBC 2,5/11-STZ-5,08 | Plug component, Nominal current: 12 A, Nom. voltage: 320 V, Pitch: 5.08 mm, Number of positions: 11, Connection type: Crimp connection, Color: green |
| 1809828 | MSTBC 2,5/11-STZF-5,08 | Plug component, Nominal current: 12 A, Nom. voltage: 320 V, Pitch: 5.08 mm, Number of positions: 11, Connection type: Crimp connection, Color: green |
| 1809608 | MSTBC 2,5/12-STZ-5,08 | Plug component, Nominal current: 12 A, Nom. voltage: 320 V, Pitch: 5.08 mm, Number of positions: 12, Connection type: Crimp connection, Color: green |
| 1809831 | MSTBC 2,5/12-STZF-5,08 | Plug component, Nominal current: 12 A, Nom. voltage: 320 V, Pitch: 5.08 mm, Number of positions: 12, Connection type: Crimp connection, Color: green |
| 1809844 | MSTBC 2,5/13-STZF-5,08 | Plug component, Nominal current: 12 A, Nom. voltage: 320 V, Pitch: 5.08 mm, Number of positions: 13, Connection type: Crimp connection, Color: green |
| 1809624 | MSTBC 2,5/14-STZ-5,08 | Plug component, Nominal current: 12 A, Nom. voltage: 320 V, Pitch: 5.08 mm, Number of positions: 14, Connection type: Crimp connection, Color: green |
| 1809857 | MSTBC 2,5/14-STZF-5,08 | Plug component, Nominal current: 12 A, Nom. voltage: 320 V, Pitch: 5.08 mm, Number of positions: 14, Connection type: Crimp connection, Color: green |
| 1809860 | MSTBC 2,5/15-STZF-5,08 | Plug component, Nominal current: 12 A, Nom. voltage: 320 V, Pitch: 5.08 mm, Number of positions: 15, Connection type: Crimp connection, Color: green |
| 1809640 | MSTBC 2,5/16-STZ-5,08 | Plug component, Nominal current: 12 A, Nom. voltage: 320 V, Pitch: 5.08 mm, Number of positions: 16, Connection type: Crimp connection, Color: green |
| 1809873 | MSTBC 2,5/16-STZF-5,08 | Plug component, Nominal current: 12 A, Nom. voltage: 320 V, Pitch: 5.08 mm, Number of positions: 16, Connection type: Crimp connection, Color: green |
| 1808968 | MSTBC 2,5/17-ST-5,08 | Plug component, Nominal current: 12 A, Nom. voltage: 320 V, Pitch: 5.08 mm, Number of positions: 17, Connection type: Crimp connection, Color: green |

| | | |
|---------|------------------------|--|
| 1809653 | MSTBC 2,5/17-STZ-5,08 | Plug component, Nominal current: 12 A, Nom. voltage: 320 V, Pitch: 5.08 mm, Number of positions: 17, Connection type: Crimp connection, Color: green |
| 1809886 | MSTBC 2,5/17-STZF-5,08 | Plug component, Nominal current: 12 A, Nom. voltage: 320 V, Pitch: 5.08 mm, Number of positions: 17, Connection type: Crimp connection, Color: green |
| 1809666 | MSTBC 2,5/18-STZ-5,08 | Plug component, Nominal current: 12 A, Nom. voltage: 320 V, Pitch: 5.08 mm, Number of positions: 18, Connection type: Crimp connection, Color: green |
| 1809899 | MSTBC 2,5/18-STZF-5,08 | Plug component, Nominal current: 12 A, Nom. voltage: 320 V, Pitch: 5.08 mm, Number of positions: 18, Connection type: Crimp connection, Color: green |
| 1808984 | MSTBC 2,5/19-ST-5,08 | Plug component, Nominal current: 12 A, Nom. voltage: 320 V, Pitch: 5.08 mm, Number of positions: 19, Connection type: Crimp connection, Color: green |
| 1809909 | MSTBC 2,5/19-STZF-5,08 | Plug component, Nominal current: 12 A, Nom. voltage: 320 V, Pitch: 5.08 mm, Number of positions: 19, Connection type: Crimp connection, Color: green |
| 1809912 | MSTBC 2,5/20-STZF-5,08 | Plug component, Nominal current: 12 A, Nom. voltage: 320 V, Pitch: 5.08 mm, Number of positions: 20, Connection type: Crimp connection, Color: green |
| 1809925 | MSTBC 2,5/21-STZF-5,08 | Plug component, Nominal current: 12 A, Nom. voltage: 320 V, Pitch: 5.08 mm, Number of positions: 21, Connection type: Crimp connection, Color: green |
| 1809938 | MSTBC 2,5/22-STZF-5,08 | Plug component, Nominal current: 12 A, Nom. voltage: 320 V, Pitch: 5.08 mm, Number of positions: 22, Connection type: Crimp connection, Color: green |
| 1809718 | MSTBC 2,5/23-STZ-5,08 | Plug component, Nominal current: 12 A, Nom. voltage: 320 V, Pitch: 5.08 mm, Number of positions: 23, Connection type: Crimp connection, Color: green |
| 1809941 | MSTBC 2,5/23-STZF-5,08 | Plug component, Nominal current: 12 A, Nom. voltage: 320 V, Pitch: 5.08 mm, Number of positions: 23, Connection type: Crimp connection, Color: green |
| 1809954 | MSTBC 2,5/24-STZF-5,08 | Plug component, Nominal current: 12 A, Nom. voltage: 320 V, Pitch: 5.08 mm, Number of positions: 24, Connection type: Crimp connection, Color: green |
| 1769023 | MSTBP 2,5/ 3-ST-5,08 | Plug component, Nominal current: 12 A, Nom. voltage: 250 V, Pitch: 5.08 mm, Number of positions: 3, Connection type: Screw connection, Color: green |
| 1769049 | MSTBP 2,5/ 5-ST-5,08 | Plug component, Nominal current: 12 A, Nom. voltage: 250 V, Pitch: 5.08 mm, Number of positions: 5, Connection type: Screw connection, Color: green |
| 1769052 | MSTBP 2,5/ 6-ST-5,08 | Plug component, Nominal current: 12 A, Nom. voltage: 250 V, Pitch: 5.08 mm, Number of positions: 6, Connection type: Screw connection, Color: green |
| 1769081 | MSTBP 2,5/ 9-ST-5,08 | Plug component, Nominal current: 12 A, Nom. voltage: 250 V, Pitch: 5.08 mm, Number of positions: 9, Connection type: Screw connection, Color: green |

| | | |
|---------|------------------------|--|
| 1769117 | MSTBP 2,5/12-ST-5,08 | Plug component, Nominal current: 12 A, Nom. voltage: 250 V, Pitch: 5.08 mm, Number of positions: 12, Connection type: Screw connection, Color: green |
| 1792249 | MVSTBR 2,5/ 2-ST-5,08 | Plug component, Nominal current: 12 A, Nom. voltage: 250 V, Pitch: 5.08 mm, Number of positions: 2, Connection type: Screw connection, Color: green |
| 1835096 | MVSTBR 2,5/ 2-STF-5,08 | Plug component, Nominal current: 12 A, Nom. voltage: 250 V, Pitch: 5.08 mm, Number of positions: 2, Connection type: Screw connection, Color: green |
| 1792252 | MVSTBR 2,5/ 3-ST-5,08 | Plug component, Nominal current: 12 A, Nom. voltage: 250 V, Pitch: 5.08 mm, Number of positions: 3, Connection type: Screw connection, Color: green |
| 1835106 | MVSTBR 2,5/ 3-STF-5,08 | Plug component, Nominal current: 12 A, Nom. voltage: 250 V, Pitch: 5.08 mm, Number of positions: 3, Connection type: Screw connection, Color: green |
| 1835119 | MVSTBR 2,5/ 4-STF-5,08 | Plug component, Nominal current: 12 A, Nom. voltage: 250 V, Pitch: 5.08 mm, Number of positions: 4, Connection type: Screw connection, Color: green |
| 1835122 | MVSTBR 2,5/ 5-STF-5,08 | Plug component, Nominal current: 12 A, Nom. voltage: 250 V, Pitch: 5.08 mm, Number of positions: 5, Connection type: Screw connection, Color: green |
| 1792281 | MVSTBR 2,5/ 6-ST-5,08 | Plug component, Nominal current: 12 A, Nom. voltage: 250 V, Pitch: 5.08 mm, Number of positions: 6, Connection type: Screw connection, Color: green |
| 1835135 | MVSTBR 2,5/ 6-STF-5,08 | Plug component, Nominal current: 12 A, Nom. voltage: 250 V, Pitch: 5.08 mm, Number of positions: 6, Connection type: Screw connection, Color: green |
| 1835148 | MVSTBR 2,5/ 7-STF-5,08 | Plug component, Nominal current: 12 A, Nom. voltage: 250 V, Pitch: 5.08 mm, Number of positions: 7, Connection type: Screw connection, Color: green |
| 1792304 | MVSTBR 2,5/ 8-ST-5,08 | Plug component, Nominal current: 12 A, Nom. voltage: 250 V, Pitch: 5.08 mm, Number of positions: 8, Connection type: Screw connection, Color: green |
| 1835151 | MVSTBR 2,5/ 8-STF-5,08 | Plug component, Nominal current: 12 A, Nom. voltage: 250 V, Pitch: 5.08 mm, Number of positions: 8, Connection type: Screw connection, Color: green |
| 1835164 | MVSTBR 2,5/ 9-STF-5,08 | Plug component, Nominal current: 12 A, Nom. voltage: 250 V, Pitch: 5.08 mm, Number of positions: 9, Connection type: Screw connection, Color: green |
| 1835177 | MVSTBR 2,5/10-STF-5,08 | Plug component, Nominal current: 12 A, Nom. voltage: 250 V, Pitch: 5.08 mm, Number of positions: 10, Connection type: Screw connection, Color: green |
| 1792333 | MVSTBR 2,5/11-ST-5,08 | Plug component, Nominal current: 12 A, Nom. voltage: 250 V, Pitch: 5.08 mm, Number of positions: 11, Connection type: Screw connection, Color: green |
| 1835180 | MVSTBR 2,5/11-STF-5,08 | Plug component, Nominal current: 12 A, Nom. voltage: 250 V, Pitch: 5.08 mm, Number of positions: 11, Connection type: Screw connection, Color: green |

| | | |
|---------|------------------------|--|
| 1835193 | MVSTBR 2,5/12-STF-5,08 | Plug component, Nominal current: 12 A, Nom. voltage: 250 V, Pitch: 5.08 mm, Number of positions: 12, Connection type: Screw connection, Color: green |
| 1792359 | MVSTBR 2,5/13-ST-5,08 | Plug component, Nominal current: 12 A, Nom. voltage: 250 V, Pitch: 5.08 mm, Number of positions: 13, Connection type: Screw connection, Color: green |
| 1835203 | MVSTBR 2,5/13-STF-5,08 | Plug component, Nominal current: 12 A, Nom. voltage: 250 V, Pitch: 5.08 mm, Number of positions: 13, Connection type: Screw connection, Color: green |
| 1835216 | MVSTBR 2,5/14-STF-5,08 | Plug component, Nominal current: 12 A, Nom. voltage: 250 V, Pitch: 5.08 mm, Number of positions: 14, Connection type: Screw connection, Color: green |
| 1835229 | MVSTBR 2,5/15-STF-5,08 | Plug component, Nominal current: 12 A, Nom. voltage: 250 V, Pitch: 5.08 mm, Number of positions: 15, Connection type: Screw connection, Color: green |
| 1835232 | MVSTBR 2,5/16-STF-5,08 | Plug component, Nominal current: 12 A, Nom. voltage: 250 V, Pitch: 5.08 mm, Number of positions: 16, Connection type: Screw connection, Color: green |
| 1835245 | MVSTBR 2,5/17-STF-5,08 | Plug component, Nominal current: 12 A, Nom. voltage: 250 V, Pitch: 5.08 mm, Number of positions: 17, Connection type: Screw connection, Color: green |
| 1835258 | MVSTBR 2,5/18-STF-5,08 | Plug component, Nominal current: 12 A, Nom. voltage: 250 V, Pitch: 5.08 mm, Number of positions: 18, Connection type: Screw connection, Color: green |
| 1835261 | MVSTBR 2,5/19-STF-5,08 | Plug component, Nominal current: 12 A, Nom. voltage: 250 V, Pitch: 5.08 mm, Number of positions: 19, Connection type: Screw connection, Color: green |
| 1792427 | MVSTBR 2,5/20-ST-5,08 | Plug component, Nominal current: 12 A, Nom. voltage: 250 V, Pitch: 5.08 mm, Number of positions: 20, Connection type: Screw connection, Color: green |
| 1835274 | MVSTBR 2,5/20-STF-5,08 | Plug component, Nominal current: 12 A, Nom. voltage: 250 V, Pitch: 5.08 mm, Number of positions: 20, Connection type: Screw connection, Color: green |
| 1792430 | MVSTBR 2,5/21-ST-5,08 | Plug component, Nominal current: 12 A, Nom. voltage: 250 V, Pitch: 5.08 mm, Number of positions: 21, Connection type: Screw connection, Color: green |
| 1792469 | MVSTBR 2,5/24-ST-5,08 | Plug component, Nominal current: 12 A, Nom. voltage: 250 V, Pitch: 5.08 mm, Number of positions: 24, Connection type: Screw connection, Color: green |
| 1834903 | MVSTBW 2,5/ 2-STF-5,08 | Plug component, Nominal current: 12 A, Nom. voltage: 250 V, Pitch: 5.08 mm, Number of positions: 2, Connection type: Screw connection, Color: green |
| 1834916 | MVSTBW 2,5/ 3-STF-5,08 | Plug component, Nominal current: 12 A, Nom. voltage: 250 V, Pitch: 5.08 mm, Number of positions: 3, Connection type: Screw connection, Color: green |
| 1834929 | MVSTBW 2,5/ 4-STF-5,08 | Plug component, Nominal current: 12 A, Nom. voltage: 250 V, Pitch: 5.08 mm, Number of positions: 4, Connection type: Screw connection, Color: green |

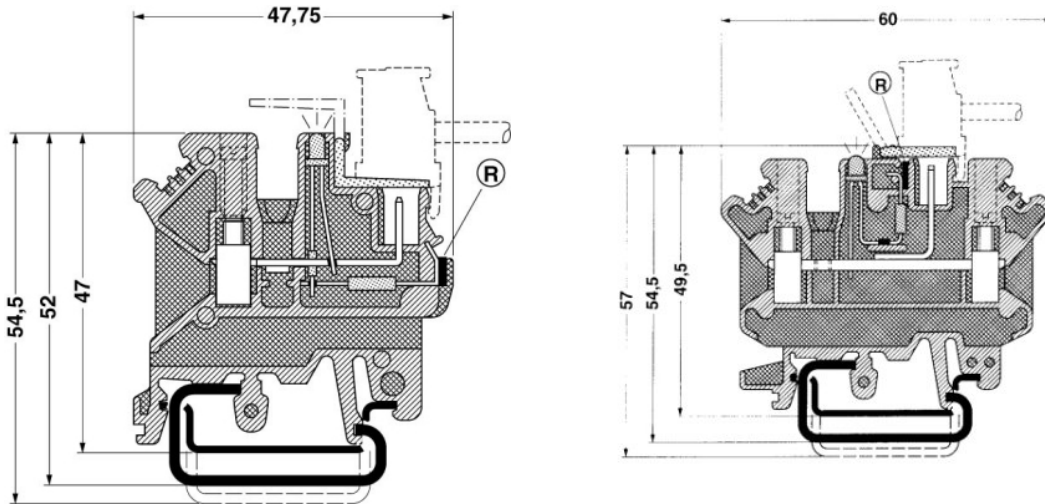
| | | |
|---------|------------------------|--|
| 1834932 | MVSTBW 2,5/ 5-STF-5,08 | Plug component, Nominal current: 12 A, Nom. voltage: 250 V, Pitch: 5.08 mm, Number of positions: 5, Connection type: Screw connection, Color: green |
| 1834945 | MVSTBW 2,5/ 6-STF-5,08 | Plug component, Nominal current: 12 A, Nom. voltage: 250 V, Pitch: 5.08 mm, Number of positions: 6, Connection type: Screw connection, Color: green |
| 1792809 | MVSTBW 2,5/ 7-ST-5,08 | Plug component, Nominal current: 12 A, Nom. voltage: 250 V, Pitch: 5.08 mm, Number of positions: 7, Connection type: Screw connection, Color: green |
| 1834958 | MVSTBW 2,5/ 7-STF-5,08 | Plug component, Nominal current: 12 A, Nom. voltage: 250 V, Pitch: 5.08 mm, Number of positions: 7, Connection type: Screw connection, Color: green |
| 1834961 | MVSTBW 2,5/ 8-STF-5,08 | Plug component, Nominal current: 12 A, Nom. voltage: 250 V, Pitch: 5.08 mm, Number of positions: 8, Connection type: Screw connection, Color: green |
| 1834974 | MVSTBW 2,5/ 9-STF-5,08 | Plug component, Nominal current: 12 A, Nom. voltage: 250 V, Pitch: 5.08 mm, Number of positions: 9, Connection type: Screw connection, Color: green |
| 1834987 | MVSTBW 2,5/10-STF-5,08 | Plug component, Nominal current: 12 A, Nom. voltage: 250 V, Pitch: 5.08 mm, Number of positions: 10, Connection type: Screw connection, Color: green |
| 1834990 | MVSTBW 2,5/11-STF-5,08 | Plug component, Nominal current: 12 A, Nom. voltage: 250 V, Pitch: 5.08 mm, Number of positions: 11, Connection type: Screw connection, Color: green |
| 1792854 | MVSTBW 2,5/12-ST-5,08 | Plug component, Nominal current: 12 A, Nom. voltage: 250 V, Pitch: 5.08 mm, Number of positions: 12, Connection type: Screw connection, Color: green |
| 1835009 | MVSTBW 2,5/12-STF-5,08 | Plug component, Nominal current: 12 A, Nom. voltage: 250 V, Pitch: 5.08 mm, Number of positions: 12, Connection type: Screw connection, Color: green |
| 1835012 | MVSTBW 2,5/13-STF-5,08 | Plug component, Nominal current: 12 A, Nom. voltage: 250 V, Pitch: 5.08 mm, Number of positions: 13, Connection type: Screw connection, Color: green |
| 1835025 | MVSTBW 2,5/14-STF-5,08 | Plug component, Nominal current: 12 A, Nom. voltage: 250 V, Pitch: 5.08 mm, Number of positions: 14, Connection type: Screw connection, Color: green |
| 1835038 | MVSTBW 2,5/15-STF-5,08 | Plug component, Nominal current: 12 A, Nom. voltage: 250 V, Pitch: 5.08 mm, Number of positions: 15, Connection type: Screw connection, Color: green |
| 1792896 | MVSTBW 2,5/16-ST-5,08 | Plug component, Nominal current: 12 A, Nom. voltage: 250 V, Pitch: 5.08 mm, Number of positions: 16, Connection type: Screw connection, Color: green |
| 1835041 | MVSTBW 2,5/16-STF-5,08 | Plug component, Nominal current: 12 A, Nom. voltage: 250 V, Pitch: 5.08 mm, Number of positions: 16, Connection type: Screw connection, Color: green |
| 1835054 | MVSTBW 2,5/17-STF-5,08 | Plug component, Nominal current: 12 A, Nom. voltage: 250 V, Pitch: 5.08 mm, Number of positions: 17, Connection type: Screw connection, Color: green |

| | | |
|---------|------------------------|--|
| 1835067 | MVSTBW 2,5/18-STF-5,08 | Plug component, Nominal current: 12 A, Nom. voltage: 250 V, Pitch: 5.08 mm, Number of positions: 18, Connection type: Screw connection, Color: green |
| 1835070 | MVSTBW 2,5/19-STF-5,08 | Plug component, Nominal current: 12 A, Nom. voltage: 250 V, Pitch: 5.08 mm, Number of positions: 19, Connection type: Screw connection, Color: green |
| 1835083 | MVSTBW 2,5/20-STF-5,08 | Plug component, Nominal current: 12 A, Nom. voltage: 250 V, Pitch: 5.08 mm, Number of positions: 20, Connection type: Screw connection, Color: green |
| 1792948 | MVSTBW 2,5/21-ST-5,08 | Plug component, Nominal current: 12 A, Nom. voltage: 250 V, Pitch: 5.08 mm, Number of positions: 21, Connection type: Screw connection, Color: green |
| 1792964 | MVSTBW 2,5/23-ST-5,08 | Plug component, Nominal current: 12 A, Nom. voltage: 250 V, Pitch: 5.08 mm, Number of positions: 23, Connection type: Screw connection, Color: green |
| 1883352 | QC 1/ 2-STF-5,08 | Plug component, Nominal current: 10 A, Nom. voltage: 500 V, Pitch: 5.08 mm, Number of positions: 2, Connection type: Insulation displacement connection QUICKON, Color: green |
| 1883365 | QC 1/ 3-STF-5,08 | Plug component, Nominal current: 10 A, Nom. voltage: 500 V, Pitch: 5.08 mm, Number of positions: 3, Connection type: Insulation displacement connection QUICKON, Color: green |
| 1883378 | QC 1/ 4-STF-5,08 | Plug component, Nominal current: 10 A, Nom. voltage: 500 V, Pitch: 5.08 mm, Number of positions: 4, Connection type: Insulation displacement connection QUICKON, Color: green |
| 1883381 | QC 1/ 5-STF-5,08 | Plug component, Nominal current: 10 A, Nom. voltage: 500 V, Pitch: 5.08 mm, Number of positions: 5, Connection type: Insulation displacement connection QUICKON, Color: green |
| 1883297 | QC 1/ 6-ST-5,08 | Plug component, Nominal current: 10 A, Nom. voltage: 500 V, Pitch: 5.08 mm, Number of positions: 6, Connection type: Insulation displacement connection QUICKON, Color: green |
| 1883394 | QC 1/ 6-STF-5,08 | Plug component, Nominal current: 10 A, Nom. voltage: 500 V, Pitch: 5.08 mm, Number of positions: 6, Connection type: Insulation displacement connection QUICKON, Color: green |
| 1883404 | QC 1/ 7-STF-5,08 | Plug component, Nominal current: 10 A, Nom. voltage: 500 V, Pitch: 5.08 mm, Number of positions: 7, Connection type: Insulation displacement connection QUICKON, Color: green |
| 1883417 | QC 1/ 8-STF-5,08 | Plug component, Nominal current: 10 A, Nom. voltage: 500 V, Pitch: 5.08 mm, Number of positions: 8, Connection type: Insulation displacement connection QUICKON, Color: green |
| 1883420 | QC 1/ 9-STF-5,08 | Plug component, Nominal current: 10 A, Nom. voltage: 500 V, Pitch: 5.08 mm, Number of positions: 9, Connection type: Insulation displacement connection QUICKON, Color: green |
| 1883433 | QC 1/10-STF-5,08 | Plug component, Nominal current: 10 A, Nom. voltage: 500 V, Pitch: 5.08 mm, Number of positions: 10, Connection type: Insulation displacement connection QUICKON, Color: green |
| 1883349 | QC 1/11-ST-5,08 | Plug component, Nominal current: 10 A, Nom. voltage: 500 V, Pitch: 5.08 mm, Number of positions: 11, Connection type: Insulation displacement connection QUICKON, Color: green |

| | | |
|---------|----------------------|--|
| 1883446 | QC 1/11-STF-5,08 | Plug component, Nominal current: 10 A, Nom. voltage: 500 V, Pitch: 5.08 mm, Number of positions: 11, Connection type: Insulation displacement connection QUICKON, Color: green |
| 1883459 | QC 1/12-STF-5,08 | Plug component, Nominal current: 10 A, Nom. voltage: 500 V, Pitch: 5.08 mm, Number of positions: 12, Connection type: Insulation displacement connection QUICKON, Color: green |
| 1883815 | QC 1/13-ST-5,08 | Plug component, Nominal current: 10 A, Nom. voltage: 500 V, Pitch: 5.08 mm, Number of positions: 13, Connection type: Insulation displacement connection QUICKON, Color: green |
| 1883857 | QC 1/13-STF-5,08 | Plug component, Nominal current: 10 A, Nom. voltage: 500 V, Pitch: 5.08 mm, Number of positions: 13, Connection type: Insulation displacement connection QUICKON, Color: green |
| 1883860 | QC 1/14-STF-5,08 | Plug component, Nominal current: 10 A, Nom. voltage: 500 V, Pitch: 5.08 mm, Number of positions: 14, Connection type: Insulation displacement connection QUICKON, Color: green |
| 1883886 | QC 1/15-STF-5,08 | Plug component, Nominal current: 10 A, Nom. voltage: 500 V, Pitch: 5.08 mm, Number of positions: 15, Connection type: Insulation displacement connection QUICKON, Color: green |
| 1883899 | QC 1/16-STF-5,08 | Plug component, Nominal current: 10 A, Nom. voltage: 500 V, Pitch: 5.08 mm, Number of positions: 16, Connection type: Insulation displacement connection QUICKON, Color: green |
| 1826319 | SMSTB 2,5/ 5-ST-5,08 | Plug component, Nominal current: 12 A, Nom. voltage: 250 V, Pitch: 5.08 mm, Number of positions: 5, Connection type: Screw connection, Color: green |
| 1826322 | SMSTB 2,5/ 6-ST-5,08 | Plug component, Nominal current: 12 A, Nom. voltage: 250 V, Pitch: 5.08 mm, Number of positions: 6, Connection type: Screw connection, Color: green |
| 1826335 | SMSTB 2,5/ 7-ST-5,08 | Plug component, Nominal current: 12 A, Nom. voltage: 250 V, Pitch: 5.08 mm, Number of positions: 7, Connection type: Screw connection, Color: green |
| 1826416 | SMSTB 2,5/15-ST-5,08 | Plug component, Nominal current: 12 A, Nom. voltage: 250 V, Pitch: 5.08 mm, Number of positions: 15, Connection type: Screw connection, Color: green |
| 1850628 | SMSTB 2,5/23-ST-5,08 | Plug component, Nominal current: 12 A, Nom. voltage: 250 V, Pitch: 5.08 mm, Number of positions: 23, Connection type: Screw connection, Color: green |

Diagrams/Drawings

Dimensioned drawing



Address

PHOENIX CONTACT Deutschland GmbH
Flachmarktstr. 8
32825 Blomberg, Germany
Phone +49 5235 3 12000
Fax +49 5235 3 41200
<http://www.phoenixcontact.de>



© 2010 Phoenix Contact
Technical modifications reserved;

Компания «Океан Электроники» предлагает заключение долгосрочных отношений при поставках импортных электронных компонентов на взаимовыгодных условиях!

Наши преимущества:

- Поставка оригинальных импортных электронных компонентов напрямую с производств Америки, Европы и Азии, а так же с крупнейших складов мира;
- Широкая линейка поставок активных и пассивных импортных электронных компонентов (более 30 млн. наименований);
- Поставка сложных, дефицитных, либо снятых с производства позиций;
- Оперативные сроки поставки под заказ (от 5 рабочих дней);
- Экспресс доставка в любую точку России;
- Помощь Конструкторского Отдела и консультации квалифицированных инженеров;
- Техническая поддержка проекта, помощь в подборе аналогов, поставка прототипов;
- Поставка электронных компонентов под контролем ВП;
- Система менеджмента качества сертифицирована по Международному стандарту ISO 9001;
- При необходимости вся продукция военного и аэрокосмического назначения проходит испытания и сертификацию в лаборатории (по согласованию с заказчиком);
- Поставка специализированных компонентов военного и аэрокосмического уровня качества (Xilinx, Altera, Analog Devices, Intersil, Interpoint, Microsemi, Actel, Aeroflex, Peregrine, VPT, Syfer, Eurofarad, Texas Instruments, MS Kennedy, Miteq, Cobham, E2V, MA-COM, Hittite, Mini-Circuits, General Dynamics и др.);

Компания «Океан Электроники» является официальным дистрибьютором и эксклюзивным представителем в России одного из крупнейших производителей разъемов военного и аэрокосмического назначения «JONHON», а так же официальным дистрибьютором и эксклюзивным представителем в России производителя высокотехнологичных и надежных решений для передачи СВЧ сигналов «FORSTAR».



JONHON

«JONHON» (основан в 1970 г.)

Разъемы специального, военного и аэрокосмического назначения:

(Применяются в военной, авиационной, аэрокосмической, морской, железнодорожной, горно- и нефтедобывающей отраслях промышленности)

«FORSTAR» (основан в 1998 г.)

ВЧ соединители, коаксиальные кабели, кабельные сборки и микроволновые компоненты:

(Применяются в телекоммуникациях гражданского и специального назначения, в средствах связи, РЛС, а так же военной, авиационной и аэрокосмической отраслях промышленности).



Телефон: 8 (812) 309-75-97 (многоканальный)

Факс: 8 (812) 320-03-32

Электронная почта: ocean@oceanchips.ru

Web: <http://oceanchips.ru/>

Адрес: 198099, г. Санкт-Петербург, ул. Калинина, д. 2, корп. 4, лит. А