

Piezoelectric Sound Components



EU RoHS Compliant

- All the products in this catalog comply with EU RoHS.
- EU RoHS is "the European Directive 2011/65/EU on the Restriction of the Use of Certain Hazardous Substances in Electrical and Electronic Equipment."
- For more details, please refer to our website 'Murata's Approach for EU RoHS' (<http://www.murata.com/info/rohs.html>).

CONTENTS

PIEZORINGER® and "PIEZORINGER" in this catalog are the trademarks of Murata Manufacturing Co., Ltd.

| | | |
|--|-------|----|
| Part Numbering | _____ | 2 |
| Application Matrix | _____ | 4 |
| 1 Piezoelectric Diaphragms | _____ | 5 |
| External Drive Type | _____ | 5 |
| Self Drive Type | _____ | 6 |
| ● Piezoelectric Diaphragms Notice | _____ | 7 |
| 2 Piezoelectric Sounders External Drive Pin Type | _____ | 8 |
| ● Piezoelectric Sounders (External Drive Pin Type) Circuit/Notice | _____ | 13 |
| 3 Piezoelectric Sounders External Drive Pin Type Taping | _____ | 14 |
| ● Piezoelectric Sounders (External Drive Pin Type Taping) Circuit/Notice | _____ | 16 |
| 4 Piezoelectric Sounders External Drive Lead Wire Type | _____ | 17 |
| ● Piezoelectric Sounders (External Drive Lead Wire Type) Circuit/Notice | _____ | 19 |
| 5 Piezoelectric Sounders External Drive SMD Type | _____ | 20 |
| ● Piezoelectric Sounders (External Drive SMD Type) Circuit/Notice | _____ | 22 |
| 6 Piezoelectric Ringers (PIEZORINGER®) | _____ | 23 |
| Pin Type | _____ | 23 |
| Lead Wire Type | _____ | 23 |
| ● Piezoelectric Ringers (PIEZORINGER®) Notice | _____ | 25 |
| 7 Piezoelectric Sounders Self Drive Pin Type | _____ | 26 |
| ● Piezoelectric Sounders (Self Drive) Notice | _____ | 27 |
| 8 Piezoelectric Buzzers Pin Type | _____ | 28 |
| ● Piezoelectric Buzzers Notice | _____ | 29 |
| Piezoelectric Sound Components Notice | _____ | 30 |
| Package | _____ | 31 |

1

2

3

4

5

6

7

8

● Part Numbering

Piezoelectric Diaphragms



① Product ID

| Product ID | |
|------------|------------------|
| 7 | Ceramic Material |

② Material

| Code | Metal Plate Material |
|------|----------------------|
| B | Brass |
| N | Nickel Alloy |
| S | SUS |

③ Product

| Code | Product |
|------|--------------------------|
| B | Piezoelectric Diaphragms |

④ Metal Plate Diameter

| Code | Metal Plate Diameter |
|-------|--|
| -31R2 | A hyphen (-) plus four-digit alphanumerics express metal plate outer dimensions. A decimal point is expressed by the capital letter "R." |

If there is no decimal point, the decimal point code is omitted.

⑤ Form of Piezoelectric Style

| Code | Form of Piezoelectric Style |
|------|---|
| DM | Two digits express the shape of ceramics. |

For an Ag electrode, this digit remains blank; the corresponding code is omitted.

⑥ Resonant Frequency Type

| Code | Resonant Frequency (kHz) |
|------|--|
| -1R5 | A hyphen (-) and three-digit alphanumerics express resonant frequency. A decimal point is expressed by the capital letter "R." |

If there is no decimal point, the decimal point code is omitted.

⑦ With Feedback Electrode

| Code | With Feedback Electrode |
|------|----------------------------|
| C | With Feedback Electrode |
| — | Without Feedback Electrode |

⑧ Product Specification

| Code | Product Specification |
|------|--------------------------------|
| L | With lead (available for RoHS) |
| — | No lead (omitted) |

⑨ Individual Specification Code

| Code | Individual Specification Code |
|------|---|
| 10 | These digits express a lead length, lead number, and the presence/absence of a connector. |

If the product has no individual specification, the corresponding code is omitted.

Piezoelectric Sounders/Piezoelectric Buzzers/Piezoelectric Ringers (PIEZORINGER®)

(Part Number)

| | | | | | | | | | |
|----|---|----|---|---|----|----|----|---|-----|
| PK | M | 13 | E | P | YH | 40 | 00 | P | -A0 |
| ① | ② | ③ | ④ | ⑤ | ⑥ | ⑦ | ⑧ | ⑨ | ⑩ |

① Product ID

| Product ID | |
|------------|--------------------------------|
| PK | Piezoelectric Sound Components |

② Product

| Code | Product |
|----------|-----------------|
| M | Sounder, Ringer |
| B | Buzzer |

③ Outer Dimensions

Expressed by two figures in mm.

Ex.)

| Code | Outer Dimensions |
|-----------|------------------|
| 13 | ø12.6mm |

④ Drive

| Code | Drive |
|----------|----------------|
| E | External-Drive |
| S | Self-Drive |

⑤ Outer Electrode Style

| Code | Outer Electrode Style |
|----------|-----------------------|
| P | Pin Type |
| W | Lead Wire Type |

⑥ Structure

| Code | Structure |
|-----------------------------------|--------------------------------|
| T <input type="checkbox"/> | Standing Type |
| P <input type="checkbox"/> | Flat Type Auto-assemble |
| Y <input type="checkbox"/> | Flat Type/Available for Taping |
| C <input type="checkbox"/> | Flat Type/Semi-auto-assemble |
| <input type="checkbox"/> | Exclude above mentioned |

signifies specification of the outer electrode.

SMD Piezoelectric Sounder

(Part Number)

| | | | | | | |
|----|-----|------|---|----|----|-----|
| PK | LCS | 1212 | E | 40 | 01 | -R1 |
| ① | ② | ③ | ④ | ⑤ | ⑥ | ⑦ |

① Product ID

| Product ID | |
|------------|--------------------------------|
| PK | Piezoelectric Sound Components |

② Product

| Code | Product |
|------------|-------------|
| LCS | SMD Sounder |

③ Dimensions

| Code | Outer Dimensions |
|-------------|-------------------------------|
| 1212 | <input type="checkbox"/> 12mm |

④ Drive

| Code | Drive |
|----------|----------------|
| E | External Drive |

⑦ Oscillating Frequency Type

| Code | Oscillating Frequency Type |
|-----------|--|
| 40 | Expressed resonant frequency by two-digit alphanumerics. The unit is in 100 hertz (Hz). In case of 4kHz (4000Hz), expressed as "40." |

⑧ Individual Specification Code

| Code | Individual Specification Code |
|-----------|---|
| 00 | Two digits express custom specification in characteristics. |

⑨ Special Quality Guarantee

| Code | Special Quality Guarantee |
|----------|---------------------------|
| P | Post Plated Terminal |
| - | Blank |

⑩ Packaging

| Code | Packaging |
|------------|---------------|
| -B0 | Bulk |
| -A0 | Radial Taping |

Radial taping is not available for all types.
 Please contact us.

⑤ Oscillating Frequency Type

| Code | Oscillating Frequency Type |
|-----------|---|
| 40 | Expressed resonant frequency by two-digit alphanumerics. The unit is in 100 hertz (Hz.) 4kHz (4000Hz) is denoted as "40." |

⑥ Individual Specification Code

| Code | Individual Specification Code |
|-----------|---|
| 01 | Two digits express specific specification in characteristics. |

⑦ Packaging

| Code | Packaging |
|------------|----------------|
| -R1 | Plastic taping |

Application Matrix

| | | Application | | | | | | | | | | | | | | | |
|-------------------------|---------------------|-------------------|-------|-------|-------|--------------------|-----------------|----------------|-----|------------------|---------|-------------|------------|-----------------|-----|------------|---------|
| | | Part Number | Phone | Watch | Clock | Medical Equip-ment | Fire/ Gas Alarm | Digital Camera | Toy | Bar Code Scanner | Printer | Note-PC PDA | DVD-Player | Micro-wave Oven | A/C | Fan Heater | Cluster |
| Piezoelectric Diaphragm | External Drive Type | 7BB-12-9 | | ● | ● | ● | | ● | ● | | | ● | | | | | |
| | | 7BB-15-6 | | | ● | ● | | ● | ● | | | ● | | | | | |
| | | 7BB-20-3 | ● | ● | ● | ● | ● | | ● | ● | | | | | | | |
| | | 7BB-20-6 | | | ● | ● | | | ● | ● | | | ● | | | | |
| | | 7BB-20-6L0 | | | ● | ● | | | ● | ● | | | ● | | | | |
| | | 7BB-27-4 | ● | | ● | ● | | | | ● | ● | | | | | | |
| | | 7BB-27-4L0 | ● | | ● | ● | | | | ● | ● | | | | | | |
| | | 7BB-35-3 | ● | | ● | | | | | ● | ● | | | | | | |
| | | 7BB-35-3L0 | ● | | ● | | | | ● | ● | | | | | | | |
| | | 7BB-41-2 | ● | | | | | | | | | | | | | | |
| | | 7BB-41-2L0 | ● | | | | | | | | | | | | | | |
| | 7NB-31R2-1 | | | | | ● | ● | | | | | | | | | | |
| | Self Drive Type | 7BB-20-6C | ● | | | | | | ● | ● | | | | | | | |
| | | 7BB-20-6CL0 | ● | | | | | | ● | ● | | | | | | | |
| | | 7BB-27-4C | ● | | | | | ● | ● | ● | | | | | | | |
| | | 7BB-27-4CL0 | ● | | | | | ● | ● | ● | | | | | | | |
| | | 7BB-35-3C | ● | | | | | ● | | ● | | | | | | | |
| | | 7BB-35-3CL0 | ● | | | | | ● | | ● | | | | | | | |
| 7BB-41-2C | | ● | | | | | | | | | | | | | | | |
| 7BB-41-2CL0 | | ● | | | | | | | | | | | | | | | |
| 7SB-34R7-3C | | | | | | ● | | | | | | | | | | | |
| Piezoelectric Sounder | External Drive Type | PKM13EPYH4000-A0 | ● | | ● | ● | | ● | ● | ● | ● | ● | | ● | ● | ● | |
| | | PKM13EPYH4002-B0 | ● | | ● | ● | | ● | ● | ● | ● | ● | ● | ● | ● | ● | ● |
| | | PKM17EPP-2002-B0 | ● | | ● | ● | | | ● | ● | ● | | ● | ● | ● | ● | ● |
| | | PKM17EPPH4001-B0 | ● | | ● | ● | | | ● | ● | ● | | ● | ● | ● | ● | ● |
| | | PKM17EWH2001 | ● | | ● | ● | | | ● | ● | ● | ● | ● | | ● | | |
| | | PKM17EWH4000 | ● | | ● | ● | | | ● | ● | ● | ● | ● | | ● | | |
| | | PKM22EPH2001 | | | | | | | | ● | | ● | | ● | ● | ● | ● |
| | | PKM22EPPH2001-B0 | ● | | ● | ● | | | | ● | | ● | | ● | ● | ● | ● |
| | | PKM22EPPH4001-B0 | ● | | ● | ● | | | | ● | | ● | | ● | ● | ● | ● |
| | | PKM22EPPH4005-B0 | ● | | ● | ● | | | | ● | | ● | | ● | ● | ● | ● |
| | | PKM22EPPH4007-B0 | ● | | ● | ● | | ● | | ● | | ● | | ● | ● | ● | ● |
| | | PKM22EPTH2001-B0 | | | | | | | | ● | | ● | | ● | ● | ● | |
| | | PKLCS1212E2400-R1 | ● | | | | ● | | | ● | ● | ● | ● | | | ● | |
| | | PKLCS1212E24A0-R1 | | | | | | | | | | | | | | | ● |
| | PKLCS1212E4001-R1 | ● | | | | ● | | | ● | ● | ● | ● | | | ● | | |
| PKLCS1212E40A1-R1 | | | | | | | | | | | | | | | ● | | |
| Self Drive Type | PKM24SPH3805 | ● | | | | | ● | | ● | | | | ● | ● | ● | | |
| Piezoelectric Buzzer | PKB24SPCH3601-B0 | ● | | | ● | | | ● | | ● | ● | ● | | ● | ● | | |
| Piezoelectric Ringer | PKM33EPH1201C | ● | | | | | | | | | | | | | | | |
| | PKM34EWH1101C | ● | | | | | | | | | | | | | | | |
| | PKM34EWH1201C | ● | | | | | | | | | | | | | | | |
| | PKM44EWH1001C | ● | | | | | | | | | | | | | | | |

There are various applications besides those listed in the above table, including:
 Alarm, Laundry Machine, Bath, Intercom, Chime, Back Buzzer, ME Instruments, Measuring Instruments, Vending Machine, Calculator, Automobile, Communication Radio, Hemadynamometer, Thermometer, Facsimile, Audio Timer, Automatic Controlling Devices.

Piezoelectric Sound Components



Piezoelectric Diaphragms

■ Features

1. Clear sound
2. Ultra thin and lightweight
3. No contacts; therefore, noiseless and highly reliable
4. Low power consumption for voltage type

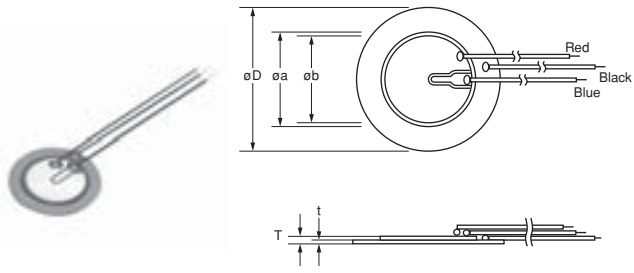
■ Applications

Clocks/Calculators/Digital camera/Various alarms
 (Burglar alarms, etc.)



External Drive Type

| Part Number | Resonant Frequency (kHz) | Resonant Impedance (ohm) | Capacitance (nF) | Plate Size dia. D (mm) | Element Size dia. a (mm) | Electrode Size dia. b (mm) | Thickness T (mm) | Plate Thickness t (mm) | Plate Material |
|-------------|--------------------------|--------------------------|-------------------|------------------------|--------------------------|----------------------------|------------------|------------------------|--|
| 7BB-12-9 | 9.0 ±1.0kHz | 1000 max. | 8.0 ±30% [1kHz] | 12.0 | 9.0 | 8.0 | 0.22 | 0.10 | Brass |
| 7BB-15-6 | 6.0 ±1.0kHz | 800 max. | 10.0 ±30% [1kHz] | 15.0 | 10.0 | 9.0 | 0.22 | 0.10 | Brass |
| 7BB-20-3 | 3.6 ±0.6kHz | 500 max. | 20.0 ±30% [1kHz] | 20.0 | 14.0 | 12.8 | 0.22 | 0.10 | Brass |
| 7BB-20-6 | 6.3 ±0.6kHz | 350 max. | 10.0 ±30% [1kHz] | 20.0 | 14.0 | 12.8 | 0.42 | 0.20 | Brass |
| 7BB-20-6L0 | 6.3 ±0.6kHz | 1000 max. | 10.0 ±30% [1kHz] | 20.0 | 14.0 | 12.8 | 0.42 | 0.20 | Brass (with Lead Wire: AWG32 Length 50mm) |
| 7BB-27-4 | 4.6 ±0.5kHz | 200 max. | 20.0 ±30% [1kHz] | 27.0 | 19.7 | 18.2 | 0.54 | 0.30 | Brass |
| 7BB-27-4L0 | 4.6 ±0.5kHz | 300 max. | 20.0 ±30% [1kHz] | 27.0 | 19.7 | 18.2 | 0.54 | 0.30 | Brass (with Lead Wire: AWG32 Length 50mm) |
| 7BB-35-3 | 2.8 ±0.5kHz | 200 max. | 30.0 ±30% [1kHz] | 35.0 | 25.0 | 23.0 | 0.53 | 0.30 | Brass |
| 7BB-35-3L0 | 2.8 ±0.5kHz | 200 max. | 30.0 ±30% [1kHz] | 35.0 | 25.0 | 23.0 | 0.53 | 0.30 | Brass (with Lead Wire: AWG32 Length 50mm) |
| 7BB-41-2 | 2.2 ±0.3kHz | 250 max. | 30.0 ±30% [1kHz] | 41.0 | 25.0 | 23.0 | 0.63 | 0.40 | Brass |
| 7BB-41-2L0 | 2.2 ±0.3kHz | 300 max. | 30.0 ±30% [1kHz] | 41.0 | 25.0 | 23.0 | 0.63 | 0.40 | Brass (with Lead Wire: AWG32 Length 50mm) |
| 7NB-31R2-1 | 1.3 ±0.5kHz | 300 max. | 40.0 ±30% [120Hz] | 31.2 | 19.7 | 18.2 | 0.22 | 0.10 | Nickel Alloy |



Self Drive Type

| Part Number | Resonant Frequency (kHz) | Resonant Impedance (ohm) | Capacitance (nF) | Plate Size dia. D (mm) | Element Size dia. a (mm) | Electrode Size dia. b (mm) | Thickness T (mm) | Plate Thickness t (mm) | Plate Material |
|-------------|--------------------------|--------------------------|------------------|------------------------|--------------------------|----------------------------|------------------|------------------------|--|
| 7BB-20-6C | 6.3 ±0.6kHz | 500 max. | 8.5 ±30% [1kHz] | 20.0 | 14.0 | 12.8 | 0.42 | 0.20 | Brass |
| 7BB-20-6CLO | 6.3 ±0.6kHz | 800 max. | 8.5 ±30% [1kHz] | 20.0 | 14.0 | 12.8 | 0.42 | 0.20 | Brass (with Lead Wire: AWG32 Length 50mm) |
| 7BB-27-4C | 4.6 ±0.5kHz | 200 max. | 18.0 ±30% [1kHz] | 27.0 | 19.7 | 18.2 | 0.54 | 0.30 | Brass |
| 7BB-27-4CLO | 4.6 ±0.5kHz | 350 max. | 18.0 ±30% [1kHz] | 27.0 | 19.7 | 18.2 | 0.54 | 0.30 | Brass (with Lead Wire: AWG32 Length 50mm) |
| 7BB-35-3C | 2.8 ±0.5kHz | 200 max. | 26.0 ±30% [1kHz] | 35.0 | 25.0 | 23.0 | 0.53 | 0.30 | Brass |
| 7BB-35-3CLO | 2.8 ±0.5kHz | 200 max. | 26.0 ±30% [1kHz] | 35.0 | 25.0 | 23.0 | 0.53 | 0.30 | Brass (with Lead Wire: AWG32 Length 50mm) |
| 7BB-41-2C | 2.2 ±0.3kHz | 250 max. | 24.0 ±30% [1kHz] | 41.0 | 25.0 | 23.0 | 0.63 | 0.40 | Brass |
| 7BB-41-2CLO | 2.2 ±0.3kHz | 350 max. | 24.0 ±30% [1kHz] | 41.0 | 25.0 | 23.0 | 0.63 | 0.40 | Brass (with Lead Wire: AWG32 Length 50mm) |
| 7SB-34R7-3C | 3.1 ±0.3kHz | 150 max. | 24.0 ±30% [1kHz] | 34.7 | 25.0 | 23.4 | 0.50 | 0.25 | Stainless |

■ Node Diameter

| Part Number | Node Diameter (mm) |
|-------------|--------------------|
| 7BB-20-6C | ø13.5 |
| 7BB-27-4C | ø17.5 |
| 7BB-35-3C | ø22.5 |
| 7BB-41-2C | ø26.5 |

• Sound diaphragms without feedback electrode also have the same node diameters.

Piezoelectric Diaphragms Notice

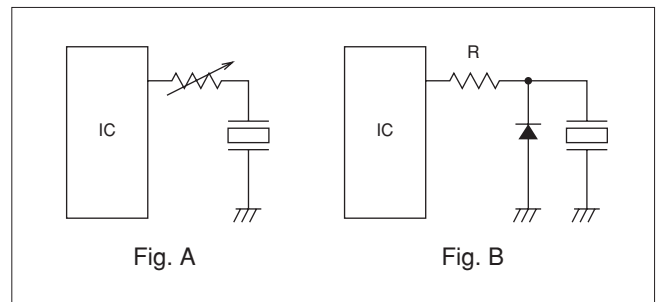
1

■ Notice (Soldering and Mounting)

1. Applying load on the center area of the diaphragm may cause cracking in the ceramic element. When the diaphragm is supported by the edge, the load should be applied only around the edge.
2. Please consult with a Murata representative if soldering of the component is needed.

■ Notice (Handling)

1. Please do not touch the component with a bare hand because the electrode may become corroded.
2. The component may be damaged if mechanical stress exceeding specifications is applied.
3. Take care to protect the operating circuit from surge voltage resulting from excessive force, falling, shock or temperature change.
4. If DC voltage is applied to the component, silver migration may occur. Please strictly avoid subjecting the component to DC voltage for long periods.
5. The resistor should be used as shown in Fig. A.
A suitable resistance value should be chosen, preferably $1\text{k}\Omega$ to $2\text{k}\Omega$. Instead of this measure, a diode may also be applied as shown in Fig. B.



6. Avoid excessive pulling of the lead wire because the wire may break or the soldering point come off.

Piezoelectric Sound Components



Piezoelectric Sounders External Drive Pin Type

2

Microcomputers are widely used for microwave ovens, air conditioners, cars, toys, timers, and alarm equipment. Externally driven piezoelectric sounders are used in digital watches, electronic calculators, telephones and other equipment. They are driven by a signal (ex.: 2048Hz or 4096Hz) from an LSI and provide melodious sound.

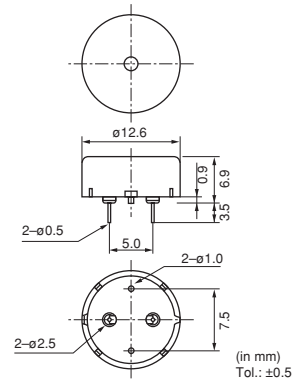
■ Features

1. Low power consumption
2. No contacts; therefore, noiseless and highly reliable

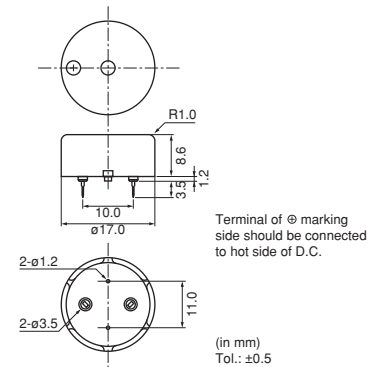
■ Applications

1. Various office equipment such as PPCs, printers and keyboards
2. Audible feedback-response to some action or input.
3. Confirmation sound of various audio equipment

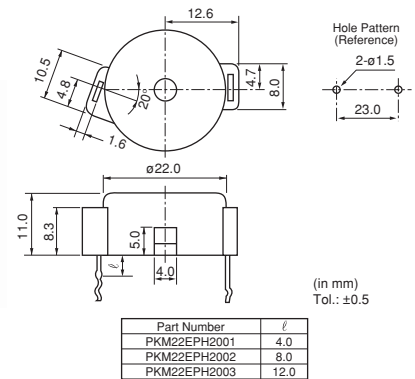
PKM13EPYH4002-B0



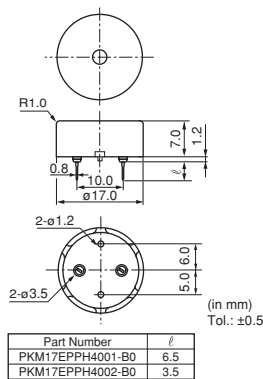
PKM17EPP-2002-B0



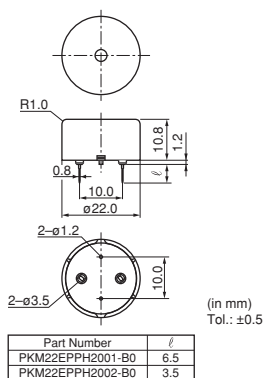
PKM22EPH2001



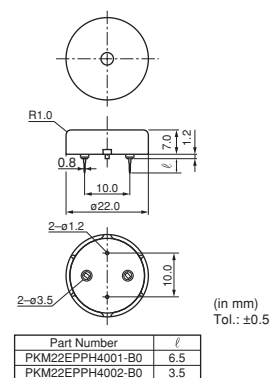
PKM17EPPH4001-B0



PKM22EPPH2001-B0

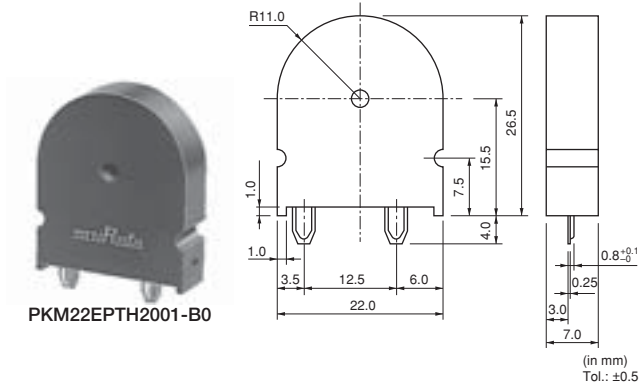
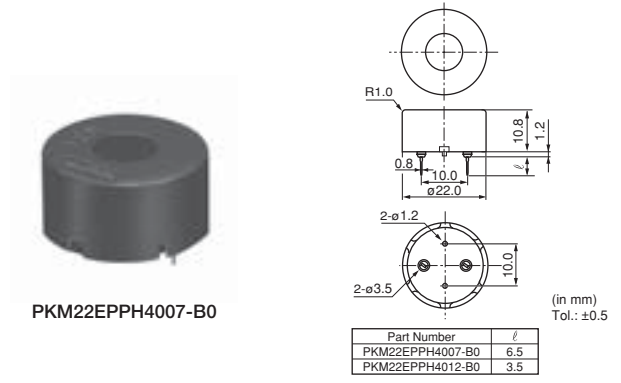
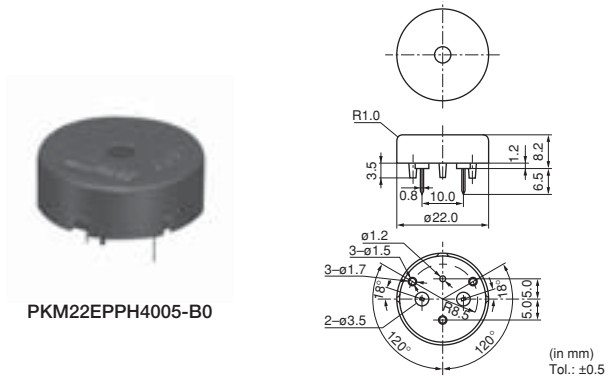


PKM22EPPH4001-B0



Continued on the following page. ↗

Continued from the preceding page.



| Part Number | Sound Pressure Level (dB) | Sound Pressure Level (Ref. only) (dB) | Operating Voltage Range | Capacitance (nF) | Operating Temp. Range (°C) | Storage Temp. Range (°C) |
|------------------|--|--|----------------------------------|----------------------|----------------------------|--------------------------|
| PKM13EPYH4002-B0 | 70 min. [3Vp-p,4kHz,square wave,10cm] | 70 min. [1Vrms,4kHz,sine wave,10cm] | 30.0Vp-p max. | 5.5 ±30% [1kHz] | -40 to +85 | -40 to +85 |
| PKM17EPP-2002-B0 | 70 min. [3Vo-p,2kHz,square wave,10cm] | 70 min. [1Vrms,2kHz,sine wave,10cm] | 25.0Vo-p max. [with polarity] | 34.0 ±30% [120Hz] | -20 to +70 | -30 to +80 |
| PKM17EPPH4001-B0 | 72 min. [3Vp-p,4kHz,square wave,10cm] | 72 min. [1Vrms,4kHz,sine wave,10cm] | 25.0Vp-p max. | 7.0 ±30% [1kHz] | -20 to +70 | -30 to +80 |
| PKM22EPH2001 | 75 min. [3Vp-p,2kHz,square wave,10cm] | 75 min. [1Vrms,2kHz,sine wave,10cm] | 25.0Vp-p max. | 17.0 ±30% [120Hz] | -20 to +70 | -30 to +80 |
| PKM22EPPH2001-B0 | 70 min. [3Vp-p,2kHz,square wave,10cm] | 70 min. [1Vrms,2kHz,sine wave,10cm] | 30.0Vp-p max. | 19.0 ±30% [120Hz] | -20 to +70 | -30 to +80 |
| PKM22EPPH4001-B0 | 75 min. [3Vp-p,4kHz,square wave,10cm] | 75 min. [1Vrms,4kHz,sine wave,10cm] | 30.0Vp-p max. | 12.0 ±30% [1kHz] | -20 to +70 | -30 to +80 |
| PKM22EPPH4005-B0 | 75 min. [3Vp-p,4kHz,square wave,10cm] | 75 min. [1Vrms,4kHz,sine wave,10cm] | 30.0Vp-p max. | 12.0 ±30% [1kHz] | -20 to +70 | -30 to +80 |
| PKM22EPPH4007-B0 | 85 min. [3Vp-p,4kHz,square wave,10cm] | 85 min. [1Vrms,4kHz,sine wave,10cm] | 30.0Vp-p max. | 12.0 ±30% [1kHz] | -20 to +70 | -30 to +80 |
| PKM22EPH2001-B0 | 70 min. [3Vp-p,2kHz,square wave,10cm] | 70 min. [1Vrms,2kHz,sine wave,10cm] | 25.0Vp-p max. | 19.0 ±30% [120Hz] | -20 to +70 | -30 to +80 |

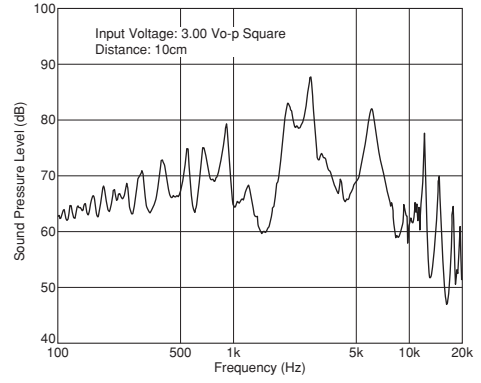
■ Freq. Response (Square Wave 3Vp-p, 10cm)

2

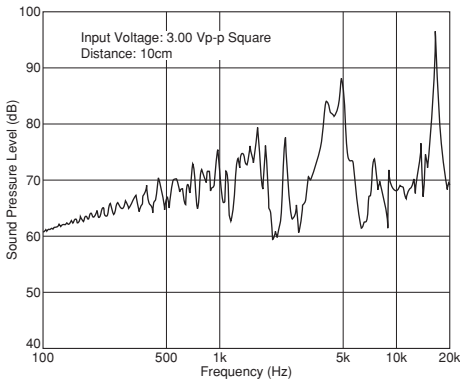
PKM13EPYH4002-B0



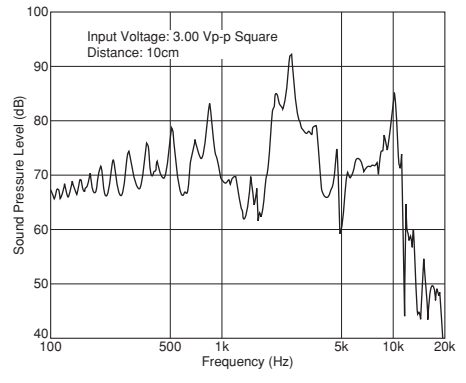
PKM17EPP-2002-B0



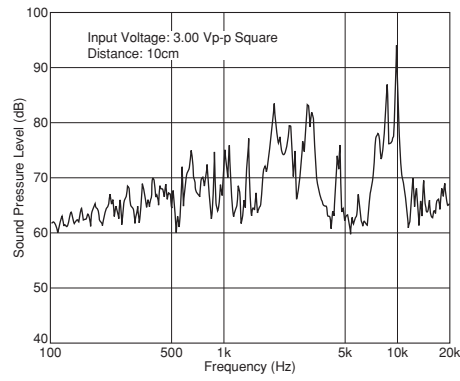
PKM17EPPH4001-B0



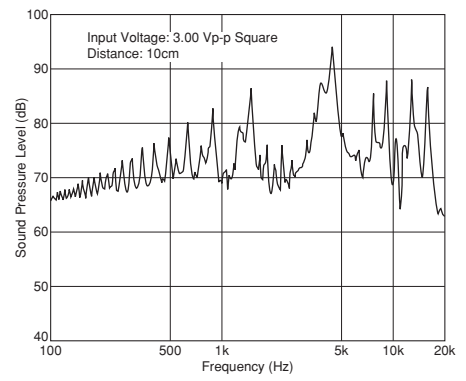
PKM22EPH2001



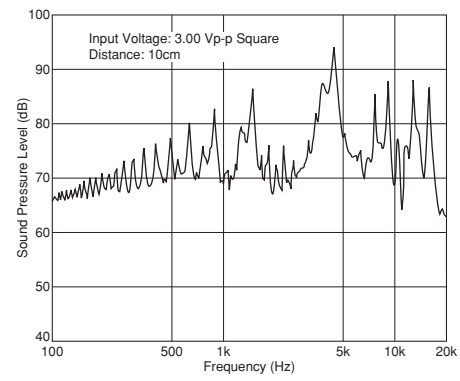
PKM22EPPH2001-B0



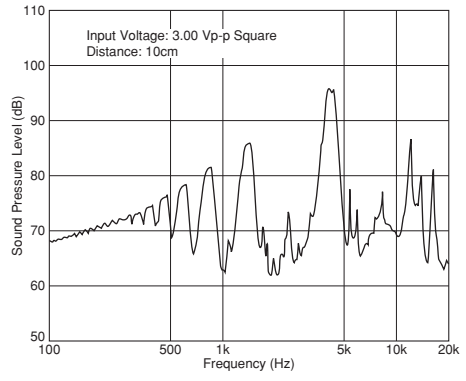
PKM22EPPH4001-B0



PKM22EPPH4005-B0



PKM22EPPH4007-B0

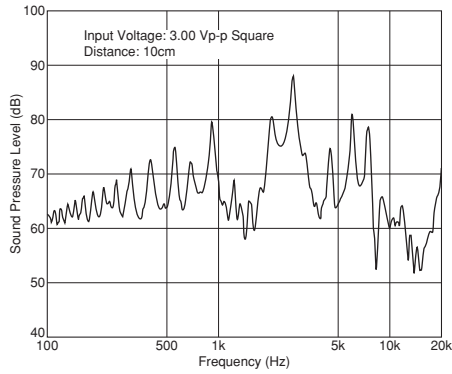


Continued on the following page. ↗

☐ Continued from the preceding page.

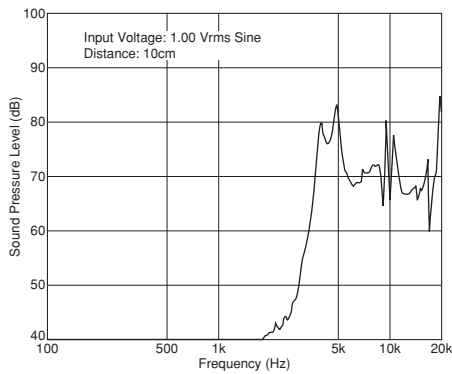
■ Freq. Response (Square Wave 3Vp-p, 10cm)

PKM22EPH2001-B0

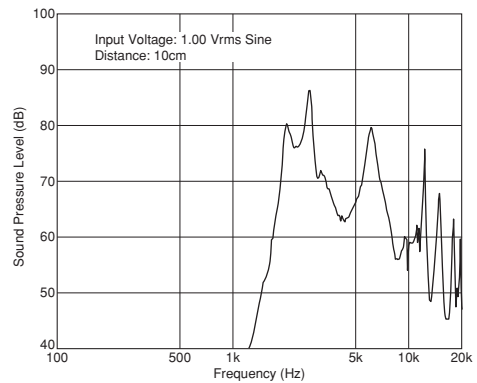


■ Freq. Response (Sine Wave 1Vrms, 10cm)

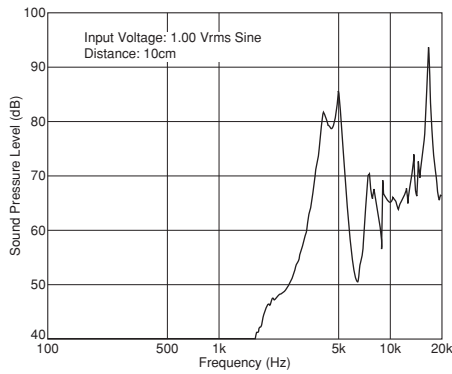
PKM13EPYH4002-B0



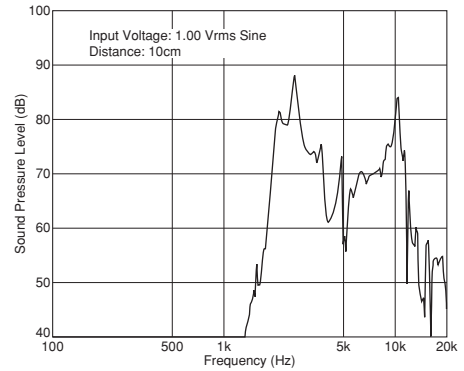
PKM17EPP-2002-B0



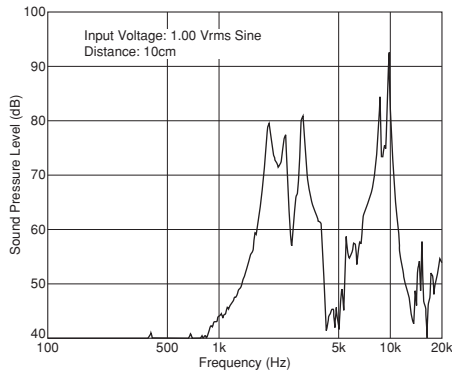
PKM17EPPH4001-B0



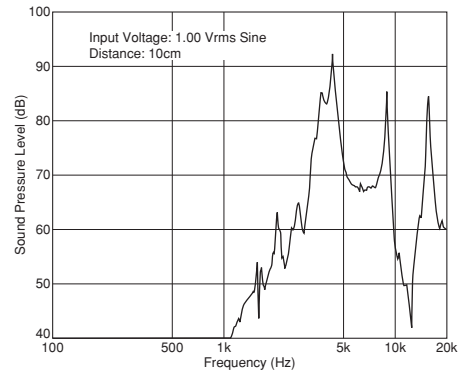
PKM22EPH2001



PKM22EPPH2001-B0



PKM22EPPH4001-B0



Continued on the following page. ☐

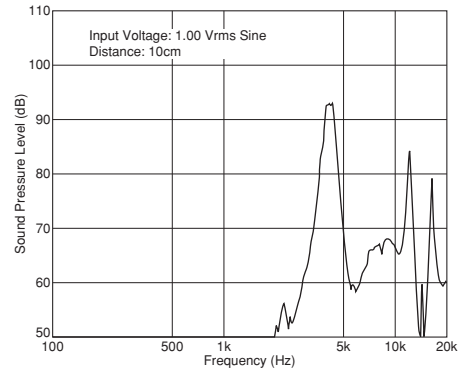
☐ Continued from the preceding page.

■ Freq. Response (Sine Wave 1Vrms, 10cm)

PKM22EPPH4005-B0



PKM22EPPH4007-B0



PKM22EPTH2001-B0

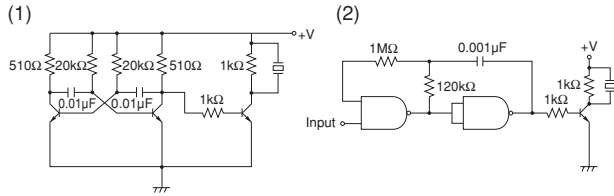


Piezoelectric Sounders (External Drive Pin Type) Circuit/Notice

■ Circuit

The following are examples of externally driven circuits.

- (1) Unstable multi-vibrator using Tr.
- (2) Circuits using inverters or NAND gates.



■ Notice (Soldering and Mounting)

1. Notice (Soldering and Mounting)

(1) Soldering Iron

- (a) Immerse lead terminals up to 1.5mm from component's body in soldering bath of $+260\pm 5^{\circ}\text{C}$ for 10 ± 1.0 seconds, and then leave components in natural conditions for 4 hours.
- (b) Directly contact the lead terminal with the tip of the soldering iron for $+350\pm 5^{\circ}\text{C}$ for 3.0 ± 0.5 seconds, and then leave components in natural conditions for 4 hours.

(2) Reflow

The component cannot withstand reflow soldering.

2. Washing of the component is prohibited because it is not sealed.

3. For Part Numbers mentioned below, please do not insert the component on double-sided PCB with plated through hole. When melted solder touches the base of lead terminal, a part of the plastic case may melt, causing electrical failure.

· Part Number

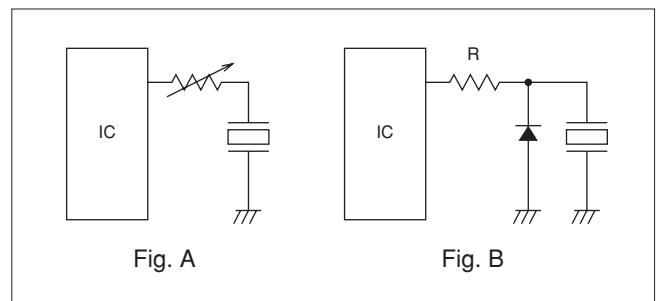
PKM13EPYH4002-B0/PKM17EPP-2002-B0

PKM17EPPH4001-B0/PKM22EPPH2001-B0

PKM22EPPH4001-B0/PKM22EPPH4007-B0

■ Notice (Handling)

1. The component may be damaged if mechanical stress exceeding specifications is applied.
2. Take care to protect the operating circuit from surge voltage resulting from excessive force, falling, shock or temperature change.
3. If DC voltage is applied to the component, silver migration may occur. Please strictly avoid subjecting the component to DC voltage for long periods.
4. The resistor should be used as shown in Fig. A. A suitable resistance value should be chosen, preferably $1\text{k}\Omega$ to $2\text{k}\Omega$. Instead of this measure, a diode may also be applied as shown in Fig. B.



5. Avoid excessive pulling of the lead wire because the wire may break or the soldering point come off.

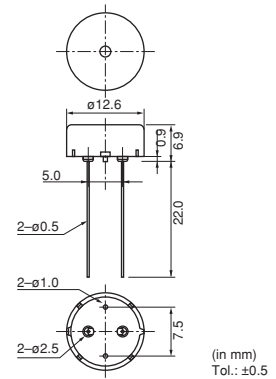
Piezoelectric Sound Components



Piezoelectric Sounders External Drive Pin Type Taping

Taking advantage of extensive automatic insertion design technology and materials experience, Murata has developed standard taping type piezoelectric sounders.

This Murata technology supports labor and cost saving measures.



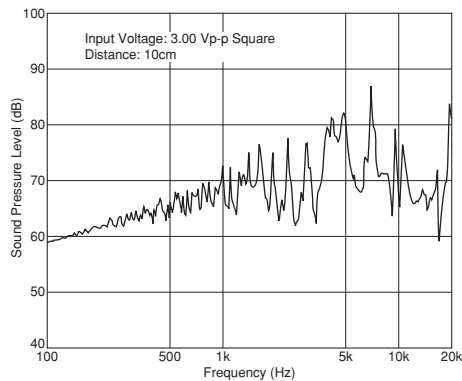
3

■ Features

1. Lead dimension: Improved mounting reliability (cut & clinch) due to round terminal
2. High, stable mountability
3. Ammo packaging

| Part Number | Sound Pressure Level (dB) | Sound Pressure Level (Ref. only) (dB) | Operating Voltage Range | Capacitance (nF) | Operating Temp. Range (°C) | Storage Temp. Range (°C) |
|------------------|--|--|-------------------------|--------------------|----------------------------|--------------------------|
| PKM13EPYH4000-A0 | 70 min. [3Vp-p,4kHz,square wave,10cm] | 70 min. [1Vrms,4kHz,sine wave,10cm] | 30.0Vp-p max. | 5.5 ±30% [1kHz] | -40 to +85 | -40 to +85 |

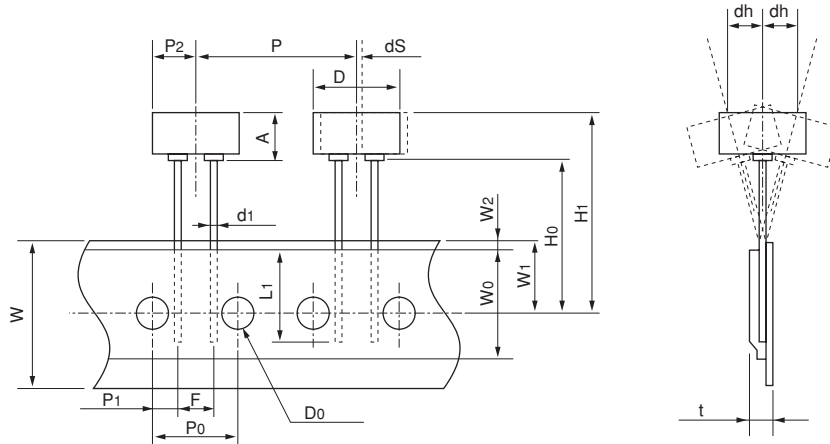
■ Freq. Response (Square Wave 3Vp-p, 10cm)



■ Freq. Response (Sine Wave 1Vrms, 10cm)



■ Taping Dimension



| Item | Code | Nominal Value | Tol. | Notes |
|---|------|---------------|------|--|
| Width of diameter | D | ø12.6 | ±0.5 | |
| Height of component | A | 6.9 | ±0.5 | |
| Dimensions of terminal | d1 | ø0.5 | ±0.1 | |
| Lead length under the hold-down tape | L1 | 8.0 min. | — | |
| Pitch of component | P | 25.4 | ±0.5 | |
| Pitch of sprocket | P0 | 12.7 | ±0.2 | Tolerance for Pitches 10×P0=127±2mm |
| Length from hole center to lead | P1 | 3.85 | ±0.7 | |
| Length from hole center to component center | P2 | 6.35 | ±0.7 | |
| Lead spacing | F | 5.0 | ±0.5 | |
| Slant forward or backward | dh | 0 | ±1.0 | 360°: 1mm max. |
| Width of carrier tape | W | 18.0 | ±0.5 | |
| Width of hold-down tape | W0 | 12.5 min. | — | Hold-down tape does not exceed the carrier tape. |
| Position of sprocket hole | W1 | 9.0 | ±0.5 | |
| Gap of hold-down tape and carrier tape | W2 | 2.0 max. | — | |
| Distance between the center of sprocket hole and lead stopper | H0 | 18.0 | ±0.5 | |
| Total height of component | H1 | 26.0 max. | — | |
| Diameter of sprocket hole | D0 | ø4.0 | ±0.2 | |
| Total thickness of tape | t | 0.6 | ±0.2 | |
| Body tilt | dS | 0 | ±1.0 | |

(in mm)

Piezoelectric Sounders (External Drive Pin Type Taping) Circuit/Notice

■ Circuit

The following are examples of externally driven circuits.

- (1) Unstable multi-vibrator using Tr.
- (2) Circuits using inverters or NAND gates.



3

■ Notice (Soldering and Mounting)

1. Notice (Soldering and Mounting)

(1) Soldering Iron

- (a) Immerse lead terminals up to 1.5mm from component's body in soldering bath of $+260\pm 5^{\circ}\text{C}$ for 10 ± 1.0 seconds, and then leave components in natural conditions for 4 hours.
- (b) Directly contact the lead terminal with the tip of the soldering iron for $+350\pm 5^{\circ}\text{C}$ for 3.0 ± 0.5 seconds, and then leave components in natural conditions for 4 hours.

(2) Reflow

The component cannot withstand reflow soldering.

2. Please do not insert the component on double-sided PCB with plated through hole. When melted solder touches the base of lead terminal, a part of the plastic case may melt, causing electrical failure.
3. Washing of the component is not acceptable. Because it is not sealed.

■ Notice (Handling)

1. The component may be damaged if mechanical stress exceeding specifications is applied.
2. Take care to protect the operating circuit from surge voltage resulting from excessive force, falling, shock or temperature change.
3. If DC voltage is applied to the component, silver migration may occur. Please strictly avoid subjecting the component to DC voltage for long periods.
4. The resistor should be used as shown in Fig. A. A suitable resistance value should be chosen, preferably $1\text{k}\Omega$ to $2\text{k}\Omega$. Instead of this measure, a diode may also be applied as shown in Fig. B.



5. Avoid excessive pulling of the lead wire because the wire may break or the soldering point come off.

Piezoelectric Sound Components



Piezoelectric Sounders External Drive Lead Wire Type

Microcomputers are widely used for microwave ovens, air conditioners, cars, toys, timers, and alarm equipment. Externally driven piezoelectric sounders are used in digital watches, electronic calculators, telephones and other equipment. They are driven by a signal (ex.: 2048Hz or 4096Hz) from an LSI and provide melodious sound.

■ Features

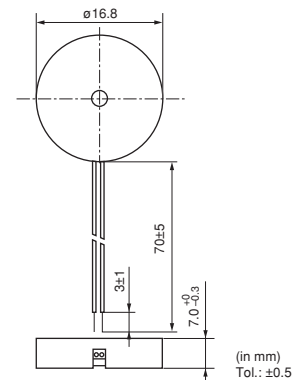
1. Low power consumption
2. No contacts; therefore, noiseless and highly reliable

■ Applications

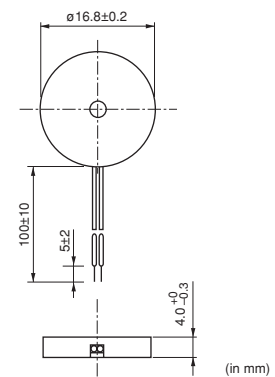
1. Various office equipment such as PPCs, printers and keyboards
2. Audible feedback-response to some action or input.
3. Confirmation sound of various audio equipment



PKM17EWH2001

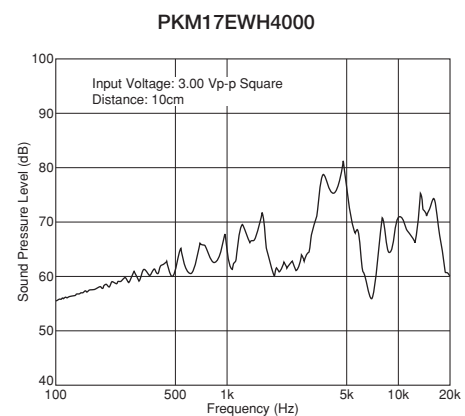
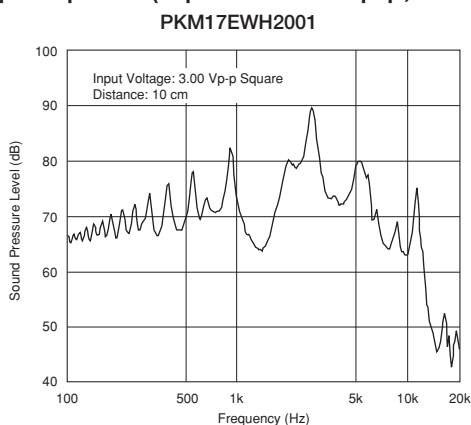


PKM17EWH4000



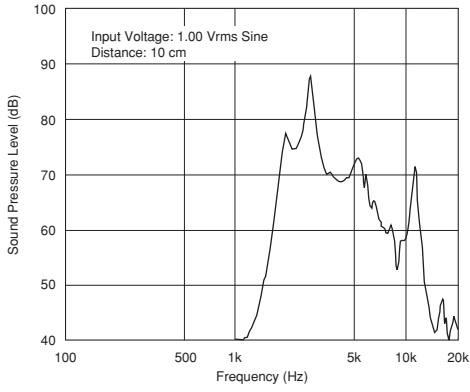
| Part Number | Sound Pressure Level (dB) | Sound Pressure Level (Ref. only) (dB) | Operating Voltage Range | Capacitance (nF) | Operating Temp. Range (°C) | Storage Temp. Range (°C) |
|--------------|--|--|-------------------------|----------------------|----------------------------|--------------------------|
| PKM17EWH2001 | 72 min. [3Vp-p,2kHz,square wave,10cm] | 70 min. [1Vrms,2kHz,sine wave,10cm] | 7.0Vp-p max. | 40.0 ±30% [120Hz] | -20 to +70 | -30 to +80 |
| PKM17EWH4000 | 75 min. [3Vp-p,4kHz,square wave,10cm] | 70 min. [1Vrms,4kHz,sine wave,10cm] | 25.0Vp-p max. | 9.5 ±30% [1kHz] | -20 to +70 | -30 to +80 |

■ Freq. Response (Square Wave 3Vp-p, 10cm)

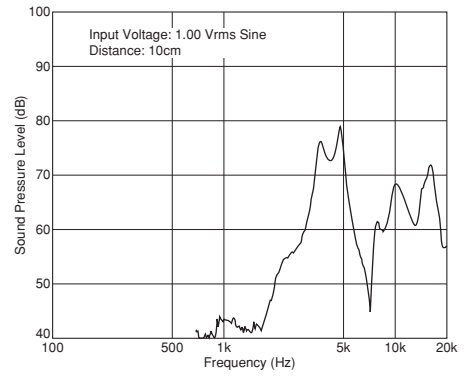


■ Freq. Response (Sine Wave 1Vrms, 10cm)

PKM17EWH2001



PKM17EWH4000



Piezoelectric Sounders (External Drive Lead Wire Type) Circuit/Notice

■ Circuit

The following are examples of externally driven circuits.

- (1) Unstable multi-vibrator using Tr.
- (2) Circuits using inverters or NAND gates.

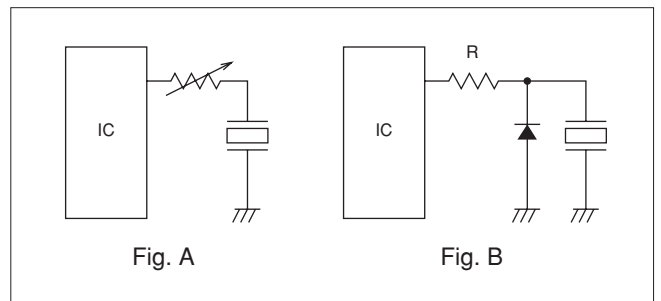


■ Notice (Soldering and Mounting)

Washing of the component is prohibited because it is not sealed.

■ Notice (Handling)

1. The component may be damaged if mechanical stress exceeding specifications is applied.
2. Take care to protect the operating circuit from surge voltage resulting from excessive force, falling, shock or temperature change.
3. If DC voltage is applied to the component, silver migration may occur. Please strictly avoid subjecting the component to DC voltage for long periods.
4. The resistor should be used as shown in Fig. A.
 A suitable resistance value should be chosen, preferably 1kΩ to 2kΩ. Instead of this measure, a diode may also be applied as shown in Fig. B.



5. Avoid excessive pulling of the lead wire because the wire may break or the soldering point come off.

Piezoelectric Sound Components



Piezoelectric Sounders External Drive SMD Type

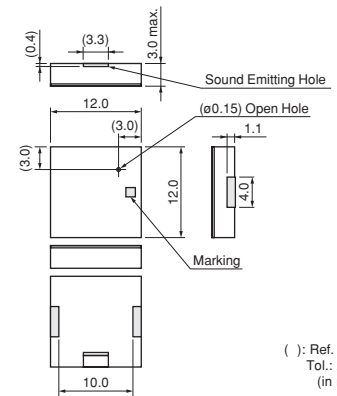
Taking advantage of extensive acoustic and mechanical design technology and high performance ceramics, Murata has developed SMD piezoelectric sounders that suit the thin, high-density design of electronic equipment.

■ Features

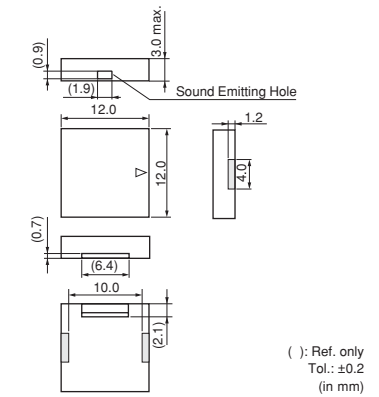
1. Small, thin and lightweight
2. High sound pressure level and clear sound
3. Reflowable
4. Tape & Reel supply



PKLCS1212E2400-R1



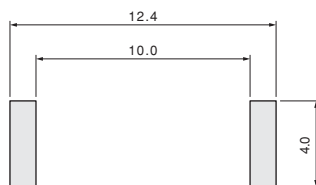
PKLCS1212E4001-R1



5

| Part Number | Sound Pressure Level (dB) | Operating Voltage Range | Operating Temp. Range (°C) | Storage Temp. Range (°C) | Use |
|-------------------|--|-------------------------|----------------------------|--------------------------|----------------------------|
| PKLCS1212E2400-R1 | 75 min.[±1.5 Vo-p,2.4kHz,square wave,10cm] | ±12.5 Vo-p max. | -20 to +70 | -30 to +80 | For consumer electronics |
| PKLCS1212E24A0-R1 | 75 min.[±1.5 Vo-p,2.4kHz,square wave,10cm] | ±12.5 Vo-p max. | -40 to +85 | -40 to +85 | For automotive electronics |
| PKLCS1212E4001-R1 | 75 min.[3Vp-p,4kHz,square wave,10cm] | 25 Vp-p max. | -20 to +70 | -30 to +80 | For consumer electronics |
| PKLCS1212E40A1-R1 | 75 min.[3Vp-p,4kHz,square wave,10cm] | 25 Vp-p max. | -40 to +85 | -40 to +85 | For automotive electronics |

■ Standard Land Pattern Dimensions



(in mm)

■ Freq. Response (Square Wave 3Vp-p, 10cm)

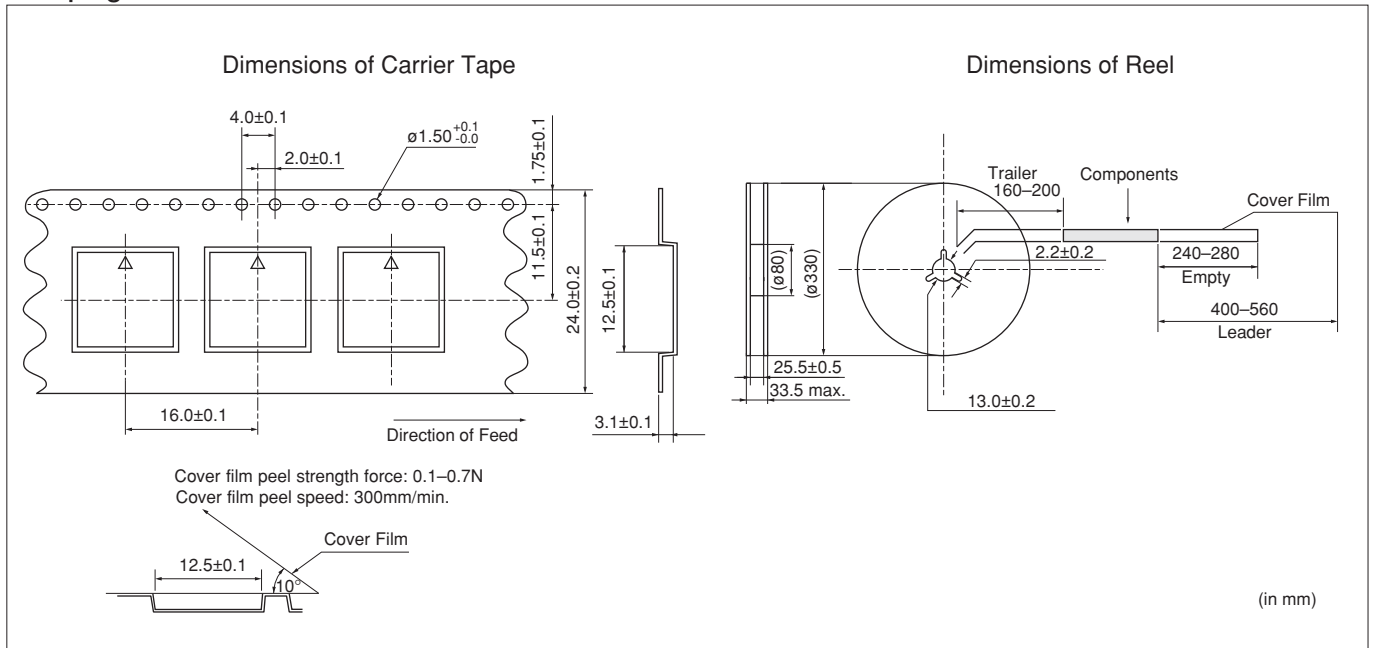
PKLCS1212E2400-R1



PKLCS1212E4001-R1



■ Taping Dimension



Piezoelectric Sounders (External Drive SMD Type) Circuit/Notice

■ Circuit

The following are examples of externally driven circuits.

- (1) Unstable multi-vibrator using Tr.
- (2) Circuits using inverters or NAND gates.



■ Notice (Soldering and Mounting)

Washing of the component is prohibited because it is not sealed.

■ Notice (Handling)

1. The component may be damaged if mechanical stress exceeding specifications is applied.
2. Take care to protect the operating circuit from surge voltage resulting from excessive force, falling, shock or temperature change.
3. If DC voltage is applied to the component, silver migration may occur. Please strictly avoid subjecting the component to DC voltage for long periods.
4. The resistor should be used as shown in Fig. A. A suitable resistance value should be chosen, preferably 1kΩ to 2kΩ. Instead of this measure, a diode may also be applied as shown in Fig. B.



5. Avoid excessive pulling of the lead wire because the wire may break or the soldering point come off.

5

Piezoelectric Sound Components



Piezoelectric Ringers (PIEZORINGER®)

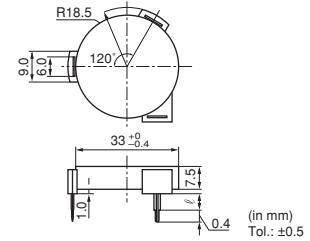
As the result of rapid development of ICs in telephones, demand for piezoelectric sounders as telephone ringers has also rapidly increased. To effectively satisfy this rising demand, Murata provides a suitable piezoelectric sounder called "PIEZORINGER" with the following features.

■ Features

1. Extremely clear sound
2. Since it is voltage driven, the power consumption is negligible.
3. It can be driven directly from ICs.
4. Thin and lightweight



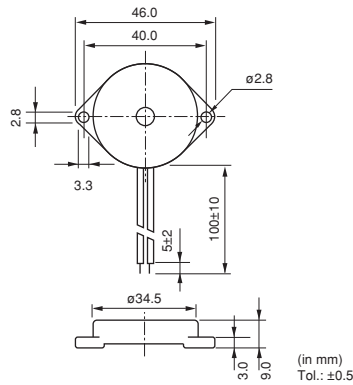
PKM33EPH1201C



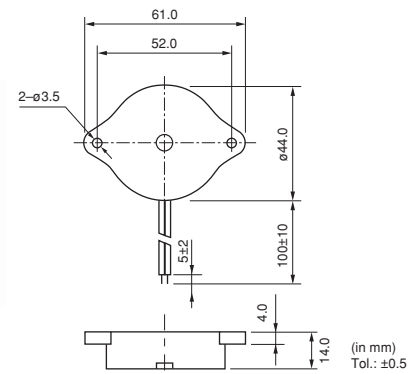
| Part Number | ℓ |
|---------------|-----|
| PKM33EPH1201C | 5.0 |
| PKM33EPH1202C | 0 |



PKM34EWH1101C/1201C



PKM44EWH1001C



Pin Type

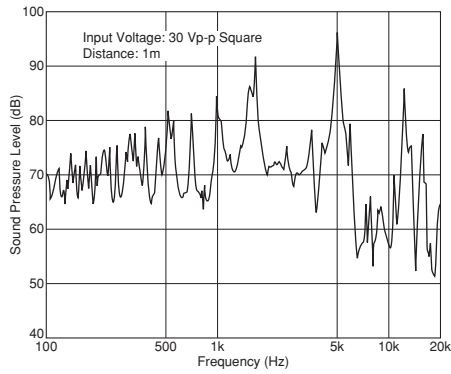
| Part Number | Sound Pressure Level (dB) | Sound Pressure Level (Ref. only) (dB) | Operating Voltage Range | Capacitance (nF) | Operating Temp. Range (°C) | Storage Temp. Range (°C) |
|---------------|--|---|-------------------------|----------------------|----------------------------|--------------------------|
| PKM33EPH1201C | 68 min. [30Vp-p, 1.2kHz, square wave, 1m] | 65 min. [1Vrms, 1.2kHz, sine wave, 10cm] | 40.0Vp-p max. | 40.0 ±30% [120Hz] | -20 to +70 | -30 to +80 |

Lead Wire Type

| Part Number | Sound Pressure Level (dB) | Sound Pressure Level (Ref. only) (dB) | Operating Voltage Range | Capacitance (nF) | Operating Temp. Range (°C) | Storage Temp. Range (°C) |
|---------------|--|---|-------------------------|----------------------|----------------------------|--------------------------|
| PKM34EWH1101C | 70 min. [30Vp-p, 1.1kHz, square wave, 1m] | 60 min. [1Vrms, 1.1kHz, sine wave, 10cm] | 40.0Vp-p max. | 40.0 ±30% [120Hz] | -20 to +70 | -30 to +80 |
| PKM34EWH1201C | 70 min. [30Vp-p, 1.2kHz, square wave, 1m] | 60 min. [1Vrms, 1.2kHz, sine wave, 10cm] | 60.0Vp-p max. | 32.0 ±30% [120Hz] | -20 to +70 | -30 to +80 |
| PKM44EWH1001C | 75 min. [30Vp-p, 1kHz, square wave, 1m] | 70 min. [1Vrms, 1kHz, sine wave, 10cm] | 30.0Vp-p max. | 68.0 ±30% [120Hz] | -20 to +70 | -30 to +80 |

■ Freq. Response (Square Wave 30Vp-p, 1m)

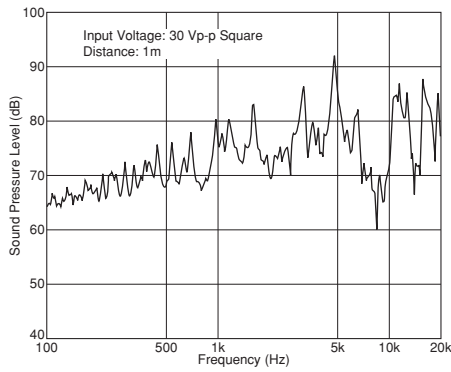
PKM33EPH1201C



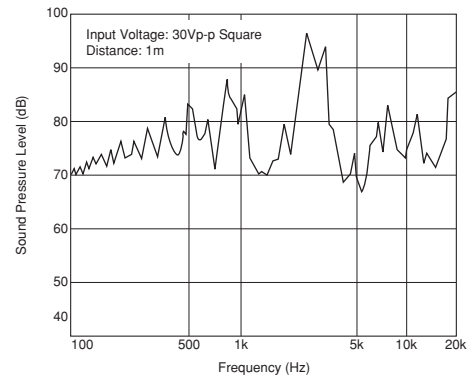
PKM34EWH1101C



PKM34EWH1201C

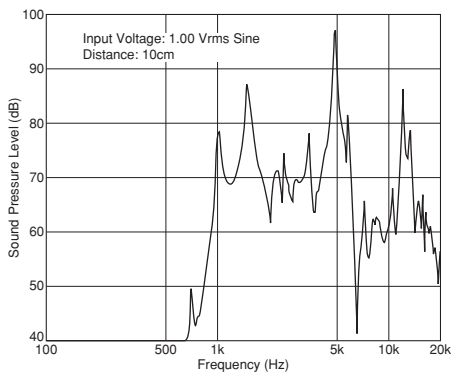


PKM44EWH1001C

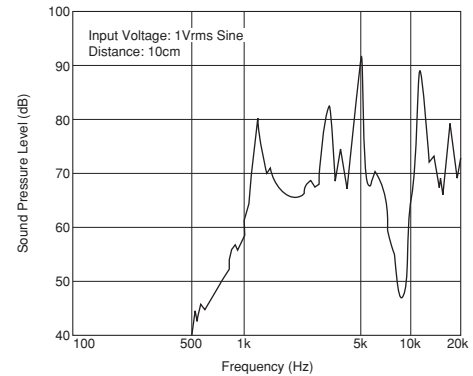


■ Freq. Response (Sine Wave 1Vrms, 10cm)

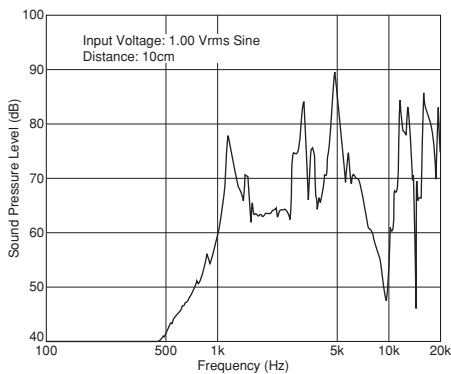
PKM33EPH1201C



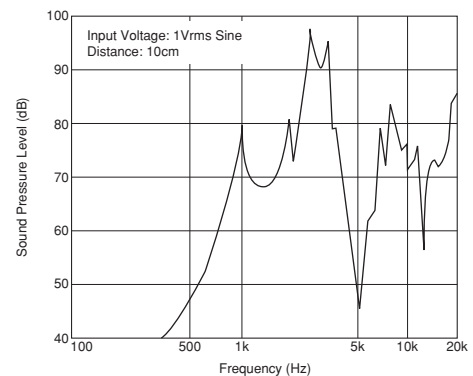
PKM34EWH1101C



PKM34EWH1201C



PKM44EWH1001C



6

Continued on the following page. ↗

Piezoelectric Ringers (PIEZORINGER®) Notice

■ Notice (Soldering and Mounting)

1. Notice (Soldering and Mounting)

(1) Soldering Iron

- (a) Immerse lead terminals up to 1.5mm from component's body in soldering bath of $+260\pm 5^{\circ}\text{C}$ for 10 ± 1.0 seconds, and then leave components in natural conditions for 4 hours.
- (b) Directly contact the lead terminal with the tip of the soldering iron for $+350\pm 5^{\circ}\text{C}$ for 3.0 ± 0.5 seconds, and then leave components in natural conditions for 4 hours.

(2) Reflow

The component cannot withstand reflow soldering.

2. Washing of the component is prohibited because it is not sealed.

■ Notice (Handling)

1. The component may be damaged if mechanical stress exceeding specifications is applied.
2. Take care to protect the operating circuit from surge voltage resulting from excessive force, falling, shock or temperature change.
3. If DC voltage is applied to the component, silver migration may occur. Please strictly avoid subjecting the component to DC voltage for long periods.
4. The resistor should be used as shown in Fig. A.
A suitable resistance value should be chosen, preferably $1\text{k}\Omega$ to $2\text{k}\Omega$. Instead of this measure, a diode may also be applied as shown in Fig. B.



5. Avoid excessive pulling of the lead wire because the wire may break or the soldering point come off.

Piezoelectric Sound Components



Piezoelectric Sounders Self Drive Pin Type

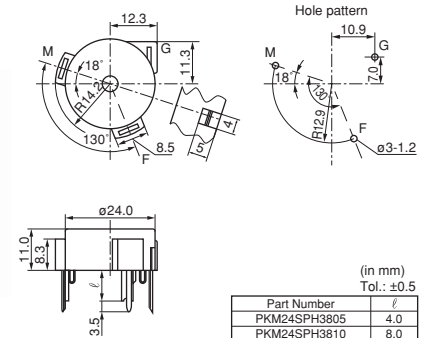
Piezoelectric sounder self drive type requires only a simple circuit and DC power supply. Since this type uses a resonant system, it is also available for alarms that need large sound volume.

Applications

1. Gas alarms, burglar alarms, smoke detectors
2. Air conditioners, microwave ovens, washing machines and other home-electronic appliances controlled by microcomputers
3. Toys, game machines

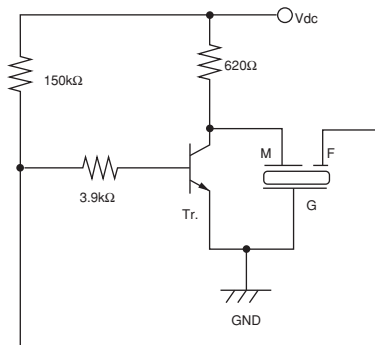


PKM24SPH3805



| Part Number | Sound Pressure Level (dB) | Oscillating Frequency (kHz) | Current Consumption (mA) | Operating Voltage Range | Operating Temp. Range (°C) | Storage Temp. Range (°C) |
|--------------|---------------------------|-----------------------------|--------------------------|-------------------------|----------------------------|--------------------------|
| PKM24SPH3805 | 90 min. [12Vdc, 10cm] | 3.8 ±0.4kHz [12Vdc] | 12 max. [12Vdc] | 3.0 to 20.0Vdc | -20 to +70 | -30 to +80 |

Standard Circuit Examples



Tr: 2SC1815Y or equivalent

Piezoelectric Sounders (Self Drive) Notice

■ Notice (Soldering and Mounting)

1. Notice (Soldering and Mounting)

(1) Soldering Iron

- (a) Immerse lead terminals up to 1.5mm from component's body in soldering bath of $+260\pm 5^{\circ}\text{C}$ for 10 ± 1.0 seconds, and then leave components in natural conditions for 4 hours.
- (b) Directly contact the lead terminal with the tip of the soldering iron for $+350\pm 5^{\circ}\text{C}$ for 3.0 ± 0.5 seconds, and then leave components in natural conditions for 4 hours.

(2) Reflow

The component cannot withstand reflow soldering.

2. Washing of the component is prohibited because it is not sealed.
3. Please do not cover the hole with tape or any other obstacle as this will produce irregular oscillation.
4. Do not place any obstacle within 15mm of the top of the component as this will produce irregular oscillation.

■ Notice (Handling)

1. The component may be damaged if mechanical stress exceeding specifications is applied.
2. Take care to protect the operating circuit from surge voltage resulting from excessive force, falling, shock or temperature change.
3. If DC voltage is applied to the component, silver migration may occur. Please strictly avoid subjecting the component to DC voltage for long periods.

4. The standard self-driven circuits utilizes transistor switching. Since the circuit constants for hfe of the transistor are optimally chosen to maintain stable oscillation, please design a circuit following the standard.

Piezoelectric Sound Components



Piezoelectric Buzzers Pin Type

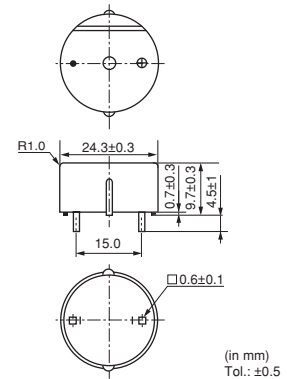
This is a unified piezoelectric sounder that has a piezoelectric diaphragm of 3 terminals connected to a self drive circuit, and it easily generates sound with only a DC power supply (DC3.0-20V). Using a suitably designed resonant system, this type can be used where large sound volumes are needed.

■ Applications

1. Gas alarms, burglar alarms
2. Air conditioners, microwave ovens and various types of microcomputer controlled home-electronic appliances
3. Toys, games, and other simple electronic devices such as teaching aids

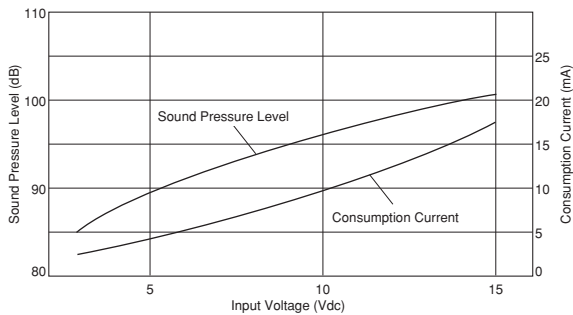


PKB24SPCH3601-B0



| Part Number | Sound Pressure Level (dB) | Oscillating Frequency (kHz) | Current Consumption (mA) | Operating Voltage Range | Operating Temp. Range (°C) | Storage Temp. Range (°C) |
|------------------|---------------------------|-----------------------------|--------------------------|-------------------------|----------------------------|--------------------------|
| PKB24SPCH3601-B0 | 90 min. [12Vdc,10cm] | 3.6 ±0.5kHz [12Vdc] | 16 max. [12Vdc] | 3.0 to 15.0Vdc | -20 to +70 | -30 to +80 |

■ Voltage-Sound Pressure Level/Voltage-Consumption Current



Piezoelectric Buzzers Notice

■ Notice (Soldering and Mounting)

1. Notice (Soldering and Mounting)

(1) Soldering Iron

- (a) Immerse lead terminals up to 1.5mm from component's body in soldering bath of $+260\pm 5^{\circ}\text{C}$ for 10 ± 1.0 seconds, and then leave components in natural conditions for 4 hours.
- (b) Directly contact the lead terminal with the tip of the soldering iron for $+350\pm 5^{\circ}\text{C}$ for 3.0 ± 0.5 seconds, and then leave components in natural conditions for 4 hours.

(2) Reflow

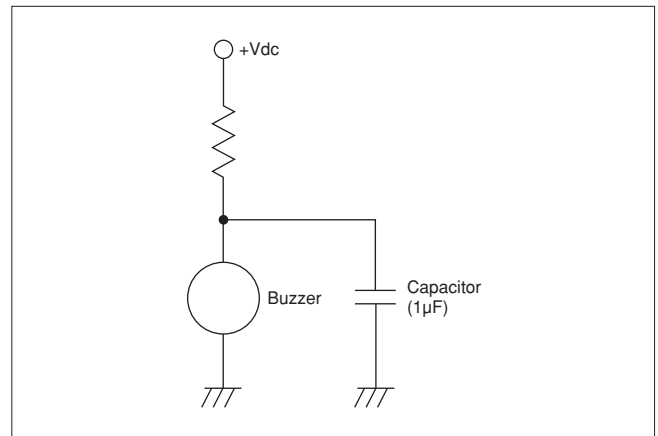
The component cannot withstand reflow soldering.

2. Washing of the component is prohibited because it is not sealed.
3. Please do not cover the hole with tape or any other obstacle as this will produce irregular oscillation.
4. Do not place any obstacle within 15mm of the top of the component as this will produce irregular oscillation.

■ Notice (Handling)

1. The component may be damaged if mechanical stress over this specification is applied.
2. Resistors should not be connected in series to the power supply as this will produce irregular oscillation. When a resistor is necessary to control sound volume, use a capacitor ($1\mu\text{F}$) in parallel with the buzzer together.

3. Avoid excessive pulling of the lead wire because the wire may break or the soldering point come off.



Piezoelectric Sound Components Notice

■ Notice (Storage and Operating Condition)

1. Product Storage Condition

Please store the products in a room where the temperature/humidity is stable and avoid places where there are large temperature changes.

Please store the products under the following conditions:

Temperature: -10 to + 40°C

Humidity: 15 to 85% R.H.

2. Expiration Date on Storage

Expiration date (shelf life) of the products is six months after delivery under the conditions of a sealed and unopened package. Please use the products within six months after delivery. If you store the products for a long time (more than six months), use carefully because the products may be degraded in solderability due to storage under poor conditions.

Please confirm solderability and characteristics for the products regularly.

3. Notice on Product Storage

- (1) Please do not store the products in a chemical atmosphere (Acids, Alkali, Bases, Organic gas, Sulfides and so on), because the characteristics may be reduced in quality, may be degraded in solderability due to storage in a chemical atmosphere.

- (2) Please do not put the products directly on the floor without anything under them to avoid damp places and/or dusty places.

- (3) Please do not store the products in places such as: in a damp heated place or any place exposed to direct sunlight or excessive vibration.

- (4) Please use the products immediately after the package is opened, because the characteristics may be reduced in quality, and/or be degraded in the solderability due to storage under poor conditions.

- (5) Please do not drop the products to avoid cracking of the ceramic element.

4. Other

Please be sure to consult with our sales representative or engineer whenever the products are to be used in conditions not listed above.

Package

■ Minimum Quantity (pcs.)

| Product Names | Part Number | Minimum Quantity | | | |
|------------------------------------|----------------------|-------------------|------------|-----------|-----|
| | | Ø330mm Reel | Bulk (Box) | Ammo Pack | |
| ● Piezoelectric Diaphragms* | | | | | |
| External Drive Types | 7BB-12-9 | | 5120 | | |
| | 7BB-15-6 | | 8000 | | |
| | 7BB-20-3 | | 3000 | | |
| | 7BB-20-6 | | 1800 | | |
| | 7BB-20-6L0 | | 600 | | |
| | 7BB-27-4 | | 1500 | | |
| | 7BB-27-4L0 | | 600 | | |
| | 7BB-35-3 | | 800 | | |
| | 7BB-35-3L0 | | 400 | | |
| | 7BB-41-2 | | 400 | | |
| | 7BB-41-2L0 | | 250 | | |
| | 7NB-31R2-1 | | 3000 | | |
| | Self Drive Types | 7BB-20-6C | | 1800 | |
| | | 7BB-20-6CL0 | | 600 | |
| 7BB-27-4C | | | 1500 | | |
| 7BB-27-4CL0 | | | 600 | | |
| 7BB-35-3C | | | 800 | | |
| 7BB-35-3CL0 | | | 400 | | |
| 7BB-41-2C | | | 600 | | |
| 7BB-41-2CL0 | | | 250 | | |
| ● Piezoelectric Sounders* | External Drive Types | PKLCS1212E2400-R1 | 1000 | | |
| | | PKLCS1212E24A0-R1 | 1000 | | |
| | | PKLCS1212E4001-R1 | 1000 | | |
| | | PKLCS1212E40A1-R1 | 1000 | | |
| | | PKM13EPYH4000-A0 | | | 500 |
| | | PKM13EPYH4002-B0 | | 330 | |
| | | PKM17EPP-2002-B0 | | 200 | |
| | | PKM17EPPH4001-B0 | | 200 | |
| | | PKM17EPPH4002-B0 | | 200 | |
| | | PKM17EWH2001 | | 250 | |
| | | PKM17EWH4000 | | 500 | |
| | | PKM22EPH2001 | | 360 | |
| | | PKM22EPH2002 | | 270 | |
| | | PKM22EPH2003 | | 270 | |
| | | PKM22EPPH2001-B0 | | 750 | |
| | | PKM22EPPH2002-B0 | | 750 | |
| | | PKM22EPPH4001-B0 | | 900 | |
| | | PKM22EPPH4002-B0 | | 900 | |
| | | PKM22EPPH4005-B0 | | 750 | |
| | | PKM22EPPH4007-B0 | | 750 | |
| | | PKM22EPPH4012-B0 | | 750 | |
| | PKM22EPH2001-B0 | | 300 | | |

Continued on the following page. 

"Minimum Quantity" means the number of units of each delivery or order. The quantity should be an integral multiple of the "Minimum Quantity." (As for products series with *mark, bulk (bag) quantities shown here differ from actual delivery quantities in a package) Please contact the nearest sales office for details and for any other products not listed above.

Package

☐ Continued from the preceding page.

| Product Names | Part Number | Minimum Quantity | | |
|---|------------------|------------------|------------|-----------|
| | | Ø330mm Reel | Bulk (Box) | Ammo Pack |
| Self Drive Types | PKM24SPH3801 | | 270 | |
| | PKM24SPH3805 | | 360 | |
| | PKM24SPH3807 | | 270 | |
| | PKM24SPH3810 | | 270 | |
| ● Piezoelectric Buzzers* | PKB24SPCH3601-B0 | | 650 | |
| ● Piezoelectric Ringers (PIEZORINGER®)* | PKM33EPH1201C | | 300 | |
| | PKM33EPH1202C | | 60 | |
| | PKM34EWH1101C | | 25 | |
| | PKM34EWH1201C | | 25 | |
| | PKM44EWH1001C | | 25 | |

⚠Note:

1. Export Control

<For customers outside Japan>

No Murata products should be used or sold, through any channels, for use in the design, development, production, utilization, maintenance or operation of, or otherwise contribution to (1) any weapons (Weapons of Mass Destruction [nuclear, chemical or biological weapons or missiles] or conventional weapons) or (2) goods or systems specially designed or intended for military end-use or utilization by military end-users.

<For customers in Japan>

For products which are controlled items subject to the "Foreign Exchange and Foreign Trade Law" of Japan, the export license specified by the law is required for export.

2. Please contact our sales representatives or product engineers before using the products in this catalog for the applications listed below, which require especially high reliability for the prevention of defects which might directly damage a third party's life, body or property, or when one of our products is intended for use in applications other than those specified in this catalog.

- | | |
|-----------------------------|--|
| ① Aircraft equipment | ② Aerospace equipment |
| ③ Undersea equipment | ④ Power plant equipment |
| ⑤ Medical equipment | ⑥ Transportation equipment (vehicles, trains, ships, etc.) |
| ⑦ Traffic signal equipment | ⑧ Disaster prevention / crime prevention equipment |
| ⑨ Data-processing equipment | ⑩ Application of similar complexity and/or reliability requirements to the applications listed above |

3. Product specifications in this catalog are as of November 2011. They are subject to change or our products in it may be discontinued without advance notice.

Please check with our sales representatives or product engineers before ordering. If there are any questions, please contact our sales representatives or product engineers.

4. Please read rating and ⚠CAUTION (for storage, operating, rating, soldering, mounting and handling) in this catalog to prevent smoking and/or burning, etc.

5. This catalog has only typical specifications because there is no space for detailed specifications. Therefore, please review our product specifications or consult the approval sheet for product specifications before ordering.

6. Please note that unless otherwise specified, we shall assume no responsibility whatsoever for any conflict or dispute that may occur in connection with the effect of our and/or a third party's intellectual property rights and other related rights in consideration of your use of our products and/or information described or contained in our catalogs. In this connection, no representation shall be made to the effect that any third parties are authorized to use the rights mentioned above under licenses without our consent.

7. No ozone depleting substances (ODS) under the Montreal Protocol are used in our manufacturing process.

 **Murata Manufacturing Co., Ltd.**

<http://www.murata.com/>

Head Office
1-10-1, Higashi Kotari, Nagaokakyo-shi, Kyoto 617-8555, Japan
Phone: 81-75-951-9111

International Division
3-29-12, Shibuya, Shibuya-ku, Tokyo 150-0002, Japan
Phone: 81-3-5469-6123 Fax: 81-3-5469-6155 E-mail: intl@murata.co.jp

Компания «Океан Электроники» предлагает заключение долгосрочных отношений при поставках импортных электронных компонентов на взаимовыгодных условиях!

Наши преимущества:

- Поставка оригинальных импортных электронных компонентов напрямую с производств Америки, Европы и Азии, а так же с крупнейших складов мира;
- Широкая линейка поставок активных и пассивных импортных электронных компонентов (более 30 млн. наименований);
- Поставка сложных, дефицитных, либо снятых с производства позиций;
- Оперативные сроки поставки под заказ (от 5 рабочих дней);
- Экспресс доставка в любую точку России;
- Помощь Конструкторского Отдела и консультации квалифицированных инженеров;
- Техническая поддержка проекта, помощь в подборе аналогов, поставка прототипов;
- Поставка электронных компонентов под контролем ВП;
- Система менеджмента качества сертифицирована по Международному стандарту ISO 9001;
- При необходимости вся продукция военного и аэрокосмического назначения проходит испытания и сертификацию в лаборатории (по согласованию с заказчиком);
- Поставка специализированных компонентов военного и аэрокосмического уровня качества (Xilinx, Altera, Analog Devices, Intersil, Interpoint, Microsemi, Actel, Aeroflex, Peregrine, VPT, Syfer, Eurofarad, Texas Instruments, MS Kennedy, Miteq, Cobham, E2V, MA-COM, Hittite, Mini-Circuits, General Dynamics и др.);

Компания «Океан Электроники» является официальным дистрибьютором и эксклюзивным представителем в России одного из крупнейших производителей разъемов военного и аэрокосмического назначения «JONHON», а так же официальным дистрибьютором и эксклюзивным представителем в России производителя высокотехнологичных и надежных решений для передачи СВЧ сигналов «FORSTAR».



JONHON

«JONHON» (основан в 1970 г.)

Разъемы специального, военного и аэрокосмического назначения:

(Применяются в военной, авиационной, аэрокосмической, морской, железнодорожной, горно- и нефтедобывающей отраслях промышленности)

«FORSTAR» (основан в 1998 г.)

ВЧ соединители, коаксиальные кабели, кабельные сборки и микроволновые компоненты:

(Применяются в телекоммуникациях гражданского и специального назначения, в средствах связи, РЛС, а так же военной, авиационной и аэрокосмической отраслях промышленности).



Телефон: 8 (812) 309-75-97 (многоканальный)

Факс: 8 (812) 320-03-32

Электронная почта: ocean@oceanchips.ru

Web: <http://oceanchips.ru/>

Адрес: 198099, г. Санкт-Петербург, ул. Калинина, д. 2, корп. 4, лит. А