

The S-5842A Series is a dual trip temperature switch IC (thermostat IC) which detects two points of temperature. The S-5842A Series operates at the power supply voltage of 2.5 V and the lower current consumption of 10 μ A typ. A temperature sensor with the negative temperature coefficient, a reference voltage generation circuit, a comparator and a delay circuit are integrated on one chip, and enclosed into the packages SOT-23-6 and SNT-6A.

■ Features

- | | |
|--|---|
| • Detection temperature: | Detection temperature = -10°C to $+110^{\circ}\text{C}$, $+1^{\circ}\text{C}$ step |
| • Accuracy of detection temperature: | $\pm 2.5^{\circ}\text{C}$ (Only for either detection temperature) |
| • Low voltage operation: | $V_{\text{DD}} = 2.5 \text{ V min.}$ (Detection temperature = $+20^{\circ}\text{C}$ to $+110^{\circ}\text{C}$)
$V_{\text{DD}} = 2.7 \text{ V min.}$ (Detection temperature = 0°C to $+110^{\circ}\text{C}$)
$V_{\text{DD}} = 2.8 \text{ V min.}$ (Detection temperature = -10°C to $+110^{\circ}\text{C}$) |
| • Low current consumption: | $I_{\text{DD}} = 10 \mu\text{A typ.}$ ($T_{\text{a}} = +25^{\circ}\text{C}$) |
| • Selectable output form: | CMOS output, Nch open-drain output |
| • Selectable output type: | Separate, Integrate |
| • Selectable output logic: | "H", "L" |
| • Operation temperature range: | $T_{\text{a}} = -40^{\circ}\text{C}$ to $+125^{\circ}\text{C}$ |
| • Lead-free, Sn 100%, halogen-free ^{*1} | |

*1. Refer to "■ Product Name Structure" for details.

■ Applications

- Fan control
- Air-conditioning system
- Mobile phone
- Game console
- Various electronics devices

■ Packages

- SOT-23-6
- SNT-6A

■ Block Diagrams

1. CMOS output product (Output type: Separate)

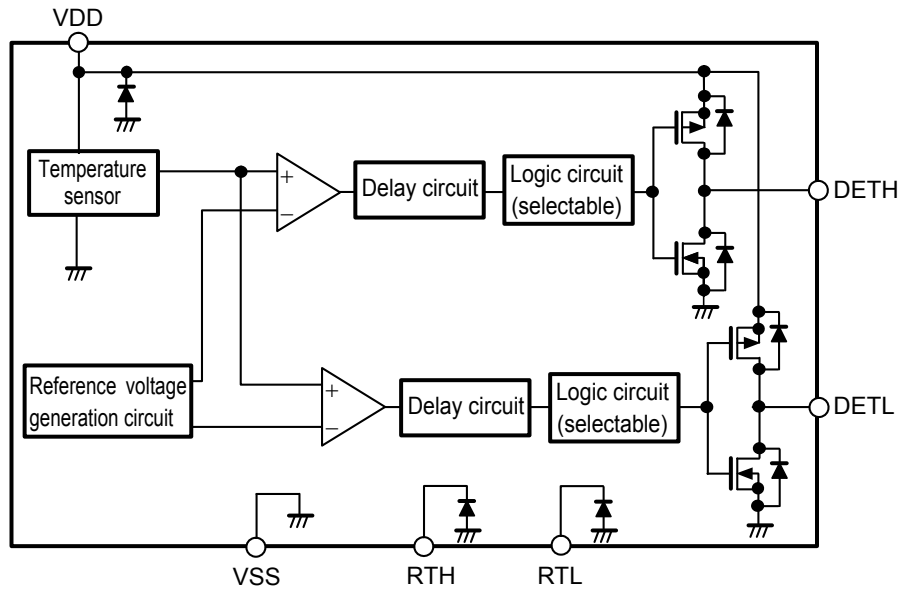


Figure 1

2. Nch open-drain output product (Output type: Separate)

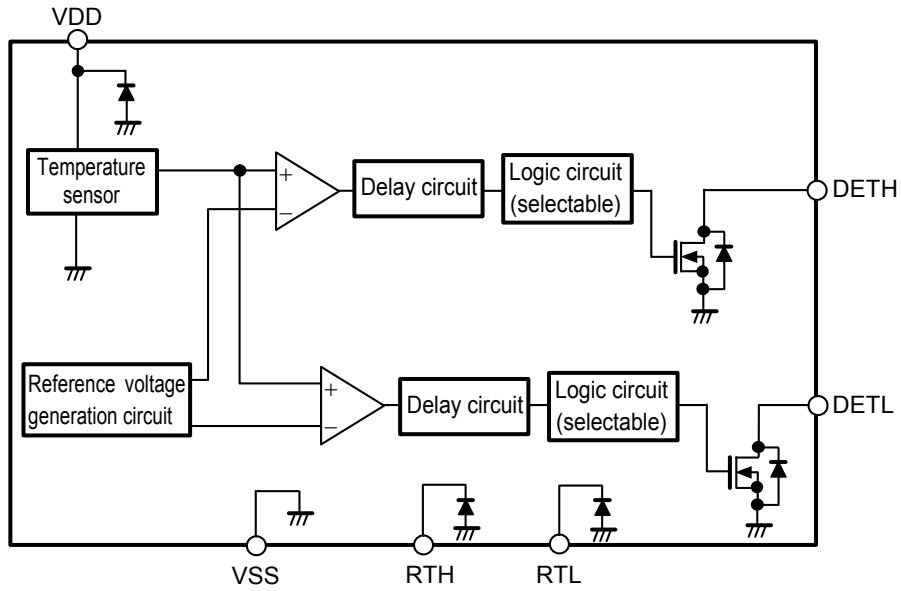


Figure 2

3. CMOS output product (Output type: Integrate)

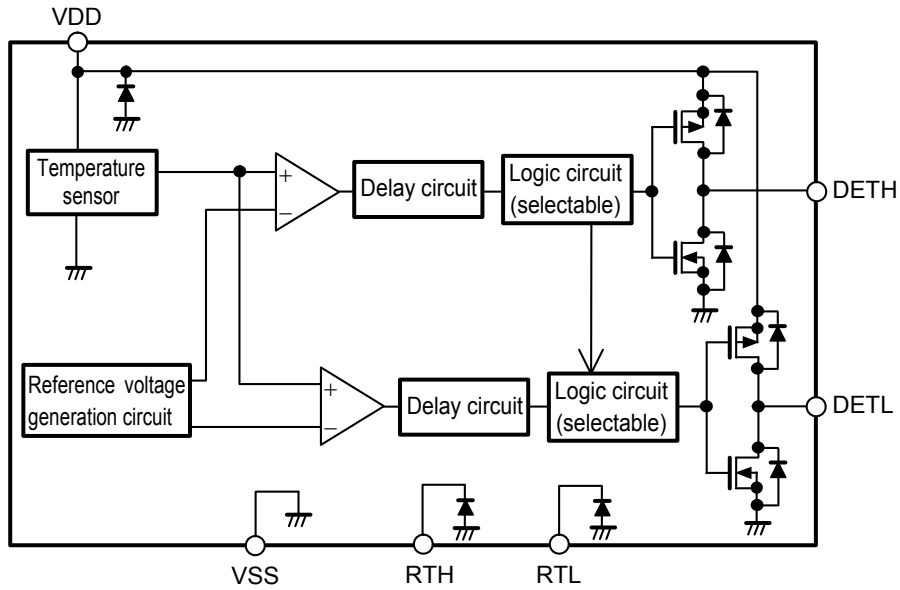


Figure 3

4. Nch open-drain output product (Output type: Integrate)

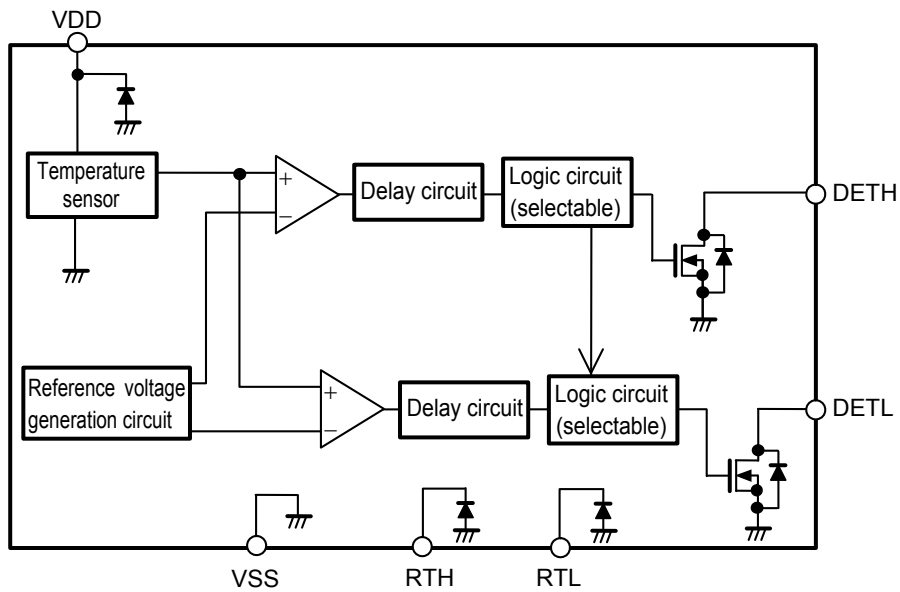


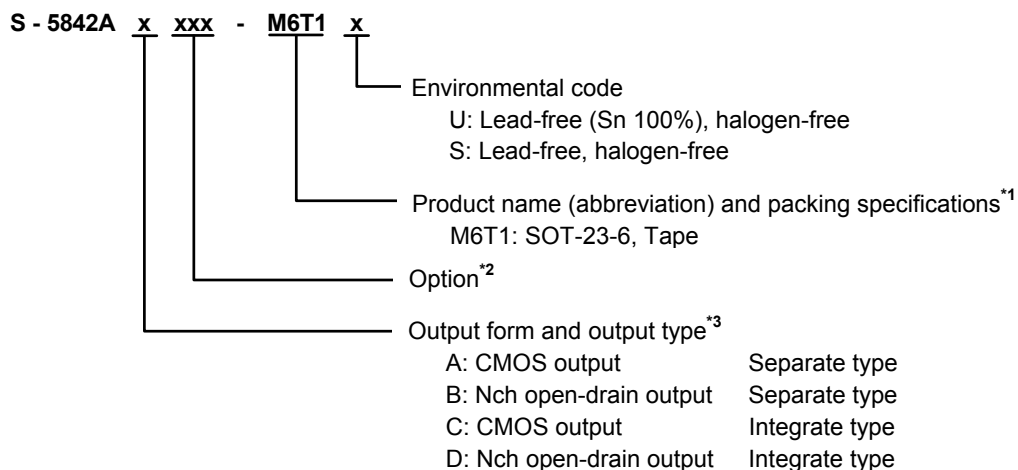
Figure 4

■ Product Name Structure

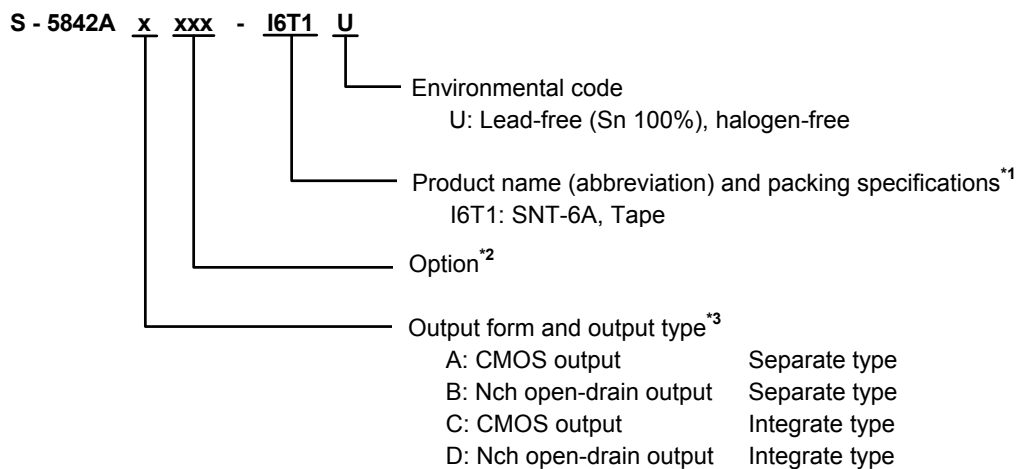
Users are able to select the output form and type, option for detection temperature's spec and package for the S-5842A Series.

1. Product name

1.1 SOT-23-6



1.2 SNT-6A



*1. Refer to the tape drawing.

*2. Refer to "■ Selection of Product Option". Settings are available in alphabetical order as AAA to ZZZ.

*3. Refer to "■ Selection of Product Option".

2. Packages

Table 1 Package Drawing Codes

Package Name	Dimension	Tape	Reel	Land
SOT-23-6	MP006-A-P-SD	MP006-A-C-SD	MP006-A-R-SD	—
SNT-6A	PG006-A-P-SD	PG006-A-C-SD	PG006-A-R-SD	PG006-A-L-SD

3. Product name list

3.1 SOT-23-6

Table 2

Product Name	Output Form and Type	Option for Detection Temperature's Spec							
		DETH Pin (for Higher Temperature)				DETL Pin (for Lower Temperature)			
		Detection Temperature (T _{DH})	Accuracy of Detection Temperature ^{*1}	Hysteresis Temperature (T _{HYSH})	Output Logic	Detection Temperature (T _{DL})	Accuracy of Detection Temperature ^{*1}	Hysteresis Temperature (T _{HYSL})	Output Logic
S-5842AAAAF-M6T1y	CMOS, Separate	+95°C	–	–5°C	"L"	+55°C	±2.5°C	–5°C	"L"
S-5842AAAAG-M6T1y	CMOS, Separate	+60°C	–	–5°C	"H"	0°C	±2.5°C	+5°C	"L"
S-5842AAAAL-M6T1U	CMOS, Separate	+45°C	±2.5°C	–2°C	"H"	0°C	–	+2°C	"H"
S-5842AAAAN-M6T1y	CMOS, Separate	+50°C	–	–5°C	"L"	+40°C	±2.5°C	–5°C	"L"
S-5842ACAAM-M6T1y	CMOS, Integrate	+45°C	–	–2°C	"L"	0°C	±2.5°C	–2°C	"L"

*1 Either of two detection temperatures (T_{DH}, T_{DL}), an accuracy of ±2.5°C is set only for the one that user specifies a higher accuracy than the other (T_{DH}, T_{DL}).

Remark 1. Please contact our sales office for products other than those specified above. Refer to "■ Selection of Product Option" for details.

2. y: S or U

3. Please select products of environmental code = U for Sn 100%, halogen-free products.

3.2 SNT-6A

Table 3

Product Name	Output Form and Type	Option for Detection Temperature's Spec							
		DETH Pin (for Higher Temperature)				DETL Pin (for Lower Temperature)			
		Detection Temperature (T _{DH})	Accuracy of Detection Temperature *1	Hysteresis Temperature (T _{HYSH})	Output Logic	Detection Temperature (T _{DL})	Accuracy of Detection Temperature *1	Hysteresis Temperature (T _{HYSL})	Output Logic
S-5842AAAAL-I6T1U	CMOS, Separate	+45°C	±2.5°C	-2°C	"H"	0°C	-	+2°C	"H"
S-5842AAAAT-I6T1U	CMOS, Separate	+45°C	-	-2°C	"H"	0°C	±2.5°C	+2°C	"L"
S-5842ABAAA-I6T1U	Nch open-drain, Separate	+62°C	-	+2°C	"H"	-3°C	±2.5°C	-2°C	"L"
S-5842ABAAC-I6T1U	Nch open-drain, Separate	+60°C	-	-2°C	"H"	0°C	±2.5°C	+2°C	"L"
S-5842ABAAJ-I6T1U	Nch open-drain, Separate	+40°C	-	-2°C	"H"	+5°C	±2.5°C	+2°C	"L"
S-5842ABAAP-I6T1U	Nch open-drain, Separate	+70°C	-	-5°C	"L"	+50°C	±2.5°C	-5°C	"H"
S-5842ABA AV-I6T1U	Nch open-drain, Separate	+65°C	-	-5°C	"L"	+50°C	±2.5°C	-5°C	"L"
S-5842ABA AW-I6T1U	Nch open-drain, Separate	+62°C	-	-2°C	"H"	+2°C	±2.5°C	-2°C	"H"
S-5842ABA AX-I6T1U	Nch open-drain, Separate	+55°C	-	-5°C	"H"	-10°C	±2.5°C	+5°C	"L"
S-5842ACA AS-I6T1U	CMOS, Integrate	+45°C	-	-2°C	"L"	0°C	±2.5°C	+2°C	"L"
S-5842ADA AH-I6T1U	Nch open-drain, Integrate	+70°C	±2.5°C	-5°C	"L"	+5°C	-	-5°C	"H"
S-5842ADA AK-I6T1U	Nch open-drain, Integrate	+60°C	±2.5°C	-5°C	"L"	+5°C	-	-5°C	"H"
S-5842ADA AQ-I6T1U	Nch open-drain, Integrate	+60°C	-	-2°C	"H"	0°C	±2.5°C	+2°C	"L"

*1 Either of two detection temperatures (T_{DH}, T_{DL}), an accuracy of ±2.5°C is set only for the one that user specifies a higher accuracy than the other (T_{DH}, T_{DL}).

Remark Please contact our sales office for products other than those specified above. Refer to "■ Selection of Product Option" for details.

■ **Pin Configurations**

1. SOT-23-6



Figure 5

Table 4

Pin No.	Symbol	Description
1	VDD	Power supply pin
2	DETL	Output pin for lower temperature detection
3	RTL ^{*1}	TEST pin
4	RTH ^{*2}	TEST pin
5	VSS	GND pin
6	DETH	Output pin for higher temperature detection

*1. Set the RTL pin open in use.

*2. Set the RTH pin open in use.

2. SNT-6A



Figure 6

Table 5

Pin No.	Symbol	Description
1	DETH	Output pin for higher temperature detection
2	VSS	GND pin
3	RTH ^{*1}	TEST pin
4	RTL ^{*2}	TEST pin
5	DETL	Output pin for lower temperature detection
6	VDD	Power supply pin

*1. Set the RTH pin open in use.

*2. Set the RTL pin open in use.

■ Absolute Maximum Ratings

Table 6

(Ta = +25°C unless otherwise specified)

Item		Symbol	Absolute Maximum Rating	Unit
Power supply voltage ($V_{SS} = 0$ V)		V_{DD}	$V_{SS} + 6.5$	V
Pin voltage		V_{RTH}, V_{RTL}	$V_{SS} - 0.3$ to $V_{DD} + 0.3$	V
Output voltage	CMOS output product	V_{DETH}, V_{DETL}	$V_{SS} - 0.3$ to $V_{DD} + 0.3$	V
	Nch open-drain output product		$V_{SS} - 0.3$ to $V_{SS} + 6.5$	V
Output pin current		I_{OHH}, I_{OHL}	13	mA
		I_{OLH}, I_{OLL}	13	mA
Power dissipation	SOT-23-6	P_D	650^{*1}	mW
	SNT-6A		400^{*1}	mW
Operation ambient temperature		T_{opr}	-40 to +125	°C
Storage temperature		T_{stg}	-65 to +150	°C

*1. When mounted on board

[Mounted board]

- (1) Board size : 114.3 mm × 76.2 mm × t1.6 mm
- (2) Board name : JEDEC STANDARD51-7

Caution The absolute maximum ratings are rated values exceeding which the product could suffer physical damage. These values must therefore not be exceeded under any conditions.

■ DC Electrical Characteristics

1. CMOS output product

Table 7

(Ta = +25°C unless otherwise specified)

Item	Symbol	Condition	Min.	Typ.	Max.	Unit	Test Circuit
Power supply voltage	V _{DD}	Detection temperature = +20°C to +110°C	2.5	–	5.5	V	1
		Detection temperature = 0°C to +110°C	2.7	–	5.5	V	1
		Detection temperature = –10°C to +110°C	2.8	–	5.5	V	1
Detection temperature* ¹	T _{DH} or T _{DL}	–	T _{DET} – 2.5	T _{DET}	T _{DET} + 2.5	°C	1
Difference of detection temperature* ²	ΔT _D	V _{DD} = 3.5 V	–	ΔT _{DET}	–	°C	1
Hysteresis temperature of DETH pin* ³	T _{HYSH}	V _{DD} = 3.5 V	–	–5, –2, +2, +5	–	°C	1
Hysteresis temperature of DETL pin* ³	T _{HYSL}	V _{DD} = 3.5 V	–	–5, –2, +2, +5	–	°C	1
Output current "H" of DETH pin	I _{OHH}	V _{DD} = 3.5 V, V _{DETH} = 3.0 V	0.5	3.2	–	mA	2
Output current "H" of DETL pin	I _{OHL}	V _{DD} = 3.5 V, V _{DETL} = 3.0 V	0.5	3.2	–	mA	2
Output current "L" of DETH pin	I _{OLH}	V _{DD} = 3.5 V, V _{DETH} = 0.5 V	0.5	3.0	–	mA	2
Output current "L" of DETL pin	I _{OLL}	V _{DD} = 3.5 V, V _{DETL} = 0.5 V	0.5	3.0	–	mA	2
Current consumption during operation	I _{DD}	V _{DD} = 3.5 V	–	10	16	μA	1

- *1. T_{DET}: set value for detection temperature, T_{DH}: actual detection temperature for higher temperature, T_{DL}: actual detection temperature for lower temperature
 Either of two detection temperatures (T_{DH}, T_{DL}), an accuracy of ±2.5°C is set only for the one that user specifies a higher accuracy than the other (T_{DH}, T_{DL}).
- *2. ΔT_{DET}: set value for detection temperature for higher temperature – set value for detection temperature for lower temperature
 ΔT_D: actual difference of detection temperature
 Set two points of detection temperature so that the difference of detection temperature (ΔT_{DET}) is in 0°C to 65°C. Users are able to set ΔT_{DET} in 0°C, 5°C, 10°C ... 60°C, 65°C.
- *3. Users are able to select the hysteresis temperature in –5°C, –2°C, +2°C, or +5°C.

[Fahrenheit ↔ Celsius Conversion equation]

$$^{\circ}\text{C} = (^{\circ}\text{F} - 32) \times 5 / 9$$

$$^{\circ}\text{F} = 32 + ^{\circ}\text{C} \times 9 / 5$$

2. Nch open-drain output product

Table 8

(Ta = +25°C unless otherwise specified)

Item	Symbol	Condition	Min.	Typ.	Max.	Unit	Test Circuit
Power supply voltage	V _{DD}	Detection temperature = +20°C to +110°C	2.5	–	5.5	V	1
		Detection temperature = 0°C to +110°C	2.7	–	5.5	V	1
		Detection temperature = –10°C to +110°C	2.8	–	5.5	V	1
Detection temperature* ¹	T _{DH} or T _{DL}	–	T _{DET} – 2.5	T _{DET}	T _{DET} + 2.5	°C	1
Difference of detection temperature* ²	ΔT _D	V _{DD} = 3.5 V	–	ΔT _{DET}	–	°C	1
Hysteresis temperature of DETH pin* ³	T _{HYSH}	V _{DD} = 3.5 V	–	–5, –2, +2, +5	–	°C	1
Hysteresis temperature of DETL pin* ³	T _{HYSL}	V _{DD} = 3.5 V	–	–5, –2, +2, +5	–	°C	1
Leakage current of DETH pin	I _{LEAKH}	V _{DD} = 3.5 V, V _{DETH} = 5.5 V	–	–	100	nA	2
Leakage current of DETL pin	I _{LEAKL}	V _{DD} = 3.5 V, V _{DETL} = 5.5 V	–	–	100	nA	2
Output current "L" of DETH pin	I _{OLH}	V _{DD} = 3.5 V, V _{DETH} = 0.5 V	0.5	3.0	–	mA	2
Output current "L" of DETL pin	I _{OLL}	V _{DD} = 3.5 V, V _{DETL} = 0.5 V	0.5	3.0	–	mA	2
Current consumption during operation	I _{DD}	V _{DD} = 3.5 V	–	10	16	μA	1

- *1. T_{DET}: set value for detection temperature, T_{DH}: actual detection temperature for higher temperature, T_{DL}: actual detection temperature for lower temperature
 Either of two detection temperatures (T_{DH}, T_{DL}), an accuracy of ±2.5°C is set only for the one that user specifies a higher accuracy than the other (T_{DH}, T_{DL}).
- *2. ΔT_{DET}: set value for detection temperature for higher temperature – set value for detection temperature for lower temperature
 ΔT_D: actual difference of detection temperature
 Set two points of detection temperature so that the difference of detection temperature (ΔT_{DET}) is in 0°C to 65°C. Users are able to set ΔT_{DET} in 0°C, 5°C, 10°C ... 60°C, 65°C.
- *3. Users are able to select the hysteresis temperature in –5°C, –2°C, +2°C, or +5°C.

[Fahrenheit ↔ Celsius Conversion equation]

$$^{\circ}\text{C} = (^{\circ}\text{F} - 32) \times 5 / 9$$

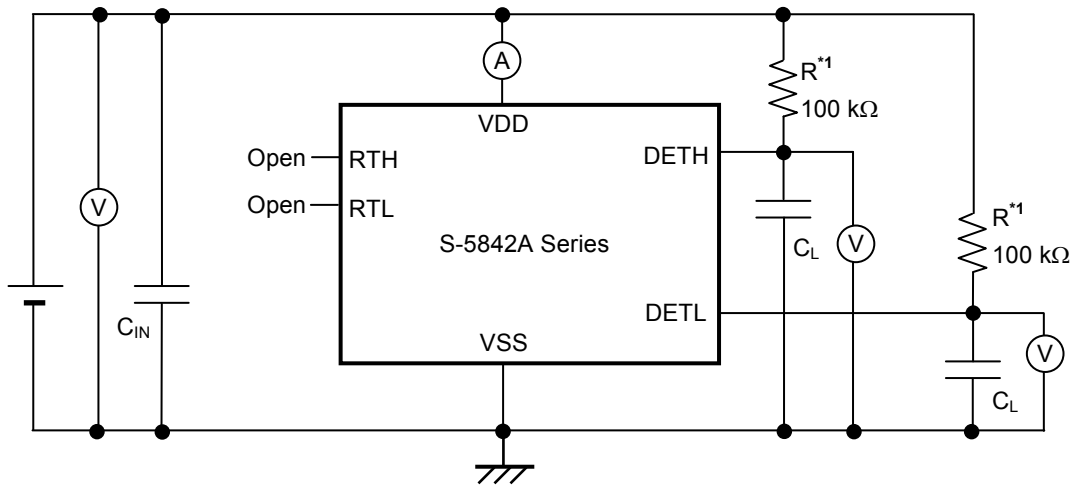
$$^{\circ}\text{F} = 32 + ^{\circ}\text{C} \times 9 / 5$$

■ AC Electrical Characteristics

Table 9

Item	Symbol	Condition	Min.	Typ.	Max.	Unit	Test Circuit
Noise suppression time	t _{delay}	V _{DD} = 3.5 V, Ta = detection temperature	–	550	–	μs	–

■ Test Circuits



*1. Resistor (R) is unnecessary for the CMOS output product.

Figure 7 Test Circuit 1

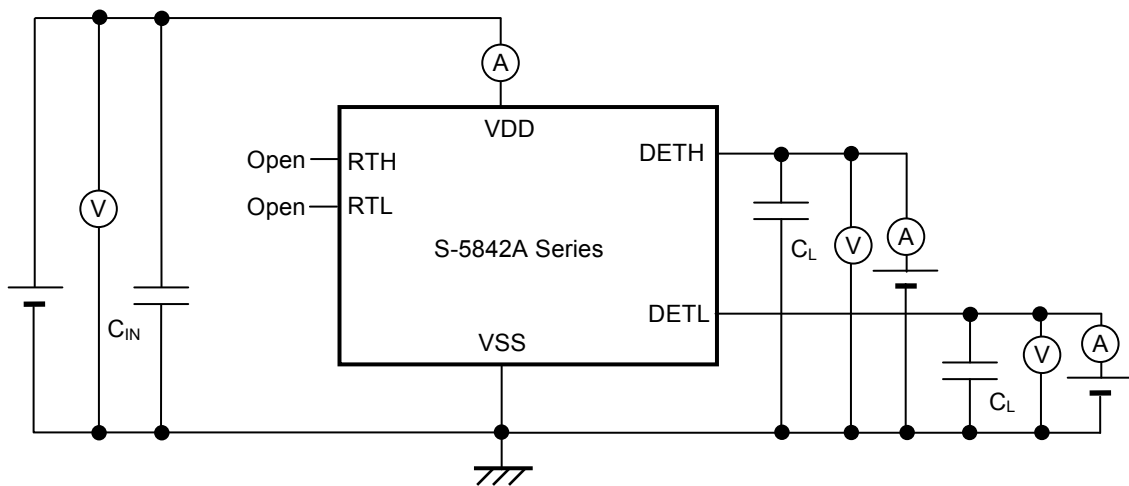


Figure 8 Test Circuit 2

■ Selection of Product Option

1. Description of product option

The S-5842A Series is a temperature switch IC (thermostat IC) which detects two points of temperature, and outputs a signal to the exterior.

Users are able to select the combination of output type, form and logic, two detection temperatures (T_{DH} , T_{DL}), and hysteresis temperature (T_{HYSH} , T_{HYSL}).

Output form: Set the output logic for each DETH pin and DETL pin.

- CMOS output
- Nch open-drain output

Output type: for DETH pin and DETL pin, users are able to select two types of output as follows.

- Separate type: The DETH pin's output inverts during detection of higher temperature
The DETL pin's output inverts during detection of lower temperature
- Integrate type: The DETH pin's output inverts during detection of higher temperature
The DETL pin's output inverts during detection of higher and lower temperature

Detection temperature (T_{DH} , T_{DL}):

T_{DH} is the detection temperature for higher temperature, T_{DL} is the detection temperature for lower temperature. Of two points of detection temperatures (T_{DH} , T_{DL}), select the detection temperature that is to be set the higher accuracy ($\pm 2.5^\circ\text{C}$ accuracy).^{*1}

- The detection temperature for higher temperature is selectable in $+20^\circ\text{C}$ to $+110^\circ\text{C}$, in 1°C step.
- The detection temperature for lower temperature is selectable in -10°C to $+110^\circ\text{C}$, in 1°C step.
- Set two points of detection temperature so that the difference of detection temperature (ΔT_{DET}) is in 0°C to 65°C . Users are able to set ΔT_{DET} in 0°C , 5°C , 10°C ... 60°C , 65°C .

The minimum operation voltage varies according to the detection temperature for lower temperature.

- Detection temperature = $+20^\circ\text{C}$ to $+110^\circ\text{C}$: $V_{DD} = 2.5 \text{ V min.}$
- Detection temperature = 0°C to $+110^\circ\text{C}$: $V_{DD} = 2.7 \text{ V min.}$
- Detection temperature = -10°C to $+110^\circ\text{C}$: $V_{DD} = 2.8 \text{ V min.}$

^{*1} Either of two detection temperatures (T_{DH} , T_{DL}), an accuracy of $\pm 2.5^\circ\text{C}$ is set only for the one that user specifies a higher accuracy than the other (T_{DH} , T_{DL}).

Hysteresis temperature (T_{HYSH} , T_{HYSL}):

T_{HYSH} is the hysteresis temperature for detection temperature for higher temperature, T_{HYSL} is the hysteresis temperature for detection temperature for lower temperature. These are selectable in -5°C , -2°C , $+2^\circ\text{C}$, or $+5^\circ\text{C}$.

- -5°C : Output recovers when temperature has dropped to 5°C from the detection temperature.
- -2°C : Output recovers when temperature has dropped to 2°C from the detection temperature.
- $+2^\circ\text{C}$: Output recovers when temperature has risen to 2°C from the detection temperature.
- $+5^\circ\text{C}$: Output recovers when temperature has risen to 5°C from the detection temperature.

Output logic: Set the output logic for each DETH, DETL pin in $T_a >$ detection temperature (T_{DH} , T_{DL}) or release temperature ($T_{DH} + T_{HYSH}$, $T_{DL} + T_{HYSL}$).

- (1) Hysteresis temperature: -5°C , -2°C
 - The output logic is "H" in $T_a >$ detection temperature
 - The output logic is "L" in $T_a >$ detection temperature
- (2) Hysteresis temperature: $+2^\circ\text{C}$, $+5^\circ\text{C}$
 - The output logic is "H" in $T_a >$ release temperature
 - The output logic is "L" in $T_a >$ release temperature

2. Example of product spec

Example of Product Spec	Operation
<p>Output form: CMOS output Output type: Separate type</p> <p>[DETH pin] Detection voltage: T_{DH} Hysteresis temperature: $T_{HYSH} (< 0)$ Output logic: "H"</p> <p>[DETL pin] Detection voltage: T_{DL} Hysteresis temperature: $T_{HYSL} (< 0)$ Output logic: "H"</p>	<p style="text-align: center;">Figure 9 Operation for CMOS Output and Separate Type</p>
<p>Output form: CMOS output Output type: Integrate type</p> <p>[DETH pin] Detection temperature: T_{DH} Hysteresis temperature: $T_{HYSH} (< 0)$ Output logic: "H"</p> <p>[DETL pin] Detection temperature: T_{DL} Hysteresis temperature: $T_{HYSL} (< 0)$ Output logic: "H"</p>	<p style="text-align: center;">Figure 10 Operation for CMOS Output and Integrate Type</p>

■ Operation

1. Separate type

The followings are the operation with its specs when the S-5842A Series is Separate type. The timing chart is shown in Figure 11.

- Output form and type: CMOS output, Separate type
- Option : DETH pin Detection temperature $T_{DH} = +95^{\circ}\text{C}$
 Hysteresis temperature $T_{HYSH} = -5^{\circ}\text{C}$
 Output logic "H"
- DETL pin Detection temperature $T_{DL} = +55^{\circ}\text{C}$
 Hysteresis temperature $T_{HYSL} = -5^{\circ}\text{C}$
 Output logic "H"

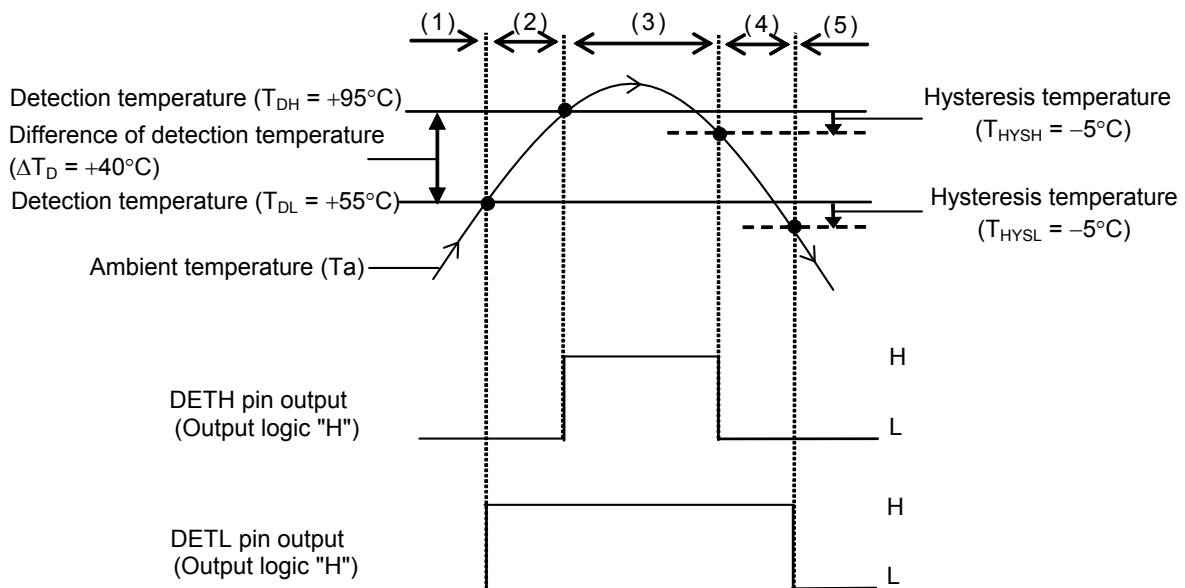


Figure 11 Timing Chart for CMOS Output and Separate Type

Detecting the temperature is started after power-on.

In case;

- (1) Ambient temperature (Ta) < detection temperature ($T_{DL} = +55^{\circ}\text{C}$)
The DETH pin output and the DETL pin output keep "L".
- (2) The ambient temperature (Ta) rises;
detection temperature ($T_{DL} = +55^{\circ}\text{C}$) < ambient temperature (Ta) < detection temperature ($T_{DH} = +95^{\circ}\text{C}$)
The DETH pin output keeps "L", the DETL pin output gets "H".
- (3) Furthermore, the ambient temperature (Ta) rises;
ambient temperature (Ta) > detection temperature ($T_{DH} = +95^{\circ}\text{C}$)
The DETL pin output keeps "H", the DETH pin output gets "H".
- (4) After that, the ambient temperature (Ta) falls;
release temperature ($T_{DH} + T_{HYSH} = +90^{\circ}\text{C}$) > ambient temperature (Ta) > release temperature ($T_{DL} + T_{HYSL} = +50^{\circ}\text{C}$)
The DETH pin output gets "L", the DETL pin output keeps "H".
- (5) Furthermore the ambient temperature (Ta) falls;
ambient temperature (Ta) < release temperature ($T_{DL} + T_{HYSL} = +50^{\circ}\text{C}$)
The DETH pin output keeps "L", the DETL pin output gets "L".

2. Integrate type

The followings are the operation with its specs when the S-5842A Series is Separate type. The timing chart is shown in **Figure 12**.

- Output form and type: CMOS output, Integrate type
- Option : DETH pin Detection temperature $T_{DH} = +95^{\circ}C$
Hysteresis temperature $T_{HYSH} = -5^{\circ}C$
Output logic "H"
- DETL pin Detection temperature $T_{DL} = +55^{\circ}C$
Hysteresis temperature $T_{HYSL} = -5^{\circ}C$
Output logic "H"

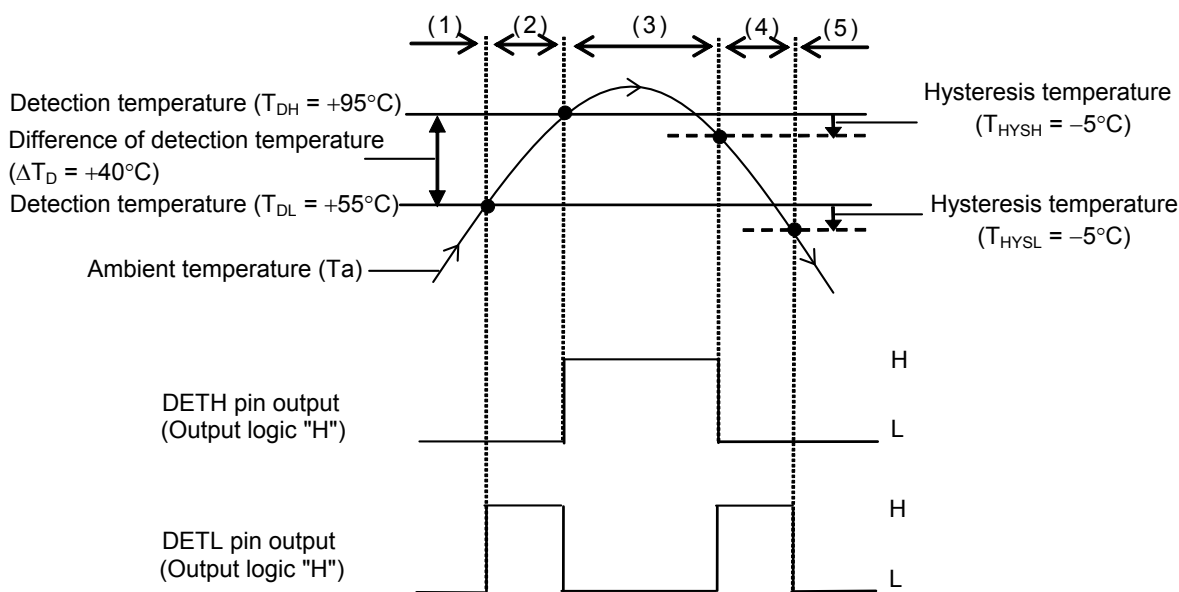


Figure 12 Timing Chart for CMOS Output and Integrate Type

Detecting the temperature is started after power-on.

In case;

- (1) Ambient temperature (T_a) < detection temperature ($T_{DL} = +55^{\circ}C$)
The DETH pin output and the DETL pin output keep "L".
- (2) The ambient temperature (T_a) rises;
detection temperature ($T_{DL} = +55^{\circ}C$) < ambient temperature (T_a) < detection temperature ($T_{DH} = +95^{\circ}C$)
The DETH pin output keeps "L", the DETL pin output gets "H".
- (3) Furthermore, the ambient temperature (T_a) rises;
ambient temperature (T_a) > detection temperature ($T_{DH} = +95^{\circ}C$)
The DETH pin output gets "H", the DETL pin output gets "L".
- (4) After that, the ambient temperature (T_a) falls;
release temperature ($T_{DH} + T_{HYSH} = +90^{\circ}C$) > ambient temperature (T_a) > release temperature ($T_{DL} + T_{HYSL} = +50^{\circ}C$)
The DETH pin output gets "L", the DETL pin output gets "H".
- (5) Furthermore the ambient temperature (T_a) falls;
ambient temperature (T_a) < release temperature ($T_{DL} + T_{HYSL} = +50^{\circ}C$)
The DETH pin output keeps "L", the DETL pin output gets "L".

3. Delay circuit

The S-5842A Series sets the noise suppression time (t_{delay}) via the delay circuit. By this, the S-5842A Series prevents false detection operations of DETH pin and DETL pin output.

The followings are the operation of the DETH pin output when the output logic is "H".

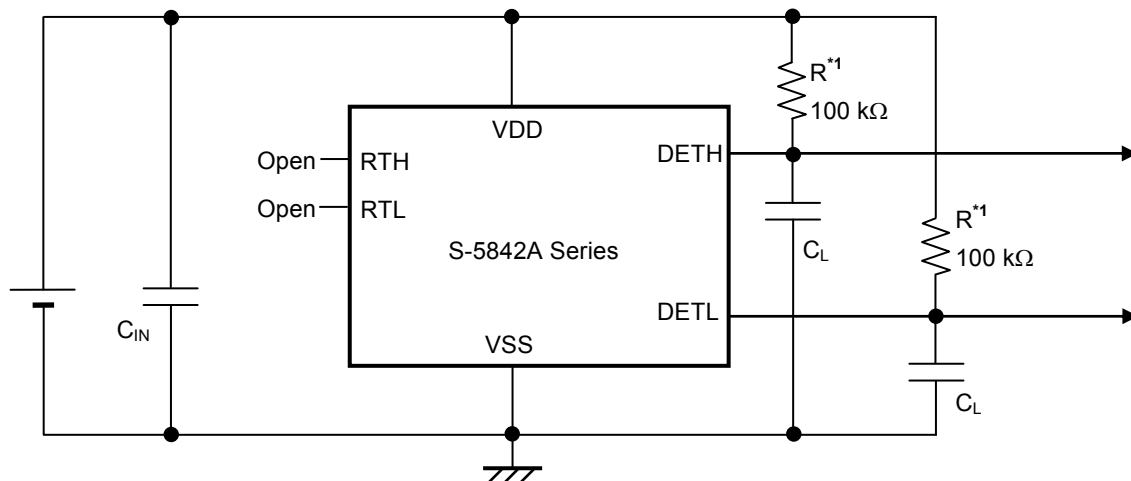
3.1 The temperature is the detection temperature or less

The output from a comparator is "H", and the DETH pin output is "L". Due to noise or others, the output from a comparator is inverted to "L" once; however, the DETH pin output keeps "L" if this status is t_{delay} or shorter.

3.2 The temperature exceeds the detection temperature

The output from a comparator gets "L". And the DETH pin output gets "H" after the period has passed t_{delay} or longer.

■ Standard Circuit



*1. Resistor (R) is unnecessary for CMOS output product.

Figure 13

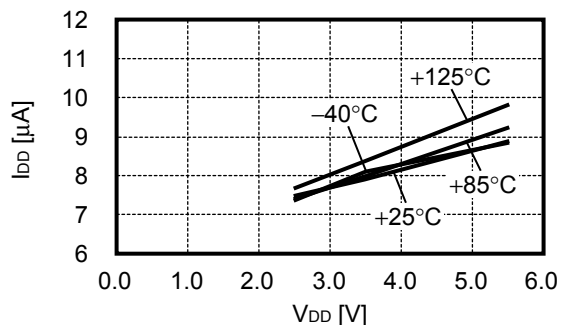
Caution The above connection diagram will not guarantee successful operation. Perform thorough evaluation using actual application to set the constant.

■ Precautions

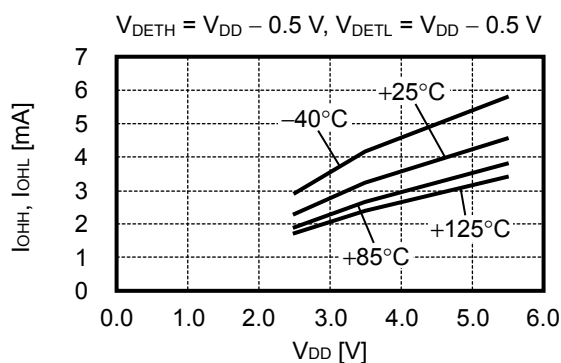
- Either of two detection temperatures (T_{DH} , T_{DL}), an accuracy of $\pm 2.5^{\circ}\text{C}$ is set only for the one that user specifies a higher accuracy than the other (T_{DH} , T_{DL}).
- Set a capacitor (C_{IN}) of 0.1 μF or more between the VDD pin and VSS pin for stabilization.
- To prevent error due to noise during power-on, set a capacitor (C_L) of approx. 0.1 μF for the DETH pin and the DETL pin.
- The S-5842A Series may oscillate by connecting a capacitor to the RTH pin and the RTL pin. Set the RTH pin and the RTL pin open in use.
- The DETH / DETL pin output a signal that of ($T_a >$ detection temperature) by short-circuit the RTH / RTL pin to VSS.
- Do not apply an electrostatic discharge to this IC that exceeds the performance ratings of the built-in electrostatic protection circuit.
- ABLIC Inc. claims no responsibility for any disputes arising out of or in connection with any infringement by products, including this IC, of patents owned by a third party.

■ Characteristics (Typical Data)

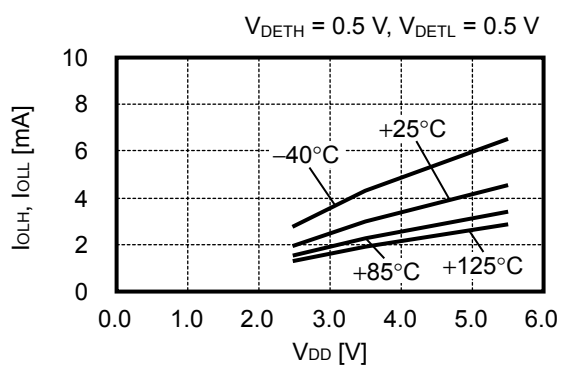
1. Current consumption during operation vs. Power supply voltage characteristics



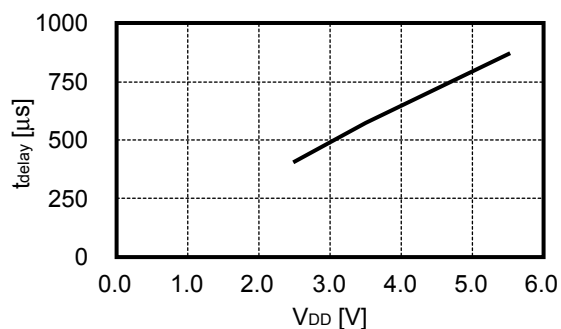
2. Output current "H" of DETH / DETL pin vs. Power supply voltage characteristics (CMOS output product only)



3. Output current "L" of DETH / DETL pin vs. Power supply voltage characteristics



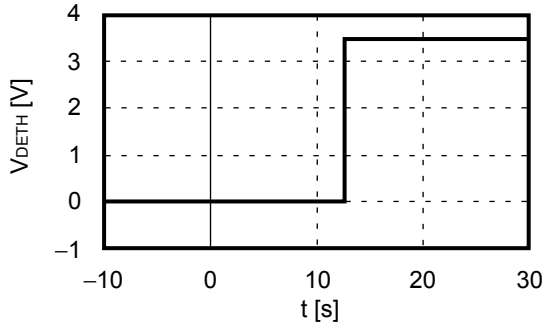
4. Noise suppression time vs. Power supply voltage characteristics



5. Response against heat (Output voltage vs. Time)

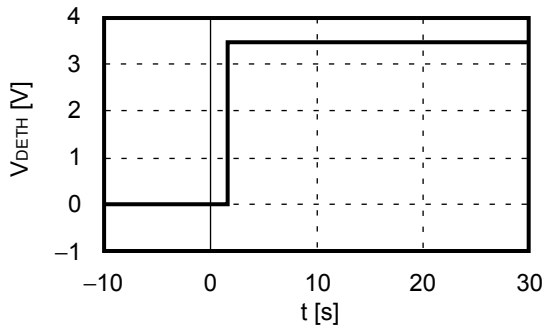
5.1 When SNT-6A is put into the air of +100°C from the air of +25°C at t = 0 s

$V_{DD} = 3.5\text{ V}$, $C_L = 0\ \mu\text{F}$, Detection temperature = +62°C, Output logic "H"



5.2 When SNT-6A is put into the liquid of +100°C from the air of +25°C at t = 0 s

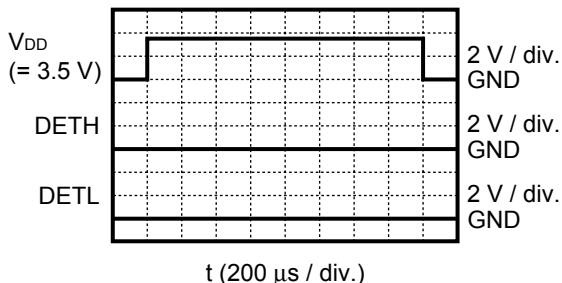
$V_{DD} = 3.5\text{ V}$, $C_L = 0\ \mu\text{F}$, Detection temperature = +62°C, Output logic "H"



6. Response against startup

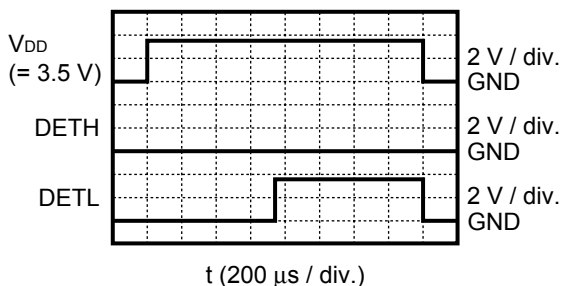
6.1 Power-on at Ta = +25°C

$T_{DH} = +110^{\circ}\text{C}$, $T_{DL} = +45^{\circ}\text{C}$, Output logic "H", $C_L = 0 \mu\text{F}$



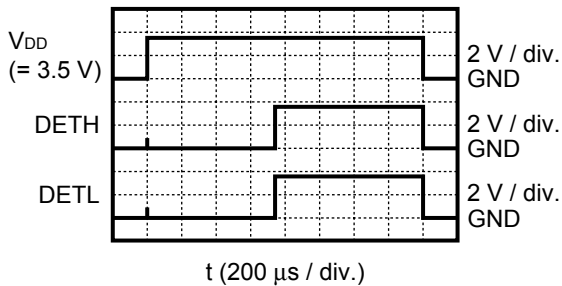
6.2 Power-on at Ta = +80°C

$T_{DH} = +110^{\circ}\text{C}$, $T_{DL} = +45^{\circ}\text{C}$, Output logic "H", $C_L = 0 \mu\text{F}$



6.3 Power-on at Ta = +120°C

$T_{DH} = +110^{\circ}\text{C}$, $T_{DL} = +45^{\circ}\text{C}$, Output logic "H", $C_L = 0 \mu\text{F}$



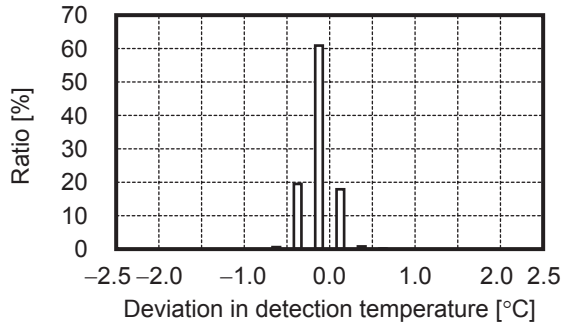
7. Accuracy of detection temperature

High accuracy detection voltage: T_{DH}

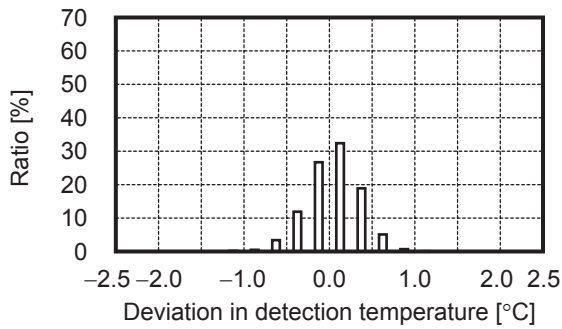
$T_{DH} = +110^{\circ}\text{C}$, $T_{DL} = +45^{\circ}\text{C}$

Measured data on one wafer picked up

7.1 Accuracy of detection temperature at $T_{DH} = +110^{\circ}\text{C}$ (Higher accuracy)



7.2 Accuracy of detection temperature at $T_{DL} = +45^{\circ}\text{C}$



■ Marking Specifications

1. SOT-23-6



(1) to (3): Product code (Refer to **Product name vs. Product code**)
(4): Lot number

Product name vs. Product code

Product Name	Product Code		
	(1)	(2)	(3)
S-5842AAAAF-M6T1y	U	I	F
S-5842AAAAG-M6T1y	U	I	G
S-5842AAAAL-M6T1U	U	I	L
S-5842AAAAN-M6T1y	U	I	N
S-5842ACAAM-M6T1y	U	J	M

Remark 1. y: S or U

2. Please select products of environmental code = U for Sn 100%, halogen-free products.

2. SNT-6A



(1) to (3): Product code (Refer to **Product name vs. Product code**)
 (4) to (6): Lot number

Product name vs. Product code

Product Name	Product Code		
	(1)	(2)	(3)
S-5842AAAAL-I6T1U	U	I	L
S-5842AAAAT-I6T1U	U	I	T
S-5842ABAAA-I6T1U	U	H	A
S-5842ABAAC-I6T1U	U	H	C
S-5842ABAAJ-I6T1U	U	H	J
S-5842ABAAP-I6T1U	U	H	P
S-5842ABA AV-I6T1U	U	H	V
S-5842ABA AW-I6T1U	U	H	W
S-5842ABA AX-I6T1U	U	H	X
S-5842ACAAS-I6T1U	U	J	S
S-5842ADAAH-I6T1U	U	G	H
S-5842ADAAK-I6T1U	U	G	K
S-5842ADAAQ-I6T1U	U	G	Q



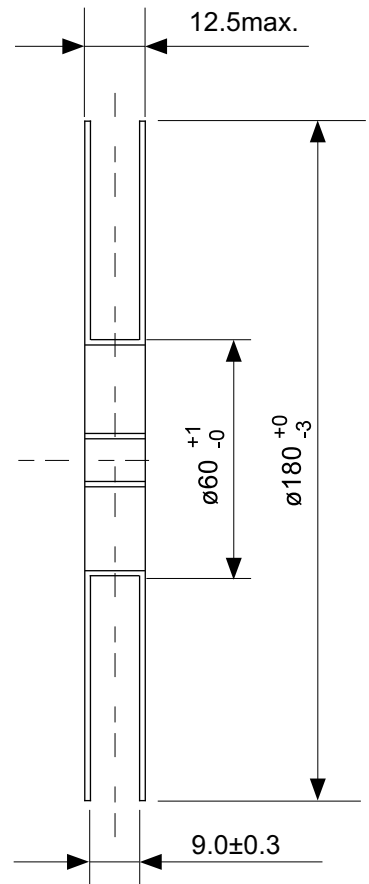
No. MP006-A-P-SD-2.1

TITLE	SOT236-A-PKG Dimensions
No.	MP006-A-P-SD-2.1
ANGLE	
UNIT	mm
ABLIC Inc.	

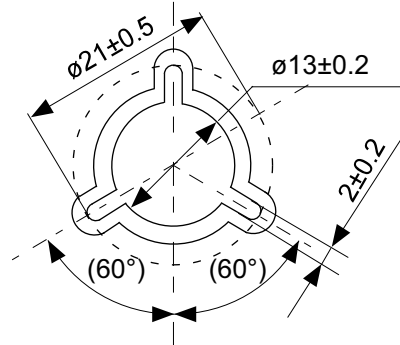


No. MP006-A-C-SD-3.1

TITLE	SOT236-A-Carrier Tape
No.	MP006-A-C-SD-3.1
ANGLE	
UNIT	mm
ABLIC Inc.	

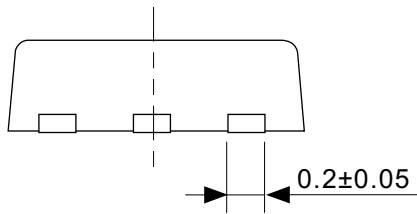
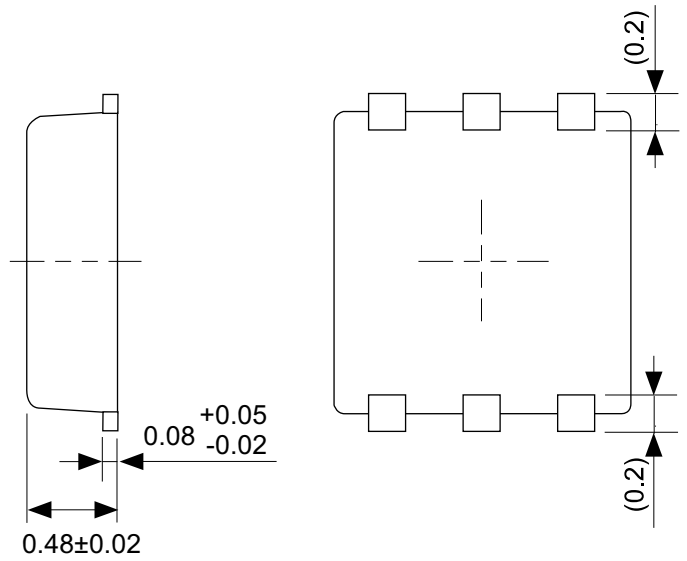
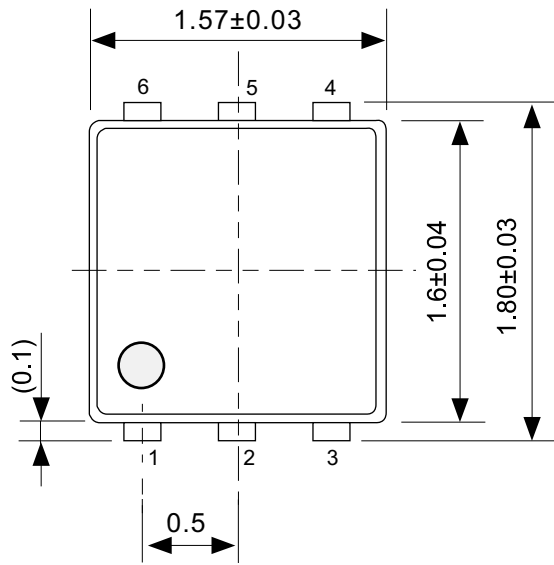


Enlarged drawing in the central part



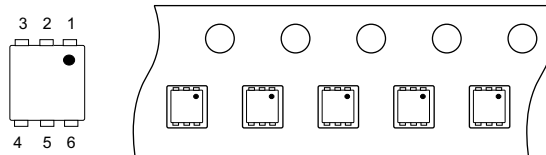
No. MP006-A-R-SD-2.1

TITLE	SOT236-A-Reel		
No.	MP006-A-R-SD-2.1		
ANGLE		QTY	3,000
UNIT	mm		
ABLIC Inc.			



No. PG006-A-P-SD-2.1

TITLE	SNT-6A-A-PKG Dimensions
No.	PG006-A-P-SD-2.1
ANGLE	
UNIT	mm
ABLIC Inc.	



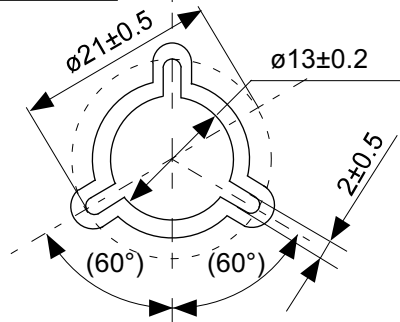
Feed direction →

No. PG006-A-C-SD-2.0

TITLE	SNT-6A-A-Carrier Tape
No.	PG006-A-C-SD-2.0
ANGLE	
UNIT	mm
ABLIC Inc.	



Enlarged drawing in the central part



No. PG006-A-R-SD-1.0

TITLE	SNT-6A-A-Reel		
No.	PG006-A-R-SD-1.0		
ANGLE		QTY.	5,000
UNIT	mm		
ABLIC Inc.			



※1. ランドパターンの幅に注意してください (0.25 mm min. / 0.30 mm typ.).
 ※2. パッケージ中央にランドパターンを広げないでください (1.30 mm ~ 1.40 mm)。

- 注意
1. パッケージのモールド樹脂下にシルク印刷やハンダ印刷などしないでください。
 2. パッケージ下の配線上のソルダーレジストなどの厚みをランドパターン表面から0.03 mm以下にしてください。
 3. マスク開口サイズと開口位置はランドパターンと合わせてください。
 4. 詳細は“SNTパッケージ活用の手引き”を参照してください。

※1. Pay attention to the land pattern width (0.25 mm min. / 0.30 mm typ.).
 ※2. Do not widen the land pattern to the center of the package (1.30 mm ~ 1.40 mm).

- Caution**
1. Do not do silkscreen printing and solder printing under the mold resin of the package.
 2. The thickness of the solder resist on the wire pattern under the package should be 0.03 mm or less from the land pattern surface.
 3. Match the mask aperture size and aperture position with the land pattern.
 4. Refer to "SNT Package User's Guide" for details.

※1. 请注意焊盘模式的宽度 (0.25 mm min. / 0.30 mm typ.).
 ※2. 请勿向封装中间扩展焊盘模式 (1.30 mm ~ 1.40 mm)。

- 注意
1. 请勿在树脂型封装的下面印刷丝网、焊锡。
 2. 在封装下、布线上的阻焊膜厚度 (从焊盘模式表面起) 请控制在 0.03 mm 以下。
 3. 钢网的开口尺寸和开口位置请与焊盘模式对齐。
 4. 详细内容请参阅 "SNT 封装的应用指南"。

No. PG006-A-L-SD-4.1

TITLE	SNT-6A-A -Land Recommendation
No.	PG006-A-L-SD-4.1
ANGLE	
UNIT	mm
ABLIC Inc.	

Disclaimers (Handling Precautions)

1. All the information described herein (product data, specifications, figures, tables, programs, algorithms and application circuit examples, etc.) is current as of publishing date of this document and is subject to change without notice.
2. The circuit examples and the usages described herein are for reference only, and do not guarantee the success of any specific mass-production design.
ABLIC Inc. is not responsible for damages caused by the reasons other than the products described herein (hereinafter "the products") or infringement of third-party intellectual property right and any other right due to the use of the information described herein.
3. ABLIC Inc. is not responsible for damages caused by the incorrect information described herein.
4. Be careful to use the products within their specified ranges. Pay special attention to the absolute maximum ratings, operation voltage range and electrical characteristics, etc.
ABLIC Inc. is not responsible for damages caused by failures and / or accidents, etc. that occur due to the use of the products outside their specified ranges.
5. When using the products, confirm their applications, and the laws and regulations of the region or country where they are used and verify suitability, safety and other factors for the intended use.
6. When exporting the products, comply with the Foreign Exchange and Foreign Trade Act and all other export-related laws, and follow the required procedures.
7. The products must not be used or provided (exported) for the purposes of the development of weapons of mass destruction or military use. ABLIC Inc. is not responsible for any provision (export) to those whose purpose is to develop, manufacture, use or store nuclear, biological or chemical weapons, missiles, or other military use.
8. The products are not designed to be used as part of any device or equipment that may affect the human body, human life, or assets (such as medical equipment, disaster prevention systems, security systems, combustion control systems, infrastructure control systems, vehicle equipment, traffic systems, in-vehicle equipment, aviation equipment, aerospace equipment, and nuclear-related equipment), excluding when specified for in-vehicle use or other uses. Do not apply the products to the above listed devices and equipments without prior written permission by ABLIC Inc. Especially, the products cannot be used for life support devices, devices implanted in the human body and devices that directly affect human life, etc.
Prior consultation with our sales office is required when considering the above uses.
ABLIC Inc. is not responsible for damages caused by unauthorized or unspecified use of our products.
9. Semiconductor products may fail or malfunction with some probability.
The user of the products should therefore take responsibility to give thorough consideration to safety design including redundancy, fire spread prevention measures, and malfunction prevention to prevent accidents causing injury or death, fires and social damage, etc. that may ensue from the products' failure or malfunction.
The entire system must be sufficiently evaluated and applied on customer's own responsibility.
10. The products are not designed to be radiation-proof. The necessary radiation measures should be taken in the product design by the customer depending on the intended use.
11. The products do not affect human health under normal use. However, they contain chemical substances and heavy metals and should therefore not be put in the mouth. The fracture surfaces of wafers and chips may be sharp. Be careful when handling these with the bare hands to prevent injuries, etc.
12. When disposing of the products, comply with the laws and ordinances of the country or region where they are used.
13. The information described herein contains copyright information and know-how of ABLIC Inc.
The information described herein does not convey any license under any intellectual property rights or any other rights belonging to ABLIC Inc. or a third party. Reproduction or copying of the information from this document or any part of this document described herein for the purpose of disclosing it to a third-party without the express permission of ABLIC Inc. is strictly prohibited.
14. For more details on the information described herein, contact our sales office.

2.2-2018.06

Mouser Electronics

Authorized Distributor

Click to View Pricing, Inventory, Delivery & Lifecycle Information:

ABLIC:

[S-5842AAAAF-M6T1S](#) [S-5842ABAAA-I6T1U](#) [S-5842ABAAC-I6T1U](#) [S-5842ABAAX-I6T1U](#) [S-5842ADAAAY-M6T1U](#)
[S-5842AAAAG-M6T1S](#) [S-5842ABA AU-M6T1U](#) [S-5842ABAAP-I6T1U](#) [S-5842ABA AV-I6T1U](#) [S-5842A73AD-M5T1U](#)
[S-5842AAAAF-M6T1U](#) [S-5842AAAL-M6T1U](#) [S-5842ABA AW-I6T1U](#)

Компания «Океан Электроники» предлагает заключение долгосрочных отношений при поставках импортных электронных компонентов на взаимовыгодных условиях!

Наши преимущества:

- Поставка оригинальных импортных электронных компонентов напрямую с производств Америки, Европы и Азии, а так же с крупнейших складов мира;
- Широкая линейка поставок активных и пассивных импортных электронных компонентов (более 30 млн. наименований);
- Поставка сложных, дефицитных, либо снятых с производства позиций;
- Оперативные сроки поставки под заказ (от 5 рабочих дней);
- Экспресс доставка в любую точку России;
- Помощь Конструкторского Отдела и консультации квалифицированных инженеров;
- Техническая поддержка проекта, помощь в подборе аналогов, поставка прототипов;
- Поставка электронных компонентов под контролем ВП;
- Система менеджмента качества сертифицирована по Международному стандарту ISO 9001;
- При необходимости вся продукция военного и аэрокосмического назначения проходит испытания и сертификацию в лаборатории (по согласованию с заказчиком);
- Поставка специализированных компонентов военного и аэрокосмического уровня качества (Xilinx, Altera, Analog Devices, Intersil, Interpoint, Microsemi, Actel, Aeroflex, Peregrine, VPT, Syfer, Eurofarad, Texas Instruments, MS Kennedy, Miteq, Cobham, E2V, MA-COM, Hittite, Mini-Circuits, General Dynamics и др.);

Компания «Океан Электроники» является официальным дистрибьютором и эксклюзивным представителем в России одного из крупнейших производителей разъемов военного и аэрокосмического назначения «JONHON», а так же официальным дистрибьютором и эксклюзивным представителем в России производителя высокотехнологичных и надежных решений для передачи СВЧ сигналов «FORSTAR».



JONHON

«JONHON» (основан в 1970 г.)

Разъемы специального, военного и аэрокосмического назначения:

(Применяются в военной, авиационной, аэрокосмической, морской, железнодорожной, горно- и нефтедобывающей отраслях промышленности)

«FORSTAR» (основан в 1998 г.)

ВЧ соединители, коаксиальные кабели, кабельные сборки и микроволновые компоненты:

(Применяются в телекоммуникациях гражданского и специального назначения, в средствах связи, РЛС, а так же военной, авиационной и аэрокосмической отраслях промышленности).



Телефон: 8 (812) 309-75-97 (многоканальный)

Факс: 8 (812) 320-03-32

Электронная почта: ocean@oceanchips.ru

Web: <http://oceanchips.ru/>

Адрес: 198099, г. Санкт-Петербург, ул. Калинина, д. 2, корп. 4, лит. А