

Altech Corp.®

Serving the Automation & Control Industry since 1984

Certified System



ISO 9001
QMI-SAI Global



TOWER LIGHTS

TOWER LIGHTS

**Choose
Different
Colors
& Set Your
Own Combination**



Altech Corp.[®]
TOWERLights

- Sleek, stackable design
- SMD LED technology
- Uniform, bright illumination
- Integrated LED Light Modules available in continuous, flashing and rotary versions
- Flexibility to upgrade from Single LED unit to multiple LED units
- IP65 protection
- Wide voltage range from 12V AC/DC to 240V AC
- Optional Buzzer feature with dual sound mode - continuous & intermittent with 80 DB output

INTERNATIONAL APPROVALS

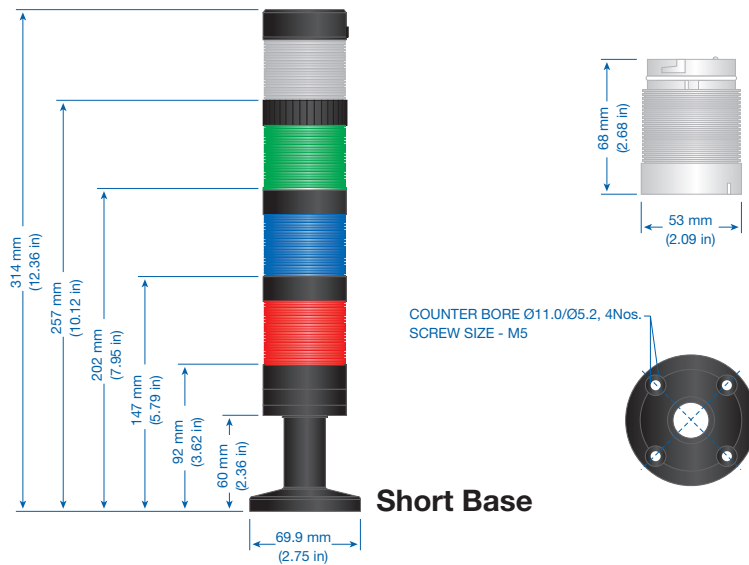


The UL standards extend to:
NEMA Type: 1 | 2 | 3 | 3R | 4 | 4X | 12 | 13
Indoor or outdoor use primarily to provide a degree of protection against corrosion, windblown dust and rain, splashing water, hose-directed water, and damage from external ice formation.

TECHNICAL INFORMATION

| | |
|------------------------|---|
| Outer Diameter | Ø50mm |
| Degree of Protection | IP65, NEMA Type 4X and 13, UL 508 |
| LED Type | SMD |
| Unit Color | Red / Green / Amber / Blue / White |
| Unit Signalling Effect | Continuous, Blinking & Revolving |
| Buzzer Color | Black |
| Buzzer Mode | 80dB ± 5dB |
| Sounding Mode | Continuous & Intermittent |
| Available Voltages | 12V AC/DC; 24V AC/DC 120V AC; 240V AC |
| Voltage Tolerance | ±10% of rated voltage |
| Operating Temperature | -30°C to 60°C |
| Surge Test | 2 KV |
| HV Test for 60 Seconds | 1.5 KV |
| Current Rating | 20-40mA for 12V AC/DC; 24V AC/DC 10-20mA for 120V AC & 240V AC |

DIMENSIONS



BASES AND CAP



| Part No. | Description | Std. Pack |
|----------|---------------------|-----------|
| TL5001 | Short Base, Plastic | 1 |
| TL5002 | Tall Base, Plastic | 1 |

| Accessories | | |
|-------------|------------------------------------|-----------|
| Part No. | Description | Std. Pack |
| TL12004 | Upper Cap for Tower Light, Plastic | 1 |
| TL122002 | Terminal Holder, Plastic | 1 |
| TL122003 | Terminal Holder Cover, Plastic | 1 |

NOTE: All bases come with Cap, Terminal Holder and Terminal Holder Cover.

SOUND MODULE



| Part No. | Description | Voltage | Mode | Approvals | Std. Pack |
|----------|---------------------------|-----------|--------------------|---------------|-----------|
| TL50Z1U | 50mm Sound Module, Buzzer | 24V AC/DC | Continuous, 80dB | UL cUL R NEMA | 1 |
| TL50Z2U | 50mm Sound Module, Buzzer | 24V AC/DC | Intermittent, 80dB | UL cUL NEMA | 1 |
| TL50Z1W | 50mm Sound Module, Buzzer | 120V AC | Continuous, 80dB | UL cUL NEMA | 1 |
| TL50Z2W | 50mm Sound Module, Buzzer | 120V AC | Intermittent, 80dB | UL cUL NEMA | 1 |
| TL50Z1X | 50mm Sound Module, Buzzer | 240V AC | Continuous, 80dB | UL cUL NEMA | 1 |
| TL50Z2X | 50mm Sound Module, Buzzer | 240V AC | Intermittent, 80dB | UL cUL NEMA | 1 |
| TL50Z1T | 50mm Sound Module, Buzzer | 12V AC/DC | Continuous, 80dB | | 1 |
| TL50Z2T | 50mm Sound Module, Buzzer | 12V AC/DC | Intermittent, 80dB | | 1 |

*Cap included with sound module and not removable.

Online Part Builder

To build your tower light go to www.altechcorp.com/towerlights.

Download our interactive EXCEL file to easily build the appropriate tower light part number for your documentation **A** reference and receive a list of components to order and build your specific tower light. **B**

LENS MODULES



| | Part No. | Description | Color | Mode | Approvals | Std. Pack |
|-----------|-----------------------------|-----------------------------|--------------|----------------|-----------|-----------|
| 12 VOLTS | TL50LA1T | 12V AC/DC, 50mm Lens Module | Amber | Continuous LED | ☐ NEMA | 1 |
| | TL50LB1T | 12V AC/DC, 50mm Lens Module | Blue | Continuous LED | ☐ NEMA | 1 |
| | TL50LG1T | 12V AC/DC, 50mm Lens Module | Green | Continuous LED | ☐ NEMA | 1 |
| | TL50LR1T | 12V AC/DC, 50mm Lens Module | Red | Continuous LED | ☐ NEMA | 1 |
| | TL50LW1T | 12V AC/DC, 50mm Lens Module | White | Continuous LED | ☐ NEMA | 1 |
| | TL50LA2T | 12V AC/DC, 50mm Lens Module | Amber | Flashing LED | ☐ NEMA | 1 |
| | TL50LB2T | 12V AC/DC, 50mm Lens Module | Blue | Flashing LED | ☐ NEMA | 1 |
| | TL50LG2T | 12V AC/DC, 50mm Lens Module | Green | Flashing LED | ☐ NEMA | 1 |
| | TL50LR2T | 12V AC/DC, 50mm Lens Module | Red | Flashing LED | ☐ NEMA | 1 |
| | TL50LW2T | 12V AC/DC, 50mm Lens Module | White | Flashing LED | ☐ NEMA | 1 |
| | TL50LA3T | 12V AC/DC, 50mm Lens Module | Amber | Rotating LED | ☐ NEMA | 1 |
| | TL50LB3T | 12V AC/DC, 50mm Lens Module | Blue | Rotating LED | ☐ NEMA | 1 |
| | TL50LG3T | 12V AC/DC, 50mm Lens Module | Green | Rotating LED | ☐ NEMA | 1 |
| TL50LR3T | 12V AC/DC, 50mm Lens Module | Red | Rotating LED | ☐ NEMA | 1 | |
| TL50LW3T | 12V AC/DC, 50mm Lens Module | White | Rotating LED | ☐ NEMA | 1 | |
| 24 VOLTS | TL50LA1U | 24V AC/DC, 50mm Lens Module | Amber | Continuous LED | ☐ ☐ NEMA | 1 |
| | TL50LB1U | 24V AC/DC, 50mm Lens Module | Blue | Continuous LED | ☐ ☐ NEMA | 1 |
| | TL50LG1U | 24V AC/DC, 50mm Lens Module | Green | Continuous LED | ☐ ☐ NEMA | 1 |
| | TL50LR1U | 24V AC/DC, 50mm Lens Module | Red | Continuous LED | ☐ ☐ NEMA | 1 |
| | TL50LW1U | 24V AC/DC, 50mm Lens Module | White | Continuous LED | ☐ ☐ NEMA | 1 |
| | TL50LA2U | 24V AC/DC, 50mm Lens Module | Amber | Flashing LED | ☐ ☐ NEMA | 1 |
| | TL50LB2U | 24V AC/DC, 50mm Lens Module | Blue | Flashing LED | ☐ ☐ NEMA | 1 |
| | TL50LG2U | 24V AC/DC, 50mm Lens Module | Green | Flashing LED | ☐ ☐ NEMA | 1 |
| | TL50LR2U | 24V AC/DC, 50mm Lens Module | Red | Flashing LED | ☐ ☐ NEMA | 1 |
| | TL50LW2U | 24V AC/DC, 50mm Lens Module | White | Flashing LED | ☐ ☐ NEMA | 1 |
| | TL50LA3U | 24V AC/DC, 50mm Lens Module | Amber | Rotating LED | ☐ ☐ NEMA | 1 |
| | TL50LB3U | 24V AC/DC, 50mm Lens Module | Blue | Rotating LED | ☐ ☐ NEMA | 1 |
| | TL50LG3U | 24V AC/DC, 50mm Lens Module | Green | Rotating LED | ☐ ☐ NEMA | 1 |
| TL50LR3U | 24V AC/DC, 50mm Lens Module | Red | Rotating LED | ☐ ☐ NEMA | 1 | |
| TL50LW3U | 24V AC/DC, 50mm Lens Module | White | Rotating LED | ☐ ☐ NEMA | 1 | |
| 120 VOLTS | TL50LA1W | 120V AC, 50mm Lens Module | Amber | Continuous LED | ☐ ☐ NEMA | 1 |
| | TL50LB1W | 120V AC, 50mm Lens Module | Blue | Continuous LED | ☐ ☐ NEMA | 1 |
| | TL50LG1W | 120V AC, 50mm Lens Module | Green | Continuous LED | ☐ ☐ NEMA | 1 |
| | TL50LR1W | 120V AC, 50mm Lens Module | Red | Continuous LED | ☐ ☐ NEMA | 1 |
| | TL50LW1W | 120V AC, 50mm Lens Module | White | Continuous LED | ☐ ☐ NEMA | 1 |
| | TL50LA2W | 120V AC, 50mm Lens Module | Amber | Flashing LED | ☐ ☐ NEMA | 1 |
| | TL50LB2W | 120V AC, 50mm Lens Module | Blue | Flashing LED | ☐ ☐ NEMA | 1 |
| | TL50LG2W | 120V AC, 50mm Lens Module | Green | Flashing LED | ☐ ☐ NEMA | 1 |
| | TL50LR2W | 120V AC, 50mm Lens Module | Red | Flashing LED | ☐ ☐ NEMA | 1 |
| | TL50LW2W | 120V AC, 50mm Lens Module | White | Flashing LED | ☐ ☐ NEMA | 1 |
| | TL50LA3W | 120V AC, 50mm Lens Module | Amber | Rotating LED | ☐ ☐ NEMA | 1 |
| | TL50LB3W | 120V AC, 50mm Lens Module | Blue | Rotating LED | ☐ ☐ NEMA | 1 |
| | TL50LG3W | 120V AC, 50mm Lens Module | Green | Rotating LED | ☐ ☐ NEMA | 1 |
| TL50LR3W | 120V AC, 50mm Lens Module | Red | Rotating LED | ☐ ☐ NEMA | 1 | |
| TL50LW3W | 120V AC, 50mm Lens Module | White | Rotating LED | ☐ ☐ NEMA | 1 | |
| 240 VOLTS | TL50LA1X | 240V AC, 50mm Lens Module | Amber | Continuous LED | ☐ ☐ NEMA | 1 |
| | TL50LB1X | 240V AC, 50mm Lens Module | Blue | Continuous LED | ☐ ☐ NEMA | 1 |
| | TL50LG1X | 240V AC, 50mm Lens Module | Green | Continuous LED | ☐ ☐ NEMA | 1 |
| | TL50LR1X | 240V AC, 50mm Lens Module | Red | Continuous LED | ☐ ☐ NEMA | 1 |
| | TL50LW1X | 240V AC, 50mm Lens Module | White | Continuous LED | ☐ ☐ NEMA | 1 |
| | TL50LA2X | 240V AC, 50mm Lens Module | Amber | Flashing LED | ☐ ☐ NEMA | 1 |
| | TL50LB2X | 240V AC, 50mm Lens Module | Blue | Flashing LED | ☐ ☐ NEMA | 1 |
| | TL50LG2X | 240V AC, 50mm Lens Module | Green | Flashing LED | ☐ ☐ NEMA | 1 |
| | TL50LR2X | 240V AC, 50mm Lens Module | Red | Flashing LED | ☐ ☐ NEMA | 1 |
| | TL50LW2X | 240V AC, 50mm Lens Module | White | Flashing LED | ☐ ☐ NEMA | 1 |
| | TL50LA3X | 240V AC, 50mm Lens Module | Amber | Rotating LED | ☐ ☐ NEMA | 1 |
| | TL50LB3X | 240V AC, 50mm Lens Module | Blue | Rotating LED | ☐ ☐ NEMA | 1 |
| | TL50LG3X | 240V AC, 50mm Lens Module | Green | Rotating LED | ☐ ☐ NEMA | 1 |
| TL50LR3X | 240V AC, 50mm Lens Module | Red | Rotating LED | ☐ ☐ NEMA | 1 | |
| TL50LW3X | 240V AC, 50mm Lens Module | White | Rotating LED | ☐ ☐ NEMA | 1 | |

TOWER LIGHTS

Ordering Information (Components sold individually)

| | DESCRIPTION | CODE |
|---------------|-----------------|------|
| Tower Light | | TW |
| Base | Small Base (SB) | 1 |
| | Big Base (BB) | 2 |
| Voltage | 240V AC | X |
| | 120V AC | W |
| | 24V AC/DC | U |
| | 12V AC/DC | T |
| Unit Color | Red | R |
| | Green | G |
| | Amber | A |
| | Blue | B |
| | White | W |
| Luminous Mode | Continuous | 1 |
| | Blinking | 2 |
| | Revolving | 3 |
| Sound Module | Continuous | Z1 |
| | Intermittent | Z2 |

TW 1 U R 1 G 1 A 2 B 1



Example:

Cat. No. TW1UR1G1A2B1

Description

Tower Light with Small Base
24V AC/DC with Red, Green and Blue
Continuous Amber Blinking

Buzzer has to be used as last unit in the stack.
Maximum number of stacks is four.

Standard Available Combinations

Tower Light Without Buzzer

| Type | Description | Part No. |
|--------------|---|--------------|
| Single Stack | Tower light with small base 120V AC with red continuous illumination | TW1WR1 |
| Single Stack | Tower light with small base 120V AC with red blinking illumination | TW1WR2 |
| Two Stack | Tower light with small base 120V AC with red continuous & green continuous illumination | TW1WR1G1 |
| Two Stack | Tower light with small base 24V AC/DC with red continuous & green continuous illumination | TW1UR2G2 |
| Three Stack | Tower light with small base 120V AC with red continuous, green continuous & blue continuous illumination | TW1WR1G1B1 |
| Three Stack | Tower light with small base 240V AC with green continuous, blue continuous and red blinking illumination | TW1XG1B1R2 |
| Four Stack | Tower light with small base 120V AC with red continuous, green continuous, blue continuous & amber continuous illumination | TW1WR1G1B1A1 |

Tower Light With Buzzer

| Type | Description | Part No. |
|--------------|--|--------------|
| Single Stack | Tower light with small base 120V AC with buzzer continuous | TW1WZ1 |
| Two Stack | Tower light with small base 120V AC with red continuous illumination & buzzer continuous | TW1WR1Z1 |
| Two Stack | Tower light with small base 24V AC/DC with red blinking illumination & buzzer continuous | TW1UR2Z1 |
| Three Stack | Tower light with small base 120V AC/DC with red continuous, green continuous illumination & buzzer continuous | TW1WR1G1Z1 |
| Three Stack | Tower light with small base 24V AC/DC with red blinking, green continuous illumination & buzzer continuous | TW1UR2G1Z1 |
| Four Stack | Tower light with small base 120V AC with red continuous, green continuous, blue continuous & buzzer continuous | TW1WR1G1B1Z1 |
| Four Stack | Tower light with small base 24V AC/DC with green continuous, blue continuous, red blinking illumination & buzzer continuous | TW1UG1B1R2Z1 |

Note: Mentioned products are available as ex-stock, for any special requirement please refer ordering information or contact Altech Corp.®.

TOWER LIGHTS

Technical Information

Dimensions



SOUND MODULE UNIT BLACK (Cap is not removable)



Assembly Mounting

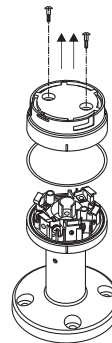


- A. Drill mounting pattern which is included with product packaging.
- B. Install panel gasket then assembly. Secure with four (4) M5 mounting screws, washers and nuts.

M5 X25 FULLY THREADED SCREW
MOUNTING PAD (Panel Gas Kit)
M5 WASHER
M5 NUT

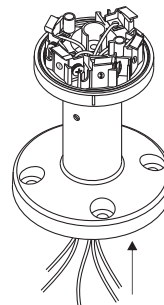
Electrical Wiring

STEP 1



- A. Remove the two (2) M3 assembly screws and lift the base cover and gasket off exposing the terminal connections.

STEP 2

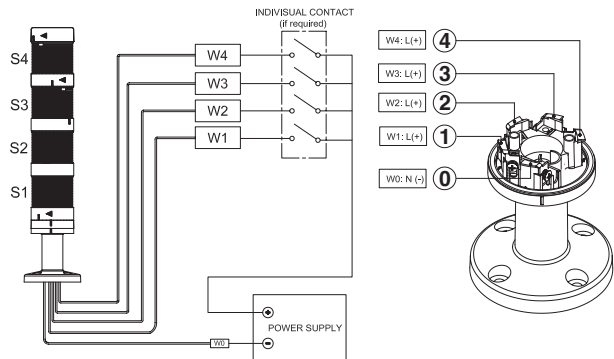


- B. Insert the wires from the bottom of the base through the center hole in the base.
- C. The terminals are numbered and correspond to the module position.

| | |
|---|------------------------------|
| 0 | common or negative (AC / DC) |
| 1 | module position 1 |
| 2 | module position 2 |
| 3 | module position 3 |
| 4 | module position 4 |

- D. Insert the wires into the required terminations for the tower light and tighten to 0.5Nm (5lb* in).

Wiring Diagram



For proper installation and operation of the Tower Light please follow the instructions on both sides of product sheet included with each tower light.



- WEB TOOLS**
- Product Crossings
 - Request for Quote
 - Sample Request
 - Catalog Request
- PRODUCT MENU**
- Circuit Protection / Control >
 - Connectors >
 - Enclosures >
 - European Spare Parts >
 - Foot Switches
 - Interface Modules >
 - Power Supplies
 - Push Buttons & Pilot Lights >
 - Relays >
 - Sensors >
 - Terminal Blocks >
 - Wire & Cable Management >
 - Home

View Our Product Preview Movie

Circuit Protection

| | | | | |
|--|---|--|--|--|
|  Circuit Protection Devices |  Busbar and Power Distribution |  Contactors, Overload Relays, Manual Motor Starters |  Motor Disconnect Switches |  European Fuses |
|--|---|--|--|--|

Connectors

| | | | | |
|---|--|---|--|---|
|  Industrial Rectangular Connectors |  Pin & Sleeve Devices |  Receptacles |  Foot Switches |  Sensors |
|---|--|---|--|---|

Enclosures

| | | | | |
|--|---|--|---|--|
|  Industrial Enclosures |  DIN Enclosures |  Interface Modules |  Safety Relays |  Slimline Relays |
|--|---|--|---|--|

Modules & Relays

Power Supplies

| | | | |
|--|---|--|--|
|  Power Supplies |  22 & 30 mm Push Buttons |  DIN Rail |  Wire & Cable Management |
|--|---|--|--|

Push Buttons

DIN Rail

Wire & Cable Management

Terminal Blocks

| | | | | |
|--|---|---|---|---|
|  Din Rail Terminal Blocks |  Panel Mount Terminal Blocks |  Printed Circuit Board Terminal Blocks |  Eurostrips |  Distribution Blocks |
|--|---|---|---|---|

Miscellaneous

| | | | | |
|--|---|---|--|--|
|  Ferrules |  Custom Assembly |  Marking & Engraving Systems |  Power Semi-conductors |  European Spare Parts |
|--|---|---|--|--|

Altech Corporation
35 Royal Road
Flemington, NJ 08822-6000
Phone (908) 806-9400
Fax (908) 806-9490
www.altechcorp.com

Altech Corp.® 800-012012-3M

Компания «Океан Электроники» предлагает заключение долгосрочных отношений при поставках импортных электронных компонентов на взаимовыгодных условиях!

Наши преимущества:

- Поставка оригинальных импортных электронных компонентов напрямую с производств Америки, Европы и Азии, а так же с крупнейших складов мира;
- Широкая линейка поставок активных и пассивных импортных электронных компонентов (более 30 млн. наименований);
- Поставка сложных, дефицитных, либо снятых с производства позиций;
- Оперативные сроки поставки под заказ (от 5 рабочих дней);
- Экспресс доставка в любую точку России;
- Помощь Конструкторского Отдела и консультации квалифицированных инженеров;
- Техническая поддержка проекта, помощь в подборе аналогов, поставка прототипов;
- Поставка электронных компонентов под контролем ВП;
- Система менеджмента качества сертифицирована по Международному стандарту ISO 9001;
- При необходимости вся продукция военного и аэрокосмического назначения проходит испытания и сертификацию в лаборатории (по согласованию с заказчиком);
- Поставка специализированных компонентов военного и аэрокосмического уровня качества (Xilinx, Altera, Analog Devices, Intersil, Interpoint, Microsemi, Actel, Aeroflex, Peregrine, VPT, Syfer, Eurofarad, Texas Instruments, MS Kennedy, Miteq, Cobham, E2V, MA-COM, Hittite, Mini-Circuits, General Dynamics и др.);

Компания «Океан Электроники» является официальным дистрибьютором и эксклюзивным представителем в России одного из крупнейших производителей разъемов военного и аэрокосмического назначения «JONHON», а так же официальным дистрибьютором и эксклюзивным представителем в России производителя высокотехнологичных и надежных решений для передачи СВЧ сигналов «FORSTAR».



JONHON

«JONHON» (основан в 1970 г.)

Разъемы специального, военного и аэрокосмического назначения:

(Применяются в военной, авиационной, аэрокосмической, морской, железнодорожной, горно- и нефтедобывающей отраслях промышленности)

«FORSTAR» (основан в 1998 г.)

ВЧ соединители, коаксиальные кабели, кабельные сборки и микроволновые компоненты:

(Применяются в телекоммуникациях гражданского и специального назначения, в средствах связи, РЛС, а так же военной, авиационной и аэрокосмической отраслях промышленности).



Телефон: 8 (812) 309-75-97 (многоканальный)

Факс: 8 (812) 320-03-32

Электронная почта: ocean@oceanchips.ru

Web: <http://oceanchips.ru/>

Адрес: 198099, г. Санкт-Петербург, ул. Калинина, д. 2, корп. 4, лит. А