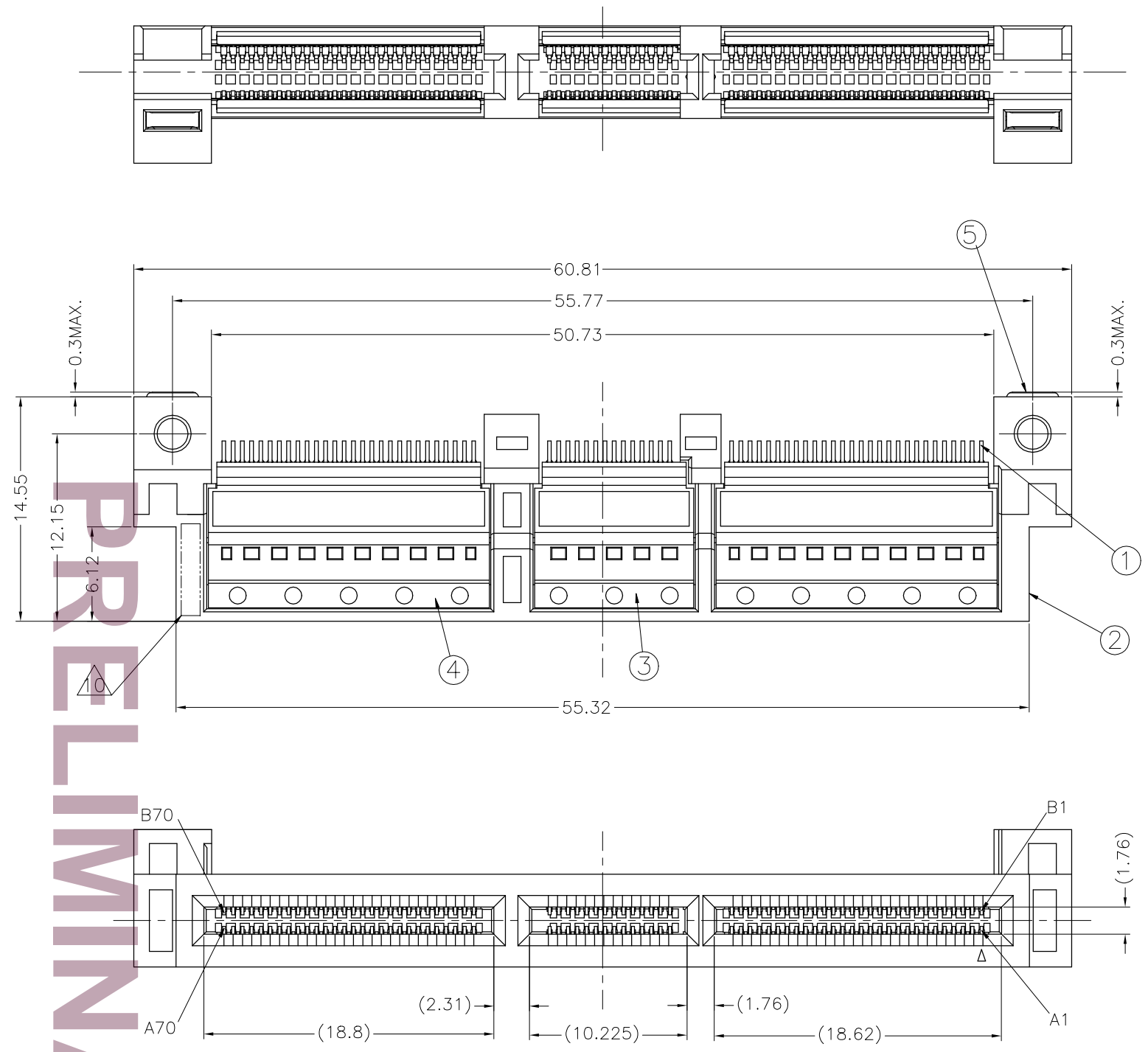


REVISIONS					
P	LTR	DESCRIPTION	DATE	DWN	APVD
	9	PRELIMINARY	12JUN2019	J.T	K.K

- NOTE**
- ① HOUSING AND COVER: LCP, UL94-V0, BLACK.
CONTACTS: COPPER ALLOY.
 - ② GOLD PLATE ON CONTACT AREA.
TIN PLATE ON SOLDER TAIL AREA.
 - ③ APPLICABLE HOST BOARD THICKNESS
 - ④ OFFSET AMOUNT BETWEEN AIC BOARD AND
HOST BOARD CENTER LINE.
 - ⑤ SEE MSA SPECIFICATION FOR ADDITIONAL PADDLE
CARD LAYOUTS COMPATABLE WITH THIS RECEPTACLE
AND FOR OPTIONAL SPLIT CONTACT PAD LAYOUTS
FOR THE PADDLE CARD. SPECIFICATION PINOUT
MAY ALSO DESIGNATE PAD SEQUENCE DIFFERENT
FROM ILLUSTRATION.
 - ⑥ POSITIONS DESIGNATED AS "SIGNAL" ARE
RECOMMENDED LOCATIONS FOR HIGH SPEED
DIFFERENTIAL PAIR SIGNALING. THESE LOCATIONS
MAY ALSO BE USED FOR SUPPORTING SIDEBAND
SIGNALS OR OTHER UTILITY PURPOSES. POSITIONS
DESIGNATED AS "GROUND" ARE REQUIRED WHEN
SUPPORTING HIGH SPEED DIFFERENTIAL SIGNALS.
THESE LOCATIONS MAY ALSO BE USED FOR SIDEBAND
SIGNALS OR OTHER UTILITY PURPOSES.
 - ⑦ CONTROLLED ACROSS PADS.
 - ⑧ THIS LAYOUT IS ADOPTED IN SFF-TA-1002 Rev 1.1
 - ⑨ SCREW IS ENCLOSED BY SEPARATE PACKING.
SCREW SIZE: M2
SCREW LENGTH(REF): 6
HEAD SIZE(REF): $\phi 3.5$, 1.3HEIGHT
 - ⑩ DATE CODE MARKING.
 - ⑪ CONNECTOR MUST BE FIXED ON PCB BY SCREW
AFTER SOLDERING.



PLATING	PACKAGING	SCREW INCLUSION	④ DIM A	③ DIM B (HOST BOARD THICKNESS)	PARTS No.
0.76 μ m Au	SOFT TRAY	YES	0	1.57 ± 0.15	2340324-1
		NO	0	1.57 ± 0.15	2340324-3
		YES	0.3	1.93 ± 0.19	1-2340324-2
		NO	0	2.36 ± 0.23	2-2340324-3
	HARD TRAY	YES	0	1.57 ± 0.15	5-2340324-1
		NO	0	1.57 ± 0.15	5-2340324-3
		YES	0.3	1.93 ± 0.19	6-2340324-2
		NO	0.3	1.93 ± 0.19	6-2340324-4
		YES	0	2.36 ± 0.23	7-2340324-1
		NO	0	2.36 ± 0.23	7-2340324-3

QTY	NAME	ITEM No.
2	M2 SCREW	
2	M2 NUT PLATE	⑤
4	COVER HOUSING 28P	④
2	COVER HOUSING 14P	③
1	HOUSING	②
140	CONTACT	①

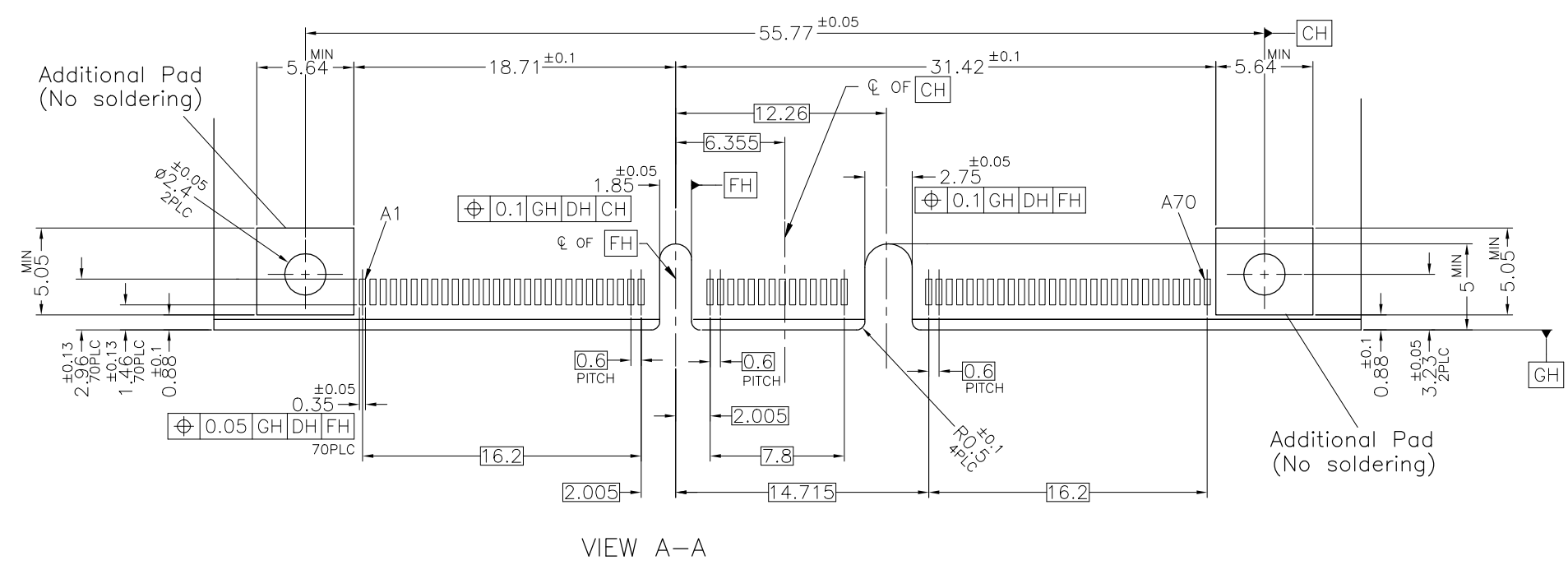
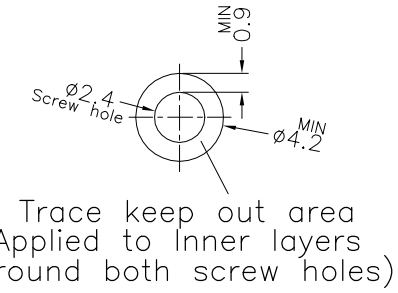
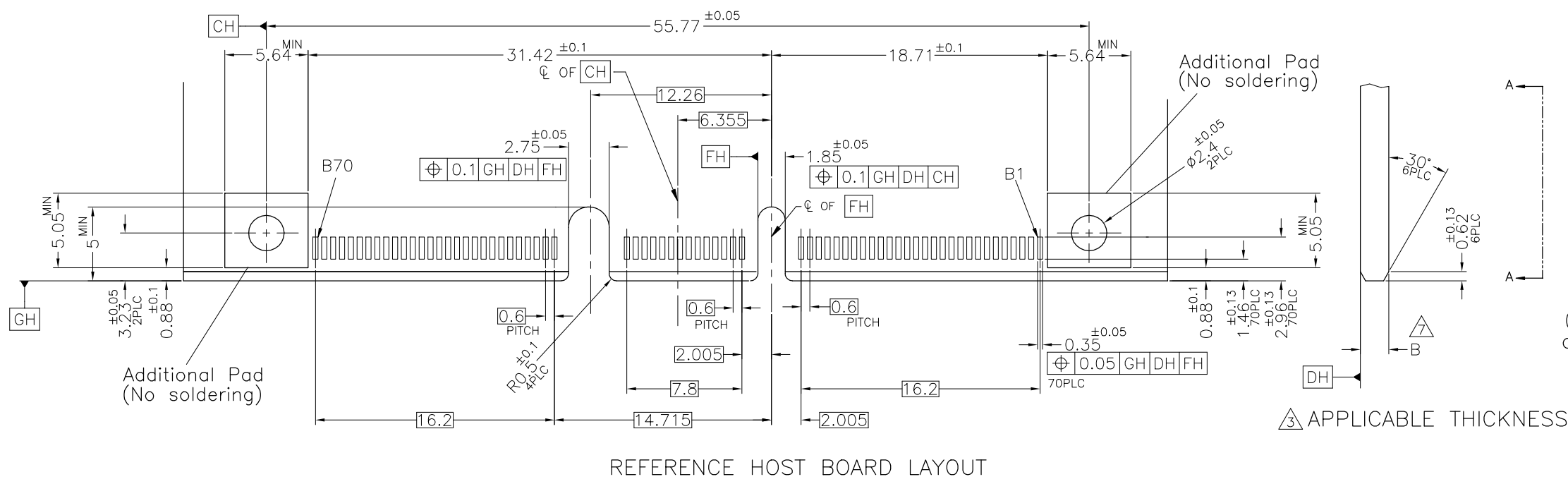
HVM DESIGN

PROPOSAL DRAWING
 THIS PRINT IS PRELIMINARY
 UNQUALIFIED PRODUCT
 THESE SPEC MAY BE CHANGED BASED ON
 ADDITIONAL INVESTIGATION AND TESTING
 WITHOUT YOUR PERMISSION.

AS SHOWN : -1, -3, 1--2, 2--1, 2--3, 5--1,
 5--3, 6--2, 6--4, 7--1, 7--3

THIS DRAWING IS A CONTROLLED DOCUMENT.		DWN M.TANAKA 30JUL2018														
DIMENSIONS: mm		CHK J.TSUJI 30JUL2018														
TOLERANCES UNLESS OTHERWISE SPECIFIED: ± 0.3		APVD K.KOBAYASHI 30JUL2018	NAME													
<table border="1"> <tr><td>0-PLC</td><td>±</td></tr> <tr><td>1-PLC</td><td>±</td></tr> <tr><td>2-PLC</td><td>±</td></tr> <tr><td>3-PLC</td><td>±</td></tr> <tr><td>4-PLC</td><td>±</td></tr> <tr><td>ANGLES</td><td>±</td></tr> </table>		0-PLC	±	1-PLC	±	2-PLC	±	3-PLC	±	4-PLC	±	ANGLES	±	PRODUCT SPEC	140 POSITION SLIVER 2.0 STRADDLE MOUNT	
0-PLC	±															
1-PLC	±															
2-PLC	±															
3-PLC	±															
4-PLC	±															
ANGLES	±															
MATERIAL		APPLICATION SPEC	SIZE A2	RESTRICTED TO												
FINISH		WEIGHT 0	CAGE CODE 00779	DRAWING NO C-2340324												
①		CUSTOMER DRAWING	SCALE 4:1	SHEET 1 of 5												
②			REV 9													

REVISIONS				
P	LTR	DESCRIPTION	DATE	APVD
-	-	SEE SHEET 1	-	-



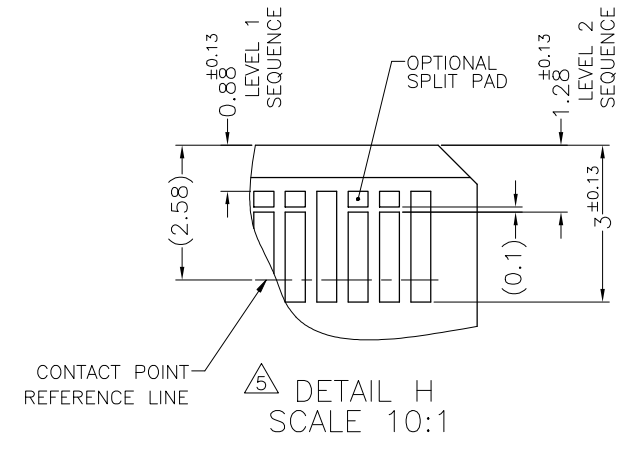
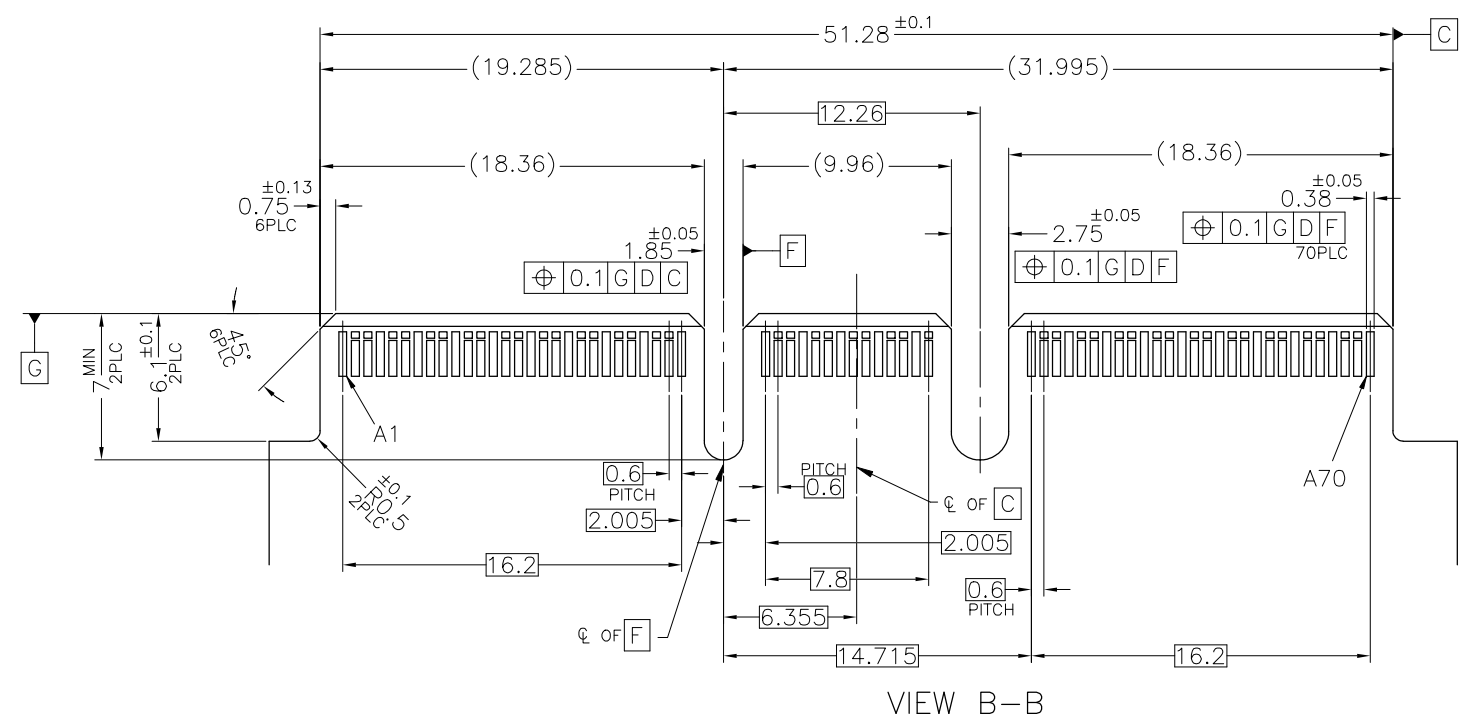
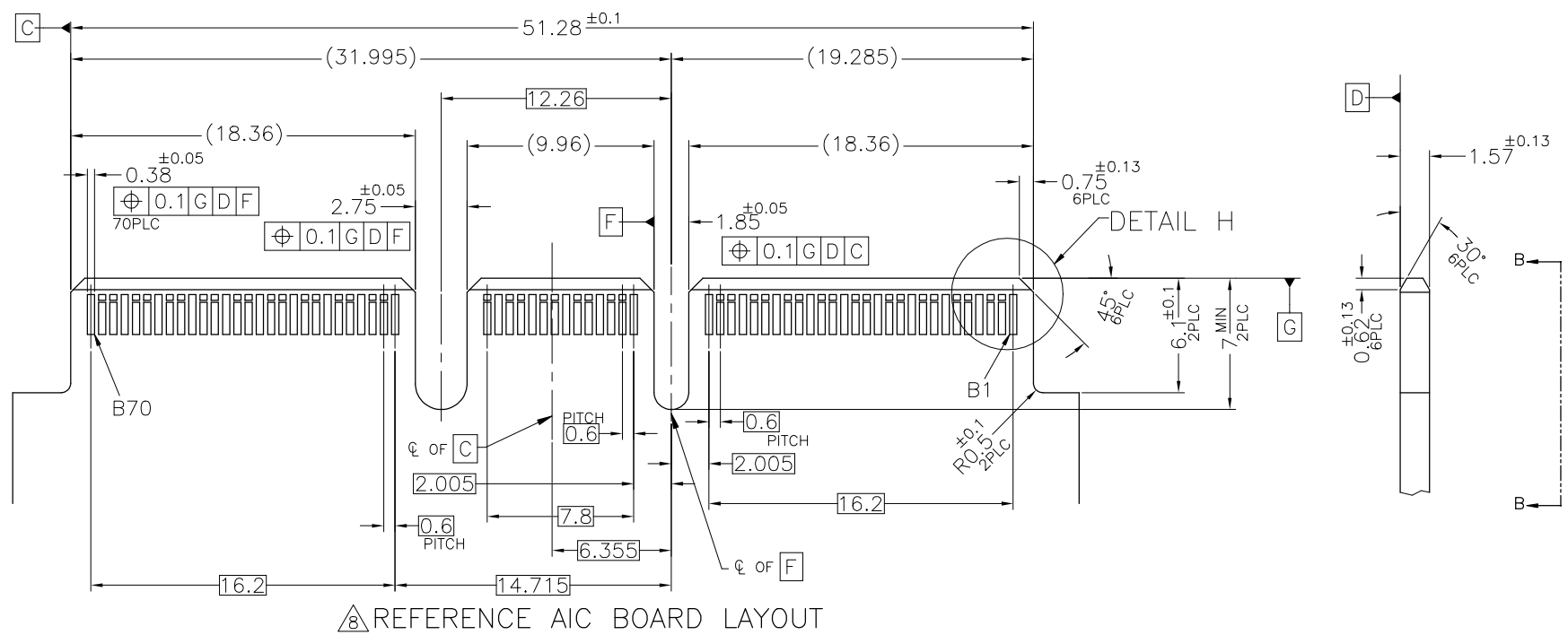
HOST BOARD LAYOUT FOR HVM

PROPOSAL DRAWING
 THIS PRINT IS PRELIMINARY
 UNQUALIFIED PRODUCT
 THESE SPEC MAY BE CHANGED BASED ON ADDITIONAL INVESTIGATION AND TESTING WITHOUT YOUR PERMISSION.

THIS DRAWING IS A CONTROLLED DOCUMENT.		DWN	TE Connectivity	
DIMENSIONS: mm		CHK		
TOLERANCES UNLESS OTHERWISE SPECIFIED: ±0.3		APVD	NAME	
0-PLC ± 1-PLC ± 2-PLC ± 3-PLC ± 4-PLC ±		PRODUCT SPEC	140 POSITION SLIVER 2.0 STRADDLE MOUNT	
MATERIAL		APPLICATION SPEC	SIZE	CAGE CODE
FINISH		WEIGHT	DRAWING NO	RESTRICTED TO
		CUSTOMER DRAWING	A2 00779 C-2340324	
		SCALE	SHEET	REV
		4:1	2 of 5	9

2340324

REVISIONS					
P	LTR	DESCRIPTION	DATE	DWN	APVD
-	-	SEE SHEET 1	-	-	-



PROPOSAL DRAWING

THIS PRINT IS
PRELIMINARY
 UNQUALIFIED PRODUCT
 THESE SPEC MAY BE CHANGED BASED ON
 ADDITIONAL INVESTIGATION AND TESTING
 WITHOUT YOUR PERMISSION.

THIS DRAWING IS A CONTROLLED DOCUMENT.		DWN	STE TE Connectivity		
DIMENSIONS: mm		CHK			
TOLERANCES UNLESS OTHERWISE SPECIFIED: ±0.3		APVD	NAME		
0-PLC ±		PRODUCT SPEC	140 POSITION SLIVER 2.0 STRADDLE MOUNT		
1-PLC ±		APPLICATION SPEC	SIZE	CAGE CODE	DRAWING NO
2-PLC ±		WEIGHT	A2	00779	C-2340324
3-PLC ±		CUSTOMER DRAWING	SCALE	SHEET	REV
4-PLC ±			4:1	3 of 5	9
ANGLES ±					
FINISH					

2340324

THIS DRAWING IS UNPUBLISHED. RELEASED FOR PUBLICATION
 © COPYRIGHT - TE Connectivity ALL RIGHTS RESERVED.

REVISIONS				
P	LTR	DESCRIPTION	DATE	APVD
-	-	SEE SHEET 1	-	-


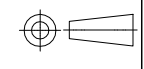
CONNECTOR CONTACT IDENTIFICATION

CONTACT NUMBER	SIDE A	SIDE B
1	GROUND	GROUND
2	SIGNAL	SIGNAL
3	SIGNAL	SIGNAL
4	GROUND	GROUND
5	SIGNAL	SIGNAL
6	SIGNAL	SIGNAL
7	GROUND	GROUND
8	SIGNAL	SIGNAL
9	SIGNAL	SIGNAL
10	GROUND	GROUND
11	SIGNAL	SIGNAL
12	SIGNAL	SIGNAL
13	GROUND	GROUND
14	SIGNAL	SIGNAL
15	SIGNAL	SIGNAL
16	GROUND	GROUND
17	SIGNAL	SIGNAL
18	SIGNAL	SIGNAL
19	GROUND	GROUND
20	SIGNAL	SIGNAL
21	SIGNAL	SIGNAL
22	GROUND	GROUND
23	SIGNAL	SIGNAL
24	SIGNAL	SIGNAL
25	GROUND	GROUND
26	SIGNAL	SIGNAL
27	SIGNAL	SIGNAL
28	GROUND	GROUND
29	GROUND	GROUND
30	SIGNAL	SIGNAL
31	SIGNAL	SIGNAL
32	GROUND	GROUND
33	SIGNAL	SIGNAL
34	SIGNAL	SIGNAL
35	GROUND	GROUND

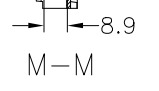
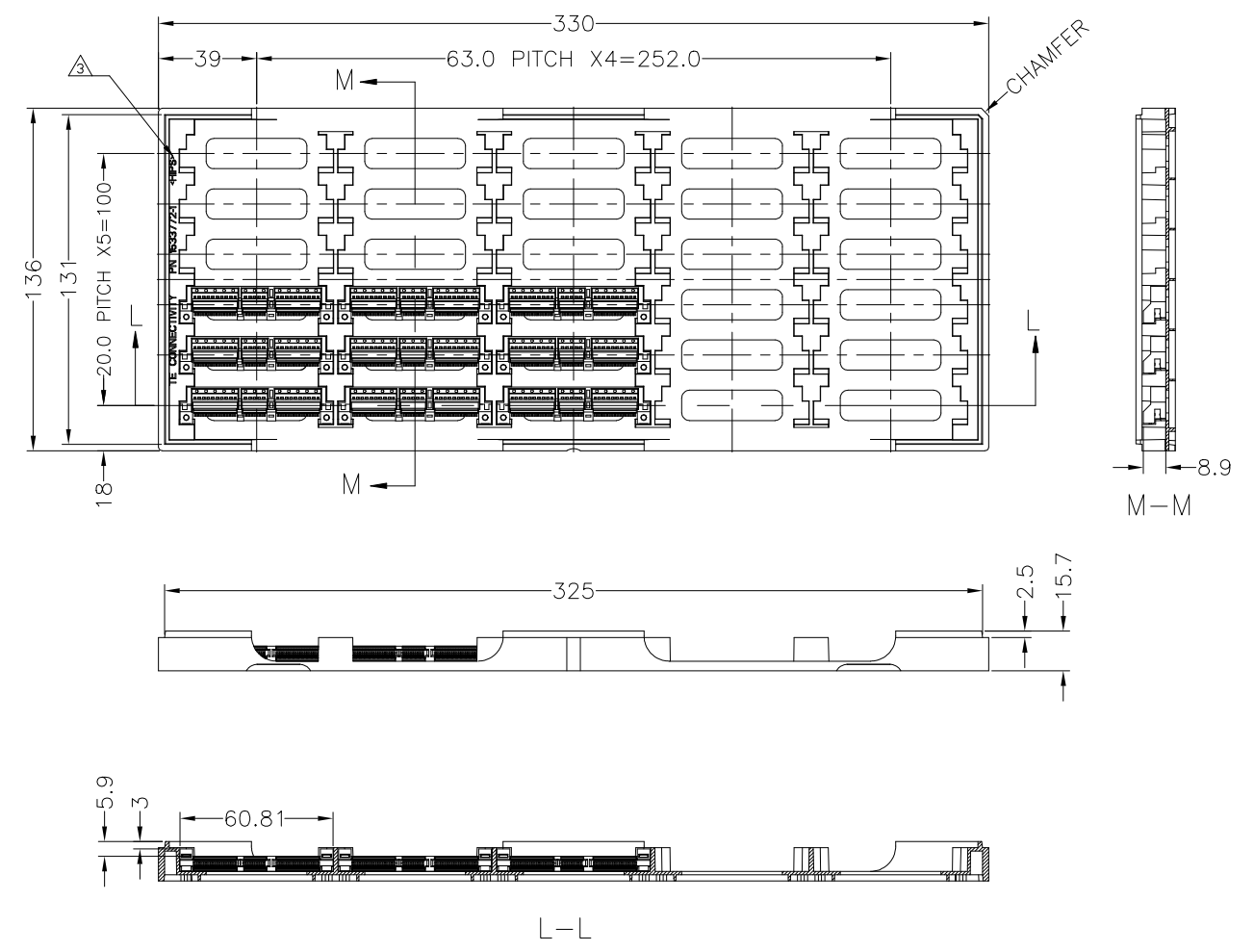
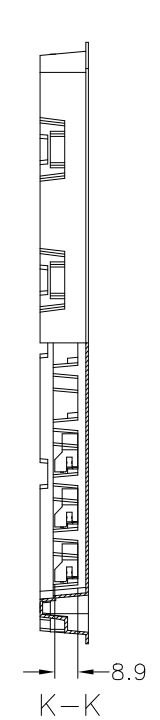
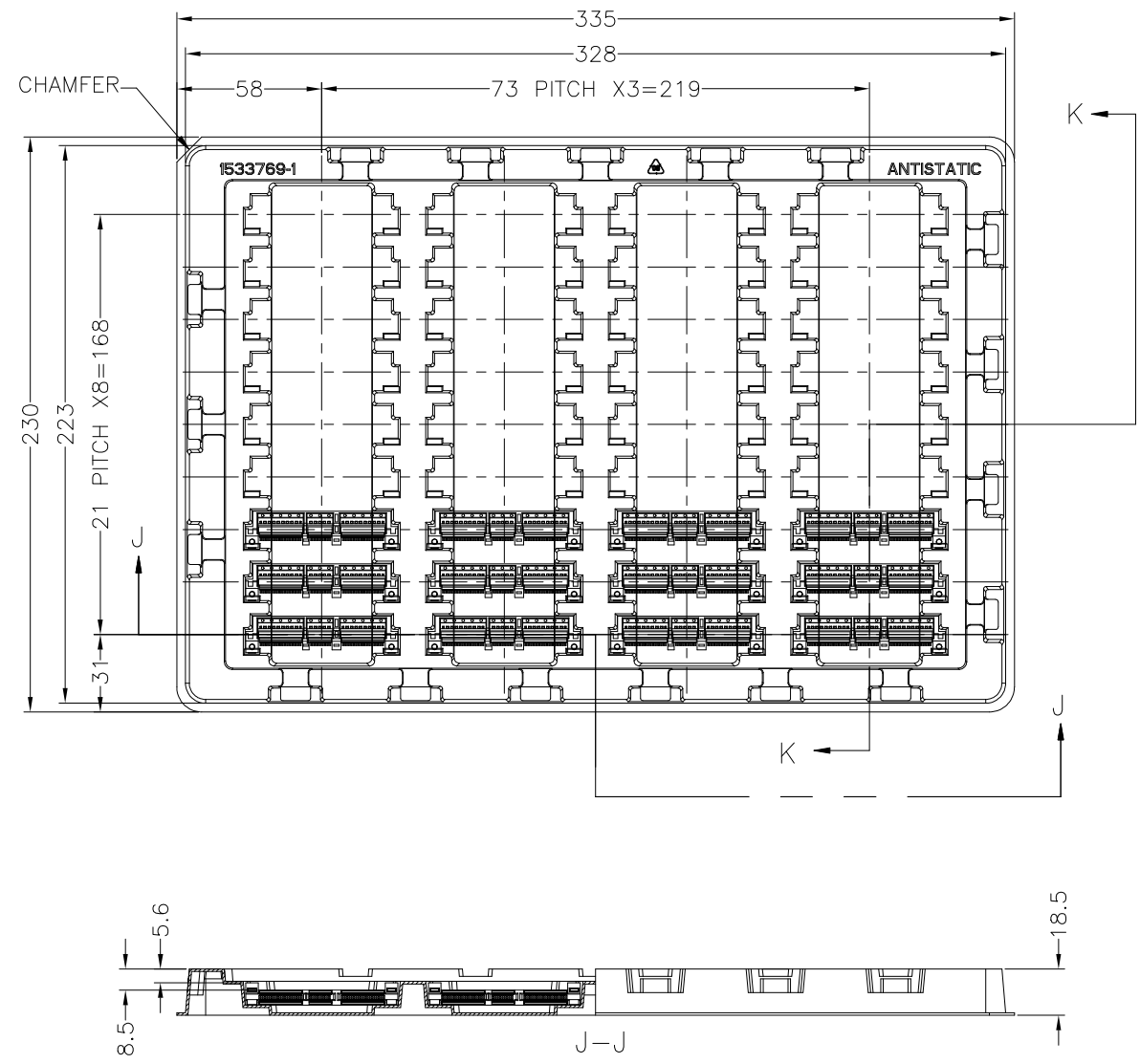
CONTACT NUMBER	SIDE A	SIDE B
36	SIGNAL	SIGNAL
37	SIGNAL	SIGNAL
38	GROUND	GROUND
39	SIGNAL	SIGNAL
40	SIGNAL	SIGNAL
41	GROUND	GROUND
42	GROUND	GROUND
43	GROUND	GROUND
44	SIGNAL	SIGNAL
45	SIGNAL	SIGNAL
46	GROUND	GROUND
47	SIGNAL	SIGNAL
48	SIGNAL	SIGNAL
49	GROUND	GROUND
50	SIGNAL	SIGNAL
51	SIGNAL	SIGNAL
52	GROUND	GROUND
53	SIGNAL	SIGNAL
54	SIGNAL	SIGNAL
55	GROUND	GROUND
56	SIGNAL	SIGNAL
57	SIGNAL	SIGNAL
58	GROUND	GROUND
59	SIGNAL	SIGNAL
60	SIGNAL	SIGNAL
61	GROUND	GROUND
62	SIGNAL	SIGNAL
63	SIGNAL	SIGNAL
64	GROUND	GROUND
65	SIGNAL	SIGNAL
66	SIGNAL	SIGNAL
67	GROUND	GROUND
68	SIGNAL	SIGNAL
69	SIGNAL	SIGNAL
70	GROUND	GROUND

PROPOSAL DRAWING

THIS PRINT IS
PRELIMINARY
 UNQUALIFIED PRODUCT
 THESE SPEC MAY BE CHANGED BASED ON
 ADDITIONAL INVESTIGATION AND TESTING
 WITHOUT YOUR PERMISSION.

THIS DRAWING IS A CONTROLLED DOCUMENT.		DWN	 TE Connectivity	
DIMENSIONS: mm		CHK	NAME	
		APVD	140 POSITION SLIVER 2.0 STRADDLE MOUNT	
TOLERANCES UNLESS OTHERWISE SPECIFIED:		PRODUCT SPEC	SIZE CAGE CODE DRAWING NO RESTRICTED TO	
0 PLC ± -		APPLICATION SPEC	A2 00779 C-2340324	
1 PLC ± -		WEIGHT	CUSTOMER DRAWING SCALE 1:1 SHEET 4 of 5 REV 9	
2 PLC ± -				
3 PLC ± -				
4 PLC ± -				
ANGLES ± -				
FINISH				

REVISIONS					
P	LTR	DESCRIPTION	DATE	DWN	APVD
-	-	SEE SHEET 1	-	-	-



SOFT TRAY PACKAGING: 2340324-1, 2340324-3, 1-2340324-2
 2-2340324-1, 2-2340324-3

1. MATERIAL: HIPS, COLOR: NATURAL
2. QTY. : 9 X 4 = 36 POCKETS PER TRAY
3. TOLERANCES ON TRAY DIMENSIONS ARE REFERENCE

HARD TRAY PACKAGING: 5-2340324-1, 6-2340324-2, 7-2340324-1
 5-2340324-3, 6-2340324-4, 7-2340324-3

1. MATERIAL: HIPS, COLOR: NATURAL
2. QTY. : 6 X 5 = 30 POCKETS PER TRAY
3. MARKING
4. TOLERANCES ON TRAY DIMENSIONS ARE REFERENCE

PROPOSAL DRAWING

THIS PRINT IS
PRELIMINARY
 UNQUALIFIED PRODUCT
 THESE SPEC MAY BE CHANGED BASED ON
 ADDITIONAL INVESTIGATION AND TESTING
 WITHOUT YOUR PERMISSION.

THIS DRAWING IS A CONTROLLED DOCUMENT.		DWN	TE Connectivity	
DIMENSIONS: mm		CHK		
TOLERANCES UNLESS OTHERWISE SPECIFIED: REF		APVD	NAME	
0-PLC ±		PRODUCT SPEC		
1-PLC ±		APPLICATION SPEC		
2-PLC ±		SIZE	CAGE CODE	DRAWING NO
3-PLC ±		A2	00779	C-2340324
4-PLC ±		RESTRICTED TO		
ANGLES ±		CUSTOMER DRAWING		
FINISH		SCALE	SHEET	REV
		1:2	5 of 5	9

Компания «Океан Электроники» предлагает заключение долгосрочных отношений при поставках импортных электронных компонентов на взаимовыгодных условиях!

Наши преимущества:

- Поставка оригинальных импортных электронных компонентов напрямую с производств Америки, Европы и Азии, а так же с крупнейших складов мира;
- Широкая линейка поставок активных и пассивных импортных электронных компонентов (более 30 млн. наименований);
- Поставка сложных, дефицитных, либо снятых с производства позиций;
- Оперативные сроки поставки под заказ (от 5 рабочих дней);
- Экспресс доставка в любую точку России;
- Помощь Конструкторского Отдела и консультации квалифицированных инженеров;
- Техническая поддержка проекта, помощь в подборе аналогов, поставка прототипов;
- Поставка электронных компонентов под контролем ВП;
- Система менеджмента качества сертифицирована по Международному стандарту ISO 9001;
- При необходимости вся продукция военного и аэрокосмического назначения проходит испытания и сертификацию в лаборатории (по согласованию с заказчиком);
- Поставка специализированных компонентов военного и аэрокосмического уровня качества (Xilinx, Altera, Analog Devices, Intersil, Interpoint, Microsemi, Actel, Aeroflex, Peregrine, VPT, Syfer, Eurofarad, Texas Instruments, MS Kennedy, Miteq, Cobham, E2V, MA-COM, Hittite, Mini-Circuits, General Dynamics и др.);

Компания «Океан Электроники» является официальным дистрибьютором и эксклюзивным представителем в России одного из крупнейших производителей разъемов военного и аэрокосмического назначения «JONHON», а так же официальным дистрибьютором и эксклюзивным представителем в России производителя высокотехнологичных и надежных решений для передачи СВЧ сигналов «FORSTAR».



JONHON

«JONHON» (основан в 1970 г.)

Разъемы специального, военного и аэрокосмического назначения:

(Применяются в военной, авиационной, аэрокосмической, морской, железнодорожной, горно- и нефтедобывающей отраслях промышленности)

«FORSTAR» (основан в 1998 г.)

ВЧ соединители, коаксиальные кабели, кабельные сборки и микроволновые компоненты:

(Применяются в телекоммуникациях гражданского и специального назначения, в средствах связи, РЛС, а так же военной, авиационной и аэрокосмической отраслях промышленности).



Телефон: 8 (812) 309-75-97 (многоканальный)

Факс: 8 (812) 320-03-32

Электронная почта: ocean@oceanchips.ru

Web: <http://oceanchips.ru/>

Адрес: 198099, г. Санкт-Петербург, ул. Калинина, д. 2, корп. 4, лит. А