

DATA SHEET

SKY13526-485LF: 0.4 to 3.8 GHz SP6T LTE Transmit/Receive Switch with MIPI RFFE Interface

Applications

- 2G/3G/4G multimode cellular tablets and handsets (LTE, UMTS, CDMA2000, EDGE)
- Embedded data cards

Features

- Broadband frequency range: 0.4 to 3.8 GHz
- Low insertion loss
- High isolation and linearity
- External MIPI select pin
- Six linear TRX ports with isolation greater than 20 dB @ 2.7 GHz
- Small QFN (14-pin, 2 x 2 mm) package (MSL1, 260 °C per JEDEC J-STD-020)



Skyworks Green™ products are compliant with all applicable legislation and are halogen-free. For additional information, refer to *Skyworks Definition of Green™*, document number SQ04-0074.

Description

The SKY13526-485LF is a single-pole, six-throw (SP6T) antenna switch with a Mobile Industry Processor Interface (MIPI).

Using advanced switching technologies, the SKY13526-485LF maintains low insertion loss and high isolation for both transmit and receive switching paths. The high linearity performance and low insertion loss achieved by the SKY13526-485LF makes it an ideal choice for UMTS, CDMA2000, EDGE, and LTE applications.

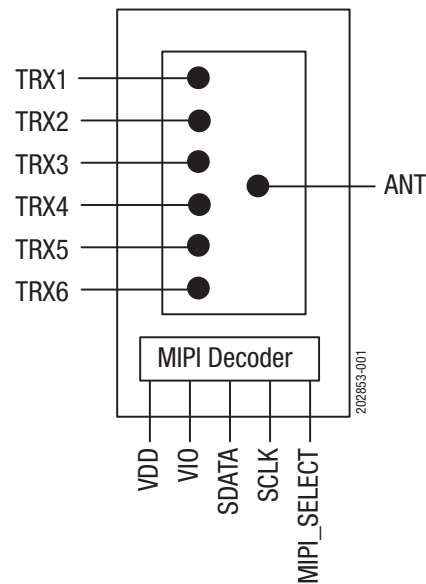


Figure 1. SKY13526-485LF Block Diagram

Depending on the logic applied to the decoder, the antenna pin is connected to one of six switched RF ports using a low insertion loss path, while the paths between the antenna pin and the other RF pins are in a high isolation state. Switching is controlled by the MIPI decoder. There is an external MIPI select pin that enables how the switch responds to power mode triggers. When this pin is grounded, the switch responds to any of the power mode triggers. When this pin is left open, the switch responds to individual power mode triggers. No external DC blocking capacitors are required on the RF paths as long as no DC voltage is applied.

The SKY13526-485LF is manufactured in a compact, 2 x 2 mm, 14-pin surface mount Quad Flat No-Lead (QFN) package.

A functional block diagram is shown in Figure 1. The pin configuration and package are shown in Figure 2. Signal pin assignments and functional pin descriptions are provided in Table 1.

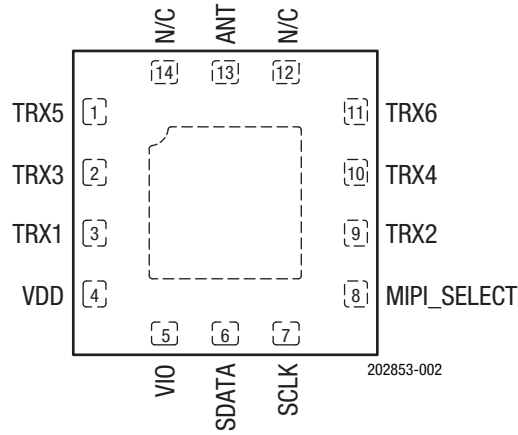


Figure 2. SKY13526-485LF Pinout (Top View)

Table 1. SKY13526-485LF Signal Descriptions¹

Pin	Name	Description	Pin	Name	Description
1	TRX5	RF I/O path 5	8	MIPI_SELECT	MIPI interface select. When this pin is grounded, the switch responds to any of the power mode triggers. When this pin is left open, the switch is RFFE MIPI compliant and responds to individual power mode triggers.
2	TRX3	RF I/O path 3	9	TRX2	RF I/O path 2
3	TRX1	RF I/O path 1	10	TRX4	RF I/O path 4
4	VDD	DC power supply	11	TRX6	RF I/O path 6
5	VIO	MIPI decoder interface/reference voltage	12	N/C	Not connected
6	SDATA	Data input/output	13	ANT	Antenna port
7	SCLK	Clock signal	14	N/C	Not connected

¹ Bottom ground paddles must be connected to ground.

Electrical and Mechanical Specifications

The absolute maximum ratings of the SKY13526-485LF are provided in Table 2. Electrical specifications are provided in Tables 3 through 7.

IMD2 and IMD3 test conditions for various frequencies are listed in Tables 8 and 9, respectively.

Triple beat ratio (TBR) test conditions for bands 2 and 5 are listed in Table 10.

Figure 3 illustrates the test setup used to measure intermodulation products. This industry standardized test is used to simulate the WCDMA Band 1 linearity of the antenna switch. A +20 dBm continuous wave (CW) signal, f_{FUND} , is sequentially applied to the TRX1 through TRX6 ports, while a -15 dBm CW blocker signal, f_{BLK} , is applied to the ANT port.

The resulting third order intermodulation distortion (IMD3), f_{RX} , is measured over all phases of f_{FUND} . The SKY13526-485LF exhibits exceptional performance for all TRXx ports.

Table 11 describes the register content and programming read/write sequences. Refer to the *MIPI Alliance Specification for RF Front-End Control Interface (RFFE)*, v1.10 (26 July 2011) for additional information on MIPI programming sequences and MIPI bus specifications.

Figures 4 and 5 provide the timing diagrams for register write commands and read commands, respectively.

Table 12 provides the Register_0 logic. Table 13 describes the register parameters and bit values.

Table 2. SKY13526-485LF Absolute Maximum Ratings¹

Parameter	Symbol	Minimum	Maximum	Units
Power supply	VDD	2.5	5.0	V
Digital control signal, MIPI select signal	VIO		2	V
RF input power: TRx1, 2, 3, and 4 TRx5 and 6	PIN		+34 +38	dBm dBm
Storage temperature	TSTG	-55	+150	°C
Operating temperature	TOP	-30	+90	°C

¹ Exposure to maximum rating conditions for extended periods may reduce device reliability. There is no damage to device with only one parameter set at the limit and all other parameters set at or below their nominal value. Exceeding any of the limits listed here may result in permanent damage to the device.

ESD HANDLING: *Although this device is designed to be as robust as possible, electrostatic discharge (ESD) can damage this device. This device must be protected at all times from ESD when handling or transporting. Static charges may easily produce potentials of several kilovolts on the human body or equipment, which can discharge without detection. Industry-standard ESD handling precautions should be used at all times.*

Table 3. SKY13526-485LF General Electrical Specifications¹

(V_{DD} = 2.85 V, V_{IO} = 1.8 V, T_{OP} = +25 °C, Characteristic Impedance [Z₀] = 50 Ω, Unless Otherwise Noted)

Parameter	Symbol	Test Condition	Min	Typ	Max	Units
Supply voltage	V _{DD}		2.50	2.85	4.80	V
Supply current, active mode	I _{DD}			35	65	μA
Supply current, low power mode	I _{DD}			10		μA
Digital control signal, MIPI select	V _{IO} , MS		1.65	1.80	1.95	V
Interface signal:						
High			0.8 x V _{IO}			V
Low					0.2 x V _{IO}	V
Control current:						
High					10	μA
Low					5	μA
Switching time				2	5	μs

¹ Performance is guaranteed only under the conditions listed in this table.

Table 4. SKY13526-485LF RF Electrical Specifications¹

(V_{DD} = 2.85 V, T_{OP} = +25 °C, Characteristic Impedance [Z₀] = 50 Ω, Unless Otherwise Noted)

Parameter	Symbol	Test Condition	Min	Typ	Max	Units
Operating frequency	f		0.4		3.8	GHz
Insertion loss	IL	0.4 to 0.960 GHz 1.710 to 1.980 GHz 1.980 to 2.690 GHz 3.4 to 3.6 GHz 3.6 to 3.8 GHz		0.40 0.45 0.70 0.90 1.10	0.50 0.55 0.85 1.20 1.50	dB dB dB dB dB
Isolation (ANT port to any receive port) (see Table 5)	I _{so}	0.4 to 0.960 GHz 1.710 to 1.980 GHz 1.980 to 2.690 GHz 3.4 to 3.6 GHz 3.6 to 3.8 GHz	30 25 20 18 17	34 28 23 22 20		dB dB dB dB dB
Return loss	RL	0.4 to 2.690 GHz 3.4 to 3.6 GHz 3.6 to 3.8 GHz	14 11	20 14 10		dB dB dB
Triple beat ratio (also see Table 10)	TBR	650 to 900 MHz 1710 to 2155 MHz	+51 +51	+81 +81		dBc dBc
Second order intermodulation	IMD2	WCDMA		-110	-102	dBm
Third order intermodulation	IMD3	WCDMA		-110	-105	dBm
Large signal harmonics (P _{IN} = +25 dBm):	2fo, 3fo					
VSWR = 1:1		710 to 915 MHz 1710 to 1980 MHz 1980 to 2690 MHz 3400 to 3800 MHz ²		-69 -69 -69 -69	-60 -60 -60 -60	dBm dBm dBm dBm
VSWR = 2:1		710 to 915 MHz 1710 to 1980 MHz 1980 to 2690 MHz 3400 to 3800 MHz		-55 -55 -55 -55	-45 -45 -45 -45	dBm dBm dBm dBm

¹ Performance is guaranteed only under the conditions listed in this table.

² Except ANT to RF2.

Table 5. SKY13526-485LF Electrical Specifications: Insertion Loss, ANT to TRX Ports¹
(V_{DD} = 2.85 V, T_{OP} = +25 °C, Characteristic Impedance [Z₀] = 50 Ω, Unless Otherwise Noted)

Closed Path	Frequency (MHz)	Insertion Loss (dB)					
		TRX1	TRX2	TRX3	TRX4	TRX5	TRX6
ANT-TRX	915	-0.400	-0.393	-0.397	-0.397	-0.335	-0.317
ANT-TRX	1910	-0.605	-0.596	-0.612	-0.623	-0.492	-0.503
ANT-TRX	2690	-0.613	-0.601	-0.637	-0.648	-0.508	-0.480
ANT-TRX	3400	-0.776	-0.759	-0.803	-0.817	-0.576	-0.551
ANT-TRX	3600	-0.896	-0.911	-0.944	-0.953	-0.679	-0.643
ANT-TRX	3800	-1.081	-1.119	-1.140	-1.163	-0.838	-0.816

¹ Performance is guaranteed only under the conditions listed in this table.

Table 6. SKY13526-485LF Electrical Specifications: Isolation, ANT to TRX Ports¹
(V_{DD} = 2.85 V, T_{OP} = +25 °C, Characteristic Impedance [Z₀] = 50 Ω, Unless Otherwise Noted)

Closed Path	Frequency (MHz)	Isolation (dB)					
		TRX1	TRX2	TRX3	TRX4	TRX5	TRX6
TRX1	915		-45	-44	-41	-38	-35
TRX1	1910		-38	-34	-34	-29	-28
TRX1	2690		-35	-27	-31	-24	-25
TRX1	3400		-32	-24	-28	-21	-23
TRX1	3600		-31	-23	-27	-20	-22
TRX1	3800		-30	-22	-26	-19	-21
TRX2	915	-45		-40	-42	-35	-39
TRX2	1910	-37		-33	-33	-28	-29
TRX2	2690	-34		-30	-27	-24	-24
TRX2	3400	-31		-27	-23	-22	-21
TRX2	3600	-31		-26	-23	-21	-20
TRX2	3800	-30		-25	-22	-21	-20
TRX3	915	-47	-44		-41	-44	-36
TRX3	1910	-36	-37		-34	-32	-29
TRX3	2690	-29	-34		-31	-26	-25
TRX3	3400	-26	-31		-28	-22	-23
TRX3	3600	-25	-30		-27	-21	-22
TRX3	3800	-24	-30		-26	-21	-21
TRX4	915	-44	-45	-40		-35	-45
TRX4	1910	-37	-35	-33		-28	-33
TRX4	2690	-33	-29	-29		-24	-27
TRX4	3400	-31	-26	-27		-22	-23
TRX4	3600	-30	-25	-26		-21	-22
TRX4	3800	-30	-25	-25		-21	-22
TRX5	915	-52	-45	-41	-42		-37
TRX5	1910	-41	-38	-33	-35		-29
TRX5	2690	-35	-34	-28	-31		-26
TRX5	3400	-31	-31	-25	-28		-23
TRX5	3600	-31	-31	-25	-27		-22
TRX5	3800	-30	-30	-25	-26		-22
TRX6	915	-44	-51	-41	-41	-36	
TRX6	1910	-37	-41	-33	-34	-28	
TRX6	2690	-33	-35	-30	-29	-25	
TRX6	3400	-31	-31	-27	-26	-23	
TRX6	3600	-30	-31	-26	-25	-22	
TRX6	3800	-29	-30	-25	-25	-21	

¹ Performance is guaranteed only under the conditions listed in this table.

Table 7. SKY13526-485LF Electrical Specifications: Isolation, TRX to TRX Ports¹
(V_{DD} = 2.85 V, T_{OP} = +25 °C, Characteristic Impedance [Z₀] = 50 Ω, Unless Otherwise Noted)

Closed Path	Frequency (MHz)	Isolation (dB)					
		TRX1	TRX2	TRX3	TRX4	TRX5	TRX6
TRX1	915		-49	-30	-52	-41	-53
TRX1	1910		-41	-23	-40	-32	-41
TRX1	2690		-36	-19	-34	-28	-34
TRX1	3400		-33	-17	-31	-24	-30
TRX1	3600		-33	-17	-30	-24	-29
TRX1	3800		-32	-16	-29	-23	-29
TRX2	915	-49		-52	-29	-52	-40
TRX2	1910	-41		-41	-22	-41	-32
TRX2	2690	-37		-34	-19	-34	-27
TRX2	3400	-33		-31	-17	-30	-24
TRX2	3600	-33		-30	-16	-29	-23
TRX2	3800	-32		-29	-16	-29	-23
TRX3	915	-31	-50		-52	-33	-51
TRX3	1910	-24	-42		-41	-26	-40
TRX3	2690	-20	-37		-35	-22	-33
TRX3	3400	-18	-34		-31	-19	-29
TRX3	3600	-18	-34		-30	-19	-29
TRX3	3800	-17	-33		-29	-18	-28
TRX4	915	-51	-30	-53		-52	-33
TRX4	1910	-43	-23	-41		-40	-26
TRX4	2690	-38	-20	-35		-33	-22
TRX4	3400	-35	-18	-31		-30	-19
TRX4	3600	-34	-17	-30		-29	-19
TRX4	3800	-33	-17	-30		-28	-18
TRX5	915	-39	-50	-33	-51		-49
TRX5	1910	-32	-42	-26	-40		-39
TRX5	2690	-29	-38	-22	-34		-33
TRX5	3400	-26	-34	-20	-31		-29
TRX5	3600	-26	-34	-20	-30		-28
TRX5	3800	-25	-33	-19	-29		-27
TRX6	915	-51	-38	-52	-33	-51	
TRX6	1910	-43	-32	-41	-26	-40	
TRX6	2690	-38	-28	-35	-23	-33	
TRX6	3400	-35	-26	-31	-20	-29	
TRX6	3600	-34	-25	-30	-20	-28	
TRX6	3800	-33	-25	-29	-19	-27	

¹ Performance is guaranteed only under the conditions listed in this table.

Table 8. IMD2 Test Conditions

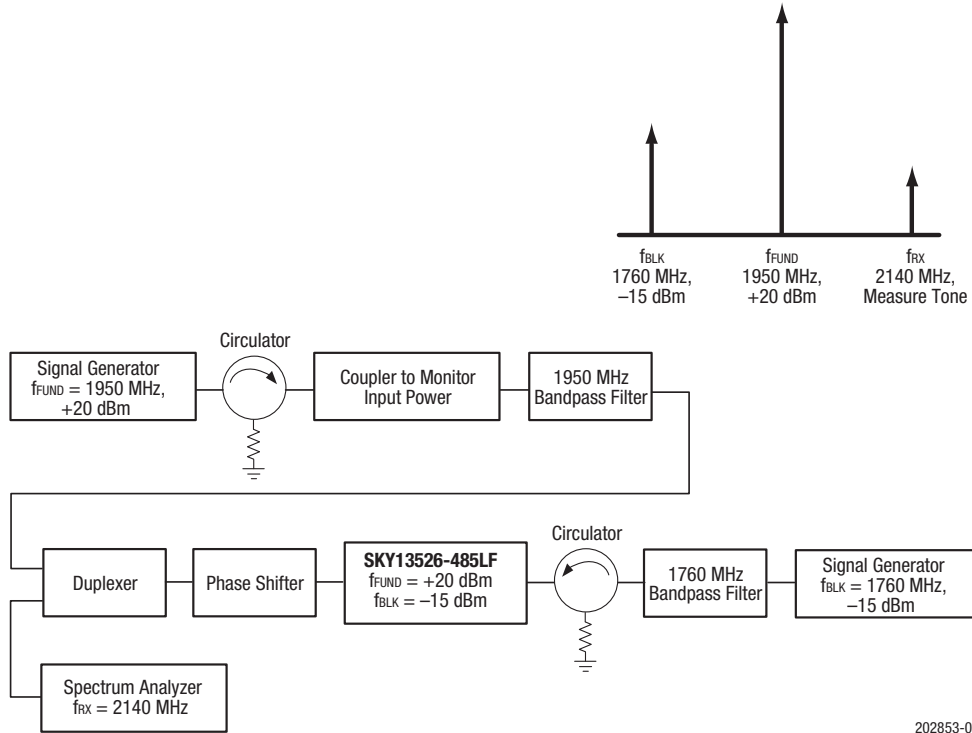
Band	Transmit Frequency (MHz)	Transmit Power (dBm)	Frequency Blocker, Low (MHz)	Frequency Blocker, High (MHz)	Power Blocker (dBm)	Receive Frequency (MHz)
1	1950.0	+20	190	4090	-15	2140.0
2	1880.0		80	3840		1960.0
4	1732.0		400	3864		2132.0
5	836.5		45	1718		881.5
7	2535.0		120	5187		2655.0
8	897.0		45	1839		942.0

Table 9. IMD3 Test Conditions

Band	Transmit Frequency (MHz)	Transmit Power (dBm)	Frequency Blocker (MHz)	Power Blocker (dBm)	Receive Frequency (MHz)
1	1950.0	+20	1760.0	-15	2140.0
2	1880.0		1800.0		1960.0
4	1732.0		1332.0		2132.0
5	836.5		791.5		881.5
7	2535.0		2415.0		2655.0
8	897.0		852.0		942.0

Table 10. Triple Beat Ratio Test Conditions

Band	Transmit Frequency 1 (MHz)	Transmit Power 1 (dBm)	Transmit Frequency 2 (MHz)	Transmit Power 2 (dBm)	Frequency Blocker @ ANT (MHz)	Power Blocker (dBm)	TBR Product Frequency (MHz)
2	1880.0	+21.5	1881.0	+21.5	1960.0	-30	1960.0 ± 1
5	836.5		881.5		881.5		881.5 ± 1



202853-001

Figure 3. Third Order Intermodulation Test Setup

Table 11. Command Sequence Bit Definitions

Type	SSC	C11-C8	C7	C6-C5	C4	C3-C0	Parity Bits	BPC	Extended Operation					
									DA7(1)-DA0(1)	Parity Bits	BPC	DA7(n)-DA0(n)	Parity Bits	BPC
Reg0 Write	Y	SA[3:0]	1	Data[6:5]	Data[4]	Data[3:0]	Y	Y	-	-	-	-	-	-
Reg Write	Y	SA[3:0]	0	10	Addr[4]	Addr[3:0]	Y	-	Data[7:0]	-	-	-	Y	Y
Reg Read	Y	SA[3:0]	0	11	Addr[4]	Addr[3:0]	Y	Y	Data[7:0]	-	-	-	Y	Y

Legend:

SSC = Sequence start command
C = Command frame bits

DA = Data/address frame bits
BPC = Bus park cycle

BC = Byte count (# of consecutive addresses)

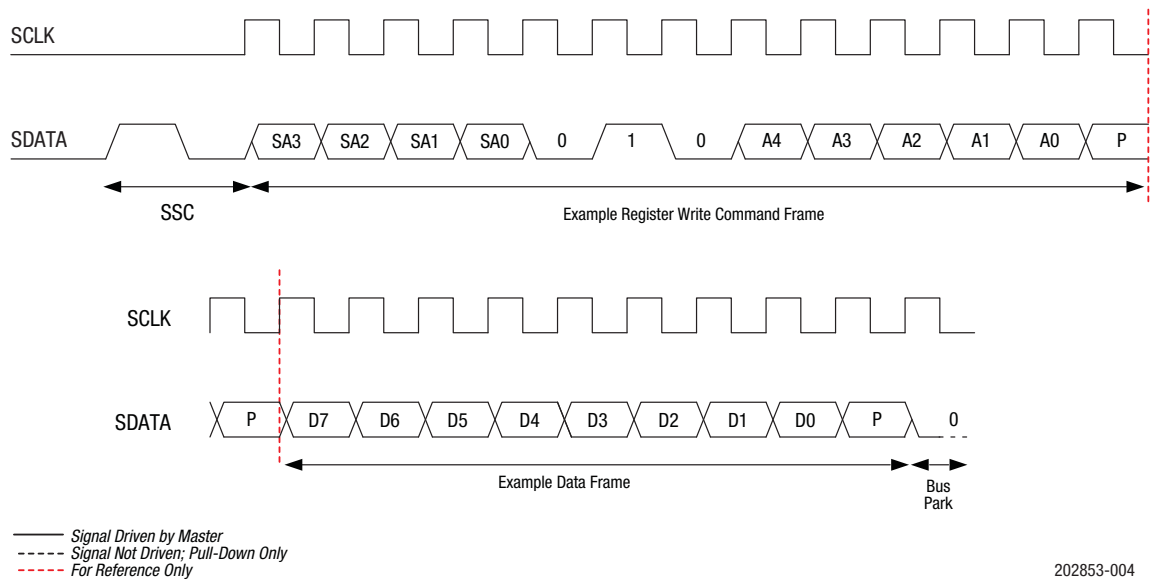


Figure 4. Register Write Command Timing Diagram

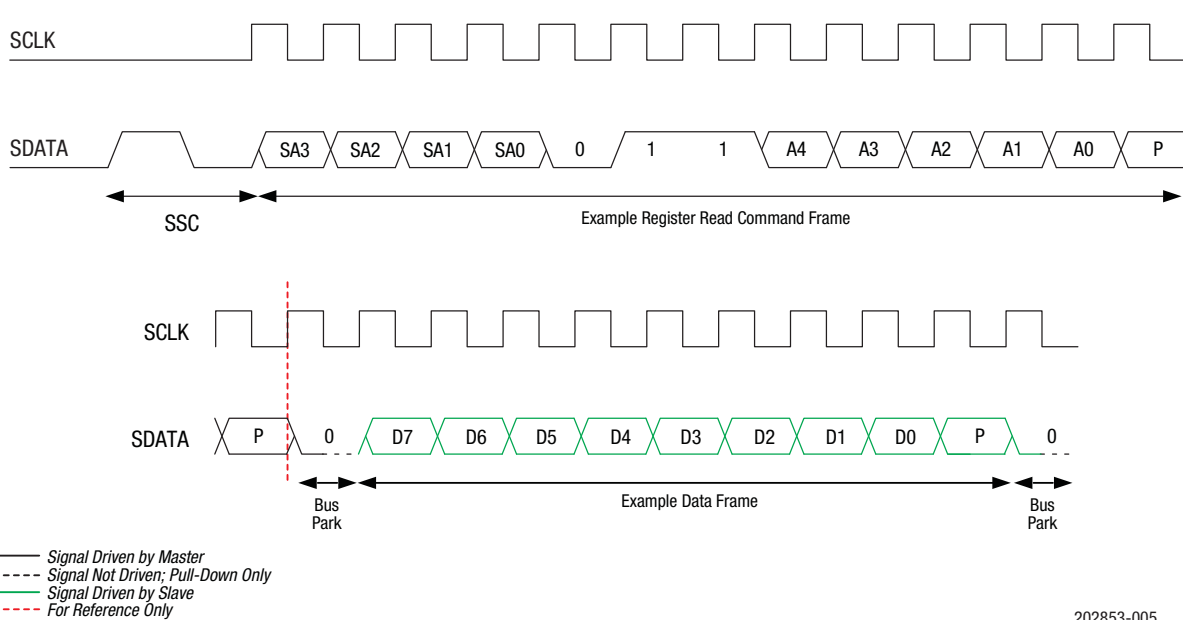


Figure 5. Register Read Command Timing Diagram

Table 12. Register_0 Truth Table

State	Mode	Register_0 Bits							
		D7	D6	D5	D4	D3	D2	D1	D0
1	Isolation (default)		0	0	0	0	0	0	0
2	TRX1		0	0	0	0	0	1	0
3	TRX2		0	0	0	1	0	1	0
4	TRX3		0	0	0	1	1	1	0
5	TRX4		0	0	0	1	0	1	1
6	TRX5		0	0	0	0	0	0	1
7	TRX6		0	0	0	1	0	0	1

Table 13. Register Description and Programming (1 of 2)

Register		Parameter	Description	Default (Binary)
Name	Address (Hex)			
Register_0	0000	MODE_CTRL	Bits[7:0]: Switch control. See Table 10 for logic	–
RFFE_STATUS	001A	SOFTWARE RESET	Bit[7]: Resets all data to default values except for USID, GSID, or the contents of the PM_TRIG Register. 0 = Normal operation 1 = Software reset	0
		COMMAND_FRAME_PARITY_ERR	Bit[6]: Command sequence received with parity error – discard command.	0
		COMMAND_LENGTH_ERR	Bit[5]: Command length error.	0
		ADDRESS_FRAME_PARITY_ERR	Bit[4]: Address frame parity error =1.	0
		DATA_FRAME_PARITY_ERR	Bit[3]: Data frame with parity error.	0
		READ_UNUSED_REG	Bit[2]: Read command to an invalid address.	0
		WRITE_UNUSED_REG	Bit[1]: Write command to an invalid address.	0
		BID_GID_ERR	Bit[0]: Read command with a BROADCAST_ID (refer to the <i>MIPI Alliance Specification</i>) or GSID.	0
GROUP_SID	001B	Reserved	Bits[7:4]: Reserved	0000
		GSID	Bits[3:0]: Group slave ID	0000

Table 13. Register Description and Programming (2 of 2)

Register		Parameter	Description	Default (Binary)
Name	Address (Hex)			
PM_TRIG (Note 1)	001C	PWR_MODE	Bits[7:6]: 00 = Normal operation (active) 01 = Default settings (startup) 10 = Low power (low power) 11 = Reserved	00
		Trigger_Mask_2	Bit[5]: If this bit is set, trigger 2 is disabled. When all triggers are disabled, if writing to a register that is associated with trigger 2, the data goes directly to the destination register.	0
		Trigger_Mask_1	Bit[4]: If this bit is set, trigger 1 is disabled. When all triggers are disabled, if writing to a register that is associated with trigger 1, the data goes directly to the destination register.	0
		Trigger_Mask_0	Bit[3]: If this bit is set, trigger 0 is disabled. When all triggers are disabled, if writing to a register that is associated with trigger 0, the data goes directly to the destination register.	0
		Trigger_2	Bit[2]: If this bit is set, data is loaded into the trigger 2 registers.	0
		Trigger_1	Bit[1]: If this bit is set, data is loaded into the trigger 1 registers (unsupported).	0
		Trigger_0	Bit[0]: If this bit is set, data is loaded into the trigger 0 registers.	0
PRODUCT_ID	001D	PRODUCT_ID	Bits[7:0]: This is a read-only register. However, during the programming of the Unique Slave Identifier (USID), a write command sequence is performed on this register but the value is not changed.	11000000
MANUFACTURER_ID	001E	MANUFACTURER_ID	Bits[7:0]: Read-only register	10100101
MAN_USID	001F	Reserved	Bits[7:6]: Reserved	00
		MANUFACTURER_ID	Bits[5:4]: Read-only register	01
		USID	Bits[3:0]: Programmable USID. A write to these bits programs the USID.	1011

Note 1: Unlike the complete independence between triggers 0, 1, and 2, and also between the associated trigger masks 0, 1, and 2, respectively, as described in the MIPI RFFE Specification, this device uses additional interactions between the provided trigger functions.

The delayed application of updated data to all triggerable registers in this device may be accomplished using any of the three triggers (0, 1, or 2), provided that the particular trigger used is not currently masked off. If multiple triggers are enabled, any or all of those are sufficient to cause the data to be transferred from shadow registers to destination registers for all triggerable registers in the device.

It is also necessary to disable all three triggers (i.e., set all three trigger masks) to ensure that data written to any triggerable register will immediately be written to the destination register at the conclusion of the RFFE command sequence where the data is written.

Evaluation Board Description

The SKY13526-485LF Evaluation Board is used to test the performance of the SKY13526-485LF SP6T Switch. An Evaluation Board schematic diagram is provided in Figure 6. A recommended ESD protection circuit diagram is provided in Figure 7. An assembly drawing for the Evaluation Board is shown in Figure 8.

Package Dimensions

The PCB layout footprint for the SKY13526-485LF is provided in Figure 9. The typical part marking is shown in Figure 10. Package dimensions are shown in Figure 11, and tape and reel dimensions are provided in Figure 12.

Package and Handling Information

Instructions on the shipping container label regarding exposure to moisture after the container seal is broken must be followed. Otherwise, problems related to moisture absorption may occur when the part is subjected to high temperature during solder assembly.

The SKY13526-485LF is rated to Moisture Sensitivity Level 1 (MSL1) at 260 °C. It can be used for lead or lead-free soldering. For additional information, refer to the Skyworks Application Note, *PCB Design and SMT Assembly/Rework Guidelines for MCM-L Packages*, document number 101752.

Care must be taken when attaching this product, whether it is done manually or in a production solder reflow environment. Production quantities of this product are shipped in a standard tape and reel format.

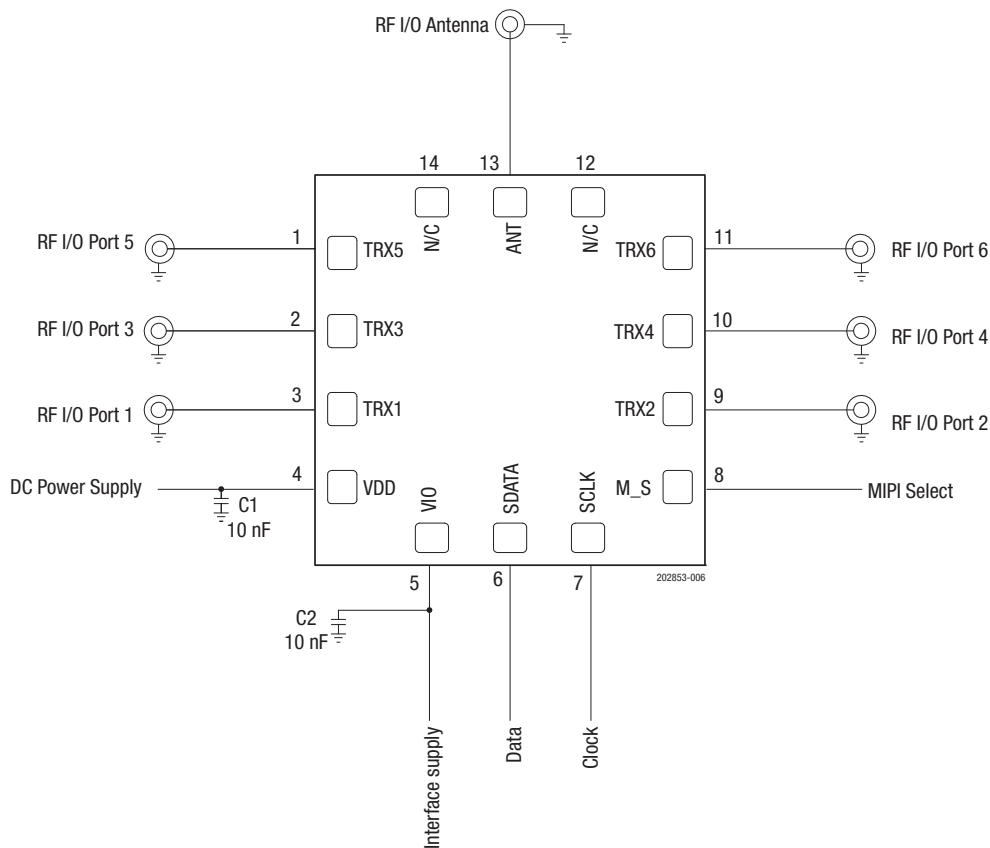
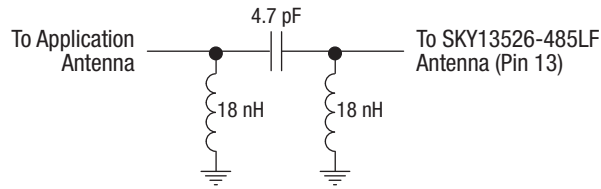
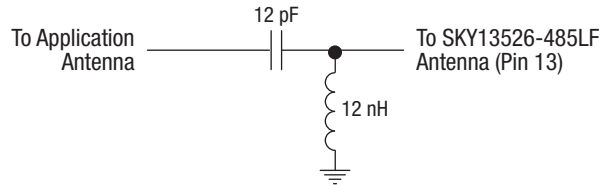


Figure 6. SKY13526-485LF Evaluation Board Schematic



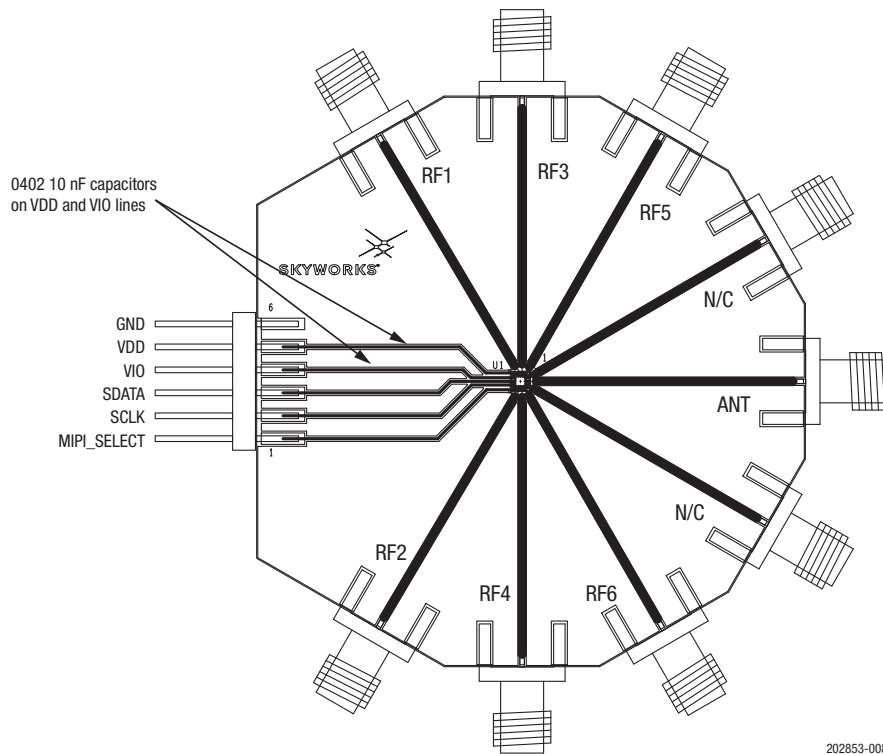
ESD Circuit 1



ESD Circuit 2

202853-007

Figure 7. SKY13526-485LF Recommended ESD Protection Circuits



202853-008

Figure 8. SKY13526-485LF Evaluation Board Assembly Diagram

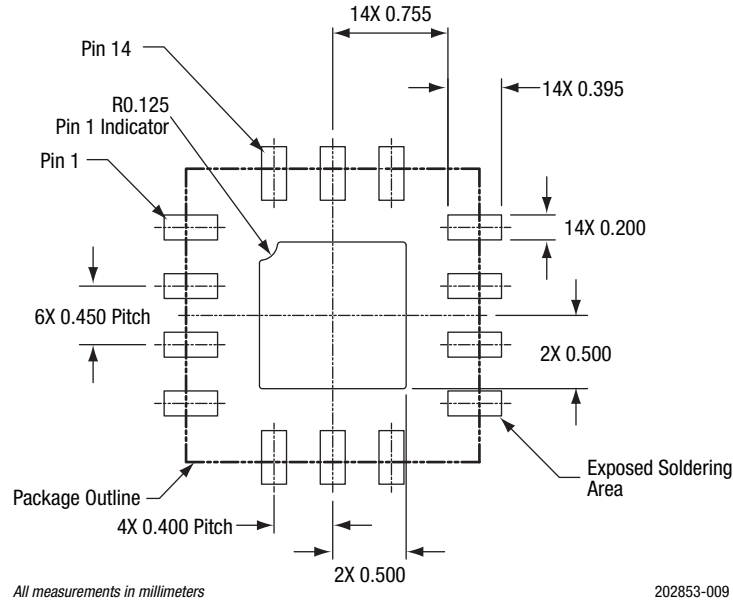


Figure 9. SKY13526-485LF PCB Layout Footprint (Top View)

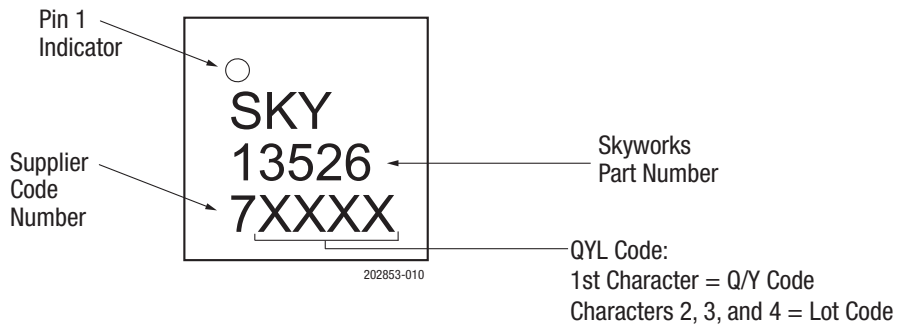


Figure 10. Typical Part Marking (Top View)

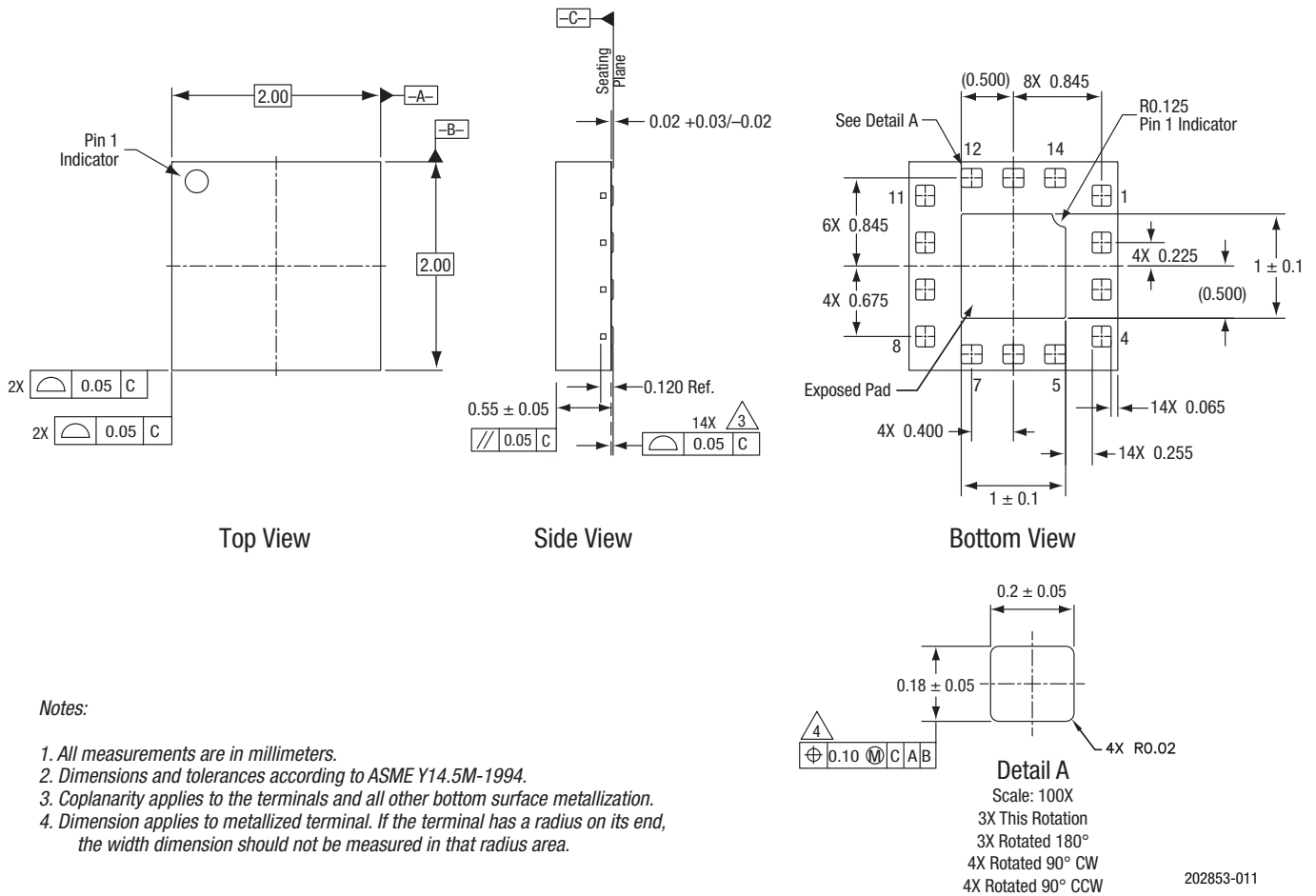


Figure 11. SKY13526-485LF Package Dimensions

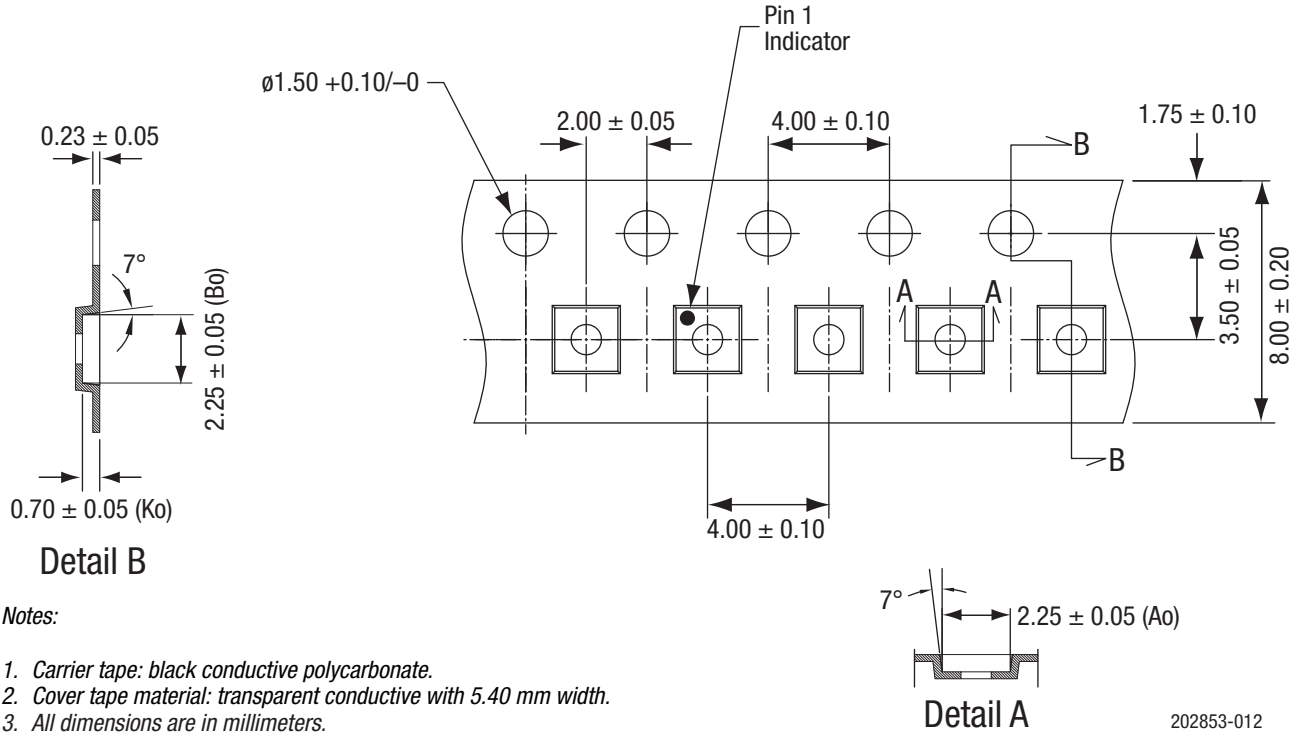


Figure 12. SKY13526-485LF Tape and Reel Dimensions

Ordering Information

Model Name	Manufacturing Part Number	Evaluation Board Part Number
SKY13526-485LF: 0.4 to 3.8 GHz SP6T LTE Transmit/Receive Switch with MIPI RFFE Interface	SKY13526-485LF	SKY13526-485LF-EVB

Copyright © 2013-2017 Skyworks Solutions, Inc. All Rights Reserved.

Information in this document is provided in connection with Skyworks Solutions, Inc. (“Skyworks”) products or services. These materials, including the information contained herein, are provided by Skyworks as a service to its customers and may be used for informational purposes only by the customer. Skyworks assumes no responsibility for errors or omissions in these materials or the information contained herein. Skyworks may change its documentation, products, services, specifications or product descriptions at any time, without notice. Skyworks makes no commitment to update the materials or information and shall have no responsibility whatsoever for conflicts, incompatibilities, or other difficulties arising from any future changes.

No license, whether express, implied, by estoppel or otherwise, is granted to any intellectual property rights by this document. Skyworks assumes no liability for any materials, products or information provided hereunder, including the sale, distribution, reproduction or use of Skyworks products, information or materials, except as may be provided in Skyworks Terms and Conditions of Sale.

THE MATERIALS, PRODUCTS AND INFORMATION ARE PROVIDED “AS IS” WITHOUT WARRANTY OF ANY KIND, WHETHER EXPRESS, IMPLIED, STATUTORY, OR OTHERWISE, INCLUDING FITNESS FOR A PARTICULAR PURPOSE OR USE, MERCHANTABILITY, PERFORMANCE, QUALITY OR NON-INFRINGEMENT OF ANY INTELLECTUAL PROPERTY RIGHT; ALL SUCH WARRANTIES ARE HEREBY EXPRESSLY DISCLAIMED. SKYWORKS DOES NOT WARRANT THE ACCURACY OR COMPLETENESS OF THE INFORMATION, TEXT, GRAPHICS OR OTHER ITEMS CONTAINED WITHIN THESE MATERIALS. SKYWORKS SHALL NOT BE LIABLE FOR ANY DAMAGES, INCLUDING BUT NOT LIMITED TO ANY SPECIAL, INDIRECT, INCIDENTAL, STATUTORY, OR CONSEQUENTIAL DAMAGES, INCLUDING WITHOUT LIMITATION, LOST REVENUES OR LOST PROFITS THAT MAY RESULT FROM THE USE OF THE MATERIALS OR INFORMATION, WHETHER OR NOT THE RECIPIENT OF MATERIALS HAS BEEN ADVISED OF THE POSSIBILITY OF SUCH DAMAGE.

Skyworks products are not intended for use in medical, lifesaving or life-sustaining applications, or other equipment in which the failure of the Skyworks products could lead to personal injury, death, physical or environmental damage. Skyworks customers using or selling Skyworks products for use in such applications do so at their own risk and agree to fully indemnify Skyworks for any damages resulting from such improper use or sale.

Customers are responsible for their products and applications using Skyworks products, which may deviate from published specifications as a result of design defects, errors, or operation of products outside of published parameters or design specifications. Customers should include design and operating safeguards to minimize these and other risks. Skyworks assumes no liability for applications assistance, customer product design, or damage to any equipment resulting from the use of Skyworks products outside of stated published specifications or parameters.

Skyworks and the Skyworks symbol are trademarks or registered trademarks of Skyworks Solutions, Inc., in the United States and other countries. Third-party brands and names are for identification purposes only, and are the property of their respective owners. Additional information, including relevant terms and conditions, posted at www.skyworksinc.com, are incorporated by reference.

Компания «Океан Электроники» предлагает заключение долгосрочных отношений при поставках импортных электронных компонентов на взаимовыгодных условиях!

Наши преимущества:

- Поставка оригинальных импортных электронных компонентов напрямую с производств Америки, Европы и Азии, а так же с крупнейших складов мира;
- Широкая линейка поставок активных и пассивных импортных электронных компонентов (более 30 млн. наименований);
- Поставка сложных, дефицитных, либо снятых с производства позиций;
- Оперативные сроки поставки под заказ (от 5 рабочих дней);
- Экспресс доставка в любую точку России;
- Помощь Конструкторского Отдела и консультации квалифицированных инженеров;
- Техническая поддержка проекта, помощь в подборе аналогов, поставка прототипов;
- Поставка электронных компонентов под контролем ВП;
- Система менеджмента качества сертифицирована по Международному стандарту ISO 9001;
- При необходимости вся продукция военного и аэрокосмического назначения проходит испытания и сертификацию в лаборатории (по согласованию с заказчиком);
- Поставка специализированных компонентов военного и аэрокосмического уровня качества (Xilinx, Altera, Analog Devices, Intersil, Interpoint, Microsemi, Actel, Aeroflex, Peregrine, VPT, Syfer, Eurofarad, Texas Instruments, MS Kennedy, Miteq, Cobham, E2V, MA-COM, Hittite, Mini-Circuits, General Dynamics и др.);

Компания «Океан Электроники» является официальным дистрибьютором и эксклюзивным представителем в России одного из крупнейших производителей разъемов военного и аэрокосмического назначения «JONHON», а так же официальным дистрибьютором и эксклюзивным представителем в России производителя высокотехнологичных и надежных решений для передачи СВЧ сигналов «FORSTAR».



JONHON

«JONHON» (основан в 1970 г.)

Разъемы специального, военного и аэрокосмического назначения:

(Применяются в военной, авиационной, аэрокосмической, морской, железнодорожной, горно- и нефтедобывающей отраслях промышленности)

«FORSTAR» (основан в 1998 г.)

ВЧ соединители, коаксиальные кабели, кабельные сборки и микроволновые компоненты:

(Применяются в телекоммуникациях гражданского и специального назначения, в средствах связи, РЛС, а так же военной, авиационной и аэрокосмической отраслях промышленности).



Телефон: 8 (812) 309-75-97 (многоканальный)

Факс: 8 (812) 320-03-32

Электронная почта: ocean@oceanchips.ru

Web: <http://oceanchips.ru/>

Адрес: 198099, г. Санкт-Петербург, ул. Калинина, д. 2, корп. 4, лит. А