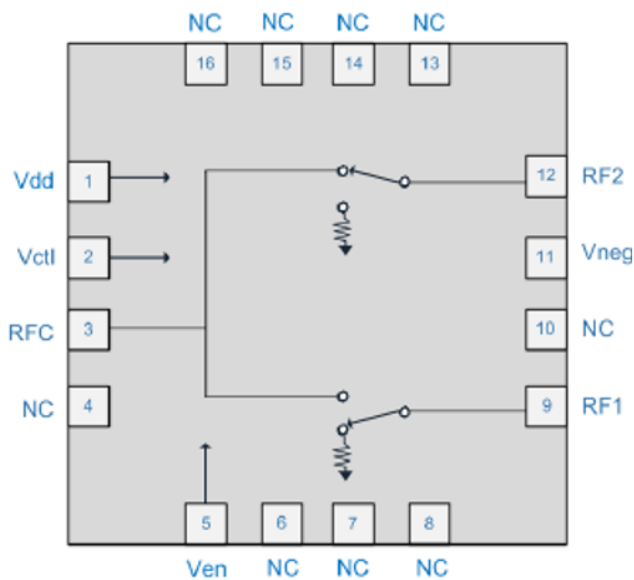


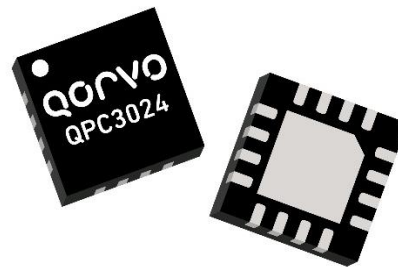
Product Overview

The QPC3024 is a 75Ω Silicon on Insulator (SOI) single-pole, double throw (SPDT) switch designed for use in CATV, satellite set top, and other high performance communications systems. It offers a high isolation symmetric topology with excellent linearity and power handling capability. No blocking caps are necessary on the RF ports. The design is non-reflective such that RF ports 1 and 2 are terminated in in the off-state. The V_{EN} pin allows for a terminated “all-off state”. Applying a negative voltage to the V_{NEG} pin will turn the negative voltage generator off and allow for external supply input.

Functional Block Diagram



Top View



16 Pad 4 x 4 mm QFN Package

Key Features

- 5 MHz to 3000 MHz Operation
- Symmetric SPDT
- Non-Reflective (RF1, RF2)
- Terminated All-Off State
- No Blocking Caps Required Unless Voltage on RF Line
- High Isolation: >65 dB at 1.2 GHz
- High Input IP3: >60 dBm
- Option to Turn Off Negative Voltage Generator and Supply V_{NEG} Externally
- 2 kV ESD
- +1.8 V Logic Compatible

Applications

- MDU Amplifiers
- Point To Point
- Optical Nodes
- Set Top Box
- PCTV
- Multi-tuner DVR

Ordering Information

| Part No. | Description |
|-------------|---|
| QPC3024SQ | Sample bag with 25 pieces |
| QPC3024SR | 7" Reel with 100 pieces |
| QPC3024TR13 | 13" Reel with 2500 pieces |
| QPC3024PCK | 5 – 3000 MHz PCBA with 5 pc. sample bag |

Absolute Maximum Ratings

| Parameter | Rating |
|--|---------------|
| Control Voltage (V_{CTL} , V_{EN}) | +6.0 V |
| Supply Voltage (V_{DD}) | +6.0 V |
| External Negative Supply (V_{NEG}) | -6.0 V |
| Maximum CW Input Power at 25°C | +36 dBm |
| Maximum CW Input Power, Terminated Port | +28 dBm |
| Junction Temperature | +125°C |
| Storage Temperature Range | -40 to +150°C |

Exceeding any one or a combination of the Absolute Maximum Rating conditions may cause permanent damage to the device. Extended application of Absolute Maximum Rating conditions to the device may reduce device reliability.

Recommended Operating Conditions

| Parameter | Min | Typ | Max | Units |
|---------------------------|------|-----|------|-------|
| Supply Voltage, V_{DD} | +2.7 | +3 | +5.5 | V |
| Supply Voltage, V_{NEG} | -5.5 | -5 | -3 | V |
| Temperature Range | -40 | | +105 | °C |

Electrical specifications are measured at specified test conditions. Specifications are not guaranteed over all recommended operating conditions.

Electrical Specifications

| Parameter | Conditions ⁽¹⁾ | Min | Typ | Max | Units |
|--|---------------------------|-----|------|------|-------|
| Frequency Range | | 5 | | 3000 | MHz |
| Insertion Loss | 5 MHz | | 0.38 | | dB |
| | 50 MHz | | 0.42 | | |
| | 1.2 GHz | | 0.82 | | |
| | 2 GHz | | 0.83 | | |
| | 3 GHz | | 1.4 | | |
| Isolation (RFC to RF1/RF2) | 5 MHz | | 75 | | dB |
| | 50 MHz | | 70 | | |
| | 1.2 GHz | | 66 | | |
| | 2 GHz | | 66 | | |
| | 3 GHz | | 56 | | |
| Isolation (RF1 to RF2) | 5 MHz | | 75 | | dB |
| | 50 MHz | | 70 | | |
| | 1.2 GHz | | 56 | | |
| | 2 GHz | | 52 | | |
| | 3 GHz | | 45 | | |
| Return Loss (RFC On-state) | 5 MHz | | 33 | | dB |
| | 50 MHz | | 32 | | |
| | 1.2 GHz | | 15 | | |
| | 2 GHz | | 17 | | |
| | 3 GHz | | 13 | | |
| Return Loss (RF1/RF2 Off-state) Terminated Ports | 5 MHz | | 40 | | dB |
| | 50 MHz | | 39 | | |
| | 1.2 GHz | | 19 | | |
| | 2 GHz | | 18 | | |
| | 3 GHz | | 25 | | |

Notes:

1. Test Conditions Unless Otherwise Specified: $T_A = +25^\circ\text{C}$, $V_{CTL} = 0/+5\text{ V}$, $V_{DD} = +5\text{ V}$, 75 Ω system.

Electrical Specifications (cont'd.)

| Parameter | Conditions ⁽¹⁾ | Min | Typ | Max | Units |
|--|--|-----|------|-----|-------|
| Input IP3 ⁽²⁾ | 1 GHz +12 dBm input power per tone, 1 MHz tone spacing | | 61 | | dBm |
| Input 1dB Compression Point ⁽²⁾ | 1 GHz | | 36 | | |
| Input 0.1dB Compression Point ⁽²⁾ | 1 GHz | | 36 | | |
| CSO | 130 Channel, Flat Tilt, +42 dBmV/ch | | >100 | | dBc |
| CTB | 130 Channel, Flat Tilt, +42 dBmV/ch | | >90 | | |
| Turn On Time | 90% VDD to steady state harmonics | | 7.4 | | μs |
| Settling Time | 50% control to steady state harmonics | | 3.8 | | |
| Switching Speed | 50% control to 10/90% RF | | 1.5 | | |
| NVG Spurs | Internal NVG on (F<10MHz) | | -113 | | dBm |
| Harmonics-2nd | 5 MHz | | -77 | | dBc |
| | 17 MHz | | -82 | | |
| | 170 MHz | | -95 | | |
| | 800 MHz | | -106 | | |
| Harmonics-3rd | 5 MHz | | -93 | | dBc |
| | 17 MHz | | -115 | | |
| | 170 MHz | | -119 | | |
| | 800 MHz | | -121 | | |

Notes:

1. Test Conditions Unless Otherwise Specified: T_A = +25 °C, V_{CTL} = 0/+5 V, V_{DD} = +5 V, V_{NEG} = -5 V, 75 Ω system. Drive RFC, RFx output.
2. Tested at 50Ω.

Electrical Specifications - Power Supply

| Parameter | Conditions ⁽¹⁾ | Min | Typ | Max | Units |
|--|---------------------------|-----|-----|------|-------|
| Supply Current (I _{DD}) | V _{DD} = +5.0V | | 130 | 200 | μA |
| Control Current (I _{CTL} , I _{EN}) | V _{CTL} = +5.0V | | 0.5 | 5 | μA |
| Low Control Voltage (V _{CTL} , V _{EN}) | +1.8V Logic compatible | 0 | | 0.63 | V |
| High Control Voltage (V _{CTL} , V _{EN}) | | 1.1 | | VDD | V |

Maximum Operating Power

| Input | State | VEN | Power at 85C (dBm) | Power at 105C (dBm) | Theta-J (°C/W) |
|----------------------|----------|-------------|--------------------|---------------------|----------------|
| RFC, RF1/2 | On | Low | 34 ⁽¹⁾ | 31 ⁽¹⁾ | 125 |
| RFC | Both Off | High | 30 | 27 | N/A |
| RF1/2 | Off | Low or High | 27 | 24 | 77 |
| RF1/2 (Simultaneous) | Both Off | High | 29 ⁽²⁾ | 26 ⁽²⁾ | 50 |

Notes:

1. Assuming load VSWR <3:1, for high VSWR loads, this value reduces by 3dB.
2. Total power in both loads being driving simultaneously.

Power Supply Sequencing Requirements

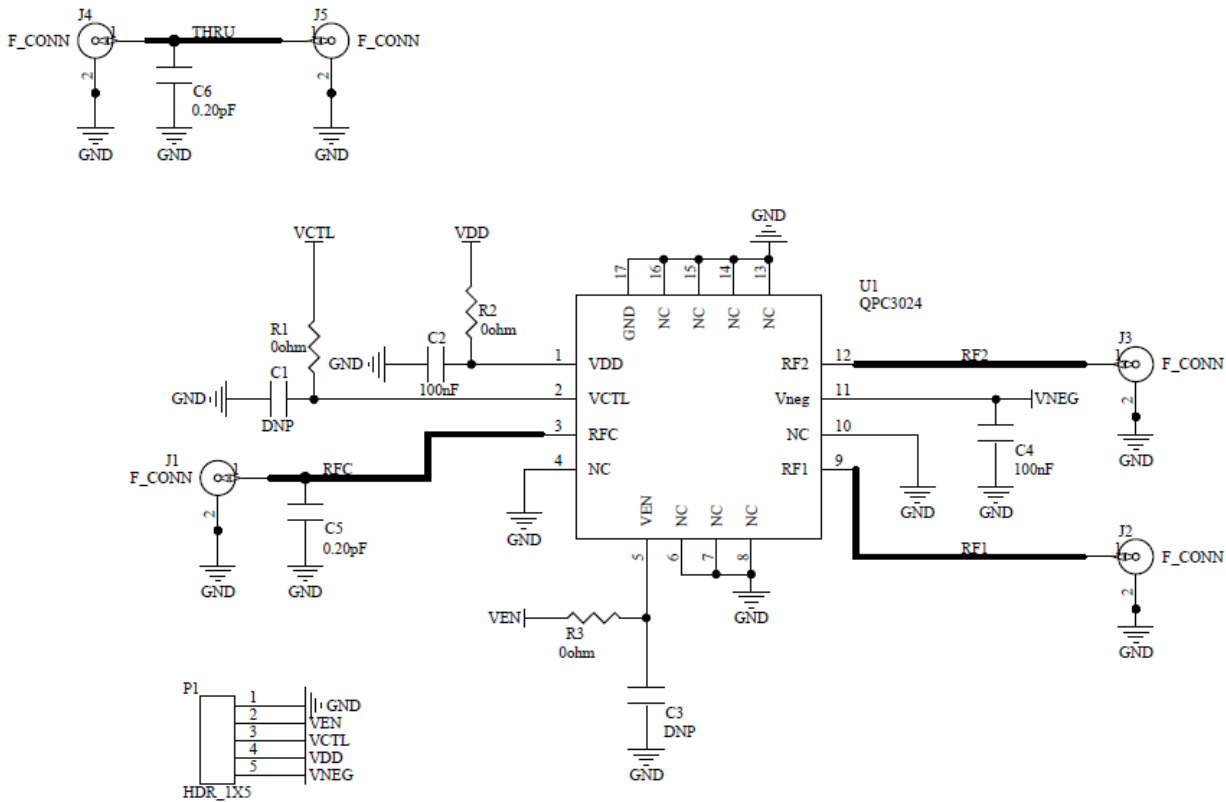
No power supply sequencing is required if VCTL or VEN are less than 4.1V. When VCTL and VEN are greater than 4.1V, for best reliability, apply VDD before the applying the control voltage.

If the internal Negative Voltage Generator (NVG) is disabled by applying a negative voltage on VNEG, VDD must be power cycled after changing VNEG to 0V to enable it again.

Truth Table

| Control Input | | Signal Path State | |
|---------------|-----|-------------------|---------|
| VCTL | VEN | RFC-RF1 | RFC-RF2 |
| 0 | 0 | On | Off |
| 1 | 0 | Off | On |
| 0 | 1 | Off | Off |
| 1 | 1 | Off | Off |

5-3000 MHz Evaluation Board Schematic (QPC3024PCK)



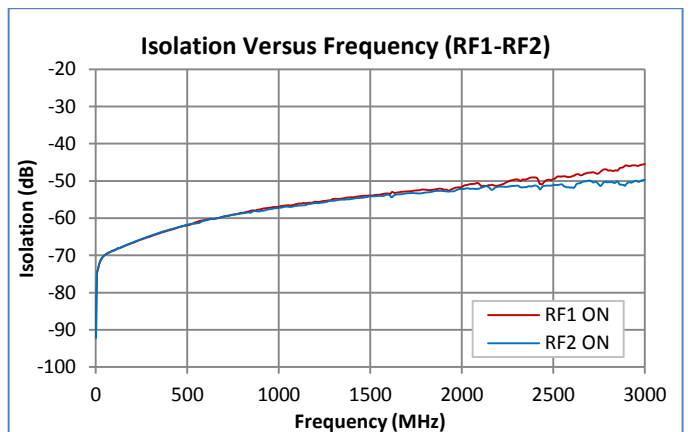
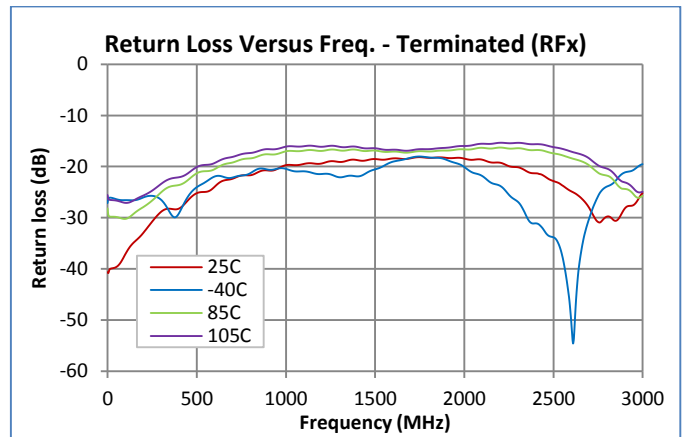
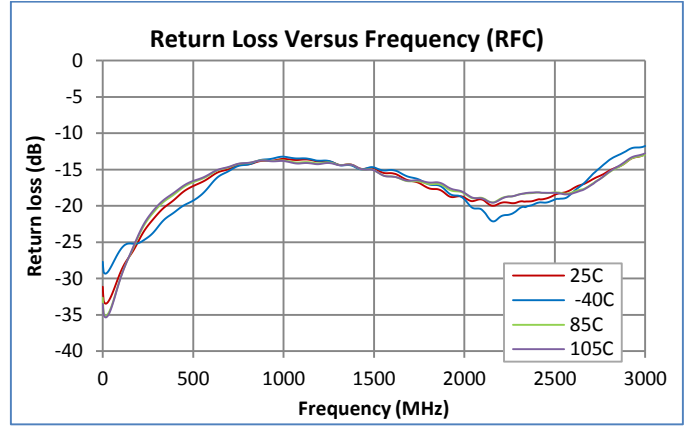
| Ref. Designator | Description | Manufacturer | Part Number |
|--------------------|--|--------------------|--------------------|
| PCB | Evaluation Board PCB | Viasystems | QPC3024-4000 |
| U1 | 75ohm High Isolation Switch | Qorvo | QPC3024SB |
| J1, J2, J3, J4, J5 | Conn, Type F, Edge Mount, 75 Ω, 0.065" | Genesis Technology | GT20-300204 |
| R1, R2, R3 | 0 Ω RES, 0402 | Panasonic | ERJ-2GE0R00X |
| P1 | Conn, HDR, ST, 5-Pin, T/H | Molex | 22-28-4053 |
| C2, C4 | 100nF 10% X7R 16V CAP, 0402 | Murata | GJM1555C1HR20RB12D |
| C5, C6 | 0.2pF +/- 0.03pF COG 50V CAP, 0402 | Murata | GRM155R71C104KA88D |
| C1, C3 | DNP | N/A | N/A |

Evaluation Board Assembly Drawing



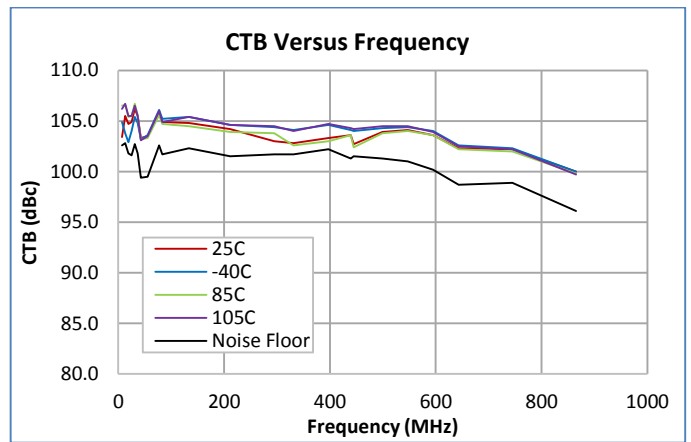
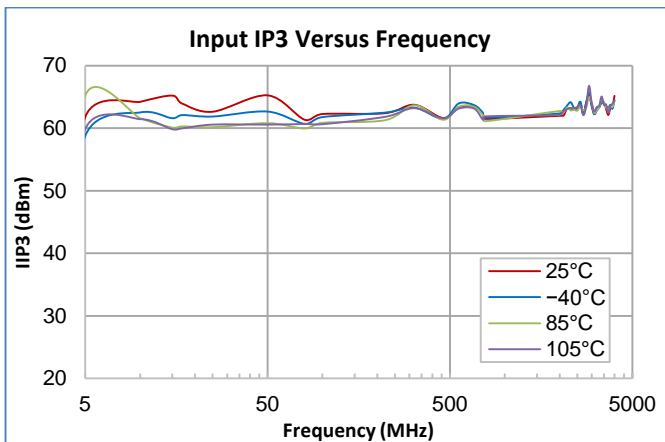
Performance Plots

Test conditions unless otherwise noted: $V_{DD} = +5V$, $V_{NEG} = -5V$, Temp = $+25^{\circ}C$, $Z_o = 75\Omega$



Performance Plots (cont'd.)

Test conditions unless otherwise noted: $V_{DD} = +5V$, $V_{NEG} = -5V$ Temp = $+25^{\circ}C$, $Z_o = 75\Omega$



Test Conditions:

1. IIP3: Two tone, 50Ω, +12dBm per Tone.
2. CSO/CTB: 130 Channels, 42dBmV per Channel, Flat Tilt.

Performance Plots (cont'd.)

Test conditions unless otherwise noted: $V_{DD} = +5V$, $V_{NEG} = -5V$, Temp = $+25^{\circ}C$, $Z_o = 75\Omega$



MER/CCN Test Conditions:

1. 190 QAM256 Channels, 57-1215MHz, ITU-T J.83, Annex B
2. CCN test procedure according to ANSI/SCTE 17. System BW 5.36MHz.

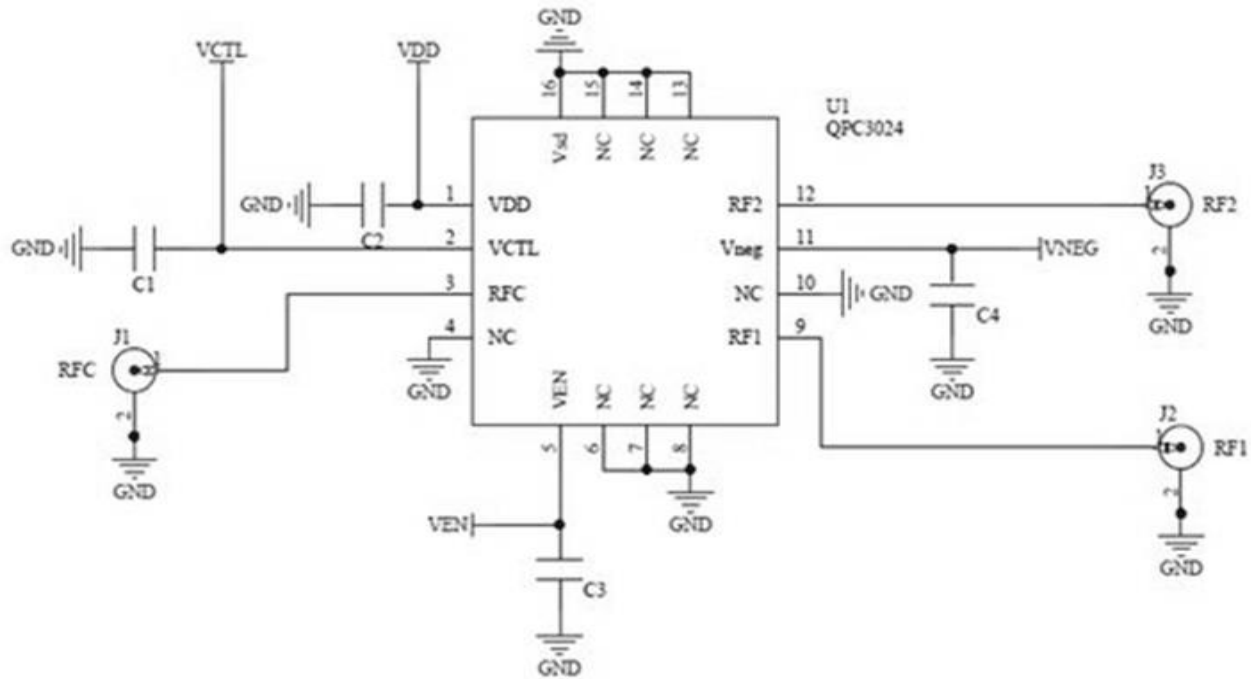
Pad Configuration and Description



Top View

| Pad No. | Label | Description |
|-------------------------|-------|--|
| 1 | VDD | Supply Voltage |
| 2 | VCTL | Logic Control Input |
| 3 | RFC | RF Common Port |
| 4 | NC | Grounding this pin is recommended for performance |
| 5 | VEN | Logic input for putting switch in "all-off state". Logic high for "all-off state". |
| 6, 7, 8, 13, 14, 15, 16 | NC | Grounding this pin is recommended to maximize isolation |
| 9 | RF1 | RF Port 1 |
| 10 | NC | Grounding this pin is recommended for performance |
| 11 | VNEG | Negative Voltage Generator (NVG) control pin. Supply GND (Low inductive path to ground) to enable internal NVG or supply -2.7 V to -5 V to disable internal NVG. Once disabled, internal NVG cannot be enabled without cycling V _{DD} . |
| 12 | RF2 | RF Port 2 |
| EPAD | GND | RF and DC Ground: Must be soldered to EVB ground plane. |

Applications Schematic; 5-1200MHz



Package Dimensions



Notes:

1. All dimensions are in millimeters. Angles are in degrees.
2. The terminal #1 identifier and terminal numbering conform to JESD 95-1 SPP-012.
3. Contact plating: NiPdAu

Package Marking



Pin 1 Indicator

Trace Code to be assigned by SubCon

Handling Precautions

| Parameter | Rating | Standard |
|----------------------------------|-----------------|-----------------------------|
| ESD – Human Body Model (HBM) | 1000V, Class C3 | ANSI/ESDA/JEDEC JS-002-2014 |
| ESD – Charged Device Model (CDM) | 2000V, Class 2 | ANSI/ESDA/JEDEC JS-002-2014 |
| MSL – Moisture Sensitivity Level | Level 2 | IPC/JEDEC J-STD-020 |



Caution!
ESD-Sensitive Device

Solderability

Compatible with both lead-free (260°C max. reflow temp.) and tin/lead (245°C max. reflow temp.) soldering processes. Solder profiles available upon request.

Contact plating: NiPdAu

RoHS Compliance

This part is compliant with EU 2002/95/EC RoHS directive (Restrictions on the Use of Certain Hazardous Substances in Electrical and Electronic Equipment). This product also has the following attributes:

- Lead Free
- Halogen Free (Chlorine, Bromine)
- Antimony Free
- TBBP-A (C₁₅H₁₂Br₄O₂) Free
- PFOS Free
- SVHC Free
- Qorvo Green



Contact Information

For the latest specifications, additional product information, worldwide sales and distribution locations:

Tel: 1-844-890-8163

Web: www.qorvo.com

Email: customer.support@qorvo.com

Important Notice

The information contained herein is believed to be reliable; however, Qorvo makes no warranties regarding the information contained herein and assumes no responsibility or liability whatsoever for the use of the information contained herein. All information contained herein is subject to change without notice. Customers should obtain and verify the latest relevant information before placing orders for Qorvo products. The information contained herein or any use of such information does not grant, explicitly or implicitly, to any party any patent rights, licenses, or any other intellectual property rights, whether with regard to such information itself or anything described by such information. **THIS INFORMATION DOES NOT CONSTITUTE A WARRANTY WITH RESPECT TO THE PRODUCTS DESCRIBED HEREIN, AND QORVO HEREBY DISCLAIMS ANY AND ALL WARRANTIES WITH RESPECT TO SUCH PRODUCTS WHETHER EXPRESS OR IMPLIED BY LAW, COURSE OF DEALING, COURSE OF PERFORMANCE, USAGE OF TRADE OR OTHERWISE, INCLUDING THE IMPLIED WARRANTIES OF MERCHANTABILITY AND FITNESS FOR A PARTICULAR PURPOSE.**

Without limiting the generality of the foregoing, Qorvo products are not warranted or authorized for use as critical components in medical, life-saving, or life-sustaining applications, or other applications where a failure would reasonably be expected to cause severe personal injury or death.

Copyright 2016 © Qorvo, Inc. | Qorvo is a registered trademark of Qorvo, Inc.

Компания «Океан Электроники» предлагает заключение долгосрочных отношений при поставках импортных электронных компонентов на взаимовыгодных условиях!

Наши преимущества:

- Поставка оригинальных импортных электронных компонентов напрямую с производств Америки, Европы и Азии, а так же с крупнейших складов мира;
- Широкая линейка поставок активных и пассивных импортных электронных компонентов (более 30 млн. наименований);
- Поставка сложных, дефицитных, либо снятых с производства позиций;
- Оперативные сроки поставки под заказ (от 5 рабочих дней);
- Экспресс доставка в любую точку России;
- Помощь Конструкторского Отдела и консультации квалифицированных инженеров;
- Техническая поддержка проекта, помощь в подборе аналогов, поставка прототипов;
- Поставка электронных компонентов под контролем ВП;
- Система менеджмента качества сертифицирована по Международному стандарту ISO 9001;
- При необходимости вся продукция военного и аэрокосмического назначения проходит испытания и сертификацию в лаборатории (по согласованию с заказчиком);
- Поставка специализированных компонентов военного и аэрокосмического уровня качества (Xilinx, Altera, Analog Devices, Intersil, Interpoint, Microsemi, Actel, Aeroflex, Peregrine, VPT, Syfer, Eurofarad, Texas Instruments, MS Kennedy, Miteq, Cobham, E2V, MA-COM, Hittite, Mini-Circuits, General Dynamics и др.);

Компания «Океан Электроники» является официальным дистрибьютором и эксклюзивным представителем в России одного из крупнейших производителей разъемов военного и аэрокосмического назначения «JONHON», а так же официальным дистрибьютором и эксклюзивным представителем в России производителя высокотехнологичных и надежных решений для передачи СВЧ сигналов «FORSTAR».



JONHON

«JONHON» (основан в 1970 г.)

Разъемы специального, военного и аэрокосмического назначения:

(Применяются в военной, авиационной, аэрокосмической, морской, железнодорожной, горно- и нефтедобывающей отраслях промышленности)

«FORSTAR» (основан в 1998 г.)

ВЧ соединители, коаксиальные кабели, кабельные сборки и микроволновые компоненты:

(Применяются в телекоммуникациях гражданского и специального назначения, в средствах связи, РЛС, а так же военной, авиационной и аэрокосмической отраслях промышленности).



Телефон: 8 (812) 309-75-97 (многоканальный)

Факс: 8 (812) 320-03-32

Электронная почта: ocean@oceanchips.ru

Web: <http://oceanchips.ru/>

Адрес: 198099, г. Санкт-Петербург, ул. Калинина, д. 2, корп. 4, лит. А