

DBL13W3P700G30LF

REFERENCE SPECIFICATIONS

-NFC 93425 (in compliance with HE 507)

PHYSICAL CHARACTERISTICS

- INSULATOR MATERIAL: THERMOPLASTIC UL94V0
- CONTACT MATERIAL: BRASS(SIGNAL CONTACT)
BRASS (POWERS CONTACT)
- ACCESSORIES: BRASS
- SHELLS: STEEL

ELECTRICAL CHARACTERISTICS

- NOMINAL CURRENT: 7.5A (SIGNAL CONTACT)
30A (POWER CONTACT)
- CONTACT RESISTANCE: <=7.3 m Ohms(SIGNAL and POWER)
- CONTACT/CONTACT : >=1000 V
- CONTACT/GROUND : >=1200 V
- INSULATION RESISTANCE: >=5000 MOhms

CLIMATIC CATEGORY: 55/125/21

TEMPERATURE RANGE -55°C TO +125°C
DAMP HEAT STEADY STATE 21 DAYS
SALT SPRAY 48 HOURS

- RETENTION AGAINST TORQUE: - Threaded insert: 0.7 N.m minimum
- Female screw : 0.5 N.m minimum

Series

Shell size: **A B C**
see sheet 3

Front accessory definition
see sheet 2

- blank** :without accessory
- L** :threaded insert M3
- O** :threaded insert UNC 4-40
- V** :female screw UNC 4-40

Layout of contacts (see sheets)

Contacts

P :Pin

Termination type

7 Right angle/USA

Plating

- 00** 200 matings/unmatings
- 43** 500 matings/unmatings

PCB accessories definition
see sheet 2

- A** :without accessory
- H** :Metal brackets+harpoons for PCB 2.40mm
- G** :Metal brackets+harpoons for PCB 1.60mm
- M** :Metal brackets

Power contacts

- 00** :Not fitted with power contact (signal contacts always fitted)
- 30** :Fitted with power contacts 30 Amp.

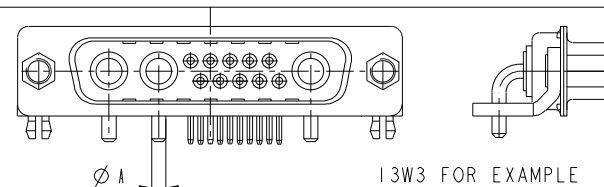
See note RoHS

NOTE RoHS INFORMATION

- The "LF" products meet european union Directives and other country regulations as described in GS-22-008.
- The housing will withstand exposure to 260°C peak temperature for 3.5 seconds in a wave solder application with a 1.6mm minimum thick circuit board. See application notes/procedures if they are available.
- Termination plating spec:
 - Signal contacts: Ni + Gold
 - Power contacts: Ni 1.27µm+Sn 2.5 to 7.5µm,pure bright
- Active area plating spec:
 - Signal and power contacts: Ni + Gold
- Shell plating :2 to 4µm Cu + Ni + 3 to 10µm Sn,pure bright
- Accessories: Sn pure bright + Nickel
- Packaging spec: See GS-14-920

TABLE 1:PCB HOLE DIAMETERS

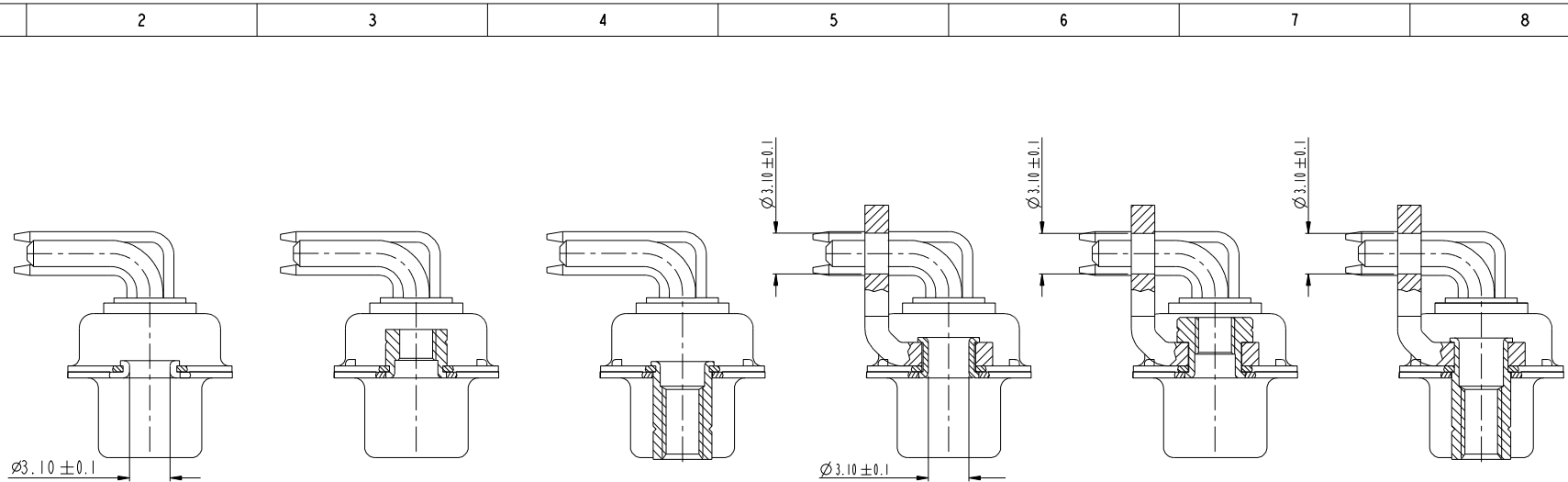
| | POWER CONTACTS | | ACCESSORIES | SIGNAL CONTACTS |
|-------------------|---------------------------------|--------------------|--------------------|--------------------|
| 30 A | 2.00 | ∅2.40 | ∅3.10 | ∅0.90 min |
| Max current power | ∅A ^{+0.1} ₀ | PCB HOLE +/-0.1 | PCB HOLE +/-0.1 | PCB HOLE +/-0.1 |



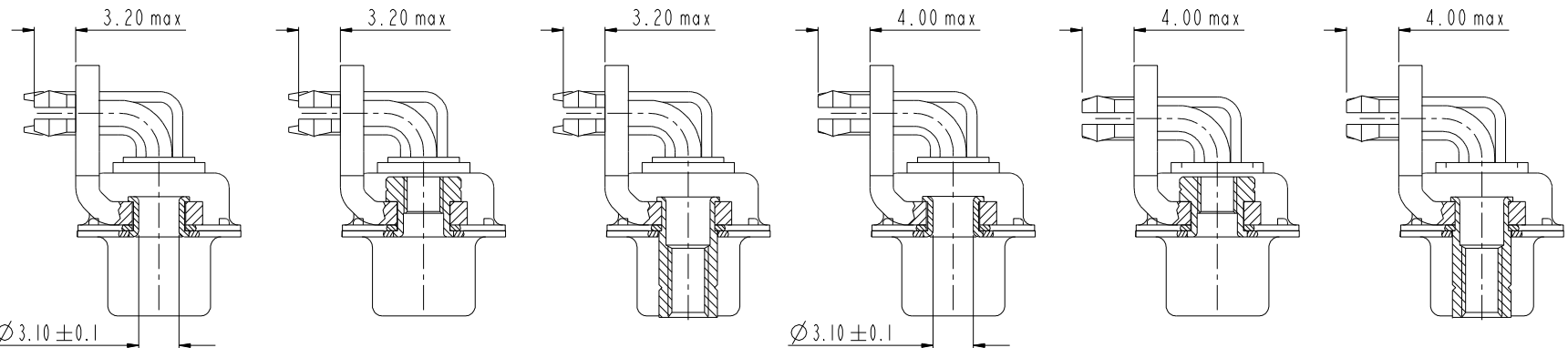
| | | | | | |
|---------------------------------------|----------|------------|------------------|------------|----------|
| www.fciconnect.com | | surface | tolerance std | projection | mm |
| | | ISO 1302 | ISO 406 ISO 1101 | | |
| TOLERANCES UNLESS OTHERWISE SPECIFIED | | | | | |
| Dr | M PESSON | 2005-10-11 | ANGULAR | size | Scale |
| Eng | P LEGARE | 2005-10-11 | LINEAR | A2 | 2:1 |
| Chr | | | 0.X | ∅.3 | |
| | | | 0.XX | ∅.1 | |
| | | | 0.XXX | ∅.05 | |
| Appr | | | 0° ±2° | ECN | F09-0092 |
| | | | Product family | Spec ref | |

| rev | ecn no | dr | date |
|-----|-----------|-----|------------|
| A | LS05-0101 | MPE | 2005-10-11 |
| B | LS06-0208 | LGO | 2006-12-12 |
| C | LS07-0273 | MPE | 2007/10/31 |
| D | F09-0092 | LSA | 2009/09/16 |

FCI TITLE SUB MALE DW US foot print
mixed power right angled solder



| | | | | | | |
|-----------------|----------------------|--|--------------------------|-------------------------|--|--------------------------|
| FRONT ACCESSORY | Blank Without | L insert M3 O insert UNC 4.40 | V insert UNC 4.40 | Blank Without | L insert M3 O insert UNC 4.40 | V insert UNC 4.40 |
| PCB ACCESSORIES | A Without | A Without | A Without | M Metal brackets | M Metal brackets | M Metal bracket |



| | | | | | | |
|-----------------|---|---|---|---|---|---|
| FRONT ACCESSORY | Blank Without | L insert M3 O insert UNC 4.40 | V insert UNC 4.40 | Blank Without | L insert M3 O insert UNC 4.40 | V insert UNC 4.40 |
| PCB ACCESSORIES | G Metal brackets + harpoons for PCB 1.60mm | G Metal brackets + harpoons for PCB 1.60mm | G Metal brackets + harpoons for PCB 1.60mm | H Metal brackets + harpoons for PCB 2.40mm | H Metal brackets + harpoons for PCB 2.40mm | H Metal brackets + harpoons for PCB 2.40mm |

| | | | | |
|---------------------------------------|----------|---------------------|-----------------------------------|------------------|
| www.fciconnect.com | | surface ISO 1302 | tolerance std ISO 406 ISO 1101 | projection mm |
| TOLERANCES UNLESS OTHERWISE SPECIFIED | | | | |
| Dr | M PESSON | 2005-10-11 | ANGULAR | size A2 |
| Eng | P LEGARE | 2005-10-11 | LINEAR | Scale 2:1 |
| Chr | | | 0° ±2° | ECN F09-0092 |
| Appr | | | Product family | Spec ref |

SCALE: 4

| | | |
|--------------|---------------|------|
| FCI | part no | Rev. |
| DESCRIPTION | C01-8639-2305 | D |
| material | | |
| sales no | | |
| customer | | |
| sheet 2 of 6 | | |

I 2 3 4 5 6 7 8

A
B
C
D
E
F

A
B
C
D
E
F

| PART NUMBER | AMPS | MATINGS/ UNMATINGS | FRONT ACCESSORY | PCB ACCESSORIES |
|-----------------|------|-----------------------|-----------------------|----------------------------------|
| D*xWxP700A30LF | 30 | 200 | without | without |
| D*LxWxP700A30LF | 30 | 200 | insert M3 | without |
| D*OxWxP700A30LF | 30 | 200 | insert UNC 4.40 | without |
| D*VxWxP700A30LF | 30 | 200 | female screw UNC 4.40 | without |
| D*xWxP700H30LF | 30 | 200 | without | metal bracket+harpoon PCB 2.40mm |
| D*LxWxP700H30LF | 30 | 200 | insert M3 | metal bracket+harpoon PCB 2.40mm |
| D*OxWxP700H30LF | 30 | 200 | insert UNC 4.40 | metal bracket+harpoon PCB 2.40mm |
| D*VxWxP700H30LF | 30 | 200 | female screw UNC 4.40 | metal bracket+harpoon PCB 2.40mm |
| D*xWxP700G30LF | 30 | 200 | without | metal bracket+harpoon PCB 1.60mm |
| D*LxWxP700G30LF | 30 | 200 | insert M3 | metal bracket+harpoon PCB 1.60mm |
| D*OxWxP700G30LF | 30 | 200 | insert UNC 4.40 | metal bracket+harpoon PCB 1.60mm |
| D*VxWxP700G30LF | 30 | 200 | female screw UNC 4.40 | metal bracket+harpoon PCB 1.60mm |
| D*xWxP700M30LF | 30 | 200 | without | metal bracket |
| D*LxWxP700M30LF | 30 | 200 | insert M3 | metal bracket |
| D*OxWxP700M30LF | 30 | 200 | insert UNC 4.40 | metal bracket |
| D*VxWxP700M30LF | 30 | 200 | female screw UNC 4.40 | metal bracket |

shell size * LAYOUTS
xWx

A 11W1
A 7W2
B 21W1
B 17W2
B 13W3
C 25W3
C 21WA4
C 27W2

| PART NUMBER | AMPS | MATINGS/ UNMATINGS | FRONT ACCESSORY | PCB ACCESSORIES |
|-----------------|------|-----------------------|-----------------------|----------------------------------|
| D*xWxP743A30LF | 30 | 500 | without | without |
| D*LxWxP743A30LF | 30 | 500 | insert M3 | without |
| D*OxWxP743A30LF | 30 | 500 | insert UNC 4.40 | without |
| D*VxWxP743A30LF | 30 | 500 | female screw UNC 4.40 | without |
| D*xWxP743H30LF | 30 | 500 | without | metal bracket+harpoon PCB 2.40mm |
| D*LxWxP743H30LF | 30 | 500 | insert M3 | metal bracket+harpoon PCB 2.40mm |
| D*OxWxP743H30LF | 30 | 500 | insert UNC 4.40 | metal bracket+harpoon PCB 2.40mm |
| D*VxWxP743H30LF | 30 | 500 | female screw UNC 4.40 | metal bracket+harpoon PCB 2.40mm |
| D*xWxP743G30LF | 30 | 500 | without | metal bracket+harpoon PCB 1.60mm |
| D*LxWxP743G30LF | 30 | 500 | insert M3 | metal bracket+harpoon PCB 1.60mm |
| D*OxWxP743G30LF | 30 | 500 | insert UNC 4.40 | metal bracket+harpoon PCB 1.60mm |
| D*VxWxP743G30LF | 30 | 500 | female screw UNC 4.40 | metal bracket+harpoon PCB 1.60mm |
| D*xWxP743M30LF | 30 | 500 | without | metal bracket |
| D*LxWxP743M30LF | 30 | 500 | insert M3 | metal bracket |
| D*OxWxP743M30LF | 30 | 500 | insert UNC 4.40 | metal bracket |
| D*VxWxP743M30LF | 30 | 500 | female screw UNC 4.40 | metal bracket |

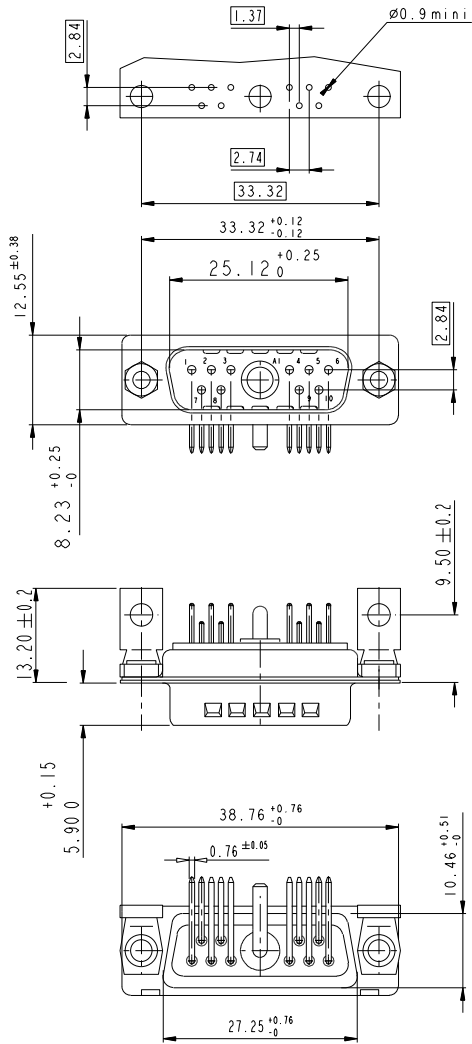


Copyright FCI.

| | | | | |
|---------------------------------------|----------|---------------------|-----------------------------------|------------------|
| www.fciconnect.com | | surface ISO 1302 | tolerance std ISO 406 ISO 1101 | projection mm |
| TOLERANCES UNLESS OTHERWISE SPECIFIED | | | | |
| Dr | M PESSON | 2005-10-11 | ANGULAR | size A2 |
| Eng | P LEGARE | 2005-10-11 | LINEAR | Scale 2:1 |
| Chr | | | 0° ±2° | ECN F09-0092 |
| Appr | | | Product family | Spec ref |

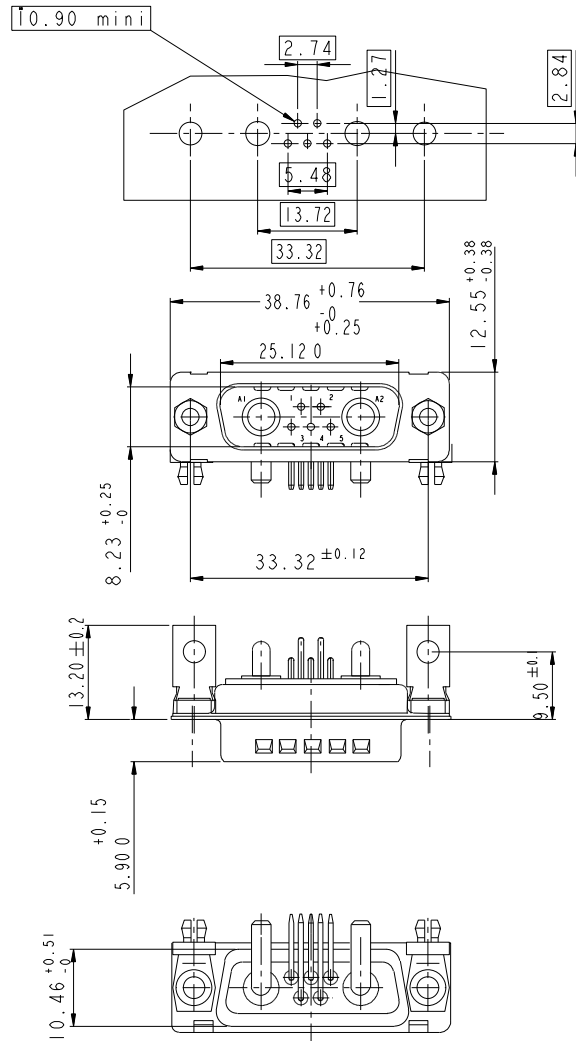
| | | | | | | |
|-----|-------|---------------------------------|---------|---------------|------|---|
| FCI | TITLE | Sub MALE DW US foot print | Part no | C01-8639-2305 | Rev. | D |
| | | mixed power right angled solder | | | | |

LAYOUT AND CONNECTOR DIMENSIONS
For PCB hole diameters see table 1 sheet 1

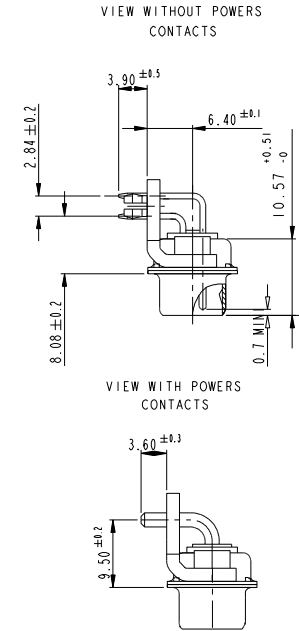


7W2

LAYOUT AND CONNECTOR DIMENSIONS
For PCB hole diameters see table 1 sheet 1



SIDE VIEW FOR ALL LAYOUTS



| | | | | |
|---------------------------------------|----------|---------------------|-----------------------------------|------------------|
| www.fciconnect.com | | surface ISO 1302 | tolerance std ISO 406 ISO 1101 | projection mm |
| TOLERANCES UNLESS OTHERWISE SPECIFIED | | | | |
| Dr | M PESSON | 2005-10-11 | ANGULAR | size A2 |
| Eng | P LEGARE | 2005-10-11 | LINEAR | Scale 2:1 |
| Chr | | | 0° ±2° | ECN F09-0092 |
| Appr | | | Product family | Spec ref |

| | | | |
|------------|---|-------------------------|-----------|
| FCI | TITLE SUB MALE DW US foot print mixed power right angled solder | ang no C01-8639-2305 | Rev. D |
|------------|---|-------------------------|-----------|

1

2

3

4

5

6

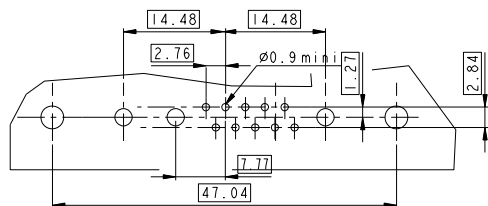
7

8

13W3

LAYOUT AND CONNECTOR DIMENSIONS

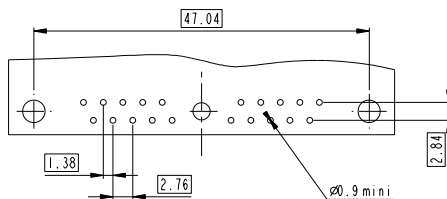
For PCB hole diameters see table 1 sheet 1



21W1

LAYOUT AND CONNECTOR DIMENSIONS

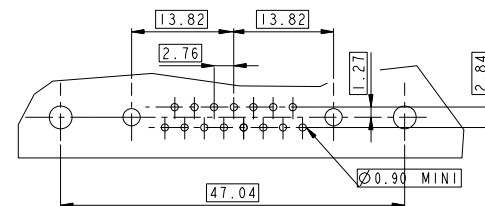
For PCB hole diameters see table 1 sheet 1



17W2

LAYOUT AND CONNECTOR DIMENSIONS

For PCB hole diameters see table 1 sheet 1



A

B

C

D

E

F

A

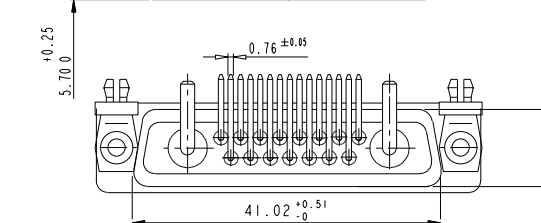
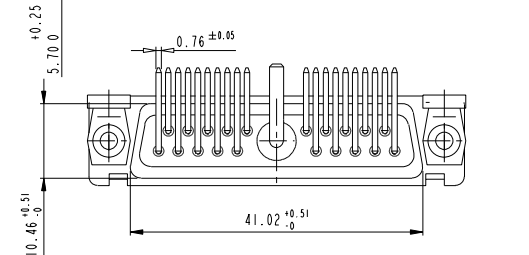
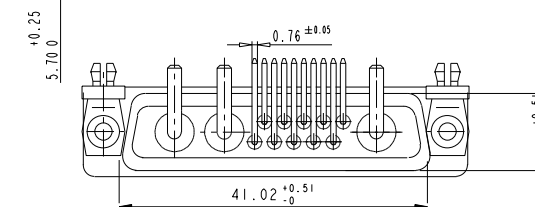
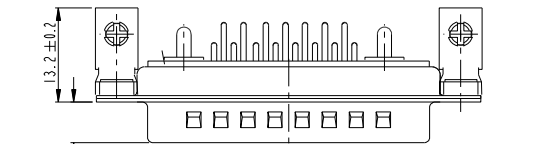
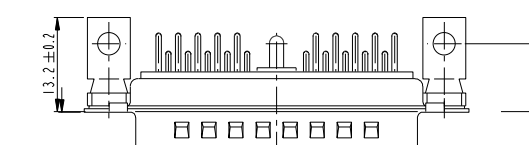
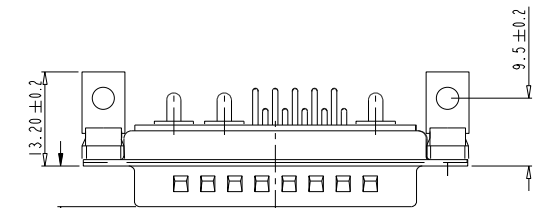
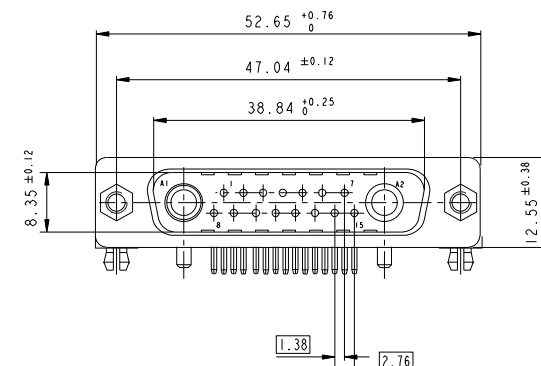
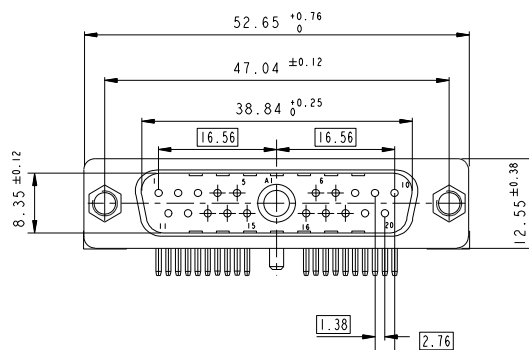
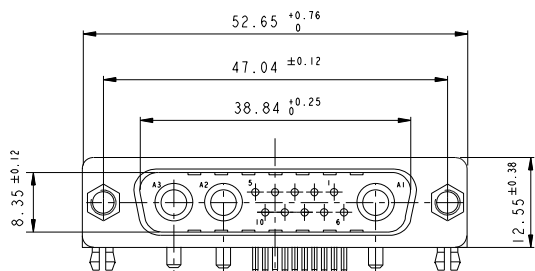
B

C

D

E

F



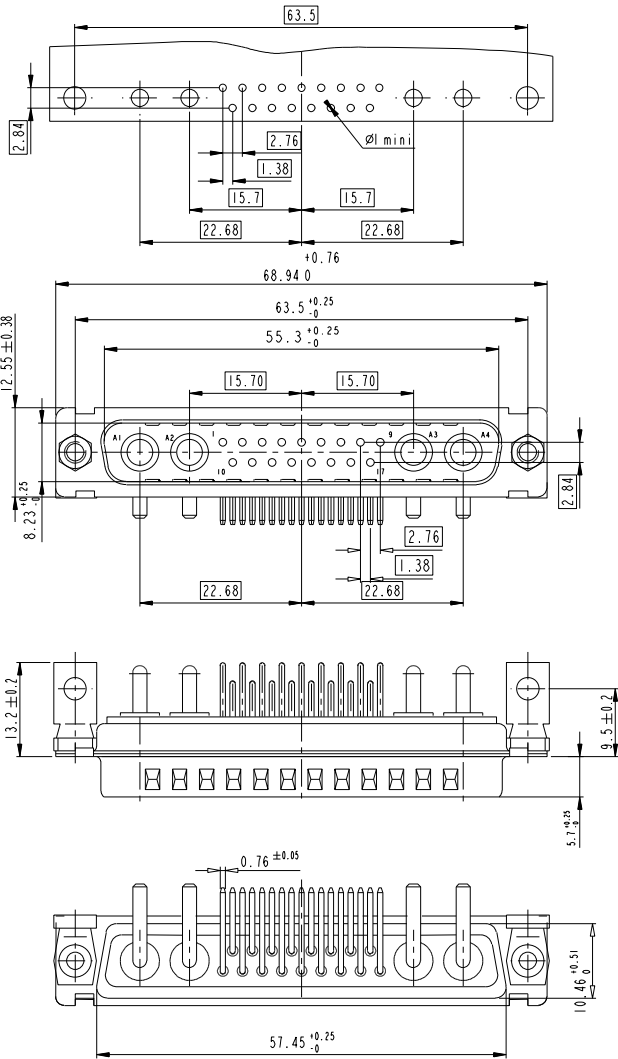
Copyright FCI. FCI

| | | | | |
|--------------------|----------|---------------------------------------|-----------------------------------|------------------|
| www.fciconnect.com | | surface ISO 1302 | tolerance std ISO 406 ISO 1101 | projection mm |
| | | TOLERANCES UNLESS OTHERWISE SPECIFIED | | |
| Dr | M PESSON | 2005-10-11 | ANGULAR | size A2 |
| Eng | P LEGARE | 2005-10-11 | LINEAR | Scale 2:1 |
| Chr | | | 0° ±2° | ECN F09-0092 |
| Appr | | | Product family | Spec ref |

| | | | |
|-----|---|----------------------|--------|
| FCI | TITLE SUB MALE DW US foot print mixed power right angled solder | eng no C01-8639-2305 | Rev. D |
|-----|---|----------------------|--------|

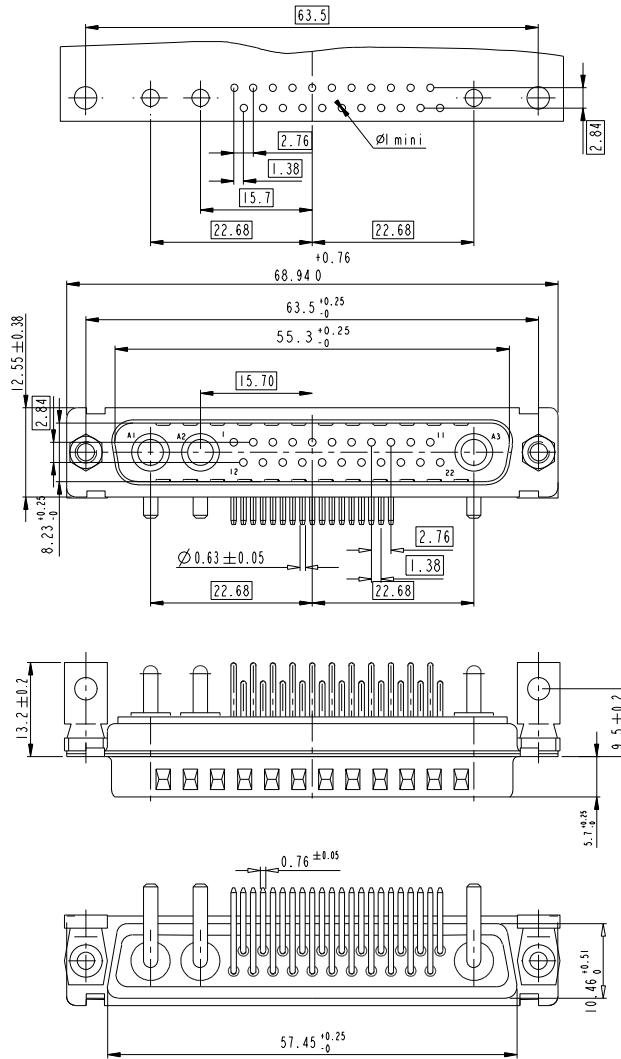
21WA4

LAYOUT AND CONNECTOR DIMENSIONS
For PCB hole diameters see table I sheet 1



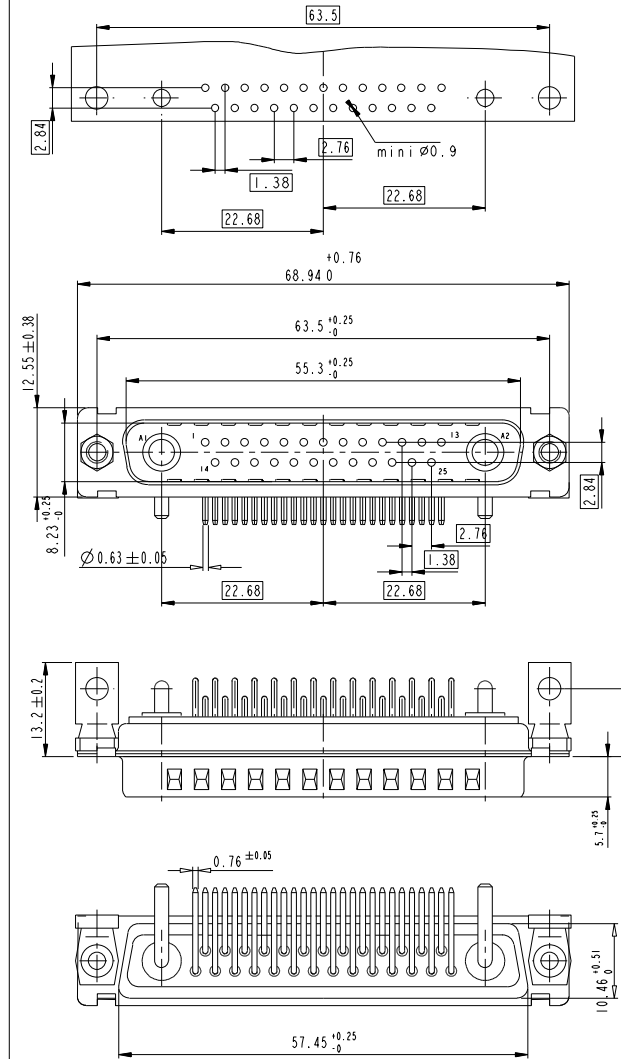
25W3

LAYOUT AND CONNECTOR DIMENSIONS
For PCB hole diameters see table I sheet 1



27W2

LAYOUT AND CONNECTOR DIMENSIONS
For PCB hole diameters see table I sheet 1



Copyright FCI.
FCI

| | | | | |
|--------------------|----------|---------------------------------------|-----------------------------------|------------------|
| www.fciconnect.com | | surface ISO 1302 | tolerance std ISO 406 ISO 1101 | projection mm |
| | | TOLERANCES UNLESS OTHERWISE SPECIFIED | | |
| Dr | M PESSON | 2005-10-11 | ANGULAR | size A2 |
| Eng | P LEGARE | 2005-10-11 | LINEAR | Scale 2:1 |
| Chr | | | 0° ± 2° | ECN F09-0092 |
| Appr | | | Product family | Spec ref |

| | | | | | |
|-----|-------|---------------------------------|--------|---------------|------|
| FCI | TITLE | SUB MALE DW US foot print | ang no | C01-8639-2305 | Rev. |
| | | mixed power right angled solder | | | D |

Компания «Океан Электроники» предлагает заключение долгосрочных отношений при поставках импортных электронных компонентов на взаимовыгодных условиях!

Наши преимущества:

- Поставка оригинальных импортных электронных компонентов напрямую с производств Америки, Европы и Азии, а так же с крупнейших складов мира;
- Широкая линейка поставок активных и пассивных импортных электронных компонентов (более 30 млн. наименований);
- Поставка сложных, дефицитных, либо снятых с производства позиций;
- Оперативные сроки поставки под заказ (от 5 рабочих дней);
- Экспресс доставка в любую точку России;
- Помощь Конструкторского Отдела и консультации квалифицированных инженеров;
- Техническая поддержка проекта, помощь в подборе аналогов, поставка прототипов;
- Поставка электронных компонентов под контролем ВП;
- Система менеджмента качества сертифицирована по Международному стандарту ISO 9001;
- При необходимости вся продукция военного и аэрокосмического назначения проходит испытания и сертификацию в лаборатории (по согласованию с заказчиком);
- Поставка специализированных компонентов военного и аэрокосмического уровня качества (Xilinx, Altera, Analog Devices, Intersil, Interpoint, Microsemi, Actel, Aeroflex, Peregrine, VPT, Syfer, Eurofarad, Texas Instruments, MS Kennedy, Miteq, Cobham, E2V, MA-COM, Hittite, Mini-Circuits, General Dynamics и др.);

Компания «Океан Электроники» является официальным дистрибьютором и эксклюзивным представителем в России одного из крупнейших производителей разъемов военного и аэрокосмического назначения «JONHON», а так же официальным дистрибьютором и эксклюзивным представителем в России производителя высокотехнологичных и надежных решений для передачи СВЧ сигналов «FORSTAR».



JONHON

«JONHON» (основан в 1970 г.)

Разъемы специального, военного и аэрокосмического назначения:

(Применяются в военной, авиационной, аэрокосмической, морской, железнодорожной, горно- и нефтедобывающей отраслях промышленности)

«FORSTAR» (основан в 1998 г.)

ВЧ соединители, коаксиальные кабели, кабельные сборки и микроволновые компоненты:

(Применяются в телекоммуникациях гражданского и специального назначения, в средствах связи, РЛС, а так же военной, авиационной и аэрокосмической отраслях промышленности).



Телефон: 8 (812) 309-75-97 (многоканальный)

Факс: 8 (812) 320-03-32

Электронная почта: ocean@oceanchips.ru

Web: <http://oceanchips.ru/>

Адрес: 198099, г. Санкт-Петербург, ул. Калинина, д. 2, корп. 4, лит. А