



LC87F2608A

CMOS IC 8K-byte FROM and 512-byte RAM integrated 8-bit 1-chip microcontroller

ON Semiconductor®

<http://onsemi.com>

Overview

The LC87F2608A is an 8-bit microcontroller that, centered around a CPU running at a minimum bus cycle time of 100ns, integrates on a single chip a number of hardware features such as 8K-byte flash ROM, 512-byte RAM, an on-chip debugger, two sophisticated 16-bit timers/counters (may be divided into 8-bit timers), a synchronous SIO interface, a high-speed 12-bit PWM, two high-speed pulse width/period counters, a 3-channel AD converter with 12-/8-bit resolution selector, an analog comparator, a watchdog timer, an internal reset circuit, a system clock frequency divider, and a 16-source 10-vector interrupt feature.

Features

■ Flash ROM

- 8192 × 8 bits (LC87F2608A)
- Capable of on-board-programming with wide range of voltage source (3.0 to 5.5V).
- Block-erasable in 128-byte units

■ RAM

- 512 × 9 bits (LC87F2608A)

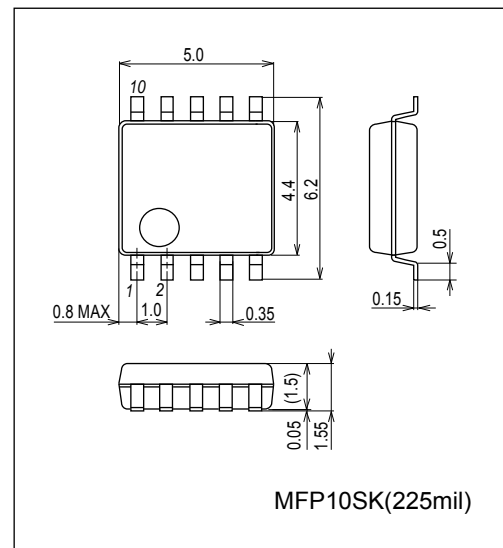
■ Package Form

- MFP10SK: Lead-/Halogen-free type
- MFP14S (for debugging only): Lead-free type
- MFP10S: Lead-/Halogen-free type (discontinued)

Package Dimensions

unit : mm (typ)

3420

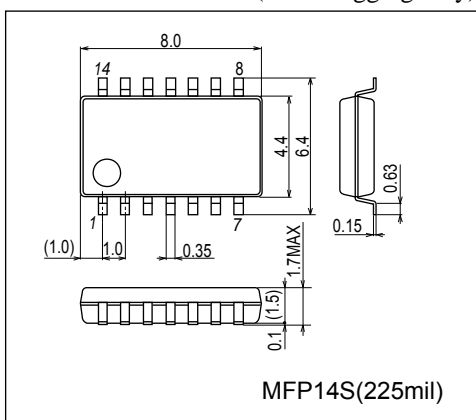


Package Dimensions

unit : mm (typ)

3111A

(for debugging only)

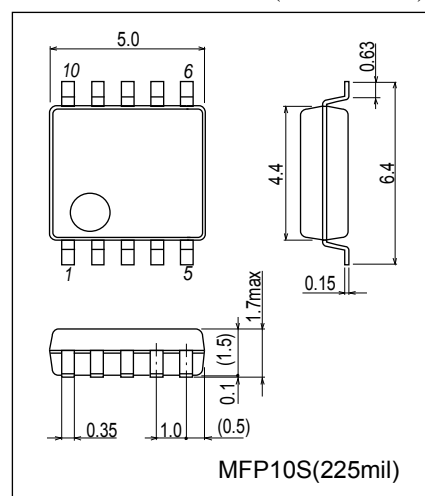


Package Dimensions

unit : mm (typ)

3086B

(discontinued)



* This product is licensed from Silicon Storage Technology, Inc. (USA).

■ Minimum Bus Cycle Time (Note1)

- 100ns (10MHz) $V_{DD}=2.7$ to 5.5V (Note2)

■ Minimum Instruction Cycle Time

- 300ns (10MHz) $V_{DD}=2.7$ to 5.5V (Note2)

Note1: The bus cycle time here refers to the ROM read speed.

Note2: Use this product in a voltage range of 3.0 to 5.5V because the minimum release voltage (PORRL) of the power-on reset (POR) circuit is $2.87V \pm 0.12V$.

■ Ports

- I/O ports

Ports whose I/O direction can be designated in 1 bit units: 7 (P10 to P12, P30 to P33)

- Reset pins: 1 (\overline{RES})
- Power pins: 2 (V_{SS1} , V_{DD1})

■ Timers

- Timer 0: 16-bit timer/counter with a capture register

Mode 0: 8-bit timer with an 8-bit programmable prescaler (with an 8-bit capture register) $\times 2$ channels

Mode 1: 8-bit timer with an 8-bit programmable prescaler (with an 8-bit capture register)
+ 8-bit counter (with an 8-bit capture register)

Mode 2: 16-bit timer with an 8-bit programmable prescaler (with a 16-bit capture register)

Mode 3: 16-bit counter (with a 16-bit capture register)

- Timer 1: 16-bit timer/counter

Mode 0: 8-bit timer with an 8-bit prescaler + 8-bit timer/counter with an 8-bit prescaler

Mode 2: 16-bit timer/counter with an 8-bit prescaler

■ Serial Interface

- SIO7: 8-bit synchronous serial interface

1) LSB first/MSB first mode selectable

2) Built-in 8-bit baudrate generator (maximum transfer clock cycle = $4/3 t_{CYC}$)

■ High-speed 12-bit PWM

- System clock/high-speed RC oscillation clock (20MHz or 40MHz) operation selectable
- Duty/period programmable
- Continuous PWM output/specific count PWM output (automatic stop) selectable

■ High-speed Pulse Width/Period Counter

- HCT1: High-speed pulse width/period counter 1

1) System clock/high-speed RC oscillation clock (20MHz or 40MHz) operation selectable

2) H-level width/L-level width/period measurement modes selectable

3) Input triggering noise filter

- HCT2: High-speed pulse width/period counter 2

1) System clock/high-speed RC oscillation clock (20MHz or 40MHz) operation selectable

2) Can measure both L-level width and period simultaneously.

3) Input triggering noise filter

4) Input trigger selectable (from 3 signals, i.e., P11/HCT2IN, P31/HCT2IN, and analog comparator output)

■ **AD Converter: 12 bits × 3 channels**

- 12-/8-bit AD converter resolution selectable

■ **Analog Comparator**

- Sends output to the P32/CMPO port (polarity selectable).
- Edge detection function (shared with INTC and also allows the selection of the noise filter function)

■ **Watchdog Timer**

- Can generate the internal reset signal on a timer overflow monitored by the WDT-dedicated low-speed RC oscillation clock (30kHz).
- Allows selection of continue, stop, or hold mode operation of the counter on entry into the HALT/ HOLD mode.

■ **Interrupt Source Flags**

- 16 sources, 10 vector addresses
 - 1) Provides three levels (low (L), high (H), and highest (X)) of multiplex interrupt control.
Any interrupt requests of the level equal to or lower than the current interrupt are not accepted.
 - 2) When interrupt requests to two or more vector addresses occur at the same time, the interrupt of the highest level takes precedence over the other interrupts.
For interrupts of the same level, the interrupt into the smallest vector address takes precedence.

No.	Vector Address	Level	Interrupt Source
1	00003H	X or L	INTA
2	0000BH	X or L	INTB
3	00013H	H or L	INTC/T0L/INTE
4	0001BH	H or L	INTD/INTF
5	00023H	H or L	T0H/SIO7
6	0002BH	H or L	T1L/T1H
7	00033H	H or L	HCT1
8	0003BH	H or L	HCT2
9	00043H	H or L	ADC/HPWM automatic stop/HPWM cycle
10	0004BH	H or L	None

- Priority levels $X > H > L$
- Of interrupts of the same level, the one with the smallest vector address takes precedence.

■ **Subroutine Stack Levels: 256 levels maximum (The stack is allocated in RAM.)**

■ **High-speed Multiplication/Division Instructions**

- 16 bits × 8 bits (5 tCYC execution time)
- 24 bits × 16 bits (12 tCYC execution time)
- 16 bits ÷ 8 bits (8 tCYC execution time)
- 24 bits ÷ 16 bits (12 tCYC execution time)

■ **Oscillation Circuits**

- Medium speed RC oscillation circuit (internal): For system clock (1MHz)
- Low speed RC oscillation circuit (internal): For watchdog timer (30kHz)
- High speed RC oscillation circuit (internal): For system clock (20MHz or 40MHz)
 - 1) 2 source oscillation frequencies (20MHz or 40MHz) selectable for the high-speed RC oscillation circuit by optional configuration.

■ **System Clock Divider Function**

- Can run on low current.
- The minimum instruction cycle selectable from 300ns, 600ns, 1.2μs, 2.4μs, 4.8μs, 9.6μs, 19.2μs, 38.4μs, and 76.8μs (when high speed RC oscillation is selected for system clock.).

■ Internal Reset Circuit

- Power-on reset (POR) function
 - 1) POR reset is generated only at power-on time.
 - 2) The POR release level can be selected from 3 levels (2.87V, 3.86V, and 4.35V) by optional configuration.
- Low-voltage detection reset (LVD) function
 - 1) LVD and POR functions are combined to generate resets when power is turned on and when power voltage falls below a certain level.
 - 2) The use or disuse of the LVD function and the low voltage threshold level (3 levels: 2.81V, 3.79V, and 4.28V) can be selected by optional configuration.

■ Standby Function

- HALT mode: Halts instruction execution while allowing the peripheral circuits to continue operation.
 - 1) Oscillation is not halted automatically.
 - 2) There are the following three ways of resetting the HALT mode.
 - (1) Setting the Reset pin to the low level
 - (2) Generating a reset signal via the watchdog timer or brown-out detector
 - (3) Having an interrupt generated
- HOLD mode: Suspends instruction execution and the operation of the peripheral circuits.
 - 1) The medium- and high-speed RC oscillation circuits automatically stop operation.
 - 2) There are the following four ways of resetting the HOLD mode.
 - (1) Setting the Reset pin to the low level
 - (2) Generating a reset signal via the watchdog timer or brown-out detector
 - (3) Setting at least one of the INTA, INTB, INTC, INTD, INTE, and INTF pins to the specified level (INTA and INTB HOLD mode reset is available only when level detection is set.)
 - (4) Applying input signals to the IN+ and IN- pins so that the analog comparator output is set to the specified level (when the analog comparator output is assigned to the INTC input)

■ On-chip Debugger Function

- Supports software debugging with the IC mounted on the target board (selectable from 3 series).
 - 1) LC87D2708A : All terminal function of LC87F2608A can be used.
 - 2) LC87F2708A : All terminal function of LC87F2608A can be used. The debug feature is limited.
 - 3) LC87F2608A : The debugger terminal function when an On-chip debugger is used cannot be used. The debug feature is limited.
- Two channels of on-chip debugger pins are available (LC87F2608A).

■ Data Security Function (Note3)

- Protects the program data stored in flash memory from unauthorized read or copy.
Note3: This data security function does not necessarily provide absolute data security.

LC87F2608A

■ Development Tools

- On-chip debugger: 1) TCB87-Type B + LC87D2708A or LC87F2708A
2) TCB87-Type B + LC87F2608A
3) TCB87-Type C (3 wire version) + LC87D2708A or LC87F2708A
4) TCB87-Type C (3 wire version) + LC87F2608A

■ Programming Board

Package	Programming Board
MFP10S	W87F27M-DBG
MFP10SK	
MFP14S	

■ Flash ROM Programming Board

Maker		Model	Version	Device
Flash Support Group, Inc. (FSG) + Our company (Note 4)	In-circuit Programmer	AF9101/AF9103 (Main body) (FSG models)	Rev.01.01 or later	LC87F2608A
		SIB87 (Inter Face Driver) (Our company model)		
Our company	Single/Gang Programmer	SKK-DBG Type B (Sanyo FWS)	Application Version 1.04 or later Chip Data Version 2.10 or later	LC87F2608A
	In-circuit/ Gang Programmer			

For information about AF-series:

Flash Support Group, Inc.

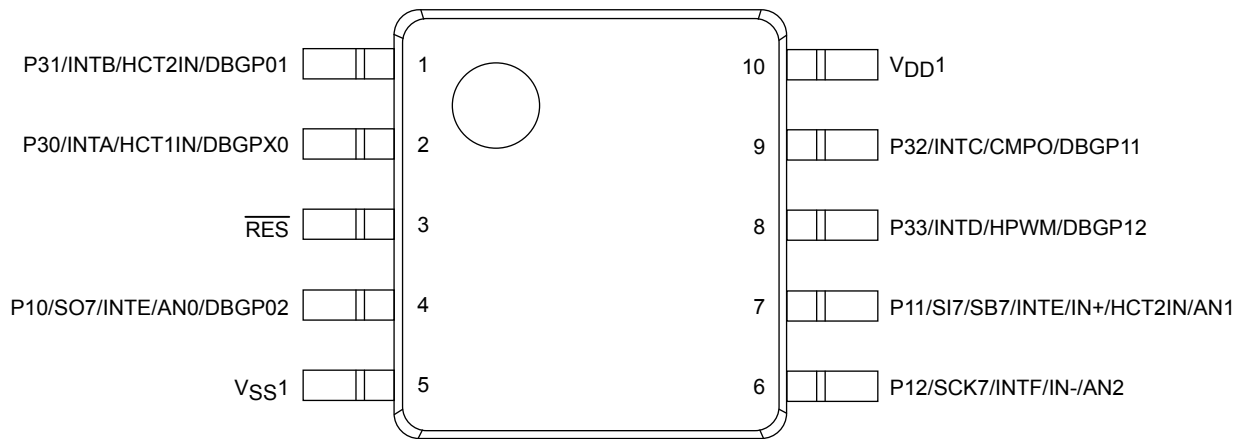
TEL: +81-53-459-1050

E-mail: sales@j-fsg.co.jp

Note4: On-board-programmer from FSG (AF9101/AF9103) and serial interface driver from Our company (SIB87) together can give a PC-less, standalone on-board-programming capabilities.

LC87F2608A

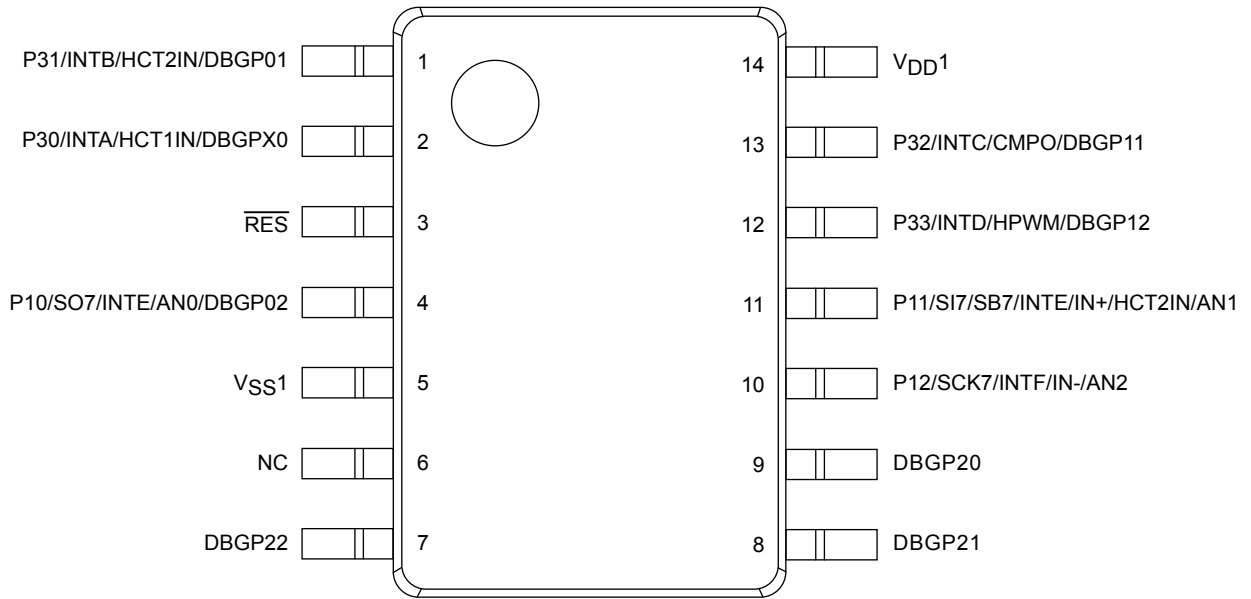
Pin Assignment



MFP10S “Lead-/Halogen-free type”
MFP10SK “Lead-/Halogen-free type”

MFP10S MFP10SK	NAME
1	P31/INTB/HCT2IN/DBGP01
2	P30/INTA/HCT1IN/DBGPX0
3	$\overline{\text{RES}}$
4	P10/SO7/INTE/AN0/DBGP02
5	V_{SS1}
6	P12/SCK7/INTF/IN-/AN2
7	P11/SI7/SB7/INTE/IN+/HCT2IN/AN1
8	P33/INTD/HPWM/DBGP12
9	P32/INTC/CMPO/DBGP11
10	V_{DD1}

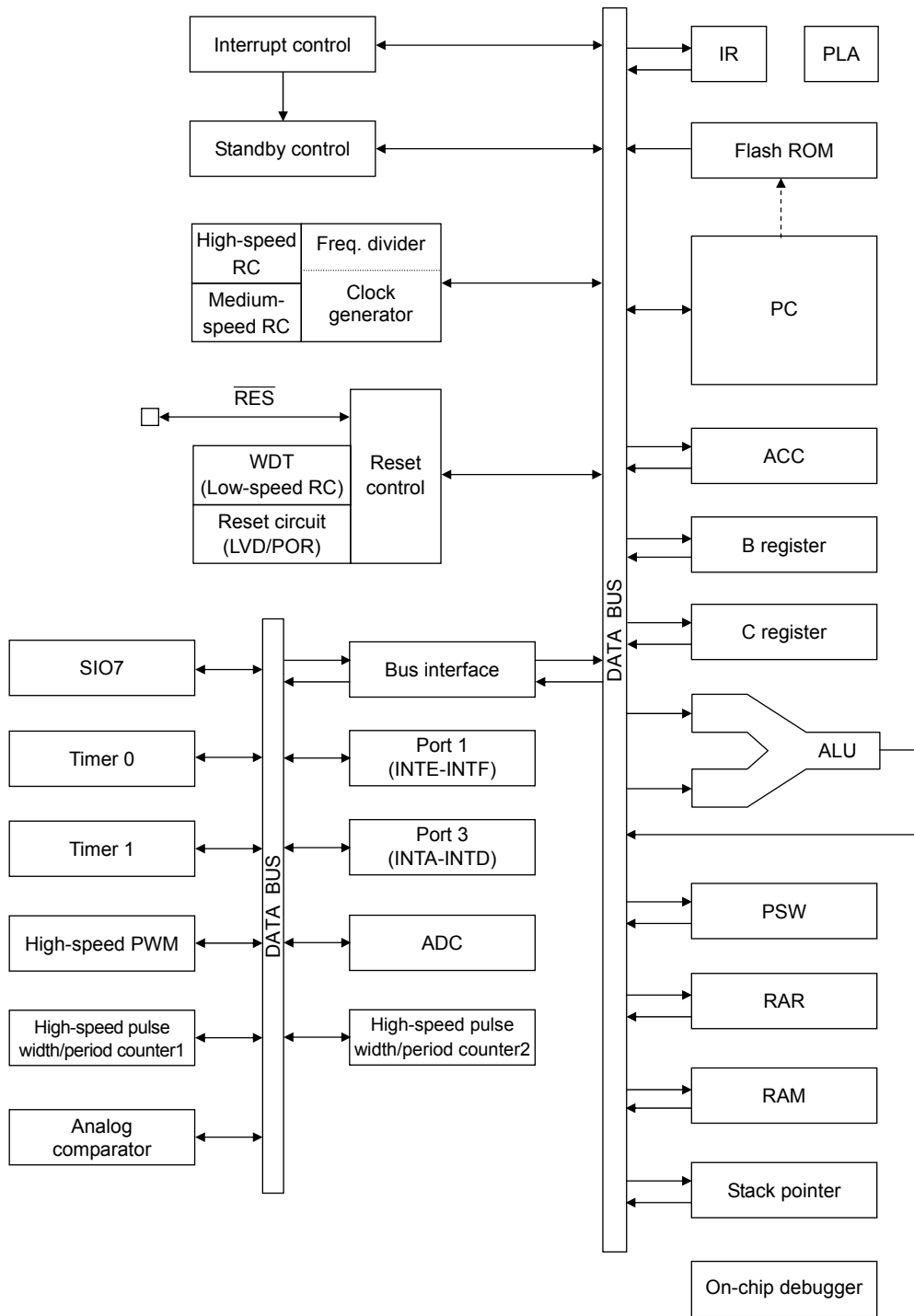
LC87F2608A



MFP14S (for debugging only) “Lead-free type”

MFP14S	NAME
1	P31/INTB/HCT2IN/DBGP01
2	P30/INTA/HCT1IN/DBGPX0
3	RES
4	P10/SO7/INTE/AN0/DBGP02
5	VSS1
6	NC
7	DBGP22
8	DBGP21
9	DBGP20
10	P12/SCK7/INTF/IN-/AN2
11	P11/SI7/SB7/INTE/IN+/HCT2IN/AN1
12	P33/INTD/HPWM/DBGP12
13	P32/INTC/CMPO/DBGP11
14	VDD1

System Block Diagram



LC87F2608A

Pin Description

Pin Name	I/O	Description	Option																														
V _{SS} 1	-	- power supply pin	No																														
V _{DD} 1	-	+ power supply pin	No																														
PORT1 P10 to P12	I/O	<ul style="list-style-type: none"> • 3-bit I/O port • I/O specifiable in 1-bit units • Pull-up resistors can be turned on and off in 1-bit units • Multiplexed pins <p>P10: SIO7 data output/ INTE input/HOLD release input/timer 1 event input/ timer 0L capture input/timer 0H capture input</p> <p>P11: SIO7 data input/bus I/O/ high-speed pulse width/period counter 2 input/ INTE input/HOLD release input/timer 1 event input/ timer 0L capture input/timer 0H capture input</p> <p>P12: SIO7 clock I/O/ INTF input/HOLD release input/timer 1 event input/ timer 0L capture input/timer 0H capture input</p> <p>AD converter input ports: AN0 to AN2 (P10 to P12)</p> <p>Analog comparator input ports: IN+, IN- (P11, P12)</p> <p>On-chip debugger pin 1: DBGP02 (P10)</p> <ul style="list-style-type: none"> • Interrupt acknowledge type <table border="1" style="width: 100%; border-collapse: collapse; text-align: center;"> <thead> <tr> <th></th> <th>Rising</th> <th>Falling</th> <th>Rising & Falling</th> <th>H level</th> <th>L level</th> </tr> </thead> <tbody> <tr> <td>INTE</td> <td>enable</td> <td>enable</td> <td>enable</td> <td>disable</td> <td>disable</td> </tr> <tr> <td>INTF</td> <td>enable</td> <td>enable</td> <td>enable</td> <td>disable</td> <td>disable</td> </tr> </tbody> </table>		Rising	Falling	Rising & Falling	H level	L level	INTE	enable	enable	enable	disable	disable	INTF	enable	enable	enable	disable	disable	Yes												
	Rising	Falling	Rising & Falling	H level	L level																												
INTE	enable	enable	enable	disable	disable																												
INTF	enable	enable	enable	disable	disable																												
PORT3 P30 to P33	I/O	<ul style="list-style-type: none"> • 4-bit I/O port • I/O specifiable in 1-bit units • Pull-up resistors can be turned on and off in 1-bit units • Multiplexed pins <p>P30: INTA input/HOLD release input/timer 0L capture input/ high-speed pulse width/period counter 1 input</p> <p>P31: INTB input/HOLD release input/timer 0H capture input/ high-speed pulse width/period counter 2 input</p> <p>P32: INTC input/HOLD release input/timer 0 event input/ timer 0L capture input/analog comparator output</p> <p>P33: INTD input/HOLD release input/timer 0 event input/ timer 0H capture input/high-speed PWM output</p> <p>On-chip debugger pin 1: DBGPX0 to DBGP01 (P30 to P31)</p> <p>On-chip debugger pin 2: DBGPX0 to DBGP12 (P30, P32 to P33)</p> <ul style="list-style-type: none"> • Interrupt acknowledge type <table border="1" style="width: 100%; border-collapse: collapse; text-align: center;"> <thead> <tr> <th></th> <th>Rising</th> <th>Falling</th> <th>Rising & Falling</th> <th>H level</th> <th>L level</th> </tr> </thead> <tbody> <tr> <td>INTA</td> <td>enable</td> <td>enable</td> <td>disable</td> <td>enable</td> <td>enable</td> </tr> <tr> <td>INTB</td> <td>enable</td> <td>enable</td> <td>disable</td> <td>enable</td> <td>enable</td> </tr> <tr> <td>INTC</td> <td>enable</td> <td>enable</td> <td>enable</td> <td>disable</td> <td>disable</td> </tr> <tr> <td>INTD</td> <td>enable</td> <td>enable</td> <td>enable</td> <td>disable</td> <td>disable</td> </tr> </tbody> </table>		Rising	Falling	Rising & Falling	H level	L level	INTA	enable	enable	disable	enable	enable	INTB	enable	enable	disable	enable	enable	INTC	enable	enable	enable	disable	disable	INTD	enable	enable	enable	disable	disable	Yes
	Rising	Falling	Rising & Falling	H level	L level																												
INTA	enable	enable	disable	enable	enable																												
INTB	enable	enable	disable	enable	enable																												
INTC	enable	enable	enable	disable	disable																												
INTD	enable	enable	enable	disable	disable																												
$\overline{\text{RES}}$	I/O	External reset input/internal reset output	No																														

LC87F2608A

Port Output Types

The table below lists the types of port outputs and the presence/absence of a pull-up resistor.

Data can be read into any input port even if it is in the output mode.

Port Name	Option Selected in Units of	Option Type	Output Type	Pull-up Resistor
P10 to P12	1 bit	1	CMOS	Programmable
		2	N-channel open drain	Programmable
P30 to P33	1 bit	1	CMOS	Programmable
		2	N-channel open drain	Programmable

On-chip Debugger Pin Processing

For the processing of the on-chip debugger pins, refer to the separately available documents entitled "RD87 On-chip Debugger Installation" and "LC872000 Series On-chip Debugger Pin Processing."

Recommended Unused Pin Connections

Pin Name	Recommended Unused Pin Connections	
	Board	Software
P10 to P12	OPEN	Set output low
P30 to P33	OPEN	Set output low

User Options

Option Name	Option Type	Flash Version	Option Switched in Unit of	Description
Port output type	P10 to P12	enable	1bit	CMOS
				N-channel open drain
	P30 to P33	enable	1bit	CMOS
				N-channel open drain
Program start address	-	enable	-	00000H
				01E00H
Brown-out detector reset function	Brown-out detector function	enable	-	Enable: Used
				Disable: Not used
Power-on-reset function	Power-on-reset level	enable	-	3 levels
				3 levels
High-speed RC oscillator circuit	Oscillation frequency	enable	-	20 MHz
				40 MHz
Package type	-	enable	-	MFP10S: LC87F2608A
				MFP14S: Debugged by using LC87D2708A or LC87F2708A

LC87F2608A

Absolute Maximum Ratings at Ta=25°C, VSS1=0V

Parameter	Symbol	Pin/Remarks	Conditions	Specification					
				VDD[V]	min	typ	max	unit	
Maximum supply voltage	VDD max	VDD1			-0.3	to	+6.5	V	
Input voltage	VI	RES			-0.3	to	VDD+0.3		
Input/output voltage	VI/O	• Port 1 • Port 3			-0.3	to	VDD+0.3		
High level output current	Peak output current	IOPH(1)	Port 1	• CMOS output selected • Per applicable pin			-7.5	mA	
		IOPH(2)	Port 3	• CMOS output selected • Per applicable pin			-10		
	Mean output current (Note 1-1)	IOMH(1)	Port 1	• CMOS output selected • Per applicable pin			-5		
		IOMH(2)	Port 3	• CMOS output selected • Per applicable pin			-7.5		
	Total output current	ΣIOAH(1)	• Port 10 • Ports 30, 31	Total of currents at all applicable pins			-20		
		ΣIOAH(2)	• Ports 11, 12 • Ports 32, 33	Total of currents at all applicable pins			-20		
ΣIOAH(3)		• Port 1 • Port 3	Total of currents at all applicable pins			-35			
Low level output current	Peak output current	IOPL(1)	Port 1	Per applicable pin				15	
		IOPL(2)	Port 3	Per applicable pin				10	
	Mean output current (Note 1-1)	IOML(1)	Port 1	Per applicable pin				10	
		IOML(2)	Port 3	Per applicable pin				7.5	
	Total output current	ΣIOAL(1)	• Port 10 • Ports 30, 31	Total of currents at all applicable pins					25
		ΣIOAL(2)	• Ports 11, 12 • Ports 32, 33	Total of currents at all applicable pins					35
ΣIOAL(3)		• Port 1 • Port 3	Total of currents at all applicable pins					55	
Power dissipation	Pd max(1)	MFP10S		• Ta=-40 to +85°C • Independent package				100	mW
	Pd max(2)			• Ta=-40 to +85°C • Mounted on thermal test board (Note 1-2)				237	
	Pd max(3)	MFP10SK		• Ta=-40 to +85°C • Independent package				100	
	Pd max(4)			• Ta=-40 to +85°C • Mounted on thermal test board (Note 1-2)				237	
Operating ambient temperature	Topr				-40	to	+85	°C	
Storage ambient temperature	Tstg				-55	to	+125		

Note 1-1: Mean output current refers to the average of output currents measured for a period of 100ms.

Note 1-2: Thermal test board used conforms to SEMI (size: 76.1×114.3×1.6mm, glass epoxy board).

Stresses exceeding Maximum Ratings may damage the device. Maximum Ratings are stress ratings only. Functional operation above the Recommended Operating Conditions is not implied. Extended exposure to stresses above the Recommended Operating Conditions may affect device reliability.

LC87F2608A

Allowable Operating Conditions at Ta= -40 to +85°C, VSS1=0V

Parameter	Symbol	Pin/Remarks	Conditions	Specification				
				V _{DD} [V]	min	typ	max	unit
Operating supply voltage (Note 2-1)	V _{DD}	V _{DD} 1	0.272μs ≤ tCYC ≤ 100μs		2.7		5.5	V
Memory sustaining supply voltage	V _{HD}	V _{DD} 1	RAM and register contents sustained in HOLD mode		2.0		5.5	
High level input voltage	V _{IH} (1)	• Port 1 • Port 3	Output disabled	2.7 to 5.5	0.3V _{DD} +0.7		V _{DD}	
	V _{IH} (2)	\overline{RES}		2.7 to 5.5	0.75V _{DD}		V _{DD}	
Low level input voltage	V _{IL} (1)	• Port 1 • Port 3	Output disabled	4.0 to 5.5	V _{SS}		0.1V _{DD} +0.4	
				2.7 to 4.0	V _{SS}		0.2V _{DD}	
	V _{IL} (2)	\overline{RES}		2.7 to 5.5	V _{SS}		0.25V _{DD}	
Instruction cycle time (Note 2-2)	tCYC			2.7 to 5.5	0.272		100	μs
Oscillation frequency range	FmHRC(1)		• High-speed RC oscillation • 40MHz selected as option • Ta=-20 to +85°C	4.5 to 5.5	38	40	42	MHz
	FmHRC(2)		• High-speed RC oscillation • 40MHz selected as option • Ta=-40 to +85°C	4.5 to 5.5	37.6	40	42.4	
	FmHRC(3)			3.5 to 5.5	36.8	40	43.2	
	FmHRC(4)			2.7 to 5.5	32	40	43.2	
	FmHRC(5)		• High-speed RC oscillation • 20MHz selected as option • Ta=-20 to +85°C	3.0 to 5.5	19	20	21	
	FmHRC(6)		• High-speed RC oscillation • 20MHz selected as option • Ta=-40 to +85°C	2.7 to 5.5	18.7	20	21.3	
	FmRC		Medium-speed RC oscillation	2.7 to 5.5	0.5	1.0	2.0	
	FmSLRC		Low-speed RC oscillation	2.7 to 5.5	15	30	60	kHz
Oscillation stabilization time	tmsHRC		• When high-speed RC oscillation state is switched from stopped to enabled. • See Fig. 2.	2.7 to 5.5			100	μs

Note 2-1: Use this product in a voltage range of 3.0 to 5.5V because the minimum release voltage (PORRL) of the power-on reset (POR) circuit is 2.87V±0.12V.

Note 2-2: Relationship between tCYC and oscillation frequency is as follows:

- When system clock source is set to medium-speed RC oscillation
3/FmRC at a division ratio of 1/1, 6/FmRC at a division ratio of 1/2, 12/FmRC a division ratio of 1/4, and so forth
- When system clock source is set to high-speed RC oscillation (40MHz selected by optional configuration)
12/FmHRC at a division ratio of 1/1, 24/FmHRC at a division ratio of 1/2, 48/FmHRC a division ratio of 1/4, and so forth
- When system clock source is set to high-speed RC oscillation (20MHz selected by optional configuration)
6/FmHRC at a division ratio of 1/1, 12/FmHRC at a division ratio of 1/2, 24/FmHRC a division ratio of 1/4, and so forth

LC87F2608A

Electrical Characteristics at $T_a = -40$ to $+85^\circ\text{C}$, $V_{SS1} = 0\text{V}$

Parameter	Symbol	Pin/Remarks	Conditions	Specification				
				$V_{DD}[\text{V}]$	min	typ	max	unit
High level input current	$I_{IH}(1)$	<ul style="list-style-type: none"> Port 1 Port 3 	<ul style="list-style-type: none"> Output disabled Pull-up resistor off $V_{IN} = V_{DD}$ (including output Tr. off leakage current) 	2.7 to 5.5			1	μA
	$I_{IH}(2)$	$\overline{\text{RES}}$	$V_{IN} = V_{DD}$	2.7 to 5.5			1	
Low level input current	I_{IL}	<ul style="list-style-type: none"> Port 1 Port 3 	<ul style="list-style-type: none"> Output disabled Pull-up resistor off $V_{IN} = V_{SS}$ (including output Tr. off leakage current) 	2.7 to 5.5	-1			
High level output voltage	$V_{OH}(1)$	CMOS output type port 1	$I_{OH} = -1\text{mA}$	4.5 to 5.5	$V_{DD} - 1$			V
	$V_{OH}(2)$		$I_{OH} = -0.35\text{mA}$	2.7 to 5.5	$V_{DD} - 0.4$			
	$V_{OH}(3)$	CMOS output type port 3	$I_{OH} = -5\text{mA}$	4.5 to 5.5	$V_{DD} - 1.5$			
	$V_{OH}(4)$		$I_{OH} = -0.7\text{mA}$	2.7 to 5.5	$V_{DD} - 0.4$			
Low level output voltage	$V_{OL}(1)$	Port 1	$I_{OL} = 10\text{mA}$	4.5 to 5.5			1.5	
	$V_{OL}(2)$		$I_{OL} = 1.4\text{mA}$	2.7 to 5.5			0.4	
	$V_{OL}(3)$	Port 3	$I_{OL} = 5\text{mA}$	4.5 to 5.5			1.5	
	$V_{OL}(4)$		$I_{OL} = 0.7\text{mA}$	2.7 to 5.5			0.4	
Pull-up resistance	$R_{pu}(1)$	<ul style="list-style-type: none"> Port 1 Port 3 	$V_{OH} = 0.9V_{DD}$	4.5 to 5.5	15	35	80	k Ω
	$R_{pu}(2)$			2.7 to 4.5	18	50	150	
	$R_{pu}(3)$	$\overline{\text{RES}}$		2.7 to 5.5	216	360	504	
Hysteresis voltage	VHYS	<ul style="list-style-type: none"> Port 1 Port 3 $\overline{\text{RES}}$ 		2.7 to 5.5		$0.1V_{DD}$		V
Pin capacitance	CP	All pins	<ul style="list-style-type: none"> $V_{IN} = V_{SS}$ for pins other than that under test $f = 1\text{ MHz}$ $T_a = 25^\circ\text{C}$ 	2.7 to 5.5			10	pF

LC87F2608A

Serial I/O Characteristics at Ta= -40 to +85°C, VSS1=0V

SI07 Serial I/O Characteristics (Note 4-1-1)

Parameter		Symbol	Pin/Remarks	Conditions	V _{DD} [V]	Specification				
						min	typ	max	unit	
Serial clock	Input clock	Frequency	tSCK(1)	SCK7(P12)	• See Fig. 4. (Note 4-1-2)	2.7 to 5.5	2			tCYC
		Low level pulse width	tSCKL(1)				1			
		High level pulse width	tSCKH(1)				1			
	Output clock	Frequency	tSCK(2)	SCK7(P12)	• CMOS output selected • See Fig. 4.	2.7 to 5.5	4/3			tSCK
		Low level pulse width	tSCKL(2)				1/2			
		High level pulse width	tSCKH(2)				1/2			
Serial input	Data setup time	tsDI(1)	SB7(P11), SI7(P11)	• Must be specified with respect to Rising edge of SIOCLK. • See Fig. 4.	2.7 to 5.5	0.03			μs	
	Data hold time	thDI(1)				0.03				
Serial output	Output delay time	tdDO(1)	SO7(P10), SB7(P11)	• Must be specified with respect to rising edge of SIOCLK. • Must be specified as the time to the beginning of output state change in open drain output mode. • See Fig. 4.	2.7 to 5.5			1tCYC +0.05		
		tdDO(2)						(1/3)tCYC +0.05		

Note 4-1-1: These specifications are theoretical values. Add margin depending on its use.

Note 4-1-2: To use serial-clock-input in transmission/reception mode, the time from SI7RUN being set when serial clock is "H" to the first falling edge of the serial clock must be longer than 1tCYC.

LC87F2608A

Pulse Input Conditions at Ta= -40 to +85°C, VSS1=0V

Parameter	Symbol	Pin/Remarks	Conditions	Specification				
				V _{DD} [V]	min	typ	max	unit
High/low level pulse width	tPIH(1) tPIL(1)	INTA(P30), INTB(P31), INTD(P33), INTE(P10, P11), INTF(P12)	<ul style="list-style-type: none"> Interrupt source flag can be set. Event inputs for timers 0 and 1 are enabled. 	2.7 to 5.5	1			tCYC
	tPIH(2) tPIL(2)	INTC(P32) when noise filter time constant is "none"	<ul style="list-style-type: none"> Interrupt source flag can be set. Event inputs for timer 0 are enabled. 	2.7 to 5.5	1			
	tPIH(3) tPIL(3)	INTC(P32) when noise filter time constant is "1/16"	<ul style="list-style-type: none"> Interrupt source flag can be set. Event inputs for timer 0 are enabled. 	2.7 to 5.5	64			
	tPIH(4) tPIL(4)	INTC(P32) when noise filter time constant is "1/32"	<ul style="list-style-type: none"> Interrupt source flag can be set. Event inputs for timer 0 are enabled. 	2.7 to 5.5	128			
	tPIH(5) tPIL(5)	INTC(P32) when noise filter time constant is "1/64"	<ul style="list-style-type: none"> Interrupt source flag can be set. Event inputs for timer 0 are enabled. 	2.7 to 5.5	256			
	tPIH(6) tPIL(6)	HCT1IN(P30)	Pulses can be recognized as signals by the high-speed pulse width/period counter 1.	2.7 to 5.5	3			H1CK (Note 5-1)
	tPIH(7) tPIL(7)	HCT2IN(P11, P31)	Pulses can be recognized as signals by the high-speed pulse width/period counter 2.	2.7 to 5.5	6			H2CK (Note 5-2)
	tPIL(8)	$\overline{\text{RES}}$	Resetting is enabled.	2.7 to 5.5	200			μs

Note 5-1: H1CK denotes the period of the base clock (1 to 8 × high-speed RC oscillation clock or system clock) for the high-speed pulse width/period counter 1.

Note 5-2: H2CK denotes the period of the base clock (2 to 16 × high-speed RC oscillation clock or system clock) for the high-speed pulse width/period counter 2.

Comparator Characteristics at Ta= -40 to +85°C, VSS1=0V

Parameter	Symbol	Pin/Remarks	Conditions	Specification				
				V _{DD} [V]	min	typ	max	unit
Common mode input voltage range	VCMIN	IN+(P11), IN-(P12)		2.7 to 5.5	V _{SS}		V _{DD} -1.5	V
Offset voltage	VOFF		Within common mode input voltage range	2.7 to 5.5		±10	±30	mV
Response time	tRT		<ul style="list-style-type: none"> Within common mode input voltage range Input amplitude=100mV Overdrive=50mV 	2.7 to 5.5		200	600	ns
Operation stabilization time (Note 6-1)	tCMW			2.7 to 5.5			1.0	μs

Note 6-1: The interval after CMPON is set till the operation gets stabilized.

LC87F2608A

AD Converter Characteristics at $V_{SS1}=0V$

<12-bit AD conversion mode at $T_a=-40$ to $+85^{\circ}C$ >

Parameter	Symbol	Pin/Remarks	Conditions	Specification				
				V_{DD} [V]	min	typ	max	unit
Resolution	N	AN0(P10) to AN2(P12)		3.0 to 5.5		12		bit
Absolute accuracy	ET		(Note 7-1)	3.0 to 5.5			± 16	LSB
Conversion time	tCAD		• See "Conversion time calculation method." (Note 7-2)	4.0 to 5.5	38		104.3	μs
				3.0 to 5.5	75.8		104.3	
Analog input voltage range	VAIN			3.0 to 5.5	V_{SS}		V_{DD}	V
Analog port input current	IAINH		$VAIN = V_{DD}$	3.0 to 5.5			1	μA
	IAINL	$VAIN = V_{SS}$	3.0 to 5.5	-1				

<8-bit AD Converter Mode at $T_a=-40$ to $+85^{\circ}C$ >

Parameter	Symbol	Pin/Remarks	Conditions	Specification				
				V_{DD} [V]	min	typ	max	unit
Resolution	N	AN0(P10) to AN2(P12)		3.0 to 5.5		8		bit
Absolute accuracy	ET		(Note 7-1)	3.0 to 5.5			± 1.5	LSB
Conversion time	tCAD		• See "Conversion time calculation method." (Note 7-2)	4.0 to 5.5	23.4		64.3	μs
				3.0 to 5.5	46.7		64.3	
Analog input voltage range	VAIN			3.0 to 5.5	V_{SS}		V_{DD}	V
Analog port input current	IAINH		$VAIN = V_{DD}$	3.0 to 5.5			1	μA
	IAINL	$VAIN = V_{SS}$	3.0 to 5.5	-1				

<Conversion time calculation method>

12-bit AD conversion mode: $tCAD$ (conversion time) = $((52/(\text{division ratio})) + 2) \times (1/3) \times tCYC$

8-bit AD conversion mode: $tCAD$ (conversion time) = $((32/(\text{division ratio})) + 2) \times (1/3) \times tCYC$

<Recommended Operating Conditions>

High-speed RC Oscillation (FmHRC)	Supply Voltage Range (V_{DD})	System Clock Division Ratio (SYSDIV)	Cycle Time (tCYC)	AD Division Ratio (ADDIV)	Conversion Time (tCAD)	
					12-bit AD	8-bit AD
40MHz/20MHz	4.0V to 5.5V	1/1	300ns	1/8	41.8 μs	25.8 μs
	3.0V to 5.5V	1/1	300ns	1/16	83.4 μs	51.4 μs

Note 7-1: The quantization error ($\pm 1/2LSB$) is excluded from the absolute accuracy. The absolute accuracy is measured when no change occurs in the I/O state of the pins that are adjacent to the analog input channel during AD conversion processing.

Note 7-2: The conversion time refers to the interval from the time a conversion starting instruction is issued till the time the complete digital conversion value against the analog input value is loaded in the result register.

*The conversion time is twice the normal value when one of the following conditions occurs:

- The first AD conversion executed in the 12-bit AD conversion mode after a system reset.
- The first AD conversion executed after the AD conversion mode is switched from 8-bit to 12-bit AD conversion mode.

LC87F2608A

Power-on Reset (POR) Characteristics at Ta= -40 to +85°C, V_{SS} 1=0V

Parameter	Symbol	Pin/Remarks	Conditions	Specification				
				Option Selecting Voltage	min	typ	max	unit
POR release voltage	PORRL		<ul style="list-style-type: none"> Option selected See Fig. 6. (Note 8-1) 	2.87V	2.75	2.87	2.99	V
				3.86V	3.73	3.86	3.99	
				4.35V	4.21	4.35	4.49	
Unknown voltage area	POUKS		<ul style="list-style-type: none"> See Fig. 6. (Note 8-2) 			0.7	0.95	
Power startup time	PORIS		Power startup time from V _{DD} =0V to 2.8V				100	ms

Note 8-1: The POR release voltage can be selected from three levels when the low-voltage detection feature is deselected.

Note 8-2: There is an unpredictable period before the power-on reset transistor starts to turn on.

Low-voltage Detection (LVD) Characteristics at Ta=-40 to +85°C, V_{SS} 1=0V

Parameter	Symbol	Pin/Remarks	Conditions	Specification				
				Option Selecting Voltage	min	typ	max	unit
LVD reset voltage (Note 9-2)	LVDET		<ul style="list-style-type: none"> Option selected See Fig. 7. (Note 9-1) (Note 9-3) 	2.81V	2.71	2.81	2.91	V
				3.79V	3.69	3.79	3.89	
				4.28V	4.18	4.28	4.38	
LVD voltage hysteresis	LVHYS			2.81V		60		mV
				3.79V		65		
				4.28V		65		
Unknown voltage area	LVUKS		<ul style="list-style-type: none"> See Fig. 7. (Note 9-4) 			0.7	0.95	V
Minimum low voltage detection width (response sensitivity)	tLV _{DW}		<ul style="list-style-type: none"> LVDET-0.5V See Fig. 8. 		0.2			ms

Note 9-1: The LVD reset voltage can be selected from three levels when the low-voltage detection feature is selected.

Note 9-2: The hysteresis voltage is not included in the LVD reset voltage value.

Note 9-3: There are cases when the LVD reset voltage value is exceeded when a greater change in the output level or large current is applied to the port.

Note 9-4: There is an unpredictable period before the low-voltage detection resetting transistor starts to run.

LC87F2608A

Consumption Current Characteristics at Ta=-40 to +85°C, VSS 1=0V

Parameter	Symbol	Pin/Remarks	Conditions	Specification				
				V _{DD} [V]	min	typ	max	unit
Normal mode consumption current (Note 10-1)	IDDOP(1)	V _{DD1}	<ul style="list-style-type: none"> FmHRC=40MHz oscillation mode System clock set to high-speed RC, 10MHz (1/4 of 40MHz) 	4.5 to 5.5		7.8	14	mA
	IDDOP(2)		<ul style="list-style-type: none"> Medium-speed RC oscillation stopped System clock frequency division ratio set to 1/1 	2.7 to 3.6		4.9	9.4	
	IDDOP(3)		<ul style="list-style-type: none"> FmHRC=20MHz oscillation mode System clock set to high-speed RC, 10MHz (1/2 of 20MHz) 	4.5 to 5.5		7.1	12.8	
	IDDOP(4)		<ul style="list-style-type: none"> Medium-speed RC oscillation stopped System clock frequency division ratio set to 1/1 	2.7 to 3.6		4.5	8.6	
	IDDOP(5)		<ul style="list-style-type: none"> High-speed RC oscillation stopped System clock set to medium-speed RC oscillation mode 	4.5 to 5.5		0.60	1.9	
	IDDOP(6)		<ul style="list-style-type: none"> System clock frequency division ratio set to 1/2 	2.7 to 3.6		0.38	1.3	
HALT mode consumption current (Note 10-1)	IDDHALT(1)		HALT mode <ul style="list-style-type: none"> FmHRC=40MHz oscillation mode System clock set to high-speed RC, 10MHz(1/4 of 40MHz) 	4.5 to 5.5		3.2	5.0	
	IDDHALT(2)		<ul style="list-style-type: none"> Medium-speed RC oscillation stopped System clock frequency division ratio set to 1/1 	2.7 to 3.6		2.0	3.1	
	IDDHALT(3)		HALT mode <ul style="list-style-type: none"> FmHRC=20MHz oscillation mode System clock set to high-speed RC, 10MHz (1/2 of 20MHz) 	4.5 to 5.5		2.5	3.9	
	IDDHALT(4)		<ul style="list-style-type: none"> Medium-speed RC oscillation stopped System clock frequency division ratio set to 1/1 	2.7 to 3.6		1.6	2.5	
	IDDHALT(5)		HALT mode <ul style="list-style-type: none"> High-speed RC oscillation stopped System clock set to medium-speed RC oscillation mode 	4.5 to 5.5		0.32	1.0	
	IDDHALT(6)		<ul style="list-style-type: none"> System clock frequency division ratio set to 1/2 	2.7 to 3.6		0.16	0.55	
HOLD mode consumption current (Note 10-1)	IDDHOLD(1)		HOLD mode <ul style="list-style-type: none"> Ta=-10 to +50°C 	4.5 to 5.5		0.04	3.0	μA
	IDDHOLD(2)			2.7 to 3.6		0.02	1.8	
	IDDHOLD(3)		HOLD mode <ul style="list-style-type: none"> Ta=-40 to +85°C 	4.5 to 5.5		0.04	34	
	IDDHOLD(4)			2.7 to 3.6		0.02	22	
	IDDHOLD(5)		HOLD mode <ul style="list-style-type: none"> LVD option selected Ta=-10 to +50°C 	4.5 to 5.5		3.1	6.8	
	IDDHOLD(6)			2.7 to 3.6		2.4	4.2	
	IDDHOLD(7)		HOLD mode <ul style="list-style-type: none"> LVD option selected Ta=-40 to +85°C 	4.5 to 5.5		3.1	39	
	IDDHOLD(8)			2.7 to 3.6		2.4	25	
	IDDHOLD(9)		HOLD mode <ul style="list-style-type: none"> Watchdog timer active Ta=-10 to +50°C 	4.5 to 5.5		3.4	10	
	IDDHOLD(10)			2.7 to 3.6		1.7	6.0	
	IDDHOLD(11)		HOLD mode <ul style="list-style-type: none"> Watchdog timer active Ta=-40 to +85°C 	4.5 to 5.5		3.4	42	
	IDDHOLD(12)			2.7 to 3.6		1.7	27	
	IDDHOLD(13)		HOLD mode <ul style="list-style-type: none"> Comparator active (IN+= V _{DD} , IN-= V _{SS})	4.5 to 5.5		110	160	
	IDDHOLD(14)			2.7 to 3.6		65	100	

Note 10-1: The consumption current value includes none of the currents that flow into the output Tr and internal pull-up resistors.

LC87F2608A

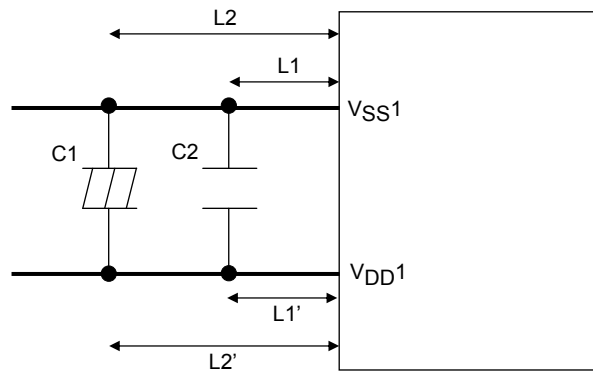
F-ROM Programming Characteristics at $T_a=+10$ to $+55^\circ\text{C}$, $V_{SS1}=0\text{V}$

Parameter	Symbol	Pin/Remarks	Conditions	Specification				
				V_{DD} [V]	min	typ	max	unit
Onboard programming current	IDDFW	$V_{DD} 1$	• Microcontroller consumption current is excluded.	3.0 to 5.5		5	10	mA
Programming time	tFW(1)		• Erase operation	3.0 to 5.5		20	30	ms
	tFW(2)		• Programming operation			40	60	μs

Power Pin Treatment Recommendations (V_{DD1} , V_{SS1})

Connect bypass capacitors that meet the following conditions between the V_{DD1} and V_{SS1} pins:

- Connect among the V_{DD1} and V_{SS1} pins and bypass capacitors C1 and C2 with the shortest possible heavy lead wires, making sure that the impedances between the both pins and the bypass capacitors are as equal as possible ($L1=L1'$, $L2=L2'$).
- Connect a large-capacity capacitor C1 and a small-capacity capacitor C2 in parallel. The capacitance of C2 should be approximately $0.1\mu\text{F}$.



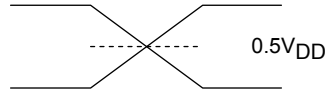
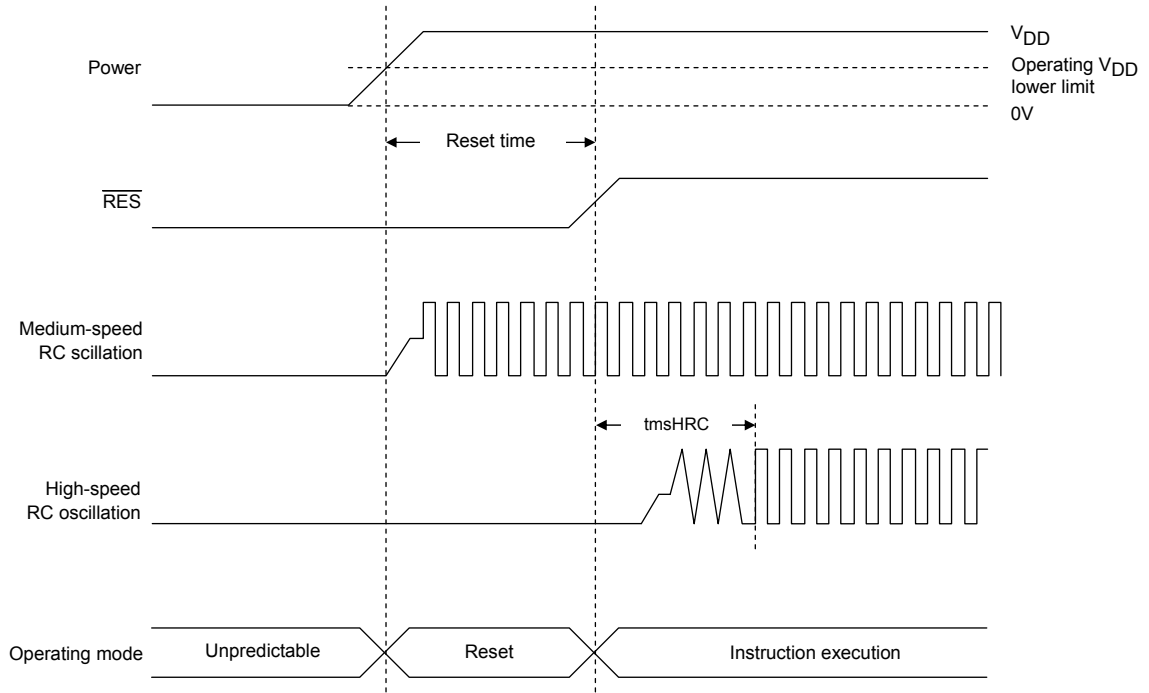
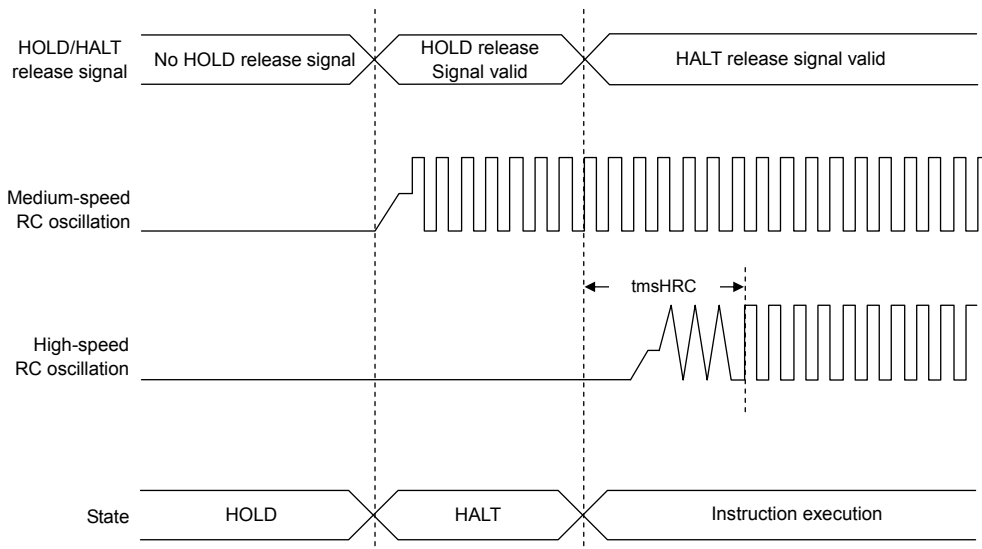


Figure 1 AC Timing Measurement Point

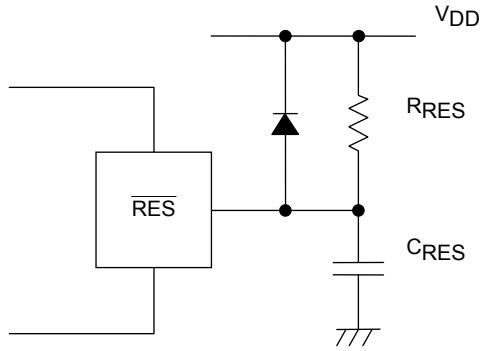


Reset Time and Oscillation Stabilization Time



HOLD Release Signal and Oscillation Stabilization Time

Figure 2 Oscillation Stabilization Times



Note:

The external peripheral circuit differs depending on the way in which the power-on reset and low-voltage detection reset functions are used. Refer to the Chapter, entitled "Reset Function," of the user's manual.

Figure 3 Sample Reset Circuit

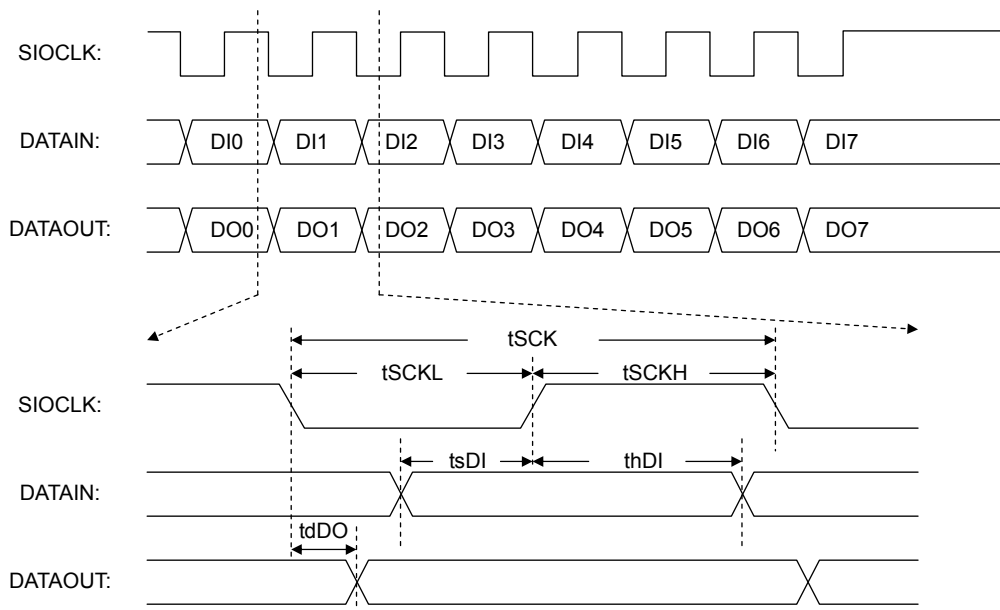


Figure 4 Serial I/O Waveforms

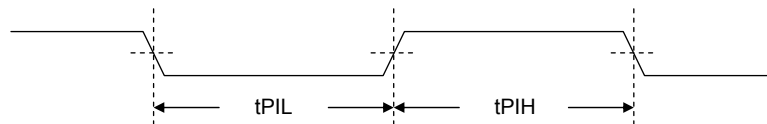


Figure 5 Pulse Input Timing Signal Waveform

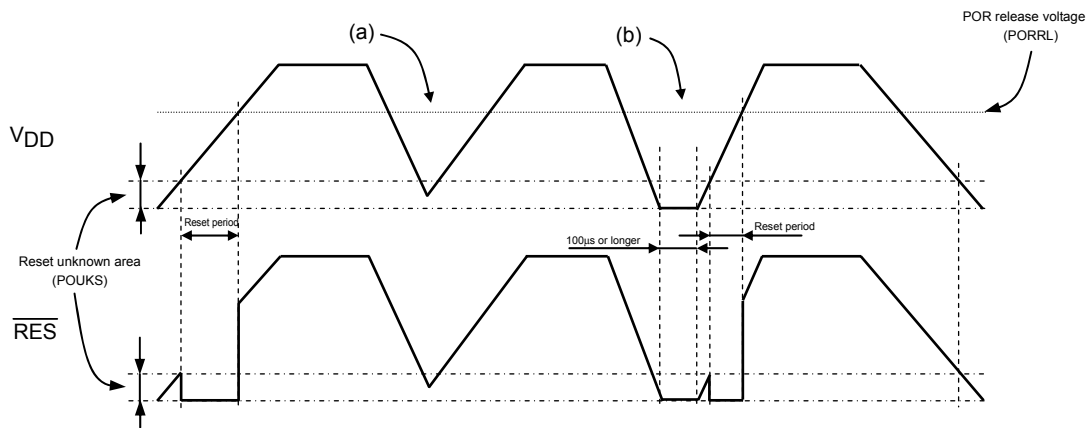


Figure 6 Example of POR Only (LVD Deselected) Mode Waveforms (at Reset Pin with RRES Pull-up Resistor Only)

- The POR circuit generates a reset signal only when the power voltage is raised from the VSS level.
- No stable reset signal is generated if power is turned on again when the power voltage does not go down to the VSS level as shown in (a). If this case is anticipated, use the LVD function as explained below or configure an external reset circuit.
- A reset is effected only when power is turned on again after the power voltage goes down to and remains at the VSS level for 100µs or longer as shown in (b).

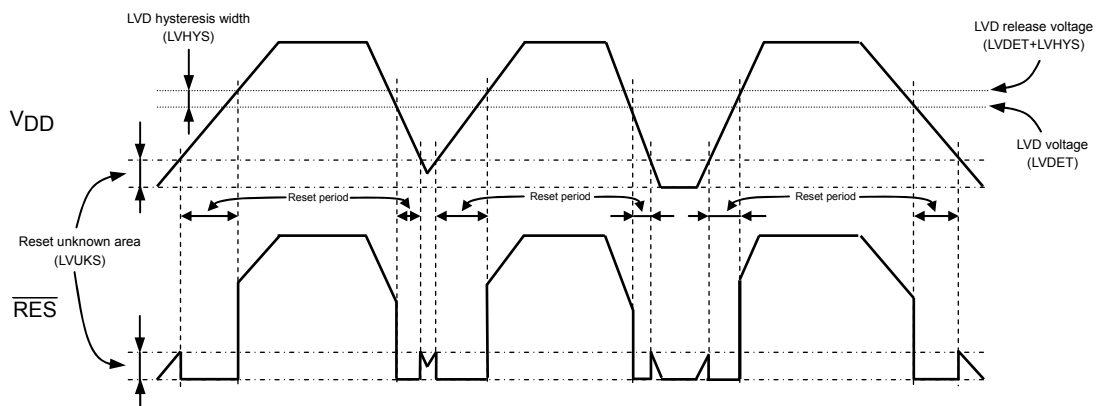


Figure 7 Example of POR + LVD Mode Waveforms (at Reset Pin with RRES Pull-up Resistor Only)

- A reset is effected both when power is turned on and when it goes down.
- The hysteresis width (LVHYS) is introduced in the LVD circuit to prevent the iterations of the IC entering and exiting the reset state near the detection threshold level.

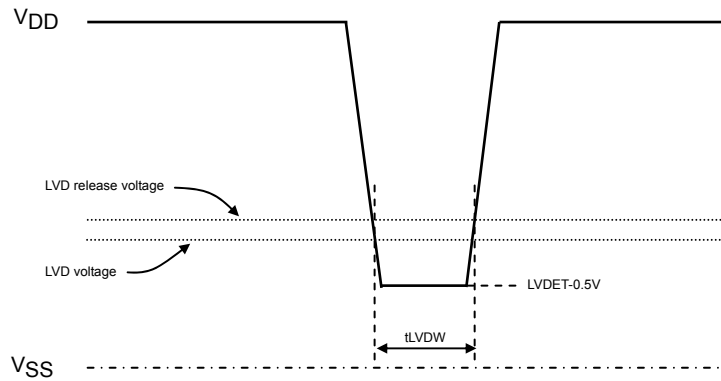


Figure 8 Minimum Low Voltage Detection Width
(Example of Short Interruption of Power/ Power Fluctuation Waveform)

ON Semiconductor and the ON logo are registered trademarks of Semiconductor Components Industries, LLC (SCILLC). SCILLC owns the rights to a number of patents, trademarks, copyrights, trade secrets, and other intellectual property. A listing of SCILLC's product/patent coverage may be accessed at www.onsemi.com/site/pdf/Patent-Marking.pdf. SCILLC reserves the right to make changes without further notice to any products herein. SCILLC makes no warranty, representation or guarantee regarding the suitability of its products for any particular purpose, nor does SCILLC assume any liability arising out of the application or use of any product or circuit, and specifically disclaims any and all liability, including without limitation special, consequential or incidental damages. "Typical" parameters which may be provided in SCILLC data sheets and/or specifications can and do vary in different applications and actual performance may vary over time. All operating parameters, including "Typicals" must be validated for each customer application by customer's technical experts. SCILLC does not convey any license under its patent rights nor the rights of others. SCILLC products are not designed, intended, or authorized for use as components in systems intended for surgical implant into the body, or other applications intended to support or sustain life, or for any other application in which the failure of the SCILLC product could create a situation where personal injury or death may occur. Should Buyer purchase or use SCILLC products for any such unintended or unauthorized application, Buyer shall indemnify and hold SCILLC and its officers, employees, subsidiaries, affiliates, and distributors harmless against all claims, costs, damages, and expenses, and reasonable attorney fees arising out of, directly or indirectly, any claim of personal injury or death associated with such unintended or unauthorized use, even if such claim alleges that SCILLC was negligent regarding the design or manufacture of the part. SCILLC is an Equal Opportunity/Affirmative Action Employer. This literature is subject to all applicable copyright laws and is not for resale in any manner.

Mouser Electronics

Authorized Distributor

Click to View Pricing, Inventory, Delivery & Lifecycle Information:

[ON Semiconductor:](#)

[LC87F2608AUMMAH](#)

Компания «Океан Электроники» предлагает заключение долгосрочных отношений при поставках импортных электронных компонентов на взаимовыгодных условиях!

Наши преимущества:

- Поставка оригинальных импортных электронных компонентов напрямую с производств Америки, Европы и Азии, а так же с крупнейших складов мира;
- Широкая линейка поставок активных и пассивных импортных электронных компонентов (более 30 млн. наименований);
- Поставка сложных, дефицитных, либо снятых с производства позиций;
- Оперативные сроки поставки под заказ (от 5 рабочих дней);
- Экспресс доставка в любую точку России;
- Помощь Конструкторского Отдела и консультации квалифицированных инженеров;
- Техническая поддержка проекта, помощь в подборе аналогов, поставка прототипов;
- Поставка электронных компонентов под контролем ВП;
- Система менеджмента качества сертифицирована по Международному стандарту ISO 9001;
- При необходимости вся продукция военного и аэрокосмического назначения проходит испытания и сертификацию в лаборатории (по согласованию с заказчиком);
- Поставка специализированных компонентов военного и аэрокосмического уровня качества (Xilinx, Altera, Analog Devices, Intersil, Interpoint, Microsemi, Actel, Aeroflex, Peregrine, VPT, Syfer, Eurofarad, Texas Instruments, MS Kennedy, Miteq, Cobham, E2V, MA-COM, Hittite, Mini-Circuits, General Dynamics и др.);

Компания «Океан Электроники» является официальным дистрибьютором и эксклюзивным представителем в России одного из крупнейших производителей разъемов военного и аэрокосмического назначения «JONHON», а так же официальным дистрибьютором и эксклюзивным представителем в России производителя высокотехнологичных и надежных решений для передачи СВЧ сигналов «FORSTAR».



JONHON

«JONHON» (основан в 1970 г.)

Разъемы специального, военного и аэрокосмического назначения:

(Применяются в военной, авиационной, аэрокосмической, морской, железнодорожной, горно- и нефтедобывающей отраслях промышленности)

«FORSTAR» (основан в 1998 г.)

ВЧ соединители, коаксиальные кабели, кабельные сборки и микроволновые компоненты:

(Применяются в телекоммуникациях гражданского и специального назначения, в средствах связи, РЛС, а так же военной, авиационной и аэрокосмической отраслях промышленности).



Телефон: 8 (812) 309-75-97 (многоканальный)

Факс: 8 (812) 320-03-32

Электронная почта: ocean@oceanchips.ru

Web: <http://oceanchips.ru/>

Адрес: 198099, г. Санкт-Петербург, ул. Калинина, д. 2, корп. 4, лит. А