



- Diagnostic feedback through input pin
- ESD protection
- Direct access to the gate of the Power MOSFET (analog driving)
- Compatible with standard Power MOSFET
- Standard TO-220 package
- Compliant with 2002/95/EC European directive

### Description

The VNP35N07-E, VNB35N07-E and VNV35N07-E are monolithic devices made using STMicroelectronics VIPower® technology, intended for replacement of standard Power MOSFETs in DC to 50 KHz applications.

Built-in thermal shutdown, linear current limitation and overvoltage clamp protect the chip in harsh environments.

Fault feedback can be detected by monitoring the voltage at the input pin.

### Features

| Type       | V <sub>clamp</sub> | R <sub>DS(on)</sub> | I <sub>lim</sub> |
|------------|--------------------|---------------------|------------------|
| VNP35N07-E | 70 V               | 0.028 Ω             | 35 A             |
| VNB35N07-E | 70 V               | 0.028 Ω             | 35 A             |
| VNV35N07-E | 70 V               | 0.028 Ω             | 35 A             |

- Automotive qualified
- Linear current limitation
- Thermal shutdown
- Short circuit protection
- Integrated clamp
- Low current drawn from input pin

Table 1. Device summary

| Package            | Order codes |               |
|--------------------|-------------|---------------|
|                    | Tube        | Tape and reel |
| TO-220             | VNP35N07-E  | VNP35N07TR-E  |
| D <sup>2</sup> PAK | VNB35N07-E  | VNB35N07TR-E  |
| PowerSO-10         | VNV35N07-E  | VNV35N07TR-E  |

# Contents

- 1      Block diagram ..... 5**
  
- 2      Electrical specification ..... 6**
  - 2.1    Absolute maximum rating ..... 6
  - 2.2    Thermal data ..... 6
  - 2.3    Electrical characteristics ..... 7
  
- 3      Protection features ..... 16**
  
- 4      Package information ..... 17**
  - 4.1    TO-220 package information ..... 17
  - 4.2    D<sup>2</sup>PAK package information ..... 19
  - 4.3    PowerSO-10 mechanical data ..... 21
  
- 5      Revision history ..... 23**



## List of tables

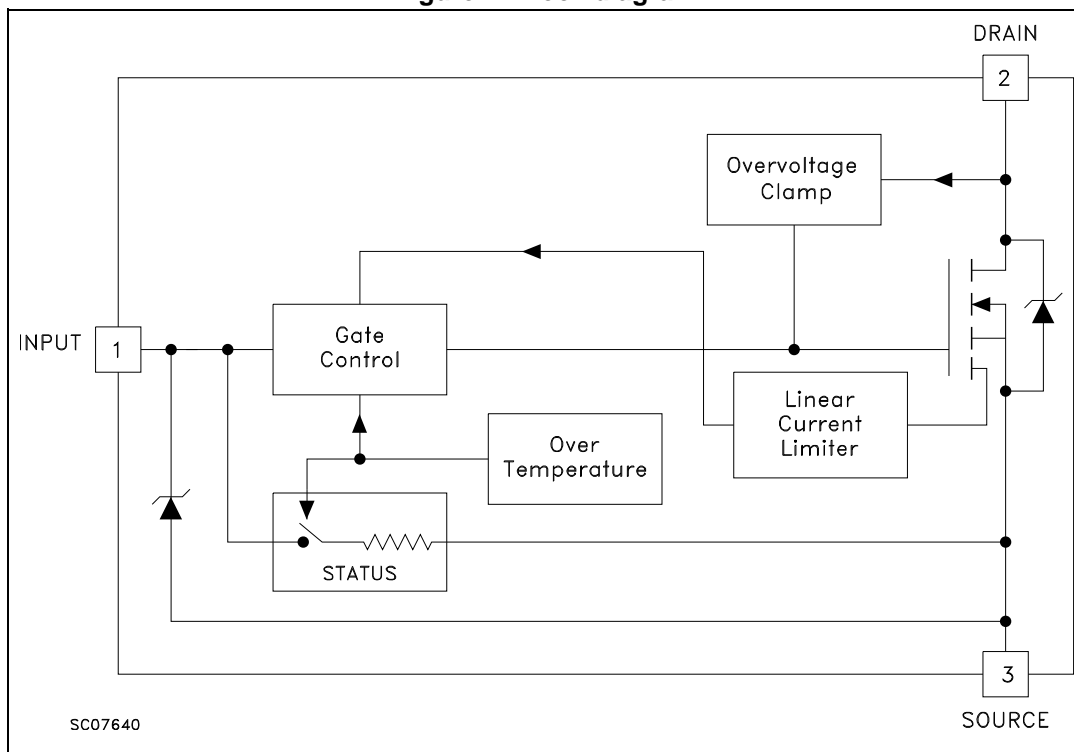
|           |                                      |    |
|-----------|--------------------------------------|----|
| Table 1.  | Device summary . . . . .             | 1  |
| Table 2.  | Absolute maximum ratings . . . . .   | 6  |
| Table 3.  | Thermal data . . . . .               | 6  |
| Table 4.  | Off . . . . .                        | 7  |
| Table 5.  | On . . . . .                         | 7  |
| Table 6.  | Dynamic . . . . .                    | 7  |
| Table 7.  | Switching . . . . .                  | 7  |
| Table 8.  | Source drain diode . . . . .         | 8  |
| Table 9.  | Protection . . . . .                 | 8  |
| Table 10. | TO-220 mechanical data . . . . .     | 17 |
| Table 11. | D2PAK mechanical data . . . . .      | 19 |
| Table 12. | PowerSO-10 mechanical data . . . . . | 21 |
| Table 13. | Document revision history . . . . .  | 23 |

## List of figures

|            |   |    |
|------------|---|----|
| Figure 1.  | Block diagram . . . . .   | 5  |
| Figure 2.  | Switching times test circuits for resistive load. . . . .                 | 9  |
| Figure 3.  | Input charge test circuit. . . . .  | 9  |
| Figure 4.  | Unclamped inductive load test circuits . . . . .                          | 10 |
| Figure 5.  | Test circuit for inductive load switching & diode recovery times. . . . . | 10 |
| Figure 6.  | Waveforms . . . . .   | 11 |
| Figure 7.  | Unclamped inductive waveforms . . . . .                                   | 11 |
| Figure 8.  | Thermal impedance for TO-220 . . . . .                                    | 12 |
| Figure 9.  | Derating curve . . . . .  | 12 |
| Figure 10. | Static drain-source on resistance . . . . .                               | 12 |
| Figure 11. | Static drain-source on resistance vs input voltage . . . . .              | 12 |
| Figure 12. | Output characteristics . . . . .  | 12 |
| Figure 13. | Transconductance . . . . .  | 12 |
| Figure 14. | Static drain-source on resistance . . . . .                               | 13 |
| Figure 15. | Input charge vs input voltage . . . . .                                   | 13 |
| Figure 16. | Normalized on resistance vs temperature (part 1) . . . . .                | 13 |
| Figure 17. | Normalized on resistance vs temperature (part 2) . . . . .                | 13 |
| Figure 18. | Normalized input threshold voltage vs temperature . . . . .               | 13 |
| Figure 19. | Capacitance variations . . . . .  | 13 |
| Figure 20. | Turn-on current slope (part 1). . . . .                                   | 14 |
| Figure 21. | Turn-on current slope (part 2). . . . .                                   | 14 |
| Figure 22. | Turn-off drain-source voltage slope (part 1) . . . . .                    | 14 |
| Figure 23. | Turn-off drain-source voltage slope (part 2) . . . . .                    | 14 |
| Figure 24. | Switching time resistive load (part 1) . . . . .                          | 14 |
| Figure 25. | Switching time resistive load (part 2) . . . . .                          | 14 |
| Figure 26. | Current limit vs junction temperature . . . . .                           | 15 |
| Figure 27. | Source drain diode forward characteristics. . . . .                       | 15 |
| Figure 28. | Switching time resistive load. . . . .                                    | 15 |
| Figure 29. | Step response current Limit . . . . .                                     | 15 |
| Figure 30. | Thermal impedance for D <sup>2</sup> PAK/ PowerSO-10 . . . . .            | 15 |
| Figure 31. | TO-220 package dimensions . . . . .                                       | 18 |
| Figure 32. | D <sup>2</sup> PAK package dimensions. . . . .                            | 20 |
| Figure 33. | PowerSO-10 package dimensions . . . . .                                   | 22 |

# 1 Block diagram

Figure 1. Block diagram



1. PowerSO-10 pin configuration: INPUT = 6, 7, 8, 9, 10; SOURCE = 1, 2, 4, 5; DRAIN = TAB.

## 2 Electrical specification

### 2.1 Absolute maximum rating

Stressing the device above the rating listed in [Table 3](#) may cause permanent damage to the device. These are stress ratings only and operation of the device at these or any other conditions above those indicated in the operating sections of this specification is not implied. Exposure to the conditions in table below for extended periods may affect device reliability.

**Table 2. Absolute maximum ratings**

| Symbol           | Parameter  | Value                            |        | Unit |
|------------------|--|----------------------------------|--------|------|
|                  |  | D <sup>2</sup> PAK<br>PowerSO-10 | TO-220 |      |
| V <sub>DS</sub>  | Drain-source voltage (V <sub>in</sub> = 0)       | Internally clamped               |        | V    |
| V <sub>in</sub>  | Input voltage                                    | 18                               |        | V    |
| I <sub>D</sub>   | Drain current                                    | Internally limited               |        | A    |
| I <sub>R</sub>   | Reverse DC output current                        | -50                              |        | A    |
| V <sub>esd</sub> | Electrostatic Discharge (C = 100 pF; R = 1.5 KΩ) | 2000                             |        | V    |
| P <sub>tot</sub> | Total dissipation at T <sub>C</sub> = 25°C       | 125                              | 40     | W    |
| T <sub>J</sub>   | Operating junction temperature                   | Internally limited               |        | °C   |
| T <sub>C</sub>   | Case operating temperature                       | Internally limited               |        | °C   |
| T <sub>stg</sub> | Storage temperature                              | -55 to 150                       |        | °C   |

### 2.2 Thermal data

**Table 3. Thermal data**

| Symbol                | Parameter                                 | Value      |                    |        | Unit |
|-----------------------|---|------------|--------------------|--------|------|
|                       |   | PowerSO-10 | D <sup>2</sup> PAK | TO-220 |      |
| R <sub>thj-case</sub> | Thermal Resistance Junction-case (max)    | 1          | 1                  | 3.12   | °C/W |
| R <sub>thj-amb</sub>  | Thermal Resistance Junction-ambient (max) | 50         | 62.5               | 62.5   | °C/W |

## 2.3 Electrical characteristics

$T_{\text{case}} = 25^{\circ}\text{C}$  unless otherwise specified.

**Table 4. Off**

| Symbol             | Parameter  | Test Conditions  | Min | Typ | Max  | Unit          |
|--------------------|--|--|-----|-----|------|---------------|
| $V_{\text{CLAMP}}$ | Drain-source clamp voltage   | $I_{\text{D}} = 200 \text{ mA}; V_{\text{in}} = 0 \text{ V}$ | 60  | 70  | 80   | V             |
| $V_{\text{CLTH}}$  | Drain-source clamp threshold voltage                               | $I_{\text{D}} = 2 \text{ mA}; V_{\text{in}} = 0 \text{ V}$   | 55  |     |      | V             |
| $V_{\text{INCL}}$  | Input-source reverse clamp voltage                                 | $I_{\text{in}} = -1 \text{ mA}$                              | -1  |     | -0.3 | V             |
| $I_{\text{DSS}}$   | Zero input voltage drain current ( $V_{\text{in}} = 0 \text{ V}$ ) | $V_{\text{DS}} = 13 \text{ V}; V_{\text{in}} = 0 \text{ V}$  |     |     | 50   | mA            |
|                    |  | $V_{\text{DS}} = 25 \text{ V}; V_{\text{in}} = 0 \text{ V}$  |     |     | 200  | $\mu\text{A}$ |
| $I_{\text{ISS}}$   | Supply current from input pin                                      | $V_{\text{DS}} = 0 \text{ V}; V_{\text{in}} = 10 \text{ V}$  |     | 250 | 500  | $\mu\text{A}$ |

**Table 5. On**

| Symbol                    | Parameter                         | Test Conditions  | Min | Typ | Max   | Unit     |
|---------------------------|-----------------------------------|--|-----|-----|-------|----------|
| $V_{\text{IN(th)}}^{(1)}$ | Input threshold voltage           | $V_{\text{DS}} = V_{\text{in}}; I_{\text{D+}}, I_{\text{in}} = 1 \text{ mA}$ | 0.8 | —   | 3     | V        |
| $R_{\text{DS(on)}}^{(1)}$ | Static drain-source on resistance | $V_{\text{in}} = 10 \text{ V}; I_{\text{D}} = 18 \text{ A}$                  |     | —   | 0.028 | $\Omega$ |
|                           |                                   | $V_{\text{in}} = 5 \text{ V}; I_{\text{D}} = 18 \text{ A}$                   |     | —   | 0.035 | $\Omega$ |

1. Pulsed: Pulse duration = 300 ms, duty cycle 1.5%.

**Table 6. Dynamic**

| Symbol                | Parameter                | Test Conditions  | Min | Typ | Max  | Unit |
|-----------------------|--------------------------|--|-----|-----|------|------|
| $g_{\text{fs}}^{(1)}$ | Forward transconductance | $V_{\text{DS}} = 13 \text{ V}; I_{\text{D}} = 18 \text{ A}$                    | 20  | 25  |      | S    |
| $C_{\text{OSS}}$      | Output capacitance       | $V_{\text{DS}} = 13 \text{ V}; f = 1 \text{ MHz}; V_{\text{in}} = 0 \text{ V}$ |     | 980 | 1400 | pF   |

1. Pulsed: Pulse duration = 300 ms, duty cycle 1.5%.

**Table 7. Switching**

| Symbol                    | Parameter           | Test Conditions  | Min | Typ | Max  | Unit          |
|---------------------------|---------------------|--|-----|-----|------|---------------|
| $t_{\text{d(on)}}^{(1)}$  | Turn-on delay time  | $V_{\text{DD}} = 28 \text{ V}; I_{\text{d}} = 18 \text{ A};$<br>$V_{\text{gen}} = 10 \text{ V}; R_{\text{gen}} = 10 \Omega$<br>(see <a href="#">Figure 2</a> )   | —   | 100 | 200  | ns            |
| $t_{\text{r}}^{(1)}$      | Rise time           |  | —   | 350 | 600  | ns            |
| $t_{\text{d(off)}}^{(1)}$ | Turn-off delay time |  | —   | 650 | 1000 | ns            |
| $t_{\text{f}}^{(1)}$      | Fall time           |  | —   | 200 | 350  | ns            |
| $t_{\text{d(on)}}^{(1)}$  | Turn-on delay time  | $V_{\text{DD}} = 28 \text{ V}; I_{\text{d}} = 18 \text{ A};$<br>$V_{\text{gen}} = 10 \text{ V}; R_{\text{gen}} = 1000 \Omega$<br>(see <a href="#">Figure 2</a> ) | —   | 500 | 800  | $\mu\text{s}$ |
| $t_{\text{r}}^{(1)}$      | Rise time           |  | —   | 2.7 | 4.2  | $\mu\text{s}$ |
| $t_{\text{d(off)}}^{(1)}$ | Turn-off delay time |  | —   | 10  | 16   | $\mu\text{s}$ |
| $t_{\text{f}}^{(1)}$      | Fall time           |  | —   | 4.3 | 6.5  | $\mu\text{s}$ |

Table 7. Switching (continued)

| Symbol               | Parameter             | Test Conditions   | Min | Typ | Max | Unit             |
|----------------------|-----------------------|---|-----|-----|-----|------------------|
| $(di/dt)_{on}^{(1)}$ | Turn-on current slope | $V_{DD} = 28\text{ V}; I_D = 18\text{ A}; V_{in} = 10\text{ V}; R_{gen} = 10\ \Omega$ | —   | 60  |     | A/ $\mu\text{s}$ |
| $Q_i^{(1)}$          | Total input charge    | $V_{DD} = 12\text{ V}; I_D = 18\text{ A}; V_{in} = 10\text{ V}$                       | —   | 100 |     | nC               |

1. Parameters guaranteed by design/characterization.

Table 8. Source drain diode

| Symbol          | Parameter                | Test Conditions   | Min | Typ | Max | Unit          |
|-----------------|--------------------------|---|-----|-----|-----|---------------|
| $V_{SD}^{(1)}$  | Forward on voltage       | $I_{SD} = 18\text{ A}; V_{in} = 0\text{ V}$   | —   |     | 1.6 | V             |
| $t_{rr}^{(2)}$  | Reverse recovery time    | $I_{SD} = 18\text{ A}; di/dt = 100\text{ A}/\mu\text{s}; V_{DD} = 30\text{ V}; T_J = 25\text{ }^\circ\text{C}$<br>(see <a href="#">Figure 5</a> ) | —   | 250 |     | ns            |
| $Q_{rr}^{(2)}$  | Reverse recovery charge  |   | —   | 1   |     | $\mu\text{C}$ |
| $I_{RRM}^{(2)}$ | Reverse recovery current |   | —   | 8   |     | A             |

1. Pulsed: Pulse duration = 300 ms, duty cycle 1.5%.

2. Parameters guaranteed by design/characterization.

Table 9. Protection

| Symbol           | Parameter                     | Test Conditions   | Min | Typ | Max | Unit             |
|------------------|-------------------------------|---|-----|-----|-----|------------------|
| $I_{lim}$        | Drain current limit           | $V_{IN} = 10\text{ V}; V_{DS} = 13\text{ V}$  | 25  | 35  | 45  | A                |
|                  |                               | $V_{IN} = 5\text{ V}; V_{DS} = 13\text{ V}$   | 25  | 35  | 45  | A                |
| $t_{dlim}^{(1)}$ | Step response current limit   | $V_{in} = 10\text{ V}$  |     | 35  | 60  | $\mu\text{s}$    |
|                  |                               | $V_{in} = 5\text{ V}$   |     | 70  | 140 | $\mu\text{s}$    |
| $T_{jsh}^{(1)}$  | Overtemperature shutdown      |   | 150 |     |     | $^\circ\text{C}$ |
| $T_{jrs}^{(1)}$  | Overtemperature reset         |   | 135 |     |     | $^\circ\text{C}$ |
| $I_{gf}^{(1)}$   | Fault sink current            | $V_{IN} = 10\text{ V}; V_{DS} = 13\text{ V}$  |     | 50  |     | mA               |
|                  |                               | $V_{IN} = 5\text{ V}; V_{DS} = 13\text{ V}$   |     | 20  |     | mA               |
| $E_{as}^{(1)}$   | Single pulse avalanche energy | Starting $T_J = 25\text{ }^\circ\text{C}; V_{DD} = 20\text{ V}; V_{in} = 10\text{ V}; R_{gen} = 1\text{ K}\Omega; L = 10\text{ mH}$ | 2.5 |     |     | J                |

1. Parameters guaranteed by design/characterization.



Figure 2. Switching times test circuits for resistive load



Figure 3. Input charge test circuit



Figure 4. Unclamped inductive load test circuits



Figure 5. Test circuit for inductive load switching & diode recovery times

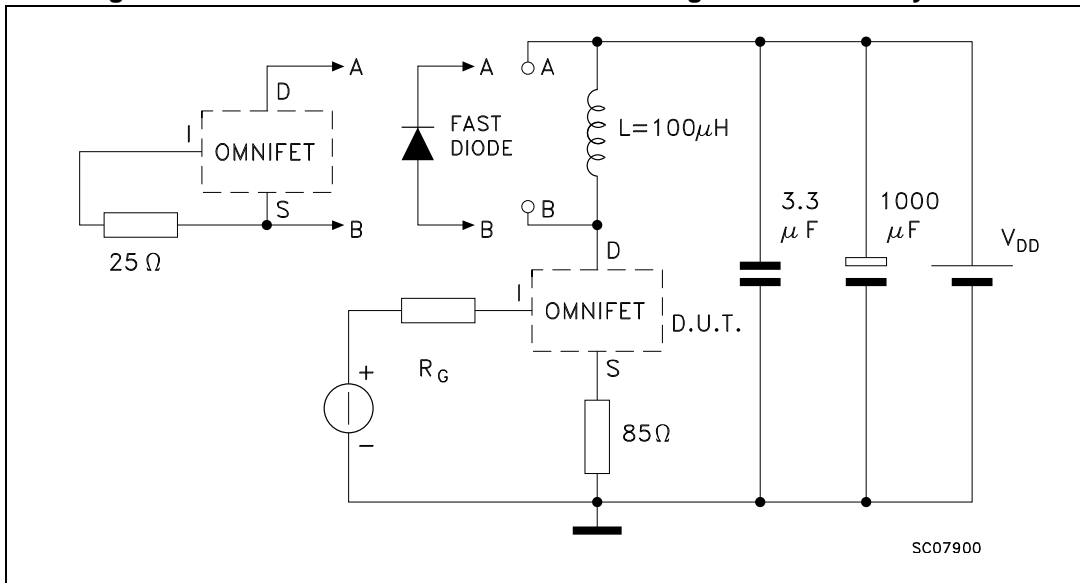


Figure 6. Waveforms



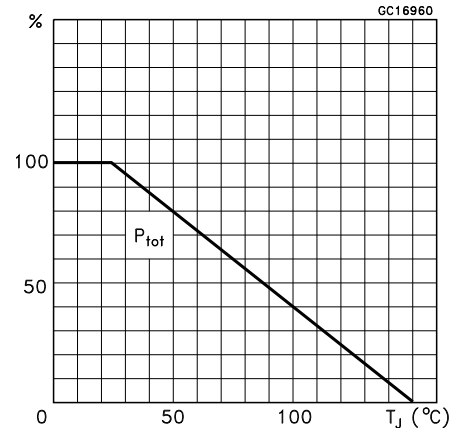
Figure 7. Unclamped inductive waveforms



**Figure 8. Thermal impedance for TO-220**



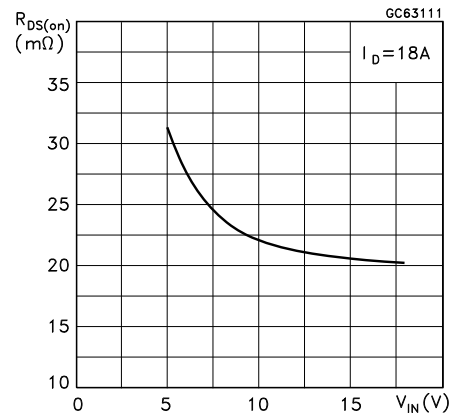
**Figure 9. Derating curve**



**Figure 10. Static drain-source on resistance**



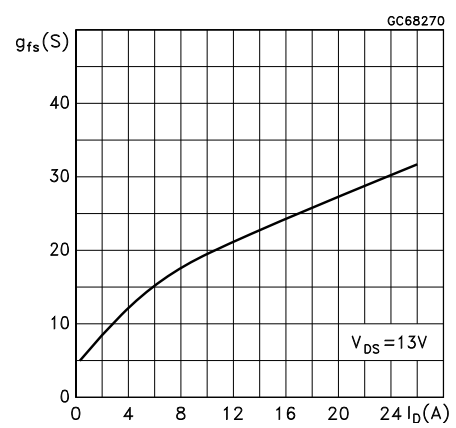
**Figure 11. Static drain-source on resistance vs input voltage**



**Figure 12. Output characteristics**



**Figure 13. Transconductance**



**Figure 14. Static drain-source on resistance**



**Figure 15. Input charge vs input voltage**



**Figure 16. Normalized on resistance vs temperature (part 1)**



**Figure 17. Normalized on resistance vs temperature (part 2)**



**Figure 18. Normalized input threshold voltage vs temperature**



**Figure 19. Capacitance variations**



Figure 20. Turn-on current slope (part 1)

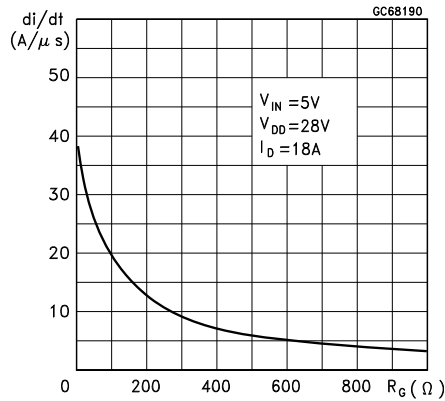


Figure 21. Turn-on current slope (part 2)

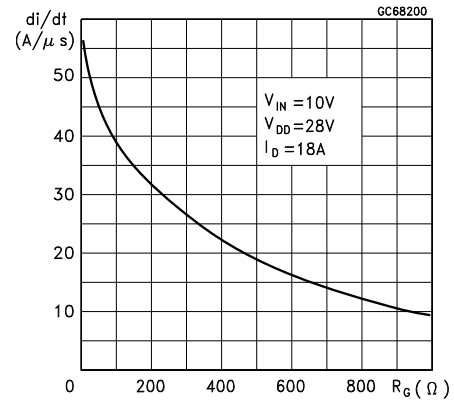


Figure 22. Turn-off drain-source voltage slope (part 1)

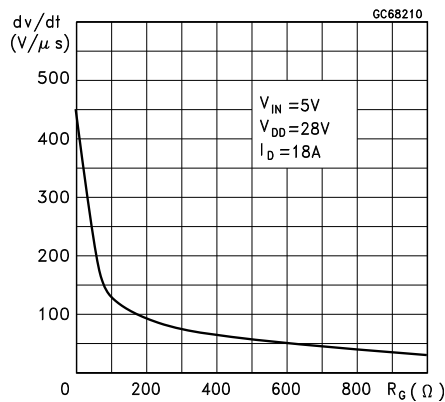


Figure 23. Turn-off drain-source voltage slope (part 2)

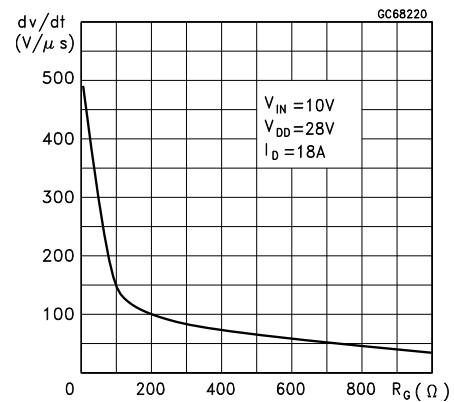


Figure 24. Switching time resistive load (part 1)

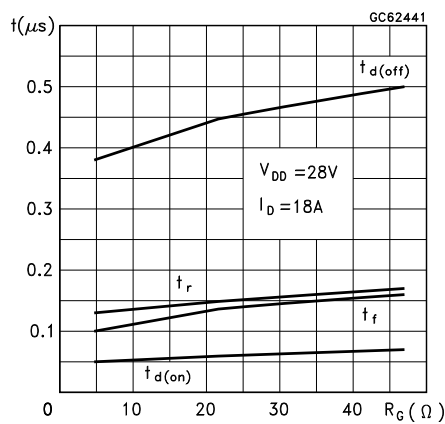
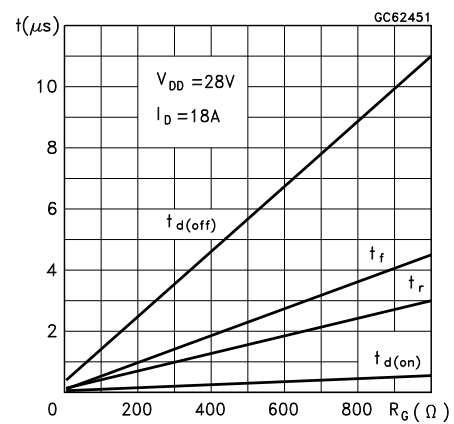
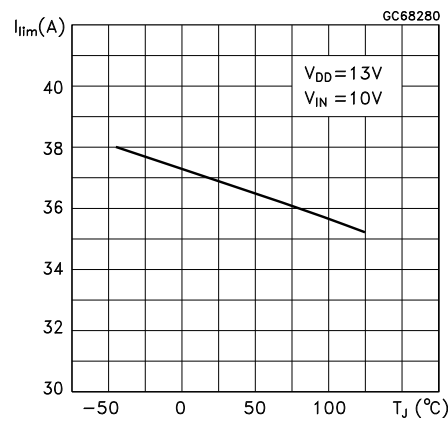


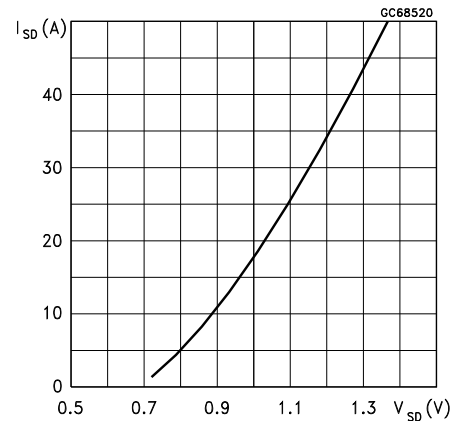
Figure 25. Switching time resistive load (part 2)



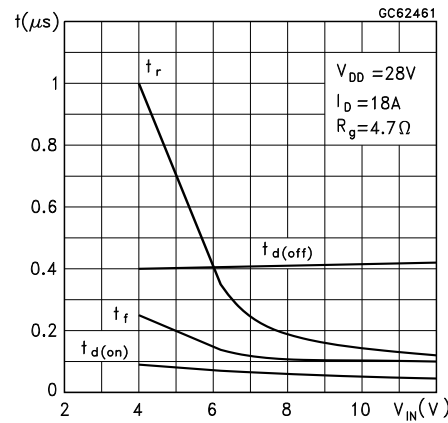
**Figure 26. Current limit vs junction temperature**



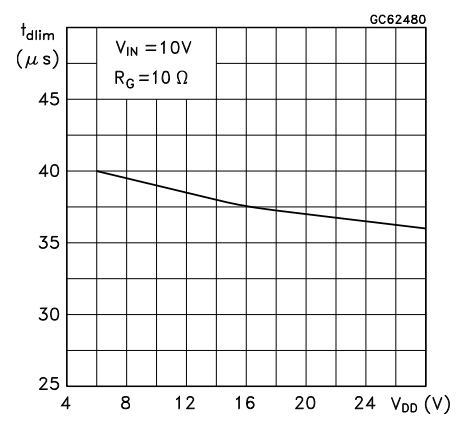
**Figure 27. Source drain diode forward characteristics**



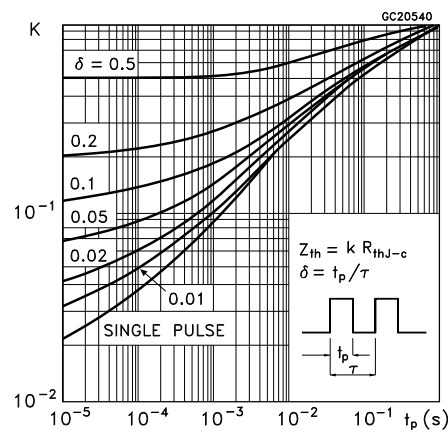
**Figure 28. Switching time resistive load**



**Figure 29. Step response current Limit**



**Figure 30. Thermal impedance for D<sup>2</sup>PAK/ PowerSO-10**



### 3 Protection features

During normal operation, the Input pin is electrically connected to the gate of the internal power MOSFET. The device then behaves like a standard power MOSFET and can be used as a switch from DC to 50 KHz. The only difference from the user's standpoint is that a small DC current ( $I_{ISS}$ ) flows into the Input pin in order to supply the internal circuitry.

The device integrates:

- **Overvoltage Clamp Protection:** internally set at 70V, along with the rugged avalanche characteristics of the Power MOSFET stage give this device unrivalled ruggedness and energy handling capability. This feature is mainly important when driving inductive loads.
- **Linear Current Limiter Circuit:** limits the drain current  $I_d$  to  $I_{lim}$  whatever the Input pin voltage. When the current limiter is active, the device operates in the linear region, so power dissipation may exceed the capability of the heatsink. Both case and junction temperatures increase, and if this phase lasts long enough, junction temperature may reach the overtemperature threshold  $T_{jsh}$ .
- **Overtemperature and Short Circuit Protection:** these are based on sensing the chip temperature and are not dependent on the input voltage. The location of the sensing element on the chip in the power stage area ensures fast, accurate detection of the junction temperature. Overtemperature cutout occurs at minimum 150°C. The device is automatically restarted when the chip temperature falls below 135°C.
- **Status Feedback:** in the case of an overtemperature fault condition, a Status Feedback is provided through the input pin. The internal protection circuit disconnects the input from the gate and connects it instead to ground via an equivalent resistance of 100  $\Omega$ .

The failure can be detected by monitoring the voltage at the Input pin, which will be close to ground potential.

Additional features of this devices are ESD protection according to the Human Body model and the ability to be driven from a TTL Logic circuit (with a small increase in  $R_{DS(on)}$ ).



## 4 Package information

In order to meet environmental requirements, ST offers these devices in different grades of ECOPACK<sup>®</sup> packages, depending on their level of environmental compliance. ECOPACK<sup>®</sup> specifications, grade definitions and product status are available at: [www.st.com](http://www.st.com).

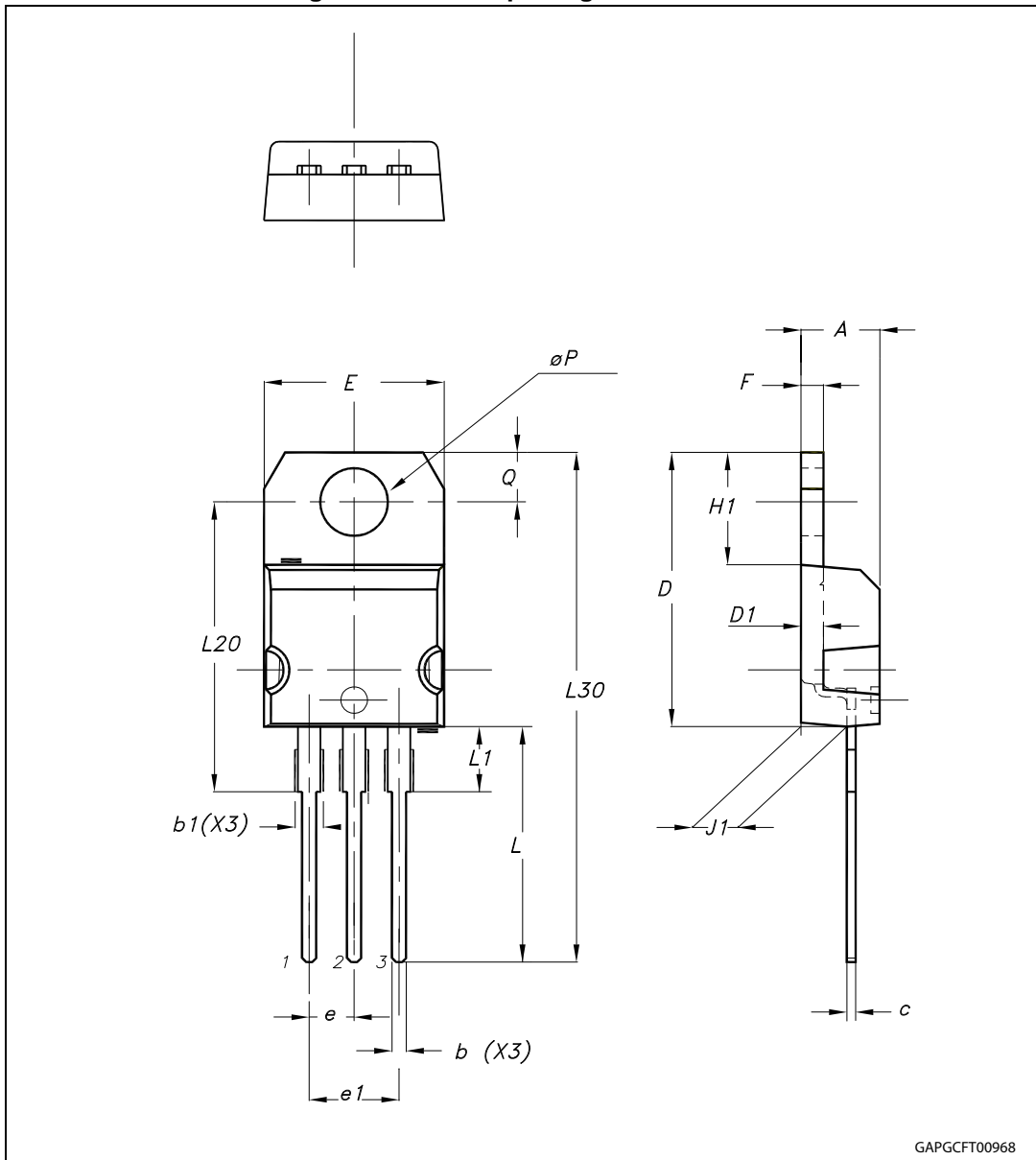
ECOPACK<sup>®</sup> is an ST trademark.

### 4.1 TO-220 package information

Table 10. TO-220 mechanical data

| Dim.           | mm.           |       |       |
|----------------|---------------|-------|-------|
|                | Min.          | Typ   | Max.  |
| A              | 4.40          |       | 4.60  |
| b              | 0.61          |       | 0.88  |
| b1             | 1.14          |       | 1.70  |
| c              | 0.48          |       | 0.70  |
| D              | 15.25         |       | 15.75 |
| D1             |               | 1.27  |       |
| E              | 10            |       | 10.40 |
| e              | 2.40          |       | 2.70  |
| e1             | 4.95          |       | 5.15  |
| F              | 1.23          |       | 1.32  |
| H1             | 6.20          |       | 6.60  |
| J1             | 2.40          |       | 2.72  |
| L              | 13            |       | 14    |
| L1             | 3.50          |       | 3.93  |
| L20            |               | 16.40 |       |
| L30            |               | 28.90 |       |
| ∅P             | 3.75          |       | 3.85  |
| Q              | 2.65          |       | 2.95  |
| Package weight | 1.9Gr. (Typ.) |       |       |

Figure 31. TO-220 package dimensions



GAPGCT00968

## 4.2 D<sup>2</sup>PAK package information

Table 11. D<sup>2</sup>PAK mechanical data

| Dim. | mm.  |      |       |
|------|------|------|-------|
|      | Min. | Typ  | Max.  |
| A    | 4.40 |      | 4.60  |
| A1   | 0.03 |      | 0.23  |
| b    | 0.70 |      | 0.93  |
| b2   | 1.14 |      | 1.70  |
| c    | 0.45 |      | 0.60  |
| c2   | 1.23 |      | 1.36  |
| D    | 8.95 |      | 9.35  |
| D1   | 7.50 | 7.75 | 8.00  |
| D2   | 1.10 | 1.30 | 1.50  |
| E    | 10   |      | 10.40 |
| E1   | 8.50 | 8.70 | 8.90  |
| E2   | 6.85 | 7.05 | 7.25  |
| e    |      | 2.54 |       |
| e1   | 4.88 |      | 5.28  |
| H    | 15   |      | 15.85 |
| J1   | 2.49 |      | 2.69  |
| L    | 2.29 |      | 2.79  |
| L1   | 1.27 |      | 1.40  |
| L2   | 1.30 |      | 1.75  |
| R    |      | 0.4  |       |
| V2   | 0°   |      | 8°    |

Figure 32. D<sup>2</sup>PAK package dimensions



### 4.3 PowerSO-10 mechanical data

Table 12. PowerSO-10 mechanical data

| Dim.              | mm.   |      |       |
|-------------------|-------|------|-------|
|                   | Min.  | Typ. | Max.  |
| A                 |       |      | 3.70  |
| A1                | 0.00  |      | 0.10  |
| A2                | 3.40  |      | 3.60  |
| A3                | 1.25  |      | 1.35  |
| b                 | 0.40  |      | 0.53  |
| c                 | 0.35  |      | 0.55  |
| D                 | 9.40  |      | 9.60  |
| D1 <sup>(1)</sup> | 7.40  |      | 7.60  |
| E                 | 13.80 |      | 14.40 |
| E1 <sup>(1)</sup> | 9.30  |      | 9.50  |
| E2                | 7.20  |      | 7.60  |
| E3                | 5.90  |      | 6.10  |
| e                 |       | 1.27 |       |
| L                 | 0.95  |      | 1.65  |
| <                 | 0°    |      | 8°    |

1. Resin protrusion not included (max value: 0.20 mm per side)

Figure 33. PowerSO-10 package dimensions



## 5 Revision history

Table 13. Document revision history

| Date        | Revision | Changes  |
|-------------|----------|--|
| 09-Jan-2014 | 1        | Initial release.   |
| 07-May-2014 | 2        | Added D <sup>2</sup> PAK package and related details.<br><i>Table 2: Absolute maximum ratings:</i><br>– P <sub>tot</sub> : updated value<br><i>Table 3: Thermal data:</i><br>– R <sub>thj-case</sub> : updated value |
| 02-Feb-2015 | 3        | Added PowerSO-10 package and related details.<br>Updated <i>Chapter 4: Package information</i>   |

**IMPORTANT NOTICE – PLEASE READ CAREFULLY**

STMicroelectronics NV and its subsidiaries ("ST") reserve the right to make changes, corrections, enhancements, modifications, and improvements to ST products and/or to this document at any time without notice. Purchasers should obtain the latest relevant information on ST products before placing orders. ST products are sold pursuant to ST's terms and conditions of sale in place at the time of order acknowledgement.

Purchasers are solely responsible for the choice, selection, and use of ST products and ST assumes no liability for application assistance or the design of Purchasers' products.

No license, express or implied, to any intellectual property right is granted by ST herein.

Resale of ST products with provisions different from the information set forth herein shall void any warranty granted by ST for such product.

ST and the ST logo are trademarks of ST. All other product or service names are the property of their respective owners.

Information in this document supersedes and replaces information previously supplied in any prior versions of this document.

© 2015 STMicroelectronics – All rights reserved



Компания «Океан Электроники» предлагает заключение долгосрочных отношений при поставках импортных электронных компонентов на взаимовыгодных условиях!

Наши преимущества:

- Поставка оригинальных импортных электронных компонентов напрямую с производств Америки, Европы и Азии, а так же с крупнейших складов мира;
- Широкая линейка поставок активных и пассивных импортных электронных компонентов (более 30 млн. наименований);
- Поставка сложных, дефицитных, либо снятых с производства позиций;
- Оперативные сроки поставки под заказ (от 5 рабочих дней);
- Экспресс доставка в любую точку России;
- Помощь Конструкторского Отдела и консультации квалифицированных инженеров;
- Техническая поддержка проекта, помощь в подборе аналогов, поставка прототипов;
- Поставка электронных компонентов под контролем ВП;
- Система менеджмента качества сертифицирована по Международному стандарту ISO 9001;
- При необходимости вся продукция военного и аэрокосмического назначения проходит испытания и сертификацию в лаборатории (по согласованию с заказчиком);
- Поставка специализированных компонентов военного и аэрокосмического уровня качества (Xilinx, Altera, Analog Devices, Intersil, Interpoint, Microsemi, Actel, Aeroflex, Peregrine, VPT, Syfer, Eurofarad, Texas Instruments, MS Kennedy, Miteq, Cobham, E2V, MA-COM, Hittite, Mini-Circuits, General Dynamics и др.);

Компания «Океан Электроники» является официальным дистрибьютором и эксклюзивным представителем в России одного из крупнейших производителей разъемов военного и аэрокосмического назначения «JONHON», а так же официальным дистрибьютором и эксклюзивным представителем в России производителя высокотехнологичных и надежных решений для передачи СВЧ сигналов «FORSTAR».



## JONHON

«JONHON» (основан в 1970 г.)

Разъемы специального, военного и аэрокосмического назначения:

(Применяются в военной, авиационной, аэрокосмической, морской, железнодорожной, горно- и нефтедобывающей отраслях промышленности)

«FORSTAR» (основан в 1998 г.)

ВЧ соединители, коаксиальные кабели,  
кабельные сборки и микроволновые компоненты:

(Применяются в телекоммуникациях гражданского и специального назначения, в средствах связи, РЛС, а так же военной, авиационной и аэрокосмической отраслях промышленности).



Телефон: 8 (812) 309-75-97 (многоканальный)

Факс: 8 (812) 320-03-32

Электронная почта: [ocean@oceanchips.ru](mailto:ocean@oceanchips.ru)

Web: <http://oceanchips.ru/>

Адрес: 198099, г. Санкт-Петербург, ул. Калинина, д. 2, корп. 4, лит. А