

100-Pin TQFP & 165-Bump BGA  
Commercial Temp

## 9Mb Pipelined and Flow Through Synchronous NBT SRAM

250 MHz–150 MHz  
1.8 V or 2.5 V  $V_{DD}$   
1.8 V or 2.5 V I/O

### Features

- User-configurable Pipeline and Flow Through mode
- NBT (No Bus Turn Around) functionality allows zero wait read-write-read bus utilization
- Fully pin-compatible with both pipelined and flow through NtRAM™, NoBL™ and ZBT™ SRAMs
- IEEE 1149.1 JTAG-compatible Boundary Scan
- 1.8 V or 2.5 V core power supply
- 1.8 V or 2.5 V I/O supply
- $\overline{LBO}$  pin for Linear or Interleave Burst mode
- Pin-compatible with 2M, 4M, and 18M devices
- Byte write operation (9-bit Bytes)
- 3 chip enable signals for easy depth expansion
- ZZ pin for automatic power-down
- JEDEC-standard packages
- RoHS-compliant 100-lead TQFP and 165-bump BGA packages available

### Functional Description

The GS881Z18/32/36C(T/D)-xxxV is a 9Mbit Synchronous Static SRAM. GSI's NBT SRAMs, like ZBT, NtRAM, NoBL or other pipelined read/double late write or flow through read/single late write SRAMs, allow utilization of all available bus bandwidth by eliminating the need to insert deselect cycles when the device is switched from read to write cycles.

Because it is a synchronous device, address, data inputs, and read/write control inputs are captured on the rising edge of the input clock. Burst order control ( $\overline{LBO}$ ) must be tied to a power rail for proper operation. Asynchronous inputs include the Sleep mode enable, ZZ and Output Enable. Output Enable can be used to override the synchronous control of the output drivers and turn the RAM's output drivers off at any time. Write cycles are internally self-timed and initiated by the rising edge of the clock input. This feature eliminates complex off-chip write pulse generation required by asynchronous SRAMs and simplifies input signal timing.

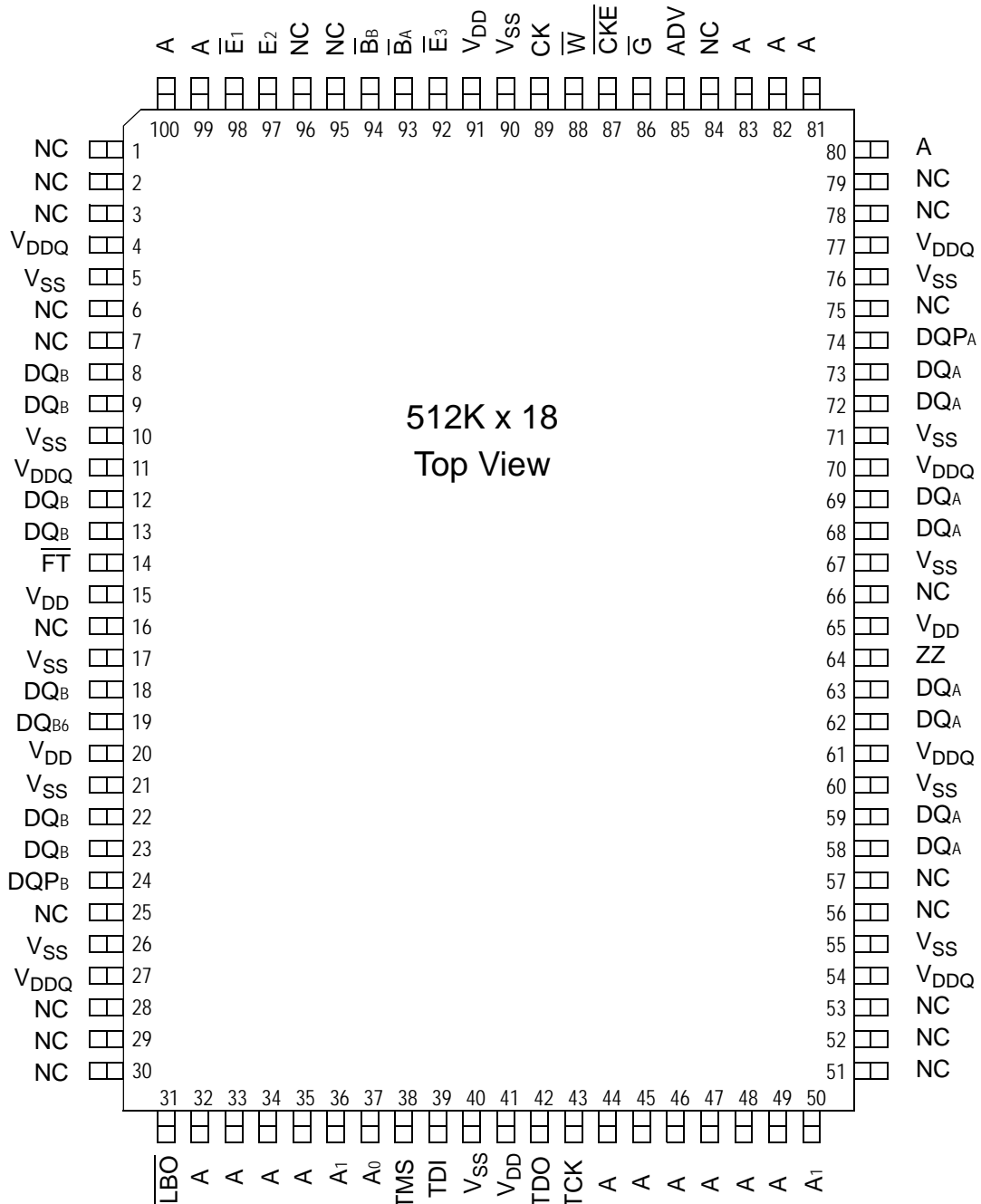
The GS881Z18/32/36C(T/D)-xxxV may be configured by the user to operate in Pipeline or Flow Through mode. Operating as a pipelined synchronous device, in addition to the rising-edge-triggered registers that capture input signals, the device incorporates a rising-edge-triggered output register. For read cycles, pipelined SRAM output data is temporarily stored by the edge triggered output register during the access cycle and then released to the output drivers at the next rising edge of clock.

The GS881Z18/32/36C(T/D)-xxxV is implemented with GSI's high performance CMOS technology and is available in JEDEC-standard 100-pin TQFP and 165-bump BGA packages.

### Parameter Synopsis

|                         |                | -250 | -200 | -150 | Unit |
|-------------------------|----------------|------|------|------|------|
| Pipeline<br>3-1-1-1     | $t_{kQ}$       | 3.0  | 3.0  | 3.8  | ns   |
|                         | tCycle         | 4.0  | 5.0  | 6.7  | ns   |
|                         | Curr (x18)     | 175  | 150  | 125  | mA   |
|                         | Curr (x32/x36) | 200  | 165  | 145  | mA   |
| Flow Through<br>2-1-1-1 | $t_{kQ}$       | 5.5  | 6.5  | 7.5  | ns   |
|                         | tCycle         | 5.5  | 6.5  | 7.5  | ns   |
|                         | Curr (x18)     | 135  | 125  | 113  | mA   |
|                         | Curr (x32/x36) | 155  | 140  | 125  | mA   |

GS881Z18C881Z32CT-xxxV 100-Pin TQFP Pinout (Package T)



**Note:**

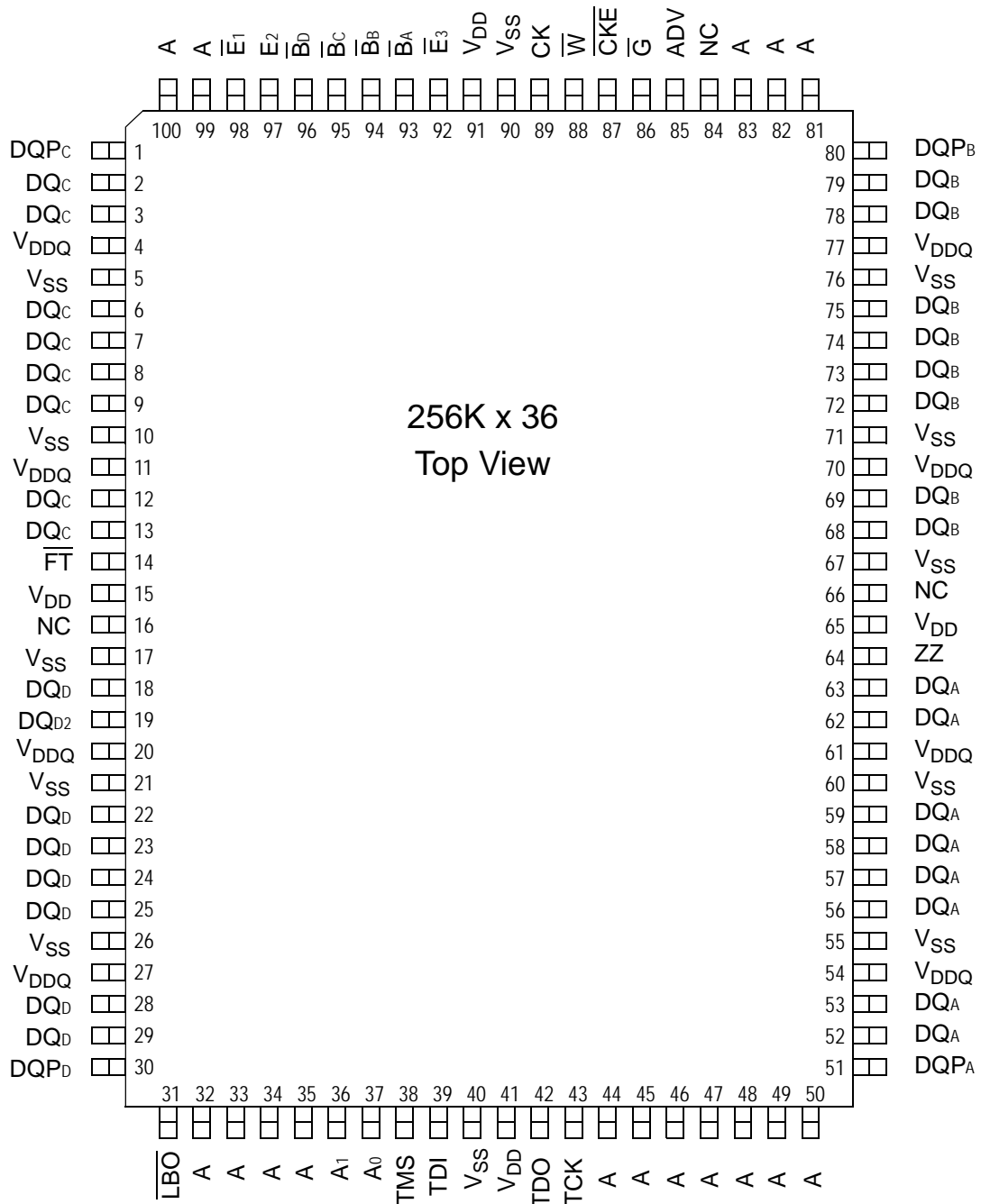
Pins marked with NC can be tied to either  $V_{DD}$  or  $V_{SS}$ . These pins can also be left floating.

## GS881Z32CT-xxxV 100-Pin TQFP Pinout (Package T)


**Note:**

 Pins marked with NC can be tied to either  $V_{DD}$  or  $V_{SS}$ . These pins can also be left floating.

GS881Z36CT-xxxV 100-Pin TQFP Pinout (Package T)



**Note:**  
Pins marked with NC can be tied to either VDD or VSS. These pins can also be left floating.

## 100-Pin TQFP Pin Descriptions

| Symbol                          | Type | Description  |
|---------------------------------|------|--|
| A <sub>0</sub> , A <sub>1</sub> | In   | Burst Address Inputs; Preload the burst counter                |
| A                               | In   | Address Inputs   |
| CK                              | In   | Clock Input Signal   |
| $\overline{B}_A$                | In   | Byte Write signal for data inputs DQ <sub>A</sub> ; active low |
| $\overline{B}_B$                | In   | Byte Write signal for data inputs DQ <sub>B</sub> ; active low |
| $\overline{B}_C$                | In   | Byte Write signal for data inputs DQ <sub>C</sub> ; active low |
| $\overline{B}_D$                | In   | Byte Write signal for data inputs DQ <sub>D</sub> ; active low |
| $\overline{W}$                  | In   | Write Enable; active low                                       |
| $\overline{E}_1$                | In   | Chip Enable; active low  |
| E <sub>2</sub>                  | In   | Chip Enable—Active High. For self decoded depth expansion      |
| $\overline{E}_3$                | In   | Chip Enable—Active Low. For self decoded depth expansion       |
| $\overline{G}$                  | In   | Output Enable; active low                                      |
| ADV                             | In   | Advance/Load; Burst address counter control pin                |
| $\overline{CKE}$                | In   | Clock Input Buffer Enable; active low                          |
| NC                              | —    | No Connect   |
| DQ <sub>A</sub>                 | I/O  | Byte A Data Input and Output pins                              |
| DQ <sub>B</sub>                 | I/O  | Byte B Data Input and Output pins                              |
| DQ <sub>C</sub>                 | I/O  | Byte C Data Input and Output pins                              |
| DQ <sub>D</sub>                 | I/O  | Byte D Data Input and Output pins                              |
| DQP <sub>A</sub>                | I/O  | 9th Data I/O Pin; Byte A                                       |
| DQP <sub>B</sub>                | I/O  | 9th Data I/O Pin; Byte B                                       |
| DQP <sub>C</sub>                | I/O  | 9th Data I/O Pin; Byte C                                       |
| DQP <sub>D</sub>                | I/O  | 9th Data I/O Pin; Byte D                                       |
| ZZ                              | In   | Power down control; active high                                |
| $\overline{FT}$                 | In   | Pipeline/Flow Through Mode Control; active low                 |
| $\overline{LBO}$                | In   | Linear Burst Order; active low.                                |
| TMS                             |      | Scan Test Mode Select  |
| TDI                             |      | Scan Test Data In  |
| TDO                             |      | Scan Test Data Out   |
| TCK                             |      | Scan Test Clock  |
| V <sub>DD</sub>                 | In   | Core power supply  |
| V <sub>SS</sub>                 | In   | Ground   |
| V <sub>DDQ</sub>                | In   | Output driver power supply                                     |

## 165 Bump BGA—x18 Commom I/O—Top View (Package D)

|   | 1                | 2   | 3                | 4               | 5               | 6               | 7                | 8               | 9                | 10  | 11  |   |
|---|------------------|-----|------------------|-----------------|-----------------|-----------------|------------------|-----------------|------------------|-----|-----|---|
| A | NC               | A   | $\overline{E1}$  | $\overline{BB}$ | NC              | $\overline{E3}$ | $\overline{CKE}$ | ADV             | A17              | A   | A   | A |
| B | NC               | A   | E2               | NC              | $\overline{BA}$ | CK              | $\overline{W}$   | $\overline{G}$  | NC               | A   | NC  | B |
| C | NC               | NC  | V <sub>DDQ</sub> | V <sub>SS</sub> | V <sub>SS</sub> | V <sub>SS</sub> | V <sub>SS</sub>  | V <sub>SS</sub> | V <sub>DDQ</sub> | NC  | DQA | C |
| D | NC               | DQB | V <sub>DDQ</sub> | V <sub>DD</sub> | V <sub>SS</sub> | V <sub>SS</sub> | V <sub>SS</sub>  | V <sub>DD</sub> | V <sub>DDQ</sub> | NC  | DQA | D |
| E | NC               | DQB | V <sub>DDQ</sub> | V <sub>DD</sub> | V <sub>SS</sub> | V <sub>SS</sub> | V <sub>SS</sub>  | V <sub>DD</sub> | V <sub>DDQ</sub> | NC  | DQA | E |
| F | NC               | DQB | V <sub>DDQ</sub> | V <sub>DD</sub> | V <sub>SS</sub> | V <sub>SS</sub> | V <sub>SS</sub>  | V <sub>DD</sub> | V <sub>DDQ</sub> | NC  | DQA | F |
| G | NC               | DQB | V <sub>DDQ</sub> | V <sub>DD</sub> | V <sub>SS</sub> | V <sub>SS</sub> | V <sub>SS</sub>  | V <sub>DD</sub> | V <sub>DDQ</sub> | NC  | DQA | G |
| H | $\overline{FT}$  | MCH | NC               | V <sub>DD</sub> | V <sub>SS</sub> | V <sub>SS</sub> | V <sub>SS</sub>  | V <sub>DD</sub> | NC               | NC  | ZZ  | H |
| J | DQB              | NC  | V <sub>DDQ</sub> | V <sub>DD</sub> | V <sub>SS</sub> | V <sub>SS</sub> | V <sub>SS</sub>  | V <sub>DD</sub> | V <sub>DDQ</sub> | DQA | NC  | J |
| K | DQB              | NC  | V <sub>DDQ</sub> | V <sub>DD</sub> | V <sub>SS</sub> | V <sub>SS</sub> | V <sub>SS</sub>  | V <sub>DD</sub> | V <sub>DDQ</sub> | DQA | NC  | K |
| L | DQB              | NC  | V <sub>DDQ</sub> | V <sub>DD</sub> | V <sub>SS</sub> | V <sub>SS</sub> | V <sub>SS</sub>  | V <sub>DD</sub> | V <sub>DDQ</sub> | DQA | NC  | L |
| M | DQB              | NC  | V <sub>DDQ</sub> | V <sub>DD</sub> | V <sub>SS</sub> | V <sub>SS</sub> | V <sub>SS</sub>  | V <sub>DD</sub> | V <sub>DDQ</sub> | DQA | NC  | M |
| N | DQB              | NC  | V <sub>DDQ</sub> | V <sub>SS</sub> | NC              | NC              | NC               | V <sub>SS</sub> | V <sub>DDQ</sub> | NC  | NC  | N |
| P | NC               | NC  | A                | A               | TDI             | A1              | TDO              | A               | A                | A   | NC  | P |
| R | $\overline{LBO}$ | NC  | A                | A               | TMS             | A0              | TCK              | A               | A                | A   | A   | R |

11 x 15 Bump BGA—13 mm x 15 mm Body—1.0 mm Bump Pitch

## 165 Bump BGA—x32 Common I/O—Top View (Package D)

|   | 1                | 2               | 3                | 4               | 5               | 6               | 7                | 8               | 9                | 10              | 11              |   |
|---|------------------|-----------------|------------------|-----------------|-----------------|-----------------|------------------|-----------------|------------------|-----------------|-----------------|---|
| A | NC               | A               | $\overline{E1}$  | $\overline{BC}$ | $\overline{BB}$ | $\overline{E3}$ | $\overline{CKE}$ | ADV             | A17              | A               | NC              | A |
| B | NC               | A               | E2               | $\overline{BD}$ | $\overline{BA}$ | CK              | $\overline{W}$   | $\overline{G}$  | NC               | A               | NC              | B |
| C | NC               | NC              | V <sub>DDQ</sub> | V <sub>SS</sub> | V <sub>SS</sub> | V <sub>SS</sub> | V <sub>SS</sub>  | V <sub>SS</sub> | V <sub>DDQ</sub> | NC              | NC              | C |
| D | DQ <sub>c</sub>  | DQ <sub>c</sub> | V <sub>DDQ</sub> | V <sub>DD</sub> | V <sub>SS</sub> | V <sub>SS</sub> | V <sub>SS</sub>  | V <sub>DD</sub> | V <sub>DDQ</sub> | DQ <sub>B</sub> | DQ <sub>B</sub> | D |
| E | DQ <sub>c</sub>  | DQ <sub>c</sub> | V <sub>DDQ</sub> | V <sub>DD</sub> | V <sub>SS</sub> | V <sub>SS</sub> | V <sub>SS</sub>  | V <sub>DD</sub> | V <sub>DDQ</sub> | DQ <sub>B</sub> | DQ <sub>B</sub> | E |
| F | DQ <sub>c</sub>  | DQ <sub>c</sub> | V <sub>DDQ</sub> | V <sub>DD</sub> | V <sub>SS</sub> | V <sub>SS</sub> | V <sub>SS</sub>  | V <sub>DD</sub> | V <sub>DDQ</sub> | DQ <sub>B</sub> | DQ <sub>B</sub> | F |
| G | DQ <sub>c</sub>  | DQ <sub>c</sub> | V <sub>DDQ</sub> | V <sub>DD</sub> | V <sub>SS</sub> | V <sub>SS</sub> | V <sub>SS</sub>  | V <sub>DD</sub> | V <sub>DDQ</sub> | DQ <sub>B</sub> | DQ <sub>B</sub> | G |
| H | $\overline{FT}$  | MCH             | NC               | V <sub>DD</sub> | V <sub>SS</sub> | V <sub>SS</sub> | V <sub>SS</sub>  | V <sub>DD</sub> | NC               | NC              | ZZ              | H |
| J | DQ <sub>D</sub>  | DQ <sub>D</sub> | V <sub>DDQ</sub> | V <sub>DD</sub> | V <sub>SS</sub> | V <sub>SS</sub> | V <sub>SS</sub>  | V <sub>DD</sub> | V <sub>DDQ</sub> | DQ <sub>A</sub> | DQ <sub>A</sub> | J |
| K | DQ <sub>D</sub>  | DQ <sub>D</sub> | V <sub>DDQ</sub> | V <sub>DD</sub> | V <sub>SS</sub> | V <sub>SS</sub> | V <sub>SS</sub>  | V <sub>DD</sub> | V <sub>DDQ</sub> | DQ <sub>A</sub> | DQ <sub>A</sub> | K |
| L | DQ <sub>D</sub>  | DQ <sub>D</sub> | V <sub>DDQ</sub> | V <sub>DD</sub> | V <sub>SS</sub> | V <sub>SS</sub> | V <sub>SS</sub>  | V <sub>DD</sub> | V <sub>DDQ</sub> | DQ <sub>A</sub> | DQ <sub>A</sub> | L |
| M | DQ <sub>D</sub>  | DQ <sub>D</sub> | V <sub>DDQ</sub> | V <sub>DD</sub> | V <sub>SS</sub> | V <sub>SS</sub> | V <sub>SS</sub>  | V <sub>DD</sub> | V <sub>DDQ</sub> | DQ <sub>A</sub> | DQ <sub>A</sub> | M |
| N | NC               | NC              | V <sub>DDQ</sub> | V <sub>SS</sub> | NC              | NC              | NC               | V <sub>SS</sub> | V <sub>DDQ</sub> | NC              | NC              | N |
| P | NC               | NC              | A                | A               | TDI             | A1              | TDO              | A               | A                | A               | NC              | P |
| R | $\overline{LBO}$ | NC              | A                | A               | TMS             | A0              | TCK              | A               | A                | A               | A               | R |

11 x 15 Bump BGA—13 mm x 15 mm Body—1.0 mm Bump Pitch

## 165 Bump BGA—x36 Common I/O—Top View (Package D)

|   | 1                | 2   | 3                | 4               | 5               | 6               | 7                | 8               | 9                | 10  | 11   |   |
|---|------------------|-----|------------------|-----------------|-----------------|-----------------|------------------|-----------------|------------------|-----|------|---|
| A | NC               | A   | $\overline{E1}$  | $\overline{BC}$ | $\overline{BB}$ | $\overline{E3}$ | $\overline{CKE}$ | ADV             | A                | A   | NC   | A |
| B | NC               | A   | E2               | $\overline{BD}$ | $\overline{BA}$ | CK              | $\overline{W}$   | $\overline{G}$  | NC               | A   | NC   | B |
| C | DQPc             | NC  | V <sub>DDQ</sub> | V <sub>SS</sub> | V <sub>SS</sub> | V <sub>SS</sub> | V <sub>SS</sub>  | V <sub>SS</sub> | V <sub>DDQ</sub> | NC  | DQPb | C |
| D | DQc              | DQc | V <sub>DDQ</sub> | V <sub>DD</sub> | V <sub>SS</sub> | V <sub>SS</sub> | V <sub>SS</sub>  | V <sub>DD</sub> | V <sub>DDQ</sub> | DQB | DQB  | D |
| E | DQc              | DQc | V <sub>DDQ</sub> | V <sub>DD</sub> | V <sub>SS</sub> | V <sub>SS</sub> | V <sub>SS</sub>  | V <sub>DD</sub> | V <sub>DDQ</sub> | DQB | DQB  | E |
| F | DQc              | DQc | V <sub>DDQ</sub> | V <sub>DD</sub> | V <sub>SS</sub> | V <sub>SS</sub> | V <sub>SS</sub>  | V <sub>DD</sub> | V <sub>DDQ</sub> | DQB | DQB  | F |
| G | DQc              | DQc | V <sub>DDQ</sub> | V <sub>DD</sub> | V <sub>SS</sub> | V <sub>SS</sub> | V <sub>SS</sub>  | V <sub>DD</sub> | V <sub>DDQ</sub> | DQB | DQB  | G |
| H | $\overline{FT}$  | MCH | NC               | V <sub>DD</sub> | V <sub>SS</sub> | V <sub>SS</sub> | V <sub>SS</sub>  | V <sub>DD</sub> | NC               | NC  | ZZ   | H |
| J | DQd              | DQd | V <sub>DDQ</sub> | V <sub>DD</sub> | V <sub>SS</sub> | V <sub>SS</sub> | V <sub>SS</sub>  | V <sub>DD</sub> | V <sub>DDQ</sub> | DQA | DQA  | J |
| K | DQd              | DQd | V <sub>DDQ</sub> | V <sub>DD</sub> | V <sub>SS</sub> | V <sub>SS</sub> | V <sub>SS</sub>  | V <sub>DD</sub> | V <sub>DDQ</sub> | DQA | DQA  | K |
| L | DQd              | DQd | V <sub>DDQ</sub> | V <sub>DD</sub> | V <sub>SS</sub> | V <sub>SS</sub> | V <sub>SS</sub>  | V <sub>DD</sub> | V <sub>DDQ</sub> | DQA | DQA  | L |
| M | DQd              | DQd | V <sub>DDQ</sub> | V <sub>DD</sub> | V <sub>SS</sub> | V <sub>SS</sub> | V <sub>SS</sub>  | V <sub>DD</sub> | V <sub>DDQ</sub> | DQA | DQA  | M |
| N | DQPd             | NC  | V <sub>DDQ</sub> | V <sub>SS</sub> | NC              | NC              | NC               | V <sub>SS</sub> | V <sub>DDQ</sub> | NC  | DQPA | N |
| P | NC               | NC  | A                | A               | TDI             | A1              | TDO              | A               | A                | A   | NC   | P |
| R | $\overline{LBO}$ | NC  | A                | A               | TMS             | A0              | TCK              | A               | A                | A   | A    | R |

11 x 15 Bump BGA—13 mm x 15 mm Body—1.0 mm Bump Pitch



## GS881Z18/32/36D 165-Bump BGA Pin Description

| Symbol                          | Type | Description  |
|---------------------------------|------|--|
| A <sub>0</sub> , A <sub>1</sub> | I    | Address field LSBs and Address Counter Preset Inputs           |
| A                               | I    | Address Inputs   |
| $\overline{B}_A$                | In   | Byte Write signal for data inputs DQ <sub>A</sub> ; active low |
| $\overline{B}_B$                | In   | Byte Write signal for data inputs DQ <sub>B</sub> ; active low |
| $\overline{B}_C$                | In   | Byte Write signal for data inputs DQ <sub>C</sub> ; active low |
| $\overline{B}_D$                | In   | Byte Write signal for data inputs DQ <sub>D</sub> ; active low |
| NC                              | —    | No Connect   |
| CK                              | I    | Clock Input Signal; active high                                |
| $\overline{CKE}$                | I    | Clock Enable; active low                                       |
| $\overline{W}$                  | I    | Write Enable; active low                                       |
| $\overline{E}_1$                | I    | Chip Enable; active low  |
| $\overline{E}_3$                | I    | Chip Enable; active low  |
| E <sub>2</sub>                  | I    | Chip Enable; active high                                       |
| $\overline{G}$                  | I    | Output Enable; active low                                      |
| DQ <sub>A</sub>                 | I/O  | Byte A Data Input and Output pins                              |
| DQ <sub>B</sub>                 | I/O  | Byte B Data Input and Output pins                              |
| DQ <sub>C</sub>                 | I/O  | Byte C Data Input and Output pins                              |
| DQ <sub>D</sub>                 | I/O  | Byte D Data Input and Output pins                              |
| DQP <sub>A</sub>                | I/O  | 9th Data I/O Pin; Byte A                                       |
| DQP <sub>B</sub>                | I/O  | 9th Data I/O Pin; Byte B                                       |
| DQP <sub>C</sub>                | I/O  | 9th Data I/O Pin; Byte C                                       |
| DQP <sub>D</sub>                | I/O  | 9th Data I/O Pin; Byte D                                       |
| ADV                             | I    | Burst address counter advance enable; active high              |
| ZZ                              | I    | Sleep mode control; active high                                |
| $\overline{FT}$                 | I    | Flow Through or Pipeline mode; active low                      |
| $\overline{LBO}$                | I    | Linear Burst Order mode; active low                            |
| TMS                             | I    | Scan Test Mode Select  |
| TDI                             | I    | Scan Test Data In  |
| TDO                             | O    | Scan Test Data Out   |
| TCK                             | I    | Scan Test Clock  |
| MCH                             | —    | Must Connect High  |
| DNU                             | —    | Do Not Use   |
| V <sub>DD</sub>                 | I    | Core power supply  |
| V <sub>SS</sub>                 | I    | I/O and Core Ground  |
| V <sub>DDQ</sub>                | I    | Output driver power supply                                     |

GS881Z18/32/36C881Z18/32/36C881Z18C(T/D)-xxxV NBT SRAM Functional Block Diagram



## Functional Details

### Clocking

Deassertion of the Clock Enable ( $\overline{\text{CKE}}$ ) input blocks the Clock input from reaching the RAM's internal circuits. It may be used to suspend RAM operations. Failure to observe Clock Enable set-up or hold requirements will result in erratic operation.

### Pipeline Mode Read and Write Operations

All inputs (with the exception of Output Enable, Linear Burst Order and Sleep) are synchronized to rising clock edges. Single cycle read and write operations must be initiated with the Advance/Load pin (ADV) held low, in order to load the new address. Device activation is accomplished by asserting all three of the Chip Enable inputs ( $\overline{\text{E}}_1$ ,  $\text{E}_2$  and  $\overline{\text{E}}_3$ ). Deassertion of any one of the Enable inputs will deactivate the device.

| Function        | $\overline{\text{W}}$ | $\overline{\text{B}}_A$ | $\overline{\text{B}}_B$ | $\overline{\text{B}}_C$ | $\overline{\text{B}}_D$ |
|-----------------|-----------------------|-------------------------|-------------------------|-------------------------|-------------------------|
| Read            | H                     | X                       | X                       | X                       | X                       |
| Write Byte "a"  | L                     | L                       | H                       | H                       | H                       |
| Write Byte "b"  | L                     | H                       | L                       | H                       | H                       |
| Write Byte "c"  | L                     | H                       | H                       | L                       | H                       |
| Write Byte "d"  | L                     | H                       | H                       | H                       | L                       |
| Write all Bytes | L                     | L                       | L                       | L                       | L                       |
| Write Abort/NOP | L                     | H                       | H                       | H                       | H                       |

Read operation is initiated when the following conditions are satisfied at the rising edge of clock:  $\overline{\text{CKE}}$  is asserted low, all three chip enables ( $\overline{\text{E}}_1$ ,  $\text{E}_2$  and  $\overline{\text{E}}_3$ ) are active, the write enable input signals  $\overline{\text{W}}$  is deasserted high, and ADV is asserted low. The address presented to the address inputs is latched in to address register and presented to the memory core and control logic. The control logic determines that a read access is in progress and allows the requested data to propagate to the input of the output register. At the next rising edge of clock the read data is allowed to propagate through the output register and onto the output pins.

Write operation occurs when the RAM is selected, CKE is active and the write input is sampled low at the rising edge of clock. The Byte Write Enable inputs ( $\overline{\text{B}}_A$ ,  $\overline{\text{B}}_B$ ,  $\overline{\text{B}}_C$  &  $\overline{\text{B}}_D$ ) determine which bytes will be written. All or none may be activated. A write cycle with no Byte Write inputs active is a no-op cycle. The pipelined NBT SRAM provides double late write functionality, matching the write command versus data pipeline length (2 cycles) to the read command versus data pipeline length (2 cycles). At the first rising edge of clock, Enable, Write, Byte Write(s), and Address are registered. The Data In associated with that address is required at the third rising edge of clock.

### Flow Through Mode Read and Write Operations

Operation of the RAM in Flow Through mode is very similar to operations in Pipeline mode. Activation of a read cycle and the use of the Burst Address Counter is identical. In Flow Through mode the device may begin driving out new data immediately after new address are clocked into the RAM, rather than holding new data until the following (second) clock edge. Therefore, in Flow Through mode the read pipeline is one cycle shorter than in Pipeline mode.

Write operations are initiated in the same way, but differ in that the write pipeline is one cycle shorter as well, preserving the ability to turn the bus from reads to writes without inserting any dead cycles. While the pipelined NBT RAMs implement a double late write protocol, in Flow Through mode a single late write protocol mode is observed. Therefore, in Flow Through mode, address and control are registered on the first rising edge of clock and data in is required at the data input pins at the second rising edge of clock.

## Synchronous Truth Table

| Operation                   | Type | Address  | CK  | $\overline{\text{CKE}}$ | ADV | $\overline{\text{W}}$ | $\overline{\text{Bx}}$ | $\overline{\text{E1}}$ | E2 | $\overline{\text{E3}}$ | $\overline{\text{G}}$ | ZZ | DQ     | Notes    |
|-----------------------------|------|----------|-----|-------------------------|-----|-----------------------|------------------------|------------------------|----|------------------------|-----------------------|----|--------|----------|
| Read Cycle, Begin Burst     | R    | External | L-H | L                       | L   | H                     | X                      | L                      | H  | L                      | L                     | L  | Q      |          |
| Read Cycle, Continue Burst  | B    | Next     | L-H | L                       | H   | X                     | X                      | X                      | X  | X                      | L                     | L  | Q      | 1,10     |
| NOP/Read, Begin Burst       | R    | External | L-H | L                       | L   | H                     | X                      | L                      | H  | L                      | H                     | L  | High-Z | 2        |
| Dummy Read, Continue Burst  | B    | Next     | L-H | L                       | H   | X                     | X                      | X                      | X  | X                      | H                     | L  | High-Z | 1,2,10   |
| Write Cycle, Begin Burst    | W    | External | L-H | L                       | L   | L                     | L                      | L                      | H  | L                      | X                     | L  | D      | 3        |
| Write Abort, Begin Burst    | D    | None     | L-H | L                       | L   | L                     | H                      | L                      | H  | L                      | X                     | L  | High-Z | 1        |
| Write Cycle, Continue Burst | B    | Next     | L-H | L                       | H   | X                     | L                      | X                      | X  | X                      | X                     | L  | D      | 1,3,10   |
| Write Abort, Continue Burst | B    | Next     | L-H | L                       | H   | X                     | H                      | X                      | X  | X                      | X                     | L  | High-Z | 1,2,3,10 |
| Deselect Cycle, Power Down  | D    | None     | L-H | L                       | L   | X                     | X                      | H                      | X  | X                      | X                     | L  | High-Z |          |
| Deselect Cycle, Power Down  | D    | None     | L-H | L                       | L   | X                     | X                      | X                      | X  | H                      | X                     | L  | High-Z |          |
| Deselect Cycle, Power Down  | D    | None     | L-H | L                       | L   | X                     | X                      | X                      | L  | X                      | X                     | L  | High-Z |          |
| Deselect Cycle, Continue    | D    | None     | L-H | L                       | H   | X                     | X                      | X                      | X  | X                      | X                     | L  | High-Z | 1        |
| Sleep Mode                  |      | None     | X   | X                       | X   | X                     | X                      | X                      | X  | X                      | X                     | H  | High-Z |          |
| Clock Edge Ignore, Stall    |      | Current  | L-H | H                       | X   | X                     | X                      | X                      | X  | X                      | X                     | L  | -      | 4        |

## Notes:

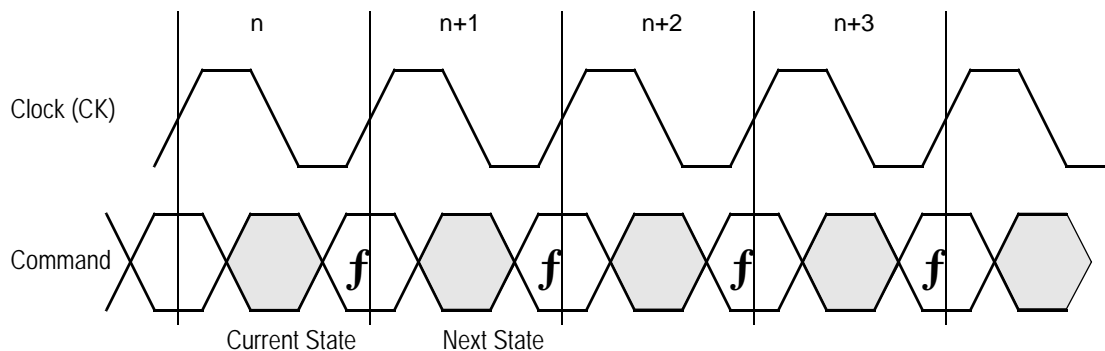
- Continue Burst cycles, whether read or write, use the same control inputs. A Deselect continue cycle can only be entered into if a Deselect cycle is executed first.
- Dummy Read and Write abort can be considered NOPs because the SRAM performs no operation. A Write abort occurs when the  $\overline{\text{W}}$  pin is sampled low but no Byte Write pins are active so no write operation is performed.
- $\overline{\text{G}}$  can be wired low to minimize the number of control signals provided to the SRAM. Output drivers will automatically turn off during write cycles.
- If  $\overline{\text{CKE}}$  High occurs during a pipelined read cycle, the DQ bus will remain active (Low Z). If  $\overline{\text{CKE}}$  High occurs during a write cycle, the bus will remain in High Z.
- X = Don't Care; H = Logic High; L = Logic Low;  $\overline{\text{Bx}}$  = High = All Byte Write signals are high;  $\overline{\text{Bx}}$  = Low = One or more Byte/Write signals are Low
- All inputs, except  $\overline{\text{G}}$  and ZZ must meet setup and hold times of rising clock edge.
- Wait states can be inserted by setting  $\overline{\text{CKE}}$  high.
- This device contains circuitry that ensures all outputs are in High Z during power-up.
- A 2-bit burst counter is incorporated.
- The address counter is incremented for all Burst continue cycles.

## Pipelined and Flow Through Read Write Control State Diagram


**Key**

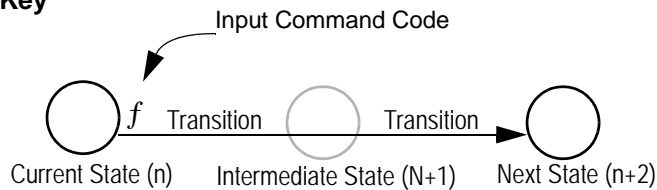
**Notes:**

1. The Hold command ( $\overline{\text{CKE}}$  Low) is not shown because it prevents any state change.
2. W, R, B, and D represent input command codes as indicated in the Synchronous Truth Table.



## Current State and Next State Definition for Pipelined and Flow Through Read/Write Control State Diagram

## Pipeline Mode Data I/O State Diagram


**Key**

**Notes:**

1. The Hold command ( $\overline{\text{CKE}}$  Low) is not shown because it prevents any state change.
2. W, R, B, and D represent input command codes as indicated in the Truth Tables.



Current State and Next State Definition for Pipeline Mode Data I/O State Diagram

Flow Through Mode Data I/O State Diagram



- Notes:**
1. The Hold command ( $\overline{CKE}$  Low) is not shown because it prevents any state change.
  2. W, R, B, and D represent input command codes as indicated in the Truth Tables.



Current State and Next State Definition for: Pipeline and Flow through Read Write Control State Diagram

### Burst Cycles

Although NBT RAMs are designed to sustain 100% bus bandwidth by eliminating turnaround cycle when there is transition from read to write, multiple back-to-back reads or writes may also be performed. NBT SRAMs provide an on-chip burst address generator that can be utilized, if desired, to further simplify burst read or write implementations. The ADV control pin, when driven high, commands the SRAM to advance the internal address counter and use the counter generated address to read or write the SRAM. The starting address for the first cycle in a burst cycle series is loaded into the SRAM by driving the ADV pin low, into Load mode.

### Burst Order

The burst address counter wraps around to its initial state after four addresses (the loaded address and three more) have been accessed. The burst sequence is determined by the state of the Linear Burst Order pin ( $\overline{\text{LBO}}$ ). When this pin is low, a linear burst sequence is selected. When the RAM is installed with the LBO pin tied high, Interleaved burst sequence is selected. See the tables below for details.

### Mode Pin Functions

| Mode Name               | Pin Name                | State   | Function                   |
|-------------------------|-------------------------|---------|----------------------------|
| Burst Order Control     | $\overline{\text{LBO}}$ | L       | Linear Burst               |
|                         |                         | H       | Interleaved Burst          |
| Output Register Control | $\overline{\text{FT}}$  | L       | Flow Through               |
|                         |                         | H or NC | Pipeline                   |
| Power Down Control      | ZZ                      | L or NC | Active                     |
|                         |                         | H       | Standby, $I_{DD} = I_{SB}$ |

#### Note:

There is a pull-up device on the  $\overline{\text{FT}}$  pin and a pull-down device on the ZZ pin, so this input pin can be unconnected and the chip will operate in the default states as specified in the above tables.

### Burst Counter Sequences

#### Linear Burst Sequence

|             | A[1:0] | A[1:0] | A[1:0] | A[1:0] |
|-------------|--------|--------|--------|--------|
| 1st address | 00     | 01     | 10     | 11     |
| 2nd address | 01     | 10     | 11     | 00     |
| 3rd address | 10     | 11     | 00     | 01     |
| 4th address | 11     | 00     | 01     | 10     |

#### Note:

The burst counter wraps to initial state on the 5th clock.

#### Interleaved Burst Sequence

|             | A[1:0] | A[1:0] | A[1:0] | A[1:0] |
|-------------|--------|--------|--------|--------|
| 1st address | 00     | 01     | 10     | 11     |
| 2nd address | 01     | 00     | 11     | 10     |
| 3rd address | 10     | 11     | 00     | 01     |
| 4th address | 11     | 10     | 01     | 00     |

#### Note:

The burst counter wraps to initial state on the 5th clock.



### Sleep Mode

During normal operation, ZZ must be pulled low, either by the user or by its internal pull down resistor. When ZZ is pulled high, the SRAM will enter a Power Sleep mode after 2 cycles. At this time, internal state of the SRAM is preserved. When ZZ returns to low, the SRAM operates normally after ZZ recovery time.

Sleep mode is a low current, power-down mode in which the device is deselected and current is reduced to  $I_{SB2}$ . The duration of Sleep mode is dictated by the length of time the ZZ is in a high state. After entering Sleep mode, all inputs except ZZ become disabled and all outputs go to High-Z. The ZZ pin is an asynchronous, active high input that causes the device to enter Sleep mode. When the ZZ pin is driven high,  $I_{SB2}$  is guaranteed after the time  $t_{ZZI}$  is met. Because ZZ is an asynchronous input, pending operations or operations in progress may not be properly completed if ZZ is asserted. Therefore, Sleep mode must not be initiated until valid pending operations are completed. Similarly, when exiting Sleep mode during  $t_{ZZR}$ , only a Deselect or Read commands may be applied while the SRAM is recovering from Sleep mode.

### Sleep Mode Timing Diagram



### Designing for Compatibility

The GSI NBT SRAMs offer users a configurable selection between Flow Through mode and Pipelinemode via the  $\overline{FT}$  signal found on Pin 14. Not all vendors offer this option, however most mark Pin 14 as  $V_{DD}$  or  $V_{DDQ}$  on pipelined parts and  $V_{SS}$  on flow through parts. GSI NBT SRAMs are fully compatible with these sockets.

### Absolute Maximum Ratings

(All voltages reference to  $V_{SS}$ )

| Symbol     | Description                   | Value  | Unit        |
|------------|-------------------------------|--|-------------|
| $V_{DD}$   | Voltage on $V_{DD}$ Pins      | -0.5 to 4.6                                  | V           |
| $V_{DDQ}$  | Voltage on $V_{DDQ}$ Pins     | -0.5 to $V_{DD}$                             | V           |
| $V_{I/O1}$ | Voltage on I/O Pins           | -0.5 to $V_{DD} + 0.5$ ( $\leq 4.6$ V max.)  | V           |
| $V_{I/O2}$ | Voltage on I/O Pins           | -0.5 to $V_{DDQ} + 0.5$ ( $\leq 4.6$ V max.) | V           |
| $V_{IN}$   | Voltage on Other Input Pins   | -0.5 to $V_{DD} + 0.5$ ( $\leq 4.6$ V max.)  | V           |
| $I_{IN}$   | Input Current on Any Pin      | +/-20  | mA          |
| $I_{OUT}$  | Output Current on Any I/O Pin | +/-20  | mA          |
| $P_D$      | Package Power Dissipation     | 1.5  | W           |
| $T_{STG}$  | Storage Temperature           | -55 to 125                                   | $^{\circ}C$ |
| $T_{BIAS}$ | Temperature Under Bias        | -55 to 125                                   | $^{\circ}C$ |

#### Notes:

- Permanent damage to the device may occur if the Absolute Maximum Ratings are exceeded. Operation should be restricted to Recommended Operating Conditions. Exposure to conditions exceeding the Absolute Maximum Ratings, for an extended period of time, may affect reliability of this component.
- Both  $V_{I/O1}$  and  $V_{I/O2}$  must be met.

### Power Supply Voltage Ranges (1.8 V/2.5 V Version)

| Parameter                          | Symbol     | Min. | Typ. | Max.     | Unit |
|------------------------------------|------------|------|------|----------|------|
| 1.8 V Supply Voltage               | $V_{DD1}$  | 1.7  | 1.8  | 2.0      | V    |
| 2.5 V Supply Voltage               | $V_{DD2}$  | 2.3  | 2.5  | 2.7      | V    |
| 1.8 V $V_{DDQ}$ I/O Supply Voltage | $V_{DDQ1}$ | 1.7  | 1.8  | $V_{DD}$ | V    |
| 2.5 V $V_{DDQ}$ I/O Supply Voltage | $V_{DDQ2}$ | 2.3  | 2.5  | $V_{DD}$ | V    |

#### Note:

$V_{DDQ}$  must be less than or equal to  $V_{DD} + 0.3$  V at all times.

**$V_{DDQ2}$  &  $V_{DDQ1}$  Range Logic Levels**

| Parameter                   | Symbol         | Min.               | Typ. | Max.               | Unit |
|-----------------------------|----------------|--------------------|------|--------------------|------|
| $V_{DD}$ Input High Voltage | $V_{IH}$       | $0.6 \cdot V_{DD}$ | —    | $V_{DD} + 0.3$     | V    |
| $V_{DD}$ Input High Voltage | $V_{IH(I/O)1}$ | $0.6 \cdot V_{DD}$ | —    | $V_{DD} + 0.3$     | V    |
| $V_{DD}$ Input High Voltage | $V_{IH(I/O)2}$ | $0.6 \cdot V_{DD}$ | —    | $V_{DDQ} + 0.3$    | V    |
| $V_{DD}$ Input Low Voltage  | $V_{IL}$       | -0.3               | —    | $0.3 \cdot V_{DD}$ | V    |

**Notes:**

- $V_{IH}$  (max) must be met for any instantaneous value of  $V_{DD}$ .
- $V_{IH(I/O)1}$  (max) must be met for any instantaneous value of  $V_{DD}$ .
- $V_{IH(I/O)2}$  (max) must be met for any instantaneous value of  $V_{DDQ}$ .
- $V_{DD}$  needs to power-up before or at the same time as  $V_{DDQ}$  to make sure  $V_{IH}$  (max) is not exceeded.

**Recommended Operating Temperatures**

| Parameter                                       | Symbol | Min. | Typ. | Max. | Unit |
|---|--------|------|------|------|------|
| Ambient Temperature (Commercial Range Versions) | $T_A$  | 0    | 25   | 70   | °C   |

**Note:**

Unless otherwise noted, all performance specifications quoted are evaluated for worst case in the temperature range marked on the device.

**Thermal Impedance**

| Package  | Test PCB Substrate | $\theta_{JA}$ (C°/W)<br>Airflow = 0 m/s | $\theta_{JA}$ (C°/W)<br>Airflow = 1 m/s | $\theta_{JA}$ (C°/W)<br>Airflow = 2 m/s | $\theta_{JB}$ (C°/W) | $\theta_{JC}$ (C°/W) |
|----------|--------------------|---|---|---|----------------------|----------------------|
| 100 TQFP | 4-layer            | 38.7                                    | 33.5                                    | 31.9                                    | 27.6                 | 10.6                 |

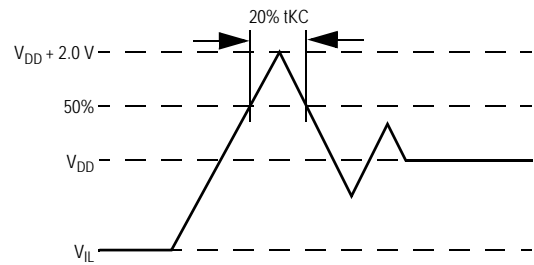
**Notes:**

- Thermal Impedance data is based on a number of samples from multiple lots and should be viewed as a typical number.
- Please refer to JEDEC standard JESD51-6.
- The characteristics of the test fixture PCB influence reported thermal characteristics of the device. Be advised that a good thermal path to the PCB can result in cooling or heating of the RAM depending on PCB temperature.

### Undershoot Measurement and Timing



### Overshoot Measurement and Timing



**Note:**

Input Under/overshoot voltage must be  $-2\text{ V} > V_i < V_{DDn} + 2\text{ V}$  not to exceed 4.6 V maximum, with a pulse width not to exceed 20% t<sub>KC</sub>.

### Capacitance

(T<sub>A</sub> = 25°C, f = 1 MHz, V<sub>DD</sub> = 2.5 V)

| Parameter                | Symbol           | Test conditions        | Typ. | Max. | Unit |
|--------------------------|------------------|------------------------|------|------|------|
| Input Capacitance        | C <sub>IN</sub>  | V <sub>IN</sub> = 0 V  | 8    | 10   | pF   |
| Input/Output Capacitance | C <sub>I/O</sub> | V <sub>OUT</sub> = 0 V | 12   | 14   | pF   |

**Note:**

These parameters are sample tested.

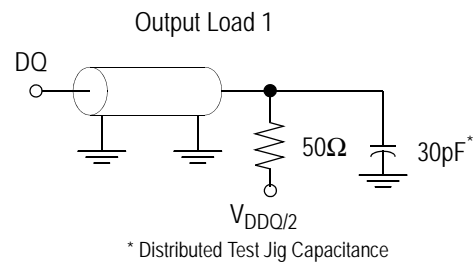
### AC Test Conditions

| Parameter              | Conditions              |
|------------------------|-------------------------|
| Input high level       | V <sub>DD</sub> - 0.2 V |
| Input low level        | 0.2 V                   |
| Input slew rate        | 1 V/ns                  |
| Input reference level  | V <sub>DD</sub> /2      |
| Output reference level | V <sub>DDQ</sub> /2     |
| Output load            | Fig. 1                  |

**Notes:**

1. Include scope and jig capacitance.
2. Test conditions as specified with output loading as shown in Fig. 1 unless otherwise noted.
3. Device is deselected as defined by the Truth Table.

**Figure 1**



## DC Electrical Characteristics

| Parameter                                   | Symbol    | Test Conditions  | Min                       | Max               |
|---|-----------|--|---------------------------|-------------------|
| Input Leakage Current<br>(except mode pins) | $I_{IL}$  | $V_{IN} = 0 \text{ to } V_{DD}$                        | -1 $\mu\text{A}$          | 1 $\mu\text{A}$   |
| $\overline{FT}$ Input Current               | $I_{IN}$  | $V_{DD} \geq V_{IN} \geq 0 \text{ V}$                  | -100 $\mu\text{A}$        | 100 $\mu\text{A}$ |
| Output Leakage Current                      | $I_{OL}$  | Output Disable, $V_{OUT} = 0 \text{ to } V_{DD}$       | -1 $\mu\text{A}$          | 1 $\mu\text{A}$   |
| 1.8 V Output High Voltage                   | $V_{OH1}$ | $I_{OH} = -4 \text{ mA}$ , $V_{DDQ} = 1.7 \text{ V}$   | $V_{DDQ} - 0.4 \text{ V}$ | —                 |
| 2.5 V Output High Voltage                   | $V_{OH2}$ | $I_{OH} = -8 \text{ mA}$ , $V_{DDQ} = 2.375 \text{ V}$ | 1.7 V                     | —                 |
| 1.8 V Output Low Voltage                    | $V_{OL1}$ | $I_{OL} = 4 \text{ mA}$                                | —                         | 0.4 V             |
| 2.5 V Output Low Voltage                    | $V_{OL2}$ | $I_{OL} = 8 \text{ mA}$                                | —                         | 0.4 V             |

## Operating Currents

| Parameter         | Test Conditions   | Mode      | Symbol       | -250            | -200         | -150         | Unit |
|-------------------|---|-----------|--------------|-----------------|--------------|--------------|------|
|                   |   |           |              | 0<br>to 70°C    | 0<br>to 70°C | 0<br>to 70°C |      |
| Operating Current | Device Selected;<br>All other inputs<br>$\geq V_{IH}$ or $\leq V_{IL}$<br>Output open | (x32/x36) | Pipeline     | $I_{DD}$<br>180 | 150          | 125          | mA   |
|                   |   |           | Flow Through | $I_{DDQ}$<br>20 | 15           | 20           |      |
|                   |   | (x18)     | Pipeline     | $I_{DD}$<br>140 | 125          | 110          | mA   |
|                   |   |           | Flow Through | $I_{DDQ}$<br>15 | 15           | 15           |      |
| Standby Current   | $ZZ \geq V_{DD} - 0.2 V$  | —         | Pipeline     | $I_{SB}$<br>25  | 25           | 25           | mA   |
|                   |   |           | Flow Through | $I_{SB}$<br>25  | 25           | 25           |      |
| Deselect Current  | Device Deselected;<br>All other inputs<br>$\geq V_{IH}$ or $\leq V_{IL}$              | —         | Pipeline     | $I_{DD}$<br>45  | 45           | 40           | mA   |
|                   |   |           | Flow Through | $I_{DD}$<br>40  | 40           | 40           |      |

## Notes:

- $I_{DD}$  and  $I_{DDQ}$  apply to any combination of  $V_{DD1}$ ,  $V_{DD2}$ ,  $V_{DDQ1}$ , and  $V_{DDQ2}$  operation.
- All parameters listed are worst case scenario.

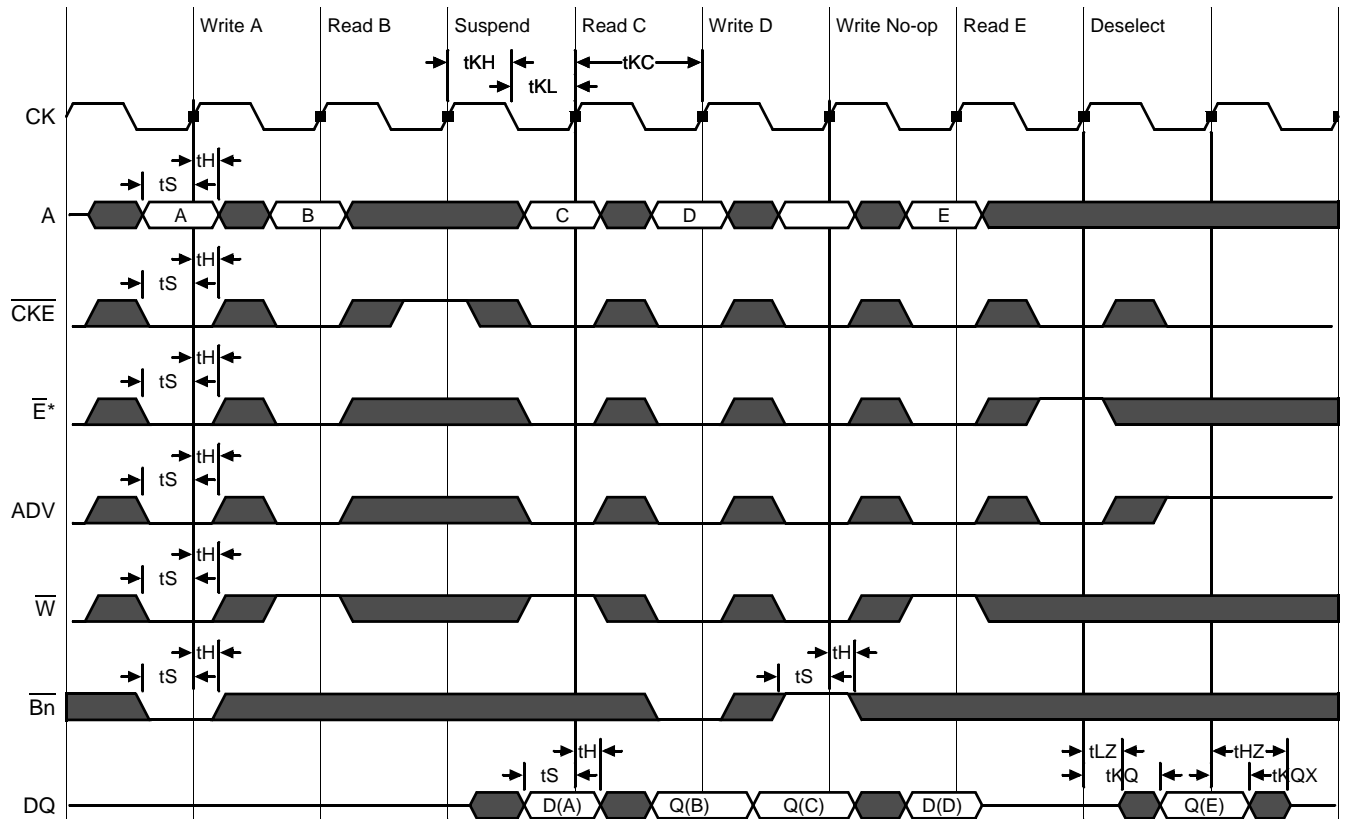
## AC Electrical Characteristics

|              | Parameter                     | Symbol                        | -250 |     | -200 |     | -150 |     | Unit |
|--------------|-------------------------------|-------------------------------|------|-----|------|-----|------|-----|------|
|              |                               |                               | Min  | Max | Min  | Max | Min  | Max |      |
| Pipeline     | Clock Cycle Time              | t <sub>CK</sub>               | 4.0  | —   | 5.0  | —   | 6.7  | —   | ns   |
|              | Clock to Output Valid         | t <sub>KQ</sub>               | —    | 3.0 | —    | 3.0 | —    | 3.8 | ns   |
|              | Clock to Output Invalid       | t <sub>KQX</sub>              | 1.5  | —   | 1.5  | —   | 1.5  | —   | ns   |
|              | Clock to Output in Low-Z      | t <sub>LZ</sub> <sup>1</sup>  | 1.5  | —   | 1.5  | —   | 1.5  | —   | ns   |
|              | Setup time                    | t <sub>S</sub>                | 1.2  | —   | 1.4  | —   | 1.5  | —   | ns   |
|              | Hold time                     | t <sub>H</sub>                | 0.2  | —   | 0.4  | —   | 0.5  | —   | ns   |
| Flow Through | Clock Cycle Time              | t <sub>CK</sub>               | 5.5  | —   | 6.5  | —   | 7.5  | —   | ns   |
|              | Clock to Output Valid         | t <sub>KQ</sub>               | —    | 5.5 | —    | 6.5 | —    | 7.5 | ns   |
|              | Clock to Output Invalid       | t <sub>KQX</sub>              | 2.0  | —   | 2.0  | —   | 2.0  | —   | ns   |
|              | Clock to Output in Low-Z      | t <sub>LZ</sub> <sup>1</sup>  | 2.0  | —   | 2.0  | —   | 2.0  | —   | ns   |
|              | Setup time                    | t <sub>S</sub>                | 1.5  | —   | 1.5  | —   | 1.5  | —   | ns   |
|              | Hold time                     | t <sub>H</sub>                | 0.5  | —   | 0.5  | —   | 0.5  | —   | ns   |
|              | Clock HIGH Time               | t <sub>KH</sub>               | 1.3  | —   | 1.3  | —   | 1.5  | —   | ns   |
|              | Clock LOW Time                | t <sub>KL</sub>               | 1.7  | —   | 1.7  | —   | 1.7  | —   | ns   |
|              | Clock to Output in High-Z     | t <sub>HZ</sub> <sup>1</sup>  | 1.5  | 2.5 | 1.5  | 3.0 | 1.5  | 3.0 | ns   |
|              | $\bar{G}$ to Output Valid     | t <sub>OE</sub>               | —    | 2.5 | —    | 3.0 | —    | 3.8 | ns   |
|              | $\bar{G}$ to output in Low-Z  | t <sub>OLZ</sub> <sup>1</sup> | 0    | —   | 0    | —   | 0    | —   | ns   |
|              | $\bar{G}$ to output in High-Z | t <sub>OHZ</sub> <sup>1</sup> | —    | 2.5 | —    | 3.0 | —    | 3.0 | ns   |
|              | ZZ setup time                 | t <sub>ZZS</sub> <sup>2</sup> | 5    | —   | 5    | —   | 5    | —   | ns   |
|              | ZZ hold time                  | t <sub>ZZH</sub> <sup>2</sup> | 1    | —   | 1    | —   | 1    | —   | ns   |
|              | ZZ recovery                   | t <sub>ZZR</sub>              | 20   | —   | 20   | —   | 20   | —   | ns   |

## Notes:

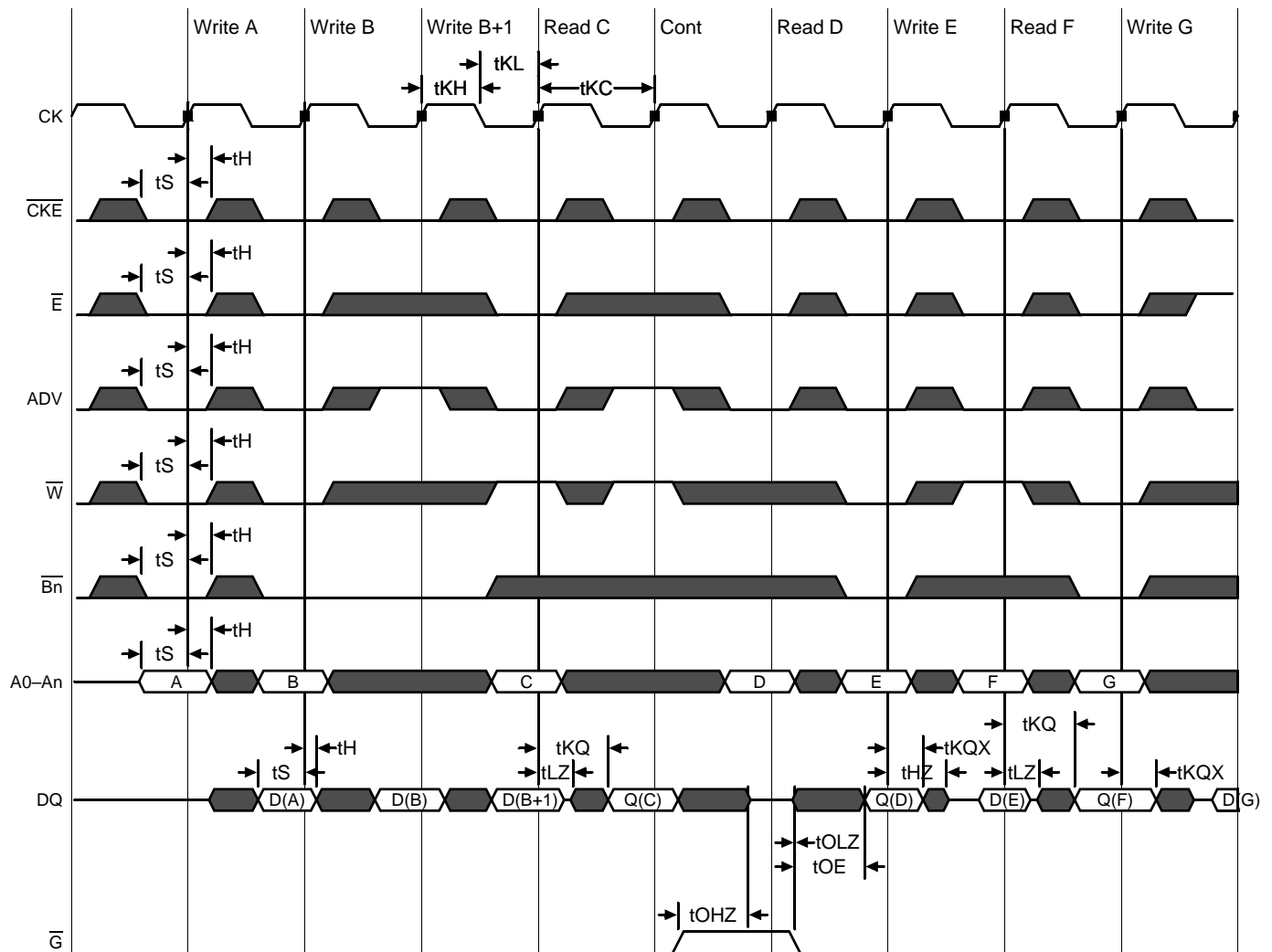
1. These parameters are sampled and are not 100% tested.
2. ZZ is an asynchronous signal. However, in order to be recognized on any given clock cycle, ZZ must meet the specified setup and hold times as specified above.

## Pipeline Mode Timing (NBT)





## Flow Through Mode Timing (NBT)



\*Note:  $\overline{E}$  = High(False) if  $\overline{E1} = 1$  or  $\overline{E2} = 0$  or  $\overline{E3} = 1$

## JTAG Port Operation

### Overview

The JTAG Port on this RAM operates in a manner that is compliant with IEEE Standard 1149.1-1990, a serial boundary scan interface standard (commonly referred to as JTAG). The JTAG Port input interface levels scale with  $V_{DD}$ . The JTAG output drivers are powered by  $V_{DDQ}$ .

### Disabling the JTAG Port

It is possible to use this device without utilizing the JTAG port. The port is reset at power-up and will remain inactive unless clocked. TCK, TDI, and TMS are designed with internal pull-up circuits. To assure normal operation of the RAM with the JTAG Port unused, TCK, TDI, and TMS may be left floating or tied to either  $V_{DD}$  or  $V_{SS}$ . TDO should be left unconnected.

## JTAG Pin Descriptions

| Pin | Pin Name         | I/O | Description  |
|-----|------------------|-----|--|
| TCK | Test Clock       | In  | Clocks all TAP events. All inputs are captured on the rising edge of TCK and all outputs propagate from the falling edge of TCK.   |
| TMS | Test Mode Select | In  | The TMS input is sampled on the rising edge of TCK. This is the command input for the TAP controller state machine. An undriven TMS input will produce the same result as a logic one input level.   |
| TDI | Test Data In     | In  | The TDI input is sampled on the rising edge of TCK. This is the input side of the serial registers placed between TDI and TDO. The register placed between TDI and TDO is determined by the state of the TAP Controller state machine and the instruction that is currently loaded in the TAP Instruction Register (refer to the TAP Controller State Diagram). An undriven TDI pin will produce the same result as a logic one input level. |
| TDO | Test Data Out    | Out | Output that is active depending on the state of the TAP state machine. Output changes in response to the falling edge of TCK. This is the output side of the serial registers placed between TDI and TDO.  |

### Note:

This device does not have a TRST (TAP Reset) pin. TRST is optional in IEEE 1149.1. The Test-Logic-Reset state is entered while TMS is held high for five rising edges of TCK. The TAP Controller is also reset automatically at power-up.

## JTAG Port Registers

### Overview

The various JTAG registers, referred to as Test Access Port or TAP Registers, are selected (one at a time) via the sequences of 1s and 0s applied to TMS as TCK is strobed. Each of the TAP Registers is a serial shift register that captures serial input data on the rising edge of TCK and pushes serial data out on the next falling edge of TCK. When a register is selected, it is placed between the TDI and TDO pins.

### Instruction Register

The Instruction Register holds the instructions that are executed by the TAP controller when it is moved into the Run, Test/Idle, or the various data register states. Instructions are 3 bits long. The Instruction Register can be loaded when it is placed between the TDI and TDO pins. The Instruction Register is automatically preloaded with the IDCODE instruction at power-up or whenever the controller is placed in Test-Logic-Reset state.

### Bypass Register

The Bypass Register is a single bit register that can be placed between TDI and TDO. It allows serial test data to be passed through the RAM's JTAG Port to another device in the scan chain with as little delay as possible.

### Boundary Scan Register

The Boundary Scan Register is a collection of flip flops that can be preset by the logic level found on the RAM's input or I/O pins. The flip flops are then daisy chained together so the levels found can be shifted serially out of the JTAG Port's TDO pin. The Boundary Scan Register also includes a number of place holder flip flops (always set to a logic 1). The relationship between the device pins and the bits in the Boundary Scan Register is described in the Scan Order Table following. The Boundary Scan Register, under the control of the TAP Controller, is loaded with the contents of the RAMs I/O ring when the controller is in Capture-DR state and then is placed between the TDI and TDO pins when the controller is moved to Shift-DR state. SAMPLE-Z, SAMPLE/PRELOAD and EXTEST instructions can be used to activate the Boundary Scan Register.

### JTAG TAP Block Diagram



\* For the value of M, see the BSDL file, which is available at by contacting us at [apps@gsitechnology.com](mailto:apps@gsitechnology.com).

#### Identification (ID) Register

The ID Register is a 32-bit register that is loaded with a device and vendor specific 32-bit code when the controller is put in Capture-DR state with the IDCODE command loaded in the Instruction Register. The code is loaded from a 32-bit on-chip ROM. It describes various attributes of the RAM as indicated below. The register is then placed between the TDI and TDO pins when the controller is moved into Shift-DR state. Bit 0 in the register is the LSB and the first to reach TDO when shifting begins.

#### ID Register Contents

| Not Used |    |    |    |    |    |    |    |    |    |    |    |    |    |    |    | GSI Technology<br>JEDEC Vendor<br>ID Code |    |    |    |    |    |    |   |   |   | Presence Register |   |   |   |   |   |   |
|----------|----|----|----|----|----|----|----|----|----|----|----|----|----|----|----|---|----|----|----|----|----|----|---|---|---|-------------------|---|---|---|---|---|---|
| Bit #    | 31 | 30 | 29 | 28 | 27 | 26 | 25 | 24 | 23 | 22 | 21 | 20 | 19 | 18 | 17 | 16  | 15 | 14 | 13 | 12 | 11 | 10 | 9 | 8 | 7 | 6                 | 5 | 4 | 3 | 2 | 1 | 0 |
|          | X  | X  | X  | X  | X  | X  | X  | X  | X  | X  | X  | X  | X  | X  | X  | X   | X  | X  | X  | X  | 0  | 0  | 0 | 1 | 1 | 0                 | 1 | 1 | 0 | 0 | 1 | 1 |

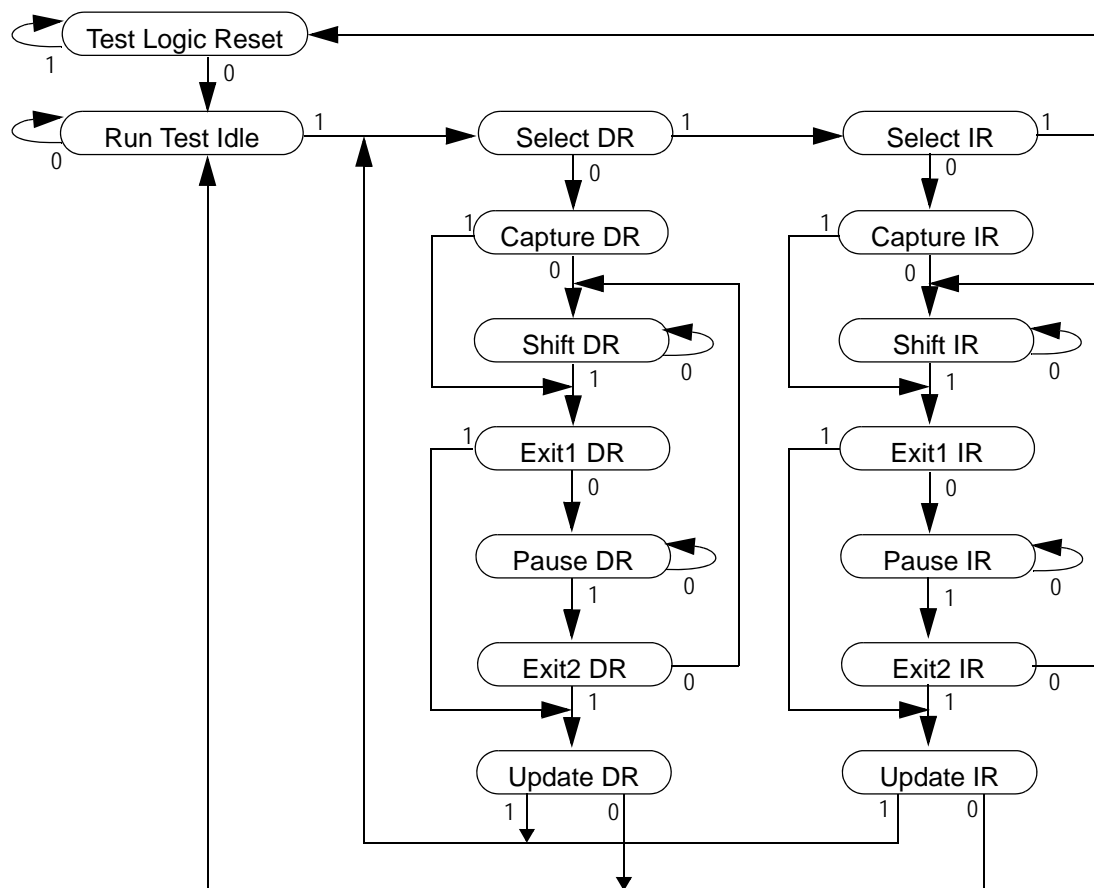
## Tap Controller Instruction Set

### Overview

There are two classes of instructions defined in the Standard 1149.1-1990; the standard (Public) instructions, and device specific (Private) instructions. Some Public instructions are mandatory for 1149.1 compliance. Optional Public instructions must be implemented in prescribed ways. The TAP on this device may be used to monitor all input and I/O pads, and can be used to load address, data or control signals into the RAM or to preload the I/O buffers.

When the TAP controller is placed in Capture-IR state the two least significant bits of the instruction register are loaded with 01. When the controller is moved to the Shift-IR state the Instruction Register is placed between TDI and TDO. In this state the desired instruction is serially loaded through the TDI input (while the previous contents are shifted out at TDO). For all instructions, the TAP executes newly loaded instructions only when the controller is moved to Update-IR state. The TAP instruction set for this device is listed in the following table.

### JTAG Tap Controller State Diagram



### Instruction Descriptions

#### BYPASS

When the BYPASS instruction is loaded in the Instruction Register the Bypass Register is placed between TDI and TDO. This occurs when the TAP controller is moved to the Shift-DR state. This allows the board level scan path to be shortened to facilitate testing of other devices in the scan path.

#### SAMPLE/PRELOAD

SAMPLE/PRELOAD is a Standard 1149.1 mandatory public instruction. When the SAMPLE / PRELOAD instruction is

loaded in the Instruction Register, moving the TAP controller into the Capture-DR state loads the data in the RAMs input and I/O buffers into the Boundary Scan Register. Boundary Scan Register locations are not associated with an input or I/O pin, and are loaded with the default state identified in the Boundary Scan Chain table at the end of this section of the datasheet. Because the RAM clock is independent from the TAP Clock (TCK) it is possible for the TAP to attempt to capture the I/O ring contents while the input buffers are in transition (i.e. in a metastable state). Although allowing the TAP to sample metastable inputs will not harm the device, repeatable results cannot be expected. RAM input signals must be stabilized for long enough to meet the TAPs input data capture set-up plus hold time ( $t_{TS}$  plus  $t_{TH}$ ). The RAMs clock inputs need not be paused for any other TAP operation except capturing the I/O ring contents into the Boundary Scan Register. Moving the controller to Shift-DR state then places the boundary scan register between the TDI and TDO pins.

#### EXTEST

EXTEST is an IEEE 1149.1 mandatory public instruction. It is to be executed whenever the instruction register is loaded with all logic 0s. The EXTEST command does not block or override the RAM's input pins; therefore, the RAM's internal state is still determined by its input pins.

Typically, the Boundary Scan Register is loaded with the desired pattern of data with the SAMPLE/PRELOAD command. Then the EXTEST command is used to output the Boundary Scan Register's contents, in parallel, on the RAM's data output drivers on the falling edge of TCK when the controller is in the Update-IR state.

Alternately, the Boundary Scan Register may be loaded in parallel using the EXTEST command. When the EXTEST instruction is selected, the state of all the RAM's input and I/O pins, as well as the default values at Scan Register locations not associated with a pin, are transferred in parallel into the Boundary Scan Register on the rising edge of TCK in the Capture-DR state, the RAM's output pins drive out the value of the Boundary Scan Register location with which each output pin is associated.

#### IDCODE

The IDCODE instruction causes the ID ROM to be loaded into the ID register when the controller is in Capture-DR mode and places the ID register between the TDI and TDO pins in Shift-DR mode. The IDCODE instruction is the default instruction loaded in at power up and any time the controller is placed in the Test-Logic-Reset state.

#### SAMPLE-Z

If the SAMPLE-Z instruction is loaded in the instruction register, all RAM outputs are forced to an inactive drive state (high-Z) and the Boundary Scan Register is connected between TDI and TDO when the TAP controller is moved to the Shift-DR state.

#### RFU

These instructions are Reserved for Future Use. In this device they replicate the BYPASS instruction.

## JTAG TAP Instruction Set Summary

| Instruction        | Code | Description   | Notes |
|--------------------|------|---|-------|
| EXTEST             | 000  | Places the Boundary Scan Register between TDI and TDO.  | 1     |
| IDCODE             | 001  | Preloads ID Register and places it between TDI and TDO.   | 1, 2  |
| SAMPLE-Z           | 010  | Captures I/O ring contents. Places the Boundary Scan Register between TDI and TDO.<br>Forces all RAM output drivers to High-Z.      | 1     |
| RFU                | 011  | Do not use this instruction; Reserved for Future Use.<br>Replicates BYPASS instruction. Places Bypass Register between TDI and TDO. | 1     |
| SAMPLE/<br>PRELOAD | 100  | Captures I/O ring contents. Places the Boundary Scan Register between TDI and TDO.  | 1     |
| GSI                | 101  | GSI private instruction.  | 1     |
| RFU                | 110  | Do not use this instruction; Reserved for Future Use.<br>Replicates BYPASS instruction. Places Bypass Register between TDI and TDO. | 1     |
| BYPASS             | 111  | Places Bypass Register between TDI and TDO.   | 1     |

## Notes:

1. Instruction codes expressed in binary, MSB on left, LSB on right.
2. Default instruction automatically loaded at power-up and in test-logic-reset state.

**JTAG Port Recommended Operating Conditions and DC Characteristics (1.8/2.5 V Version)**

| Parameter                              | Symbol     | Min.                       | Max.            | Unit | Notes |
|--|------------|----------------------------|-----------------|------|-------|
| 1.8 V Test Port Input Low Voltage      | $V_{ILJ1}$ | -0.3                       | $0.3 * V_{DD1}$ | V    | 1     |
| 2.5 V Test Port Input Low Voltage      | $V_{ILJ2}$ | -0.3                       | $0.3 * V_{DD2}$ | V    | 1     |
| 1.8 V Test Port Input High Voltage     | $V_{IHJ1}$ | $0.6 * V_{DD1}$            | $V_{DD1} + 0.3$ | V    | 1     |
| 2.5 V Test Port Input High Voltage     | $V_{IHJ2}$ | $0.6 * V_{DD2}$            | $V_{DD2} + 0.3$ | V    | 1     |
| TMS, TCK and TDI Input Leakage Current | $I_{INHJ}$ | -300                       | 1               | uA   | 2     |
| TMS, TCK and TDI Input Leakage Current | $I_{INLJ}$ | -1                         | 100             | uA   | 3     |
| TDO Output Leakage Current             | $I_{OLJ}$  | -1                         | 1               | uA   | 4     |
| Test Port Output High Voltage          | $V_{OHJ}$  | 1.7                        | —               | V    | 5, 6  |
| Test Port Output Low Voltage           | $V_{OLJ}$  | —                          | 0.4             | V    | 5, 7  |
| Test Port Output CMOS High             | $V_{OHJC}$ | $V_{DDQ} - 100 \text{ mV}$ | —               | V    | 5, 8  |
| Test Port Output CMOS Low              | $V_{OLJC}$ | —                          | 100 mV          | V    | 5, 9  |

**Notes:**

- Input Under/overshoot voltage must be  $-2 \text{ V} < V_i < V_{DDn} + 2 \text{ V}$  not to exceed 4.6 V maximum, with a pulse width not to exceed 20% tTKC.
- $V_{ILJ} \leq V_{IN} \leq V_{DDn}$
- $0 \text{ V} \leq V_{IN} \leq V_{ILJn}$
- Output Disable,  $V_{OUT} = 0 \text{ to } V_{DDn}$
- The TDO output driver is served by the  $V_{DDQ}$  supply.
- $I_{OHJ} = -4 \text{ mA}$
- $I_{OLJ} = +4 \text{ mA}$
- $I_{OHJC} = -100 \text{ uA}$
- $I_{OLJC} = +100 \text{ uA}$

**JTAG Port AC Test Conditions**

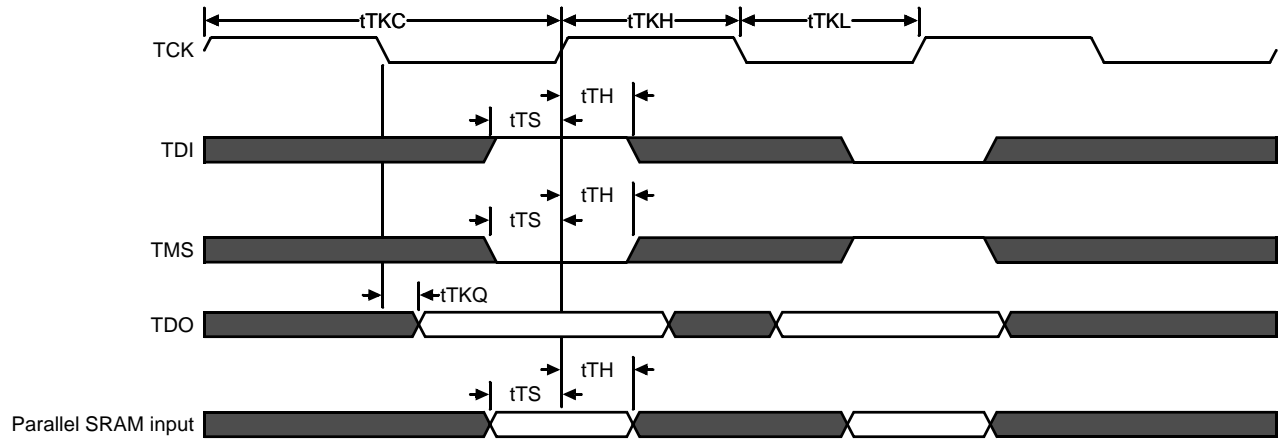
| Parameter              | Conditions               |
|------------------------|--------------------------|
| Input high level       | $V_{DD} - 0.2 \text{ V}$ |
| Input low level        | 0.2 V                    |
| Input slew rate        | 1 V/ns                   |
| Input reference level  | $V_{DDQ}/2$              |
| Output reference level | $V_{DDQ}/2$              |

**Notes:**

- Include scope and jig capacitance.
- Test conditions as shown unless otherwise noted.



### JTAG Port Timing Diagram



### JTAG Port AC Electrical Characteristics

| Parameter             | Symbol    | Min | Max | Unit |
|-----------------------|-----------|-----|-----|------|
| TCK Cycle Time        | $t_{TKC}$ | 50  | —   | ns   |
| TCK Low to TDO Valid  | $t_{TKQ}$ | —   | 20  | ns   |
| TCK High Pulse Width  | $t_{TKH}$ | 20  | —   | ns   |
| TCK Low Pulse Width   | $t_{TKL}$ | 20  | —   | ns   |
| TDI & TMS Set Up Time | $t_{TS}$  | 10  | —   | ns   |
| TDI & TMS Hold Time   | $t_{TH}$  | 10  | —   | ns   |

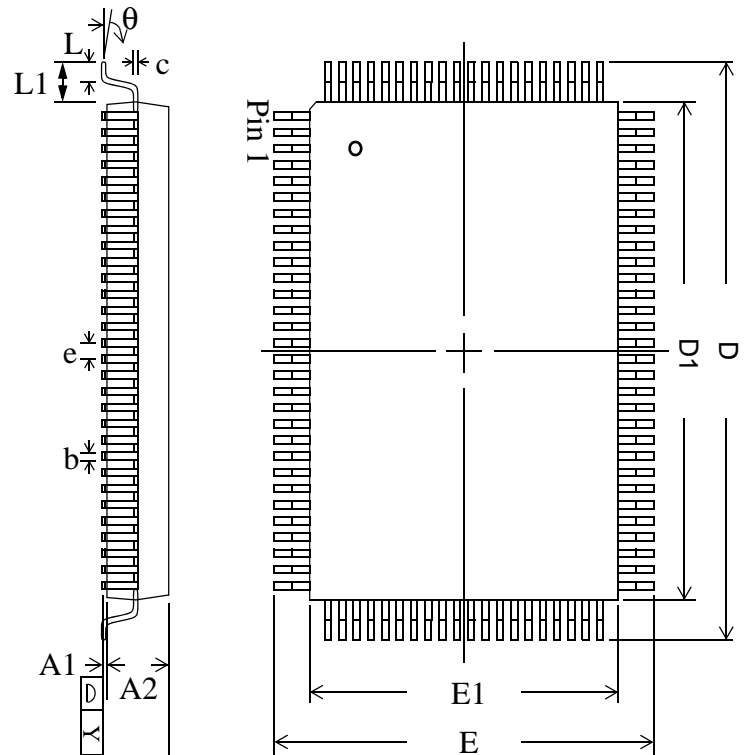
#### Boundary Scan (BSDL Files)

For information regarding the Boundary Scan Chain, or to obtain BSDL files for this part, please contact our Applications Engineering Department at: [apps@gsitechnology.com](mailto:apps@gsitechnology.com).



## TQFP Package Drawing (Package T)

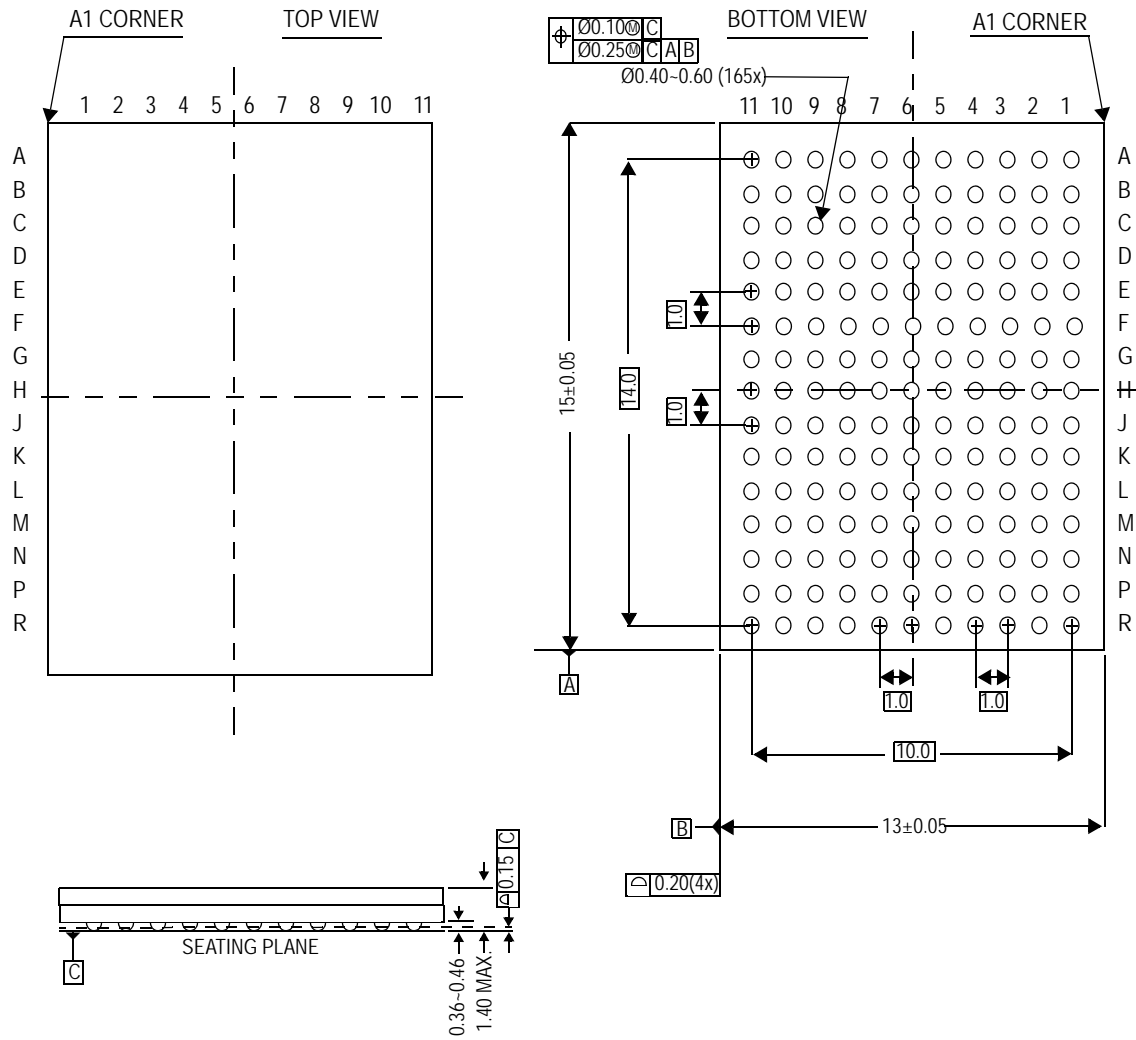
| Symbol   | Description        | Min. | Nom. | Max  |
|----------|--------------------|------|------|------|
| A1       | Standoff           | 0.05 | 0.10 | 0.15 |
| A2       | Body Thickness     | 1.35 | 1.40 | 1.45 |
| b        | Lead Width         | 0.20 | 0.30 | 0.40 |
| c        | Lead Thickness     | 0.09 | —    | 0.20 |
| D        | Terminal Dimension | 21.9 | 22.0 | 22.1 |
| D1       | Package Body       | 19.9 | 20.0 | 20.1 |
| E        | Terminal Dimension | 15.9 | 16.0 | 16.1 |
| E1       | Package Body       | 13.9 | 14.0 | 14.1 |
| e        | Lead Pitch         | —    | 0.65 | —    |
| L        | Foot Length        | 0.45 | 0.60 | 0.75 |
| L1       | Lead Length        | —    | 1.00 | —    |
| Y        | Coplanarity        |      |      | 0.10 |
| $\theta$ | Lead Angle         | 0°   | —    | 7°   |



## Notes:

1. All dimensions are in millimeters (mm).
2. Package width and length do not include mold protrusion.

Package Dimensions—165-Bump FPBGA (Package D)



**Ordering Information—GSI NBT Synchronous SRAM**

| Org       | Part Number <sup>1</sup> | Type | Voltage Option | Package             | Speed <sup>2</sup><br>(MHz/ns) | T <sub>A</sub> <sup>3</sup> |
|-----------|--------------------------|------|----------------|---------------------|--------------------------------|-----------------------------|
| 512K x 18 | GS881Z18CT-250V          | NBT  | 1.8 V or 2.5 V | TQFP                | 250/5.5                        | C                           |
| 512K x 18 | GS881Z18CT-200V          | NBT  | 1.8 V or 2.5 V | TQFP                | 200/6.5                        | C                           |
| 512K x 18 | GS881Z18CT-150V          | NBT  | 1.8 V or 2.5 V | TQFP                | 150/7.5                        | C                           |
| 256K x 32 | GS881Z32CT-250V          | NBT  | 1.8 V or 2.5 V | TQFP                | 250/5.5                        | C                           |
| 256K x 32 | GS881Z32CT-200V          | NBT  | 1.8 V or 2.5 V | TQFP                | 200/6.5                        | C                           |
| 256K x 32 | GS881Z32CT-150V          | NBT  | 1.8 V or 2.5 V | TQFP                | 150/7.5                        | C                           |
| 256K x 36 | GS881Z36CT-250V          | NBT  | 1.8 V or 2.5 V | TQFP                | 250/5.5                        | C                           |
| 256K x 36 | GS881Z36CT-200V          | NBT  | 1.8 V or 2.5 V | TQFP                | 200/6.5                        | C                           |
| 256K x 36 | GS881Z36CT-150V          | NBT  | 1.8 V or 2.5 V | TQFP                | 150/7.5                        | C                           |
| 512K x 18 | GS881Z18CGT-250V         | NBT  | 1.8 V or 2.5 V | RoHS-compliant TQFP | 250/5.5                        | C                           |
| 512K x 18 | GS881Z18CGT-200V         | NBT  | 1.8 V or 2.5 V | RoHS-compliant TQFP | 200/6.5                        | C                           |
| 512K x 18 | GS881Z18CGT-150V         | NBT  | 1.8 V or 2.5 V | RoHS-compliant TQFP | 150/7.5                        | C                           |
| 256K x 32 | GS881Z32CGT-250V         | NBT  | 1.8 V or 2.5 V | RoHS-compliant TQFP | 250/5.5                        | C                           |
| 256K x 32 | GS881Z32CGT-200V         | NBT  | 1.8 V or 2.5 V | RoHS-compliant TQFP | 200/6.5                        | C                           |
| 256K x 32 | GS881Z32CGT-150V         | NBT  | 1.8 V or 2.5 V | RoHS-compliant TQFP | 150/7.5                        | C                           |
| 256K x 36 | GS881Z36CGT-250V         | NBT  | 1.8 V or 2.5 V | RoHS-compliant TQFP | 250/5.5                        | C                           |
| 256K x 36 | GS881Z36CGT-200V         | NBT  | 1.8 V or 2.5 V | RoHS-compliant TQFP | 200/6.5                        | C                           |
| 256K x 36 | GS881Z36CGT-150V         | NBT  | 1.8 V or 2.5 V | RoHS-compliant TQFP | 150/7.5                        | C                           |
| 512K x 18 | GS881Z18CD-250V          | NBT  | 1.8 V or 2.5 V | 165 BGA             | 250/5.5                        | C                           |
| 512K x 18 | GS881Z18CD-200V          | NBT  | 1.8 V or 2.5 V | 165 BGA             | 200/6.5                        | C                           |
| 512K x 18 | GS881Z18CD-150V          | NBT  | 1.8 V or 2.5 V | 165 BGA             | 150/7.5                        | C                           |
| 256K x 32 | GS881Z32CD-250V          | NBT  | 1.8 V or 2.5 V | 165 BGA             | 250/5.5                        | C                           |
| 256K x 32 | GS881Z32CD-200V          | NBT  | 1.8 V or 2.5 V | 165 BGA             | 200/6.5                        | C                           |
| 256K x 32 | GS881Z32CD-150V          | NBT  | 1.8 V or 2.5 V | 165 BGA             | 150/7.5                        | C                           |
| 256K x 36 | GS881Z36CD-250V          | NBT  | 1.8 V or 2.5 V | 165 BGA             | 250/5.5                        | C                           |
| 256K x 36 | GS881Z36CD-200V          | NBT  | 1.8 V or 2.5 V | 165 BGA             | 200/6.5                        | C                           |
| 256K x 36 | GS881Z36CD-150V          | NBT  | 1.8 V or 2.5 V | 165 BGA             | 150/7.5                        | C                           |

**Notes:**

- Customers requiring delivery in Tape and Reel should add the character "T" to the end of the part number. Example: GS881Z36CT-150VT.
- The speed column indicates the cycle frequency (MHz) of the device in Pipeline mode and the latency (ns) in Flow Through mode. Each device is Pipeline/Flow through mode-selectable by the user.
- T<sub>A</sub> = C = Commercial Temperature Range.
- GSI offers other versions this type of device in many different configurations and with a variety of different features, only some of which are covered in this data sheet. See the GSI Technology web site ([www.gsitechnology.com](http://www.gsitechnology.com)) for a complete listing of current offerings

**Ordering Information—GSI NBT Synchronous SRAM**

| Org       | Part Number <sup>1</sup> | Type | Voltage Option | Package                | Speed <sup>2</sup><br>(MHz/ns) | T <sub>A</sub> <sup>3</sup> |
|-----------|--------------------------|------|----------------|------------------------|--------------------------------|-----------------------------|
| 512K x 18 | GS881Z18CD-250IV         | NBT  | 1.8 V or 2.5 V | 165 BGA                | 250/5.5                        | I                           |
| 512K x 18 | GS881Z18CGD-250V         | NBT  | 1.8 V or 2.5 V | RoHS-compliant 165 BGA | 250/5.5                        | C                           |
| 512K x 18 | GS881Z18CGD-200V         | NBT  | 1.8 V or 2.5 V | RoHS-compliant 165 BGA | 200/6.5                        | C                           |
| 512K x 18 | GS881Z18CGD-150V         | NBT  | 1.8 V or 2.5 V | RoHS-compliant 165 BGA | 150/7.5                        | C                           |
| 256K x 32 | GS881Z32CGD-250V         | NBT  | 1.8 V or 2.5 V | RoHS-compliant 165 BGA | 250/5.5                        | C                           |
| 256K x 32 | GS881Z32CGD-200V         | NBT  | 1.8 V or 2.5 V | RoHS-compliant 165 BGA | 200/6.5                        | C                           |
| 256K x 32 | GS881Z32CGD-150V         | NBT  | 1.8 V or 2.5 V | RoHS-compliant 165 BGA | 150/7.5                        | C                           |
| 256K x 36 | GS881Z36CGD-250V         | NBT  | 1.8 V or 2.5 V | RoHS-compliant 165 BGA | 250/5.5                        | C                           |
| 256K x 36 | GS881Z36CGD-200V         | NBT  | 1.8 V or 2.5 V | RoHS-compliant 165 BGA | 200/6.5                        | C                           |
| 256K x 36 | GS881Z36CGD-150V         | NBT  | 1.8 V or 2.5 V | RoHS-compliant 165 BGA | 150/7.5                        | C                           |

**Notes:**

- Customers requiring delivery in Tape and Reel should add the character "T" to the end of the part number. Example: GS881Z36CT-150VT.
- The speed column indicates the cycle frequency (MHz) of the device in Pipeline mode and the latency (ns) in Flow Through mode. Each device is Pipeline/Flow through mode-selectable by the user.
- T<sub>A</sub> = C = Commercial Temperature Range.
- GSI offers other versions this type of device in many different configurations and with a variety of different features, only some of which are covered in this data sheet. See the GSI Technology web site ([www.gsitechnology.com](http://www.gsitechnology.com)) for a complete listing of current offerings

## 9Mb Sync SRAM Datasheet Revision History

| File Name                           | Types of Changes<br>Format or Content | Revision  |
|-------------------------------------|---------------------------------------|---|
| 881ZxxB_V_r1                        |                                       | <ul style="list-style-type: none"> <li>• Creation of new datasheet</li> </ul>   |
| 881ZxxB_V_r1;<br>881ZxxB_V_r1_01    | Content                               | <ul style="list-style-type: none"> <li>• Removed parity references (pg. 1, 16, 17)</li> <li>• Added note to TQFP pinouts (pg. 2, 3, 4)</li> </ul>                 |
| 881ZxxB_V_r1_01;<br>881ZxxB_V_r1_02 | Content                               | <ul style="list-style-type: none"> <li>• Update to MP datasheet</li> </ul>  |
| 881ZVxxC_r1_03                      | Content                               | <ul style="list-style-type: none"> <li>• Updated Absolute Maximum Ratings</li> <li>• Deleted conditional text</li> </ul>  |
| 881ZVxxC_r1_04                      | Content                               | <ul style="list-style-type: none"> <li>• Updated Absolute Maximum Ratings</li> <li>• Added thermal information</li> <li>• Updated Ordering Information</li> </ul> |
| 881ZVxxC_r1_05_Com                  | Content                               | <ul style="list-style-type: none"> <li>• Updated Absolute Maximum Ratings</li> <li>• Removed all Ind Temp references</li> </ul>                                   |

Компания «Океан Электроники» предлагает заключение долгосрочных отношений при поставках импортных электронных компонентов на взаимовыгодных условиях!

Наши преимущества:

- Поставка оригинальных импортных электронных компонентов напрямую с производств Америки, Европы и Азии, а так же с крупнейших складов мира;
- Широкая линейка поставок активных и пассивных импортных электронных компонентов (более 30 млн. наименований);
- Поставка сложных, дефицитных, либо снятых с производства позиций;
- Оперативные сроки поставки под заказ (от 5 рабочих дней);
- Экспресс доставка в любую точку России;
- Помощь Конструкторского Отдела и консультации квалифицированных инженеров;
- Техническая поддержка проекта, помощь в подборе аналогов, поставка прототипов;
- Поставка электронных компонентов под контролем ВП;
- Система менеджмента качества сертифицирована по Международному стандарту ISO 9001;
- При необходимости вся продукция военного и аэрокосмического назначения проходит испытания и сертификацию в лаборатории (по согласованию с заказчиком);
- Поставка специализированных компонентов военного и аэрокосмического уровня качества (Xilinx, Altera, Analog Devices, Intersil, Interpoint, Microsemi, Actel, Aeroflex, Peregrine, VPT, Syfer, Eurofarad, Texas Instruments, MS Kennedy, Miteq, Cobham, E2V, MA-COM, Hittite, Mini-Circuits, General Dynamics и др.);

Компания «Океан Электроники» является официальным дистрибьютором и эксклюзивным представителем в России одного из крупнейших производителей разъемов военного и аэрокосмического назначения «JONHON», а так же официальным дистрибьютором и эксклюзивным представителем в России производителя высокотехнологичных и надежных решений для передачи СВЧ сигналов «FORSTAR».



## JONHON

«JONHON» (основан в 1970 г.)

Разъемы специального, военного и аэрокосмического назначения:

(Применяются в военной, авиационной, аэрокосмической, морской, железнодорожной, горно- и нефтедобывающей отраслях промышленности)

«FORSTAR» (основан в 1998 г.)

ВЧ соединители, коаксиальные кабели,  
кабельные сборки и микроволновые компоненты:

(Применяются в телекоммуникациях гражданского и специального назначения, в средствах связи, РЛС, а так же военной, авиационной и аэрокосмической отраслях промышленности).



Телефон: 8 (812) 309-75-97 (многоканальный)

Факс: 8 (812) 320-03-32

Электронная почта: [ocean@oceanchips.ru](mailto:ocean@oceanchips.ru)

Web: <http://oceanchips.ru/>

Адрес: 198099, г. Санкт-Петербург, ул. Калинина, д. 2, корп. 4, лит. А