

***PLC  
Cable and  
Wiring Guide***

**OMRON**<sup>®</sup>

# Table of Contents

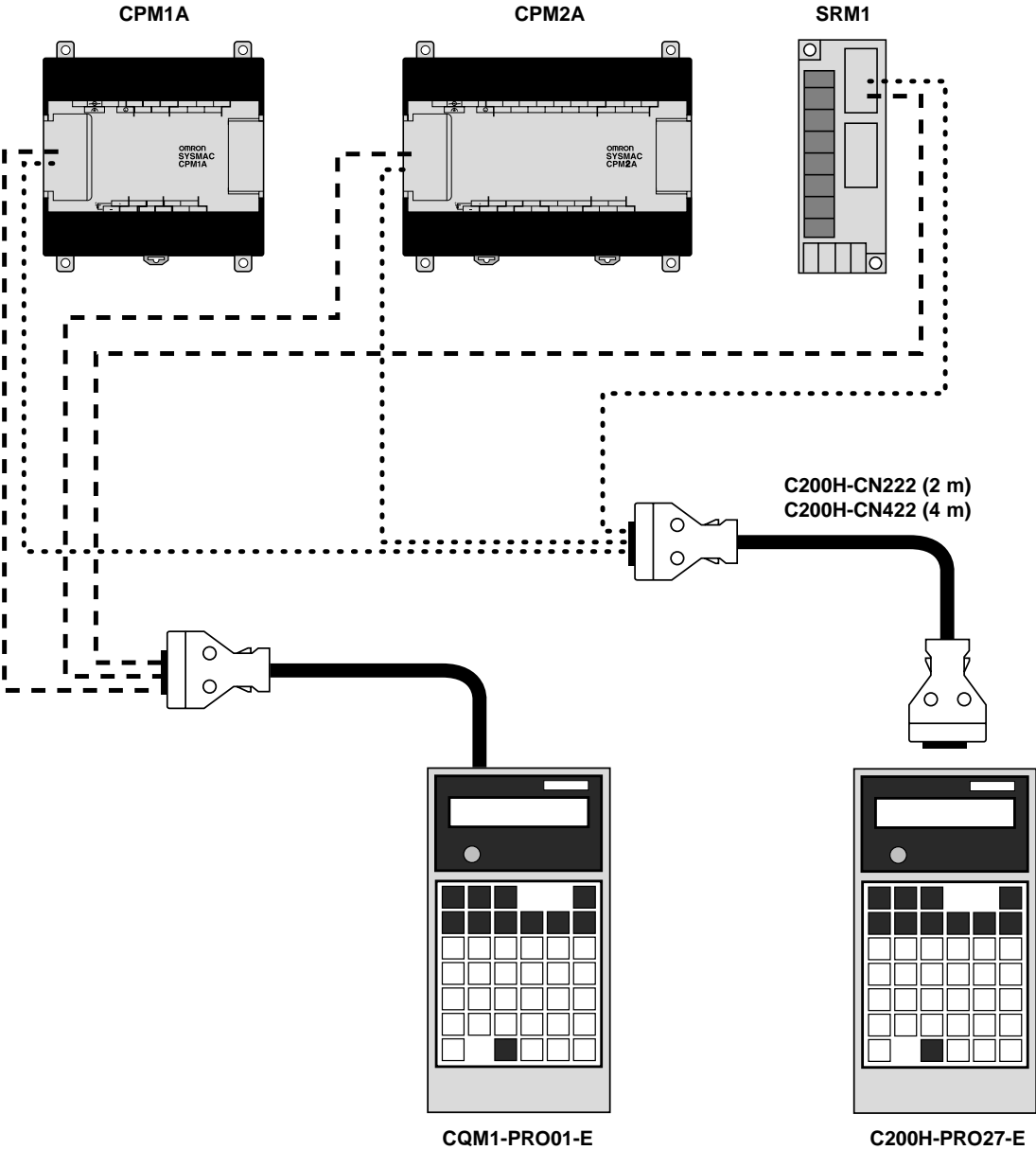
<u>Name</u>	<u>Page Number</u>
PLC Connections	1
Cable Solutions for Omron PLCs	11
Cable Solutions for Multi-Vendor PLCs	15

# Reference Information

## PLC Connections

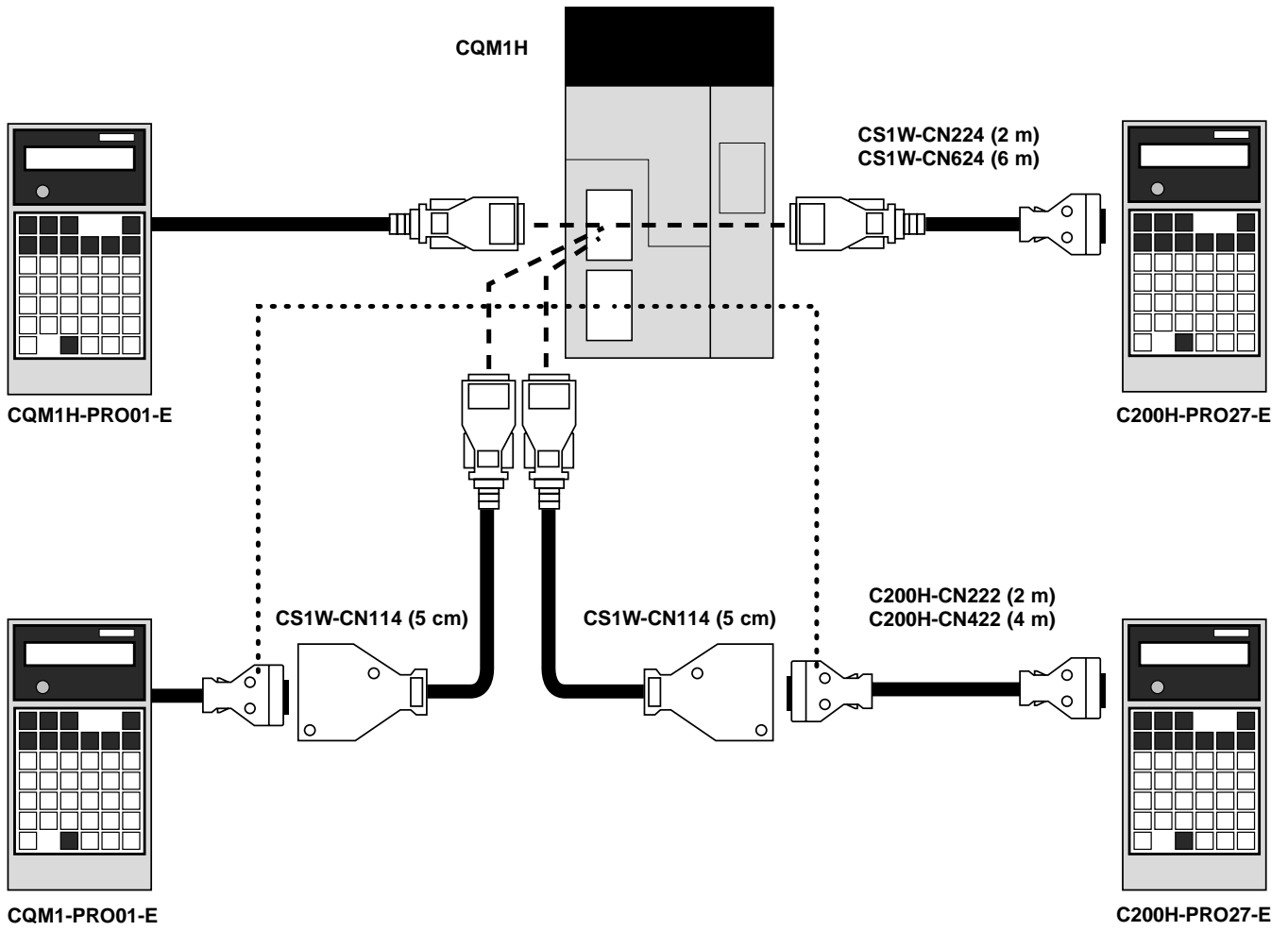
The following pages illustrate the cabling options for connecting Omron programmable controllers with computers, Omron's HMI's, hand-held programmers, high-density I/O modules and I/O terminal blocks.

### Hand-held Programmers and CPM1A, CPM2A, SRM1 Peripheral Port



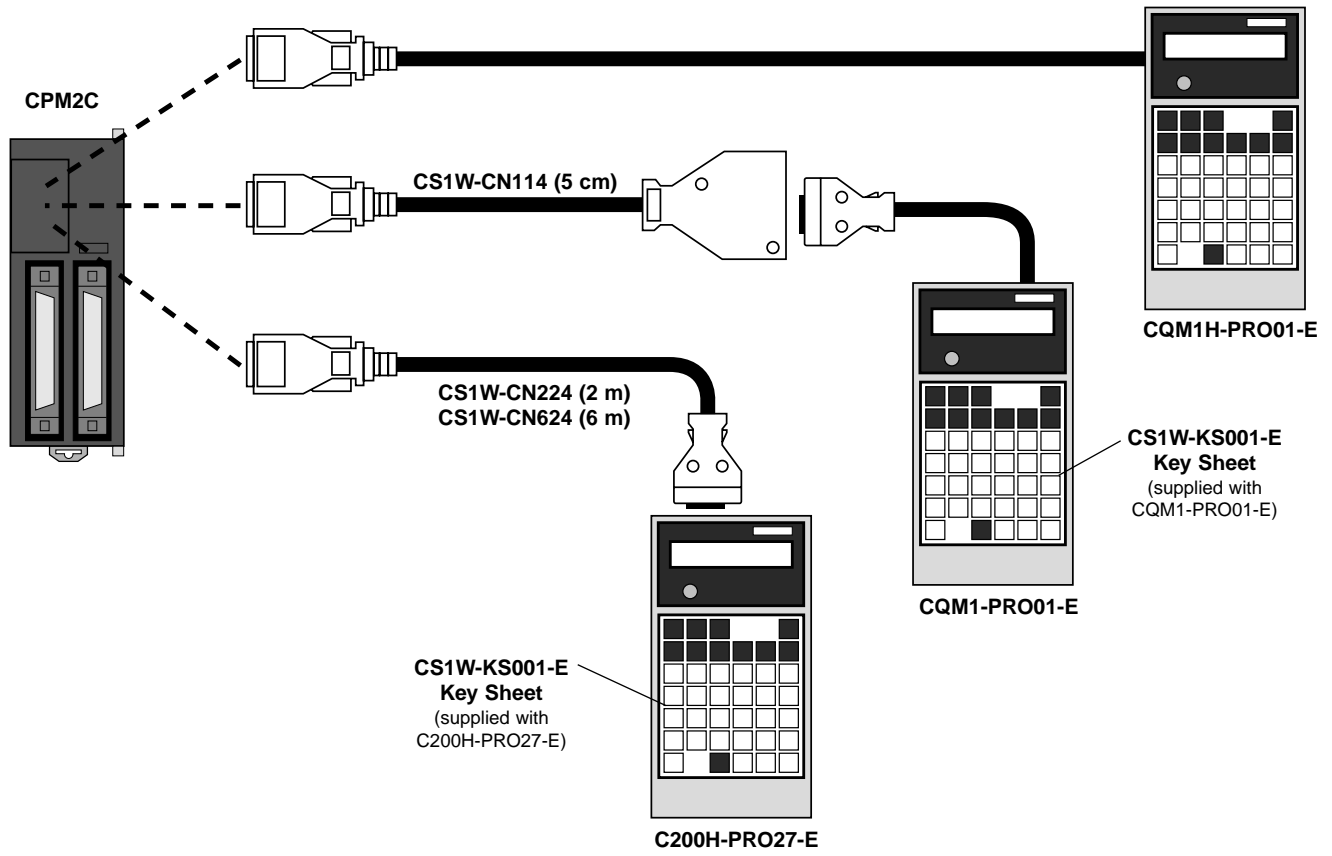
# Reference Information

## Hand-held Programm器和 CQM1H 外围端口



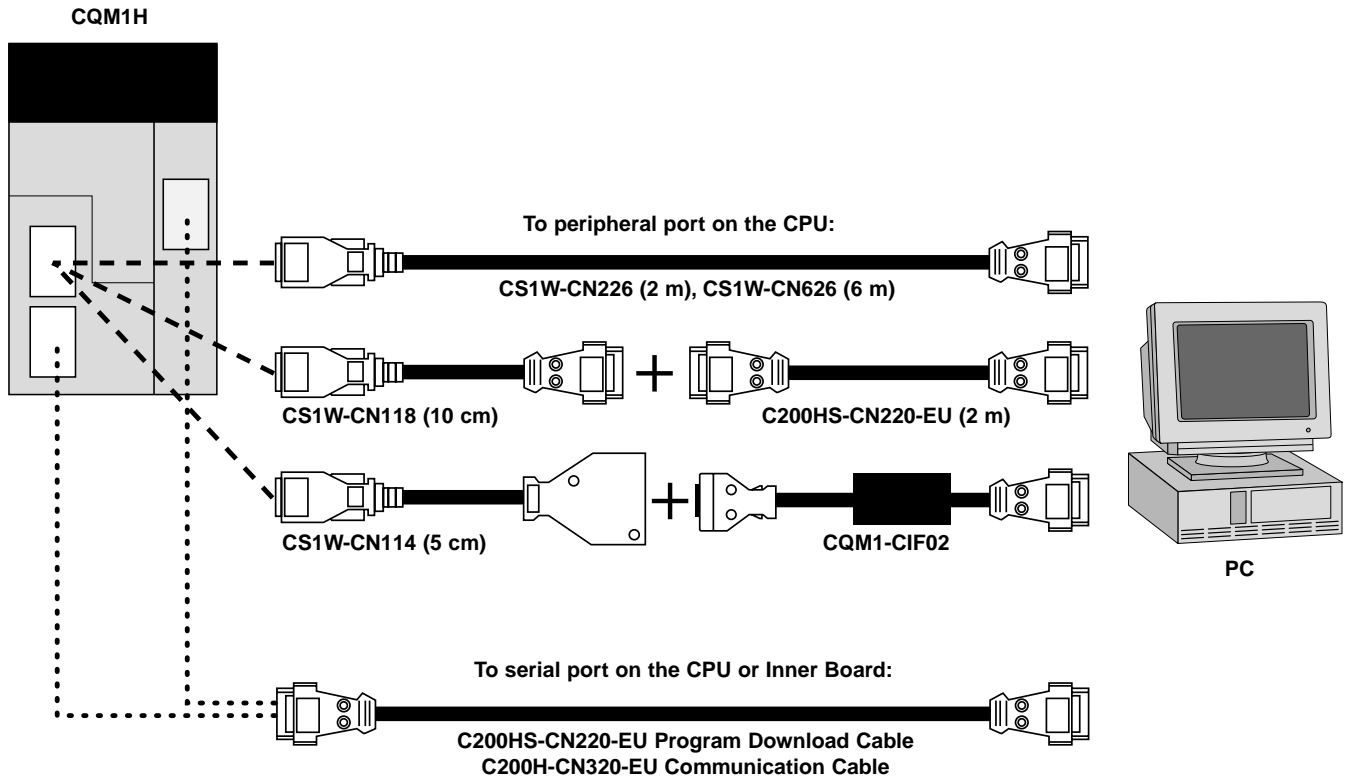
# Reference Information

## Hand-held Programmer and CPM2C Communication Port

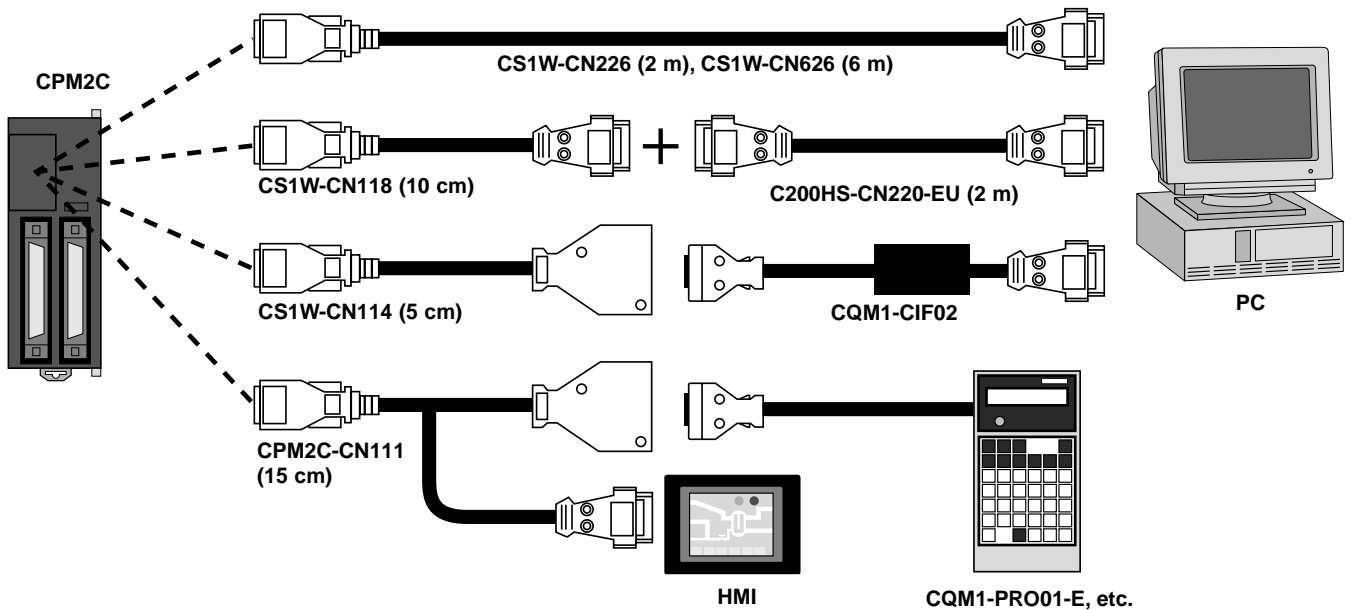


# Reference Information

## CQM1H and PC

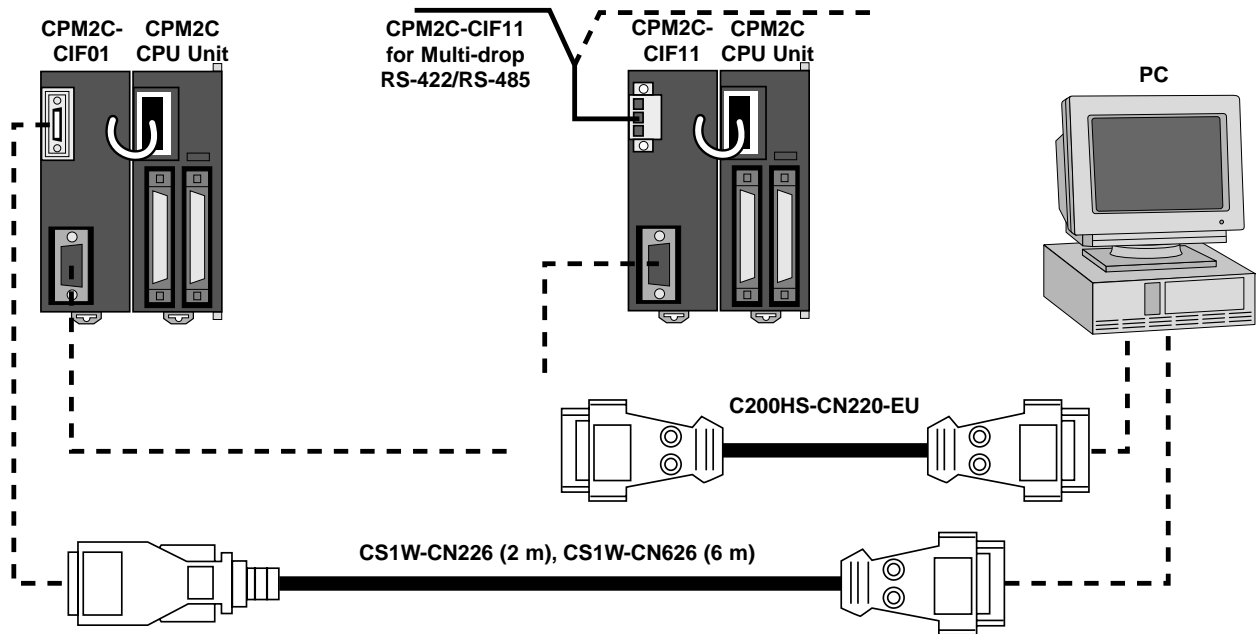


## CPM2C and PC



# Reference Information

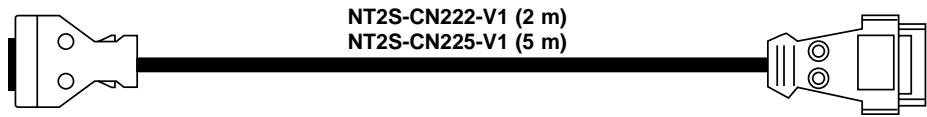
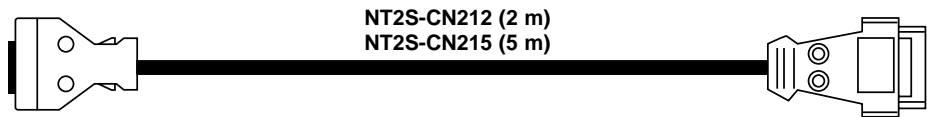
## CPM2C + Serial Communication Adapter and PC



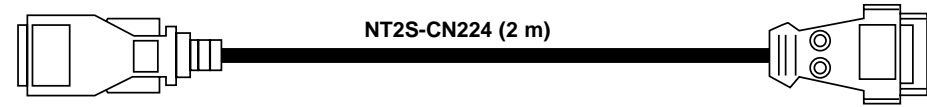
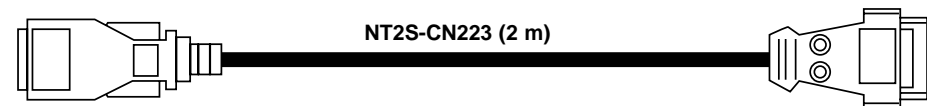
## NT2S Message Display and Programmable Controllers

Peripheral port (Old type: C200H, SRM1, CPM2A, CPM1A, CPM2B\*)

\*Note: CPM2B must use CS1W-CN114 adapter.

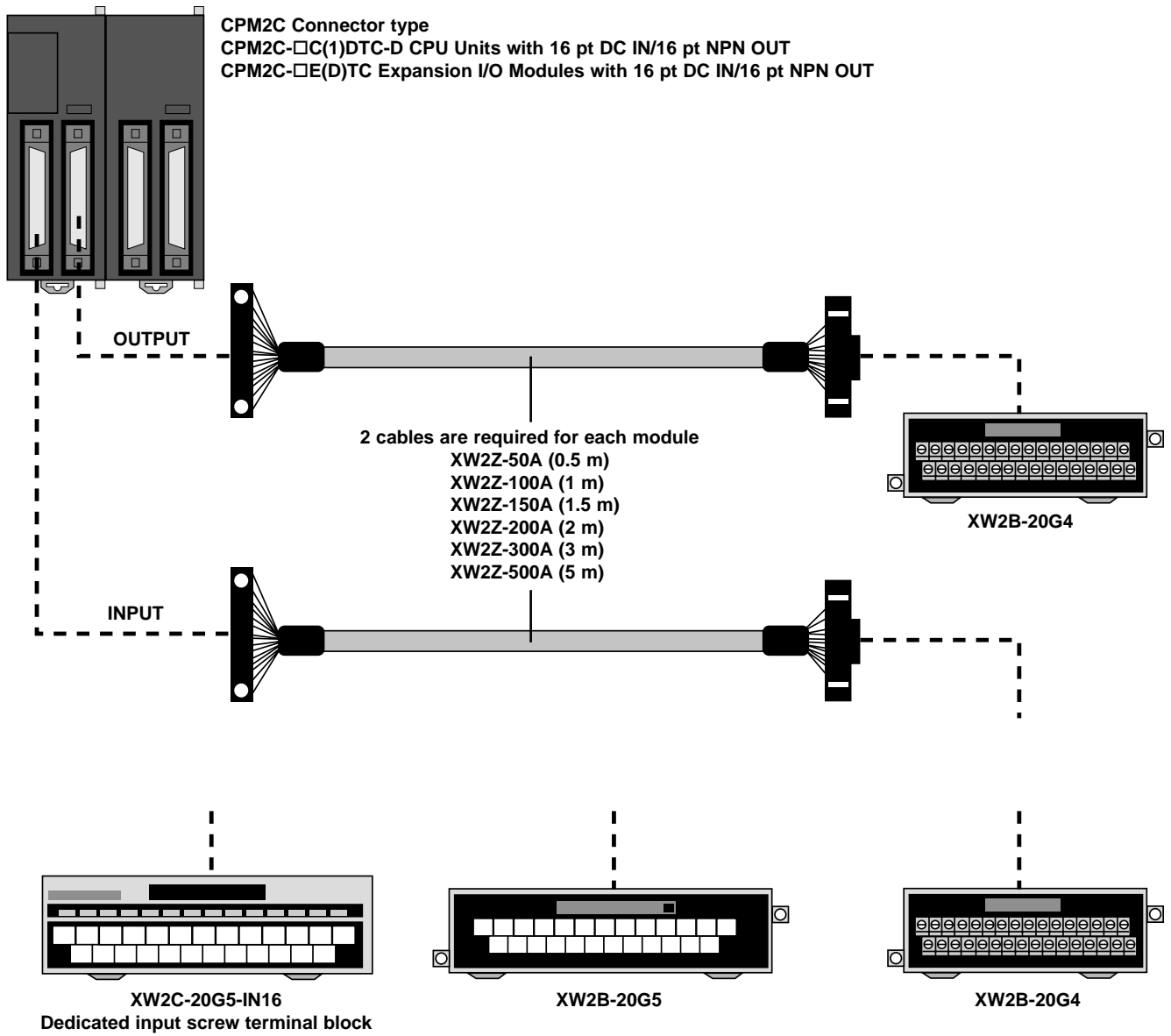


Peripheral port (New type: CS1, CQM1H, CPM2C)



# Reference Information

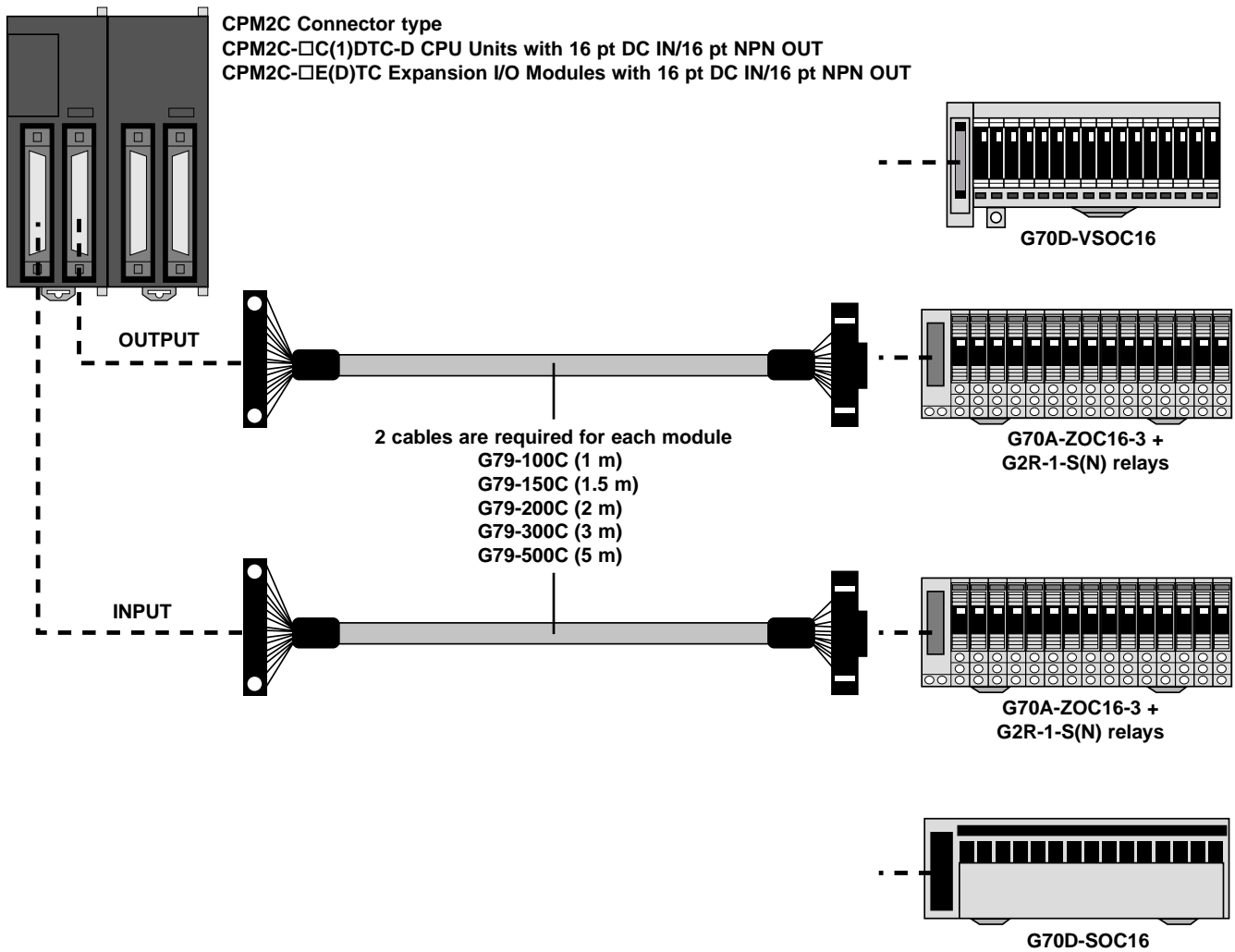
## CPM2C CPU and Expansion I/O + XW2B/XW2C 20-pin Screw Terminal Blocks



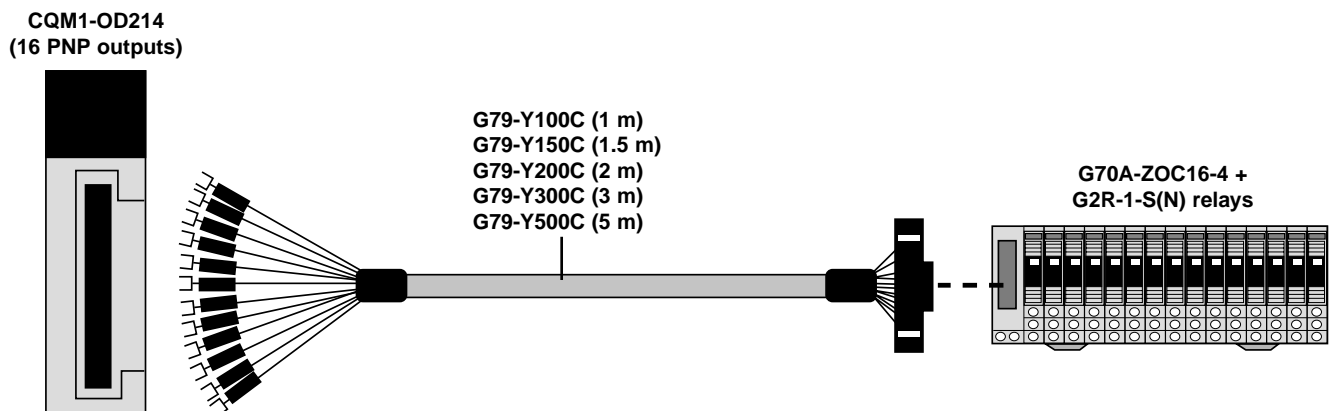


# Reference Information

## CPM2C CPU and Expansion I/O + G70A, G70D Relay I/O Blocks



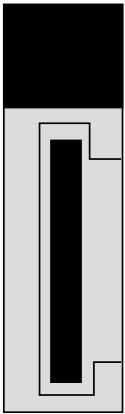
## CQM1H 16-point PNP Output Module + G70A Relay I/O Block



# Reference Information

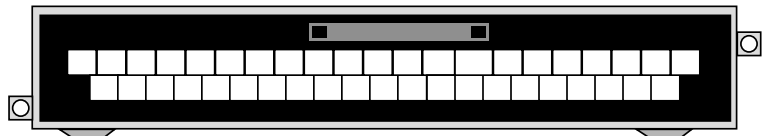
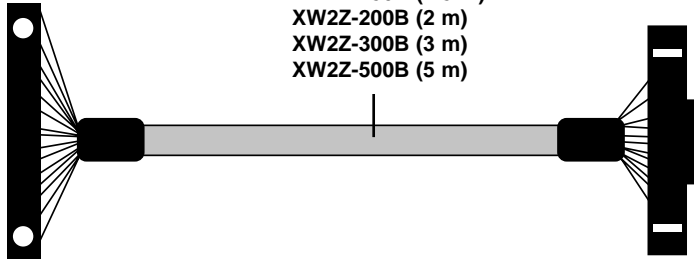
## CQM1H High-Density I/O Modules + XW2B Screw Terminal Blocks

CQM1H 32-Point I/O Modules

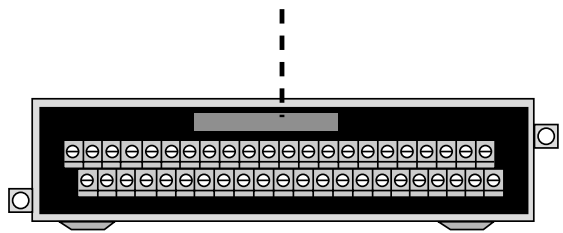


- CQM1-ID213 (32 NPN inputs)
- CQM1-ID214 (32 NPN inputs)
- CQM1-OD213 (32 NPN outputs)
- CQM1-OD216 (32 PNP outputs)

- XW2Z-50B (0.5 m)
- XW2Z-100B (1 m)
- XW2Z-150B (1.5 m)
- XW2Z-200B (2 m)
- XW2Z-300B (3 m)
- XW2Z-500B (5 m)



XW2B-40G5

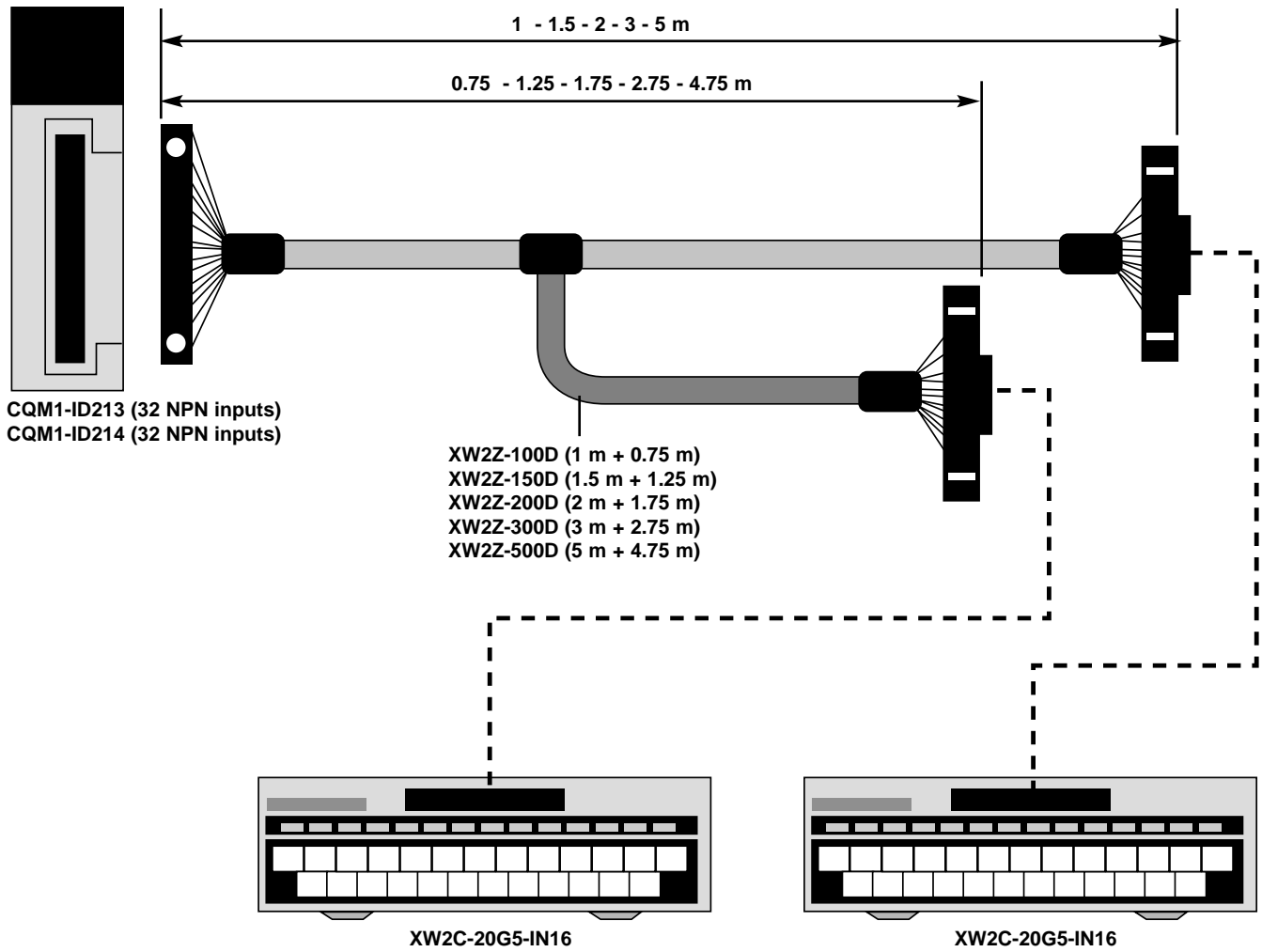


XW2B-40G4

# Reference Information

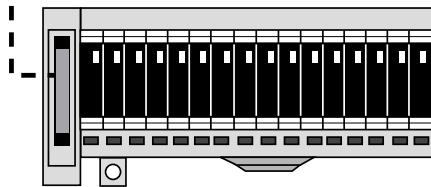
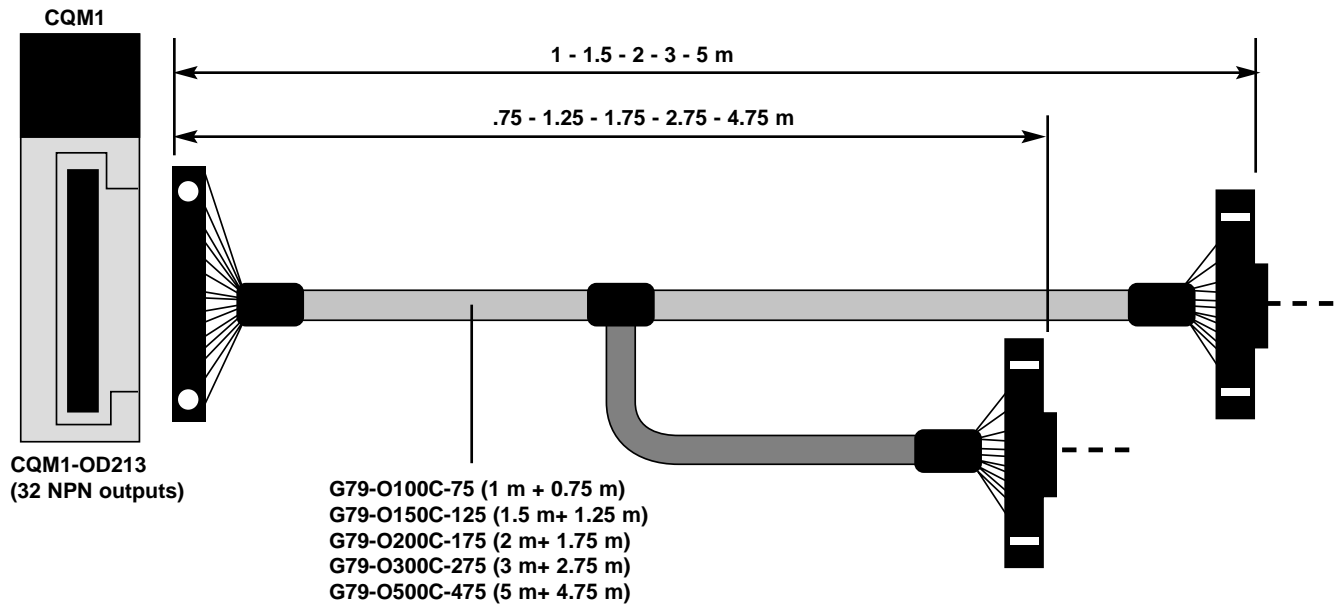
## CQM1H High-Density Input Modules + XW2C Input Screw Terminal Blocks

CQM1H 32-Point Input Modules

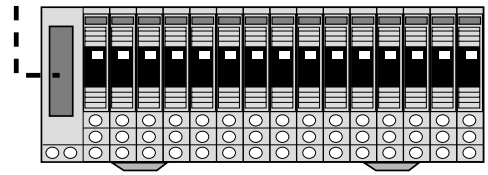


# Reference Information

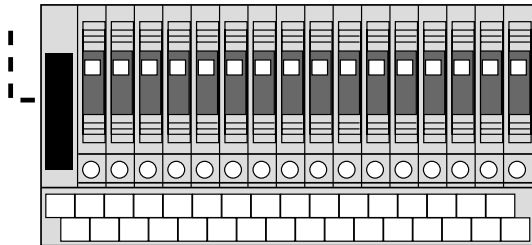
## CQM1H High-Density Output Modules + Output Relay Blocks



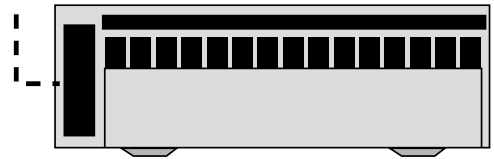
**G70D-VSOC16**



**G70A-ZOC16-3 +  
G2R-1-S(N) relays**



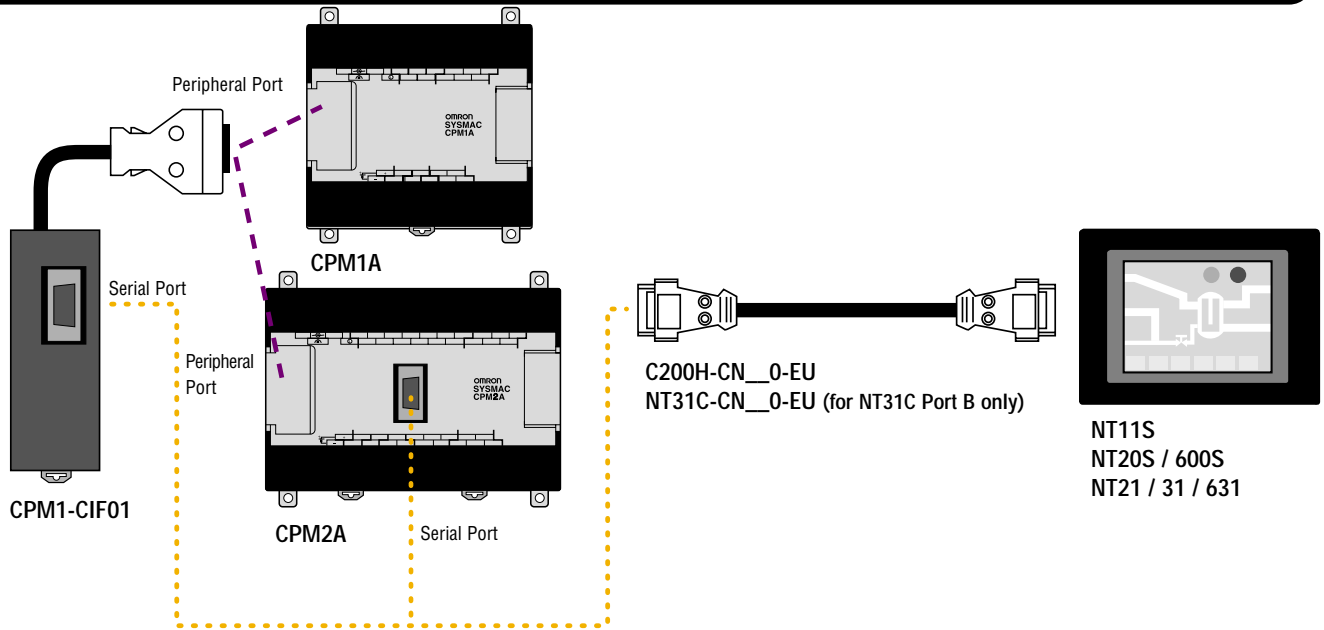
**G7TC-OC16 Relay Block or  
P7TF-OS16 Block Base with  
G7T-1112S Relays or  
G3TA-ODX02S SSRs**



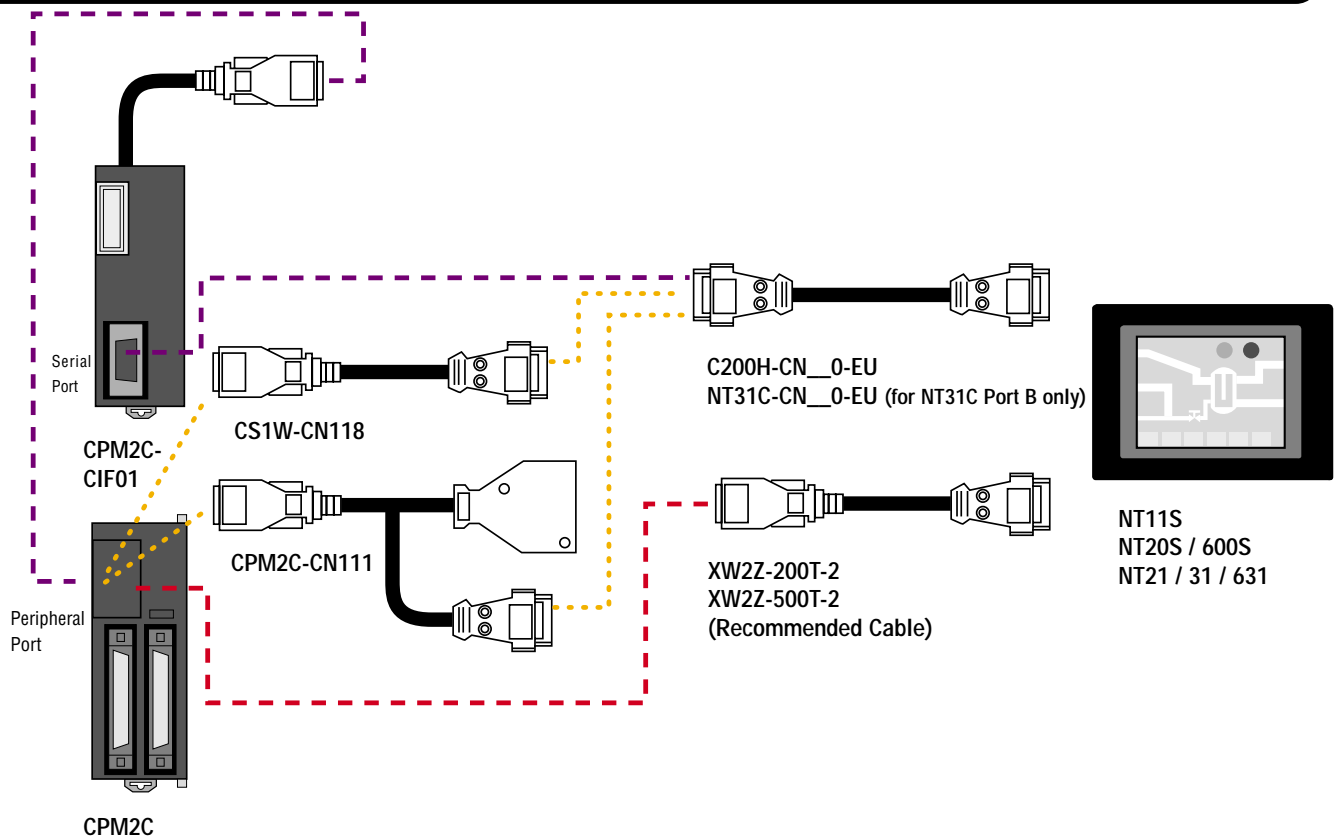
**G70D-SOC16**

# Cable Solutions for Omron PLCs

## Operator Interface Terminals and CPM1A/CPM2A

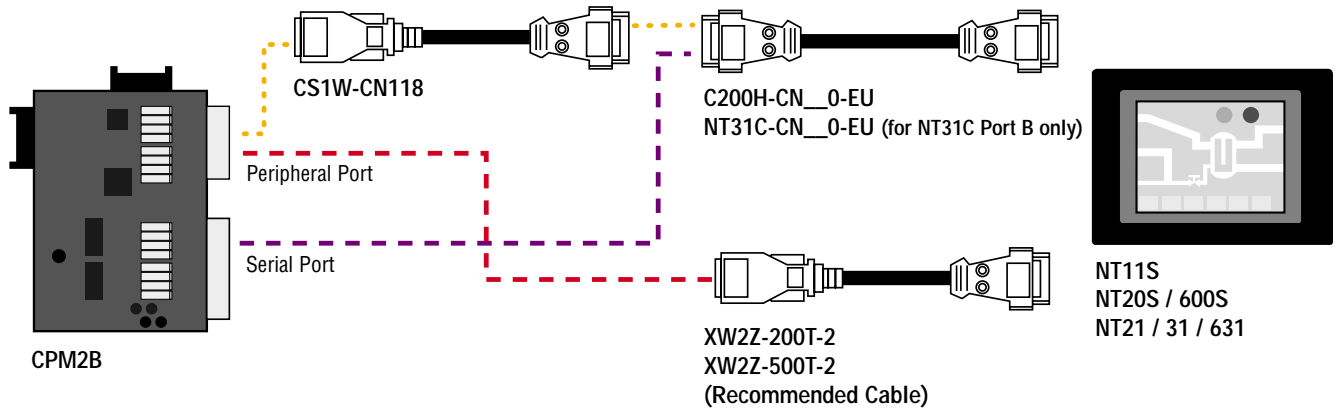


## Operator Interface Terminals and CPM2C PLC

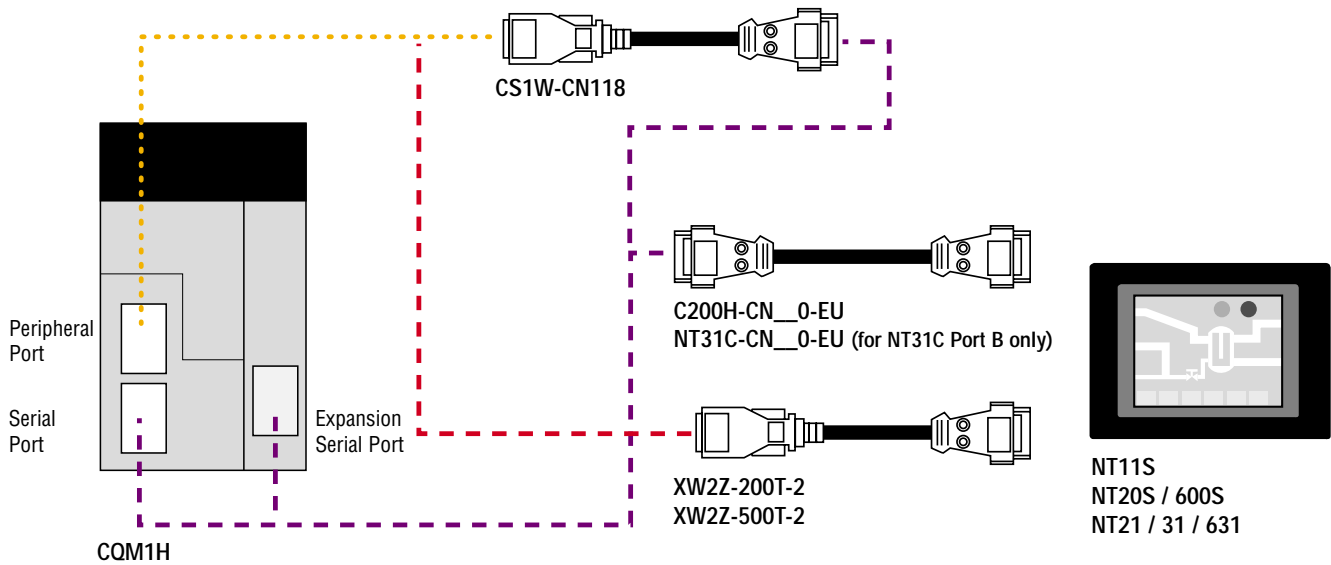


# Cable Solutions for Omron PLCs

## Operator Interface Terminals and CPM2B PLC

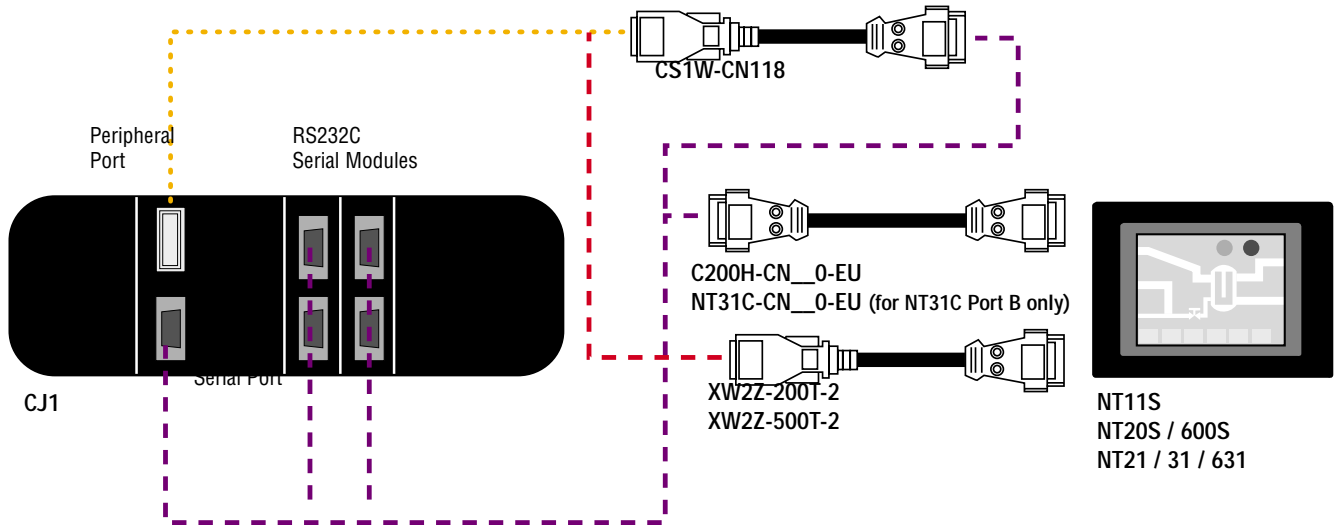


## Operator Interface Terminals and CQM1H PLC

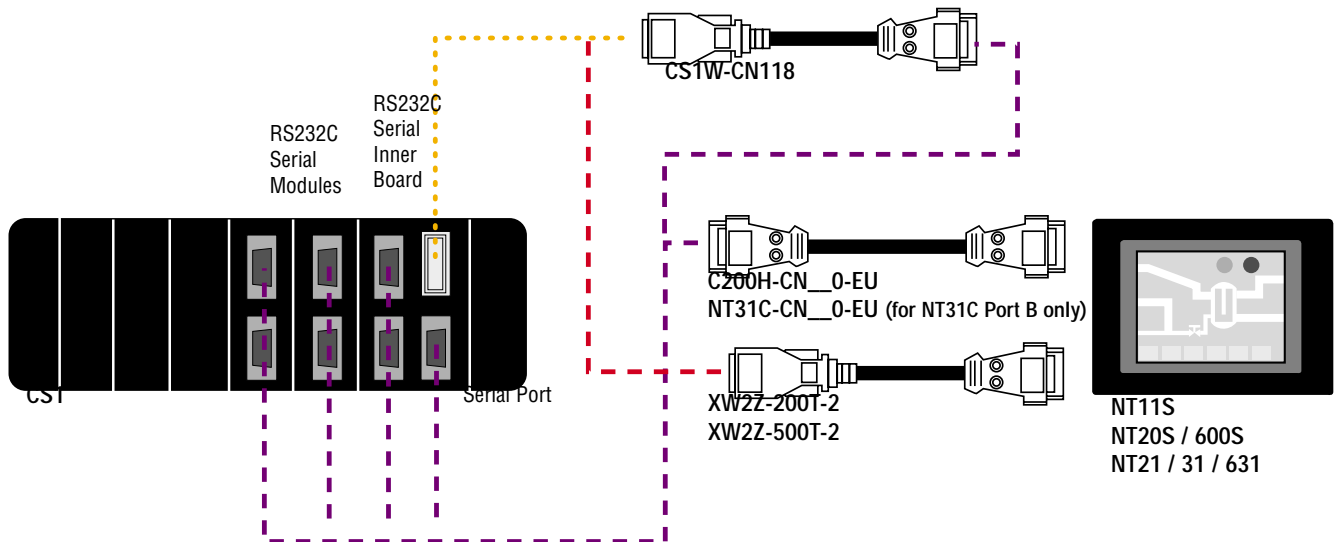


# Cable Solutions for Omron PLCs

## Operator Interface Terminals and CJ1 PLC



## Operator Interface Terminals and CS1 PLC



# Cable Solutions for Omron PLCs

## NT2S Message Display and Programmable Controllers

Peripheral port (Old type: C200H, SRM1, CPM2A, CPM1A)



NT2S-CN212 (2 m)  
NT2S-CN215 (5 m)

NT2S-SF121



NT2S-CN222-V1 (2 m)  
NT2S-CN225-V1 (5 m)

NT2S-SF122/123

Peripheral port (New type: CJ1, CS1, CQM1H, CPM2C)



NT2S-CN223-V1 (2 m)

NT2S-SF121



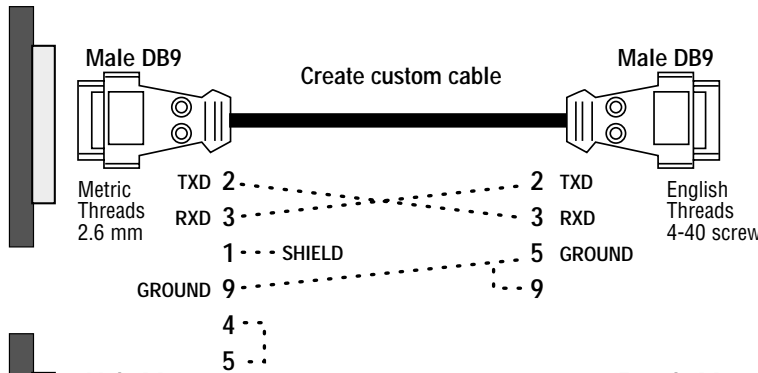
NT2S-CN224-V1 (2 m)

NT2S-SF122/123

## NT2S Custom Cables

Any Omron PLC Serial Port

RS232C

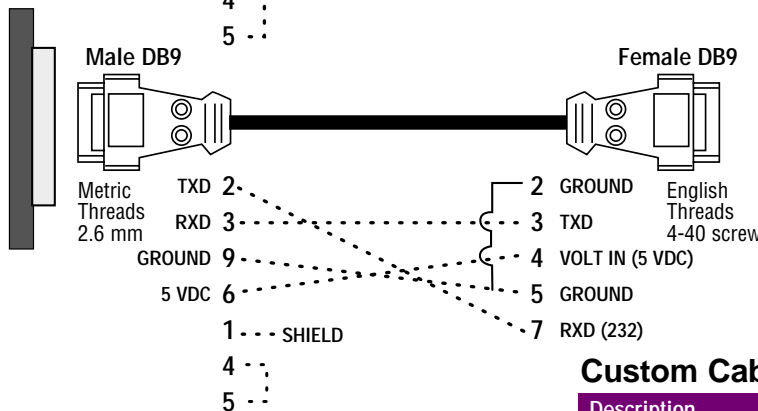


NT2S-SF121

(Purchase Omron's C200H-CN320-EU and short pins 5 and 9 on NT side as shown)

Any Omron PLC Serial Port

RS232C



NT2S-SF122

### Custom Cable Ordering Information

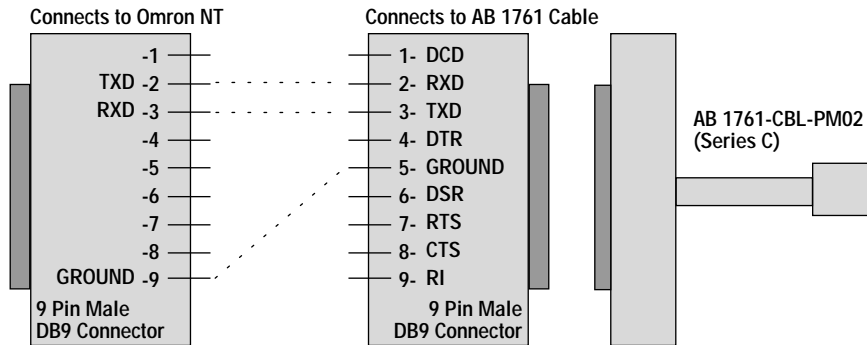
Description	Part Number
Metric thread shell and screws - 2.6 mm	XM2S-0911
English thread shell and screws - 4-40 screw	XM2S-0913
Male connector	XM2A-0901
Female connector	XM2D-0901



# Cable Solutions for Multi-Vendor PLCs

## Allen Bradley MicroLogix 1200

An alternative cable configuration uses a custom RS-232 9-to-9 PIN cable connecting to the Allen-Bradley 1767-CBL-PM02(Series C). The diagram below shows the pinouts for the custom RS-232 cable:



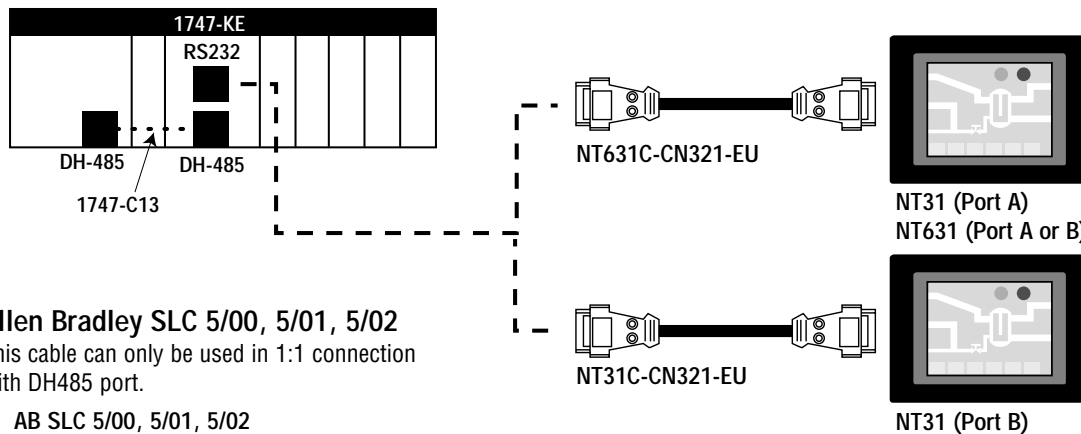
### AB MicroLogix 1200 Communication Cables

1761-CBL-PM02(Series C) DB9 to 8 pin mini-din connector (order from AB)

## Allen Bradley SLC 5/02

Communicates via AB's DF1 protocol. This PLC comes with only a DH-485 port. The Allen-Bradley 1747-KE module must be purchased to provide a serial connection on the SLC 5/02. Connect the communication cable from the NT to the serial port on the 1747-KE module.

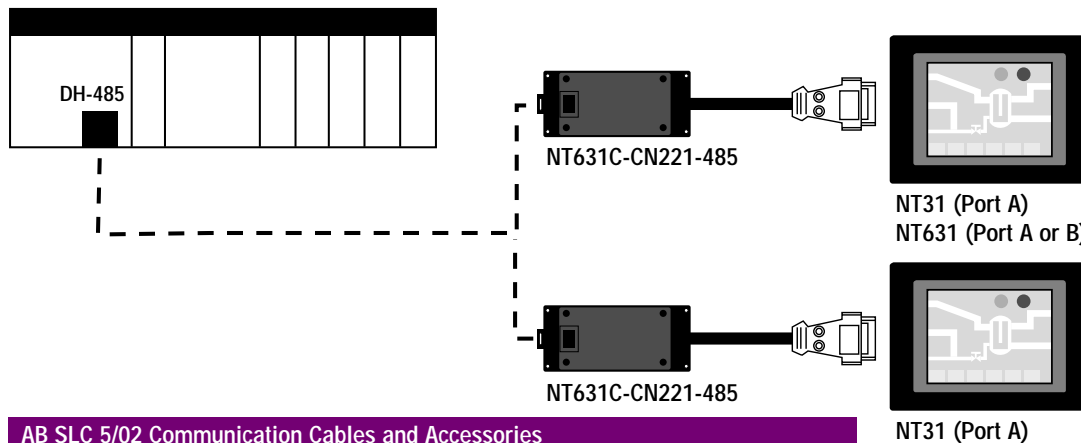
AB SLC 5/02



## Allen Bradley SLC 5/00, 5/01, 5/02

This cable can only be used in 1:1 connection with DH485 port.

AB SLC 5/00, 5/01, 5/02



### AB SLC 5/02 Communication Cables and Accessories

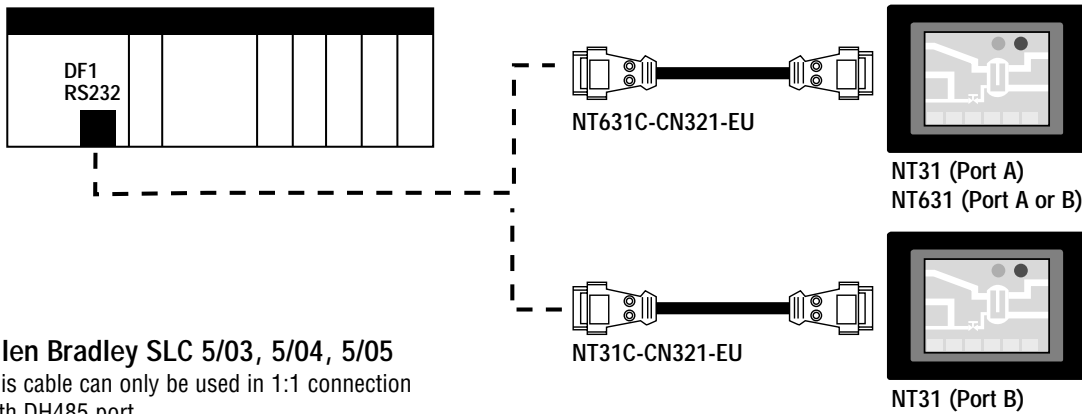
NT31C-CN321-EU	3.0 m cable, 25 to 9 pin, NT to AB SLC PLC
NT631C-CN321-EU	3.0 m cable, 9 to 9 pin, NT to AB SLC PLC
1747-KE	DB9 Serial Port Module (order from AB)
1747-C13	DH-485 module connection cable
V060-E1-2	Operation Manual – Multi-vendor Connection

# Cable Solutions for Multi-Vendor PLCs

## Allen Bradley SLC 5/03, 5/04, 5/05

Communicates via AB's DF1 protocol. Connect the communication cable from the NT to a serial port on the PLC using Omron cable part numbers.

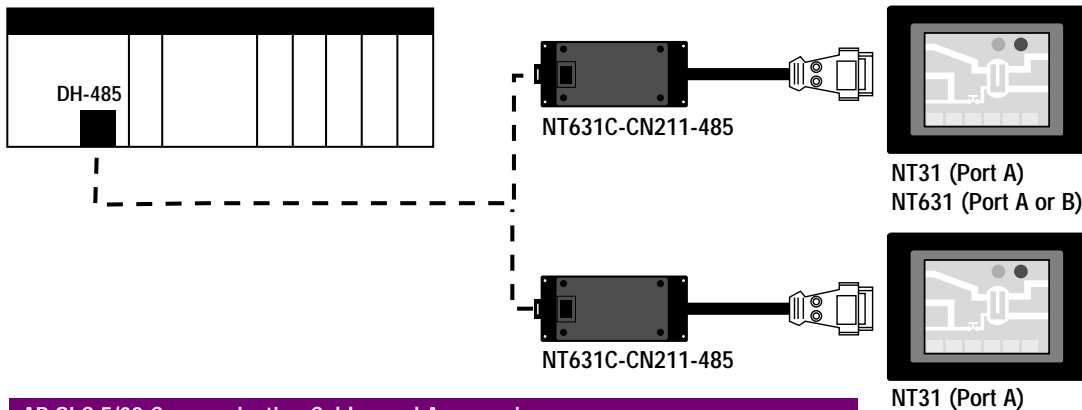
AB SLC 5/03, 5/04, 5/05



## Allen Bradley SLC 5/03, 5/04, 5/05

This cable can only be used in 1:1 connection with DH485 port.

AB SLC 5/03, 5/04, 5/05



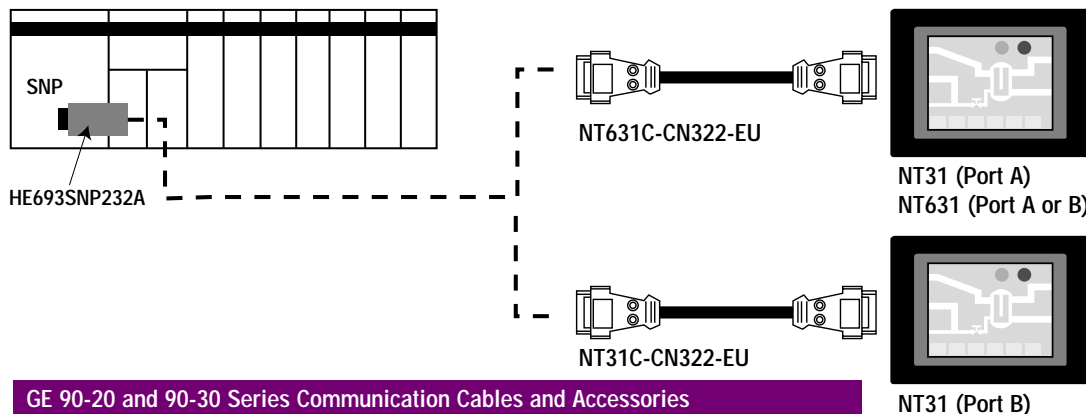
### AB SLC 5/02 Communication Cables and Accessories

NT31C-CN321-EU	3.0 m cable, 25 to 9 pin, NT to AB SLC PLC
NT631C-CN321-EU	3.0 m cable, 9 to 9 pin, NT to AB SLC PLC
V060-E1-2	Operation Manual – Multi-vendor Connection

## GE 90-20 and 90-30 Series PLCs

Communicates via GE's SNP-X protocol. The Omron NT is communicating RS-232, while the GE PLC uses RS-422. An RS232 to RS422 converter (HE693SNP232A) is needed to complete communications.

GE 90-20 and 90-30 Series



### GE 90-20 and 90-30 Series Communication Cables and Accessories

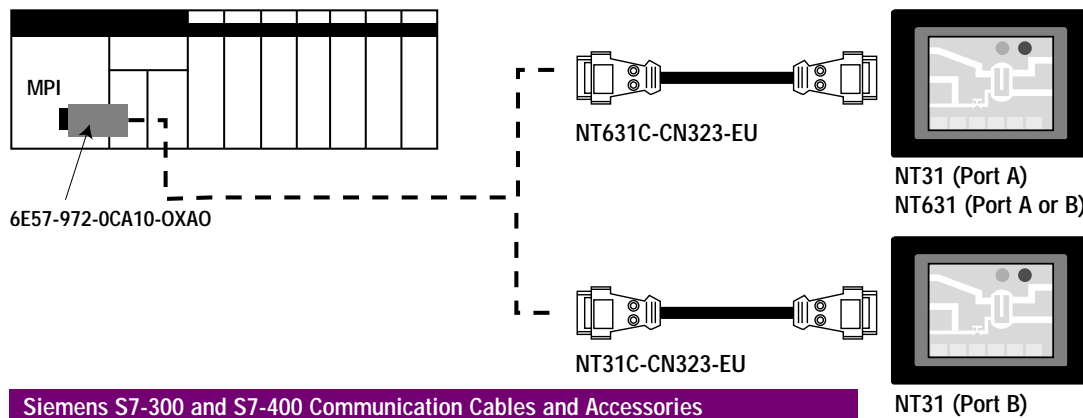
NT31C-CN322-EU	3.0 m cable, 25 to 9 pin, NT to GE PLC
NT631C-CN322-EU	3.0 m cable, 9 to 9 pin, NT to GE PLC
HE693SNP232A	RS232 to RS422 adapter (order from GE)
V060-E1-2	Operation Manual – Multi-vendor Connection

# Cable Solutions for Multi-Vendor PLCs

## Siemens S7-300 and S7-400 Series PLCs

Communicates with Siemens HMI Adapter protocol. The Omron NT is communicating RS-232 to the Siemens HMI adapter, 6E57-972-OCA10-OXA0. The adapter is necessary to convert the HMI Adapter protocol into the Siemens proprietary MPI protocol.

### Siemens S7-300 and S7-400 Series

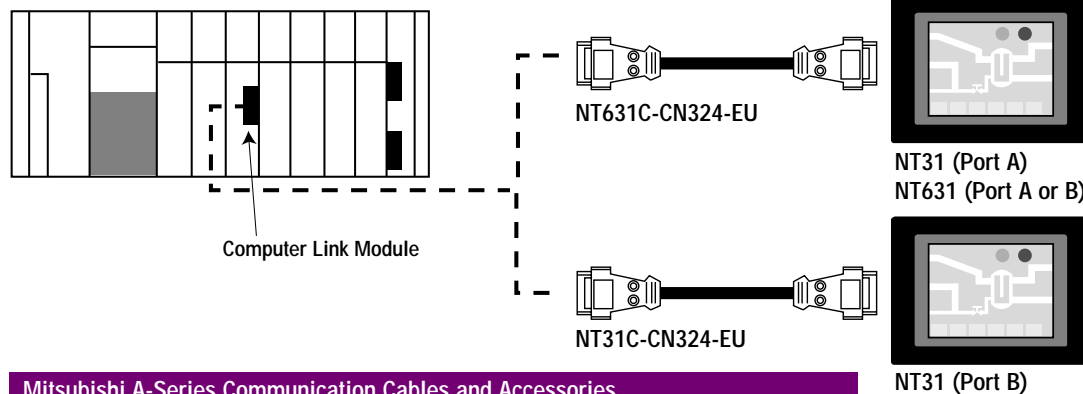


Siemens S7-300 and S7-400 Communication Cables and Accessories	
NT31C-CN323-EU	3.0 m cable, 25 to 9 pin, NT to Siemens PLC
NT631C-CN323-EU	3.0 m cable, 9 to 9 pin, NT to Siemens PLC
6E57-972-OCA10-OXA0	HMI Adapter for MPI protocol (order from Siemens)
V060-E1-2	Operation Manual – Multi-vendor Connection

## Mitsubishi A-Series PLCs

Communicates using Mitsubishi's Computer Link protocol. The Omron NT and the Mitsubishi A-Series PLC are communicating using RS-232 communications. Communications can be RS-422 by using custom cables as specified in Operation Manual V042-E1-1.

### Mitsubishi A-Series



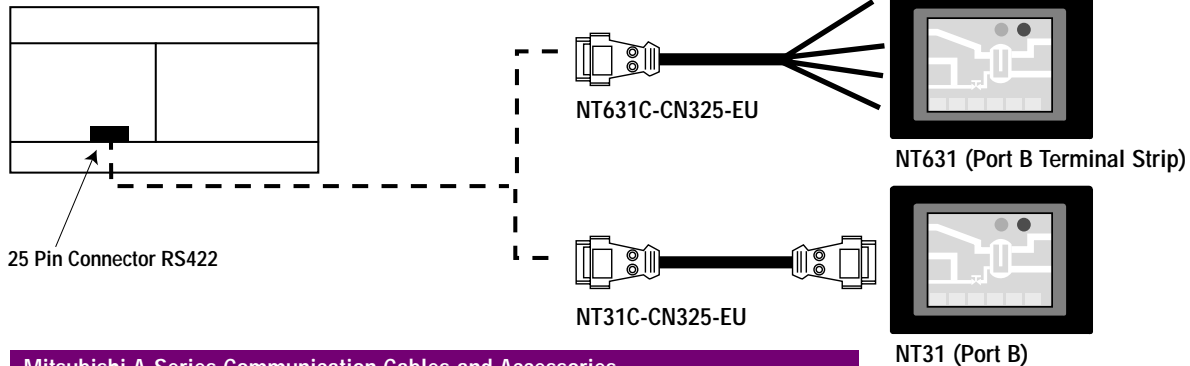
Mitsubishi A-Series Communication Cables and Accessories	
NT31C-CN324-EU	3.0 m cable, 25 to 9 pin, NT to Mits-A PLC
NT631C-CN324-EU	3.0 m cable, 9 to 9 pin, NT to Mits-A PLC
V042-E1-1	Operation Manual – PC (Mitsubishi) Connection

# Cable Solutions for Multi-Vendor PLCs

## Mitsubishi FX-Series PLCs

Communicates via Mitsubishi's Computer Link protocol. The Omron NT and Mitsubishi FX-Series PLC are communicating using RS422 communications. The NT31 cable connects from the 25-pin port B, while the NT631 connects from the RS422 terminal screws for Port B.

### Mitsubishi FX-Series

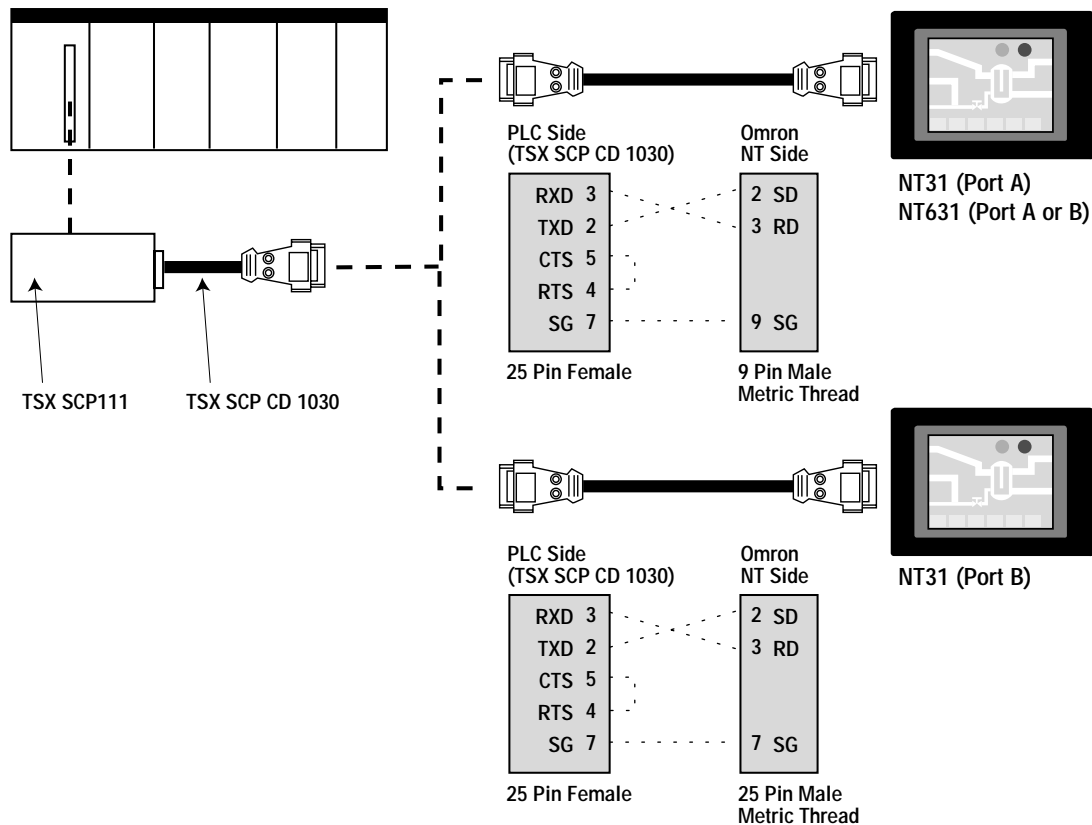


### Mitsubishi A-Series Communication Cables and Accessories

NT31C-CN325-EU	3.0 m cable, 25 to 25 pin, NT to Mits-FX PLC
NT631C-CN325-EU	3.0 m cable, 4 Wires to 25 pin, NT to Mits-FX PLC
FX-20P-CADP	Cable for FX0 & FX0N PLC (buy from Mitsubishi)
V042-E1-1	Operation Manual – PC (Mitsubishi) Connection

## Modicon TSX Micro 37-21/22 & Premium Series PLCs

For RS-232C connection:



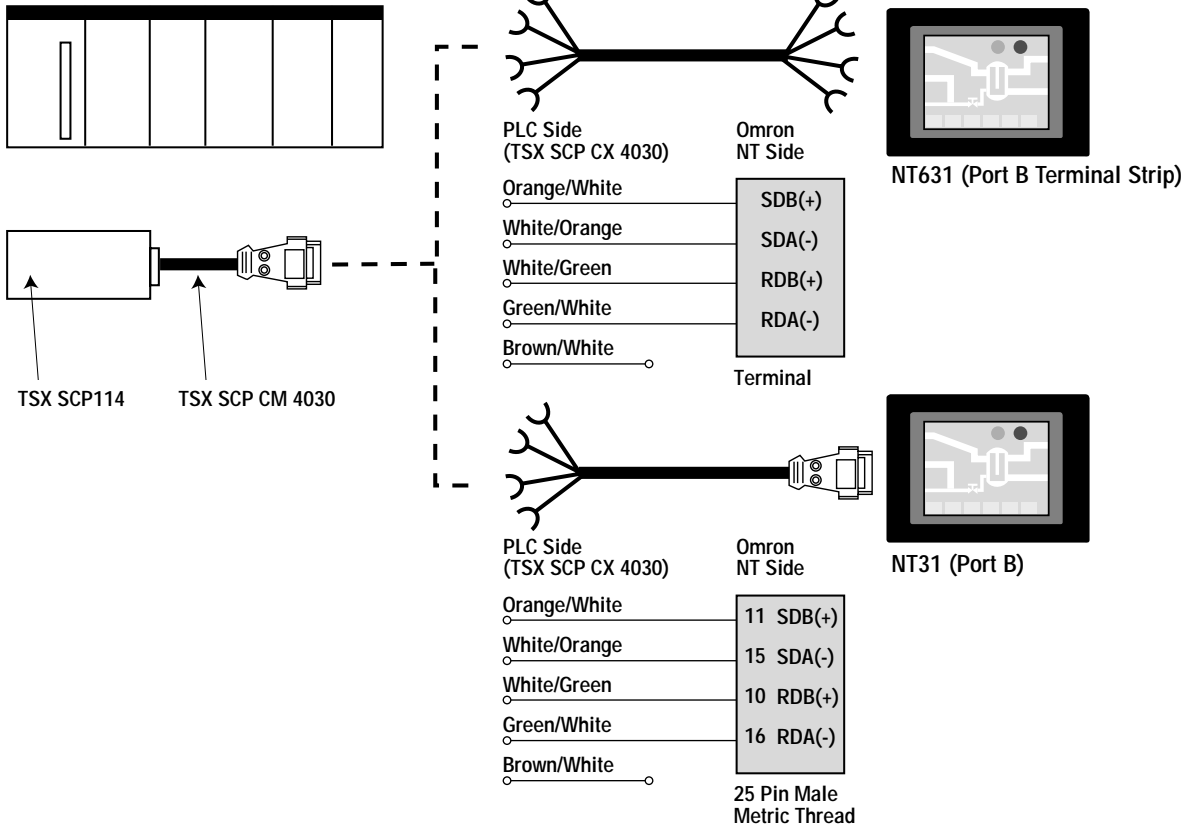
### Modicon TSX Series Communication Cables and Accessories

TSX SCP111	Multi-protocol PCMCIA card for RS-232C
TSX SCP114	Multi-protocol PCMCIA card for RS-422A
TSX SCP CD 1030	Connecting cable for PCMCIA for RS-232C
TSX SCP CM 4030	Connecting cable for PCMCIA for RS-422A

# Cable Solutions for Multi-Vendor PLCs

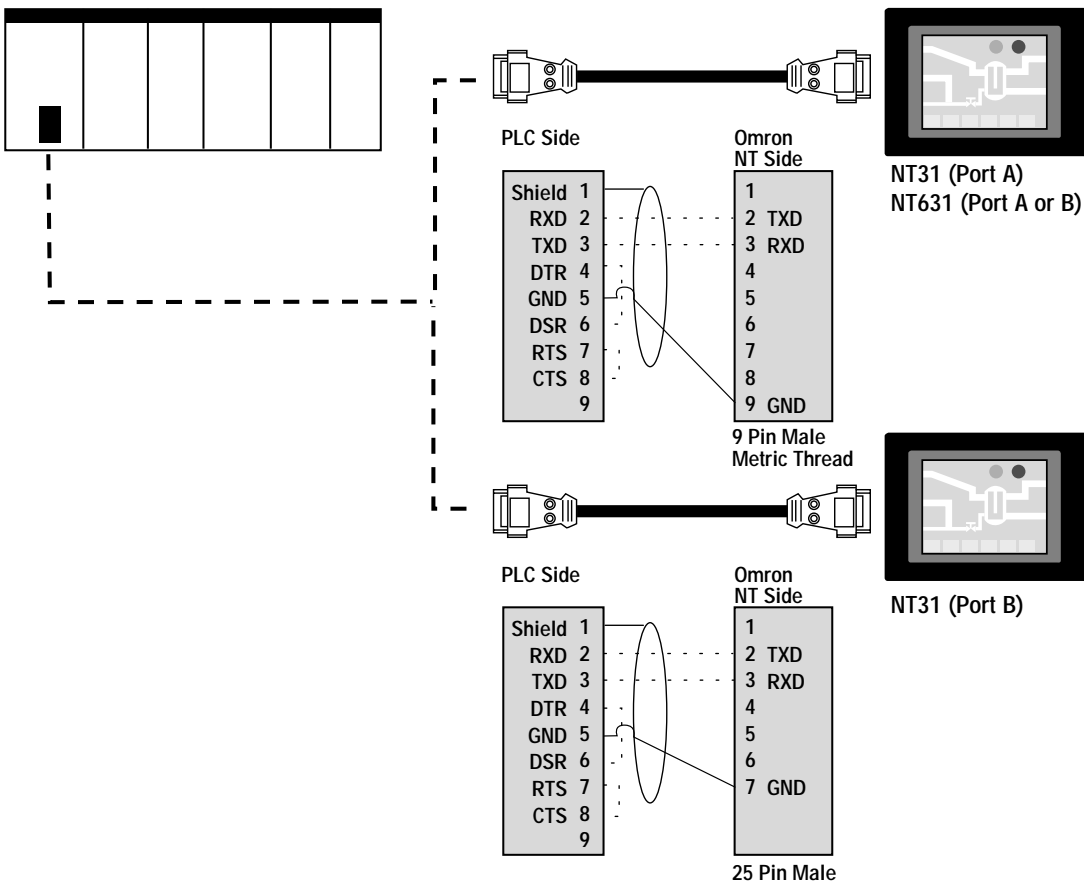
## Modicon TSX Micro 37-21/22 & Premium Series PLCs

For RS-422A connection:



## Modicon TSX Quantum Series PLCs

For RS-232C connection:





## OMRON ELECTRONICS LLC

1 Commerce Drive  
Schaumburg, IL 60173 USA  
800.55.OMRON (66766)

## OMRON CANADA, INC.

885 Milner Avenue  
Scarborough, Ontario M1B 5V8  
416.286.6465

## OMRON ON-LINE

Global - <http://www.omron.com>  
USA - <http://www.omron.com/oei>  
Canada - <http://www.omron.com/oci>

### UNITED STATES

To locate a Regional Sales Office, local Distributor or to obtain product information, call:

**800.55.OMRON or 847.843.7900**

### CANADA REGIONAL SALES OFFICES

<b>Ontario</b>	Toronto	416.286.6465
	Kitchener	519.896.1144
	Kingston	613.376.3968
<b>Quebec</b>	Montreal	514.636.6676
<b>British Columbia</b>	Vancouver	604.522.8855
<b>Alberta</b>	Edmonton	403.440.0818
	Calgary	403.257.3095

### BRAZIL SALES OFFICE

**Sao Paulo** 55.11.5564.6488

### ARGENTINA SALES OFFICE

**Cono Sur** 54.114.787.1129

### MEXICO SALES OFFICE - UNITED STATES

**Florida** 954.227.2121

### MEXICO SALES OFFICE - MEXICO

**Mexico, D.F.** 555.534.1195 **Monterrey, N.L.** 818.377.4281

Компания «Океан Электроники» предлагает заключение долгосрочных отношений при поставках импортных электронных компонентов на взаимовыгодных условиях!

Наши преимущества:

- Поставка оригинальных импортных электронных компонентов напрямую с производств Америки, Европы и Азии, а так же с крупнейших складов мира;
- Широкая линейка поставок активных и пассивных импортных электронных компонентов (более 30 млн. наименований);
- Поставка сложных, дефицитных, либо снятых с производства позиций;
- Оперативные сроки поставки под заказ (от 5 рабочих дней);
- Экспресс доставка в любую точку России;
- Помощь Конструкторского Отдела и консультации квалифицированных инженеров;
- Техническая поддержка проекта, помощь в подборе аналогов, поставка прототипов;
- Поставка электронных компонентов под контролем ВП;
- Система менеджмента качества сертифицирована по Международному стандарту ISO 9001;
- При необходимости вся продукция военного и аэрокосмического назначения проходит испытания и сертификацию в лаборатории (по согласованию с заказчиком);
- Поставка специализированных компонентов военного и аэрокосмического уровня качества (Xilinx, Altera, Analog Devices, Intersil, Interpoint, Microsemi, Actel, Aeroflex, Peregrine, VPT, Syfer, Eurofarad, Texas Instruments, MS Kennedy, Miteq, Cobham, E2V, MA-COM, Hittite, Mini-Circuits, General Dynamics и др.);

Компания «Океан Электроники» является официальным дистрибьютором и эксклюзивным представителем в России одного из крупнейших производителей разъемов военного и аэрокосмического назначения «JONHON», а так же официальным дистрибьютором и эксклюзивным представителем в России производителя высокотехнологичных и надежных решений для передачи СВЧ сигналов «FORSTAR».



## JONHON

«JONHON» (основан в 1970 г.)

Разъемы специального, военного и аэрокосмического назначения:

(Применяются в военной, авиационной, аэрокосмической, морской, железнодорожной, горно- и нефтедобывающей отраслях промышленности)

«FORSTAR» (основан в 1998 г.)

ВЧ соединители, коаксиальные кабели, кабельные сборки и микроволновые компоненты:

(Применяются в телекоммуникациях гражданского и специального назначения, в средствах связи, РЛС, а так же военной, авиационной и аэрокосмической отраслях промышленности).



Телефон: 8 (812) 309-75-97 (многоканальный)

Факс: 8 (812) 320-03-32

Электронная почта: [ocean@oceanchips.ru](mailto:ocean@oceanchips.ru)

Web: <http://oceanchips.ru/>

Адрес: 198099, г. Санкт-Петербург, ул. Калинина, д. 2, корп. 4, лит. А