

**DUAL GENERAL PURPOSE LOW VOLTAGE COMPARATOR****AZV393****General Description**

The AZV393 is a low voltage 2.5V to 5.5V, dual comparator, which has a very low supply current of 100 μ A, making the part an excellent choice for portable electronic systems. The device is pin-for-pin compatible replacement of the LMV393.

The AZV393 is built with BiCMOS process with bipolar input and output stages for improved noise performance. It is a cost-effective solution for portable consumer products where space, low voltage, low power and price are the primary specification in circuit design.

The AZV393 is available in standard SOIC-8 and space saving TSSOP-8 and MSOP-8 packages.

Features

- Guaranteed 2.5V to 5.5V Performance
- Industrial Temperature Range: -40°C to 85°C
- Low Supply Current: 100 μ A Typical
- Input Common Mode Voltage Range Includes Ground
- Low Output Saturation Voltage: 200mV Typical
- Open Collector Output for Maximal Flexibility

Applications

- Notebook and PDA
- Low Power, Low Voltage Applications
- General Purpose Portable Devices
- Mobile Communications
- Battery Powered Electronics



Figure 1. Package Types of AZV393

DUAL GENERAL PURPOSE LOW VOLTAGE COMPARATOR

AZV393

Pin Configuration

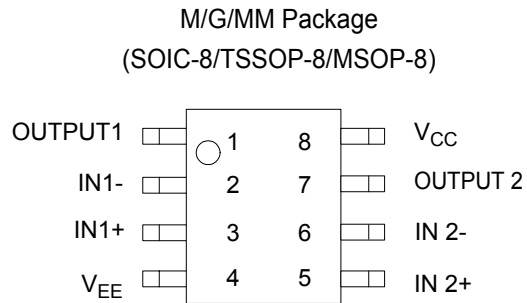


Figure 2. Pin Configuration of AZV393 (Top View)

Functional Block Diagram

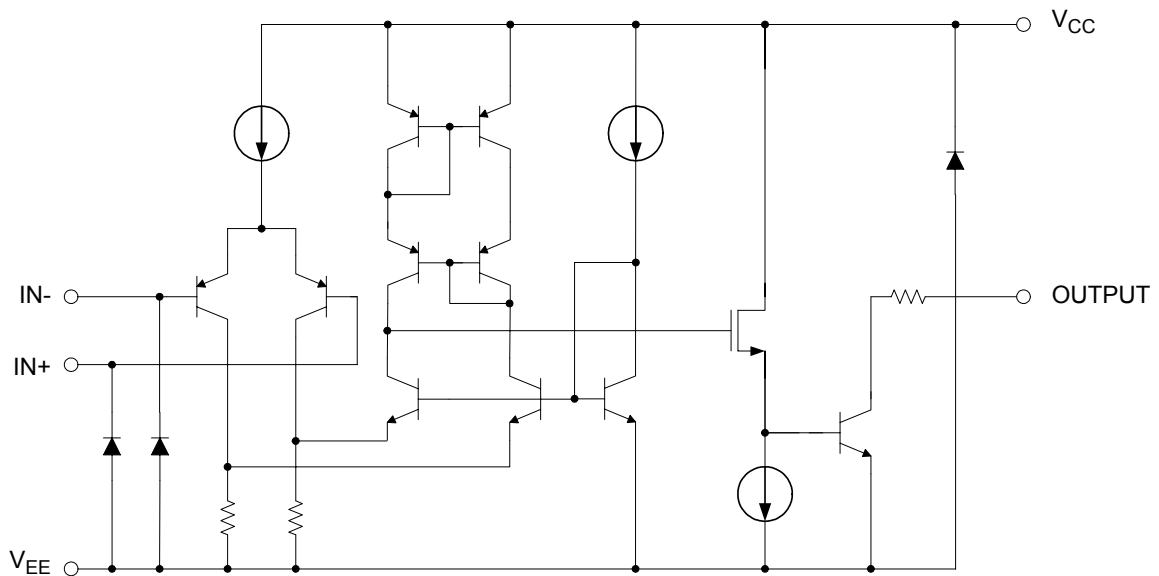


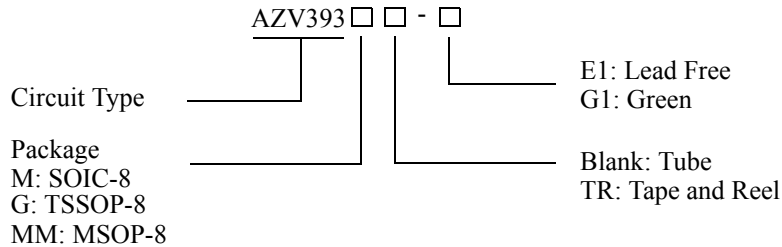
Figure 3. Functional Block Diagram of AZV393 (Each comparator)



DUAL GENERAL PURPOSE LOW VOLTAGE COMPARATOR

AZV393

Ordering Information



Package	Temperature Range	Part Number		Marking ID		Packing Type
		Lead Free	Green	Lead Free	Green	
SOIC-8	-40 to 85°C	AZV393M-E1	AZV393M-G1	AZV393M-E1	AZV393M-G1	Tube
		AZV393MTR-E1	AZV393MTR-G1	AZV393M-E1	AZV393M-G1	Tape & Reel
TSSOP-8	-40 to 85°C	AZV393G-E1	AZV393G-G1	EG3D	GG3D	Tube
		AZV393GTR-E1	AZV393GTR-G1	EG3D	GG3D	Tape & Reel
MSOP-8	-40 to 85°C	AZV393MM-E1	AZV393MM-G1	AZV393MM-E1	AZV393MM-G1	Tube
		AZV393MMTR-E1	AZV393MMTR-G1	AZV393MM-E1	AZV393MM-G1	Tape & Reel

BCD Semiconductor's Pb-free products, as designated with "E1" suffix in the part number, are RoHS compliant. Products with "G1" suffix are available in green packages.

Absolute Maximum Ratings (Note 1)

Parameter	Symbol	Value	Unit
Power Supply Voltage	V _{CC}	6	V
Operation Junction Temperature	T _J	150	°C
Storage Temperature Range	T _{STG}	-65 to 150	°C
Lead Temperature (Soldering, 10 Seconds)	T _{LEAD}	260	°C
ESD (Machine Model)		300	V
ESD (Human Body Model)		4000	V

Note 1: Stresses greater than those listed under "Absolute Maximum Ratings" may cause permanent damage to the device. These are stress ratings only, and functional operation of the device at these or any other conditions beyond those indicated under "Recommended Operating Conditions" is not implied. Exposure to "Absolute Maximum Ratings" for extended periods may affect device reliability.

**DUAL GENERAL PURPOSE LOW VOLTAGE COMPARATOR****AZV393****Recommended Operating Conditions**

Parameter	Symbol	Min	Max	Unit
Supply Voltage	V_{CC}	2.5	5.5	V
Ambient Operating Temperature Range	T_A	-40	85	°C

2.7V DC Electrical Characteristics

Limits in standard typeface are guaranteed for $T_A=25^{\circ}\text{C}$, $V_{CC}=2.7\text{V}$, $V_{EE}=0\text{V}$, $R_L=5.1\text{k}\Omega$ connected to V_{CC} and $V_{CM}=0$, **bold** typeface applies over full temperature ranges, unless otherwise specified.

Parameter	Symbol	Conditions	Min	Typ	Max	Unit
Input Offset Voltage	V_{OS}			1.7	7	mV
					9	
Input Offset Voltage Average Drift	TCV_{OS}			5		$\mu\text{V}/^{\circ}\text{C}$
Input Bias Current	I_B	I_{IN^+} or I_{IN^-} with output in linear range, $V_{CM}=0\text{V}$		10	250	nA
					400	
Input Offset Current	I_{IO}	$I_{IN^+} - I_{IN^-}$, $V_{CM}=0\text{V}$		5	50	nA
					150	
Saturation Voltage	V_{SAT}	$I_{SINK} \leq 1\text{mA}$		200		mV
					500	
Output Sink Current	I_{SINK}	$V_O \leq 1.5\text{V}$	5	23		mA
Input Common-Mode Voltage Range	V_{CM}		-0.1		2	V
Supply Current	I_{CC}			70	150	μA
					200	
Output Leakage Current	$I_{LEAKAGE}$			0.003		μA

2.7V AC Electrical Characteristics

All limits are guaranteed for $T_A=25^{\circ}\text{C}$, $V_{CC}=2.7\text{V}$, $V_{EE}=0\text{V}$, $R_L=5.1\text{k}\Omega$ connected to V_{CC} and $V_{CM}=0$, unless otherwise specified.

Parameter	Symbol	Conditions	Min	Typ	Max	Unit
Propagation Delay (High to Low)	T_{PHL}	Input Overdrive=10mV		1000		ns
		Input Overdrive=100mV		350		
Propagation Delay (Low to High)	T_{PLH}	Input Overdrive=10mV		500		ns
		Input Overdrive=100mV		400		

**DUAL GENERAL PURPOSE LOW VOLTAGE COMPARATOR****AZV393****5V DC Electrical Characteristics**

Limits in standard typeface are guaranteed for $T_A=25^\circ\text{C}$, $V_{CC}=5\text{V}$, $V_{EE}=0\text{V}$, $R_L=5.1\text{k}\Omega$ connected to V_{CC} and $V_{CM}=0$, **bold** typeface applies over full temperature ranges, unless otherwise specified.

Parameter	Symbol	Conditions	Min	Typ	Max	Unit
Input Offset Voltage	V_{OS}			1.7	7	mV
					9	
Input Offset Voltage Average Drift	TCV_{OS}			5		$\mu\text{V}/^\circ\text{C}$
Input Bias Current	I_B	I_{IN^+} or I_{IN^-} with output in linear range, $V_{CM}=0\text{V}$		25	250	nA
					400	
Input Offset Current	I_{IO}	$I_{IN^+} - I_{IN^-}$, $V_{CM}=0\text{V}$		2	50	nA
					150	
Saturation Voltage	V_{SAT}	$I_{SINK} \leq 4\text{mA}$		200	400	mV
					500	
Output Sink Current	I_{SINK}	$V_O \leq 1.5\text{V}$	10	84		mA
Input Common-Mode Voltage Range	V_{CM}		-0.1		4.2	V
Voltage Gain	A_V		20	50		V/mV
Supply Current	I_{CC}			100	200	μA
					250	
Output Leakage Current	$I_{LEAKAGE}$			0.003		μA

5V AC Electrical Characteristics

All limits are guaranteed for $T_A=25^\circ\text{C}$, $V_{CC}=5\text{V}$, $V_{EE}=0\text{V}$, $R_L=5.1\text{k}\Omega$ connected to V_{CC} and $V_{CM}=0$, unless otherwise specified.

Parameter	Symbol	Conditions	Min	Typ	Max	Unit
Propagation Delay (High to Low)	T_{PHL}	Input Overdrive=10mV		600		ns
		Input Overdrive=100mV		200		
Propagation Delay (Low to High)	T_{PLH}	Input Overdrive=10mV		450		ns
		Input Overdrive=100mV		300		



DUAL GENERAL PURPOSE LOW VOLTAGE COMPARATOR

AZV393

Typical Performance Characteristics

$T_A=25^{\circ}\text{C}$, unless otherwise specified.

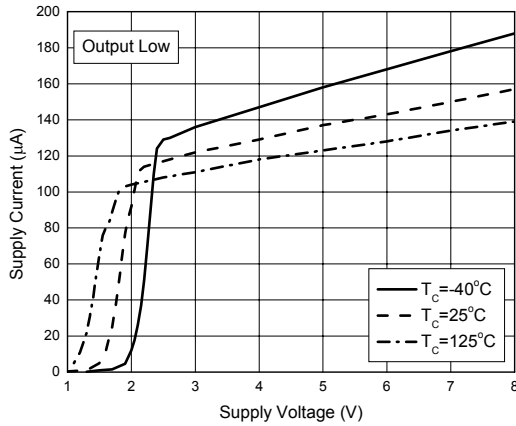


Figure 4. Supply Current vs. Supply Voltage

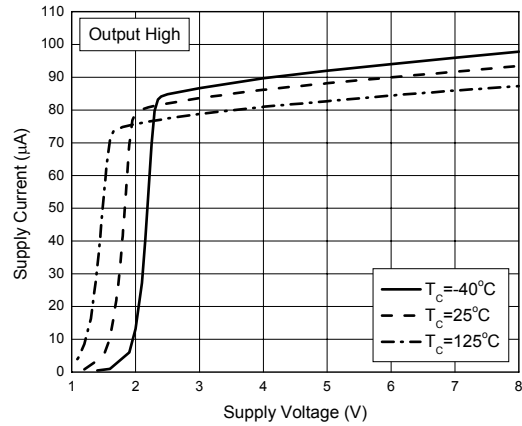


Figure 5. Supply Current vs. Supply Voltage

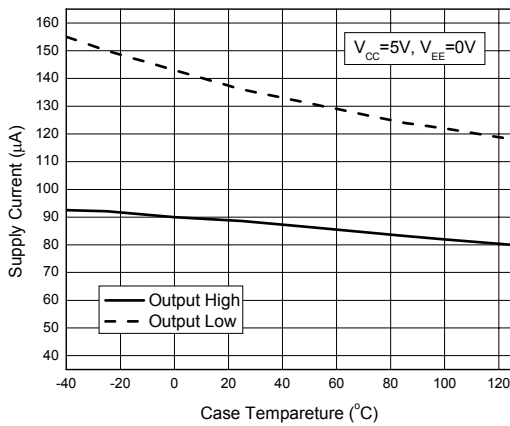


Figure 6. Supply Current vs. Case Temperature

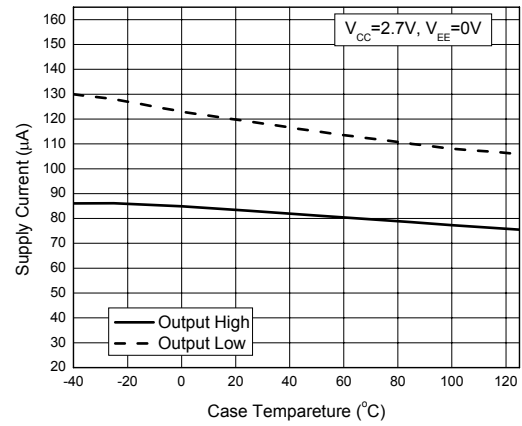


Figure 7. Supply Current vs. Case Temperature



DUAL GENERAL PURPOSE LOW VOLTAGE COMPARATOR

AZV393

Typical Performance Characteristics (Continued)

$T_A=25^\circ\text{C}$, unless otherwise specified.

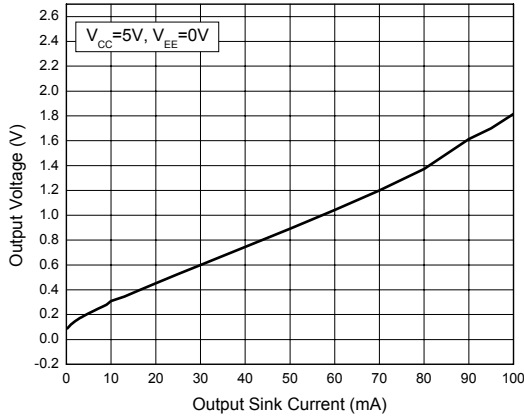


Figure 8. Output Voltage vs. Output Sink Current

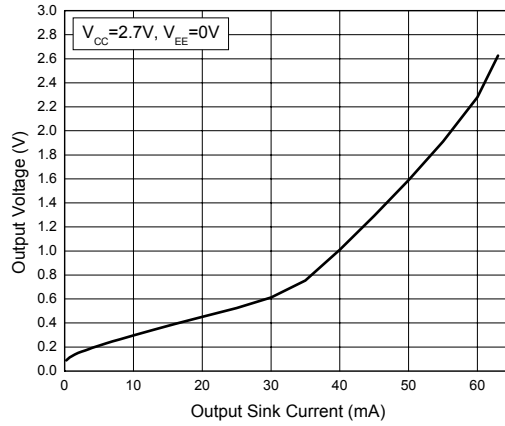


Figure 9. Output Voltage vs. Output Sink Current

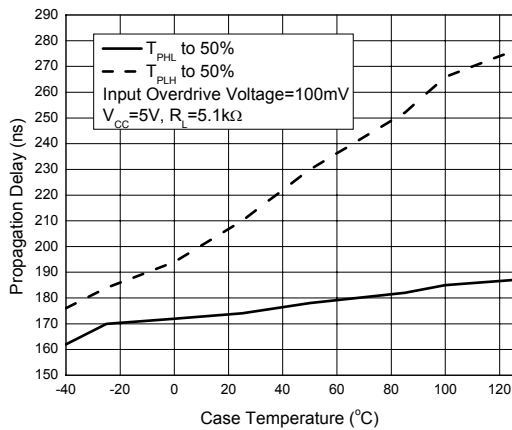


Figure 10. Propagation Delay vs. Temperature

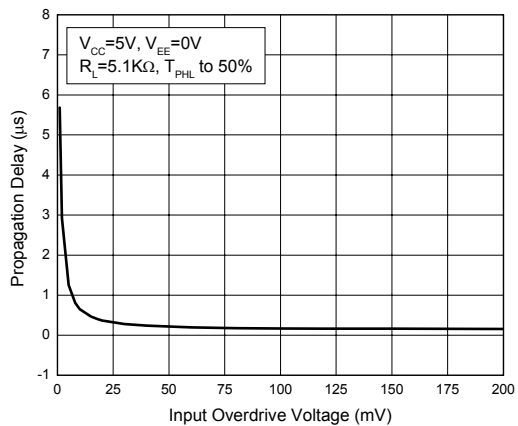


Figure 11. Propagation Delay vs. Input Overdrive Voltage



DUAL GENERAL PURPOSE LOW VOLTAGE COMPARATOR

AZV393

Typical Performance Characteristics (Continued)

$T_A=25^{\circ}\text{C}$, unless otherwise specified.

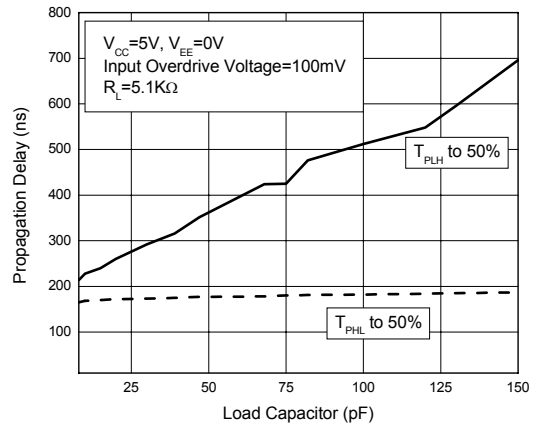
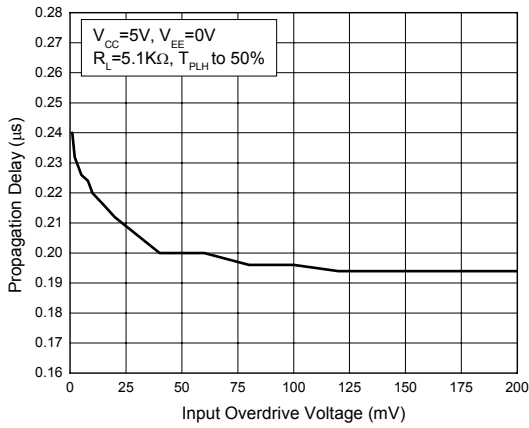


Figure 12. Propagation Delay vs. Input Overdrive Voltage

Figure 13. Propagation Delay vs. Load Capacitor

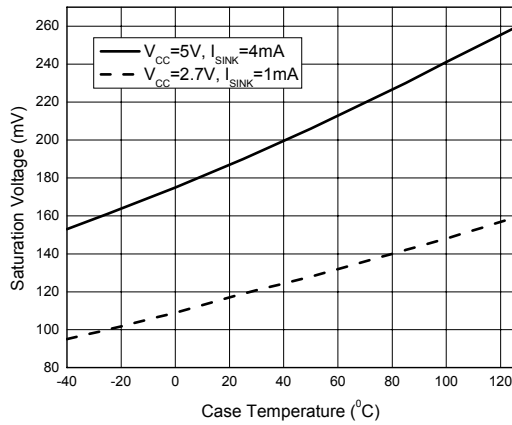


Figure 14. Saturation Voltage vs. Case Temperature

DUAL GENERAL PURPOSE LOW VOLTAGE COMPARATOR

AZV393

Typical Performance Characteristics (Continued)

$T_A=25^\circ\text{C}$, unless otherwise specified.

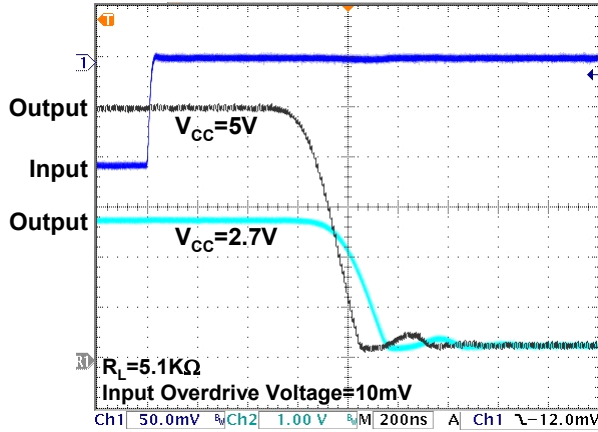


Figure 15. Response Time for Positive Transition

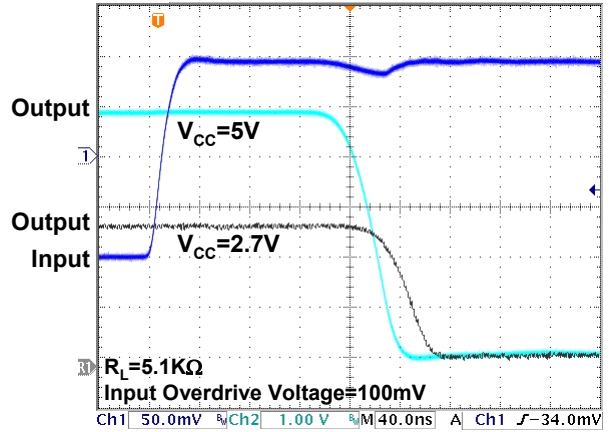


Figure 16. Response Time for Positive Transition

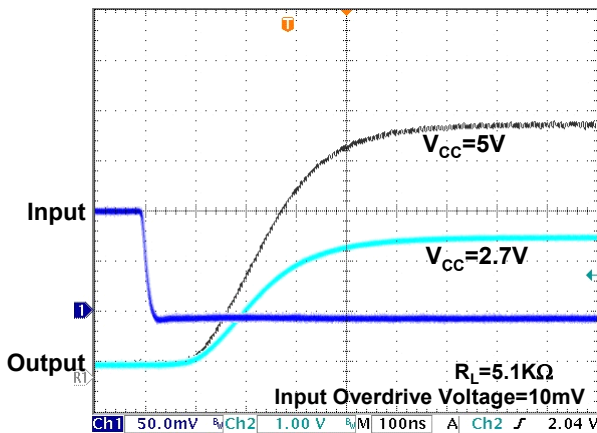


Figure 17. Response Time for Negative Transition

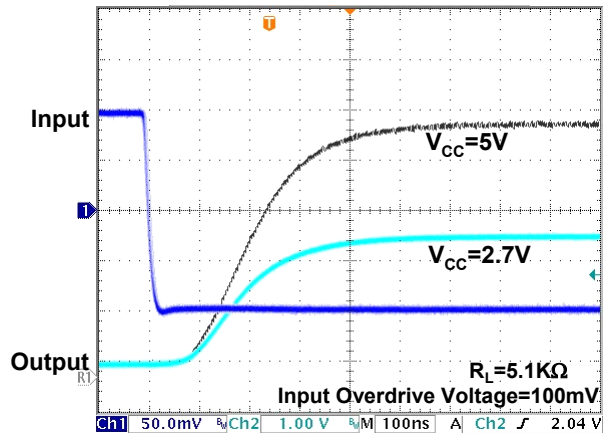


Figure 18. Response Time for Negative Transition

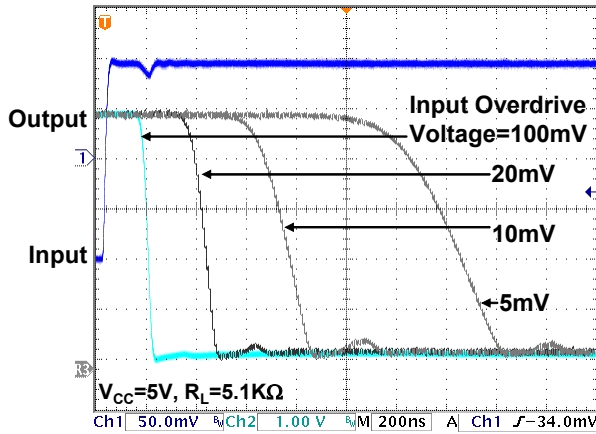
DUAL GENERAL PURPOSE LOW VOLTAGE COMPARATOR**AZV393****Typical Performance Characteristics (Continued)** $T_A=25^\circ\text{C}$, unless otherwise specified.

Figure 19. Response Time for Positive Transition

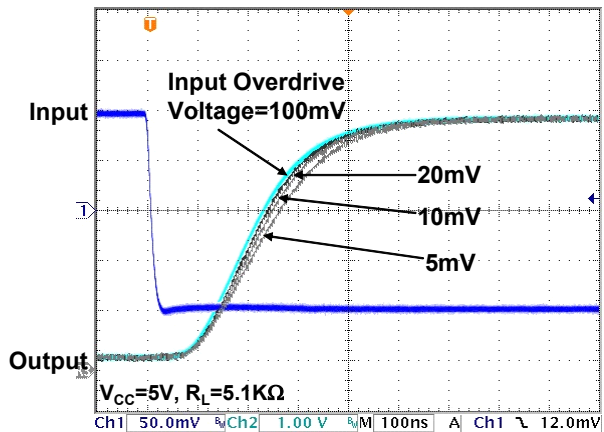


Figure 20. Response Time for Negative Transition

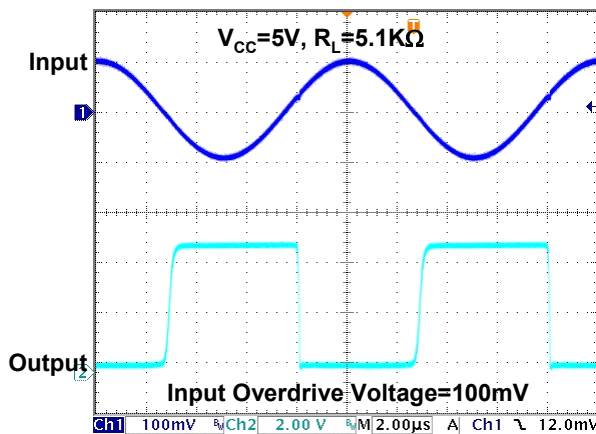


Figure 21. 100kHz Response

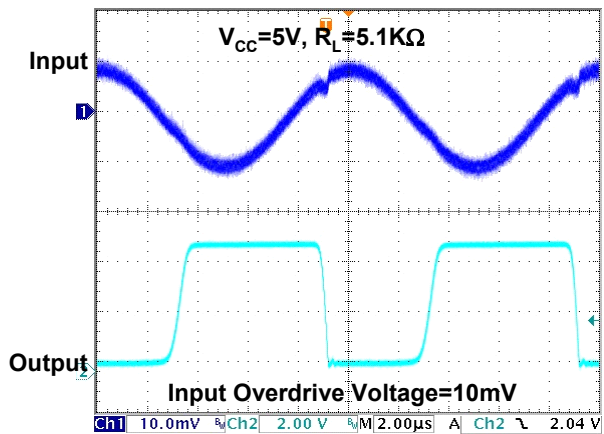


Figure 22. 100kHz Response

DUAL GENERAL PURPOSE LOW VOLTAGE COMPARATOR

AZV393

Typical Performance Characteristics (Continued)

$T_A=25^\circ\text{C}$, unless otherwise specified.

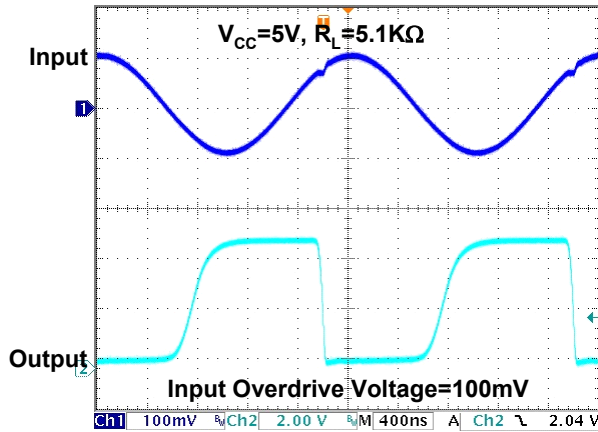


Figure 23. 500kHz Response

Typical Applications

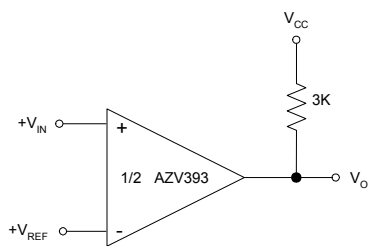


Figure 24. Basic Comparator

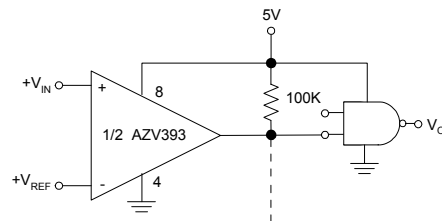


Figure 25. Driving CMOS

Typical Applications (Continued)

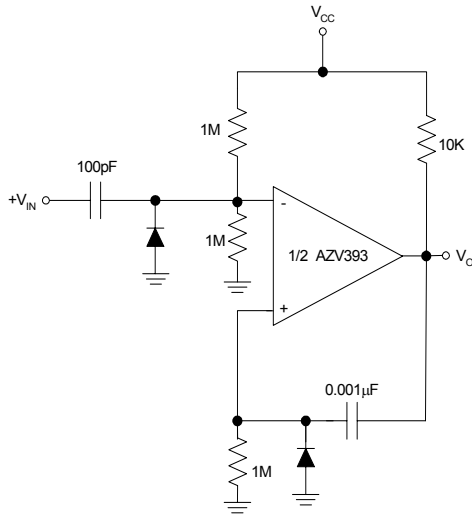


Figure 26. One Shot Multivibrator

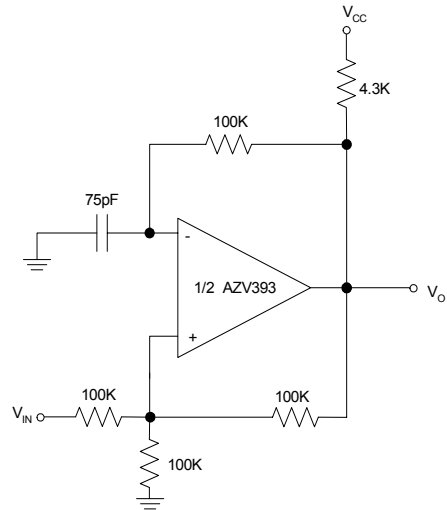


Figure 27. Squarewave Oscillator



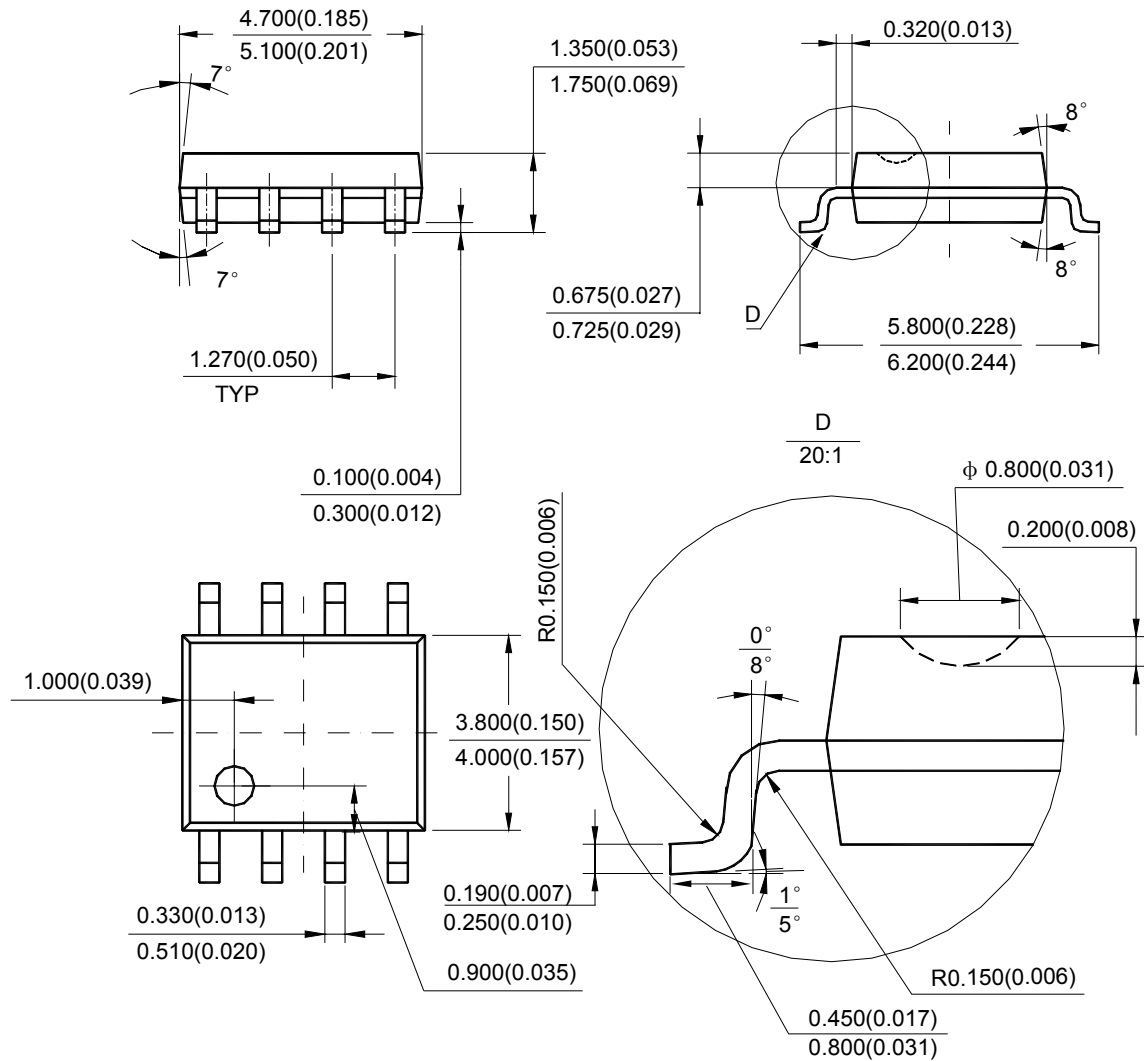
DUAL GENERAL PURPOSE LOW VOLTAGE COMPARATOR

AZV393

Mechanical Dimensions

SOIC-8

Unit: mm(inch)



Note: Eject hole, oriented hole and mold mark is optional.



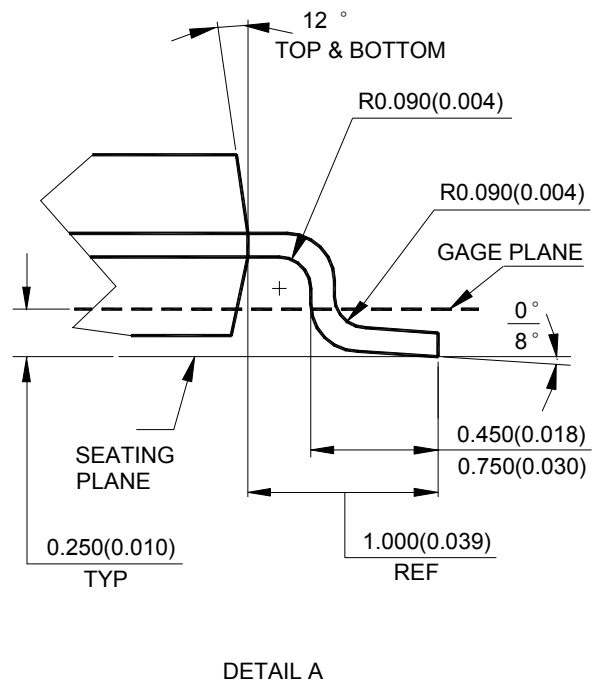
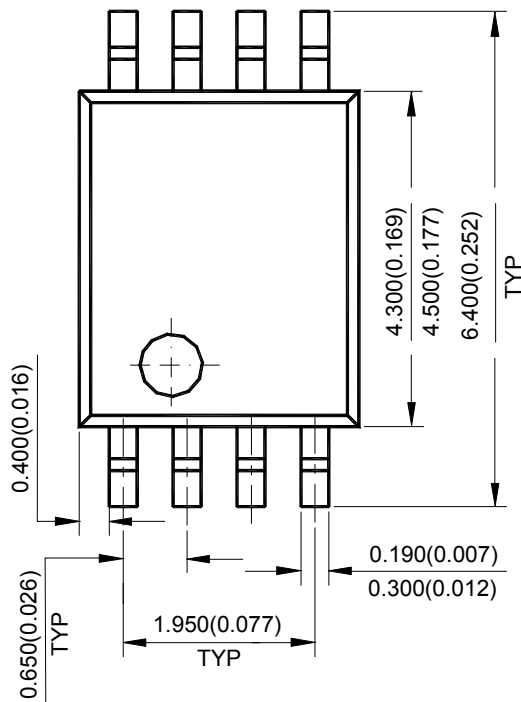
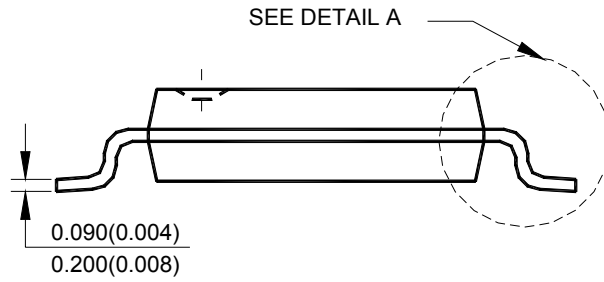
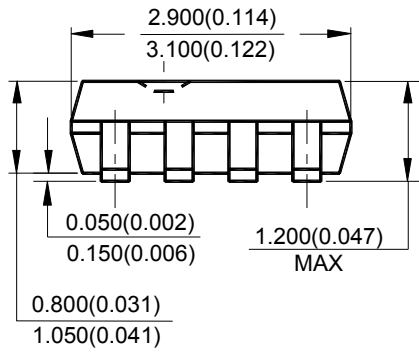
DUAL GENERAL PURPOSE LOW VOLTAGE COMPARATOR

AZV393

Mechanical Dimensions (Continued)

TSSOP-8

Unit: mm(inch)



Note: Eject hole, oriented hole and mold mark is optional.



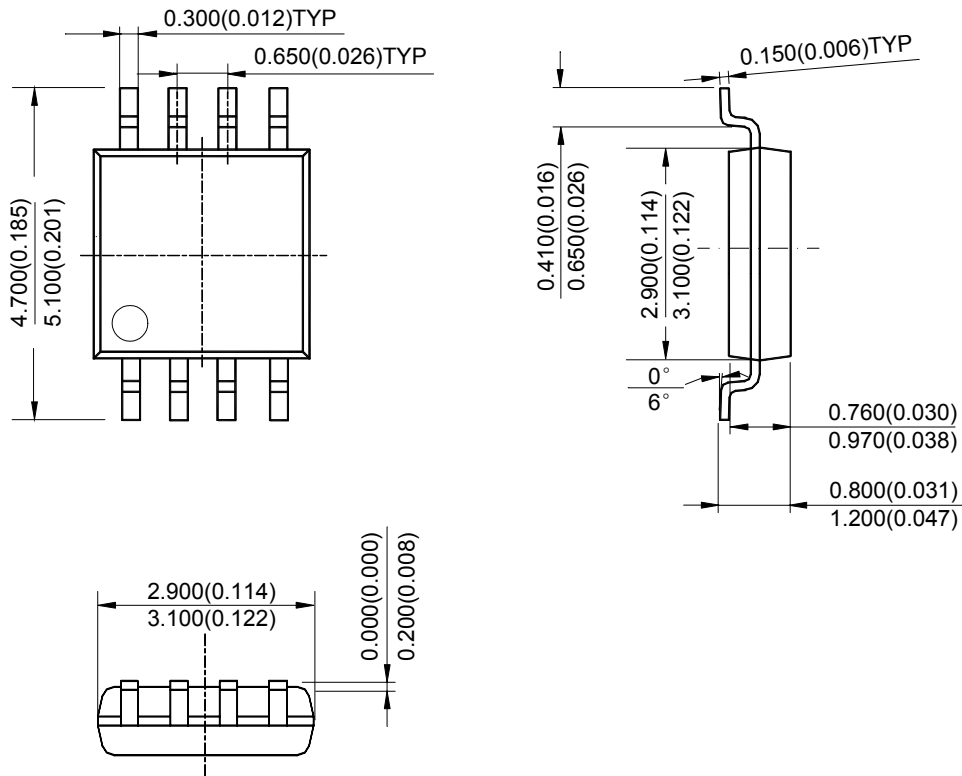
DUAL GENERAL PURPOSE LOW VOLTAGE COMPARATOR

AZV393

Mechanical Dimensions (Continued)

MSOP-8

Unit: mm(inch)



Note: Eject hole, oriented hole and mold mark is optional.



BCD Semiconductor Manufacturing Limited

<http://www.bcdsemi.com>

IMPORTANT NOTICE

BCD Semiconductor Manufacturing Limited reserves the right to make changes without further notice to any products or specifications herein. BCD Semiconductor Manufacturing Limited does not assume any responsibility for use of any its products for any particular purpose, nor does BCD Semiconductor Manufacturing Limited assume any liability arising out of the application or use of any its products or circuits. BCD Semiconductor Manufacturing Limited does not convey any license under its patent rights or other rights nor the rights of others.

MAIN SITE

- Headquarters

BCD Semiconductor Manufacturing Limited

No. 1600, Zi Xing Road, Shanghai Zizhu Science-based Industrial Park, 200241, China
Tel: +86-21-24162266, Fax: +86-21-24162277

- Wafer Fab

Shanghai SIM-BCD Semiconductor Manufacturing Co., Ltd.

800 Yi Shan Road, Shanghai 200233, China
Tel: +86-21-6485 1491, Fax: +86-21-5450 0008

REGIONAL SALES OFFICE

Shenzhen Office

Shanghai SIM-BCD Semiconductor Manufacturing Co., Ltd., Shenzhen Office
Room E, 5F, Noble Center, No.1006, 3rd Fuzhong Road, Futian District, Shenzhen,
518026, China
Tel: +86-755-8826 7951
Fax: +86-755-8826 7865

Taiwan Office

BCD Semiconductor (Taiwan) Company Limited
4F, 298-1, Rui Guang Road, Nei-Hu District, Taipei,
Taiwan
Tel: +886-2-2656 2808
Fax: +886-2-2656 2806

USA Office

BCD Semiconductor Corp.
30920 Huntwood Ave. Hayward,
CA 94544, USA
Tel : +1-510-324-2988
Fax: +1-510-324-2788

Компания «Океан Электроники» предлагает заключение долгосрочных отношений при поставках импортных электронных компонентов на взаимовыгодных условиях!

Наши преимущества:

- Поставка оригинальных импортных электронных компонентов напрямую с производств Америки, Европы и Азии, а так же с крупнейших складов мира;
- Широкая линейка поставок активных и пассивных импортных электронных компонентов (более 30 млн. наименований);
- Поставка сложных, дефицитных, либо снятых с производства позиций;
- Оперативные сроки поставки под заказ (от 5 рабочих дней);
- Экспресс доставка в любую точку России;
- Помощь Конструкторского Отдела и консультации квалифицированных инженеров;
- Техническая поддержка проекта, помощь в подборе аналогов, поставка прототипов;
- Поставка электронных компонентов под контролем ВП;
- Система менеджмента качества сертифицирована по Международному стандарту ISO 9001;
- При необходимости вся продукция военного и аэрокосмического назначения проходит испытания и сертификацию в лаборатории (по согласованию с заказчиком);
- Поставка специализированных компонентов военного и аэрокосмического уровня качества (Xilinx, Altera, Analog Devices, Intersil, Interpoint, Microsemi, Actel, Aeroflex, Peregrine, VPT, Syfer, Eurofarad, Texas Instruments, MS Kennedy, Miteq, Cobham, E2V, MA-COM, Hittite, Mini-Circuits, General Dynamics и др.);

Компания «Океан Электроники» является официальным дистрибьютором и эксклюзивным представителем в России одного из крупнейших производителей разъемов военного и аэрокосмического назначения «JONHON», а так же официальным дистрибьютором и эксклюзивным представителем в России производителя высокотехнологичных и надежных решений для передачи СВЧ сигналов «FORSTAR».



JONHON

«JONHON» (основан в 1970 г.)

Разъемы специального, военного и аэрокосмического назначения:

(Применяются в военной, авиационной, аэрокосмической, морской, железнодорожной, горно- и нефтедобывающей отраслях промышленности)

«FORSTAR» (основан в 1998 г.)

ВЧ соединители, коаксиальные кабели,
кабельные сборки и микроволновые компоненты:

(Применяются в телекоммуникациях гражданского и специального назначения, в средствах связи, РЛС, а так же военной, авиационной и аэрокосмической отраслях промышленности).



Телефон: 8 (812) 309-75-97 (многоканальный)

Факс: 8 (812) 320-03-32

Электронная почта: ocean@oceanchips.ru

Web: <http://oceanchips.ru/>

Адрес: 198099, г. Санкт-Петербург, ул. Калинина, д. 2, корп. 4, лит. А