

TS1100/01/02/03 Data Sheet

TS1100/01/02/03 Uni- and Bidirectional Current-Sense Amplifiers

The TS1100/01/02/03 Unidirectional and Bidirectional Current Sense Amplifiers consume a very low 0.68 μA supply current.

The TS1100 and TS1101 high-side current sense amplifiers (CSA) combine a 100 μV (max) input offset voltage (V_{OS}) and a 0.6% (max) gain error (GE), with both specifications optimized for any precision current measurement.

The TS1102 and TS1103 CSAs combine a 200 μV (max) V_{OS} and a 0.6% (max) GE for cost-sensitive applications.

For all high-side current sensing applications, the TS1100/01/02/03 CSAs are self-powered and feature a wide input common-mode voltage range from 2 to 27 V.

For the bidirectional CSAs, TS1101 and TS1103, a SIGN comparator digital output is provided that indicates the direction of current flow. All CSAs are specified for operation over the $-40\text{ }^{\circ}\text{C}$ to $+105\text{ }^{\circ}\text{C}$ temperature range.

Applications

- Power Management Systems
- Portable/Battery-Powered Systems
- Smart Chargers
- Battery Monitoring
- Overcurrent and Undercurrent Detection
- Remote Sensing
- Industrial Control

KEY FEATURES

- Low Supply Current
 - Current Sense Amplifier: 0.68 μA
 - I_{VDD} : 0.02 μA
- High Side Bidirectional and Unidirectional Current Sense Amplifier
- Wide CSA Input Common Mode Range: +2 V to +27 V
- Low CSA Input Offset Voltage: 100 μV (max) (TS1100 and TS1101 Only)
- Low Gain Error: 0.6% (max)
- Four Gain Options Available:
 - 25 V/V
 - 50 V/V
 - 100 V/V
 - 200 V/V
- 5-Lead and 6-Lead SOT23 Packaging



1. Ordering Information

Ordering Number ¹	Part Marking	Description	Gain V/V
TS1100-25EG5	TADJ	Unidirectional current sense amplifier ($V_{OS(MAX)} = 200 \mu V$)	25
TS1100-50EG5	TADK		50
TS1100-100EG5	TADL		100
TS1100-200EG5	TADM		200
TS1101-25EG6	TADN	Bidirectional current sense amplifier ($V_{OS(MAX)} = 200 \mu V$)	25
TS1101-50EG6	TADP		50
TS1101-100EG6	TADQ		100
TS1101-200EG6	TADR		200
TS1102-25EG5	TADS	Unidirectional current sense amplifier ($V_{OS(MAX)} = 300 \mu V$)	25
TS1102-50EG5	TADT		50
TS1102-100EG5	TADU		100
TS1102-200EG5	TADV		200
TS1101-25EG6	TADW	Bidirectional current sense amplifier ($V_{OS(MAX)} = 300 \mu V$)	25
TS1101-50EG6	TADX		50
TS1101-100EG6	TADY		100
TS1101-200EG6	TADZ		200

Note:

1. Adding the suffix, "T", to the part number (e.g., TS1101-25EG6T) denotes tape and reel.

2. System Overview

2.1 Typical Application Circuits



Figure 2.1. TS1100 and TS1102 Typical Application Circuit

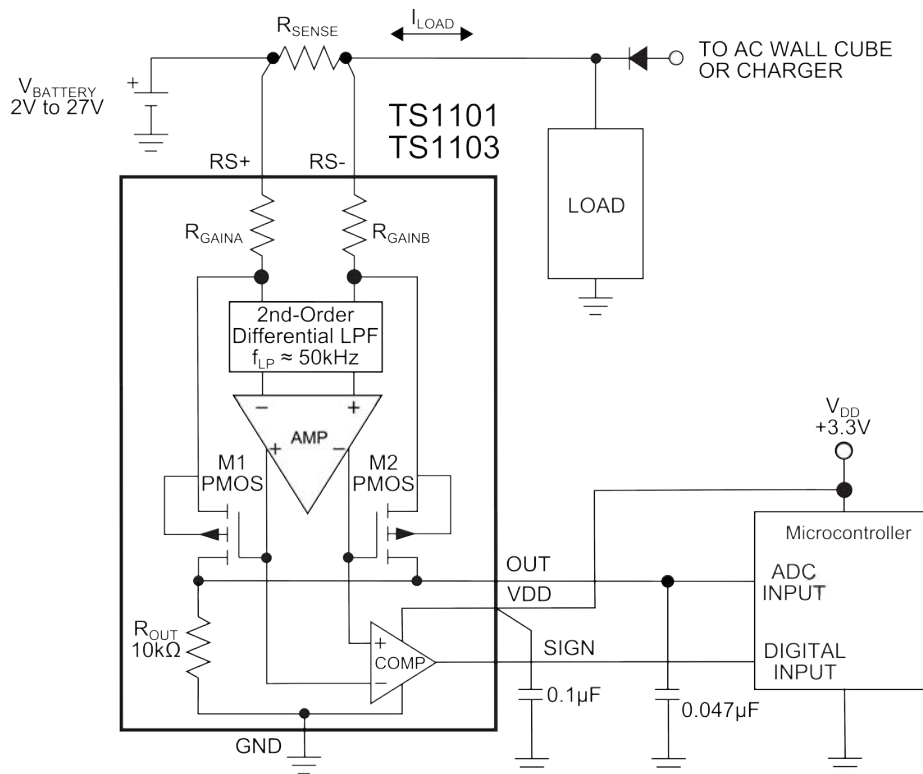


Figure 2.2. TS1101 and TS1103 Typical Application Circuit

2.2 Theory of Operation

The internal configuration of the TS1100/02 (a unidirectional high-side, current-sense amplifier) is based on a common operational amplifier circuit used for measuring load currents (in one direction) in the presence of high common-mode voltages. In the general case, a current-sense amplifier monitors the voltage caused by a load current through an external sense resistor and generates an output voltage as a function of that load current.

The internal configuration of the TS1101/03 (a bidirectional high-side, current-sense amplifier) is a variation of the TS1100/02 unidirectional current-sense amplifier. In the design of the TS1101/03, the input amplifier was reconfigured for fully differential input/output operation and a second low-threshold p-channel FET (M2) was added where the drain terminal of M2 is also connected to R_{OUT} . Therefore, the behavior of the TS1101/03 for when $V_{RS-} > V_{RS+}$ is identical for when $V_{RS+} > V_{RS-}$.

Referring to the typical application circuit, the inputs of the op-amp based circuit are connected across an external R_{SENSE} resistor that is used to measure load current. At the non-inverting input of the current-sense amplifier (the $RS+$ terminal), the applied voltage is $I_{LOAD} \times R_{SENSE}$. Since the $RS-$ terminal is the non-inverting input of the internal op-amp, op-amp feedback action forces the inverting input of the internal op-amp to the same potential. Therefore, the voltage drop across R_{SENSE} (V_{SENSE}) and the voltage drop across R_{GAINA} (at the $RS+$ terminal) are equal. Necessary for gain ratio matched, both R_{GAINA} and R_{GAINB} are the same value.

Since p-channel M1's source is connected to the inverting input of the internal op amp and since the voltage drop across R_{GAINA} is the same as the external V_{SENSE} , op amp feedback action drives the gate of M1 such that M1's drain-source current is equal to:

$$I_{DS(M1)} = \frac{V_{SENSE}}{R_{GAINA}}$$

or

$$I_{DS(M1)} = \frac{I_{LOAD} \times R_{SENSE}}{R_{GAINA}}$$

Since M1's drain terminal is connected to R_{OUT} , the output voltage of the current-sense amplifier at the OUT terminal is, therefore:

$$V_{OUT} = I_{LOAD} \times R_{SENSE} \times \frac{R_{OUT}}{R_{GAINA}}$$

For the TS1101 and TS1103, when the voltage at the $RS-$ terminal is greater than the voltage at the $RS+$ terminal, the external V_{SENSE} voltage drop is impressed upon R_{GAINB} . The voltage drop across R_{GAINB} is then converted into a current by M2 that then produces an output voltage across R_{OUT} . In this design, when M1 is conducting current ($V_{RS+} > V_{RS-}$), the TS1101/03's internal amplifier holds M2 OFF. When M2 is conducting current ($V_{RS-} > V_{RS+}$), the internal amplifier holds M1 OFF. In either case, the disabled FET does not contribute to the resultant output voltage.

The current-sense amplifier's gain accuracy is therefore the ratio match of R_{OUT} to $R_{GAIN[A/B]}$. For each of the four gain options available, Table 1 lists the values for R_{OUT} and $R_{GAIN[A/B]}$. The TS1101's output stage is protected against input overdrive by use of an output current-limiting circuit of 3 mA (typical) and a 7 V internal clamp protection circuit.

2.3 SIGN Comparator Output

As shown in the TS1101/03's block diagram, the design of the TS1101/03 incorporated one additional feature: an analog comparator whose inputs monitor the internal amplifier's differential output voltage. While the voltage at the TS1101/03's OUT terminal indicates the magnitude of the load current, the TS1101/03's SIGN output indicates the load current's direction. The SIGN output is a logic high when M1 is conducting current ($V_{RS+} > V_{RS-}$). Alternatively, the SIGN output is a logic low when M2 is conducting current ($V_{RS+} < V_{RS-}$). The SIGN comparator's transfer characteristic is illustrated in the figure below. Unlike other current-sense amplifiers that implement a OUT/ SIGN arrangement, the TS1101/03 exhibits no "dead zone" at I_{LOAD} switchover. The other attribute of the SIGN comparator's behavior is its propagation delay as a function of applied V_{SENSE} [$(V_{RS+} - V_{RS-})$ or $(V_{RS-} - V_{RS+})$]. As shown below, the SIGN comparator's propagation delay behavior is symmetric regardless of current-flow direction and is inversely proportional to V_{SENSE} .

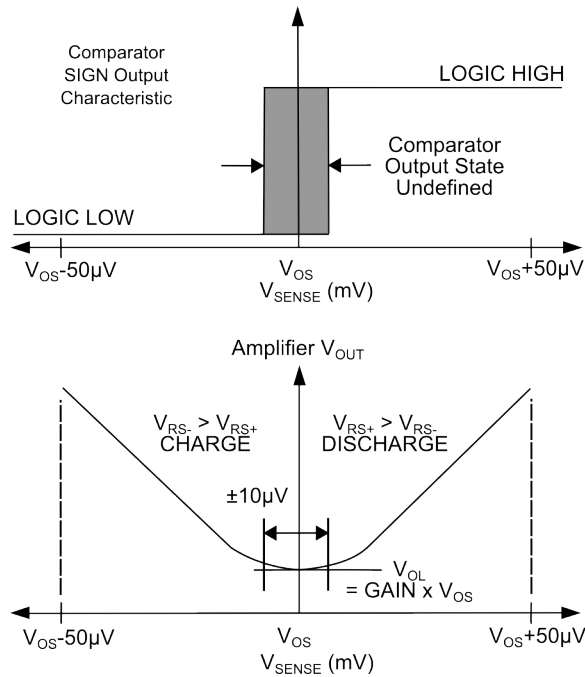


Figure 2.3. SIGN Comparator Transfer Characteristic and Propagation Delay



Figure 2.4. SIGN Comparator Propagation Delay vs. V_{SENSE}

2.4 Choosing the Sense Resistor

Selecting the optimal value for the external R_{SENSE} is based on the following criteria and for each commentary follows:

1. R_{SENSE} Voltage Loss
2. V_{OUT} Swing vs. Applied Input Voltage at V_{RS+} and Desired V_{SENSE}
3. Total I_{LOAD} Accuracy
4. Circuit Efficiency and Power Dissipation
5. R_{SENSE} Kelvin Connections

2.4.1 R_{SENSE} Voltage Loss

For the lowest IR power dissipation in R_{SENSE}, the smallest usable resistor value for R_{SENSE} should be selected.

2.4.2 V_{OUT} Swing vs. Applied Input Voltage at V_{RS+} and Desired V_{SENSE}

As there is no separate power supply pin for the current-sense amplifiers, the circuit draws its power from the voltage at its RS+ and RS- terminals. Therefore, the signal voltage at the OUT terminal is bounded by the minimum voltage applied at the RS+ terminal.

Therefore:

$$V_{OUT(max)} = V_{RS+(min)} - V_{SENSE(max)} - V_{OH(max)}$$

and

$$R_{SENSE} < \frac{V_{OUT(max)}}{GAIN \times I_{LOAD(max)}}$$

where the full-scale V_{SENSE} should be less than V_{OUT(MAX)}/GAIN at the application's minimum RS+ terminal voltage. For best performance with a 3.6 V power supply, R_{SENSE} should be chosen to generate a V_{SENSE} of: a) 120 mV (for the 25 V/V GAIN option), b) 60 mV (for the 50 V/V GAIN option), c) 30 mV (for the 100 V/V GAIN option), or d) 15 mV (for the 200 V/V GAIN option) at the full-scale I_{LOAD} current in each application. For the case where the minimum power supply voltage is higher than 3.6 V, each of the four full-scale V_{SENSE}s above can be increased.

2.4.3 Total Load Current Accuracy

In the current-sense amplifiers' linear region where V_{OUT} < V_{OUT(max)}, there are two specifications related to the circuit's accuracy: a) the input offset voltage and b) gain error (GE(max) = 0.6%). An expression for the current sense amplifiers' total error is given by:

$$V_{OUT} = [GAIN \times (1 \pm GE) \times V_{SENSE}] \pm (GAIN \times V_{OS})$$

A large value for R_{SENSE} permits the use of smaller load currents to be measured more accurately because the effects of offset voltages are less significant when compared to larger V_{SENSE} voltages. Due care though should be exercised as previously mentioned with large values of R_{SENSE}.

2.4.4 Circuit Efficiency and Power Dissipation

IR losses in R_{SENSE} can be large especially at high load currents. It is important to select the smallest, usable R_{SENSE} value to minimize power dissipation and to keep the physical size of R_{SENSE} small. If the external R_{SENSE} is allowed to dissipate significant power, then its inherent temperature coefficient may alter its design center value, thereby reducing load current measurement accuracy. Precisely because the current-sense amplifiers input stages were designed to exhibit a very low input offset voltage, small R_{SENSE} values can be used to reduce power dissipation and minimize local hot spots on the PCB.

2.4.5 R_{SENSE} Kelvin Connections

For optimal V_{SENSE} accuracy in the presence of large load currents, parasitic PCB track resistance should be minimized. Kelvin-sense PCB connections between R_{SENSE} and the current-sense amplifier's $RS+$ and $RS-$ terminals are strongly recommended. The drawing below illustrates the connections between the current-sense amplifier and the current-sense resistor. The PCB layout should be balanced and symmetrical to minimize wiring-induced errors. In addition, the pcb layout for R_{SENSE} should include good thermal management techniques for optimal R_{SENSE} power dissipation.



Figure 2.5. Making PCB Connections to R_{SENSE}

2.4.6 R_{SENSE} Composition

Current-shunt resistors are available in metal film, metal strip, and wire-wound constructions. Wire-wound current-shunt resistors consist of a wire spirally wound onto a core. As a result, these types of current shunt resistors exhibit the largest self inductance. In applications where the load current contains high-frequency transients, metal film or metal strip current-sense resistors are recommended.

2.4.7 Internal Noise Filter

In power management and motor control applications, current-sense amplifiers are required to measure load currents accurately in the presence of both externally-generated differential and common-mode noise. An example of differential-mode noise that can appear at the inputs of a current-sense amplifier is high-frequency ripple. High-frequency ripple (whether introduced into the circuit inductively or capacitively) can produce a differential-mode voltage drop across the external current-shunt resistor (R_{SENSE}). An example of externally-generated, common-mode noise is the high-frequency output ripple of a switching regulator that can result in the injection of common-mode noise into both inputs of a current-sense amplifier.

Even though the load current signal bandwidth is dc, the input stage of any current-sense amplifier can rectify unwanted out-of-band noise that can result in an apparent error voltage at its output. This rectification of noise signals occurs because all amplifier input stages are constructed with transistors that can behave as high-frequency signal detectors in the same way P-N junction diodes were used as RF envelope detectors in early radio designs. The amplifier's internal common-mode rejection is usually sufficient to defeat injected common-mode noise.

To counter the effects of externally-injected noise, it has always been good engineering practice to add external low-pass filters in series with the inputs of a current-sense amplifier. In the design of discrete current-sense amplifiers, resistors used in the external low-pass filters were incorporated into the circuit's overall design to compensate for any input-bias-current-generated offset voltage and gain errors.

With the advent of monolithic current-sense amplifiers, the addition of external low-pass filters in series with the current-sense amplifier's inputs only introduces additional offset voltage and gain errors. To minimize or altogether eliminate the need for external low-pass filters and to maintain low input offset voltage and gain errors, the current-sense amplifiers incorporate a 50 kHz (typ) 2nd-order differential low-pass filter as shown in the Block Diagrams.

2.4.8 Output Filter Capacitor

If the current-sense amplifiers are a part of a signal acquisition system in which their OUT terminal is connected to the input of an ADC with an internal, switched-capacitor track-and-hold circuit, the internal track-and-hold's sampling capacitor can cause voltage droop at V_{OUT} . A good-quality 22 to 100 nF ceramic capacitor from the OUT terminal to GND forms a low-pass filter with the current-sense amplifier's R_{OUT} and should be used to minimize voltage droop (holding V_{OUT} constant during the sample interval). Using a capacitor on the OUT terminal will also reduce the small-signal bandwidth as well as band-limiting amplifier noise.

2.4.9 PC Board Layout and Power Supply Bypassing

For optimal circuit performance, the current-sense amplifiers should be in very close proximity to the external current-sense resistor, and the PCB tracks from R_{SENSE} to the $RS+$ and the $RS-$ input terminals should be short and symmetric. Also recommended are a ground plane and surface mount resistors and capacitors.

3. Electrical Characteristics

Table 3.1. Recommended Operating Conditions¹

Parameter	Symbol	Conditions	Min	Typ	Max	Units
System Specifications						
Operating Voltage Range	VDD		1.25		5.5	V
Common-Mode Input Range	V _{CM}	V _{RS+} , Guaranteed by CMRR	2		27	V
Note:						
1. All devices 100% production tested at T _A = +25 °C. Limits over Temperature are guaranteed by design and characterization.						

Table 3.2. DC Characteristics¹

Parameter	Symbol	Conditions	Min	Typ	Max	Units		
System Specifications								
No Load Input Supply Current	I _{RS+} + I _{RS-} ²	T _A = +25 °C		—	0.68	0.85	μA	
				—	—	1.0		
		V _{RS+} = 25 V	T _A = +25 °C		—	—		1.0
			—	—	1.2			
I _{VDD}			—	0.02	0.2			
Current Sense Amplifier								
Common Mode Rejection Ratio	CMRR	2 V < V _{RS+} < 27 V		120	130	—	dB	
Input Offset Voltage ³	V _{OS}	TS1100 and TS1101	T _A = +25 °C		—	±30	±100	μV
			-40 °C < T _A < +85 °C		—	—	±200	
		TS1102 and TS1103	T _A = +25 °C		—	±30	±200	
			-40 °C < T _A < + 85 °C		—	—	±300	
V _{OS} Hysteresis ⁴	V _{HYS}	T _A = +25 °C		—	10	—	μV	
Gain	G	TS1100, TS1101, TS1102, TS1103	TS110x-25		—	25	—	V/V
			TS110x-50		—	50	—	
			TS110x-100		—	100	—	
			TS110x-200		—	200	—	
Gain Error ⁵	GE	T _A = +25 °C		—	±0.1	±0.6	%	
		-40 °C < T _A < +85 °C		—		±1	%	
Gain Match ⁵	GM	T _A = +25 °C		—	±0.2	±0.6	%	
		-40 °C < T _A < +85 °C		—		±1	%	
Output Resistance ⁶	R _{OUT}	TS110x-25/50/100		28.0	40.0	52	kΩ	
		TS110x-200		14.0	20.0	26.4		

Parameter	Symbol	Conditions	Min	Typ	Max	Units	
OUT Low Voltage	V_{AOL}	TS1100 and TS1101	Gain = 25	—	—	5	mV
			Gain = 50	—	—	10	
			Gain = 100	—	—	20	
			Gain = 200	—	—	40	
		TS1102 and TS1103	Gain = 25	—	—	7.5	
			Gain = 50	—	—	15	
			Gain = 100	—	—	30	
			Gain = 200	—	—	60	
OUT High Voltage	V_{AOH}	$V_{OH} = V_{RS-} - V_{OUT}$	—	0.05	0.2	V	
Sign Comparator Parameters (TS1106 Only)							
Output Low Voltage	V_{COL}	$V_{DD} = 1.25\text{ V}, I_{SINK} = 5\ \mu\text{A}$	—	—	0.2	V	
		$V_{DD} = 1.8\text{ V}, I_{SINK} = 35\ \mu\text{A}$	—	—			
Output High Voltage	V_{COH}	$V_{DD} = 1.25\text{ V}, I_{SOURCE} = 5\ \mu\text{A}$	$V_{DD} - 0.2$	—	—	V	
		$V_{DD} = 1.8\text{ V}, I_{SOURCE} = 35\ \mu\text{A}$		—	—		
Notes:							
1. $V_{RS+} = 3.6\text{ V}$; $V_{SENSE} = (V_{RS+} - V_{RS-}) = 0\text{ V}$; $C_{OUT} = 47\text{ nF}$; $V_{DD} = 1.8\text{ V}$; $T_A = -40\text{ }^\circ\text{C}$ to $+105\text{ }^\circ\text{C}$, unless otherwise noted. Typical values are at $T_A = +25\text{ }^\circ\text{C}$.							
2. Extrapolated to $V_{OUT}=0\text{V}$. $I_{RS++}+I_{RS-}$ is the total current into the $RS+$ and the $RS-$ pins.							
3. Input offset voltage V_{OS} is extrapolated from a $V_{OUT(+)}$ measurement with V_{SENSE} set to $+1\text{ mV}$ and a $V_{OUT(-)}$ measurement with V_{SENSE} set to -1 mV ; vis-a-viz, Average $V_{OS} = (V_{OUT(-)} - V_{OUT(+)}) / (2 \times \text{GAIN})$.							
4. Amplitude of V_{SENSE} lower or higher than V_{OS} required to cause the comparator to switch output states.							
5. Gain error is calculated by applying two values for V_{SENSE} and then calculating the error of the actual slope vs. the ideal transfer characteristic. TS1100 and TS1102 only applies positive V_{SENSE} values.							
For GAIN = 25, the applied V_{SENSE} is 20 mV and 120 mV.							
For GAIN = 50, the applied V_{SENSE} is 10 mV and 60 mV.							
For GAIN = 100, the applied V_{SENSE} is 5 mV and 30 mV.							
For GAIN = 200, the applied V_{SENSE} is 2.5 mV and 15 mV.							
6. The device is stable for any capacitance load at V_{OUT} .							

Table 3.3. AC Characteristics¹

Parameter	Symbol	Conditions	Min	Typ	Max	Units	
Current Sense Amplifier							
Output Settling time	t_{OUT_s}	1% Final value, $V_{OUT} = 3\text{ V}$	Gain = 25, 50, 100	—	2.2	—	msec
			Gain = 200	—	4.3	—	msec
Sign Comparator Parameters (TS1101 and TS1103 Only)							
Propagation Delay	t_{SIGN_PD}	$V_{SENSE} = \pm 1\text{ mV}$	—	3	—	msec	
		$V_{SENSE} = \pm 10\text{ mV}$	—	0.4	—	msec	
Notes:							
1. $V_{RS+} = 3.6\text{ V}$; $V_{SENSE} = (V_{RS+} - V_{RS-}) = 0\text{ V}$; $C_{OUT} = 47\text{ nF}$; $V_{DD} = 1.8\text{ V}$; $T_A = -40\text{ }^\circ\text{C}$ to $+105\text{ }^\circ\text{C}$, unless otherwise noted. Typical values are at $T_A = +25\text{ }^\circ\text{C}$.							

Table 3.4. Thermal Conditions

Parameter	Symbol	Conditions	Min	Typ	Max	Units
Operating Temperature Range	T_{OP}		-40	—	+105	$^\circ\text{C}$

Table 3.5. Absolute Maximum Limits

Parameter	Symbol	Conditions	Min	Typ	Max	Units
RS+ Voltage	V_{RS+}		-0.3	—	27	V
RS- Voltage	V_{RS-}		-0.3	—	27	V
Supply Voltage	V_{DD}		-0.3	—	6	V
OUT Voltage	V_{OUT}		-0.3	—	6	V
SIGN Voltage (TS1106 Only)	V_{SIGN}		-0.3	—	6	V
RS+ to RS- Voltage	$V_{RS+} - V_{RS-}$		—	—	28	V
Short Circuit Duration: OUT to GND			—	—	Continuous	
Continuous Input Current (Any Pin)			-20	—	20	mA
Junction Temperature			—	—	150	$^\circ\text{C}$
Storage Temperature Range			-65	—	150	$^\circ\text{C}$
Lead Temperature (Soldering, 10 s)			—	—	300	$^\circ\text{C}$
Soldering Temperature (Reflow)			—	—	260	$^\circ\text{C}$
ESD Tolerance						
Human Body Model			—	—	2000	V
Machine Model			—	—	200	V

For the following graphs, $V_{RS+} = V_{RS-} = 3.6\text{ V}$; $T_A = +25\text{ C}$ unless otherwise noted.



Gain Error vs Common Mode Voltage



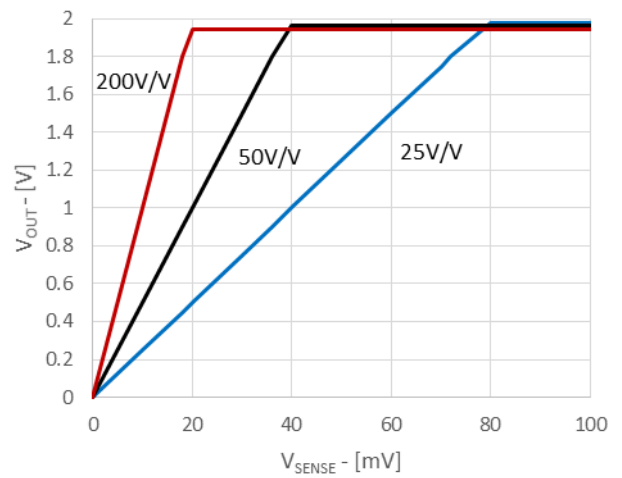
Gain Error vs Temperature



V_{OUT} vs V_{SENSE} , $V_{RS+} = 3.6V$



V_{OUT} vs V_{SENSE} , $V_{RS+} = 2V$



Small Signal Gain vs Frequency



Common-Mode Rejection vs Frequency



Small-Signal Pulse Response, Gain = 25



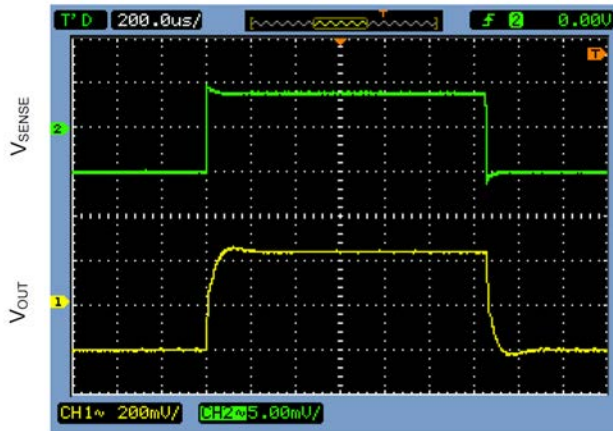
200µs/DIV

Large-Signal Pulse Response, Gain = 25



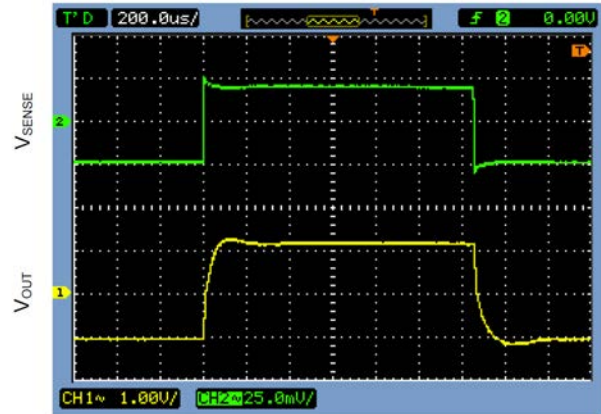
200µs/DIV

Small-Signal Pulse Response, Gain = 50



200µs/DIV

Large-Signal Pulse Response, Gain = 50



200µs/DIV

Small-Signal Pulse Response, Gain = 100



200µs/DIV

Large-Signal Pulse Response, Gain = 100



200µs/DIV

4. Pin Descriptions



Table 4.1. Pin Descriptions

Pin	Part Number	Label	Function
1	TS1100	GND	Ground. Connect this pin to analog ground.
	TS1101		
	TS1102		
	TS1103		
2	TS1100	GND	Ground. Connect this pin to analog ground.
	TS1102		
	TS1101	SIGN	Comparator Output, push-pull; SIGN is HIGH for $(V_{RS+} > V_{RS-})$ and LOW for $(V_{RS-} > V_{RS+})$.
	TS1103		
3	TS1100	OUT	Output Voltage. V_{OUT} is proportional to $V_{SENSE} = (V_{RS+} - V_{RS-})$ or $(V_{RS-} - V_{RS+})$.
	TS1101		
	TS1102		
	TS1103		
4	TS1100	RS-	External Sense Resistor Load-Side Connection
	TS1101		
	TS1102		
	TS1103		
5	TS1100	RS+	External Sense Resistor Power-Side Connection
	TS1102		
	TS1101	VDD	SIGN Comparator External Power Supply Pin; Connect this pin to system's logic VDD supply.
	TS1103		
6	TS1100	N/A	N/A
	TS1102		
	TS1101	RS+	External Sense Resistor Power-Side Connection
	TS1103		

5. Packaging

5.1 TS1100 and TS1102 Package Dimensions



Figure 5.1. TS1100 and TS1102 Package Diagram

Table 5.1. TS1100 and TS1102 Package Dimensions

Dimension	Min	Max
A	—	1.45
A1	0.00	0.15
A2	0.90	1.30
b	0.30	0.50
c	0.09	0.20
D	2.90 BSC	
E	2.80 BSC	
E1	1.60 BSC	
e	0.95 BSC	
e1	1.90 BSC	
L	0.30	0.60
L2	0.25 BSC	
θ	0°	8°
aaa	0.15	
bbb	0.20	
ccc	0.10	
ddd	0.20	

Dimension	Min	Max
<p>Note:</p> <ol style="list-style-type: none">1. All dimensions shown are in millimeters (mm) unless otherwise noted.2. Dimensioning and Tolerancing per ANSI Y14.5M-1994.3. Recommended card reflow profile is per the JEDEC/IPC J-STD-020D specification for Small Body Components.4. This drawing conforms to the JEDEC Solid State Outline MO-178, Variation AA.		

5.2 TS1101 and TS1103 Package Dimensions

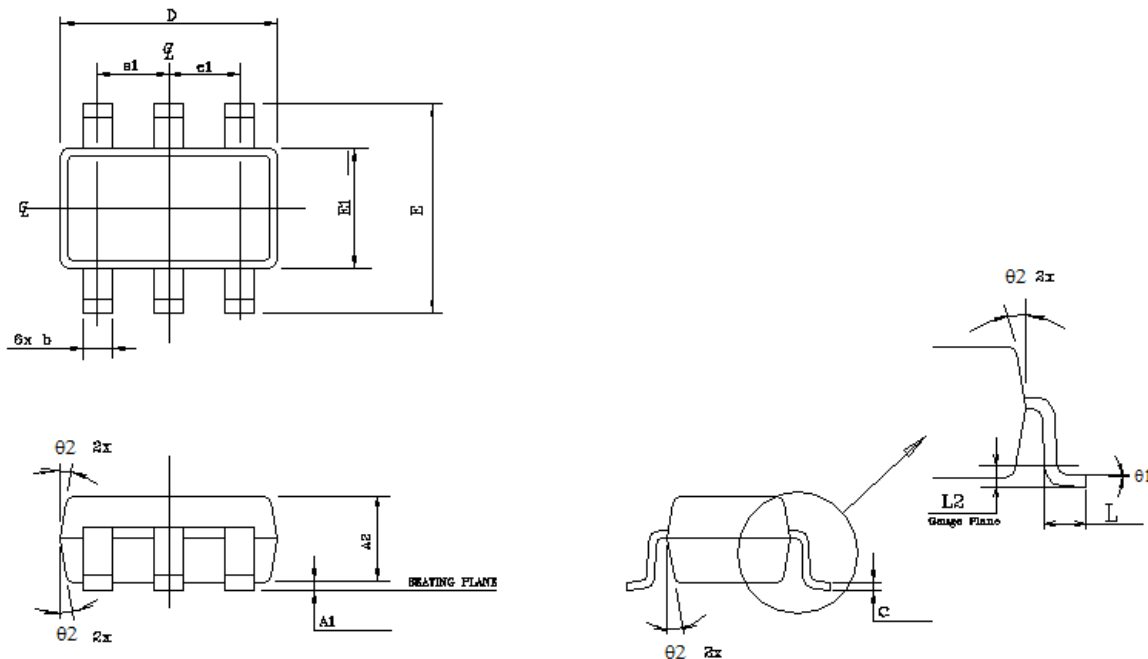


Figure 5.2. TS1101 and TS1103 Package Diagram

Table 5.2. TS1101 and TS1103 Package Dimensions

Dimension	Min	Max
A1	0.06	0.15
A2	1.00	1.30
b	0.35	0.50
c	0.127	
D	2.80	2.90
E	2.60	3.00
E1	1.50	1.70
e1	0.950 TYP	
L	0.35	0.55
L2	0.20 BSC	
theta 1	0°	3°
theta 2	10° TYP	

Note:

1. All dimensions shown are in millimeters (mm) unless otherwise noted.
2. Dimensioning and Tolerancing per ANSI Y14.5M-1994.
3. Recommended card reflow profile is per the JEDEC/IPC J-STD-020D specification for Small Body Components.
4. This drawing conforms to the JEDEC Solid State Outline MO-178, Variation AA.

6. Top and Bottom Marking: 5 and 6-Pin Packages



Mark Method:	Laser	
Font Size:	0.60 mm (24 mils)	
Line 1 Mark Format:	Device Identifier	TADT
Line 5 Backside:	TTTT = Mfg Code	Manufacturing Code from the Assembly Purchase Order Form



Mark Method:	Laser	
Font Size:	0.60 mm (24 mils)	
Line 1 Mark Format:	Device Identifier	TADT
Line 5 Backside:	TTTT = Mfg Code	Manufacturing Code from the Assembly Purchase Order Form

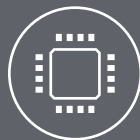
1. Ordering Information	1
2. System Overview	2
2.1 Typical Application Circuits	2
2.2 Theory of Operation	3
2.3 SIGN Comparator Output	4
2.4 Choosing the Sense Resistor	5
2.4.1 R_{SENSE} Voltage Loss	5
2.4.2 V_{OUT} Swing vs. Applied Input Voltage at V_{RS+} and Desired V_{SENSE}	5
2.4.3 Total Load Current Accuracy	5
2.4.4 Circuit Efficiency and Power Dissipation	5
2.4.5 R_{SENSE} Kelvin Connections	6
2.4.6 R_{SENSE} Composition	6
2.4.7 Internal Noise Filter	6
2.4.8 Output Filter Capacitor	6
2.4.9 PC Board Layout and Power Supply Bypassing	6
3. Electrical Characteristics	7
4. Pin Descriptions	13
5. Packaging	14
5.1 TS1100 and TS1102 Package Dimensions	14
5.2 TS1101 and TS1103 Package Dimensions	16
6. Top and Bottom Marking: 5 and 6-Pin Packages	17



Smart.
Connected.
Energy-Friendly



Products
www.silabs.com/products



Quality
www.silabs.com/quality



Support and Community
community.silabs.com

Disclaimer

Silicon Laboratories intends to provide customers with the latest, accurate, and in-depth documentation of all peripherals and modules available for system and software implementers using or intending to use the Silicon Laboratories products. Characterization data, available modules and peripherals, memory sizes and memory addresses refer to each specific device, and "Typical" parameters provided can and do vary in different applications. Application examples described herein are for illustrative purposes only. Silicon Laboratories reserves the right to make changes without further notice and limitation to product information, specifications, and descriptions herein, and does not give warranties as to the accuracy or completeness of the included information. Silicon Laboratories shall have no liability for the consequences of use of the information supplied herein. This document does not imply or express copyright licenses granted hereunder to design or fabricate any integrated circuits. The products must not be used within any Life Support System without the specific written consent of Silicon Laboratories. A "Life Support System" is any product or system intended to support or sustain life and/or health, which, if it fails, can be reasonably expected to result in significant personal injury or death. Silicon Laboratories products are generally not intended for military applications. Silicon Laboratories products shall under no circumstances be used in weapons of mass destruction including (but not limited to) nuclear, biological or chemical weapons, or missiles capable of delivering such weapons.

Trademark Information

Silicon Laboratories Inc., Silicon Laboratories, Silicon Labs, SiLabs and the Silicon Labs logo, CMEMS®, EFM, EFM32, EFR, Energy Micro, Energy Micro logo and combinations thereof, "the world's most energy friendly microcontrollers", Ember®, EZLink®, EZMac®, EZRadio®, EZRadioPRO®, DSPLL®, ISOmodem®, Precision32®, ProSLIC®, SiPHY®, USBXpress® and others are trademarks or registered trademarks of Silicon Laboratories Inc. ARM, CORTEX, Cortex-M3 and THUMB are trademarks or registered trademarks of ARM Holdings. Keil is a registered trademark of ARM Limited. All other products or brand names mentioned herein are trademarks of their respective holders.



Silicon Laboratories Inc.
400 West Cesar Chavez
Austin, TX 78701
USA

<http://www.silabs.com>

Компания «Океан Электроники» предлагает заключение долгосрочных отношений при поставках импортных электронных компонентов на взаимовыгодных условиях!

Наши преимущества:

- Поставка оригинальных импортных электронных компонентов напрямую с производств Америки, Европы и Азии, а так же с крупнейших складов мира;
- Широкая линейка поставок активных и пассивных импортных электронных компонентов (более 30 млн. наименований);
- Поставка сложных, дефицитных, либо снятых с производства позиций;
- Оперативные сроки поставки под заказ (от 5 рабочих дней);
- Экспресс доставка в любую точку России;
- Помощь Конструкторского Отдела и консультации квалифицированных инженеров;
- Техническая поддержка проекта, помощь в подборе аналогов, поставка прототипов;
- Поставка электронных компонентов под контролем ВП;
- Система менеджмента качества сертифицирована по Международному стандарту ISO 9001;
- При необходимости вся продукция военного и аэрокосмического назначения проходит испытания и сертификацию в лаборатории (по согласованию с заказчиком);
- Поставка специализированных компонентов военного и аэрокосмического уровня качества (Xilinx, Altera, Analog Devices, Intersil, Interpoint, Microsemi, Actel, Aeroflex, Peregrine, VPT, Syfer, Eurofarad, Texas Instruments, MS Kennedy, Miteq, Cobham, E2V, MA-COM, Hittite, Mini-Circuits, General Dynamics и др.);

Компания «Океан Электроники» является официальным дистрибьютором и эксклюзивным представителем в России одного из крупнейших производителей разъемов военного и аэрокосмического назначения «JONHON», а так же официальным дистрибьютором и эксклюзивным представителем в России производителя высокотехнологичных и надежных решений для передачи СВЧ сигналов «FORSTAR».



JONHON

«JONHON» (основан в 1970 г.)

Разъемы специального, военного и аэрокосмического назначения:

(Применяются в военной, авиационной, аэрокосмической, морской, железнодорожной, горно- и нефтедобывающей отраслях промышленности)

«FORSTAR» (основан в 1998 г.)

ВЧ соединители, коаксиальные кабели, кабельные сборки и микроволновые компоненты:

(Применяются в телекоммуникациях гражданского и специального назначения, в средствах связи, РЛС, а так же военной, авиационной и аэрокосмической отраслях промышленности).



Телефон: 8 (812) 309-75-97 (многоканальный)

Факс: 8 (812) 320-03-32

Электронная почта: ocean@oceanchips.ru

Web: <http://oceanchips.ru/>

Адрес: 198099, г. Санкт-Петербург, ул. Калинина, д. 2, корп. 4, лит. А