

# LOW EMI CLOCK GENERATOR

# MK5811C

## Description

The MK5811C device generates a low EMI output clock from a clock or crystal input. The device is designed to dither a high emissions clock to lower EMI in consumer applications. Using IDT's proprietary mix of analog and digital Phase Locked Loop (PLL) technology, the device spreads the frequency spectrum of the output and reduces the frequency amplitude peaks by several dB. The MK5811C offers both centered and down spread from a high-speed clock input.

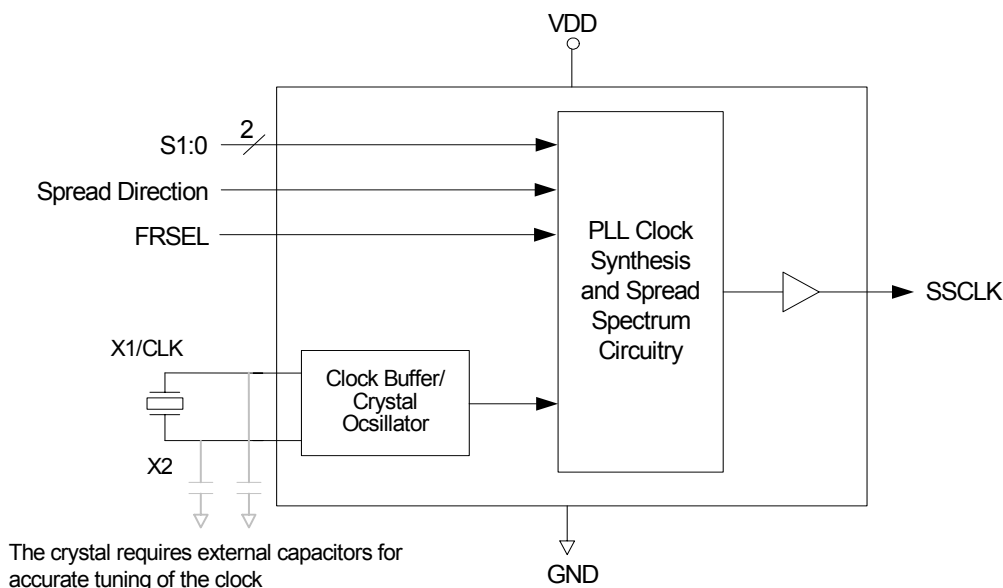
For different multiplier configurations, use the MK5812 (2x) or MK5814C (4x).

IDT offers many other clocks for computers and computer peripherals. Consult IDT when you need to remove crystals and oscillators from your board.

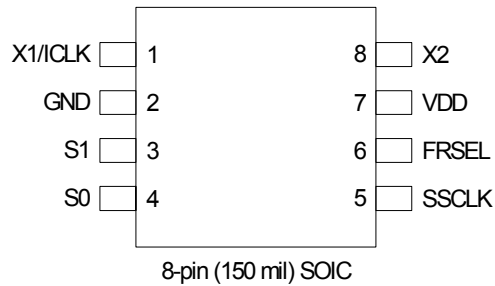
## Features

- Packaged in 8-pin SOIC
- Pb (lead) free package, RoHS compliant
- Provides a spread spectrum output clock
- Supports printers and flat panel controllers
- Accepts a clock or crystal input (provides same frequency dithered output)
- Input frequency range of 4 to 32 MHz
- Output frequency range of 4 to 32 MHz
- 1X frequency multiplication
- Center and down spread
- Peak reduction by 8 dB to 16 dB typical on 3rd through 19th odd harmonics
- Low EMI feature can be disabled
- Operating voltage of 3.3 V
- Advanced, low-power CMOS process
- Industrial temperature range available (-40 to +85°C)

## Block Diagram



## Pin Assignment



## Spread Direction and Spread Percentage

S1 Pin 3	S0 Pin 4	Spread Direction	Spread Percentage
0	0	Center	±1.4
0	M	Center	±1.1
0	1	Center	±0.6
M	0	Center	±0.5
M	M	No Spread	-
M	1	Down	-1.6
1	0	Down	-2.0
1	M	Down	-0.7
1	1	Down	-3.0

0 = connect to GND

M = unconnected (floating)

1 = connect directly to VDD

## Frequency Selection

Product	FRSEL (pin 6)	Input Freq. Range	Multiplier	Output Freq. Range
MK5811C	0	4.0 to 8.0 MHz	X1	4.0 to 8.0 MHz
	1	8.0 to 16.0MHz	X1	8.0 to 16.0MHz
	M	16.0 to 32.0MHz	X1	16.0 to 32.0MHz
MK5812 <sup>1</sup>	0	4.0 to 8.0 MHz	X2	8.0 to 16.0MHz
	1	8.0 to 16.0MHz	X2	16.0 to 32.0MHz
	M	16.0 to 32.0MHz	X2	32.0 to 64.0MHz
MK5814C <sup>1</sup>	0	4.0 to 8.0 MHz	X4	16.0 to 32.0MHz
	1	8.0 to 16.0MHz	X4	32.0 to 64.0MHz
	M	16.0 to 32.0MHz	X4	64.0 to 128MHz

0 = connect to GND

M = unconnected (floating)

1 = connect directly to VDD

Note 1: The information in this datasheet does not apply to the MK5812 and MK5814C as each have independent datasheets available at [www.idt.com](http://www.idt.com).

## Pin Descriptions

Pin Number	Pin Name	Pin Type	Pin Description
1	X1/ICLK	Input	Connect to 4-32 MHz crystal or clock.
2	GND	Power	Connect to ground.
3	S1	Input	Function select 1 input. Selects spread amount and direction per table above. (default-internal mid-level).
4	S0	Input	Function select 0 input. Selects spread amount and direction per table above. (default-internal mid-level).
5	SSCLK	Output	Clock output with Spread spectrum
6	FRSEL	Input	Function select for input frequency range. Default to mid level "M".
7	VDD	Power	Connect to +3.3 V.
8	X2	XO	Crystal connection to 4-32 MHz crystal. Leave unconnected for clock

## External Components

The MK5811C requires a minimum number of external components for proper operation.

### Decoupling Capacitor

A decoupling capacitor of 0.01 $\mu$ F must be connected between VDD and GND on pins 7 and 2. Connect the capacitor as close to these pins as possible. For optimum device performance, mount the decoupling capacitor on the component side of the PCB. Avoid the use of vias in the decoupling circuit.

### Series Termination Resistor

Use series termination when the PCB trace between the clock output and the load is over 1 inch. To series terminate a 50 $\Omega$  trace (a commonly used trace impedance), place a 20 $\Omega$  resistor in series with the clock line. Place the resistor as close to the clock output pin as possible. The nominal impedance of the clock output is 30 $\Omega$ .

### Tri-level Select Pin Operation

The S1 and S0 select pins are tri-level, meaning that they have three separate states to make the selections shown in the table on page 2. To select the M (mid) level, the connection to these pins must be eliminated by either floating them originally, or tri-stating the GPIO pins which drive the select pins.

## PCB Layout Recommendations

For optimum device performance and lowest output phase noise, observe the following guidelines:

- 1) Mount the 0.01 $\mu$ F decoupling capacitor on the component side of the board as close to the VDD pin as possible. No vias should be used between the decoupling capacitor and VDD pin. The PCB trace to the VDD pin and the PCB trace to the ground via should be kept as short as possible.
- 2) To minimize EMI, place the 20 $\Omega$  series-termination resistor (if needed) close to the clock output.
- 3) An optimum layout is one with all components on the same side of the board, thus minimizing vias through other signal layers. Other signal traces should be routed away from the MK5811C device. This includes signal traces located underneath the device, or on layers adjacent to the ground plane layer used by the device.

## Crystal Information

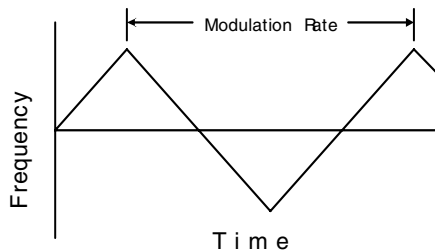
The crystal used should be a fundamental mode (do not use third overtone), parallel resonant crystal. To optimize the initial accuracy, connect crystal capacitors from pins X1 to ground and X2 to ground. The value of these capacitors is given by the following equation:

$$\text{Crystal caps (pF)} = (C_L - 6) \times 2$$

In the equation,  $C_L$  is the crystal load capacitance. For example, a crystal with a 16 pF load capacitance uses two 20 pF  $[(16-6) \times 2]$  capacitors.

## Spread Spectrum Profile

The MK5811C is a low EMI clock generator using a optimized frequency slew rate algorithm to facilitate down stream tracking of zero delay buffers and other PLL devices.



## Modulation Rate

Spread Spectrum Clock Generators utilize frequency modulation (FM) to distribute energy over a specific band of frequencies. The maximum frequency of the clock ( $f_{max}$ ) and minimum frequency of the clock ( $f_{min}$ ) determine this band of frequencies. The time required to transition from  $f_{min}$  to  $f_{max}$  and back to  $f_{min}$  is the period of the Modulation Rate. The Modulation Rate of SSCG clocks are generally referred to in terms of frequency, or

$$f_{mod} = 1/T_{mod}$$

The input clock frequency,  $f_{in}$ , and the internal divider determine the Modulation Rate.

The Spread Spectrum modulation Rate,  $f_{mod}$ , is given by the following formula:

$$f_{mod} = f_{in}/DR$$

where;  $f_{mod}$  is the Modulation Rate,  $f_{in}$  is the Input Frequency and DR is the Divider Ratio as given in the "Modulation Rate Divider Ratios" table. Notice that Input Frequency Range is set by FRSEL.

## Modulation Rate Divider Ratios

FRSEL	Input Freq. Range	Divider Ratio (DR)
0	4 to 8 MHz	128
1	8 to 16 MHz	256
M	16 to 32 MHz	512

## Absolute Maximum Ratings

Stresses above the ratings listed below can cause permanent damage to the MK5811C. These ratings, which are standard values for IDT commercially rated parts, are stress ratings only. Functional operation of the device, at these or any other conditions, above those indicated in the operational sections of the specifications is not implied. Exposure to absolute maximum rating conditions for extended periods can affect product reliability. Electrical parameters are guaranteed only over the recommended operating temperature range.

Item	Rating
Supply Voltage, VDD	7 V
All Inputs and Outputs	-0.5 V to VDD+0.5 V
Ambient Operating Temperature	-40 to +85° C
Storage Temperature	-65 to +150° C
Junction Temperature	125° C
Soldering Temperature	260° C

## Recommended Operation Conditions

Parameter	Min.	Typ.	Max.	Units
Ambient Operating Temperature	-40		+85	°C
Power Supply Voltage (measured in respect to GND)	+3.0		3.63	V

## DC Electrical Characteristics

Unless stated otherwise, VDD = 3.3 V ±10%, Ambient Temperature -40 to +85° C

Parameter	Symbol	Conditions	Min.	Typ.	Max.	Units
Operating Voltage	VDD		3.0	3.3	3.63	V
Supply Current	IDD	No load, at 3.3 V, Fin=12 MHz		23	25	mA
		No load, at 3.3 V, Fin=24 MHz			30	mA
		No load, at 3.3 V, Fin=32 MHz			35	mA
Input High Voltage	V <sub>IH</sub>		0.85VDD	VDD	VDD	V
Input middle Voltage	V <sub>IHM</sub>		0.4VDD	0.5VDD	0.6VDD	V
Input Low Voltage	V <sub>IL</sub>		0.0	0.0	0.15VDD	V
Output High Voltage	V <sub>OH</sub>	CMOS, I <sub>OH</sub> = 12 mA	2.4			V
Output High Voltage	V <sub>OH</sub>	I <sub>OH</sub> = 24 mA	2.0			V
Output Low Voltage	V <sub>OL</sub>	I <sub>OL</sub> = -12 mA			0.4	V
		I <sub>OL</sub> = -24 mA			1.2	V
Input Capacitance	C <sub>IN1</sub>	S0, S1, FRSEL pins		4	6	pF
	C <sub>IN2</sub>	X1, X2 pins		6	9	pF
Nominal Output Impedance	Z <sub>O</sub>			30		Ω

## AC Electrical Characteristics

Unless stated otherwise,  $V_{DD} = 3.3\text{ V} \pm 10\%$ , Ambient Temperature  $0\text{ to }+85^\circ\text{ C}$ ,  $C_L = 15\text{ pF}$

Parameter	Symbol	Conditions	Min.	Typ.	Max.	Units
Input Clock Frequency			4	12	32	MHz
Output Clock Frequency			4	12	32	MHz
Input Clock Duty Cycle		Time above $V_{DD}/2$	40		60	%
Output Clock Duty Cycle		Time above 1.5 V	45	50	55	%
Cycle-to-cycle Jitter <sup>1</sup>		$F_{in} = 4\text{ MHz}$ , $F_{out} = 4\text{ MHz}$		350	800	ps
Cycle-to-cycle Jitter <sup>1</sup>		$F_{in} = 8\text{ MHz}$ , $F_{out} = 8\text{ MHz}$		250	450	ps
Output Rise Time	$t_R$	0.4 to 2.4 V		4.4		ns
Output Fall Time	$t_F$	2.4 to 0.4 V		3.57		ns
EMI Peak Frequency Reduction				8 to 16		dB

Note 1: Spread is enabled.

## AC Electrical Characteristics

Unless stated otherwise,  $V_{DD} = 3.3\text{ V} \pm 10\%$ , Ambient Temperature  $-40\text{ to }+85^\circ\text{ C}$ ,  $C_L = 15\text{ pF}$

Parameter	Symbol	Conditions	Min.	Typ.	Max.	Units
Input Clock Frequency			4	12	32	MHz
Output Clock Frequency			4	12	32	MHz
Input Clock Duty Cycle		Time above $V_{DD}/2$	40		60	%
Output Clock Duty Cycle		Time above 1.5 V	45	50	55	%
Cycle-to-cycle Jitter <sup>2</sup>		$F_{in} = 6\text{ MHz}$		450	650	ps
		$F_{in} = 12\text{ MHz}$		300	630	ps
		$F_{in} = 24\text{ MHz}$		300	520	ps
Output Rise Time	$t_R$	0.4 to 2.4 V		4.4		ns
Output Fall Time	$t_F$	2.4 to 0.4 V		3.57		ns
EMI Peak Frequency Reduction				8 to 16		dB

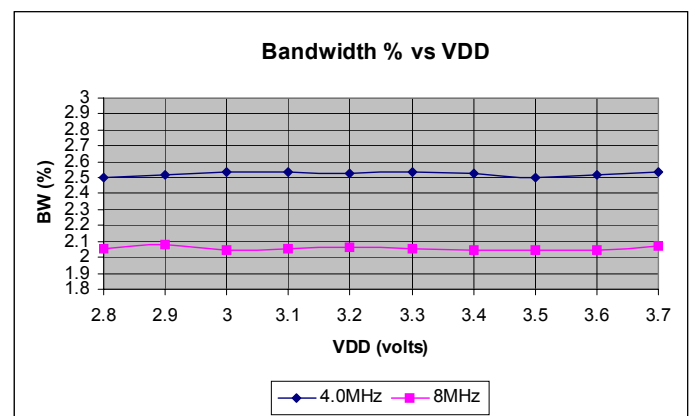
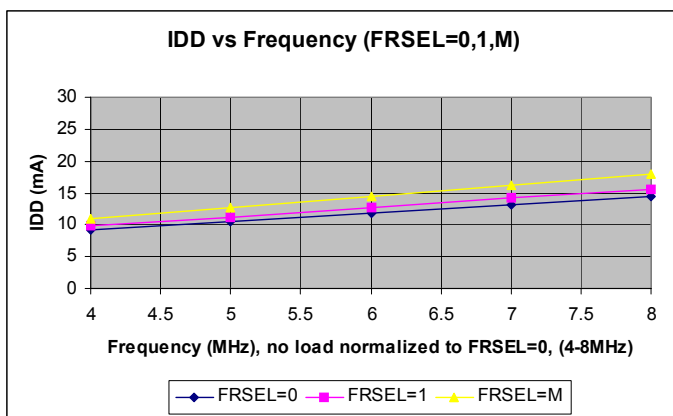
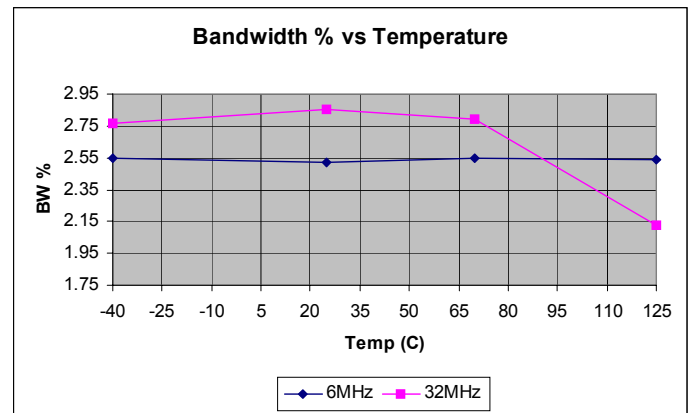
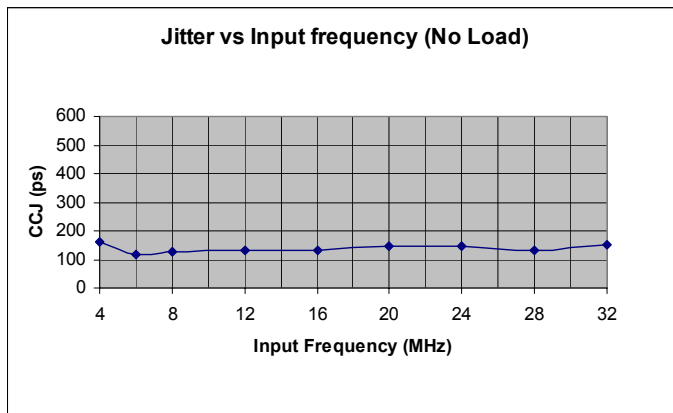
Note 2: Spread is enabled.

## Thermal Characteristics for 8-pin SOIC

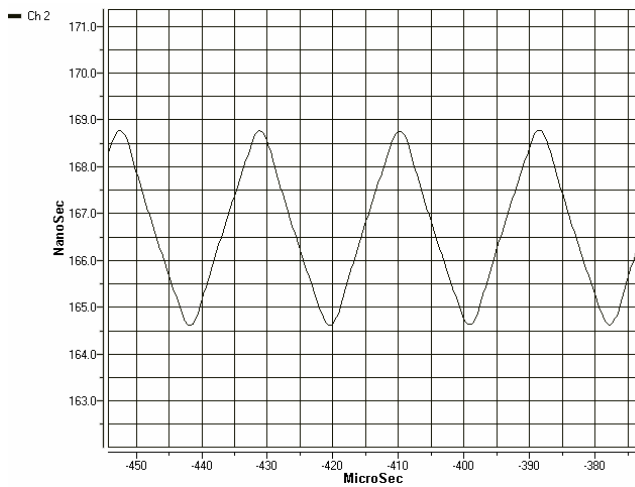
Parameter	Symbol	Conditions	Min.	Typ.	Max.	Units
Thermal Resistance Junction to Ambient	$\theta_{JA}$	Still air		150		$^{\circ}\text{C/W}$
	$\theta_{JA}$	1 m/s air flow		140		$^{\circ}\text{C/W}$
	$\theta_{JA}$	3 m/s air flow		120		$^{\circ}\text{C/W}$
Thermal Resistance Junction to Case	$\theta_{JC}$			40		$^{\circ}\text{C/W}$

## Characteristic Curves

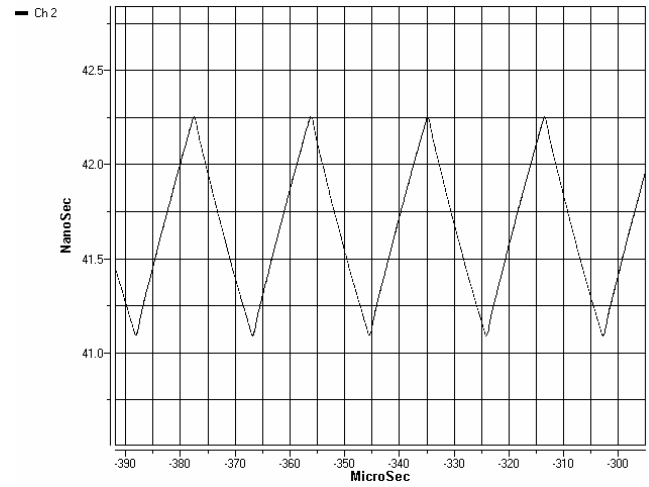
The following curves determine the characteristic behavior of the MK5811C when tested over a number of environmental and application-specific parameters. These are typical performance curves and are not meant to replace any parameter specified in DC and AC Characteristics tables.



## SSCG Profiles

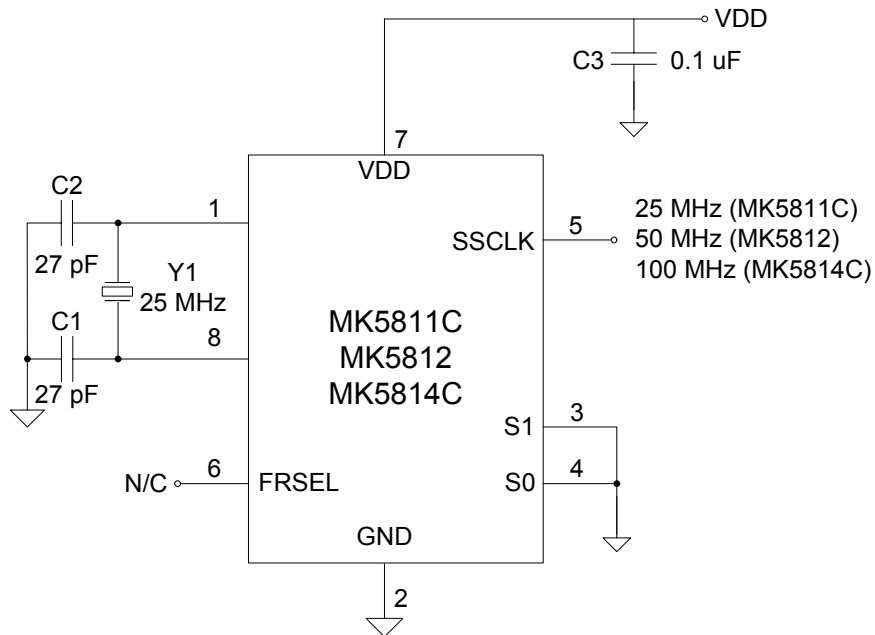


Min: 5.925 MHz      Max: 6.075 MHz  
 Rate: 46.88 kHz      Pk-Pk: Jitter: 130 ps  
 Xin = 6.0 MHz      SSCLK1 = 6.0 MHz  
 S1, S0 = 0  
 FRSEL = 0      P/N: MK5811C



Min: 23.67 MHz      Max: 24.33 MHz  
 Rate: 46.89 kHz      Pk-Pk: Jitter: 365 ps  
 Xin = 24.0 MHz      SSCLK1 = 24.0 MHz  
 S1, S0 = 0  
 FRSEL = M      P/N: MK5811C

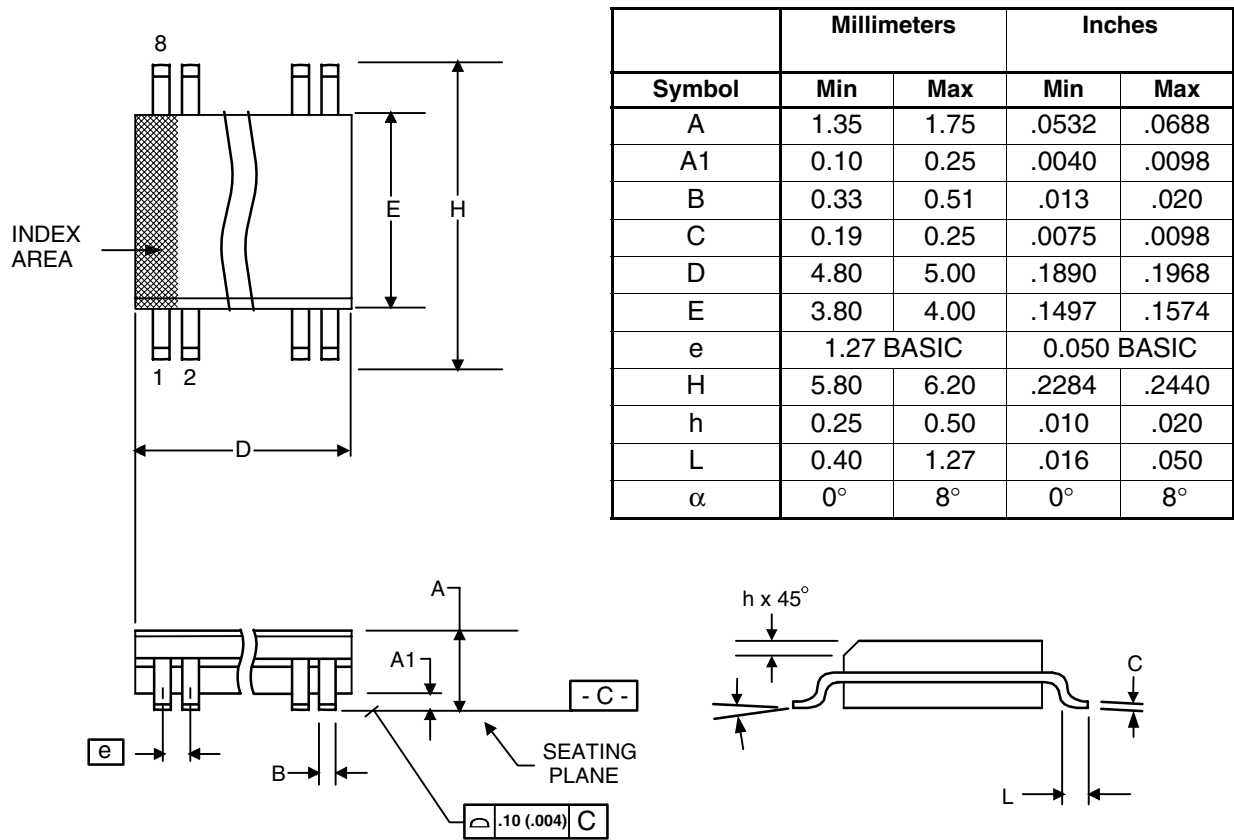
## Application Schematic





## Package Outline and Package Dimensions (8-pin SOIC, 150 Mil. Body)

Package dimensions are kept current with JEDEC Publication No. 95



## Ordering Information

Part / Order Number	Marking	Shipping Packaging	Package	Temperature
MK5811CMLF	5811CML	Tubes	8-pin SOIC	0 to +85° C
MK5811CMLFT	5811CML	Tape and Reel	8-pin SOIC	0 to +85° C
MK5811CMILF	5811CMIL	Tubes	8-pin SOIC	-40 to +85° C
MK5811CMILFT	5811CMIL	Tape and Reel	8-pin SOIC	-40 to +85° C

“LF” suffix to the part number are the Pb-Free configuration and are RoHS compliant.

While the information presented herein has been checked for both accuracy and reliability, Integrated Device Technology, Inc. (IDT) assumes no responsibility for either its use or for the infringement of any patents or other rights of third parties, which would result from its use. No other circuits, patents, or licenses are implied. This product is intended for use in normal commercial applications. Any other applications such as those requiring extended temperature range, high reliability, or other extraordinary environmental requirements are not recommended without additional processing by IDT. IDT reserves the right to change any circuitry or specifications without notice. IDT does not authorize or warrant any IDT product for use in life support devices or critical medical instruments.

**Innovate with IDT and accelerate your future networks. Contact:**

**www.IDT.com**

**For Sales**

800-345-7015  
408-284-8200  
Fax: 408-284-2775

**For Tech Support**

[www.idt.com/go/clockhelp](http://www.idt.com/go/clockhelp)

---

**Corporate Headquarters**

Integrated Device Technology, Inc.  
6024 Silver Creek Valley Road  
San Jose, CA 95138  
[www.idt.com](http://www.idt.com)



[www.IDT.com](http://www.IDT.com)

Компания «Океан Электроники» предлагает заключение долгосрочных отношений при поставках импортных электронных компонентов на взаимовыгодных условиях!

Наши преимущества:

- Поставка оригинальных импортных электронных компонентов напрямую с производств Америки, Европы и Азии, а так же с крупнейших складов мира;
- Широкая линейка поставок активных и пассивных импортных электронных компонентов (более 30 млн. наименований);
- Поставка сложных, дефицитных, либо снятых с производства позиций;
- Оперативные сроки поставки под заказ (от 5 рабочих дней);
- Экспресс доставка в любую точку России;
- Помощь Конструкторского Отдела и консультации квалифицированных инженеров;
- Техническая поддержка проекта, помощь в подборе аналогов, поставка прототипов;
- Поставка электронных компонентов под контролем ВП;
- Система менеджмента качества сертифицирована по Международному стандарту ISO 9001;
- При необходимости вся продукция военного и аэрокосмического назначения проходит испытания и сертификацию в лаборатории (по согласованию с заказчиком);
- Поставка специализированных компонентов военного и аэрокосмического уровня качества (Xilinx, Altera, Analog Devices, Intersil, Interpoint, Microsemi, Actel, Aeroflex, Peregrine, VPT, Syfer, Eurofarad, Texas Instruments, MS Kennedy, Miteq, Cobham, E2V, MA-COM, Hittite, Mini-Circuits, General Dynamics и др.);

Компания «Океан Электроники» является официальным дистрибьютором и эксклюзивным представителем в России одного из крупнейших производителей разъемов военного и аэрокосмического назначения «JONHON», а так же официальным дистрибьютором и эксклюзивным представителем в России производителя высокотехнологичных и надежных решений для передачи СВЧ сигналов «FORSTAR».



## JONHON

«JONHON» (основан в 1970 г.)

Разъемы специального, военного и аэрокосмического назначения:

(Применяются в военной, авиационной, аэрокосмической, морской, железнодорожной, горно- и нефтедобывающей отраслях промышленности)

«FORSTAR» (основан в 1998 г.)

ВЧ соединители, коаксиальные кабели,  
кабельные сборки и микроволновые компоненты:

(Применяются в телекоммуникациях гражданского и специального назначения, в средствах связи, РЛС, а так же военной, авиационной и аэрокосмической отраслях промышленности).



Телефон: 8 (812) 309-75-97 (многоканальный)

Факс: 8 (812) 320-03-32

Электронная почта: [ocean@oceanchips.ru](mailto:ocean@oceanchips.ru)

Web: <http://oceanchips.ru/>

Адрес: 198099, г. Санкт-Петербург, ул. Калинина, д. 2, корп. 4, лит. А