

## 300mA LDO REGULATOR with the Reverse Current Protection

NO.EA-229-111026

### OUTLINE

R1191x Series are a low supply current voltage regulator with high output voltage accuracy. The maximum operating voltage is 16V. These ICs can switch to the fast mode and the low power mode by the low power / fast mode changer pin (ECO pin) without changing the output voltage value.

Each of these ICs consists of a voltage reference unit, an error amplifier, a resistor-net for voltage setting, a short current limit circuit, a thermal shutdown circuit and a chip enable circuit.

Moreover, the R1191x Series has the reverse current protection function, which protects the reverse current flow into  $V_{DD}$  pin when the output pin voltage becomes higher than the  $V_{DD}$  pin voltage. Thus it is suitable for the back-up circuit.

Since the packages for these ICs are SOT-89-5, SOT-23-5 and DFN1616-6, therefore high density mounting of the ICs on boards is possible.

### FEATURES

- Supply Current ..... Typ. 50 $\mu$ A (Fast Mode),  
Typ. 6.0 $\mu$ A (Low Power Mode)
- Standby Mode ..... Typ. 0.3 $\mu$ A
- Reverse Current..... Max. 0.1 $\mu$ A
- Output Current ..... Min. 300mA
- Input Voltage Range ..... 3.5V to 16.0V
- Output Voltage Range..... 2.0V to 15.0V (0.1V steps)  
(For other voltages, please refer to MARK INFORMATIONS.)
- Output Voltage Accuracy.....  $\pm$ 1.5% (Fast Mode)  
 $\pm$ 2.5% (Low Power Mode)
- Temperature-Drift Coefficient of Output Voltage .. Typ.  $\pm$ 80ppm/ $^{\circ}$ C
- Dropout Voltage ..... Typ. 0.55V (Fast Mode,  $I_{OUT}$ =300mA,  $V_{OUT}$ =5.0V)  
Typ. 0.70V (Low Power Mode,  $I_{OUT}$ =300mA,  $V_{OUT}$ =5.0V)
- Ripple Rejection ..... Typ. 60dB ( $f$ =1kHz,  $V_{OUT}$ =5.0V, Fast Mode)
- Line Regulation ..... Typ. 0.02%/V (Fast Mode)
- Packages ..... DFN1616-6, SOT-23-5, SOT-89-5
- Built-in fold-back protection circuit ..... Typ. 50mA (Current at short mode)
- Built-in Thermal Shutdown Circuit..... Shutdown Temperature at 150 $^{\circ}$ C
- Ceramic capacitors are recommended to be used with this IC ....  $C_{IN}$ =2.2 $\mu$ F or more,  $C_{OUT}$ =4.7 $\mu$ F or more

### APPLICATIONS

- Power source for digital home appliances
- Power source for audio visual equipment

## BLOCK DIAGRAM



## SELECTION GUIDE

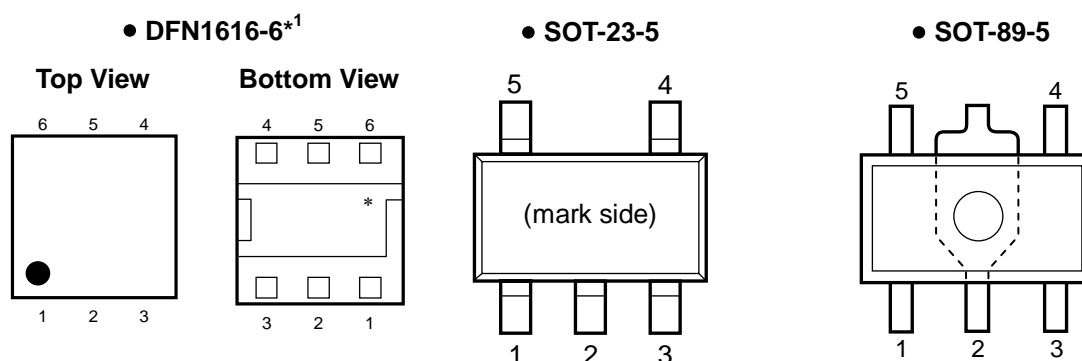
The output voltage, auto-discharge function, and package, for the ICs can be selected at the user's request.

Product Name	Package	Quantity per Reel	Pb Free	Halogen Free
R1191Lxxx*-TR	DFN1616-6	5,000 pcs	Yes	Yes
R1191Nxxx*-TR-FE	SOT-23-5	3,000 pcs	Yes	Yes
R1191Hxxx*-T1-FE	SOT-89-5	1,000 pcs	Yes	Yes

xxx : The output voltage can be designated in the range from 2.0V(020) to 15.0V(150) in 0.1V steps.  
(For other voltages, please refer to MARK INFORMATIONS.)

\* : The auto discharge function at off state are options as follows.  
(B) without auto discharge function at off state.  
(D) with auto discharge function at off state.

## PIN CONFIGURATIONS



## PIN DISCRIPTIONS

### • DFN1616-6\*<sup>1</sup>

Pin No	Symbol	Pin Description
1	ECO	Low Power / Fast Mode Changer Pin ("H": Fast Mode)
2	NC	No Connection
3	V <sub>DD</sub>	Input Pin
4	V <sub>OUT</sub>	Output pin
5	GND	Ground Pin
6	CE	Chip Enable Pin ("H" Active)

\*1) Tab is GND level. (They are connected to the reverse side of this IC.)

The tab is better to be connected to the GND, but leaving it open is also acceptable.

### • SOT-23-5

Pin No	Symbol	Pin Description
1	ECO	Low Power / Fast Mode Changer Pin ("H": Fast Mode)
2	GND	Ground Pin
3	CE	Chip Enable Pin ("H" Active)
4	V <sub>OUT</sub>	Output pin
5	V <sub>DD</sub>	Input Pin

### • SOT-89-5

Pin No	Symbol	Pin Description
1	V <sub>OUT</sub>	Output pin
2	GND	Ground Pin
3	CE	Chip Enable Pin ("H" Active)
4	ECO	Low Power / Fast Mode Changer Pin ("H": Fast Mode)
5	V <sub>DD</sub>	Input Pin

## ABSOLUTE MAXIMUM RATINGS

Symbol	Item	Rating	Unit
V <sub>IN</sub>	Input Voltage	-0.3 to 18.0	V
V <sub>CE</sub>	Input Voltage (CE Pin)	-0.3 to 18.0	V
V <sub>ECO</sub>	Input Voltage (ECO Pin)	-0.3 to V <sub>IN</sub> + 0.3 ≤ 18.0	V
V <sub>OUT</sub>	Output Voltage	-0.3 to 18.0	V
I <sub>OUT</sub>	Output Current	400	mA
P <sub>D</sub>	Power Dissipation (DFN1616-6)*	640	mW
	Power Dissipation (SOT-23-5)*	420	
	Power Dissipation (SOT-89-5)*	900	
T <sub>opt</sub>	Operating Temperature Range	-40 to +85	°C
T <sub>stg</sub>	Storage Temperature Range	-55 to +125	°C

\*) For Power Dissipation, please refer to PACKAGE INFORMATION.

### ABSOLUTE MAXIMUM RATINGS

Electronic and mechanical stress momentarily exceeded absolute maximum ratings may cause the permanent damages and may degrade the life time and safety for both device and system using the device in the field.

The functional operation at or over these absolute maximum ratings is not assured.

### RECOMMENDED OPERATING CONDITIONS (ELECTRICAL CHARACTERISTICS)

All of electronic equipment should be designed that the mounted semiconductor devices operate within the recommended operating conditions. The semiconductor devices cannot operate normally over the recommended operating conditions, even if when they are used over such conditions by momentary electronic noise or surge. And the semiconductor devices may receive serious damage when they continue to operate over the recommended operating conditions.

## ELECTRICAL CHARACTERISTICS

$V_{IN}=V_{CE}=\text{Set } V_{OUT}+3.0\text{V}$  (Max.16V),  $C_{IN}=2.2\mu\text{F}$ ,  $C_{OUT}=4.7\mu\text{F}$   $I_{OUT}=1\text{mA}$ , unless otherwise noted.  
The values in   are applicable under the condition of  $-40^{\circ}\text{C} \leq T_{opt} \leq 85^{\circ}\text{C}$ .

### R1191xxxxB/D

$T_{opt}=25^{\circ}\text{C}$

Symbol	Item	Conditions	Min.	Typ.	Max.	Unit		
$V_{OUT}$	Output Voltage	Fast Mode	$V_{ECO}=V_{IN}$	$T_{opt}=25^{\circ}\text{C}$	$\times 0.985$	$\times 1.015$	V	
				$-40^{\circ}\text{C} \leq T_{opt} \leq 85^{\circ}\text{C}$	<span style="border: 1px solid black; padding: 0 2px;">0.970</span>	<span style="border: 1px solid black; padding: 0 2px;">1.030</span>		
		Low Power Mode	$V_{ECO}=0\text{V}$	$T_{opt}=25^{\circ}\text{C}$	$\times 0.975$	$\times 1.025$		
				$-40^{\circ}\text{C} \leq T_{opt} \leq 85^{\circ}\text{C}$	<span style="border: 1px solid black; padding: 0 2px;">0.960</span>	<span style="border: 1px solid black; padding: 0 2px;">1.040</span>		
$\Delta V_{OUT}$	Output Voltage Deviation between Fast Mode and Low Power Mode		<span style="border: 1px solid black; padding: 0 2px;">-1.5</span>	0	<span style="border: 1px solid black; padding: 0 2px;">1.5</span>	%		
$I_{OUT}$	Output Current		<span style="border: 1px solid black; padding: 0 2px;">300</span>			mA		
$\Delta V_{OUT}/\Delta I_{OUT}$	Load Regulation	Fast Mode	$V_{ECO}=V_{IN}$ , $1\text{mA} \leq I_{OUT} \leq 300\text{mA}$		50	<span style="border: 1px solid black; padding: 0 2px;">120</span>	mV	
		Low Power Mode	$V_{ECO}=\text{GND}$ , $1\text{mA} \leq I_{OUT} \leq 300\text{mA}$		60	<span style="border: 1px solid black; padding: 0 2px;">130</span>		
$V_{DIF}$	Dropout Voltage		Refer to the following table					
$I_{SS1}$	Supply Current (Fast Mode)		$V_{ECO}=V_{IN}$ , $I_{OUT}=0\text{mA}$			50	<span style="border: 1px solid black; padding: 0 2px;">100</span>	$\mu\text{A}$
$I_{SS2}$	Supply Current (Low Power Mode)		$V_{ECO}=\text{GND}$ , $I_{OUT}=0\text{mA}$			6	<span style="border: 1px solid black; padding: 0 2px;">15</span>	$\mu\text{A}$
$I_{standby}$	Supply Current (Standby)		$V_{IN}=16\text{V}$ , $V_{CE}=0\text{V}$ (If $V_{OUT} < 3.0\text{V}$ , $V_{IN}=14\text{V}$ )			0.3	1.0	$\mu\text{A}$
$\Delta V_{OUT}/\Delta V_{IN}$	Line Regulation		Set $V_{OUT}+0.5\text{V} \leq V_{IN} \leq 16\text{V}$ (If Set $V_{OUT} < 3.0\text{V}$ , $3.5\text{V} \leq V_{IN} \leq 14\text{V}$ )			0.02	<span style="border: 1px solid black; padding: 0 2px;">0.10</span>	%/V
RR	Ripple Rejection	$f=1\text{kHz}$ , $I_{OUT}=30\text{mA}$ Ripple $0.2\text{V}_{p-p}$ , $V_{IN}=V_{ECO}=\text{Set } V_{OUT}+1\text{V}$	$2.0\text{V} \leq V_{OUT} < 5.0\text{V}$		70		dB	
			$5.0\text{V} \leq V_{OUT} < 12\text{V}$		60			
			$12\text{V} \leq V_{OUT}$		60			
$V_{IN}$	Input Voltage	$2.0\text{V} \leq V_{OUT} < 3.0\text{V}$		<span style="border: 1px solid black; padding: 0 2px;">3.5</span>		<span style="border: 1px solid black; padding: 0 2px;">14.0</span>	V	
		$3.0\text{V} \leq V_{OUT}$				<span style="border: 1px solid black; padding: 0 2px;">16.0</span>		
$\Delta V_{OUT}/\Delta T_{opt}$	Output Voltage Temperature Coefficient		$-40^{\circ}\text{C} \leq T_{opt} \leq 85^{\circ}\text{C}$			$\pm 80$	ppm/ $^{\circ}\text{C}$	
$I_{SC}$	Short Current Limit		$V_{OUT}=0\text{V}$			50	mA	
$V_{CEH}$	CE, ECO Input Voltage "H"			<span style="border: 1px solid black; padding: 0 2px;">1.6</span>		$V_{IN}$	V	
$V_{CEL}$	CE, ECO Input Voltage "L"			0		<span style="border: 1px solid black; padding: 0 2px;">0.6</span>	V	
$T_{TSD}$	Thermal Shutdown Temperature		Junction Temperature			150	$^{\circ}\text{C}$	
$T_{TSR}$	Thermal Shutdown Released Temperature		Junction Temperature			130	$^{\circ}\text{C}$	
$R_{LOW}$	Low Output Nch Tr. ON Resistance (of D Version)		$V_{IN}=5\text{V}$ , $V_{CE}=0\text{V}$ , $V_{OUT}=0.3\text{V}$			150	$\Omega$	
$I_{REV}$	Reverse Current		$V_{OUT} > 0.6\text{V}$ , $0\text{V} \leq V_{IN} \leq 16\text{V}$			0	<span style="border: 1px solid black; padding: 0 2px;">0.1</span>	$\mu\text{A}$

\*) The values in   have been tested and guaranteed by Design Engineering.

All test categories were tested on the products under the pulse load condition ( $T_j \approx T_a = 25^{\circ}\text{C}$ ) except the following test categories: ripple rejection, output voltage temperature coefficient, and thermal shutdown.

## ELECTRICAL CHARACTERISTICS by OUTPUT VOLTAGE

T<sub>opt</sub>=25°C

Output Voltage V <sub>OUT</sub> (V)	Dropout Voltage V <sub>DIF</sub> (V)				
	Condition	ECO="H"		ECO="L"	
		Typ.	Max.	Typ.	Max.
2.0 ≤ V <sub>OUT</sub> < 2.5	I <sub>OUT</sub> =300mA	1.20	1.80	2.5	3.0
2.5 ≤ V <sub>OUT</sub> < 3.3		1.00	1.50	2.0	2.5
3.3 ≤ V <sub>OUT</sub> < 5.0		0.75	1.00	1.5	1.8
5.0 ≤ V <sub>OUT</sub> < 12.0		0.55	0.75	0.7	1.0
12.0 ≤ V <sub>OUT</sub>		0.40	0.60	0.4	0.6

## TYPICAL APPLICATION



(External Components)

- Ex. C1: Ceramic Capacitor 2.2μF Murata GRM32RB11E225KC01B  
 C2: Ceramic Capacitor 4.7μF Murata GCM31CR71E475KA40

## TECHNICAL NOTES

When using these ICs, consider the following points:

- **Phase Compensation**

In these ICs, phase compensation is made for securing stable operation even if the load current is varied. For this purpose, use a capacitor C2 with good frequency characteristics and ESR (Equivalent Series Resistance).

(Note: If additional ceramic capacitors are connected with parallel to the output pin with an output capacitor for phase compensation, the operation might be unstable. Because of this, test these ICs with as same external components as ones to be used on the PCB.)

- **PCB Layout**

Make  $V_{DD}$  and GND lines sufficient. If their impedance is high, noise pickup or unstable operation may result. Connect a capacitor C1 with a capacitance value as much as  $2.2\mu\text{F}$  or more between  $V_{DD}$  and GND pin, and as close as possible to the pins.

Set external components, especially the capacitor C2, as close as possible to the ICs, and make wiring as short as possible.

- **Thermal Shutdown Function**

There is the built-in thermal-shutdown function in R1191x series. It discontinues operation of the IC when the junction temperature becomes over  $150^{\circ}\text{C}$  (Typ.) and IC re-operates when the junction temperature under  $130^{\circ}\text{C}$  (Typ.). If the temperature increasing keeps the IC repeats ON and OFF operating. The output becomes the pulse condition.

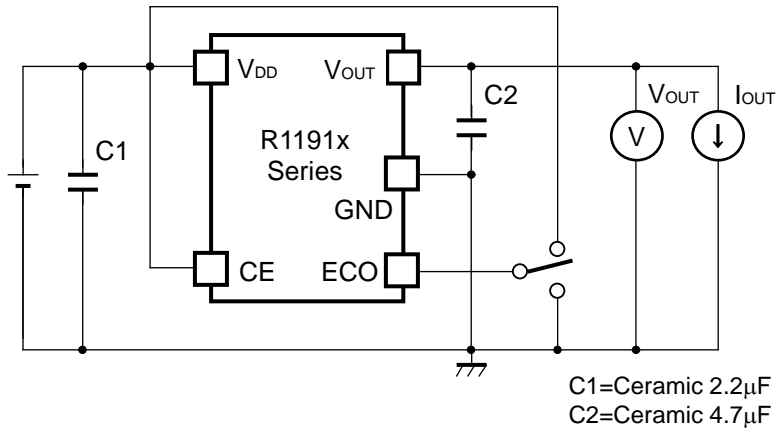
- **Chip Enable (CE) Circuit and High-speed/ Low Supply Current Switching (ECO) Circuit**

To maintain the stability of the output voltage, please do not use the intermediate electric potentials (the voltage values between  $V_{CEH}$  and  $V_{CEL}$ ) for the CE pin and the ECO pin. The use of the intermediate electric potentials increases the supply current and causes the unstable output voltage.

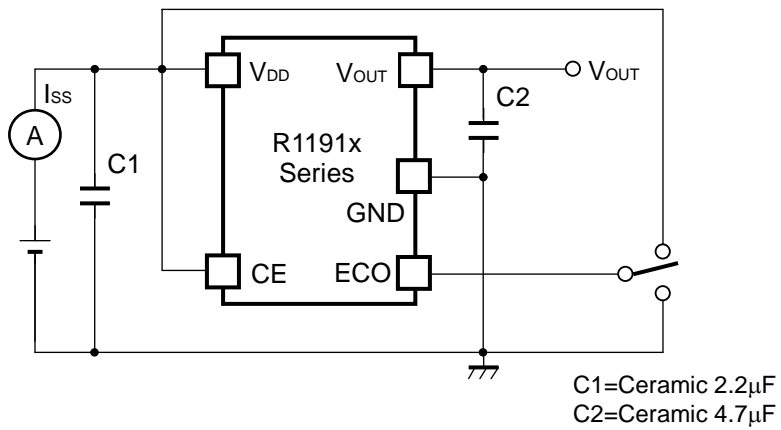
- **Auto-discharge Function**

R1191xxxxD has adopted Auto-discharge function, which decreases the output voltage quickly to 0V by turning on the transistor between  $V_{OUT}$  pin and GND pin when switching "Active" to "Standby" and releases the electrical charges accumulated in the external capacitor.

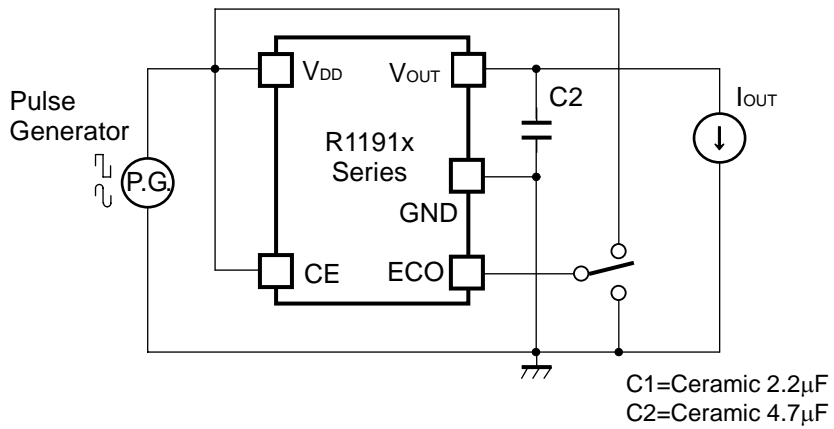
**TEST CIRCUITS**



**Basic Test Circuit**

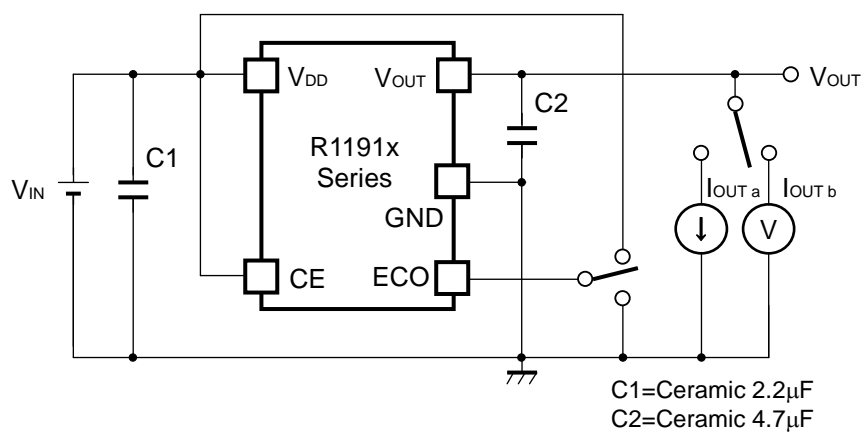


**Test Circuit for Supply Current**



**Test Circuit for Ripple Rejection**



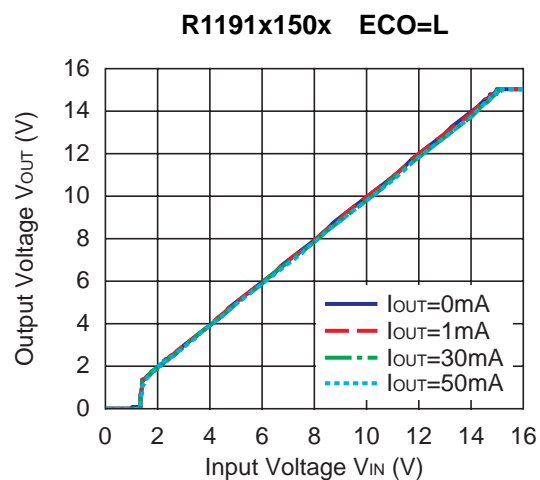
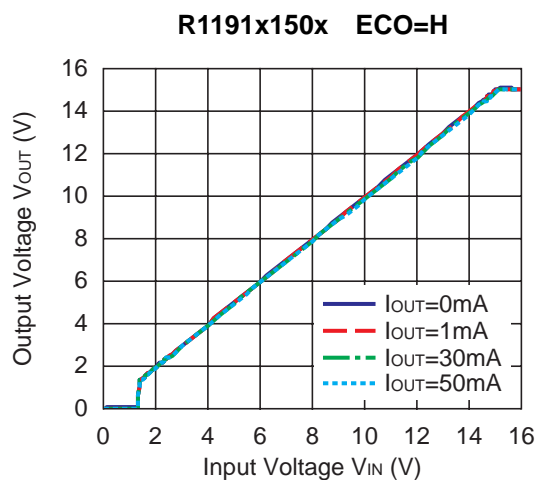
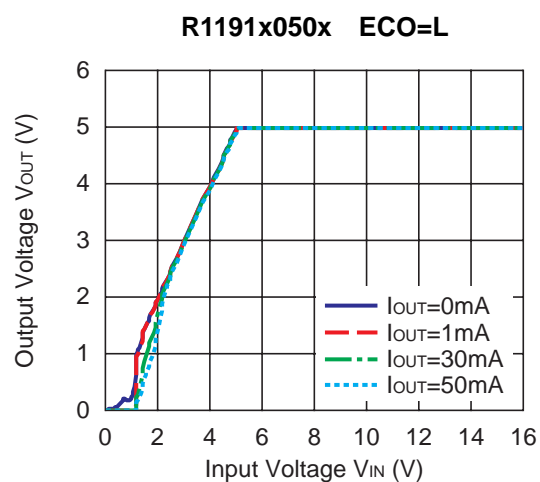
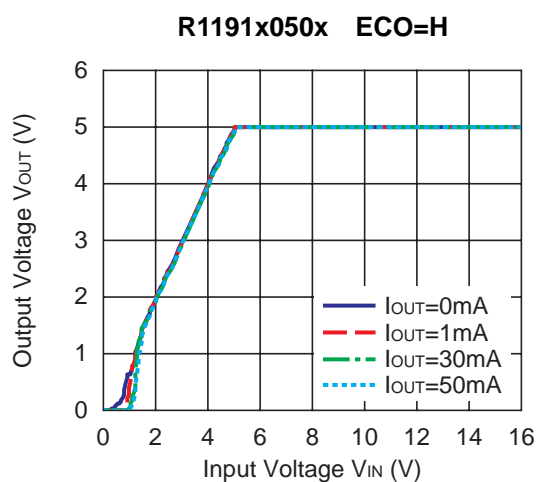
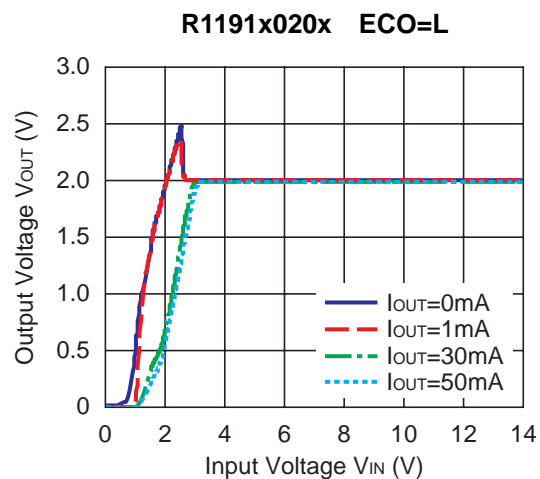
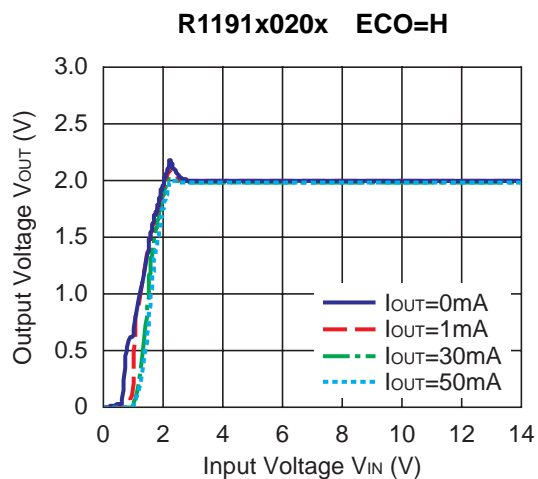
**Test Circuit for Load Transient Response**

## TYPICAL CHARACTERISTICS

### 1) Output Voltage vs. Output Current (C1=2.2μF, C2=4.7μF, T<sub>opt</sub>=25°C)

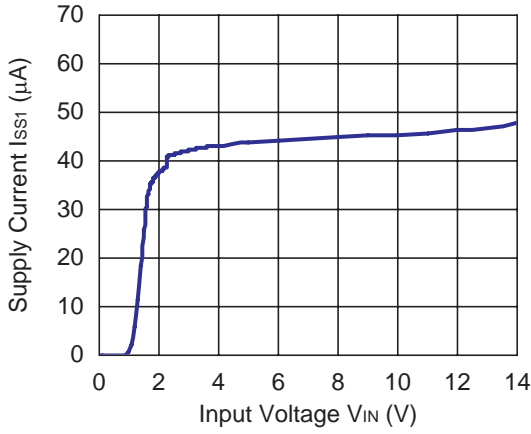


## 2) Output Voltage vs. Input Voltage ( $C_1=2.2\mu\text{F}$ , $C_2=4.7\mu\text{F}$ , $T_{\text{opt}}=25^\circ\text{C}$ )

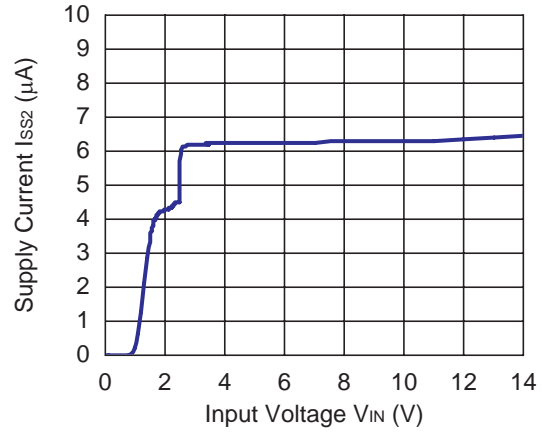


3) Supply Current vs. Input Voltage (C1=2.2μF, C2=4.7μF, T<sub>opt</sub>=25°C)

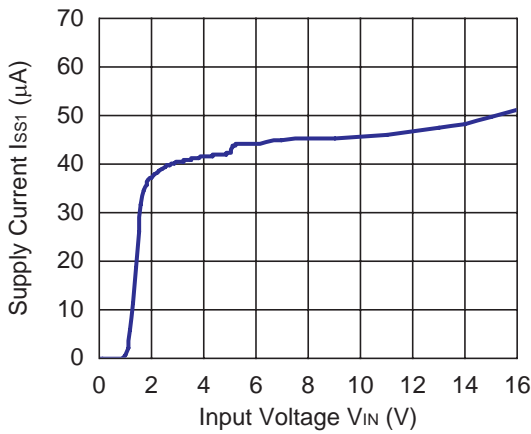
R1191x020x ECO=H



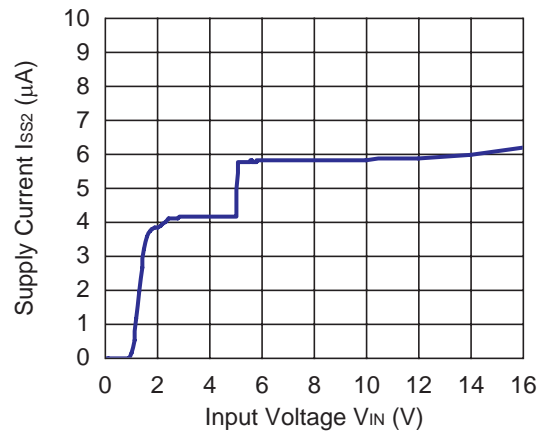
R1191x020x ECO=L



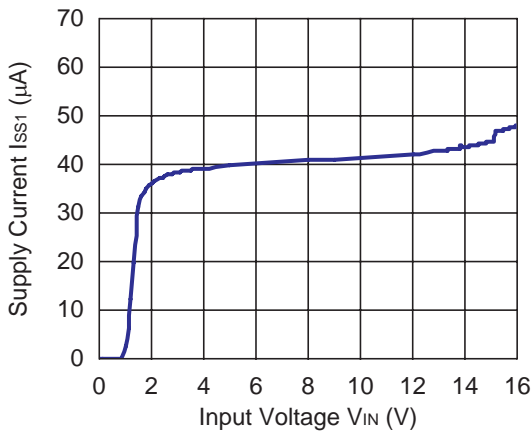
R1191x050x ECO=H



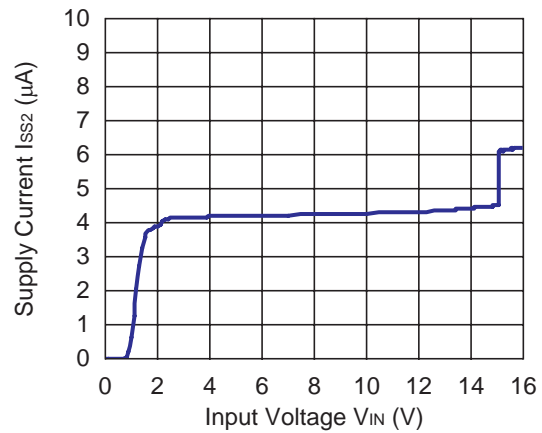
R1191x050x ECO=L

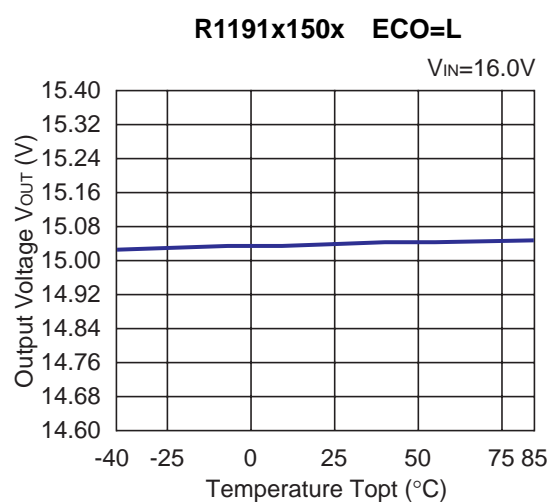
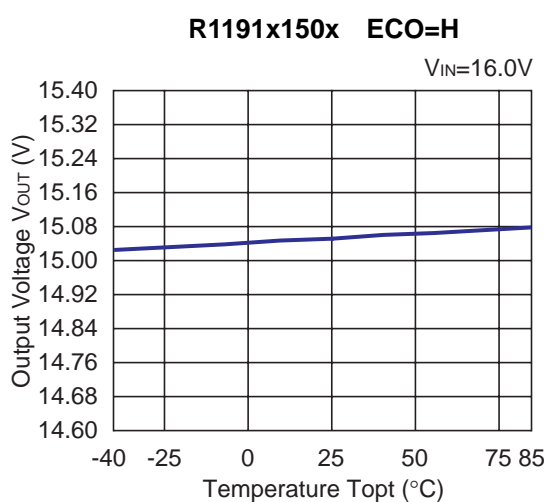
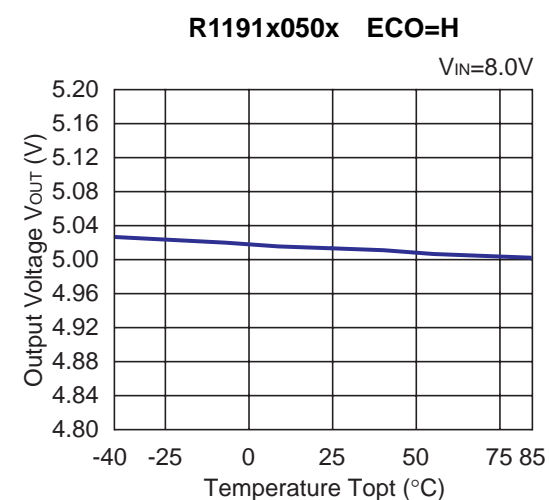
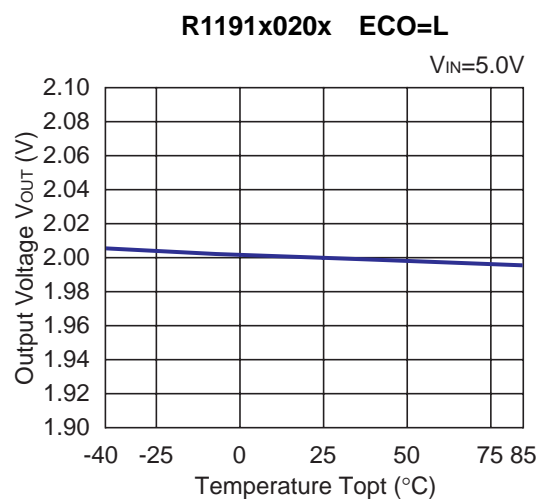
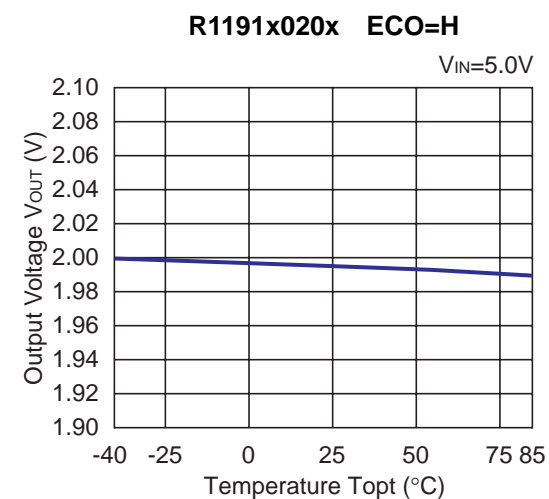


R1191x150x ECO=H



R1191x150x ECO=L



4) Output Voltage vs. Temperature ( $C_1=2.2\mu\text{F}$ ,  $C_2=4.7\mu\text{F}$ ,  $I_{\text{OUT}}=1\text{mA}$ )

5) Supply Current vs. Temperature (C1=2.2μF, C2=4.7μF)



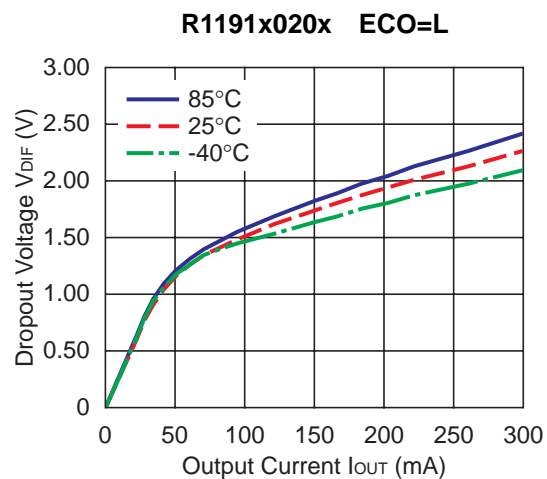
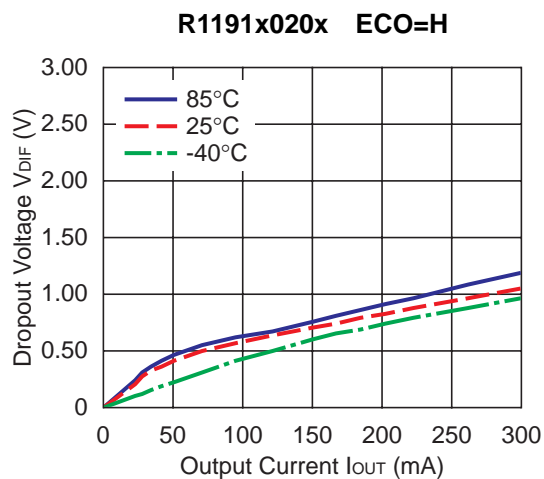
### 6) Standby Current vs. Input Voltage (C1=2.2 $\mu$ F, C2=4.7 $\mu$ F)



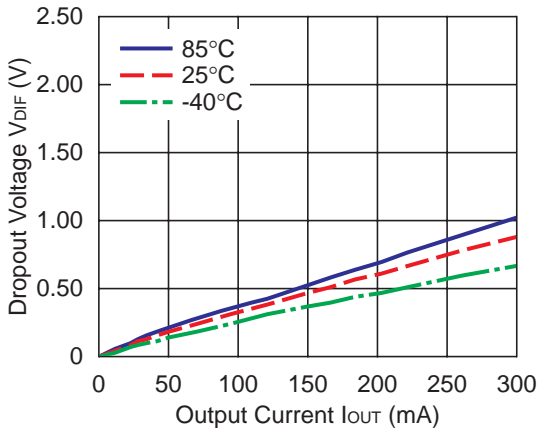
### 7) Reverse Current vs. Output Voltage (C1=2.2 $\mu$ F, C2=4.7 $\mu$ F, $V_{IN}=0$ V)



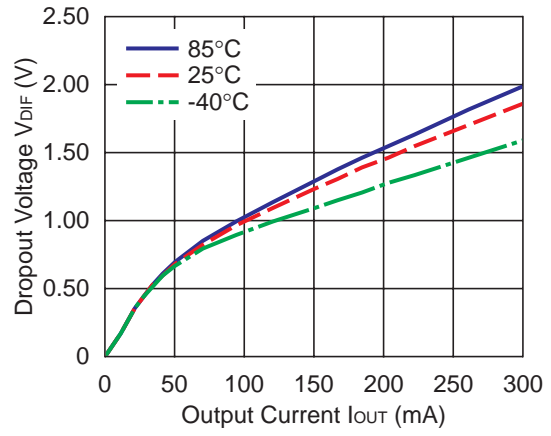
### 8) Dropout Voltage vs. Output Current (C1=2.2 $\mu$ F, C2=4.7 $\mu$ F)



R1191x025x ECO=H



R1191x025x ECO=L



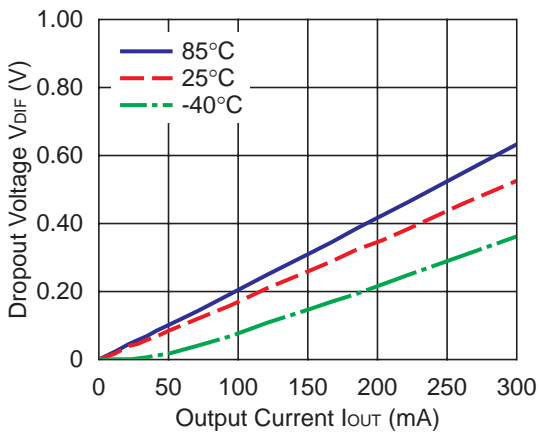
R1191x033x ECO=H



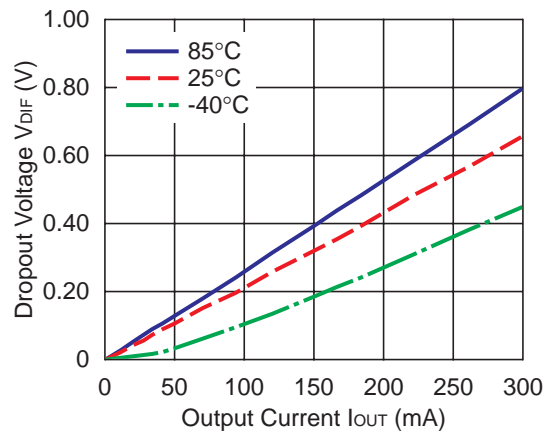
R1191x033x ECO=L



R1191x050x ECO=H

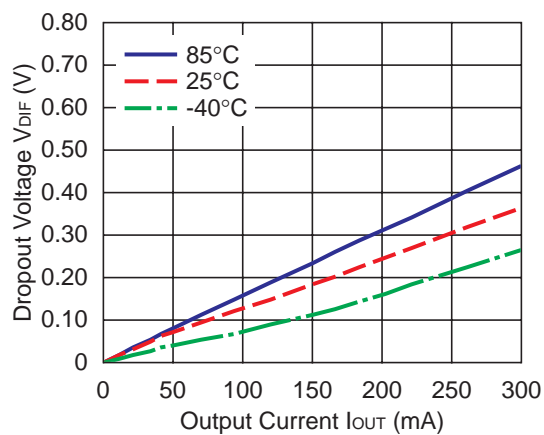


R1191x050x ECO=L

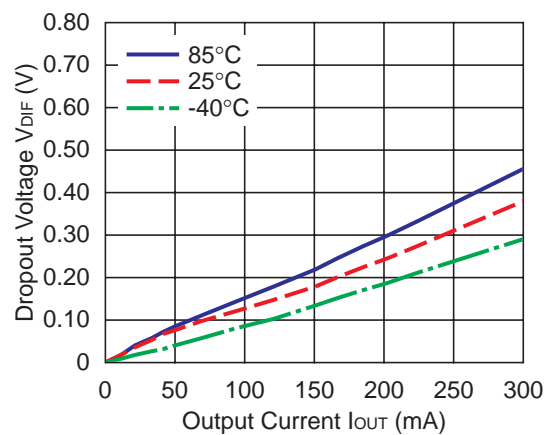




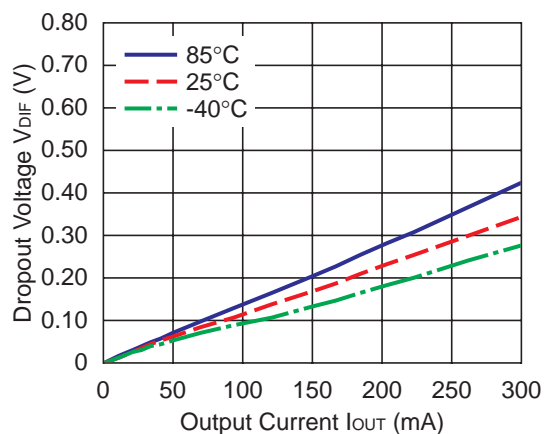
R1191x120x ECO=H



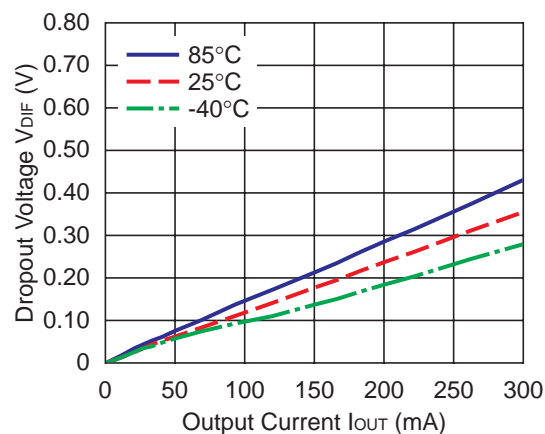
R1191x120x ECO=L



R1191x150x ECO=H

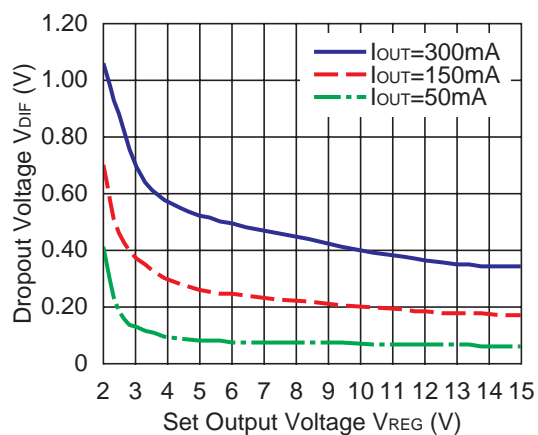


R1191x150x ECO=L

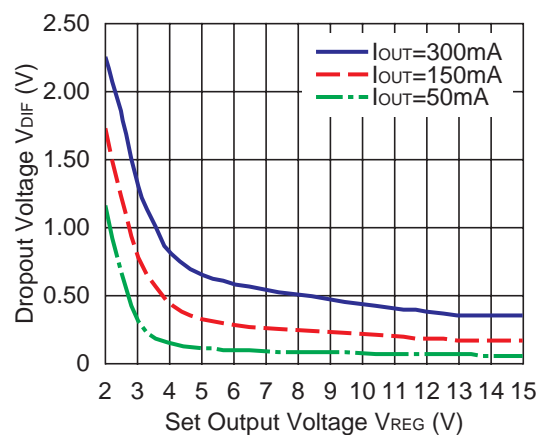


### 9) Dropout Voltage vs Set Output Voltage ( $C1=2.2\mu\text{F}$ , $C2=4.7\mu\text{F}$ , $T_{opt}=25^\circ\text{C}$ )

R1191x ECO=H



R1191x ECO=L



10) Ripple Rejection vs. Input Voltage (C1=none, C2=4.7μF, I<sub>OUT</sub>=30mA, Ripple=0.5Vp-p, T<sub>opt</sub>=25°C)

R1191x020x ECO=H



R1191x020x ECO=L



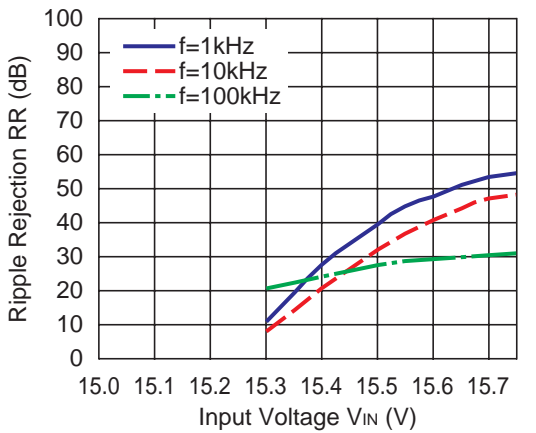
R1191x050x ECO=H



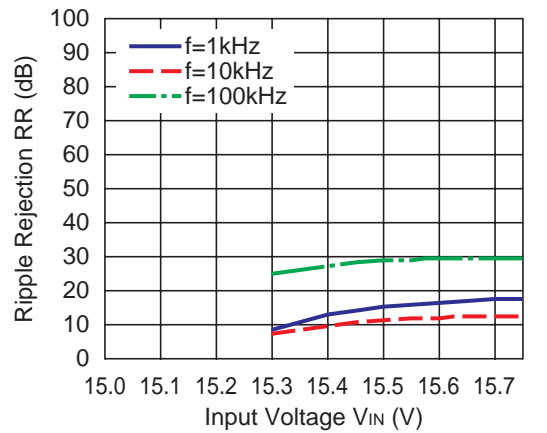
R1191x050x ECO=L



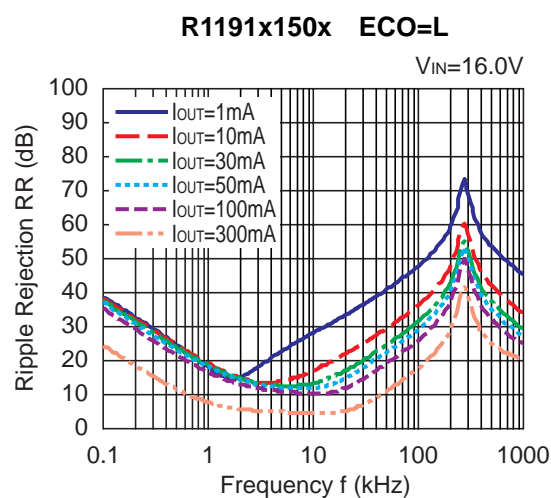
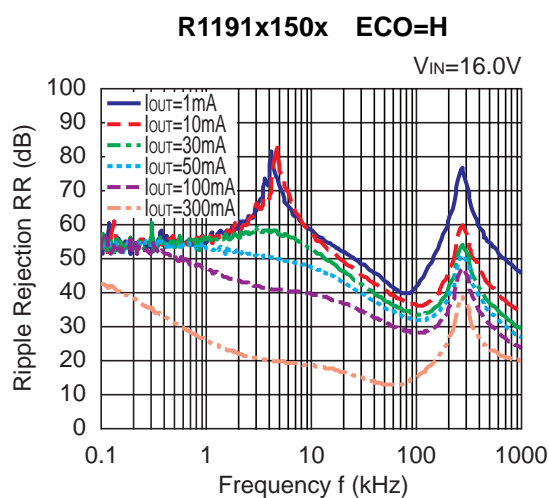
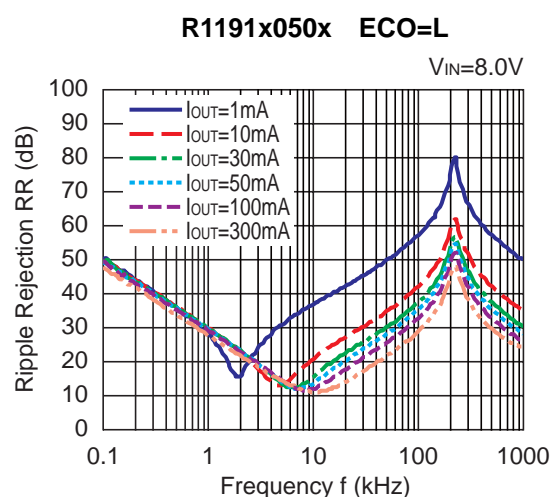
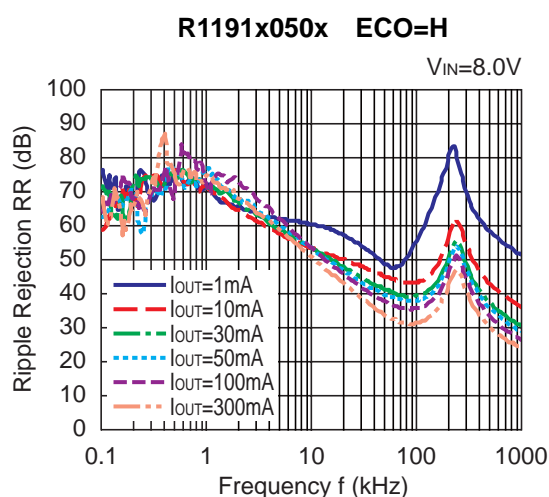
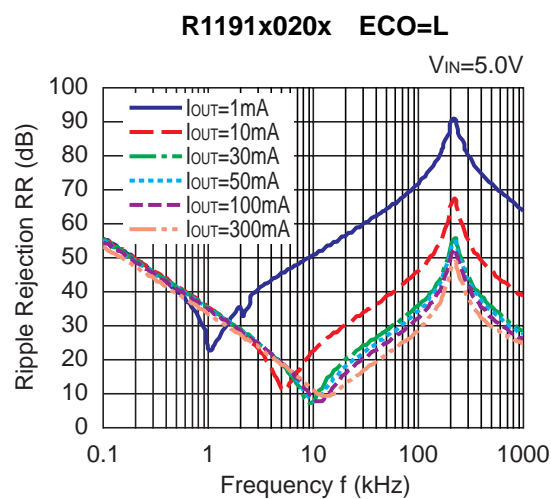
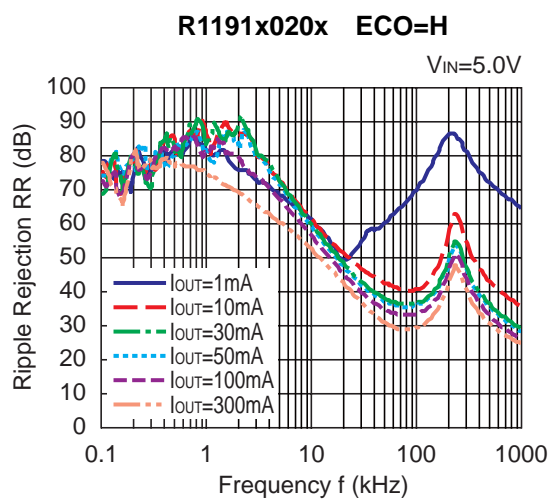
R1191x150x ECO=H



R1191x150x ECO=L



### 11) Ripple Rejection vs. Frequency (C1= none, C2=4.7 $\mu$ F, Ripple=0.5Vp-p, Topt=25°C)

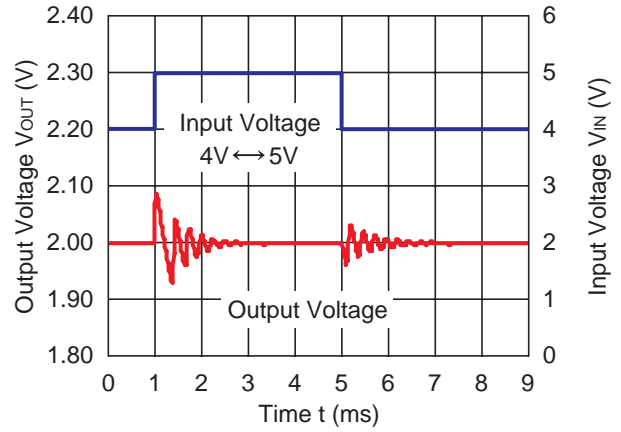


12) Input Transient Response (C1=none, C2=4.7μF, I<sub>OUT</sub>=1mA, tr=tf=1μs, T<sub>opt</sub>=25°C)

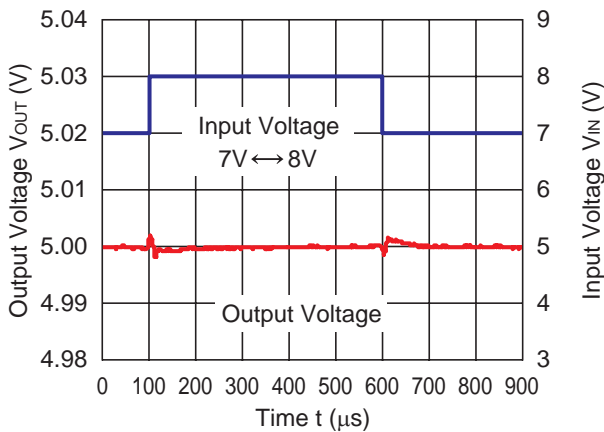
R1191x020x ECO=H



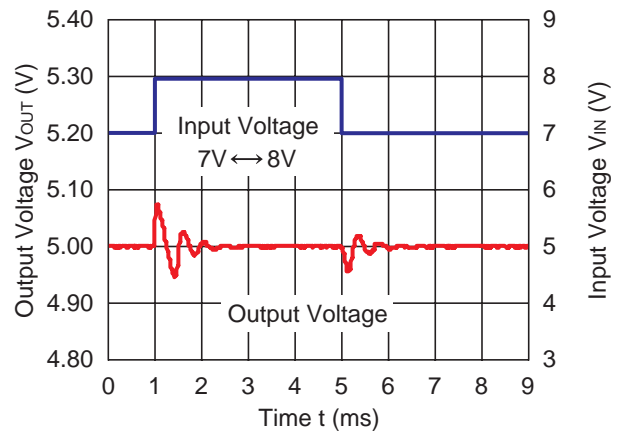
R1191x020x ECO=L



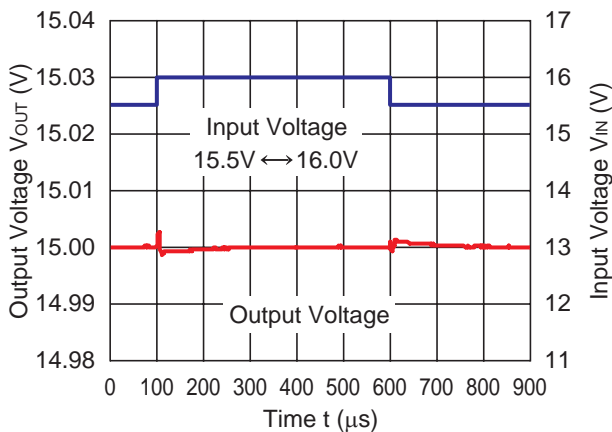
R1191x050x ECO=H



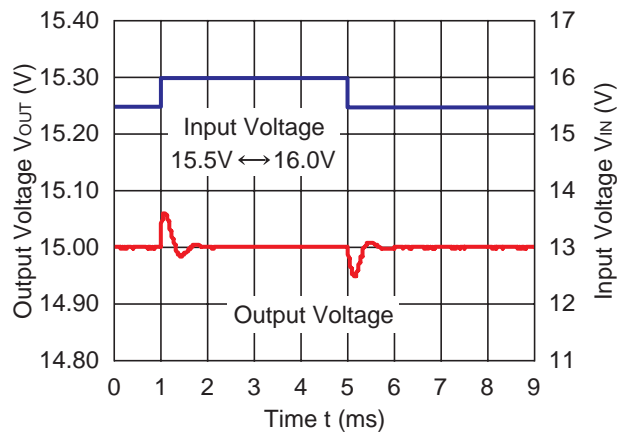
R1191x050x ECO=L



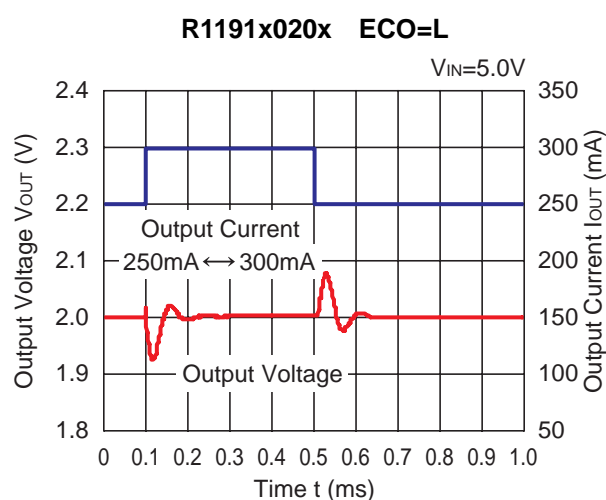
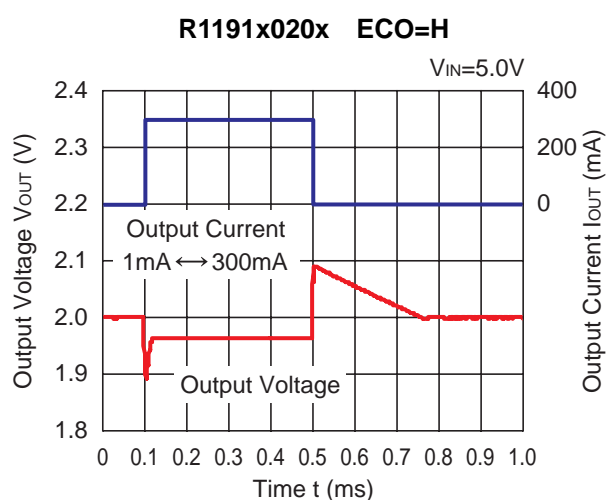
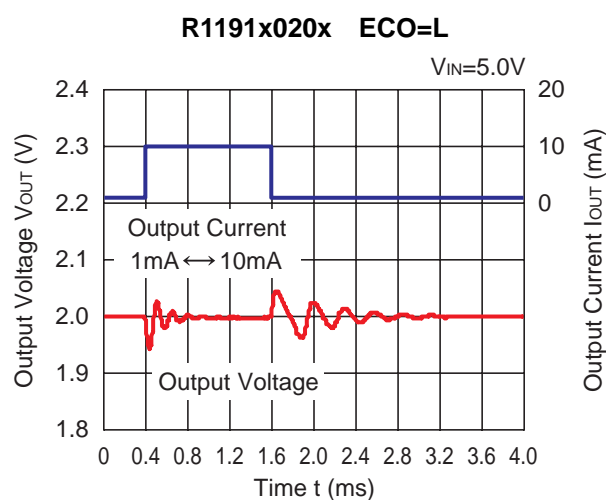
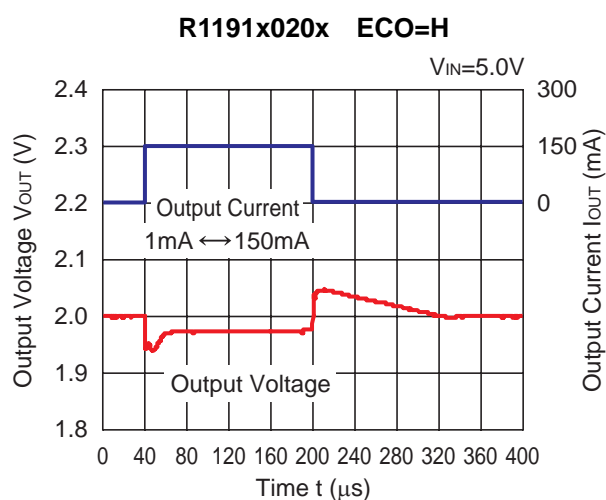
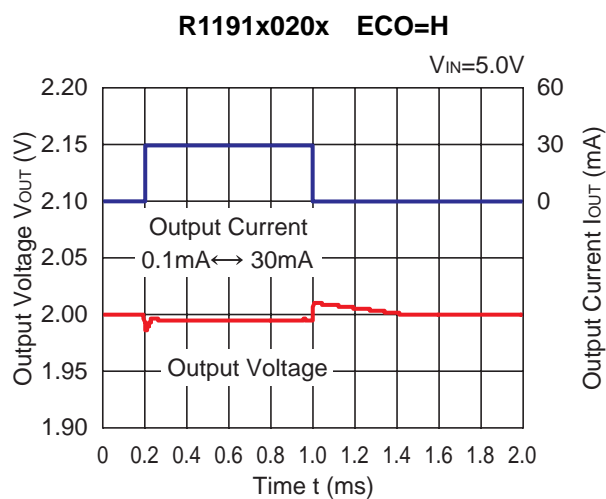
R1191x150x ECO=H



R1191x150x ECO=L



### 13) Load Transient Response ( $C_1=2.2\mu\text{F}$ , $C_2=4.7\mu\text{F}$ , $t_r=t_f=0.1\mu\text{s}$ , $T_{opt}=25^\circ\text{C}$ )



R1191x050x ECO=H



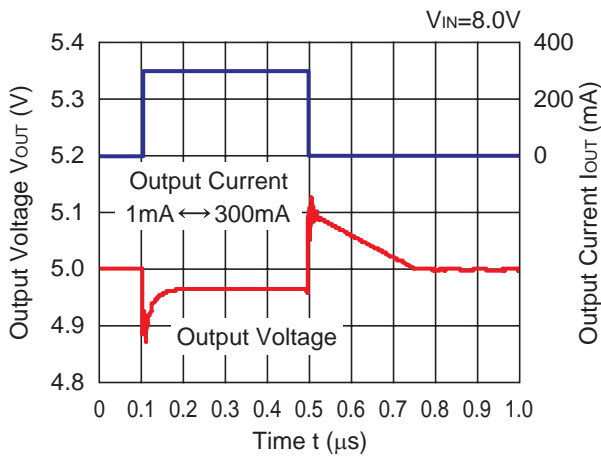
R1191x050x ECO=H



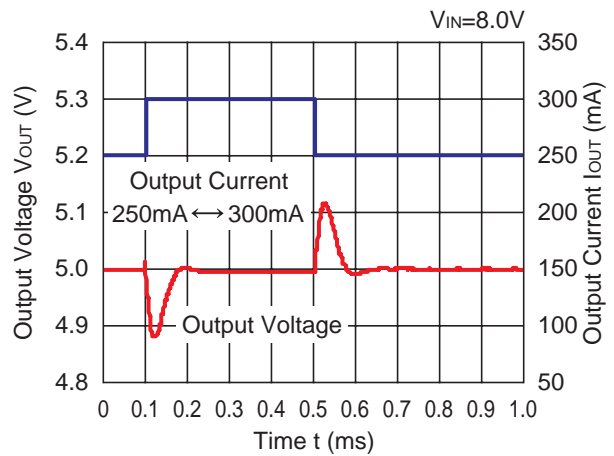
R1191x050x ECO=L



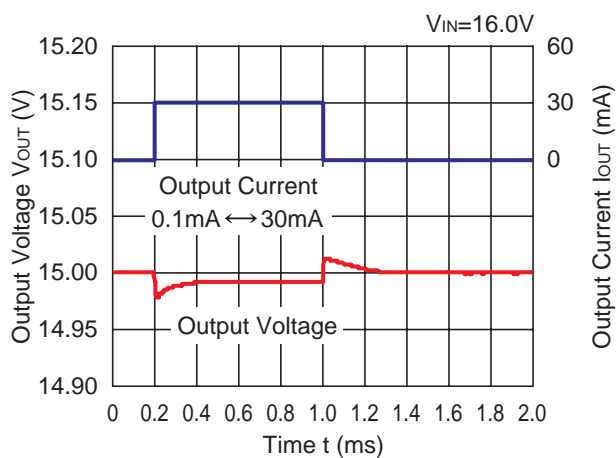
R1191x050x ECO=H



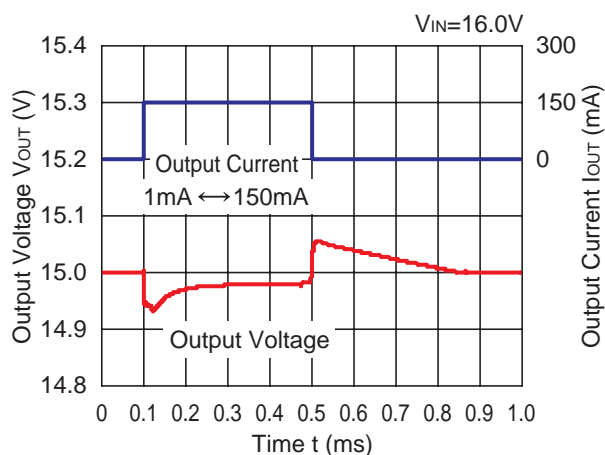
R1191x050x ECO=L



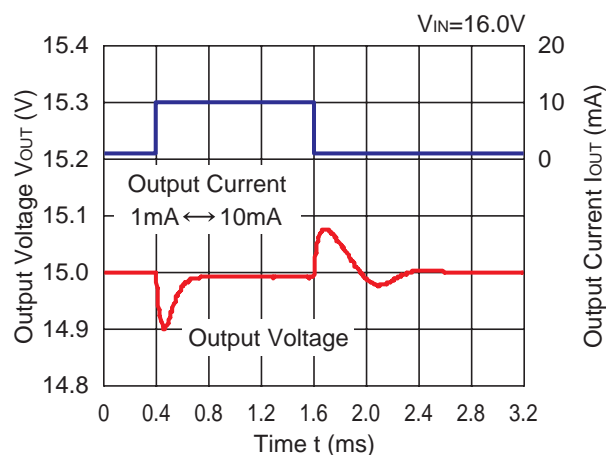
**R1191x150x ECO=H**



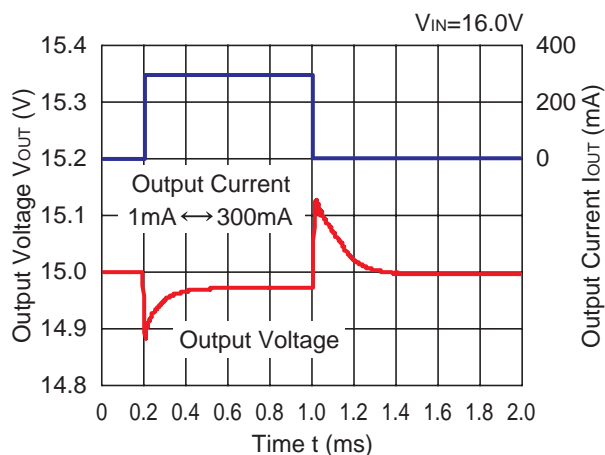
**R1191x150x ECO=H**



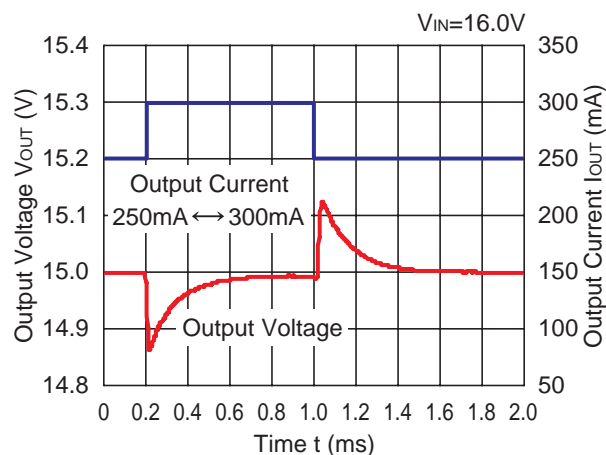
**R1191x150x ECO=L**



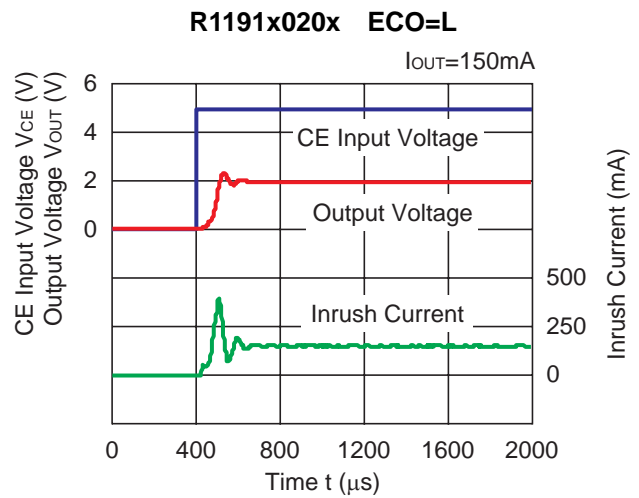
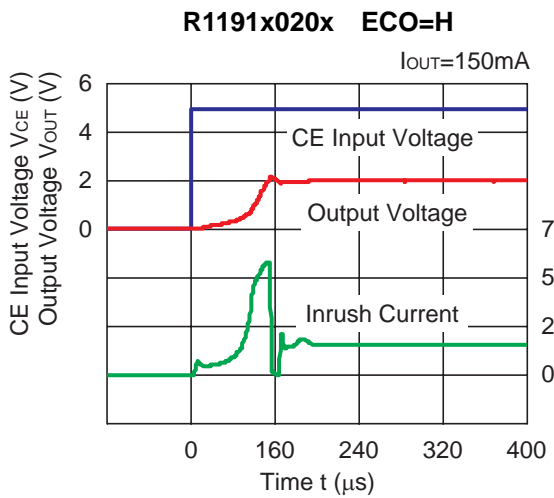
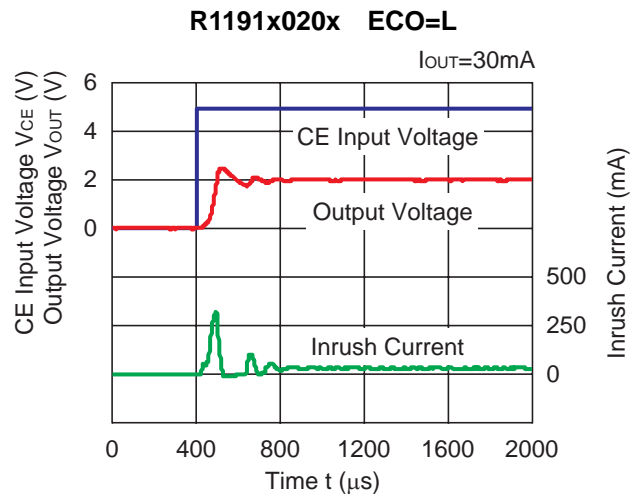
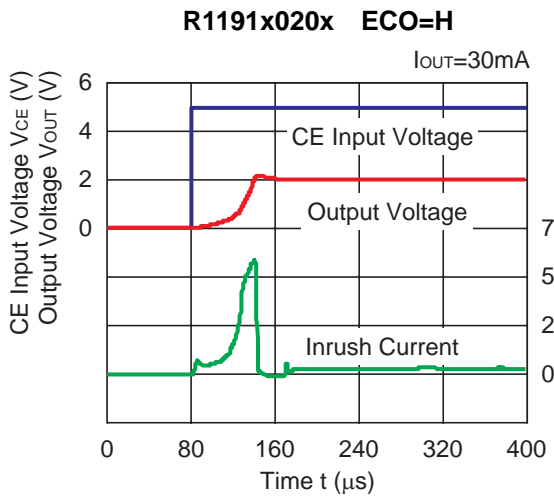
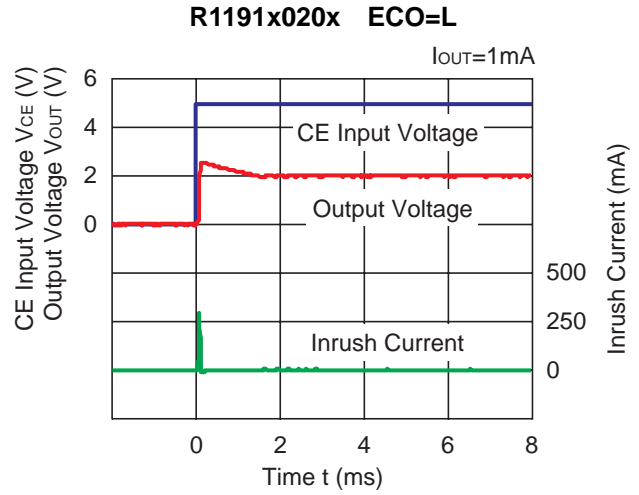
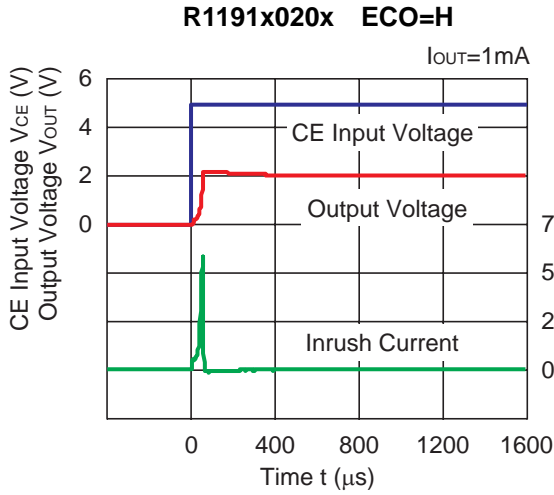
**R1191x150x ECO=H**



**R1191x150x ECO=L**

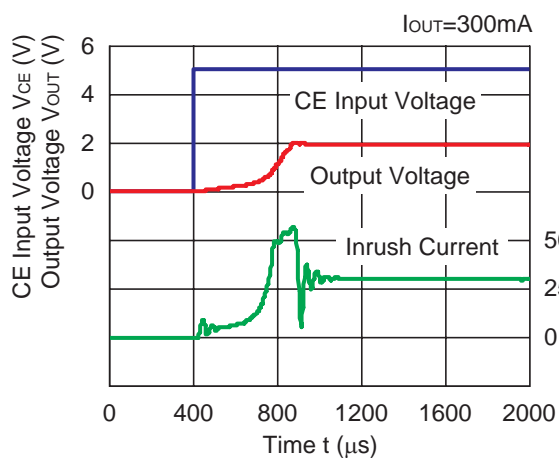


14) Inrush Current at Turn on( $C1=2.2\mu\text{F}$ ,  $C2=4.7\mu\text{F}$ ,  $t_r=0.1\mu\text{s}$ ,  $T_{opt}=25^\circ\text{C}$ )

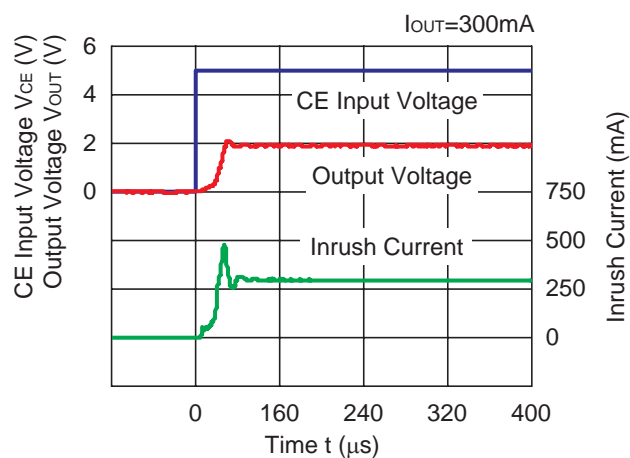




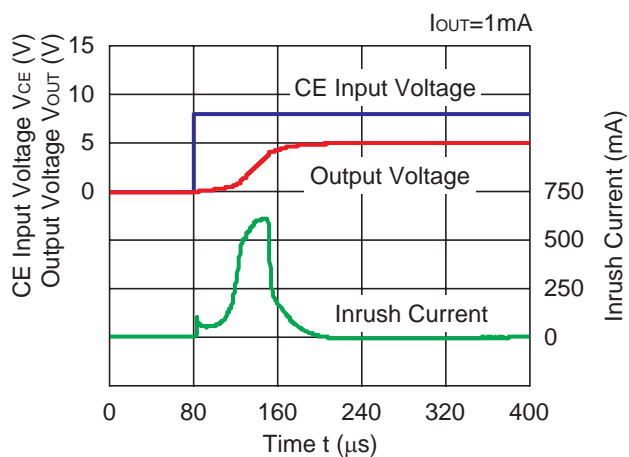
**R1191x020x ECO=H**



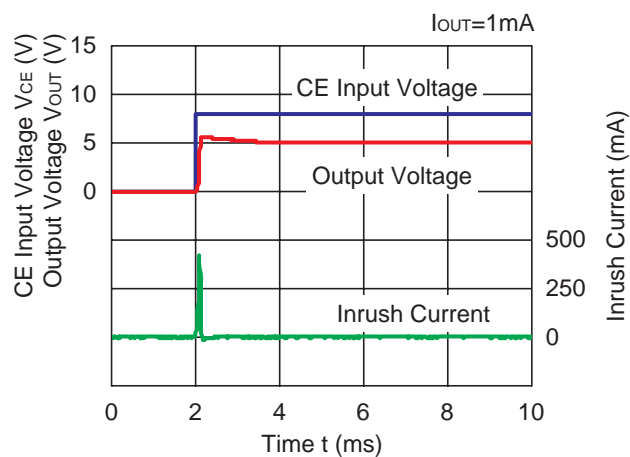
**R1191x020x ECO=L**



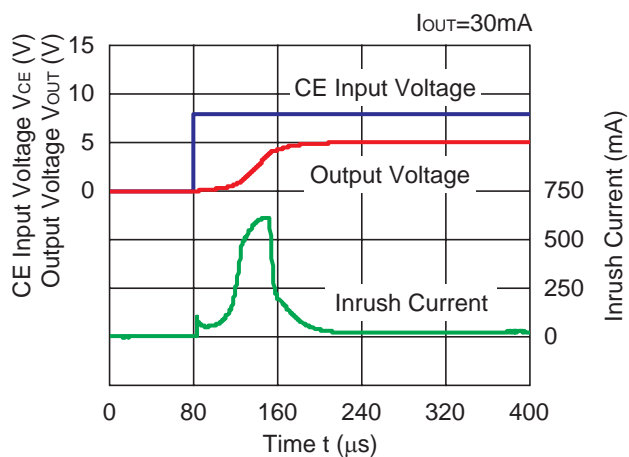
**R1191x050x ECO=H**



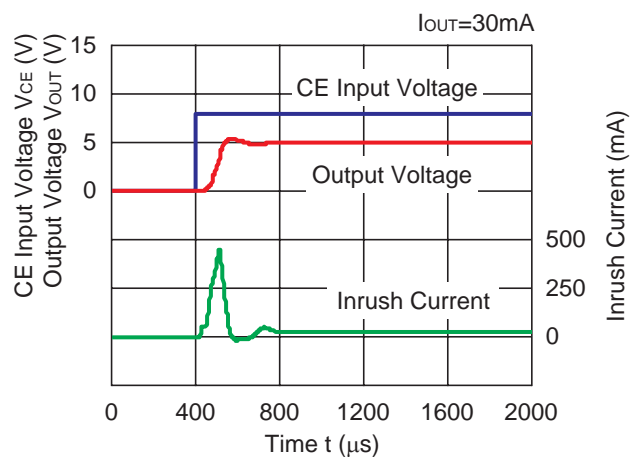
**R1191x050x ECO=L**



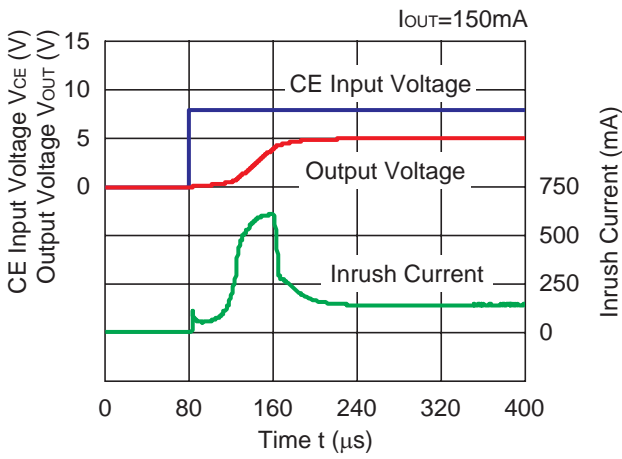
**R1191x050x ECO=H**



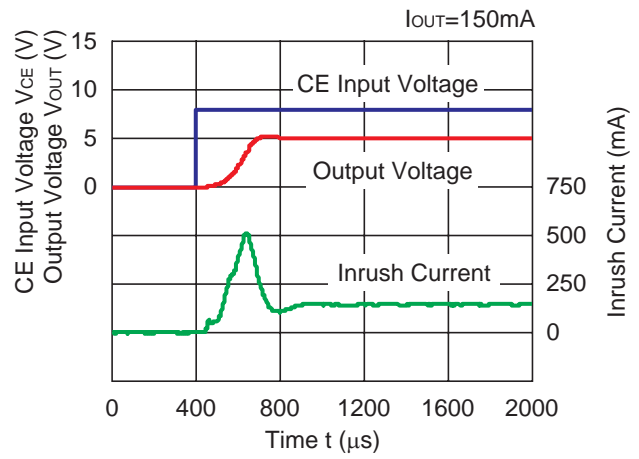
**R1191x050x ECO=L**



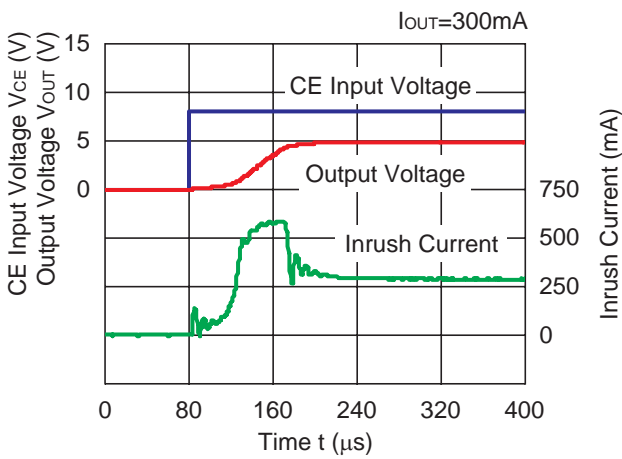
**R1191x050x ECO=H**



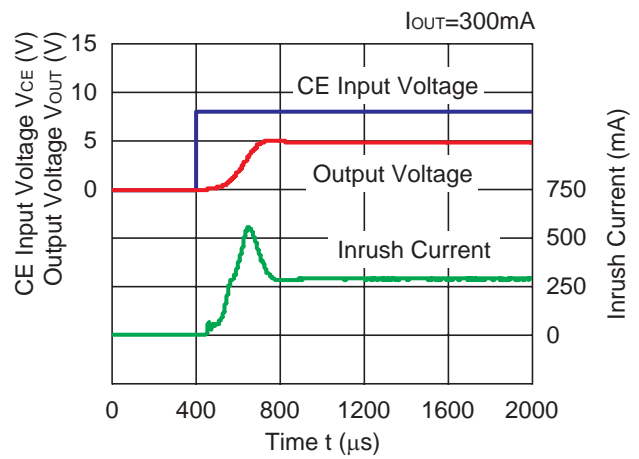
**R1191x050x ECO=L**



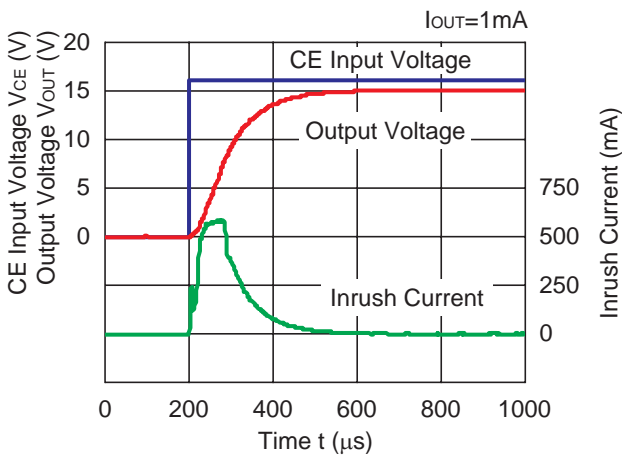
**R1191x050x ECO=H**



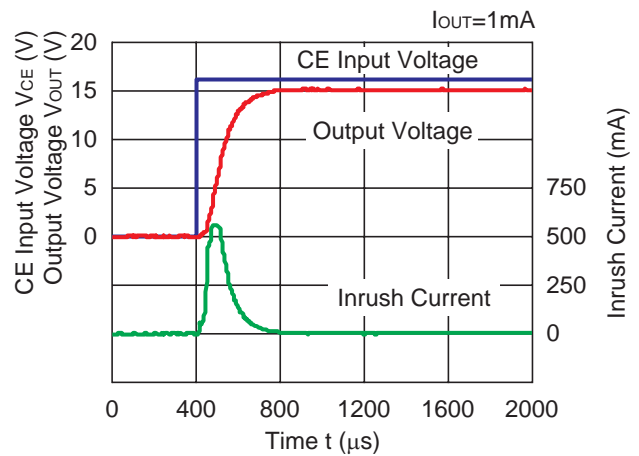
**R1191x050x ECO=L**

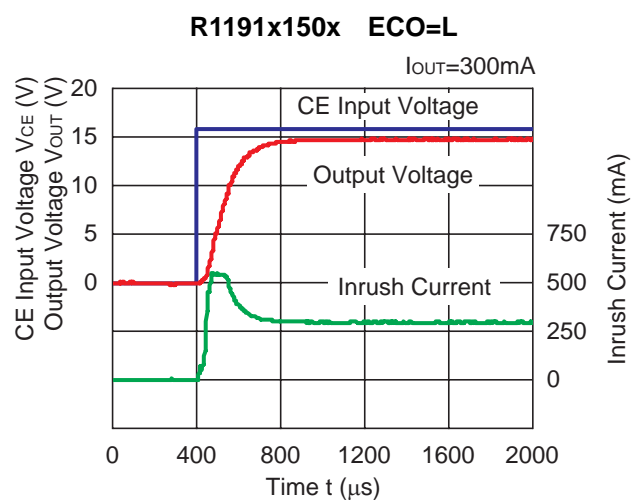
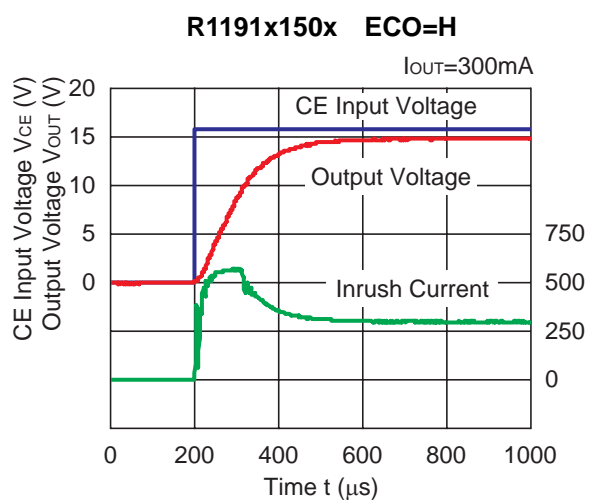
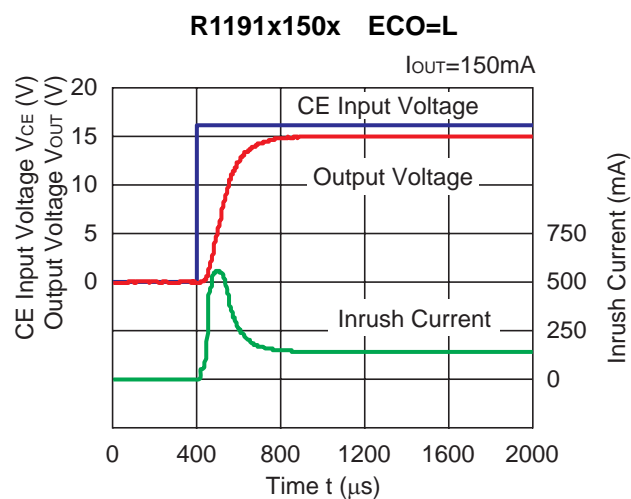
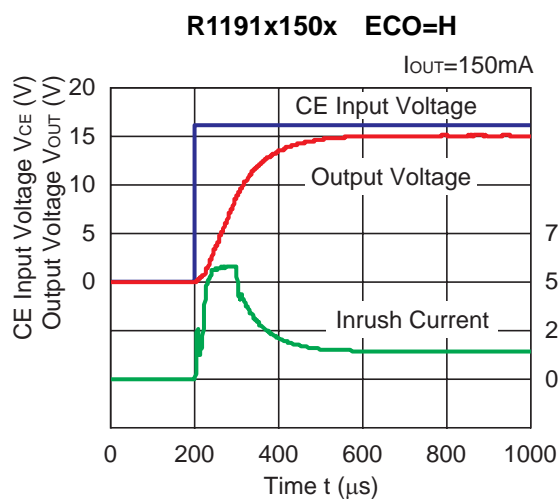
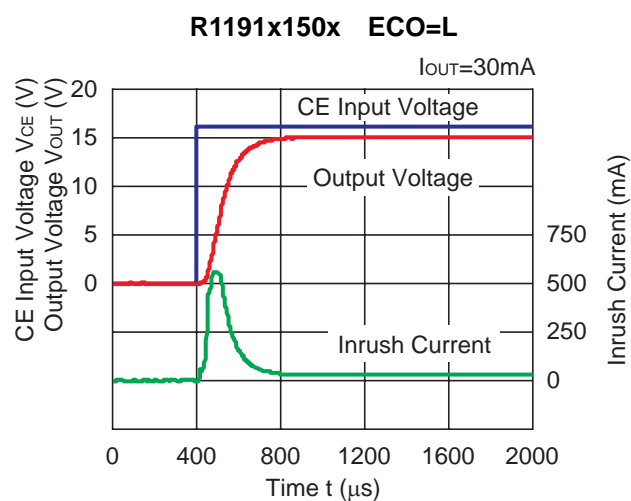
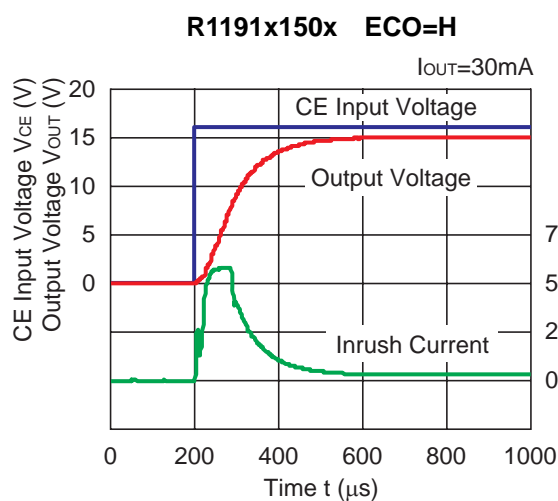


**R1191x150x ECO=H**

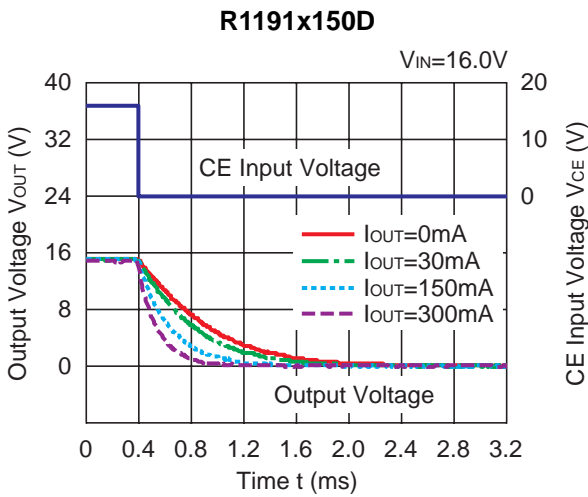
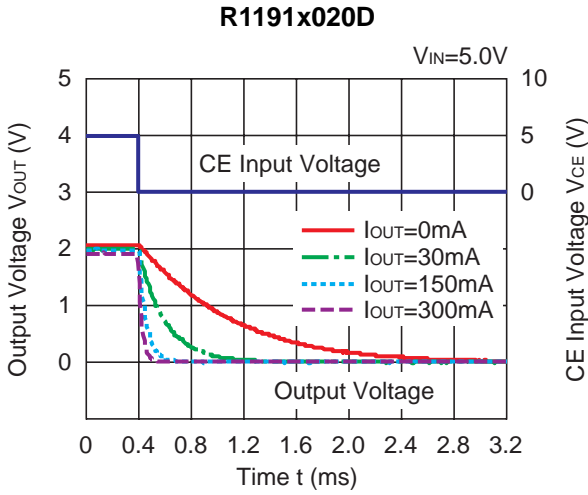


**R1191x150x ECO=L**



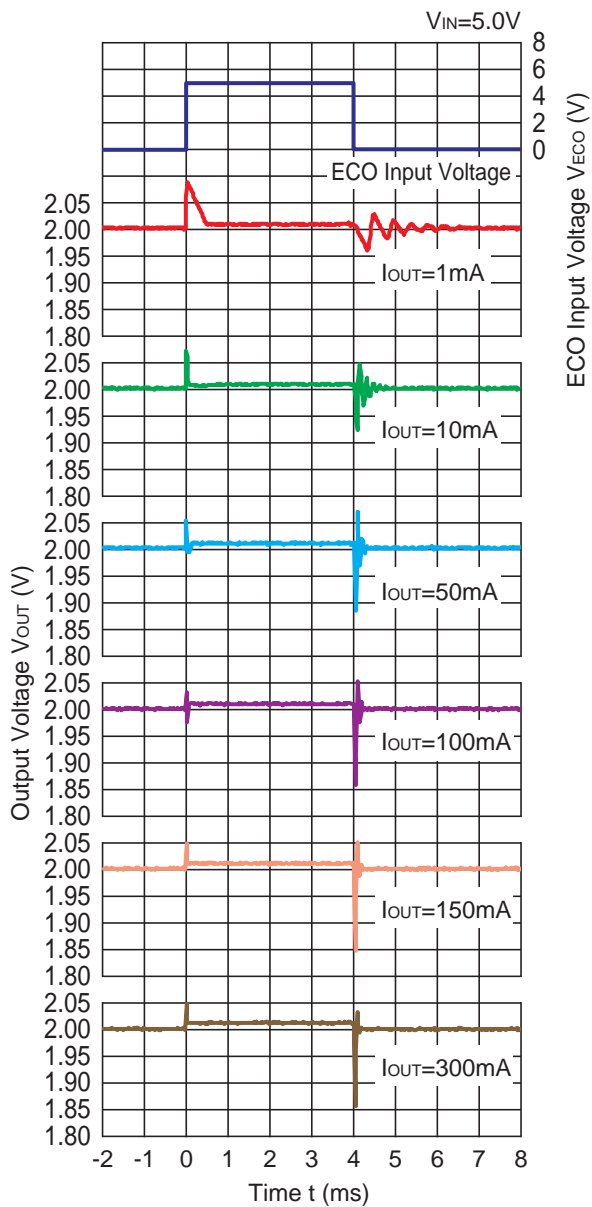


15) Turn Off Speed with CE pin (D Version) (C1=2.2μF, C2=4.7μF, tf=0.1μs, Topt=25°C)

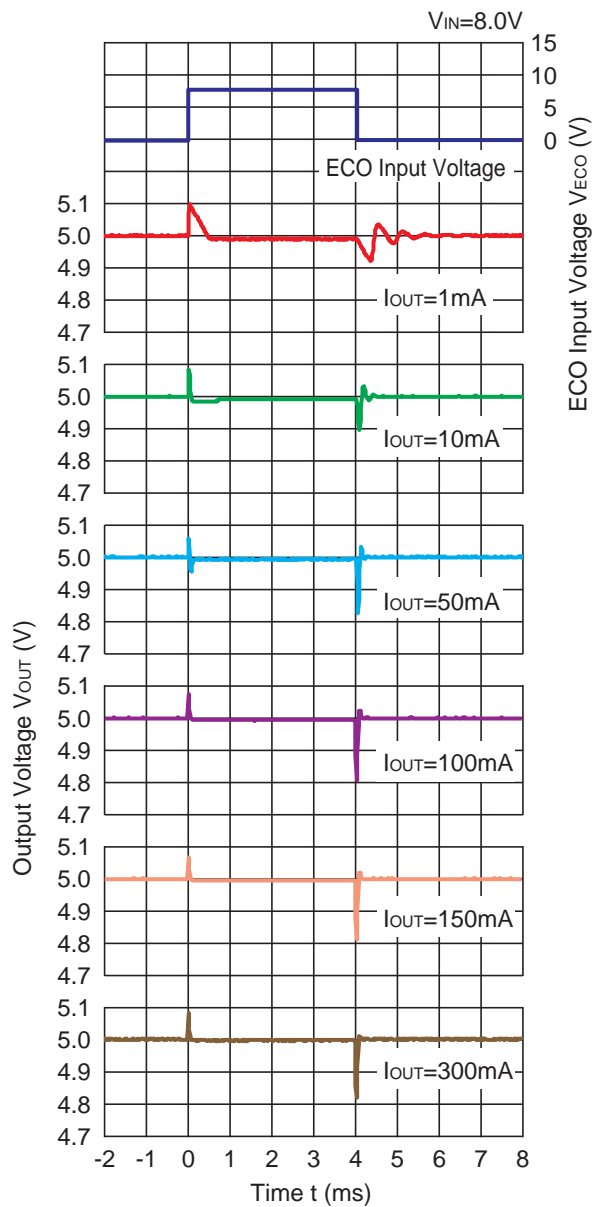


16) Output Voltage at Mode alternative point (C1=2.2μF, C2=4.7μF, tr=tf=0.1μs, Topt=25°C)

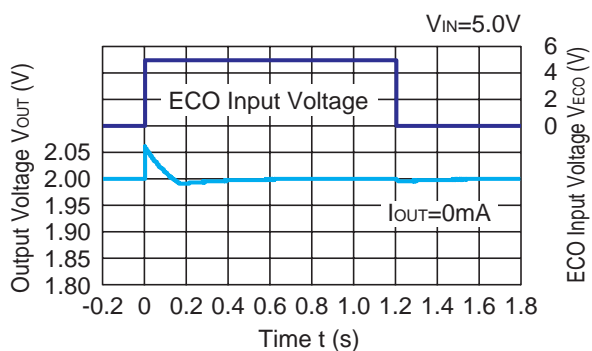
R1191x020x



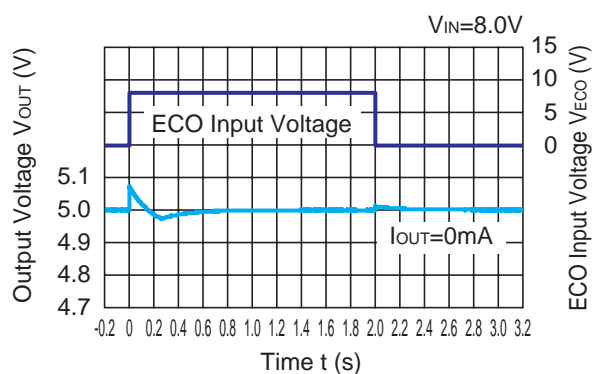
R1191x050x



R1191x020x



R1191x050x

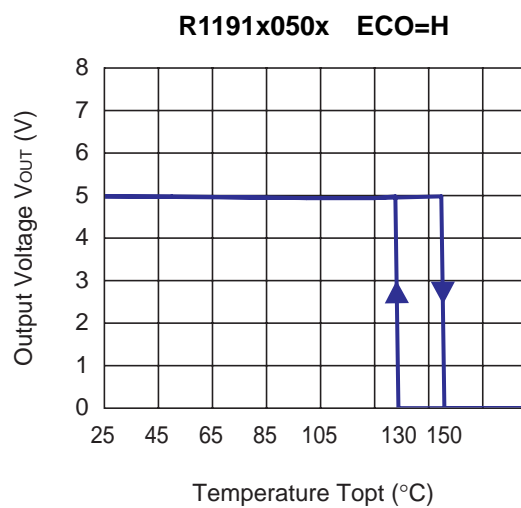


R1191x150x



R1191x150x



**17) Thermal Shutdown Circuit (C1=2.2 $\mu$ F, C2=4.7 $\mu$ F, V<sub>IN</sub>=16V, R<sub>LOAD</sub>=1k $\Omega$ )**

## ESR vs. Output Current

When using these ICs, consider the following points:

The relations between  $I_{OUT}$  (Output Current) and ESR of an output capacitor are shown below.

The conditions when the white noise level is under  $40\mu\text{V}$  (Avg.) are marked as the hatched area in the graph.

### Measurement conditions

Frequency Band : 10Hz to 1MHz

Temperature :  $-40^{\circ}\text{C}$  to  $85^{\circ}\text{C}$

Hatched Area : Noise level is under  $40\mu\text{Vms(Avg.)}$

$C_{IN}$  :  $2.2\mu\text{F}$  Murata (GRM32RB11E225KC01B)

$C_{OUT}$  :  $4.7\mu\text{F}$  Murata (GCM31CR71E475KA40)







1. The products and the product specifications described in this document are subject to change or discontinuation of production without notice for reasons such as improvement. Therefore, before deciding to use the products, please refer to Ricoh sales representatives for the latest information thereon.
2. The materials in this document may not be copied or otherwise reproduced in whole or in part without prior written consent of Ricoh.
3. Please be sure to take any necessary formalities under relevant laws or regulations before exporting or otherwise taking out of your country the products or the technical information described herein.
4. The technical information described in this document shows typical characteristics of and example application circuits for the products. The release of such information is not to be construed as a warranty of or a grant of license under Ricoh's or any third party's intellectual property rights or any other rights.
5. The products listed in this document are intended and designed for use as general electronic components in standard applications (office equipment, telecommunication equipment, measuring instruments, consumer electronic products, amusement equipment etc.). Those customers intending to use a product in an application requiring extreme quality and reliability, for example, in a highly specific application where the failure or misoperation of the product could result in human injury or death (aircraft, spacevehicle, nuclear reactor control system, traffic control system, automotive and transportation equipment, combustion equipment, safety devices, life support system etc.) should first contact us.
6. We are making our continuous effort to improve the quality and reliability of our products, but semiconductor products are likely to fail with certain probability. In order to prevent any injury to persons or damages to property resulting from such failure, customers should be careful enough to incorporate safety measures in their design, such as redundancy feature, fire containment feature and fail-safe feature. We do not assume any liability or responsibility for any loss or damage arising from misuse or inappropriate use of the products.
7. Anti-radiation design is not implemented in the products described in this document.
8. Please contact Ricoh sales representatives should you have any questions or comments concerning the products or the technical information.



**Ricoh is committed to reducing the environmental loading materials in electrical devices with a view to contributing to the protection of human health and the environment.**

Ricoh has been providing RoHS compliant products since April 1, 2006 and Halogen-free products since April 1, 2012.

**RICOH** RICOH ELECTRONIC DEVICES CO., LTD.

<http://www.e-devices.ricoh.co.jp/en/>

#### Sales & Support Offices

##### **RICOH ELECTRONIC DEVICES CO., LTD.**

**Higashi-Shinagawa Office (International Sales)**  
3-32-3, Higashi-Shinagawa, Shinagawa-ku, Tokyo 140-8655, Japan  
Phone: +81-3-5479-2857 Fax: +81-3-5479-0502

##### **RICOH EUROPE (NETHERLANDS) B.V.**

**Semiconductor Support Centre**  
Prof. W.H. Keesomlaan 1, 1183 DJ Amstelveen, The Netherlands  
Phone: +31-20-5474-309

##### **RICOH ELECTRONIC DEVICES KOREA CO., LTD.**

3F, Haesung Bldg. 504, Teheran-ro, Gangnam-gu, Seoul, 135-725, Korea  
Phone: +82-2-2135-5700 Fax: +82-2-2051-5713

##### **RICOH ELECTRONIC DEVICES SHANGHAI CO., LTD.**

Room 403, No.2 Building, No.690 Bilbo Road, Pu Dong New District, Shanghai 201203,  
People's Republic of China  
Phone: +86-21-5027-3200 Fax: +86-21-5027-3299

##### **RICOH ELECTRONIC DEVICES CO., LTD.**

**Taipei office**  
Room 109, 10F-1, No.51, Hengyang Rd., Taipei City, Taiwan (R.O.C.)  
Phone: +886-2-2313-1621/1622 Fax: +886-2-2313-1623

# Mouser Electronics

Authorized Distributor

Click to View Pricing, Inventory, Delivery & Lifecycle Information:

## Ricoh Electronics:

[R1191N030B-TR-FE](#) [R1191H150D-T1-FE](#) [R1191N050B-TR-FE](#) [R1191N050D-TR-FE](#) [R1191H033B-T1-FE](#)  
[R1191L030D-TR](#) [R1191L050D-TR](#) [R1191L028D-TR](#) [R1191N090B-TR-FE](#) [R1191L033D-TR](#) [R1191L090D-TR](#)  
[R1191N090D-TR-FE](#) [R1191L150D-TR](#) [R1191H030D-T1-FE](#) [R1191H090B-T1-FE](#) [R1191N120D-TR-FE](#)  
[R1191L120D-TR](#) [R1191N033D-TR-FE](#) [R1191N150D-TR-FE](#) [R1191H050D-T1-FE](#) [R1191H033D-T1-FE](#)  
[R1191N033B-TR-FE](#) [R1191H050B-T1-FE](#) [R1191N030D-TR-FE](#) [R1191N120B-TR-FE](#) [R1191H030B-T1-FE](#)

Компания «Океан Электроники» предлагает заключение долгосрочных отношений при поставках импортных электронных компонентов на взаимовыгодных условиях!

Наши преимущества:

- Поставка оригинальных импортных электронных компонентов напрямую с производств Америки, Европы и Азии, а так же с крупнейших складов мира;
- Широкая линейка поставок активных и пассивных импортных электронных компонентов (более 30 млн. наименований);
- Поставка сложных, дефицитных, либо снятых с производства позиций;
- Оперативные сроки поставки под заказ (от 5 рабочих дней);
- Экспресс доставка в любую точку России;
- Помощь Конструкторского Отдела и консультации квалифицированных инженеров;
- Техническая поддержка проекта, помощь в подборе аналогов, поставка прототипов;
- Поставка электронных компонентов под контролем ВП;
- Система менеджмента качества сертифицирована по Международному стандарту ISO 9001;
- При необходимости вся продукция военного и аэрокосмического назначения проходит испытания и сертификацию в лаборатории (по согласованию с заказчиком);
- Поставка специализированных компонентов военного и аэрокосмического уровня качества (Xilinx, Altera, Analog Devices, Intersil, Interpoint, Microsemi, Actel, Aeroflex, Peregrine, VPT, Syfer, Eurofarad, Texas Instruments, MS Kennedy, Miteq, Cobham, E2V, MA-COM, Hittite, Mini-Circuits, General Dynamics и др.);

Компания «Океан Электроники» является официальным дистрибьютором и эксклюзивным представителем в России одного из крупнейших производителей разъемов военного и аэрокосмического назначения «JONHON», а так же официальным дистрибьютором и эксклюзивным представителем в России производителя высокотехнологичных и надежных решений для передачи СВЧ сигналов «FORSTAR».



## JONHON

«JONHON» (основан в 1970 г.)

Разъемы специального, военного и аэрокосмического назначения:

(Применяются в военной, авиационной, аэрокосмической, морской, железнодорожной, горно- и нефтедобывающей отраслях промышленности)

«FORSTAR» (основан в 1998 г.)

ВЧ соединители, коаксиальные кабели, кабельные сборки и микроволновые компоненты:

(Применяются в телекоммуникациях гражданского и специального назначения, в средствах связи, РЛС, а так же военной, авиационной и аэрокосмической отраслях промышленности).



Телефон: 8 (812) 309-75-97 (многоканальный)

Факс: 8 (812) 320-03-32

Электронная почта: [ocean@oceanchips.ru](mailto:ocean@oceanchips.ru)

Web: <http://oceanchips.ru/>

Адрес: 198099, г. Санкт-Петербург, ул. Калинина, д. 2, корп. 4, лит. А