

USER CONFIGURABLE CLOCK

ICS525-01/02

Description

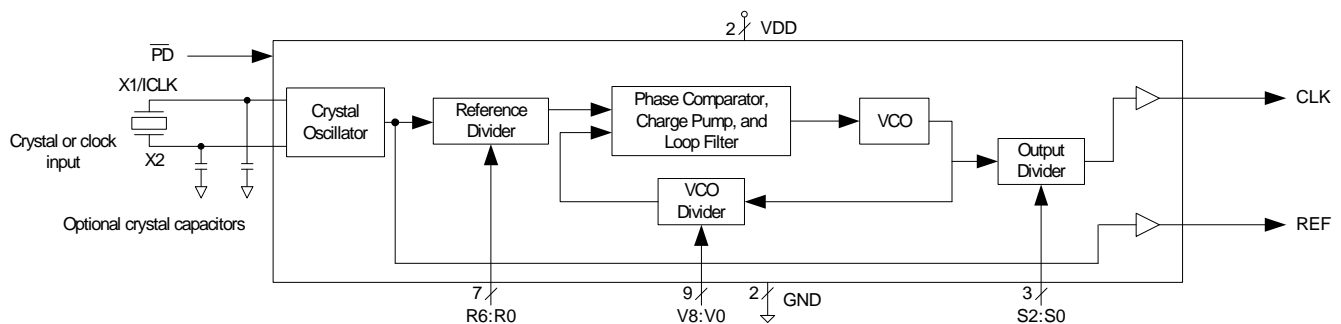
The ICS525-01/02 are the most flexible way to generate a high-quality, high-accuracy, high-frequency clock output from an inexpensive crystal or clock input. The user can configure the device to produce nearly any output frequency from any input frequency by grounding or floating the select pins. Neither microcontroller, software, nor device programmer are needed to set the frequency. Using Phase-Locked Loop (PLL) techniques, the device accepts a standard fundamental mode, inexpensive crystal to produce output clocks up to 250 MHz. It can also produce a highly accurate output clock from a given input clock, keeping them frequency locked together.

For similar capability with a serial interface, use the ICS307. For simple multipliers to produce common frequencies, refer to the ICS50x family of parts, which are smaller and more cost effective.

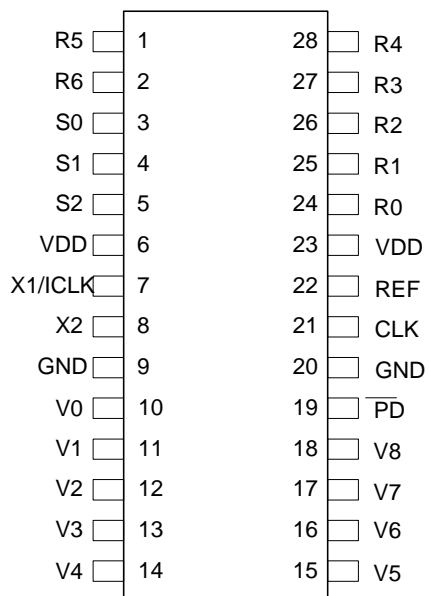
These products are intended for clock generation. They have low output jitter (variation in the output period), but input to output skew and jitter are not defined nor guaranteed. For applications which require defined input to output timing, use the ICS527-01.

Features

- Packaged as 28-pin SSOP (150 mil body)
- Industrial and commercial versions available in Pb (lead) free package
- User determines the output frequency by setting all internal dividers
- Eliminates need for custom oscillators
- No software needed
- Online calculator determines register settings
- Pull-ups on all select inputs
- Input crystal frequency of 5 - 27 MHz
- Input clock frequency of 2 - 50 MHz
- Very low jitter
- Duty cycle of 45/55 up to 200 MHz
- Operating voltage of 3.0 V or 5.5 V
- Ideal for oscillator replacement
- Industrial temperature version available
- For Zero Delay, refer to the ICS527

Block Diagram


Pin Assignment



ICS525-01/-02

Pin Descriptions

| Pin Number | Pin Name | Pin Type | Pin Description |
|-------------|-----------------|----------|--|
| 1, 2, 24-28 | R5, R6, R0-R4 | I(PU) | Reference divider word input pins determined by user. Forms a binary number from 0 to 127. |
| 3, 4, 5 | S0, S1, S2 | I(PU) | Select pins for output divider determined by user. See table on page 3 |
| 6, 23 | VDD | Power | Connect to VDD. |
| 7 | X1/ICLK | X1 | Crystal connection. Connect to a parallel resonant fundamental crystal or input clock. |
| 8 | X2 | X2 | Crystal connection. Connect to a crystal or leave unconnected for clock. |
| 9, 20 | GND | Power | Connect to ground. |
| 10 - 18 | V0 - V8 | I(PU) | VCO divider word input pins determined by user. Forms a binary number from 0 to 511. |
| 19 | \overline{PD} | Input | Power-down. Active low. Turns off entire chip when low. Clock outputs tri-stated. |
| 21 | CLK | Output | Output clock determined by status of R0-R6, V-V8, S0-S2, and input frequency. |
| 22 | REF | Output | Reference output. Buffered crystal oscillator (or clock) output. |

KEY: I(PU) = Input with internal pull-up resistor; X1, X2 = crystal connections

ICS525-01 Output Frequency and Output Divider Table

| S2 Pin 5 | S1 Pin 4 | S0 Pin 3 | CLK Output Divider | Output Frequency Range (MHz) | | | |
|-------------|-------------|-------------|-----------------------|------------------------------|--------------|-------------|--------------|
| | | | | VDD = 5 V | | VDD = 3.3 V | |
| | | | | 0 - 70°C | -40 to +85°C | 0 - 70°C | -40 to +85°C |
| 0 | 0 | 0 | 10 | 3–26 | 3–23 | 3–18 | 3–16 |
| 0 | 0 | 1 | 2 | 15–160 | 15–140 | 15–100 | 15–90 |
| 0 | 1 | 0 | 8 | 3.75–40 | 3.75–36 | 3.75–25 | 3.75–22 |
| 0 | 1 | 1 | 4 | 7.5–80 | 7.5–72 | 7.5–50 | 7.5–45 |
| 1 | 0 | 0 | 5 | 6–50 | 6–45 | 6–34 | 6–30 |
| 1 | 0 | 1 | 7 | 4–40 | 4–36 | 4–26 | 4–23 |
| 1 | 1 | 0 | 9 | 3.3–33.3 | 3.3–30 | 3.3–20 | 3.3–18 |
| 1 | 1 | 1 | 6 | 5–53 | 5–47 | 5–27 | 5–24 |

ICS525-02 Output Frequency and Output Divider Table

| S2 Pin 5 | S1 Pin 4 | S0 Pin 3 | CLK Output Divider | Output Frequency Range (MHz) | |
|-------------|-------------|-------------|-----------------------|------------------------------|-------------|
| | | | | VDD = 5 V | VDD = 3.3 V |
| | | | | -40 to +85°C | |
| 0 | 0 | 0 | 6 | 5–67 | 5–40 |
| 0 | 0 | 1 | 2 | 15–200 | 15–120 |
| 0 | 1 | 0 | 8 | 3.75–50 | 3.75–30 |
| 0 | 1 | 1 | 4 | 7.5–100 | 7.5–60 |
| 1 | 0 | 0 | 5 | 6–80 | 6–48 |
| 1 | 0 | 1 | 7 | 4–57 | 4–34 |
| 1 | 1 | 0 | 1 | 30–250 | 30–200 |
| 1 | 1 | 1 | 3 | 10–133 | 10–80 |

External Components/Crystal Selection

Decoupling Capacitors

The ICS525-01/02 requires two 0.01µF decoupling capacitors to be connected between VDD and GND, one on each side of the chip. The capacitor must be connected close to the device to minimize lead inductance.

External Resistors

A 33Ω series termination resistor should be used on the CLK and REF pins.

Crystal Load Capacitors

The approximate total on-chip capacitance for a crystal is 16 pF, so a parallel resonant, fundamental mode crystal with this value of load (correlation) capacitance should be used. For crystals with a specified load capacitance greater than 16 pF, crystal capacitors may be connected from each of the pins X1 and X2 to Ground as shown in the block diagram. The value (in pF) of these crystal caps should be $(CL - 16) \cdot 2$, where CL is the crystal load capacitance in pF. These external capacitors are only required for applications where the exact frequency is critical. For a clock input, connect to X1 and leave X2 unconnected (no capacitors on either).

Determining the Output Frequency

Users have full control in setting the desired output frequency over the range shown in the tables on pages 3-4. To replace a standard oscillator, users should connect the divider select input pins directly to ground (or VDD, although this is not required because of internal pull-ups) during Printed Circuit Board layout. The ICS525 will automatically produce the correct frequency when all components are soldered. It is also possible to connect the inputs to parallel I/O ports to switch frequencies. By choosing dividers carefully, the number of inputs which need to be changed can be minimized. Observe the restrictions on allowed values of VDW and RDW.

Configuration Pin Settings

The output of the ICS525 can be determined by the following simple equation:

$$\text{CLK Frequency} = \text{Input Frequency} \times 2^{\frac{(\text{VDW} + 8)}{(\text{RDW} + 2)}} \cdot \text{OD}$$

Where:

Reference Divider Word (RDW) = 0 to 127 (0 not permitted for ICS525-01)

VCO Divider Word (VDW) = 0 to 511 (0, 1, 2, 3 not permitted for ICS525-01)

Output Divider (OD) = values on pages 3-4

Also, the following operating ranges should be observed:

1. The output frequency must be in the ranges listed on pages 3-4.
2. The phase detector frequency must be above 200 kHz.

$$200\text{kHz} < \frac{\text{InputFrequency}}{(\text{RDW} + 2)}$$

Since all of the inputs have pull-up resistors, it is only necessary to ground the pins that need to be set to zero.

Which Part to Use?

The ICS525-01 is the original configurable clock.

The ICS525-02 has a higher maximum output frequency and a slightly different set of output dividers.

To determine the best combination of VCO, reference, and output divide, use the ICS525 Calculator on our web site.

Absolute Maximum Ratings

Stresses above the ratings listed below can cause permanent damage to the ICS525-01/02. These ratings, which are standard values for IDT commercially rated parts, are stress ratings only. Functional operation of the device at these or any other conditions above those indicated in the operational sections of the specifications is not implied. Exposure to absolute maximum rating conditions for extended periods can affect product reliability. Electrical parameters are guaranteed only over the recommended operating temperature range.

| Item | Rating |
|---|----------------------------|
| Supply Voltage, VDD | 7 V |
| All Inputs and Outputs | -0.5 V to VDD+0.5 V |
| Ambient Operating Temperature, Commercial | 0 to +70°C |
| Ambient Operating Temperature, Industrial | -40 to +85°C |
| Storage Temperature | -65°C to 150°C |
| Junction Temperature | 125°C |
| Soldering Temperature | 260°C (max. of 10 seconds) |

DC Electrical Characteristics

Unless stated otherwise, **VDD = 3.3 V**

| Parameter | Symbol | Conditions | Min. | Typ. | Max. | Units |
|---|-----------------|--|---------|-------|---------|-------|
| Operating Voltage | VDD | | 3.0 | | 5.5 | V |
| Operating Supply Current | IDD | 60 MHz out, no load, 15 MHz crystal, ICS525-01/02 only | | 8 | | mA |
| Operating Supply Current, Power-down | IDD | Pin 19 = 0, Note 1 | | 4 | | μA |
| Input High Voltage | V _{IH} | | 2 | | | V |
| Input Low Voltage | V _{IL} | | | | 0.8 | V |
| Input High Voltage, X1/ICLK only | V _{IH} | ICLK (pin7) | VDD/2+1 | VDD/2 | | V |
| Input Low Voltage, X1/ICLK only | V _{IL} | ICLK (pin7) | | VDD/2 | VDD/2-1 | V |
| Output High Voltage | V _{OH} | I _{OH} = -12 mA | VDD-0.4 | | | V |
| Output Low Voltage | V _{OL} | I _{OL} = 12 mA | | | 0.4 | V |
| Short Circuit Current | | CLK and REF outputs | | ±55 | | mA |
| Input Capacitance | C _{IN} | V, R, S pins and pin 19 | | 4 | | pF |
| On-chip Pull-up Resistor | R _{PU} | V, R, S pins and pin 19 | | 270 | | kΩ |

AC Electrical Characteristics

Unless stated otherwise, $V_{DD} = 3.3\text{ V}$

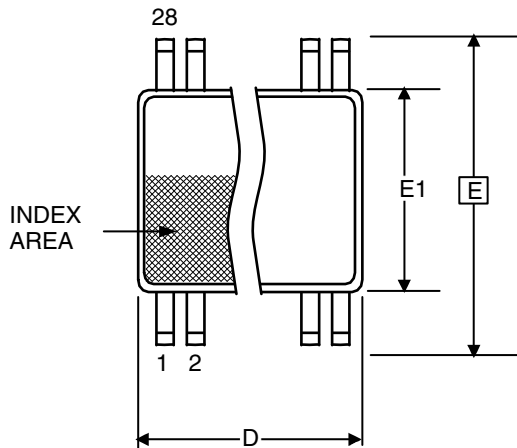
| Parameter | Symbol | Conditions | Min. | Typ. | Max. | Units |
|--|----------|---------------------|------|-----------|------|-------|
| Input Frequency | F_{IN} | Crystal input | 5 | | 27 | MHz |
| | | Clock input | 2 | | 50 | MHz |
| Output Clock Rise Time | | 0.8 to 2.0 V | | 1 | | ns |
| Output Clock Fall Time | | 2.0 to 0.8 V | | 1 | | ns |
| Output Clock Duty Cycle, OD = 2, 4, 6, 8, or 10 | | At $V_{DD}/2$ | 45 | 49 to 51 | 55 | % |
| Output Clock Duty Cycle, OD = 3, 5, 7, or 9 | | At $V_{DD}/2$ | 40 | | 60 | % |
| Output Clock Duty Cycle, OD = 1 (-02 only) | | At $V_{DD}/2$ | 35 | | 65 | |
| Power-down Time, PD low to clocks stopped | | | | | 50 | ns |
| Power-up Time, PD high to clocks stable | | | | | 10 | ms |
| Absolute Clock Period Jitter, ICS525-01, Note 2 | t_{ja} | Deviation from mean | | ± 140 | | ps |
| One Sigma Clock Period Jitter, ICS525-01, Note 2 | t_{js} | One Sigma | | 45 | | ps |
| Absolute Clock Period Jitter, ICS525-02, Note 2 | t_{ja} | Deviation from mean | | ± 85 | | ps |
| One Sigma Clock Period Jitter, ICS525-02, Note 2 | t_{js} | One Sigma | | 30 | | ps |

NOTE 1: Phase relationship between input and output can change at power-up. For a fixed phase relationship, see the ICS527.

NOTE 2: For 16 MHz, 100 MHz output. Use the -02 for lowest jitter.

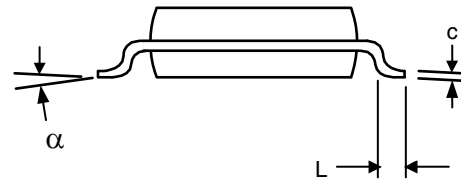
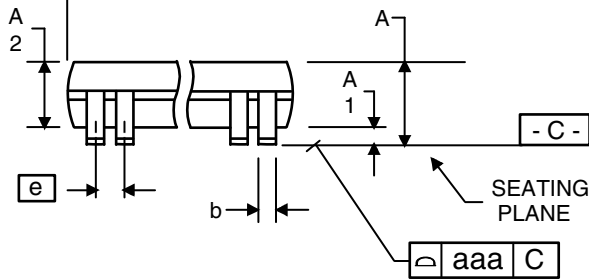
Package Outline and Package Dimensions (28-pin SSOP, 150 mil Body)

Package dimensions are kept current with JEDEC Publication No. 95, MO-153



| Symbol | Millimeters | | Inches* | |
|----------|-------------|-------|-------------|-------|
| | Min | Max | Min | Max |
| A | 1.35 | 1.75 | .053 | .069 |
| A1 | 0.10 | 0.25 | .0040 | .010 |
| A2 | -- | 1.50 | -- | .059 |
| b | 0.20 | 0.30 | .008 | .012 |
| C | 0.18 | 0.25 | .007 | .010 |
| D | 9.80 | 10.00 | .386 | .394 |
| E | 5.80 | 6.20 | .228 | .244 |
| E1 | 3.80 | 4.00 | .150 | .157 |
| e | 0.635 Basic | | 0.025 Basic | |
| L | 0.40 | 1.27 | .016 | .050 |
| α | 0° | 8° | 0° | 8° |
| aaa | -- | 0.10 | -- | 0.004 |

*For reference only. Controlling dimensions in mm.



Ordering Information

| Part / Order Number | Marking | Shipping Packaging | Package | Temperature |
|---------------------|---------------|--------------------|-------------|--------------|
| 525-01RLF | ICS525-01RLF | Tubes | 28-pin SSOP | 0 to +70°C |
| 525-01RLFT | ICS525-01RLF | Tape and Reel | 28-pin SSOP | 0 to +70°C |
| 525-01RILF | ICS525-01RILF | Tubes | 28-pin SSOP | -40 to +85°C |
| 525-01RILFT | ICS525-01RILF | Tape and Reel | 28-pin SSOP | -40 to +85°C |
| 525R-02LF | ICS525R-02LF | Tubes | 28-pin SSOP | 0 to +70°C |
| 525R-02LFT | ICS525R-02LF | Tape and Reel | 28-pin SSOP | 0 to +70°C |
| 525R-02ILF | ICS525R-02ILF | Tubes | 28-pin SSOP | -40 to +85°C |
| 525R-02ILFT | ICS525R-02ILF | Tape and Reel | 28-pin SSOP | -40 to +85°C |

Parts that are ordered with a "LF" suffix to the part number are the Pb-Free configuration and are RoHS compliant.

While the information presented herein has been checked for both accuracy and reliability, Integrated Device Technology (IDT) assumes no responsibility for either its use or for the infringement of any patents or other rights of third parties, which would result from its use. No other circuits, patents, or licenses are implied. This product is intended for use in normal commercial applications. Any other applications such as those requiring extended temperature range, high reliability, or other extraordinary environmental requirements are not recommended without additional processing by IDT. IDT reserves the right to change any circuitry or specifications without notice. IDT does not authorize or warrant any IDT product for use in life support devices or critical medical instruments.

Revision History

Rev. U – removed -11 and -12 references/parts from datasheet. The devices are obsolete.

Innovate with IDT and accelerate your future networks. Contact:

www.IDT.com

For Sales

800-345-7015
408-284-8200
Fax: 408-284-2775

For Tech Support

www.idt.com/go/clockhelp

Corporate Headquarters

Integrated Device Technology, Inc.
www.idt.com



Компания «Океан Электроники» предлагает заключение долгосрочных отношений при поставках импортных электронных компонентов на взаимовыгодных условиях!

Наши преимущества:

- Поставка оригинальных импортных электронных компонентов напрямую с производств Америки, Европы и Азии, а так же с крупнейших складов мира;
- Широкая линейка поставок активных и пассивных импортных электронных компонентов (более 30 млн. наименований);
- Поставка сложных, дефицитных, либо снятых с производства позиций;
- Оперативные сроки поставки под заказ (от 5 рабочих дней);
- Экспресс доставка в любую точку России;
- Помощь Конструкторского Отдела и консультации квалифицированных инженеров;
- Техническая поддержка проекта, помощь в подборе аналогов, поставка прототипов;
- Поставка электронных компонентов под контролем ВП;
- Система менеджмента качества сертифицирована по Международному стандарту ISO 9001;
- При необходимости вся продукция военного и аэрокосмического назначения проходит испытания и сертификацию в лаборатории (по согласованию с заказчиком);
- Поставка специализированных компонентов военного и аэрокосмического уровня качества (Xilinx, Altera, Analog Devices, Intersil, Interpoint, Microsemi, Actel, Aeroflex, Peregrine, VPT, Syfer, Eurofarad, Texas Instruments, MS Kennedy, Miteq, Cobham, E2V, MA-COM, Hittite, Mini-Circuits, General Dynamics и др.);

Компания «Океан Электроники» является официальным дистрибьютором и эксклюзивным представителем в России одного из крупнейших производителей разъемов военного и аэрокосмического назначения «JONHON», а так же официальным дистрибьютором и эксклюзивным представителем в России производителя высокотехнологичных и надежных решений для передачи СВЧ сигналов «FORSTAR».



JONHON

«JONHON» (основан в 1970 г.)

Разъемы специального, военного и аэрокосмического назначения:

(Применяются в военной, авиационной, аэрокосмической, морской, железнодорожной, горно- и нефтедобывающей отраслях промышленности)

«FORSTAR» (основан в 1998 г.)

ВЧ соединители, коаксиальные кабели, кабельные сборки и микроволновые компоненты:

(Применяются в телекоммуникациях гражданского и специального назначения, в средствах связи, РЛС, а так же военной, авиационной и аэрокосмической отраслях промышленности).



Телефон: 8 (812) 309-75-97 (многоканальный)

Факс: 8 (812) 320-03-32

Электронная почта: ocean@oceanchips.ru

Web: <http://oceanchips.ru/>

Адрес: 198099, г. Санкт-Петербург, ул. Калинина, д. 2, корп. 4, лит. А