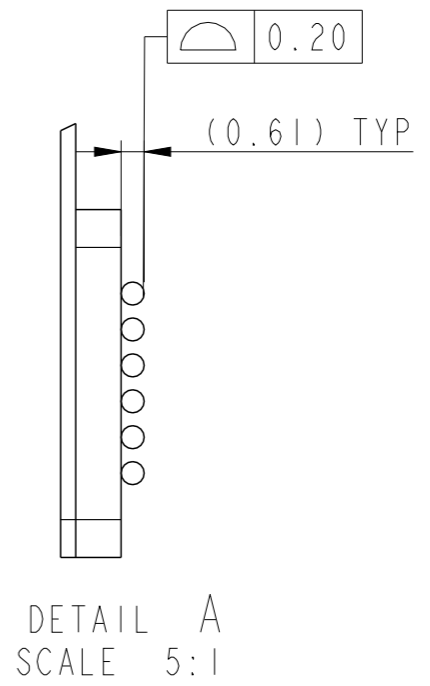
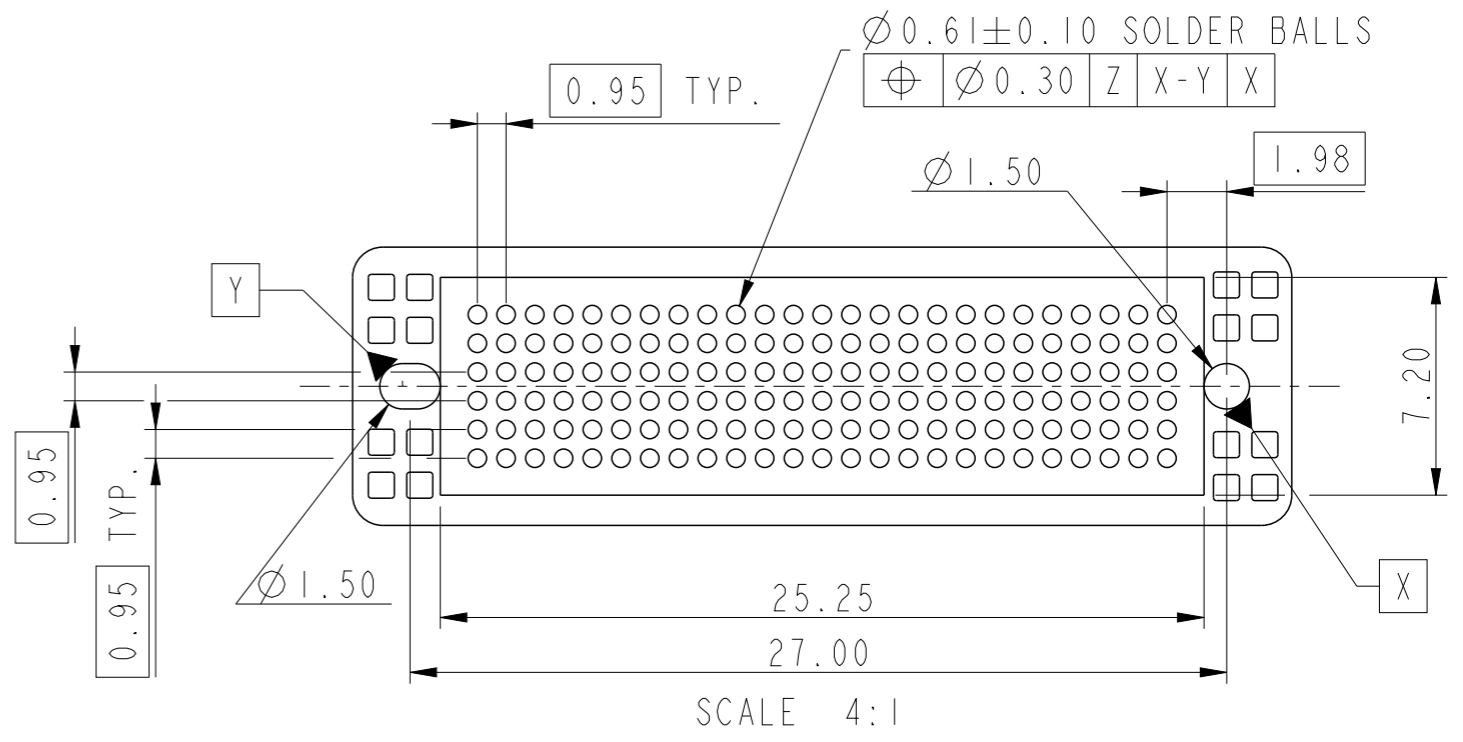
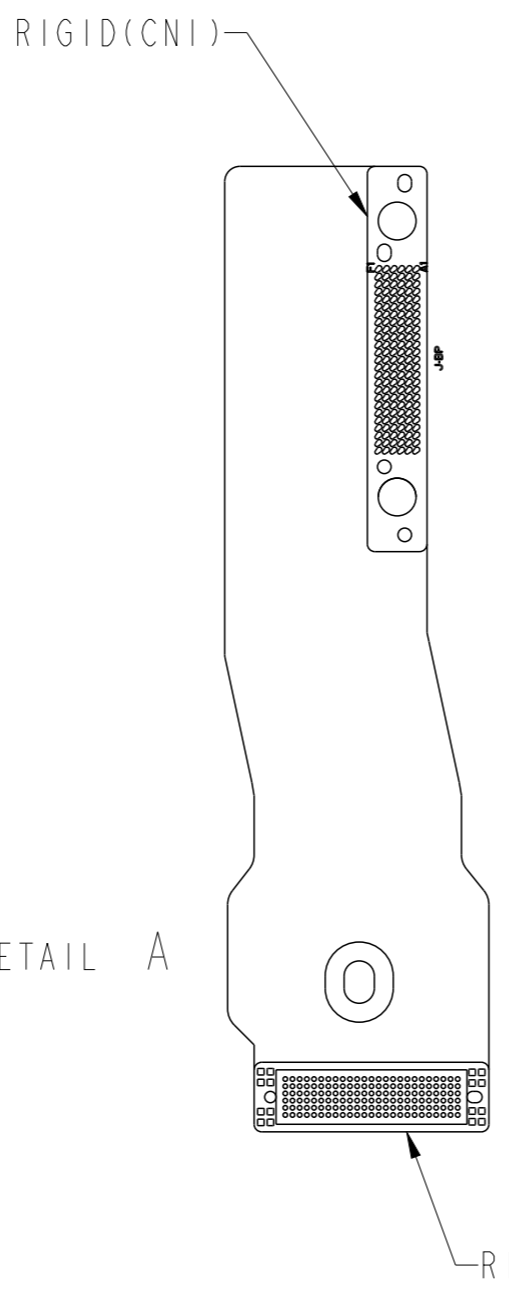
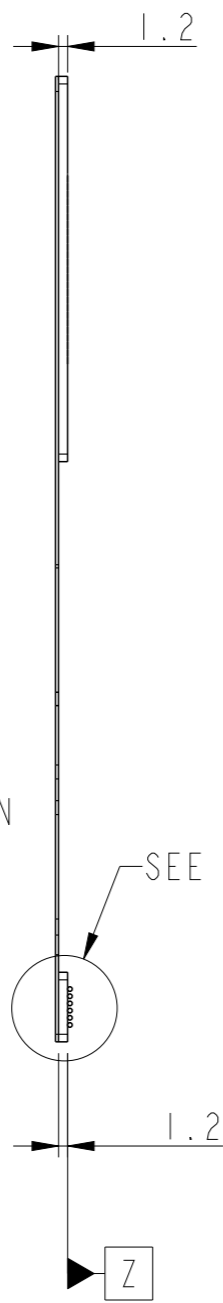
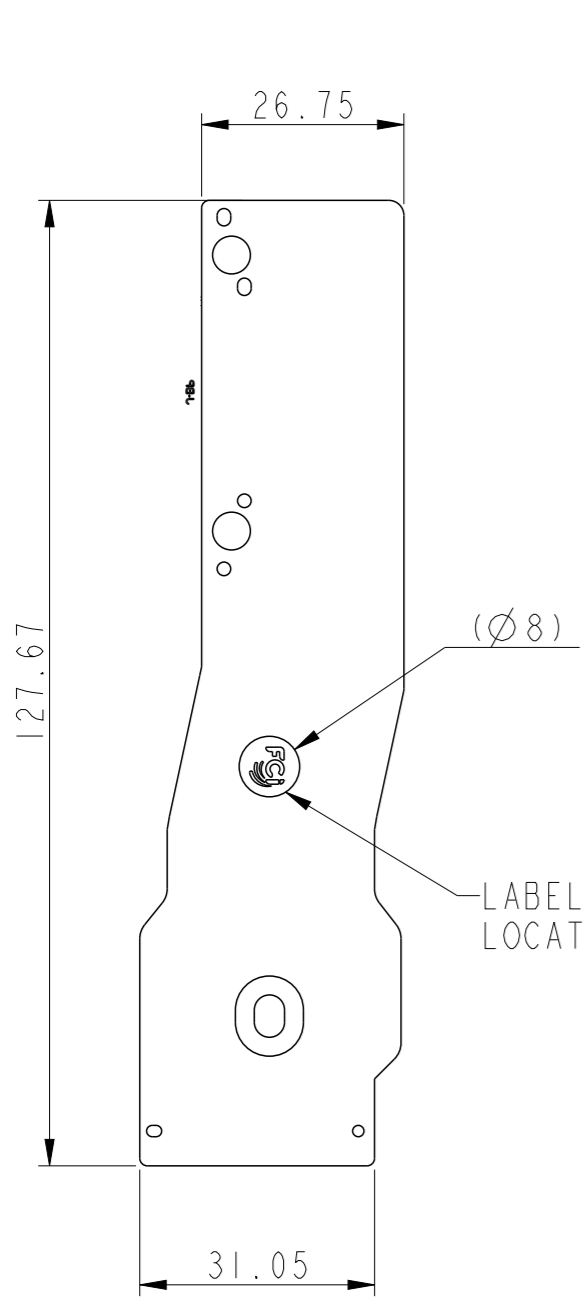


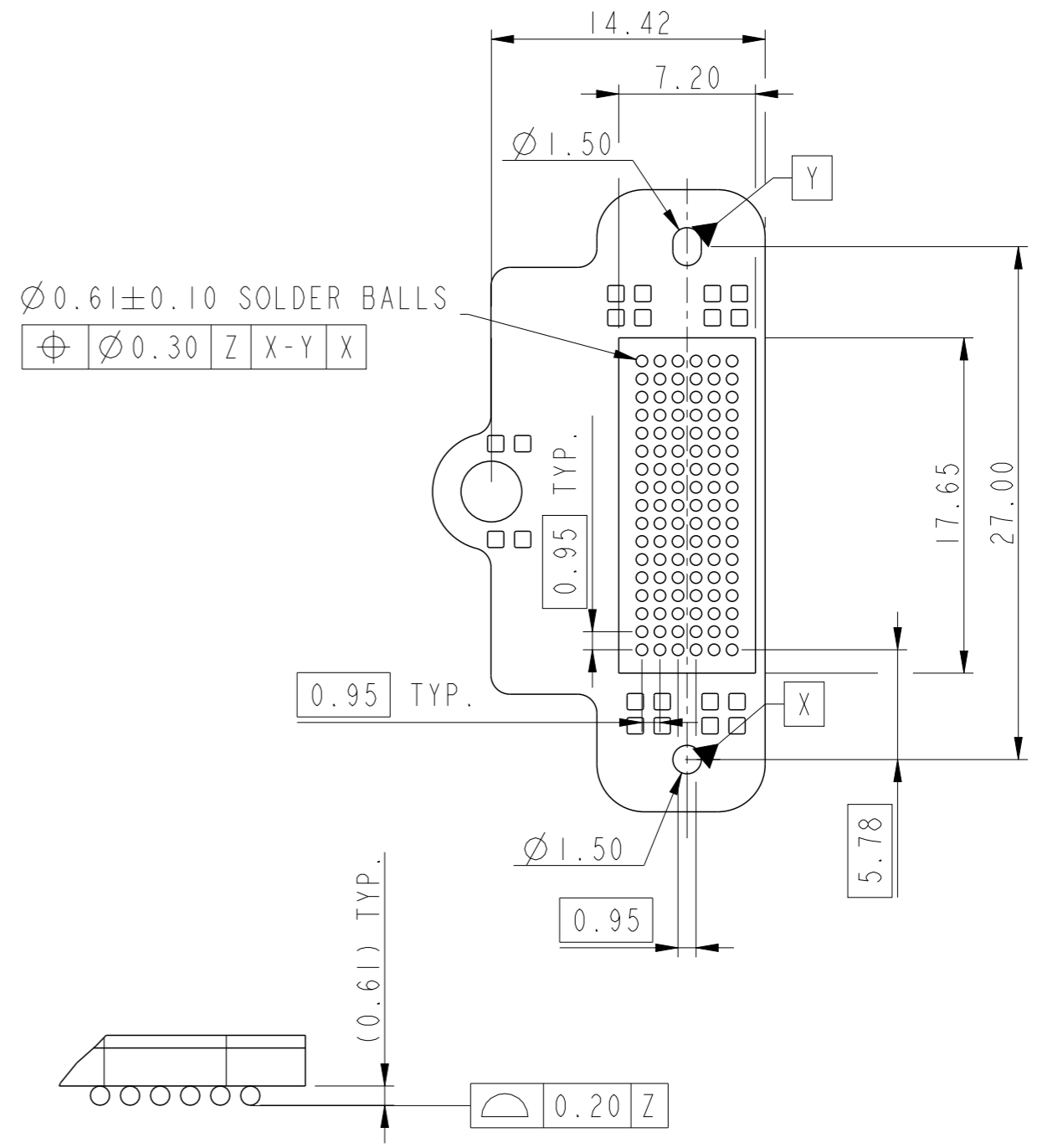
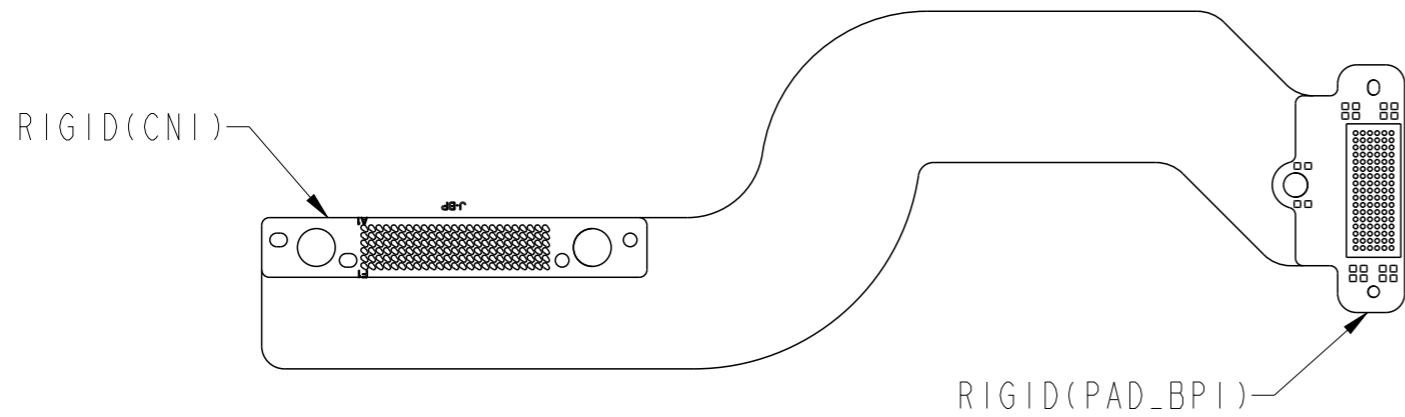
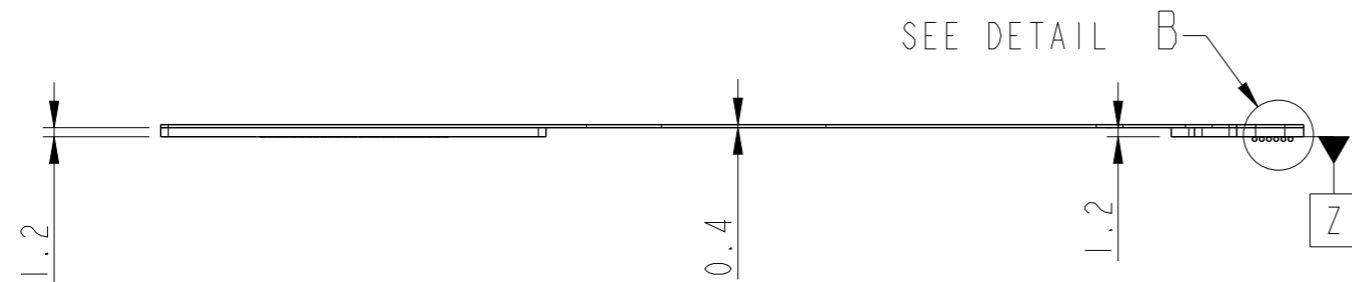
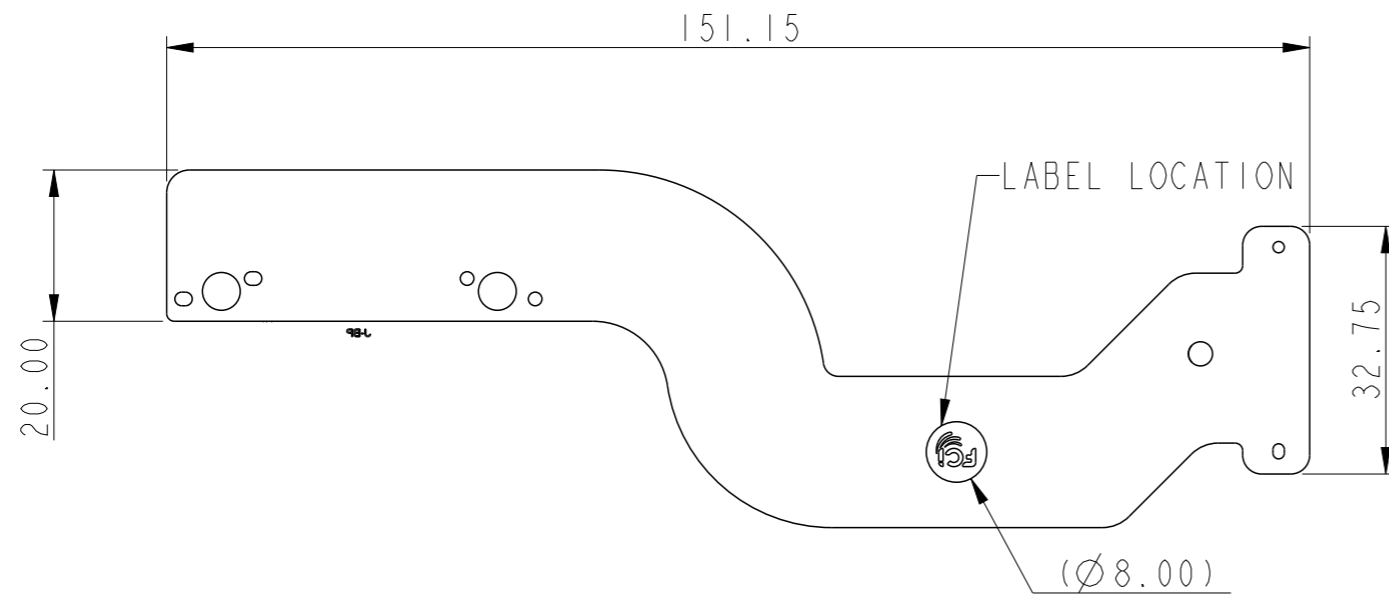
| Product P/N | Wistron P/N | BGA Array Pattern |
|--------------------|----------------|-------------------|
| 10129553-14430TxLF | 550.00501.0011 | 6X25 |
| 10129553-14430MxLF | 550.00501.0001 | |
| 10129553-14430WxLF | 550.00501.0021 | |



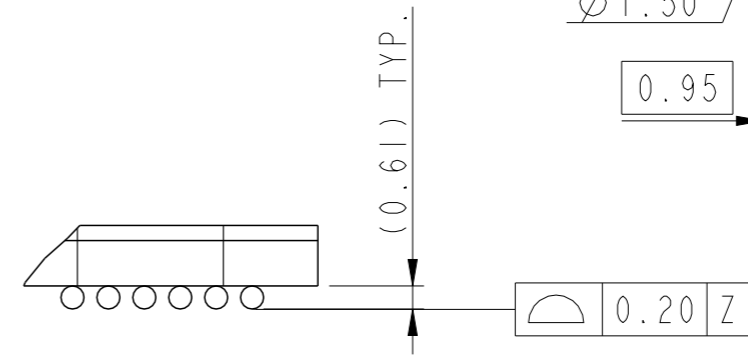
| | | | | | | | | | | |
|---------------------------------------|------------|-------|--------------|---------------------|----------------------------------|------------------------|---------------|----------------|-----------|----------|
| spec ref | - | dr | Zhen Luo | 2016/08/18 | projection | MM | size | A3 | scale | 1:1 |
| tolerance std | ASME Y14.5 | eng | Michael Song | 2016/12/07 | | | ecn no | ELX-DG-25561-1 | rel level | Released |
| TOLERANCES UNLESS OTHERWISE SPECIFIED | | chr | Heaven Cen | 2016/12/07 | | | | | | |
| surface | linear | 0.X | ±0.30 | Amphenol FCI | Flex Cable BGA Assembly Brawn | | dwg no | 10129553 | rev | B |
| | | 0.XX | ±0.20 | | | | | | | |
| | | 0.XXX | ±0.10 | | | | | | | |
| ASME Y14.5 | angular | 0° | ±2° | cat. no. | - | Product - Customer Drw | sheet 1 of 11 | | | |

© 2016 AFCI
 Amphenol FCI

| Product P/N | Wistron P/N | BGA Array Pattern |
|--------------------|----------------|-------------------|
| 10129553-14426TxLF | 550.00609.0001 | 6X17 |
| 10129553-14426MxLF | 550.00609.0011 | |
| 10129553-14426WxLF | 550.00609.0021 | |



Ø0.61±0.10 SOLDER BALLS
 ⊕ Ø0.30 Z | X-Y | X

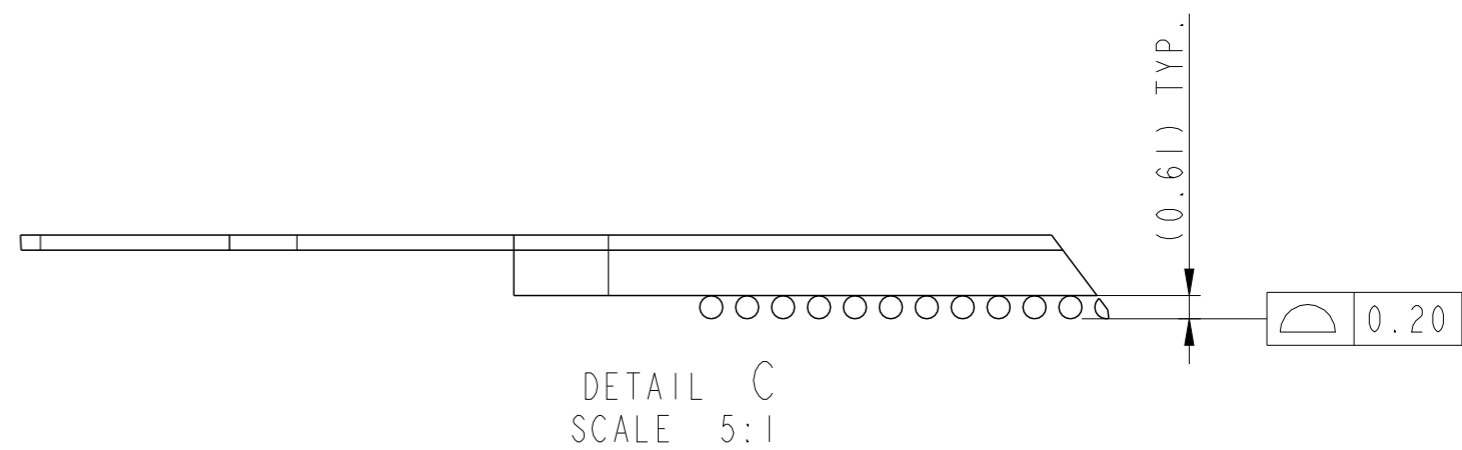
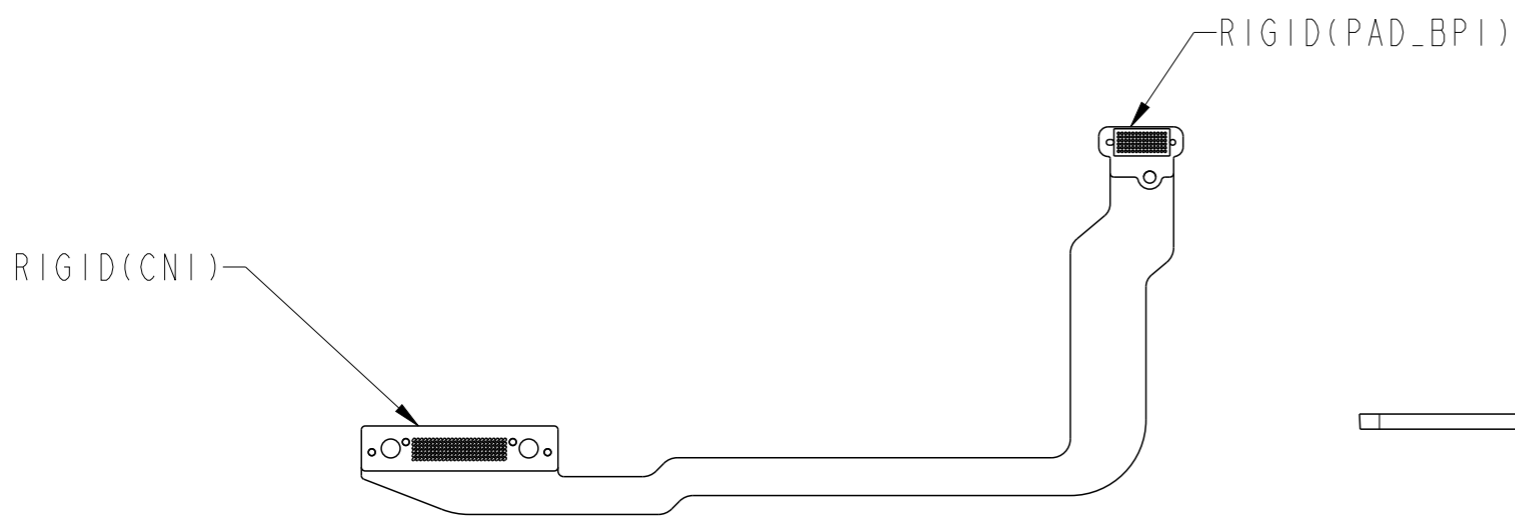
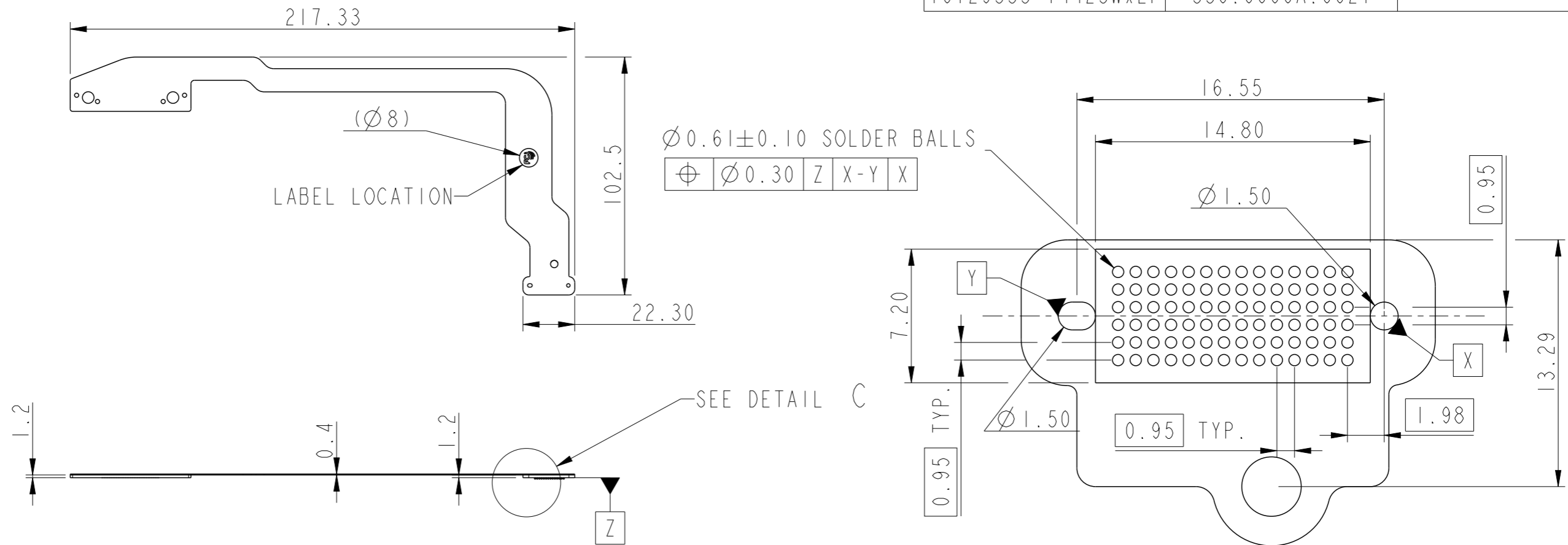


DETAIL B
 SCALE 5:1

| | | | | | | | | | | | |
|---------------------------------------|------------|------|----------------|------------|-------------------------|------------------------|----------------|----------------|-----------|----------|---|
| spec ref | - | dr | Zhen Luo | 2016/08/18 | projection | MM | size | A3 | scale | 1:1 | |
| tolerance std | ASME Y14.5 | eng | Michael Song | 2016/12/07 | | | ecn no | ELX-DG-25561-1 | | | |
| TOLERANCES UNLESS OTHERWISE SPECIFIED | | chr | Heaven Cen | 2016/12/07 | | | product family | - | rel level | Released | |
| surface | linear | appr | Pei-Ming Zheng | 2016/12/07 | Flex Cable BGA Assembly | | dwg no | 10129553 | | rev | B |
| ASME Y14.5 | angular | | | cat. no. | - | Product - Customer Drw | sheet 2 of 11 | | | | |

© 2016 AFCI
 Amphenol
 FCI

| Product P/N | Wistron P/N | BGA Array Pattern |
|--------------------|----------------|-------------------|
| 10129553-14425TxLF | 550.0060A.0001 | 6X14 |
| 10129553-14425MxLF | 550.0060A.0011 | |
| 10129553-14425WxLF | 550.0060A.0021 | |

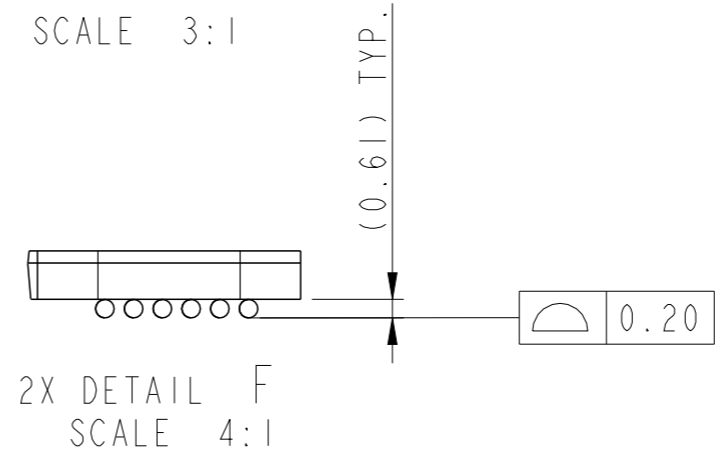
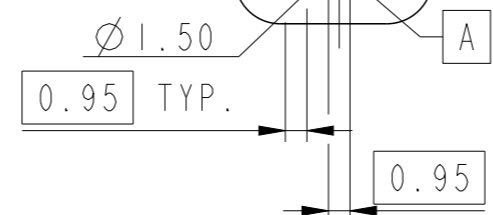
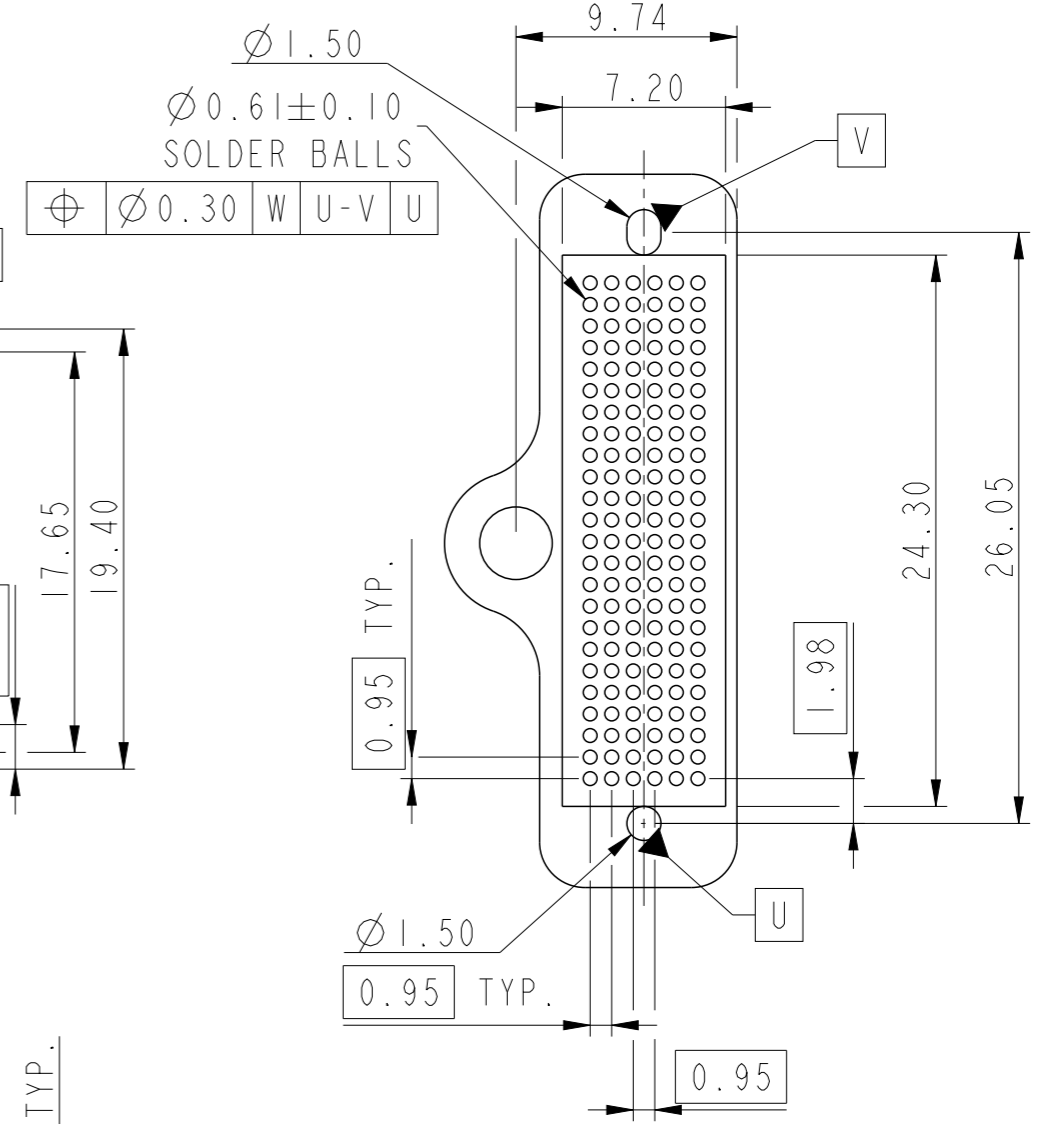
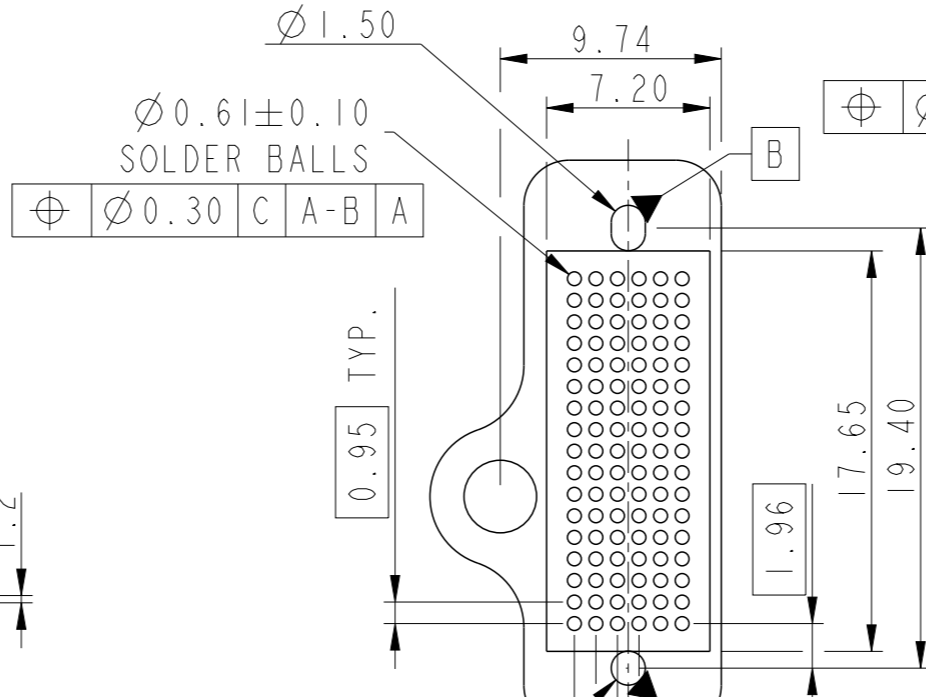
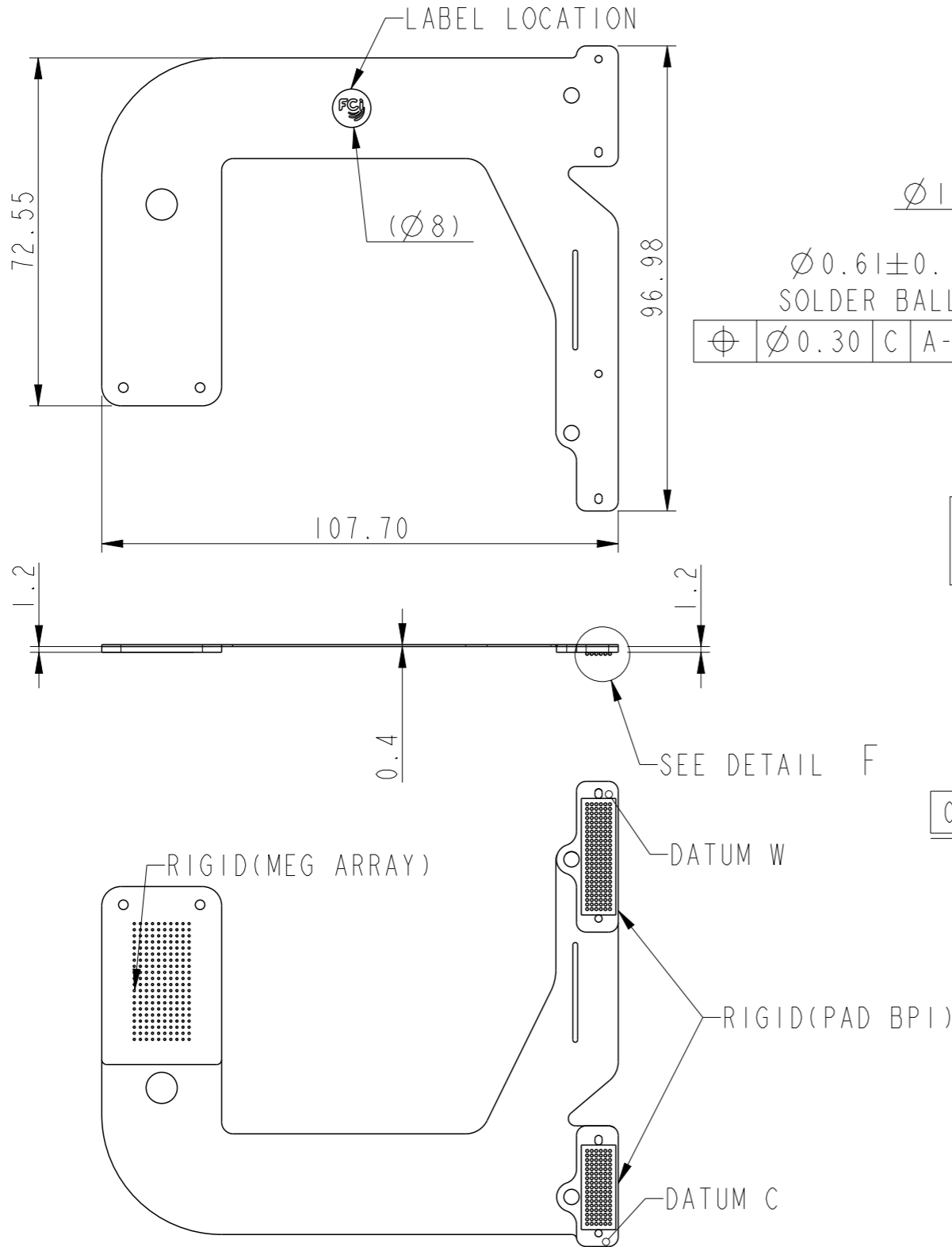


| | | | | | | | | | | | | | | | | | | |
|---------------------------------------|---------------|---|----------------|------------|----------------|-------|------------|----------------|------------|-----------------------|---|-------|-------------------------|--|----------|---|------------------------|---------------|
| spec ref | - | dr | Zhen Luo | 2016/08/18 | projection | MM | size | A3 | scale | 1:2 | | | | | | | | |
| tolerance std | ASME Y14.5 | eng | Michael Song | 2016/12/07 | | | ecn no | ELX-DG-25561-1 | | | | | | | | | | |
| TOLERANCES UNLESS OTHERWISE SPECIFIED | | chr | Heaven Cen | 2016/12/07 | | | rel level | Released | | | | | | | | | | |
| surface | linear | appr | Pei-Ming Zheng | 2016/12/07 | product family | - | dwg no | 10129553 | | rev | B | | | | | | | |
| ASME Y14.5 | angular | <table border="1"> <tr> <td>0.X</td> <td>± 0.30</td> </tr> <tr> <td>0.XX</td> <td>± 0.20</td> </tr> <tr> <td>0.XXX</td> <td>± 0.10</td> </tr> </table> | | 0.X | ± 0.30 | 0.XX | ± 0.20 | 0.XXX | ± 0.10 | Amphenol FCI | | title | Flex Cable BGA Assembly | | cat. no. | - | Product - Customer Drw | sheet 3 of 11 |
| 0.X | ± 0.30 | | | | | | | | | | | | | | | | | |
| 0.XX | ± 0.20 | | | | | | | | | | | | | | | | | |
| 0.XXX | ± 0.10 | | | | | | | | | | | | | | | | | |
| | | <table border="1"> <tr> <td>0°</td> <td>$\pm 2^\circ$</td> </tr> </table> | | 0° | $\pm 2^\circ$ | Brawn | | | | Printed: Dec 07, 2016 | | | | | | | | |
| 0° | $\pm 2^\circ$ | | | | | | | | | | | | | | | | | |

Amphenol FCI

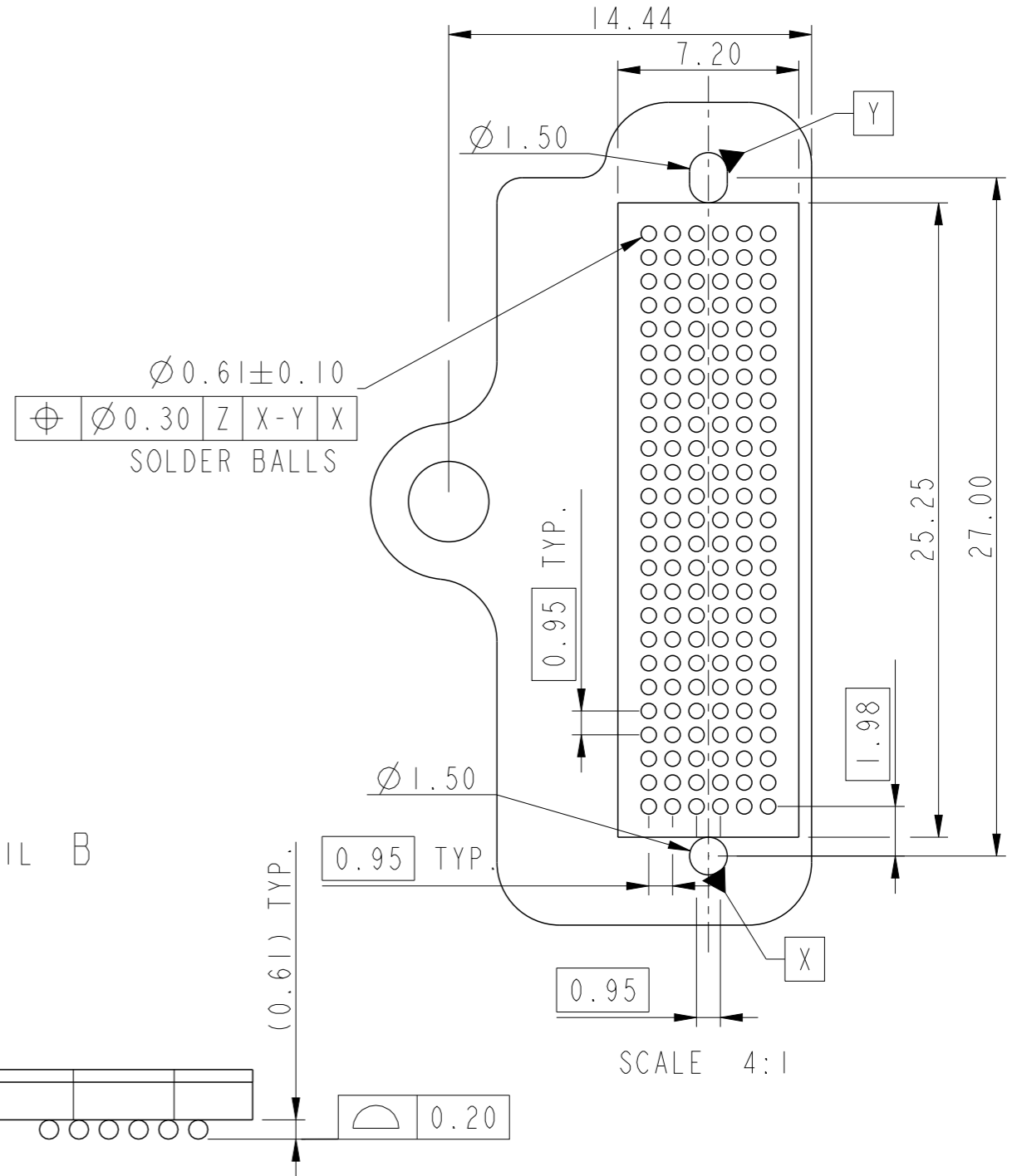
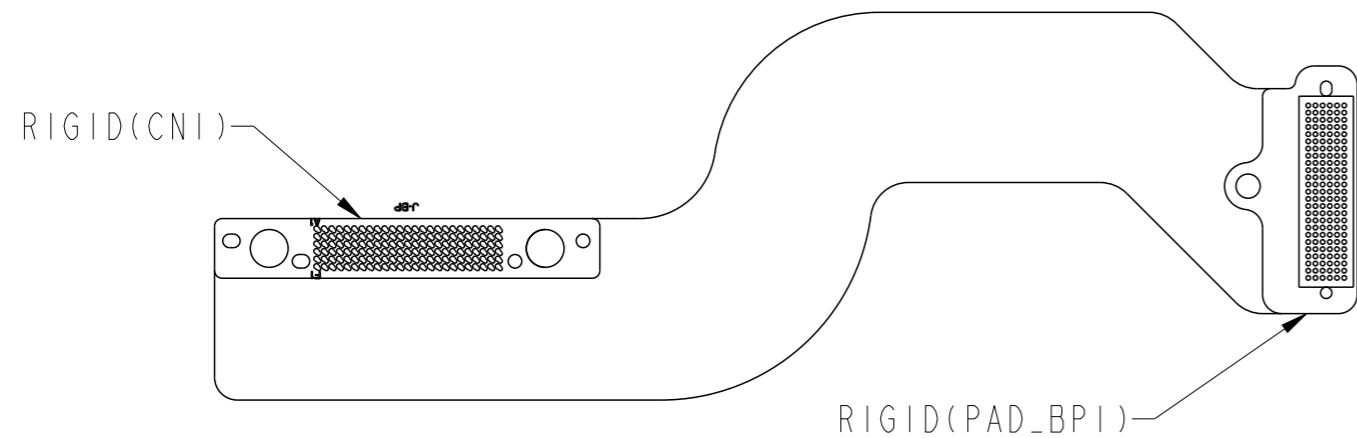
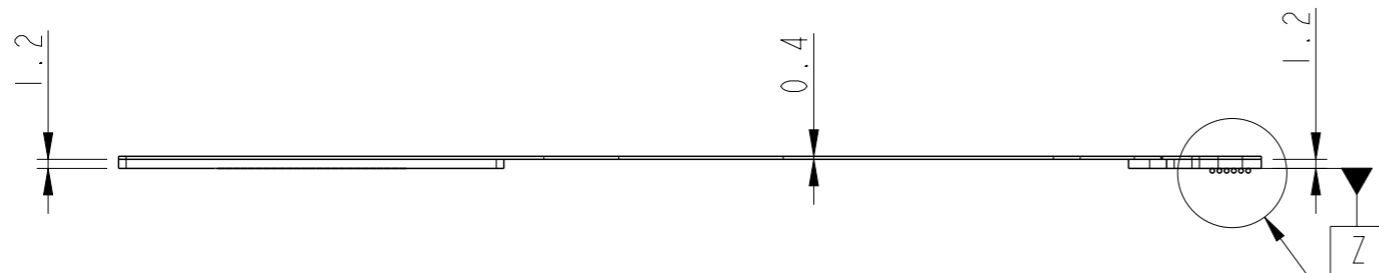
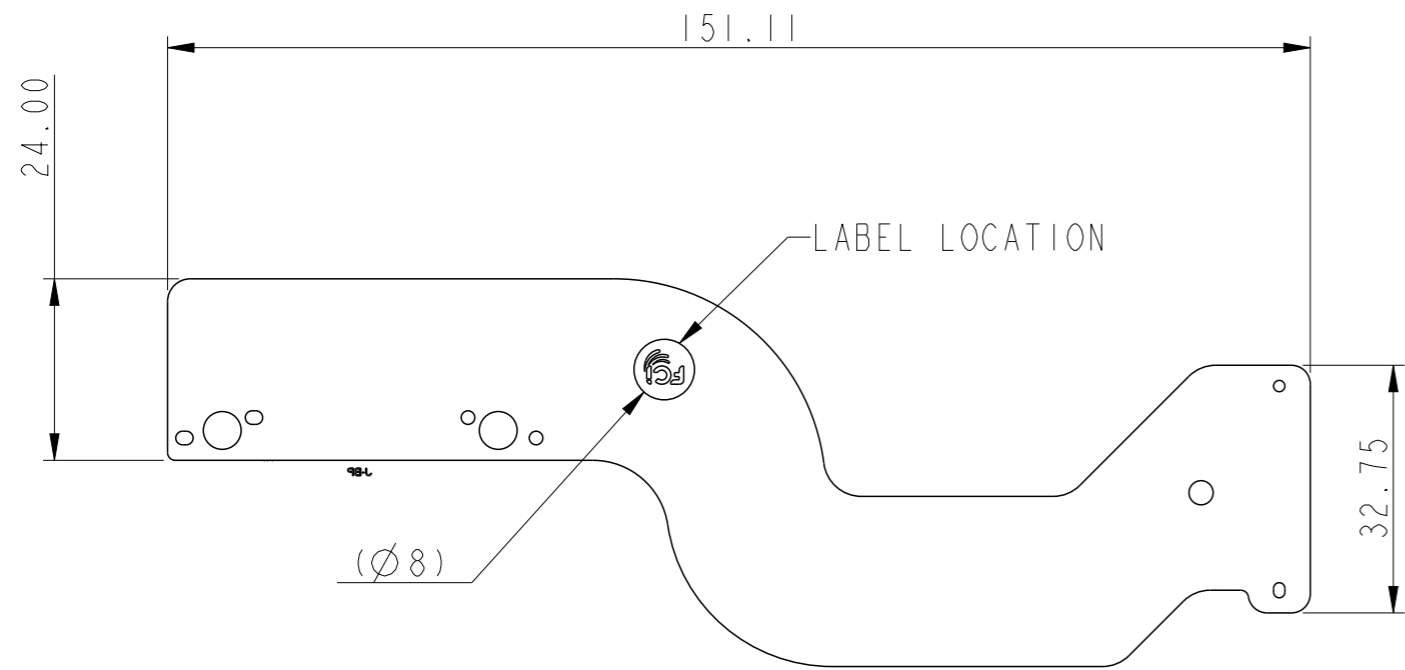
© 2016 AFCI

| Product P/N | Wistron P/N | BGA Array Pattern |
|--------------------|----------------|-------------------|
| 10129553-14423TxLF | 550.0060C.0001 | 6X17,6X24 |
| 10129553-14423MxLF | 550.0060C.0011 | |
| 10129553-14423WxLF | 550.0060C.0021 | |



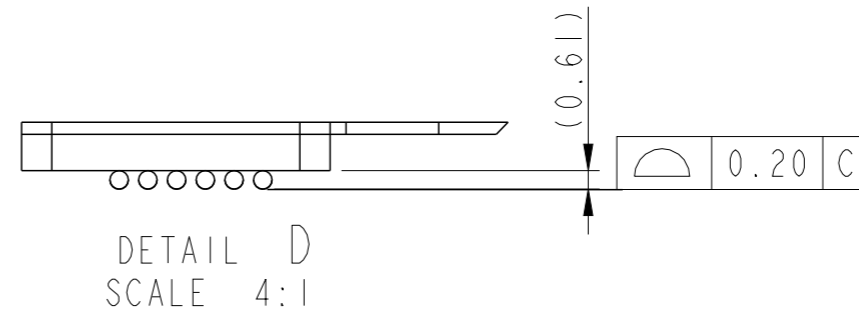
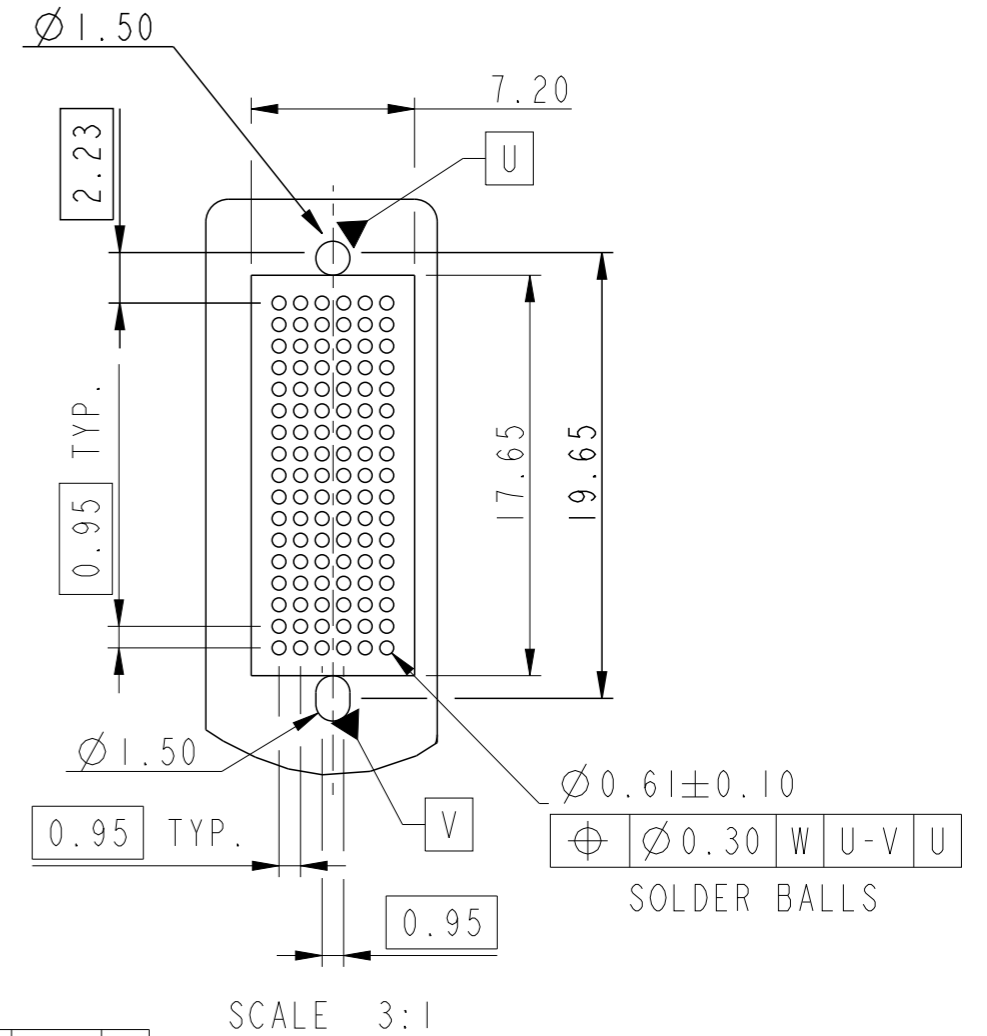
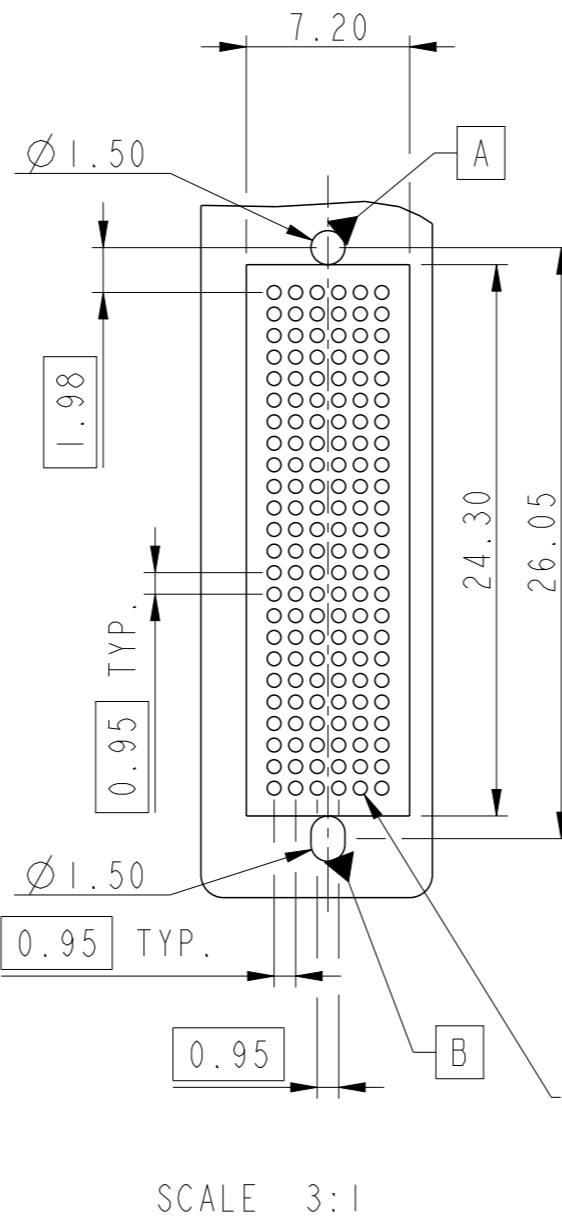
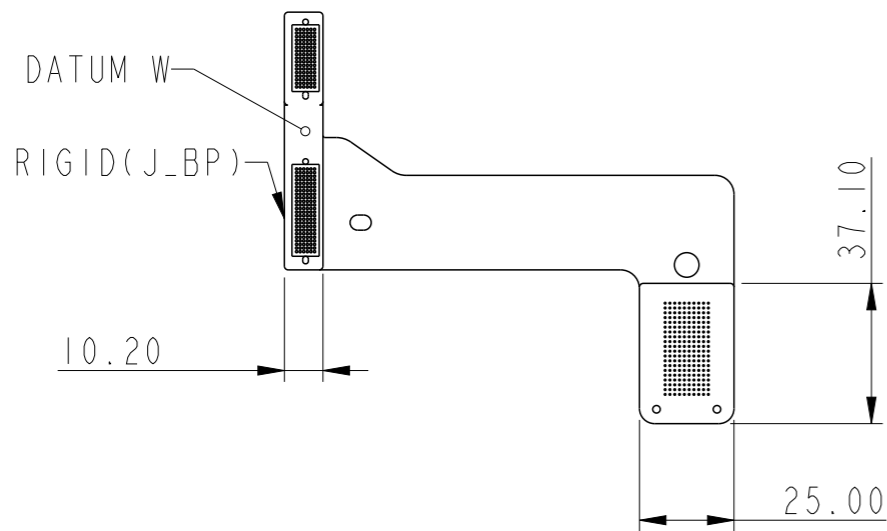
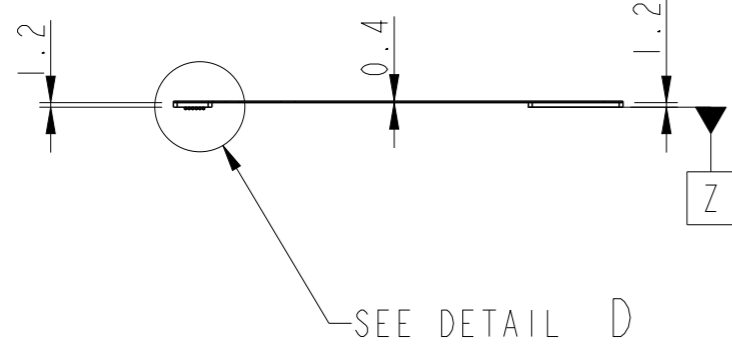
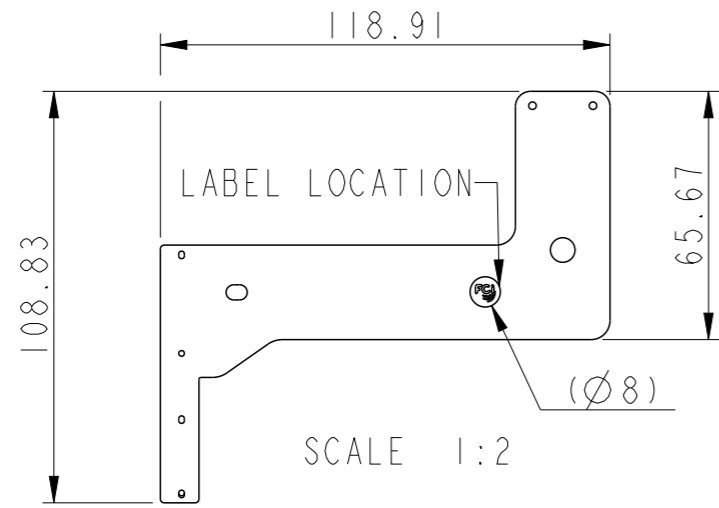
| | | | | | | | | | | |
|---------------------------------------|------------|-------|--------------|------------------------|------------|---------------|-------------------------|----------------|--------------------|----------|
| spec ref | - | dr | Zhen Luo | 2016/08/18 | projection | MM | size | A3 | scale | 4:5 |
| tolerance std | ASME Y14.5 | eng | Michael Song | 2016/12/07 | | | ecn no | ELX-DG-25561-1 | | |
| TOLERANCES UNLESS OTHERWISE SPECIFIED | | chr | Heaven Cen | 2016/12/07 | | | product family | - | rel level | Released |
| surface | linear | 0.X | ±0.30 | | title | | Flex Cable BGA Assembly | | dwg no 10129553 | rev B |
| | | 0.XX | ±0.20 | | title | | Brawn | | | |
| | | 0.XXX | ±0.10 | | cat. no. | | - | | | |
| ASME Y14.5 | angular | 0° | ±2° | Product - Customer Drw | | sheet 4 of 11 | | | | |

| | | |
|--------------------|----------------|-------------------|
| Product P/N | Wistron P/N | BGA Array Pattern |
| 10129553-14424TxLF | 550.0060B.0001 | 6X25 |
| 10129553-14424MxLF | 550.0060B.0011 | |
| 10129553-14424WxLF | 550.0060B.0021 | |



| | | | | | | | | | | | | |
|---------------------------------------|------------|------|--------------|------------|----------------------------------|----|----------------|----------------|------------------------|---------------|-----|---|
| spec ref | - | dr | Zhen Luo | 2016/08/18 | projection | MM | size | A3 | scale | 1:1 | | |
| tolerance std | ASME Y14.5 | eng | Michael Song | 2016/12/07 | | | ecn no | ELX-DG-25561-1 | | | | |
| TOLERANCES UNLESS OTHERWISE SPECIFIED | | chr | Heaven Cen | 2016/12/07 | | | product family | - | rel level | Released | | |
| surface | linear | 0.X | ±0.30 | | Flex Cable BGA Assembly Brawn | | dwg no | 10129553 | | | | |
| | | 0.XX | ±0.20 | | | | cat. no. | - | Product - Customer Drw | sheet 5 of 11 | rev | B |
| ASME Y14.5 | angular | 0° | ±2° | | | | - | | - | | - | |

| Product P/N | Wistron P/N | BGA Array Pattern |
|--------------------|----------------|-------------------|
| 10129553-14428TxLF | 550.00504.0011 | 6X24,6X17 |
| 10129553-14428MxLF | 550.00504.0001 | |
| 10129553-14428WxLF | 550.00504.0021 | |

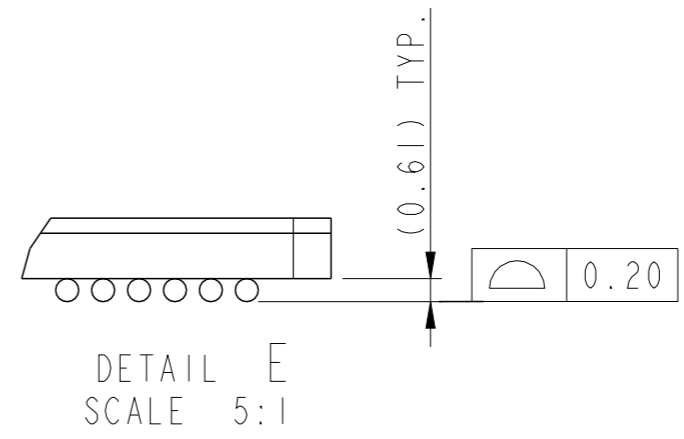
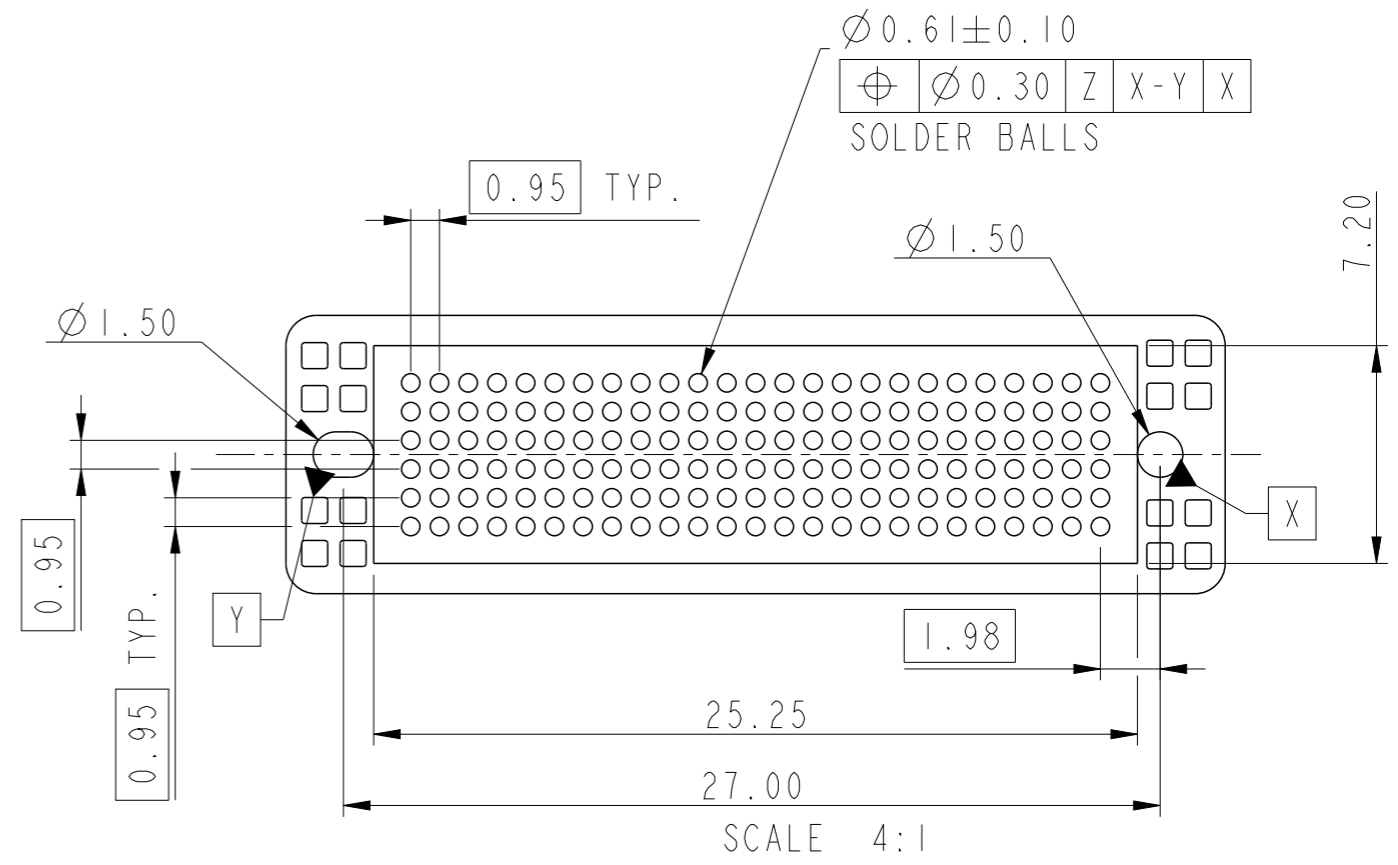
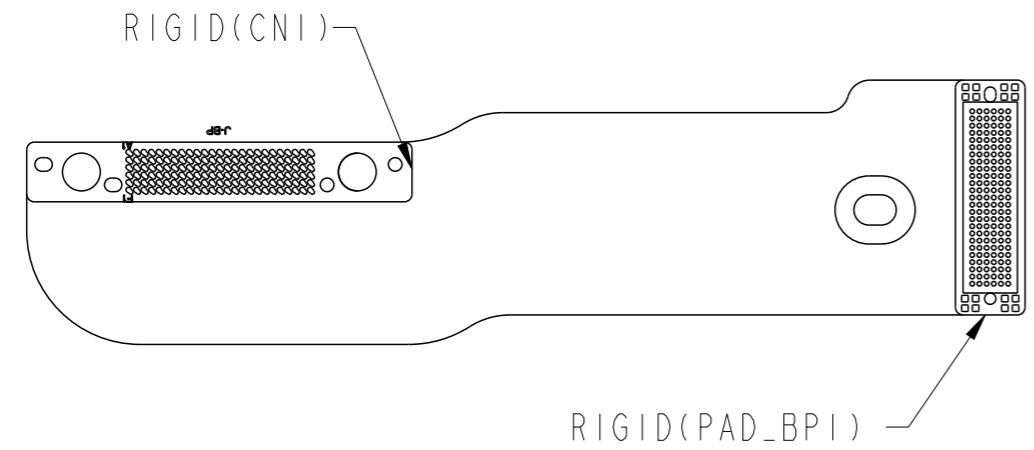
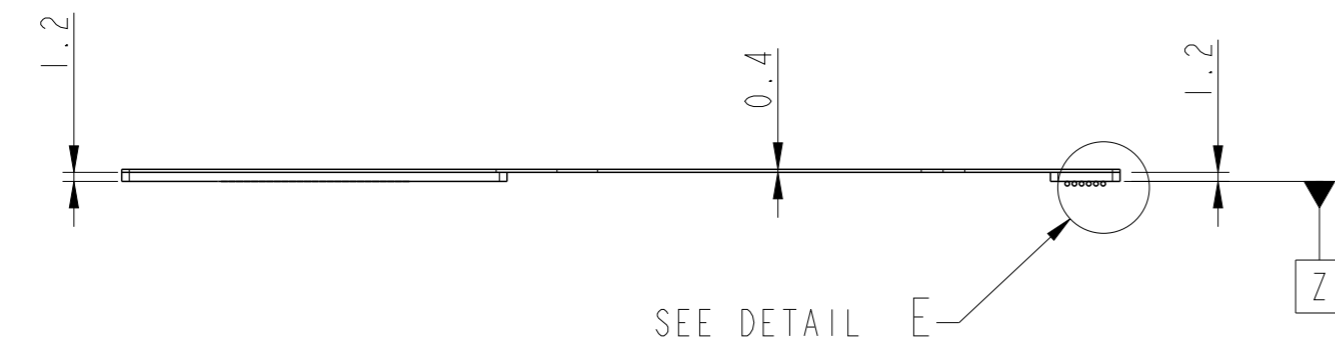
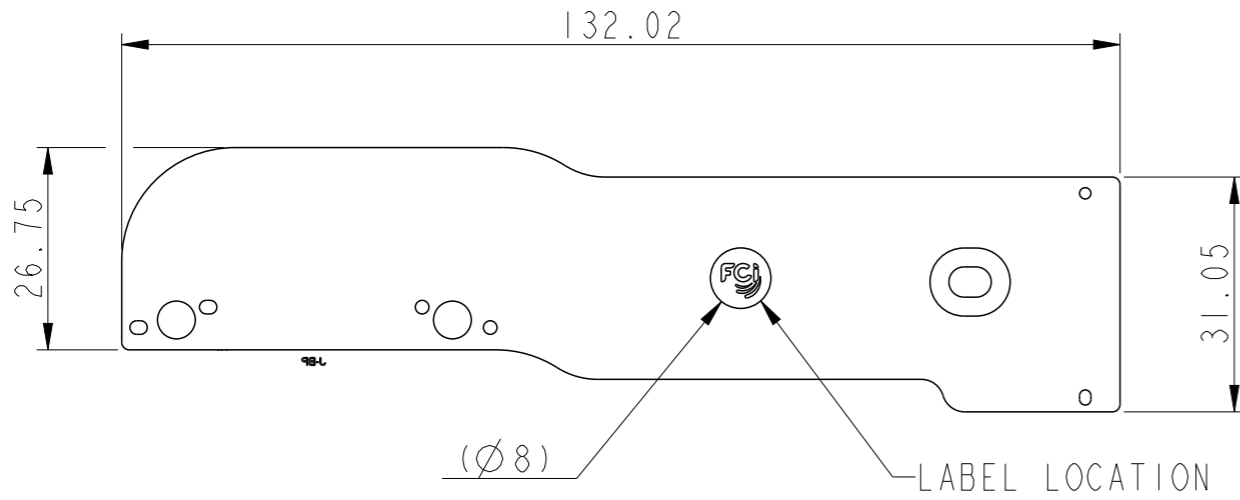


| | | | | | | | | | | |
|---------------------------------------|------------|-------|--------------|---------------------|-------------------------|------------------------|--------------------|----------------|-----------|----------|
| spec ref | - | dr | Zhen Luo | 2016/08/18 | projection | MM | size | A3 | scale | 1:1 |
| tolerance std | ASME Y14.5 | eng | Michael Song | 2016/12/07 | | | ecn no | ELX-DG-25561-1 | | |
| TOLERANCES UNLESS OTHERWISE SPECIFIED | | chr | Heaven Cen | 2016/12/07 | | | product family | - | rel level | Released |
| surface | linear | 0.X | ±0.30 | Amphenol FCI | Flex Cable BGA Assembly | | dwg no 10129553 | rev B | | |
| | | 0.XX | ±0.20 | | | | | | | |
| | | 0.XXX | ±0.10 | | | | | | | |
| ASME Y14.5 | angular | 0° | ±2° | cat. no. | - | Product - Customer Drw | sheet 6 of 11 | | | |

Amphenol FCI

© 2016 AFCI

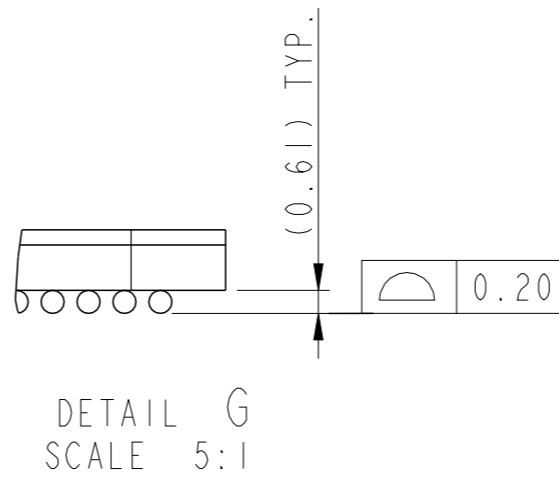
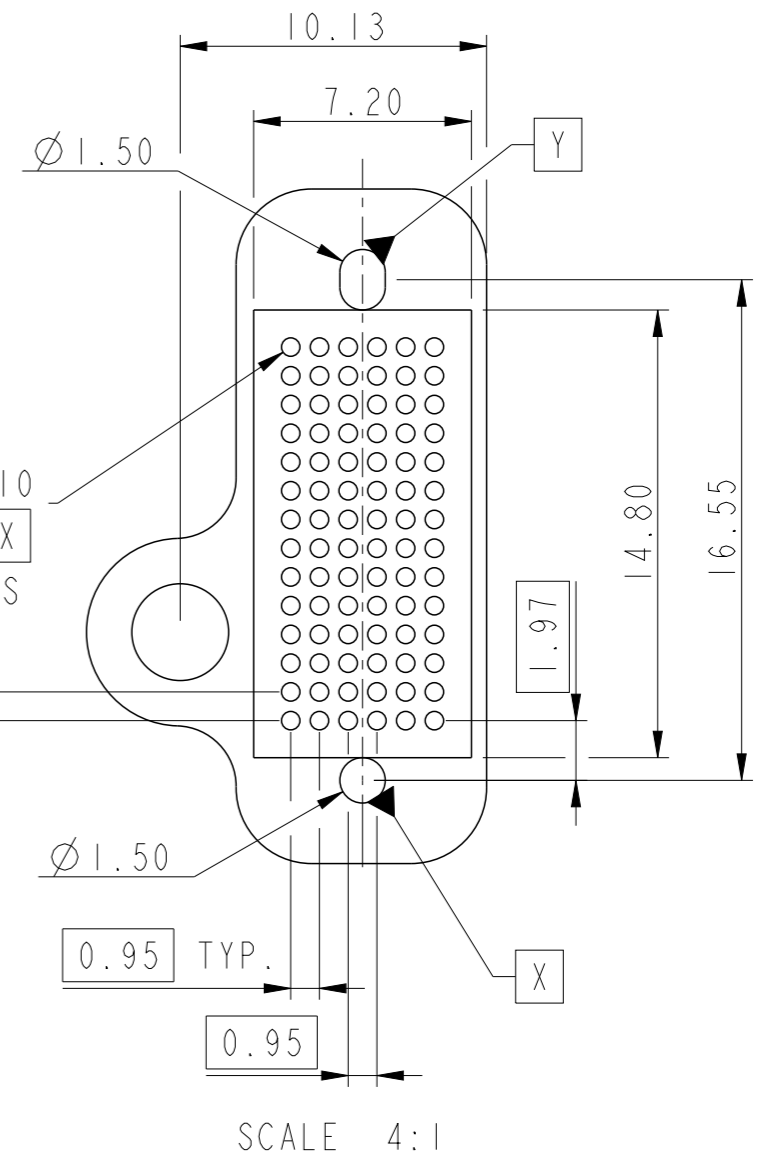
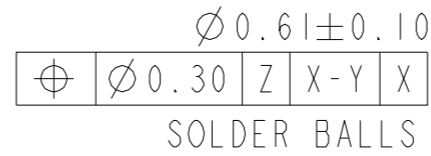
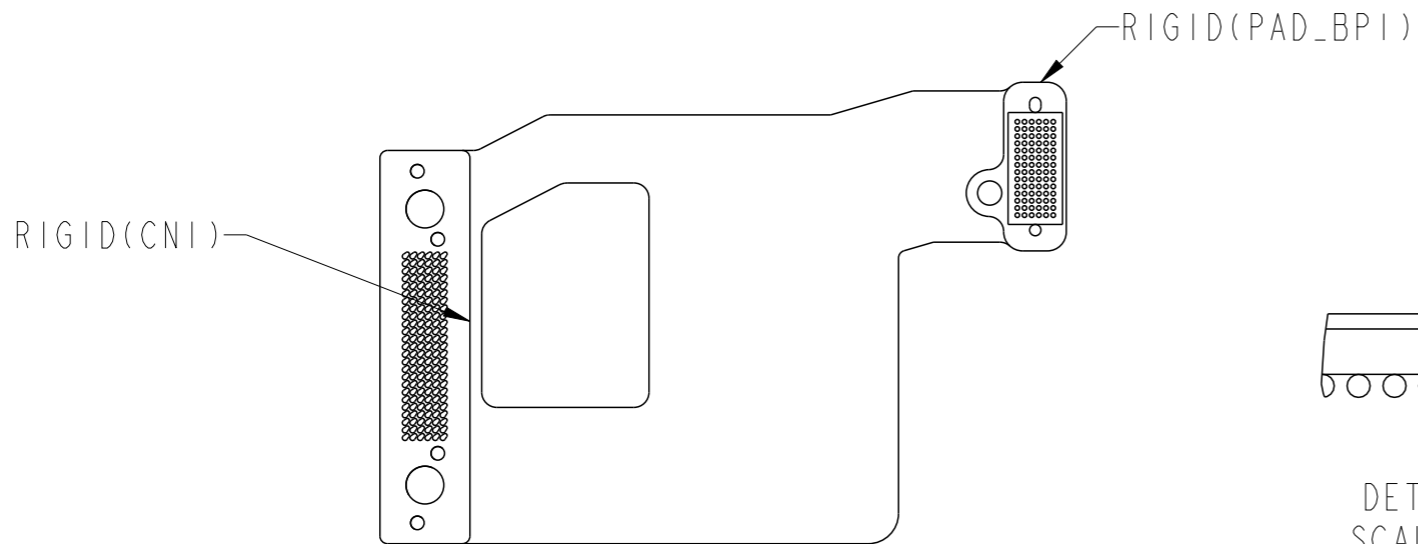
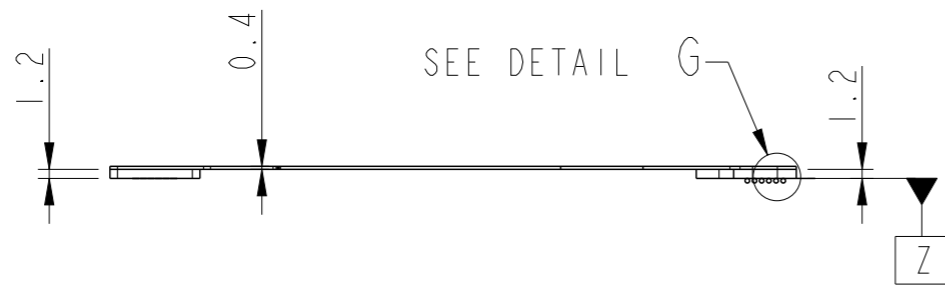
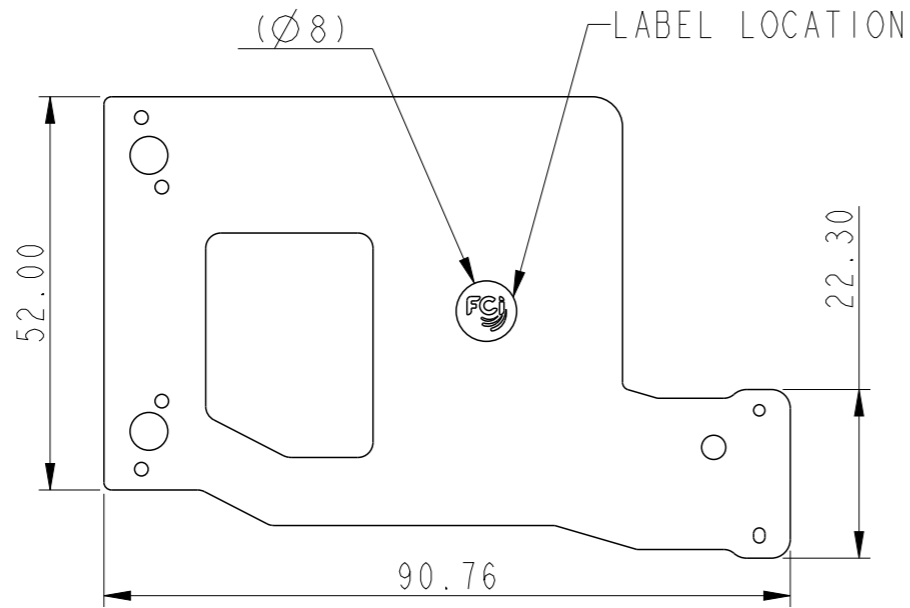
| Product P/N | Wistron P/N | BGA Array Pattern |
|--------------------|----------------|-------------------|
| 10129553-14429TxLF | 550.00503.0031 | 6X25 |
| 10129553-14429MxLF | 550.00503.0001 | |
| 10129553-14429WxLF | 550.00503.0021 | |



| | | | | | | | | | | | | | |
|---------------------------------------|------------|--|----------------|------------|----------------|------|-----------|----------------|-------|---|---|------------------------|---------------|
| spec ref | - | dr | Zhen Luo | 2016/08/18 | projection | MM | size | A3 | scale | 1:1 | | | |
| tolerance std | ASME Y14.5 | eng | Michael Song | 2016/12/07 | | | ecn no | ELX-DG-25561-1 | | | | | |
| TOLERANCES UNLESS OTHERWISE SPECIFIED | | chr | Heaven Cen | 2016/12/07 | | | rel level | Released | | | | | |
| surface | linear | appr | Pei-Ming Zheng | 2016/12/07 | product family | - | dwg no | 10129553 | | rev | B | | |
| ASME Y14.5 | angular | <table border="1"> <tr><td>0.X</td><td>±0.30</td></tr> <tr><td>0.XX</td><td>±0.20</td></tr> <tr><td>0.XXX</td><td>±0.10</td></tr> </table> | | 0.X | ±0.30 | 0.XX | ±0.20 | 0.XXX | ±0.10 | Amphenol FCI title Flex Cable BGA Assembly Brawn cat. no. - | | Product - Customer Drw | sheet 7 of 11 |
| 0.X | ±0.30 | | | | | | | | | | | | |
| 0.XX | ±0.20 | | | | | | | | | | | | |
| 0.XXX | ±0.10 | | | | | | | | | | | | |

© 2016 AFCI Amphenol FCI

| Product P/N | Wistron P/N | BGA Array Pattern |
|--------------------|----------------|-------------------|
| 10129553-14460TxLF | 550.0060D.0001 | 6X14 |
| 10129553-14460MxLF | 550.0060D.0011 | |
| 10129553-14460WxLF | 550.0060D.0021 | |

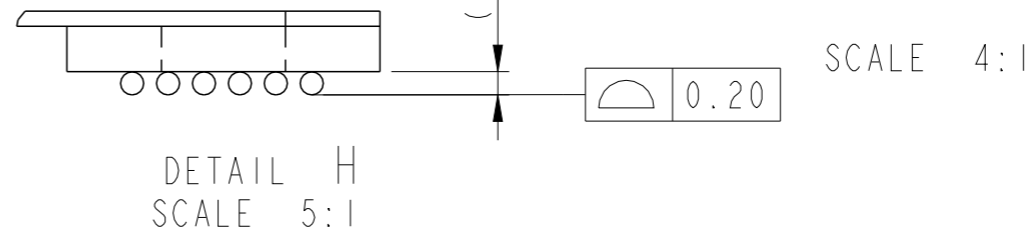
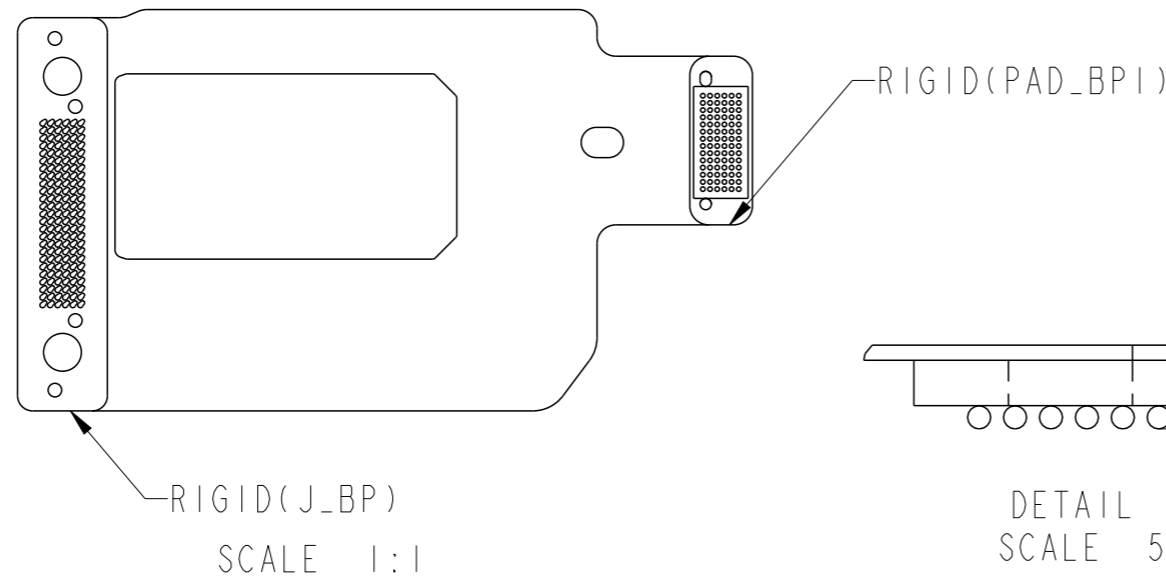
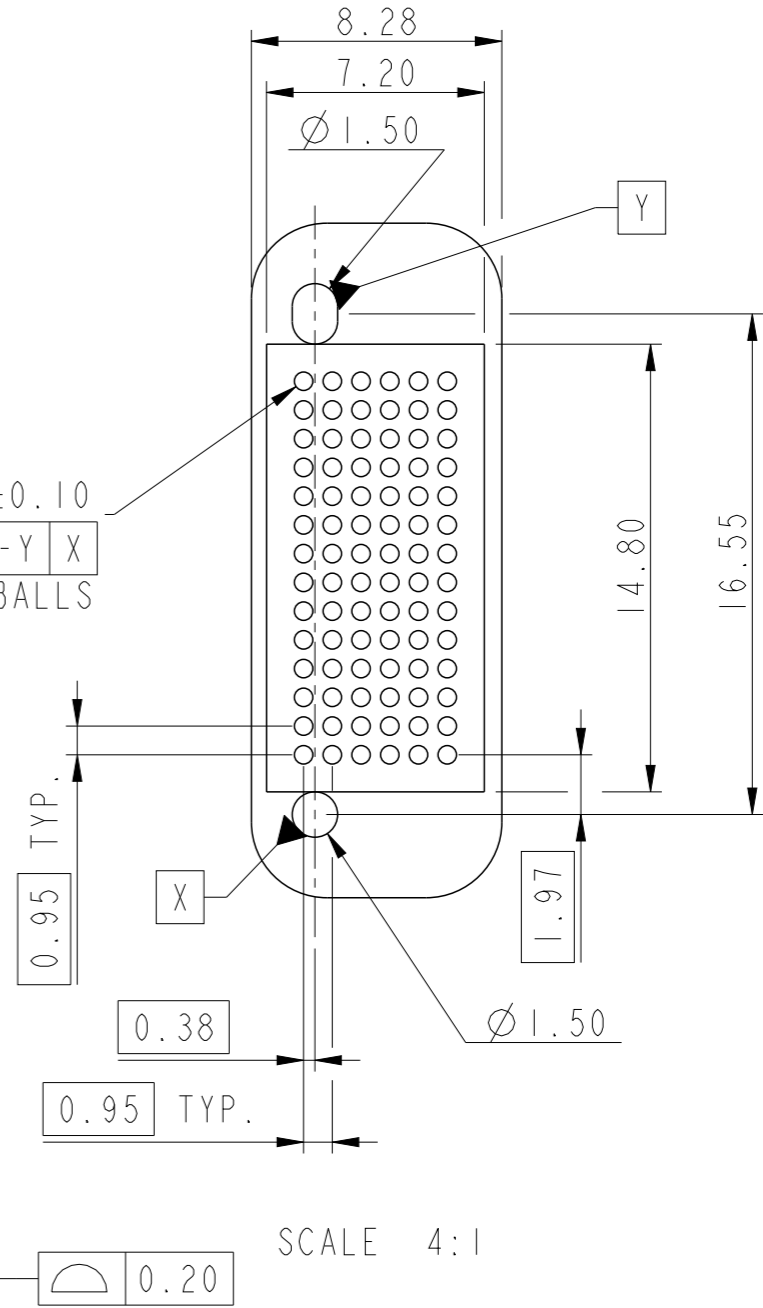
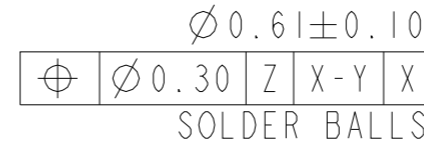
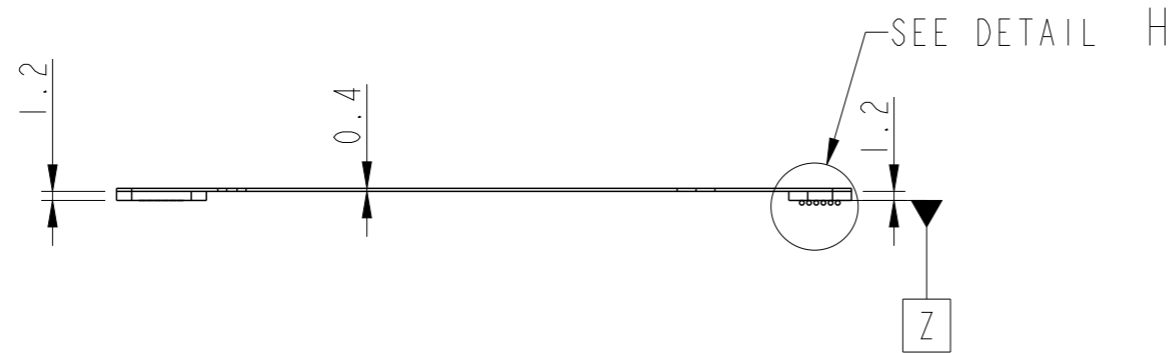
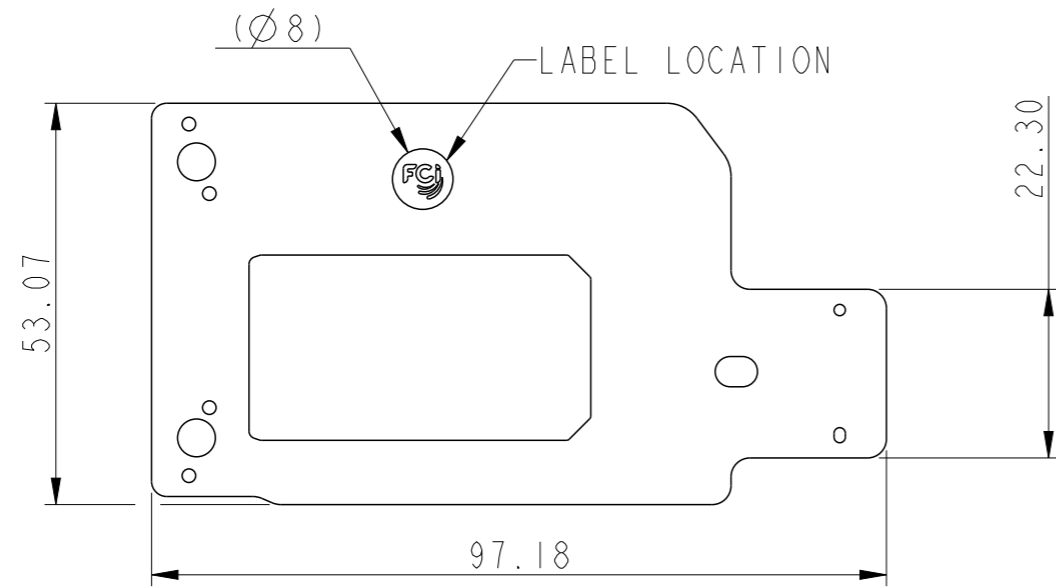


| | | | | | | | | | | |
|---------------------------------------|------------|-------|--------------|---------------------|-------------------------|------------------------|--------------------|----------------|-----------|----------|
| spec ref | - | dr | Zhen Luo | 2016/08/18 | projection | MM | size | A3 | scale | 1:1 |
| tolerance std | ASME Y14.5 | eng | Michael Song | 2016/12/07 | | | ecn no | ELX-DG-25561-1 | | |
| TOLERANCES UNLESS OTHERWISE SPECIFIED | | chr | Heaven Cen | 2016/12/07 | | | product family | - | rel level | Released |
| surface | linear | 0.X | ±0.30 | Amphenol FCI | Flex Cable BGA Assembly | | dwg no 10129553 | rev B | | |
| | | 0.XX | ±0.20 | | | | | | | |
| | | 0.XXX | ±0.10 | | | | | | | |
| ASME Y14.5 | angular | 0° | ±2° | cat. no. | - | Product - Customer Drw | sheet 8 of 11 | | | |

Amphenol FCI

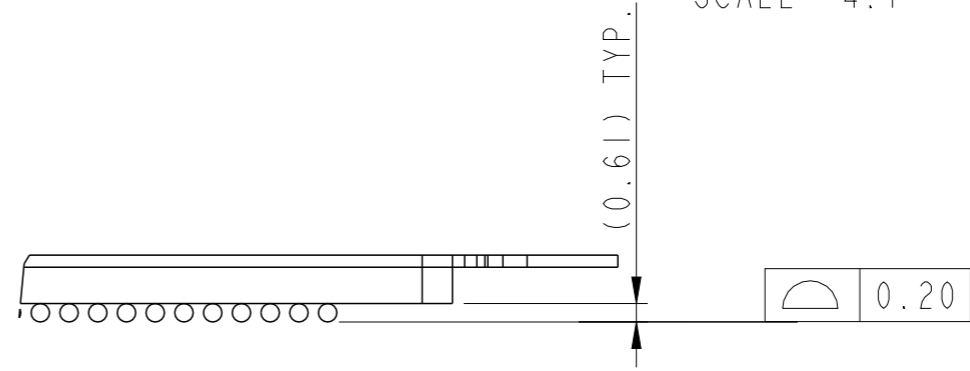
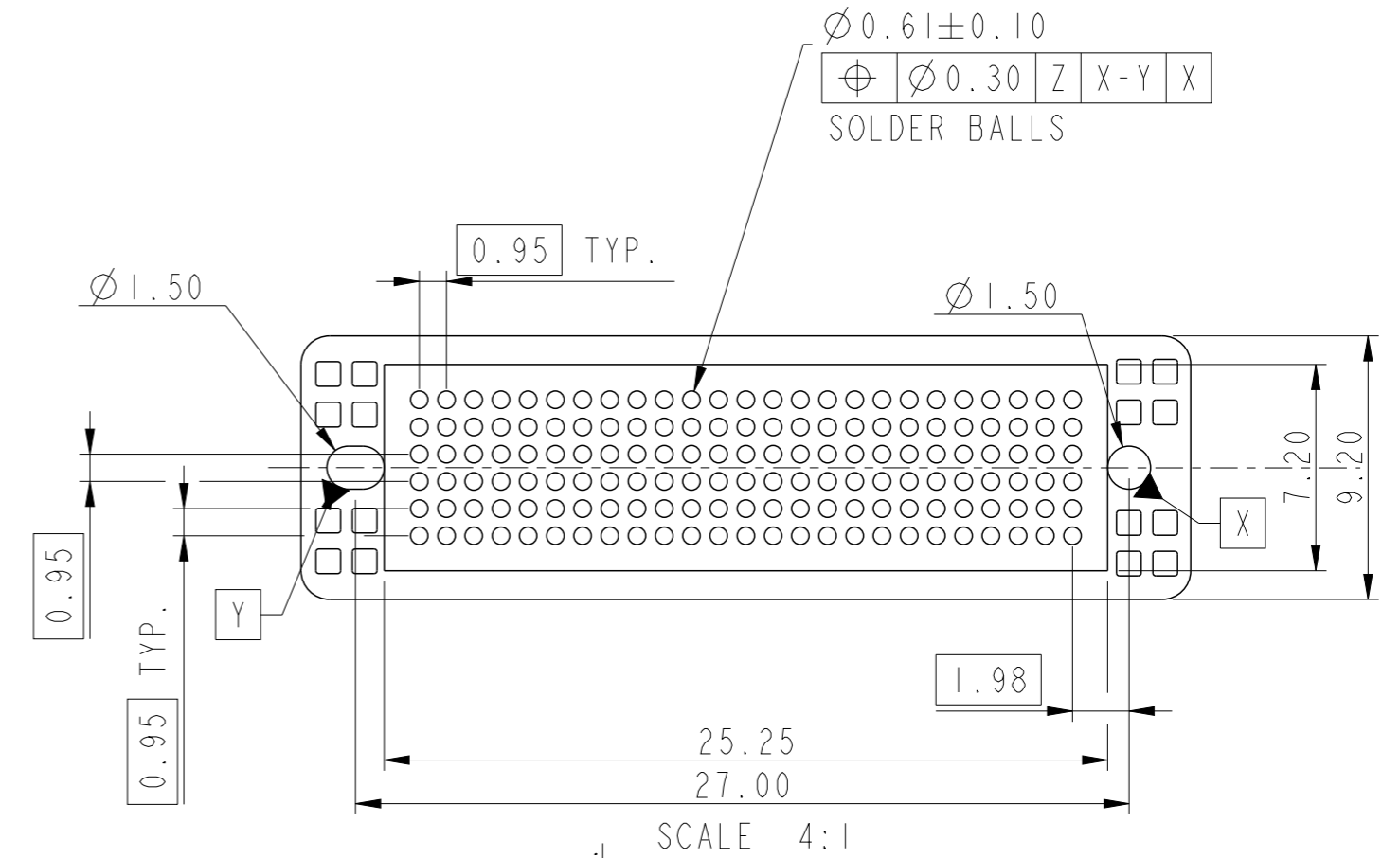
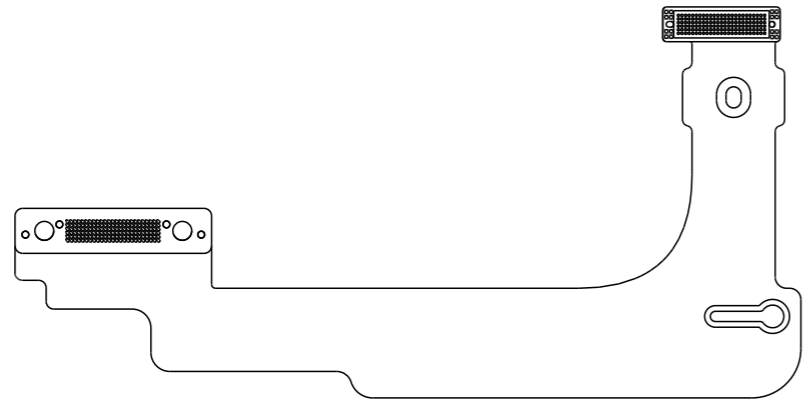
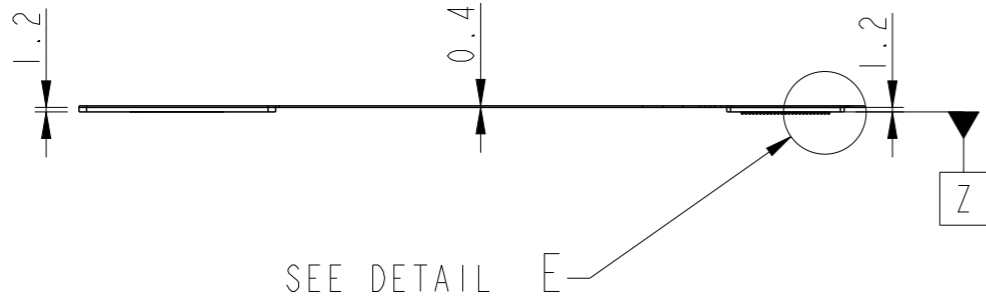
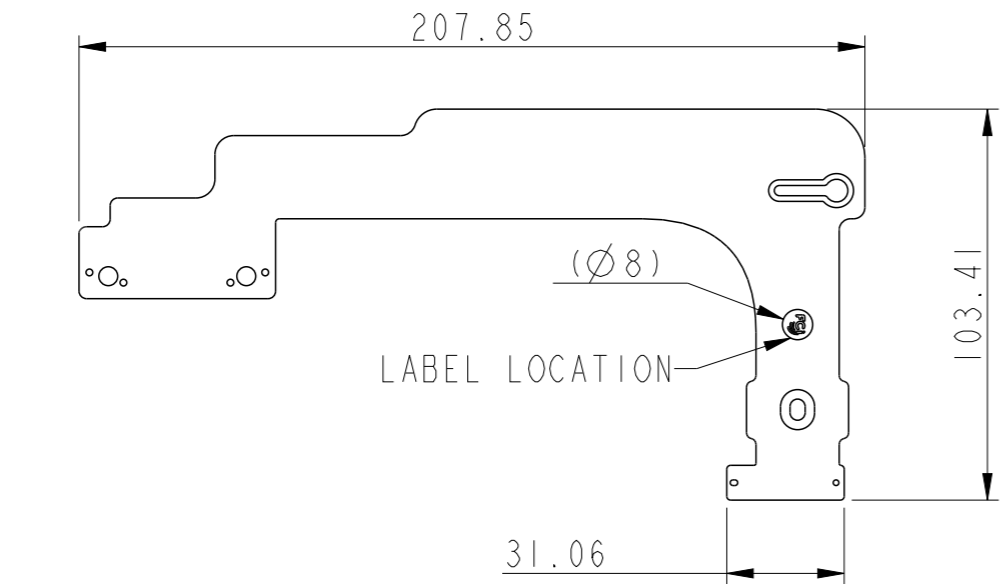
© 2016 AFCI

| Product P/N | Wistron P/N | BGA Array Pattern |
|--------------------|----------------|-------------------|
| 10129553-1446ITxLF | 550.00505.0011 | 6X14 |
| 10129553-1446IMxLF | 550.00502.0001 | |
| 10129553-1446IWxLF | 550.00505.0021 | |



| | | | | | | | | | | |
|---------------------------------------|------------|-------|--------------|---------------------|--|------------------------|-----------------|----------------|-----------|----------|
| spec ref | - | dr | Zhen Luo | 2016/08/18 | projection | MM | size | A3 | scale | 1:1 |
| tolerance std | ASME Y14.5 | eng | Michael Song | 2016/12/07 | | | ecn no | ELX-DG-25561-1 | | |
| TOLERANCES UNLESS OTHERWISE SPECIFIED | | chr | Heaven Cen | 2016/12/07 | | | product family | - | rel level | Released |
| surface | linear | 0.X | ±0.30 | Amphenol FCI | title Flex Cable BGA Assembly Brawn | | dwg no 10129553 | rev B | | |
| | | 0.XX | ±0.20 | | | | | | | |
| | | 0.XXX | ±0.10 | | | | | | | |
| ASME Y14.5 | angular | 0° | ±2° | cat. no. | - | Product - Customer Drw | sheet 9 of 11 | | | |

| | | |
|--------------------|----------------|-------------------|
| Product P/N | Wistron P/N | BGA Array Pattern |
| 10129553-1453ITxLF | 550.00507.0011 | 6X25 |
| 10129553-1453IMxLF | 550.00507.0001 | |
| 10129553-1453IWxLF | 550.00507.0021 | |



DETAIL E
SCALE 4:1

| | | | | | | | | | | |
|---------------------------------------|------------|-------|--------------|-------------------------|-------------------------|------------------------|----------------|--------------------|-----------|----------|
| spec ref | - | dr | Zhen Luo | 2016/08/18 | projection | MM | size | A3 | scale | 1:2 |
| tolerance std | ASME Y14.5 | eng | Michael Song | 2016/12/07 | | | ecn no | ELX-DG-25561-1 | | |
| TOLERANCES UNLESS OTHERWISE SPECIFIED | | chr | Heaven Cen | 2016/12/07 | | | product family | - | rel level | Released |
| surface | linear | 0.X | ±0.30 | Amphenol FCi | Flex Cable BGA Assembly | | | dwg no 10129553 | rev B | |
| | | 0.XX | ±0.20 | | | | | | | |
| | | 0.XXX | ±0.10 | | | | | | | |
| ASME Y14.5 | angular | 0° | ±2° | cat. no. | - | Product - Customer Drw | sheet 10 of 11 | | | |

PRODUCT PART NUMBER

10129553-□□□□XXLF

BASE NUMBER

- LEAD FREE
- PCB DESIGN:
O: STANDARD
I TO N: NEW STACKUP
- SUPPLIER:
M: Multex
T: TTM
W: WuZhu
- CODE (SEE TABLE)

| CODE | Flex Cable code In Wistron |
|-------|-------------------------------|
| 14430 | 14430 |
| 14426 | 14426 |
| 14425 | 14425 |
| 14423 | 14423 |
| 14424 | 14424 |
| 14428 | 14428 |
| 14429 | 14429 |
| 14460 | 14460 |
| 14461 | 14461 |
| 14531 | 14531 |

NOTES:

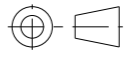
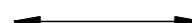

1. MATERIAL:
FLEX CABLE
SOLDER BALL: LEAD FREE 96.5Sn/3Ag/0.5Cu
VENDOR: ALPHA
2. SOLDER BALLS WILL NOT BE PERFECT SPHERICAL SHAPE DUE TO REFLOW ATTACHMENT.
3. PRODUCT SPECIFICATION: GS-12-1183.
4. APPLICATION SPECIFICATION: GS-20-0391.
5. PACKAGE SPECIFICATION: GS-14-2365.
6. PRODUCT MEET EUROPEAN UNION DIRECTIVES AND OTHER COUNTRY REGULATIONS DESCRIBED IN GS-22-08.
7. RATED VOLTAGE L80V-LESS THAN 80V
8. SHEAR FORCE OF SOLDER BALL: 800GF MIN.
9. APPEARANCE STANDARD FOLLOWS IPC 6013 CLASS2 CRITERIA AND DELL PCB 10207.
10. MSL LEVEL: MULTEK: 5 TTM: 5A.
11. CONTACT RESISTANCE:
MULTEK: 10 OHM TTM: 10 OHM
12. INSULATION RESISTANCE:
MULTEK: 10 MEGAOHM TTM: 10 MEGAOHM
13. PCB WARPAGE CRITERIA:
0.7% OF PCB LENGTH MAX. (BEFORE REFLOW)
14. IMPEDANCE REQUIREMENT.

| | | |
|--|---|--|
| 100 +/-10 OHMS RISE TIME=70PS (20% TO 80%) | 85 +/-10 OHMS RISE TIME=70PS (20% TO 80%) | 50 +/-5 OHMS RISE TIME=100PS (10% TO 90%) |
| SAS AND PCIE PAD (DIFFERENTIAL PAIR) | SATA PAD (DIFFERENTIAL PAIR) | SIDE BAND PAD (POWER, GND, SIDE BAND SIGNALS) |

15. DIMENSION WITH THE "()" SYMBOL IS THE REFERENCE DIMENSION.

Amphenol
FCi

© 2016 AFci

| | | | | | | | | | | | | | | | | | |
|---------------------------------------|--|--------|----------------|------------|---|---|-----------------------|---|-------|-------------------------|--|--------|--|----------|--|-----|---|
| spec ref | - | dr | Zhen Luo | 2016/08/18 | projection | MM | size | A3 | scale | 1:1 | | | | | | | |
| tolerance std | ASME Y14.5 | eng | Michael Song | 2016/12/07 |  |  | ecn no ELX-DG-25561-1 | | | | | | | | | | |
| TOLERANCES UNLESS OTHERWISE SPECIFIED | | chr | Heaven Cen | 2016/12/07 | | | rel level Released | | | | | | | | | | |
| surface | linear | appr | Pei-Ming Zheng | 2016/12/07 | product family | | - | | - | | | | | | | | |
| | <table border="1"> <tr><td>0.X</td><td>±0.30</td></tr> <tr><td>0.XX</td><td>±0.20</td></tr> <tr><td>0.XXX</td><td>±0.10</td></tr> </table> | 0.X | ±0.30 | 0.XX | ±0.20 | 0.XXX | ±0.10 |  | | Flex Cable BGA Assembly | | dwg no | | 10129553 | | rev | B |
| 0.X | ±0.30 | | | | | | | | | | | | | | | | |
| 0.XX | ±0.20 | | | | | | | | | | | | | | | | |
| 0.XXX | ±0.10 | | | | | | | | | | | | | | | | |
| ASME Y14.5 | angular | 0° ±2° | | cat. no. | | - | | Product - Customer Drw | | sheet 11 of 11 | | | | | | | |

Компания «Океан Электроники» предлагает заключение долгосрочных отношений при поставках импортных электронных компонентов на взаимовыгодных условиях!

Наши преимущества:

- Поставка оригинальных импортных электронных компонентов напрямую с производств Америки, Европы и Азии, а так же с крупнейших складов мира;
- Широкая линейка поставок активных и пассивных импортных электронных компонентов (более 30 млн. наименований);
- Поставка сложных, дефицитных, либо снятых с производства позиций;
- Оперативные сроки поставки под заказ (от 5 рабочих дней);
- Экспресс доставка в любую точку России;
- Помощь Конструкторского Отдела и консультации квалифицированных инженеров;
- Техническая поддержка проекта, помощь в подборе аналогов, поставка прототипов;
- Поставка электронных компонентов под контролем ВП;
- Система менеджмента качества сертифицирована по Международному стандарту ISO 9001;
- При необходимости вся продукция военного и аэрокосмического назначения проходит испытания и сертификацию в лаборатории (по согласованию с заказчиком);
- Поставка специализированных компонентов военного и аэрокосмического уровня качества (Xilinx, Altera, Analog Devices, Intersil, Interpoint, Microsemi, Actel, Aeroflex, Peregrine, VPT, Syfer, Eurofarad, Texas Instruments, MS Kennedy, Miteq, Cobham, E2V, MA-COM, Hittite, Mini-Circuits, General Dynamics и др.);

Компания «Океан Электроники» является официальным дистрибьютором и эксклюзивным представителем в России одного из крупнейших производителей разъемов военного и аэрокосмического назначения «JONHON», а так же официальным дистрибьютором и эксклюзивным представителем в России производителя высокотехнологичных и надежных решений для передачи СВЧ сигналов «FORSTAR».



JONHON

«JONHON» (основан в 1970 г.)

Разъемы специального, военного и аэрокосмического назначения:

(Применяются в военной, авиационной, аэрокосмической, морской, железнодорожной, горно- и нефтедобывающей отраслях промышленности)

«FORSTAR» (основан в 1998 г.)

ВЧ соединители, коаксиальные кабели, кабельные сборки и микроволновые компоненты:

(Применяются в телекоммуникациях гражданского и специального назначения, в средствах связи, РЛС, а так же военной, авиационной и аэрокосмической отраслях промышленности).



Телефон: 8 (812) 309-75-97 (многоканальный)

Факс: 8 (812) 320-03-32

Электронная почта: ocean@oceanchips.ru

Web: <http://oceanchips.ru/>

Адрес: 198099, г. Санкт-Петербург, ул. Калинина, д. 2, корп. 4, лит. А