

Hermetically Sealed, Low I_F , Wide V_{CC} , Logic Gate Optocouplers

Technical Data

HCPL-520x*
5962-88768
HCPL-523x
HCPL-623x
HCPL-625x
5962-88769

*See matrix for available extensions.

Features

- Dual Marked with Device Part Number and DSCC Standard Microcircuit Drawing
- Manufactured and Tested on a MIL-PRF-38534 Certified Line
- QML-38534, Class H and K
- Four Hermetically Sealed Package Configurations
- Performance Guaranteed over -55°C to $+125^{\circ}\text{C}$
- Wide V_{CC} Range (4.5 to 20 V)
- 350 ns Maximum Propagation Delay
- CMR: $> 10,000 \text{ V}/\mu\text{s}$ Typical
- 1500 Vdc Withstand Test Voltage
- Three State Output Available
- High Radiation Immunity
- HCPL-2200/31 Function Compatibility
- Reliability Data Available
- Compatible with LSTTL, TTL, and CMOS Logic

Applications

- Military and Space
- High Reliability Systems
- Transportation and Life Critical Systems
- High Speed Line Receiver

- Isolated Bus Driver (Single Channel)
- Pulse Transformer Replacement
- Ground Loop Elimination
- Harsh Industrial Environments
- Computer-Peripheral Interfaces

Description

These units are single, dual and quad channel, hermetically sealed optocouplers. The products are capable of operation and storage over the full military temperature range and can be purchased as either standard product or with full MIL-PRF-38534 Class Level H or K testing or from the appropriate DSCC Drawing. All devices are manufactured and tested on a MIL-PRF-38534 certified line and are included in the DSCC Qualified Manufacturers List QML-38534 for Hybrid Microcircuits.

Each channel contains an AlGaAs light emitting diode which is optically coupled to an integrated high gain photon detector. The detector has a threshold with hysteresis which provides differential mode noise immunity and

eliminates the potential for output signal chatter. The detector in the single channel units has a tri-state output stage

Truth Tables

(Positive Logic)

Multichannel Devices

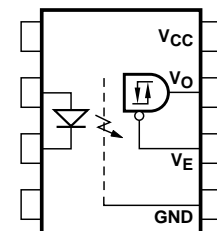
| Input | Output |
|---------|--------|
| On (H) | H |
| Off (L) | L |

Single Channel DIP

| Input | Enable | Output |
|---------|--------|--------|
| On (H) | H | Z |
| Off (L) | H | Z |
| On (H) | L | H |
| Off (L) | L | L |

Functional Diagram

Multiple Channel Devices Available



A 0.1 μF bypass capacitor must be connected between V_{CC} and GND pins.

CAUTION: It is advised that normal static precautions be taken in handling and assembly of this component to prevent damage and/or degradation which may be induced by ESD.

which allows for direct connection to data buses. The output is non-inverting. The detector IC has an internal shield that provides a guaranteed common mode transient immunity of up to 10,000 V/ μ s. Improved power supply rejection eliminates the need for special power supply bypass precautions.

Package styles for these parts are 8 pin DIP through hole (case outline P), 16 pin DIP flat pack (case outline F), and leadless

ceramic chip carrier (case outline 2). Devices may be purchased with a variety of lead bend and plating options, see Selection Guide Table for details. Standard Microcircuit Drawing (SMD) parts are available for each package and lead style.

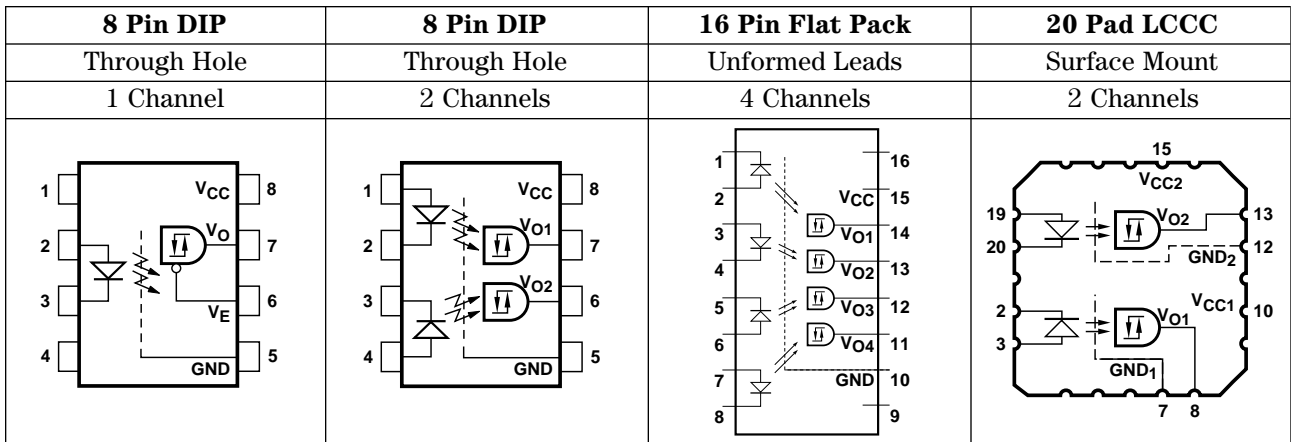
Because the same electrical die (emitters and detectors) are used for each channel of each device listed in this data sheet, absolute maximum ratings, recommended operating conditions, electrical

specifications, and performance characteristics shown in the figures are identical for all parts. Occasional exceptions exist due to package variations and limitations and are as noted. Additionally, the same package assembly processes and materials are used in all devices. These similarities give justification for the use of data obtained from one part to represent other part's performance for die related reliability and certain limited radiation test results.

Selection Guide—Package Styles and Lead Configuration Options

| Package | 8 Pin DIP | 8 Pin DIP | 16 Pin Flat Pack | 20 Pad LCCC |
|-------------------------------------|--------------|-----------------------|-----------------------|---------------|
| Lead Style | Through Hole | Through Hole | Unformed Leads | Surface Mount |
| Channels | 1 | 2 | 4 | 2 |
| Common Channel Wiring | None | V _{CC} , GND | V _{CC} , GND | None |
| Agilent Part # & Options | | | | |
| Commercial | HCPL-5200 | HCPL-5230 | HCPL-6250 | HCPL-6230 |
| MIL-PRF-38534, Class H | HCPL-5201 | HCPL-5231 | HCPL-6251 | HCPL-6231 |
| MIL-PRF-38534, Class K | HCPL-520K | HCPL-523K | HCPL-625K | HCPL-623K |
| Standard Lead Finish | Gold Plate | Gold Plate | Gold Plate | Soldered Pads |
| Solder Dipped | Option #200 | Option #200 | | |
| Butt Cut/Gold Plate | Option #100 | Option #100 | | |
| Gull Wing/Soldered | Option #300 | Option #300 | | |
| Class H SMD Part # | | | | |
| Prescript for all below | 5962- | 5962- | 5962- | 5962- |
| Either Gold or Solder | 8876801PX | 8876901PX | 8876903FX | 88769022X |
| Gold Plate | 8876801PC | 8876901PC | 8876903FC | |
| Solder Dipped | 8876801PA | 8876901PA | | 88769022A |
| Butt Cut/Gold Plate | 8876801YC | 8876901YC | | |
| Butt Cut/Soldered | 8876801YA | 8876901YA | | |
| Gull Wing/Soldered | 8876801XA | 8876901XA | | |
| Class K SMD Part # | | | | |
| Prescript for all below | 5962- | 5962- | 5962- | 5962- |
| Either Gold or Solder | 8876802KPX | 8876904KPX | 8876906KFX | 8876905K2X |
| Gold Plate | 8876802KPC | 8876904KPC | 8876906KFC | |
| Solder Dipped | 8876802KPA | 8876904KPA | | 8876905K2A |
| Butt Cut/Gold Plate | 8876802KYC | 8876904KYC | | |
| Butt Cut/Soldered | 8876802KYA | 8876904KYA | | |
| Gull Wing/Soldered | 8876802KXA | 8876904KXA | | |

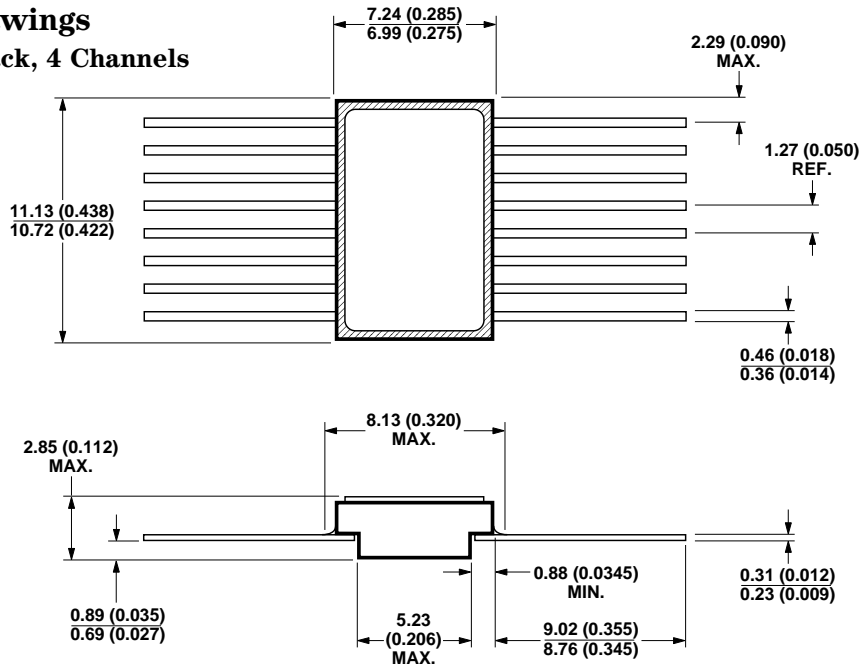
Functional Diagrams



Note: Multichannel DIP and flat pack devices have common V_{CC} and ground. Single channel DIP has an enable pin 6. LCCC (leadless ceramic chip carrier) package has isolated channels with separate V_{CC} and ground connections.

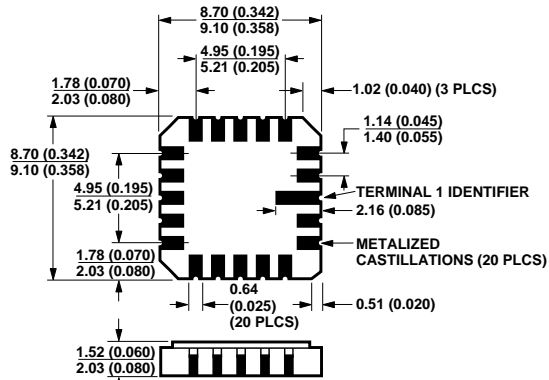
Outline Drawings

16 Pin Flat Pack, 4 Channels



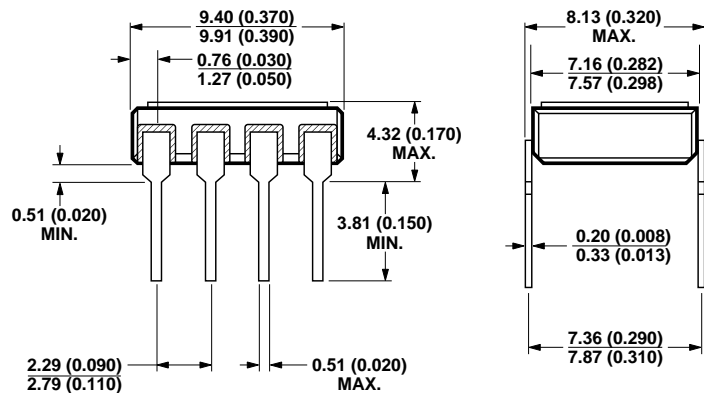
NOTE: DIMENSIONS IN MILLIMETERS (INCHES).

20 Terminal LCCC Surface Mount, 2 Channels



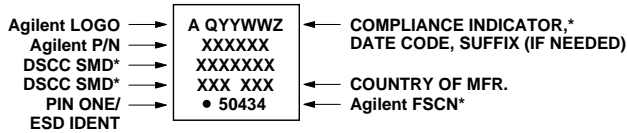
NOTE: DIMENSIONS IN MILLIMETERS (INCHES).
SOLDER THICKNESS 0.127 (0.005) MAX.

8 Pin DIP Through Hole, 1 and 2 Channel



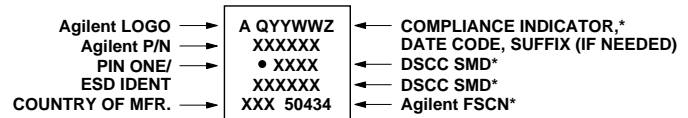
NOTE: DIMENSIONS IN MILLIMETERS (INCHES).

Leaded Device Marking



*QUALIFIED PARTS ONLY

Leadless Device Marking



*QUALIFIED PARTS ONLY

Hermetic Optocoupler Options

| Option | Description |
|--------|--|
| 100 | <p>Surface mountable hermetic optocoupler with leads trimmed for butt joint assembly. This option is available on commercial and hi-rel product in 8 pin DIP (see drawings below for details).</p> <p>NOTE: DIMENSIONS IN MILLIMETERS (INCHES).</p> |
| 200 | <p>Lead finish is solder dipped rather than gold plated. This option is available on commercial and hi-rel product in 8 pin DIP. DSCC Drawing part numbers contain provisions for lead finish. All leadless chip carrier devices are delivered with solder dipped terminals as a standard feature.</p> |
| 300 | <p>Surface mountable hermetic optocoupler with leads cut and bent for gull wing assembly. This option is available on commercial and hi-rel product in 8 pin DIP (see drawings below for details). This option has solder dipped leads.</p> <p>NOTE: DIMENSIONS IN MILLIMETERS (INCHES).</p> |

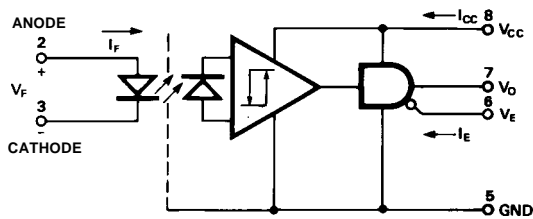
Absolute Maximum Ratings

| | |
|---|------------------------|
| Storage Temperature Range, T_S | -65°C to +150°C |
| Operating Temperature, T_A | -55°C to +125°C |
| Case Temperature, T_C | +170°C |
| Junction Temperature, T_J | +175°C |
| Lead Solder Temperature | 260°C for 10 s |
| Average Forward Current, $I_{F\text{AVG}}$ (each channel) | 8 mA |
| Peak Input Current, $I_{F\text{PK}}$ (each channel) | 20 mA ^[1] |
| Reverse Input Voltage, V_R (each channel) | 3 V |
| Supply Voltage, V_{CC} | 0.0 V min., 20 V max. |
| Average Output Current, I_O (each channel) | 15 mA |
| Output Voltage, V_O (each channel) | -0.3 V min., 20 V max. |
| Package Power Dissipation, P_d (each channel) | 200 mW |

Single Channel Product Only

| | |
|---------------------------------------|------------------------|
| Tri-State Enable Voltage, V_E | -0.3 V min., 20 V max. |
|---------------------------------------|------------------------|

8 Pin Ceramic DIP Single Channel Schematic



Note enable pin 6. An external 0.01 μF to 0.1 μF bypass capacitor is recommended between V_{CC} and ground for each package type.

ESD Classification

(MIL-STD-883, Method 3015)

| | |
|--|-----------------------|
| HCPL-5200/01/0K, HCPL-6230/31/3K | (Δ), Class 1 |
| HCPL-5230/31/3K, HCPL-6250/51/5K | (Dot), Class 3 |

Recommended Operating Conditions

| Parameter | Symbol | Min. | Max. | Units |
|---|----------|------|------|-------|
| Power Supply Voltage | V_{CC} | 4.5 | 20 | V |
| Input Current, High Level, Each Channel | I_{FH} | 2 | 8 | mA |
| Input Voltage, Low Level, Each Channel | V_{FL} | 0 | 0.8 | V |
| Fan Out (TTL Load) Each Channel | N | | 4 | |

Single Channel Product Only

| | | | | |
|---------------------------|----------|-----|-----|---|
| High Level Enable Voltage | V_{EH} | 2.0 | 20 | V |
| Low Level Enable Voltage | V_{EL} | 0 | 0.8 | V |

Electrical Characteristics

$T_A = -55^\circ\text{C}$ to $+125^\circ\text{C}$, $4.5\text{ V} \leq V_{CC} \leq 20\text{ V}$, $2\text{ mA} \leq I_{F(\text{ON})} \leq 8\text{ mA}$, $0\text{ V} \leq V_{F(\text{OFF})} \leq 0.8\text{ V}$, unless otherwise specified.

| Parameter | Sym. | Test Conditions | Group A ^[11] Subgroups | Limit | | | Units | Fig. | Notes | | |
|--|----------------|--|--------------------------------------|-------|--------|---|------------------|------|----------|------|----|
| | | | | Min. | Typ.* | Max. | | | | | |
| Logic Low Output Voltage | V_{OL} | $I_{OL} = 6.4\text{ mA}$ (4 TTL Loads) | 1, 2, 3 | | | 0.5 | V | 1,3 | 2 | | |
| Logic High Output Voltage | V_{OH} | $I_{OH} = -2.6\text{ mA}$ (* $V_{OH} = V_{CC} - 2.1\text{ V}$) | 1, 2, 3 | 2.4 | ** | | V | 2,3 | 2 | | |
| | | $I_{OH} = -0.32\text{ mA}$ | NA | | 3.1 | | | | | | |
| Output Leakage Current ($V_{OUT} > V_{CC}$) | I_{OHH} | $V_O = 5.5\text{ V}$ | 1, 2, 3 | | | 100 | μA | | 2 | | |
| | | $V_O = 20\text{ V}$ | | | | $V_{CC} = 4.5\text{ V}$ | | | | 500 | |
| Logic Low Supply Current | Single Channel | $V_{CC} = 5.5\text{ V}$ | 1, 2, 3 | | | 4.5 | mA | | | | |
| | | $V_{CC} = 20\text{ V}$ | | | | $V_F = 0\text{ V}$ $V_E = \text{Don't Care}$ | | | | 6 | |
| | Dual Channel | $V_{CC} = 5.5\text{ V}$ | | | | $V_{F1} = V_{F2} = 0\text{ V}$ | | | | 9.0 | 12 |
| | | $V_{CC} = 20\text{ V}$ | | | | | | | | 10.6 | 15 |
| | Quad Channel | $V_{CC} = 5.5\text{ V}$ | | | | $V_{F1} = V_{F2} =$ $V_{F3} = V_{F4} = 0\text{ V}$ | | | | 14 | 24 |
| | | $V_{CC} = 20\text{ V}$ | | | | | | | | 17 | 30 |
| Logic High Supply Current | Single Channel | $V_{CC} = 5.5\text{ V}$ | 1, 2, 3 | | | 2.9 | mA | | | | |
| | | $V_{CC} = 20\text{ V}$ | | | | $I_F = 8\text{ mA}$ $V_E = \text{Don't Care}$ | | | | 4.5 | |
| | Dual Channel | $V_{CC} = 5.5\text{ V}$ | | | | $I_{F1} =$ $I_{F2} = 8\text{ mA}$ | | | | 3.3 | 6 |
| | | $V_{CC} = 20\text{ V}$ | | | | | | | | 5.8 | 9 |
| | Quad Channel | $V_{CC} = 5.5\text{ V}$ | | | | $I_{F1} = I_{F2} =$ $I_{F3} =$ $I_{F4} = 8\text{ mA}$ | | | | 6.6 | 12 |
| | | $V_{CC} = 20\text{ V}$ | | | | | | | | 9 | 18 |
| Logic Low Short Circuit Output Current | I_{OSL} | $V_O = V_{CC} = 5.5\text{ V}$ | 1, 2, 3 | | | 20 | mA | | 2, 3 | | |
| | | $V_O = V_{CC} = 20\text{ V}$ | | | | $V_F = 0\text{ V}$ | | | | 35 | |
| Logic High Short Circuit Output Current | I_{OSH} | $V_{CC} = 5.5\text{ V}$ | 1, 2, 3 | | | -10 | mA | | 2, 3 | | |
| | | $V_{CC} = 20\text{ V}$ | | | | $I_F = 8\text{ mA}$ $V_O = \text{GND}$ | | | | -25 | |
| Input Forward Voltage | V_F | $I_F = 8\text{ mA}$ | 1, 2, 3 | 1.0 | 1.3 | 1.8 | V | 4 | 2 | | |
| Input Reverse Breakdown Voltage | BV_R | $I_R = 10\text{ }\mu\text{A}$ | 1, 2, 3 | 3 | | | V | | 2 | | |
| Input-Output Insulation Leakage Current | I_{I-O} | $V_{I-O} = 1500\text{ Vdc}$, $t = 5\text{ s}$ $RH = 45\%$, $T_A = 25^\circ\text{C}$ | 1 | | | 1.0 | μA | | 4, 5 | | |
| Logic High Common Mode Transient Immunity | $ CM_H $ | $I_F = 2\text{ mA}$, $V_{CM} = 50\text{ V}_{P-P}$ | 9, 10, 11 | 1000 | 10,000 | | V/ μs | 9 | 2, 6, 12 | | |
| Logic Low Common Mode Transient Immunity | $ CM_L $ | $I_F = 0\text{ mA}$, $V_{CM} = 50\text{ V}_{P-P}$ | 9, 10, 11 | 1000 | 10,000 | | V/ μs | 9 | 2, 6, 12 | | |
| Propagation Delay Time to Logic Low | t_{PHL} | | 9, 10, 11 | | 173 | 350 | ns | 5, 6 | 2, 7 | | |
| Propagation Delay Time to Logic High | t_{PLH} | | 9, 10, 11 | | 118 | 350 | ns | 5, 6 | 2, 7 | | |

Electrical Characteristics Single Channel Product Only

$T_A = -55^\circ\text{C}$ to $+125^\circ\text{C}$, $4.5\text{ V} \leq V_{CC} \leq 20\text{ V}$, $2\text{ mA} \leq I_{F(\text{ON})} \leq 8\text{ mA}$, $0\text{ V} \leq V_{F(\text{OFF})} \leq 0.8\text{ V}$, $2.0\text{ V} \leq V_{EH} \leq 20\text{ V}$, $0\text{ V} \leq V_{EL} \leq 0.8\text{ V}$, unless otherwise specified.

| Parameter | Sym. | Test Conditions | Group A ^[11] Subgroups | Limits | | | Units | Fig. | Notes |
|-------------------------------------|------------------------|-------------------------|--|---------|---|-------|-------|------|-------|
| | | | | Min. | Typ.* | Max. | | | |
| High Impedance State Output Current | I _{OZL} | V _O = 0.4 V | V _{EN} = 2 V, V _F = 0 V | 1, 2, 3 | | | -20 | μA | |
| | | V _O = 2.4 V | | | V _{EN} = 2 V, I _F = 8 mA | | | | |
| | V _O = 5.5 V | 1, 2, 3 | | | | 100 | | | |
| | V _O = 20 V | | | | | 500 | | | |
| Logic High Enable Voltage | V _{EH} | | 1, 2, 3 | 2.0 | | | V | | |
| Logic Low Enable Voltage | V _{EL} | | 1, 2, 3 | | | 0.8 | V | | |
| Logic High Enable Current | I _{EH} | V _{EN} = 2.7 V | 1, 2, 3 | | | 20 | μA | | |
| | | V _{EN} = 5.5 V | | | | 100 | | | |
| | | V _{EN} = 20 V | | | 0.004 | 250 | | | |
| Logic Low Enable Current | I _{EL} | V _{EN} = 0.4 V | 1, 2, 3 | | | -0.32 | mA | | |

*All typical values are at $V_{CC} = 5\text{ V}$, $T_A = 25^\circ\text{C}$, $I_{F(\text{ON})} = 5\text{ mA}$ unless otherwise specified.

Typical Characteristics

All typical values are at $T_A = 25^\circ\text{C}$, $V_{CC} = 5\text{ V}$, $I_{F(\text{ON})} = 5\text{ mA}$ unless otherwise specified.

| Parameter | Symbol | Typ. | Units | Test Conditions | Fig. | Notes |
|-------------------------------------|---------------------------------|------------------|-------|---------------------------------|------|-------|
| Input Current Hysteresis | I _{HYS} | 0.07 | mA | V _{CC} = 5 V | 3 | 2 |
| Input Diode Temperature Coefficient | $\frac{\Delta V_F}{\Delta T_A}$ | -1.25 | mV/°C | I _F = 8 mA | | 2 |
| Resistance (Input-Output) | R _{I-O} | 10 ¹³ | Ω | V _{I-O} = 500 Vdc | | 2, 8 |
| Capacitance (Input-Output) | C _{I-O} | 2.0 | pF | f = 1 MHz | | 2, 8 |
| Input Capacitance | C _{IN} | 20 | pF | V _F = 0 V, f = 1 MHz | | 2, 10 |
| Output Rise Time (10-90%) | t _r | 45 | ns | | 5, 7 | 2 |
| Output Fall Time (90-10%) | t _f | 10 | ns | | 5, 7 | 2 |

Typical Characteristics (cont'd.)

All typical values are at $T_A = 25^\circ\text{C}$, $V_{CC} = 5\text{ V}$, $I_{F(\text{ON})} = 5\text{ mA}$, unless otherwise specified.

Single Channel Product Only

| Parameter | Symbol | Typ. | Units | Test Conditions | Fig. | Notes |
|-------------------------------------|-----------|------|-------|-----------------|------|-------|
| Output Enable Time to Logic High | t_{PZH} | 30 | ns | | 8 | |
| Output Enable Time to Logic Low | t_{PZL} | 30 | ns | | 8 | |
| Output Disable Time from Logic High | t_{PHZ} | 45 | ns | | 8 | |
| Output Disable Time from Logic Low | t_{PLZ} | 55 | ns | | 8 | |

Dual and Quad Channel Products Only

| | | | | | | |
|--|-----------|-----------|----------|---|--|---|
| Input-Input Insulation Leakage Current | I_{I-I} | 0.5 | nA | $RH = 45\%$, $T_A = 25^\circ\text{C}$, $V_{I-I} = 500\text{ V}$, $t = 5\text{ s}$ | | 9 |
| Resistance (Input-Input) | R_{I-I} | 10^{13} | Ω | $V_{I-I} = 500\text{ V}$ | | 9 |
| Capacitance (Input-Input) | C_{I-I} | 1.5 | pF | $f = 1\text{ MH}$ | | 9 |

Notes:

1. Peak Forward Input Current pulse width $< 50\ \mu\text{s}$ at 1 KHz maximum repetition rate.
2. Each channel of a multichannel device.
3. Duration of output short circuit time not to exceed 10 ms.
4. All devices are considered two-terminal devices: measured between all input leads or terminals shorted together and all output leads or terminals shorted together.
5. This is a momentary withstand test, not an operating condition.
6. CM_L is the maximum rate of rise of the common mode voltage that can be sustained with the output voltage in the logic low state ($V_o < 0.8\text{ V}$). CM_H is the maximum rate of fall of the common mode voltage that can be sustained with the output voltage in the logic high state ($V_o > 2.0\text{ V}$).
7. t_{PHL} propagation delay is measured from the 50% point on the leading edge of the input pulse to the 1.3 V point on the leading edge of the output pulse. The t_{PLH} propagation delay is measured from the 50% point on the trailing edge of the input pulse to the 1.3 V point on the trailing edge of the output pulse.
8. Measured between each input pair shorted together and all output connections for that channel shorted together.
9. Measured between adjacent input pairs shorted together for each multichannel device.
10. Zero-bias capacitance measured between the LED anode and cathode.
11. Standard parts receive 100% testing at 25°C (Subgroups 1 and 9). SMD, Class H and Class K parts receive 100% testing at 25, 125, and -55°C (Subgroups 1 and 9, 2 and 10, 3 and 11, respectively).
12. Parameters are tested as part of device initial characterization and after design and process changes. Parameters guaranteed to limits specified for all lots not specifically tested.

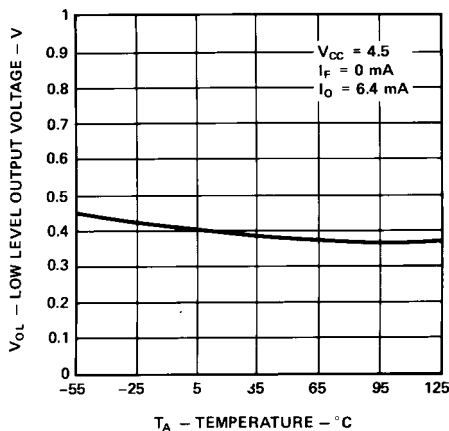


Figure 1. Typical Logic Low Output Voltage vs. Temperature.

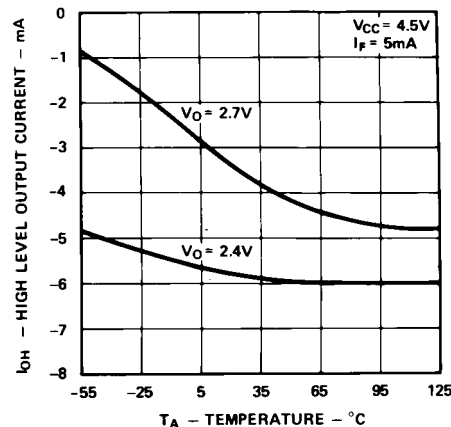


Figure 2. Typical Logic High Output Current vs. Temperature.

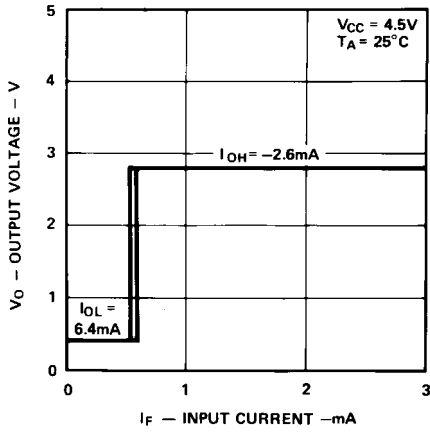


Figure 3. Output Voltage vs. Forward Input Current.

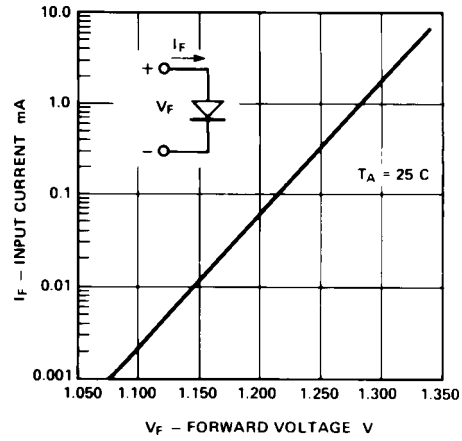


Figure 4. Typical Diode Input Forward Characteristic.

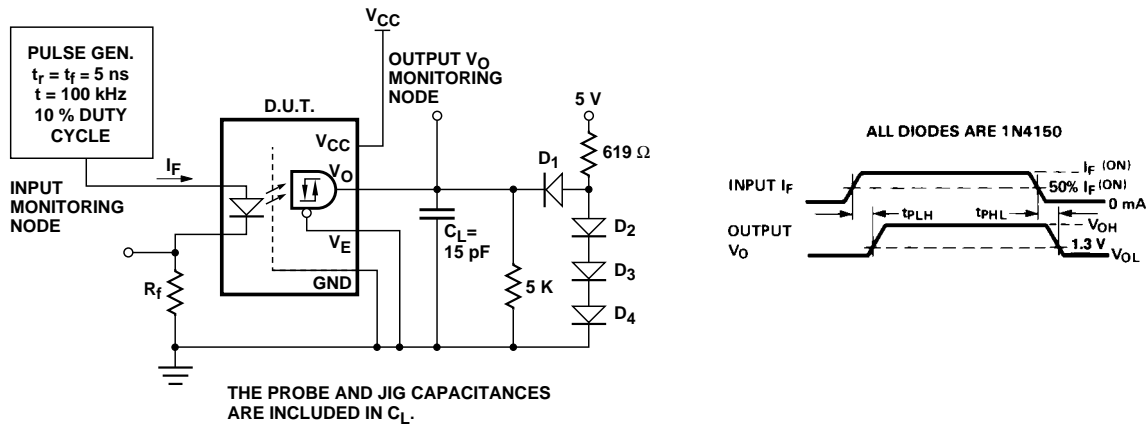


Figure 5. Test Circuit for t_{PLH} , t_{PHL} , t_r , and t_f .

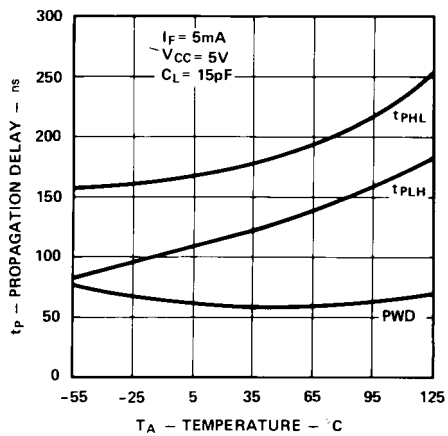


Figure 6. Typical Propagation Delay vs. Temperature.

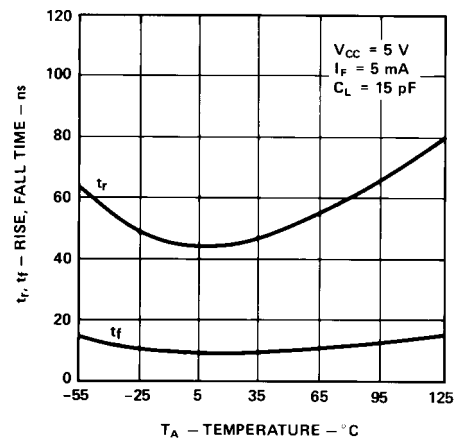


Figure 7. Typical Rise, Fall Time vs. Temperature.

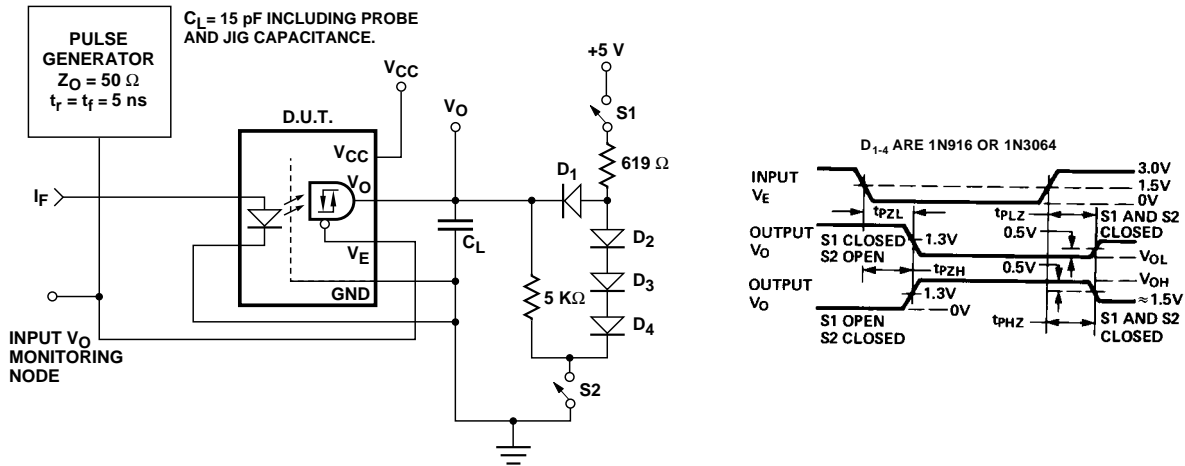


Figure 8. Test Circuit for t_{PHZ} , t_{PZH} , t_{PLZ} , and t_{PZL} .

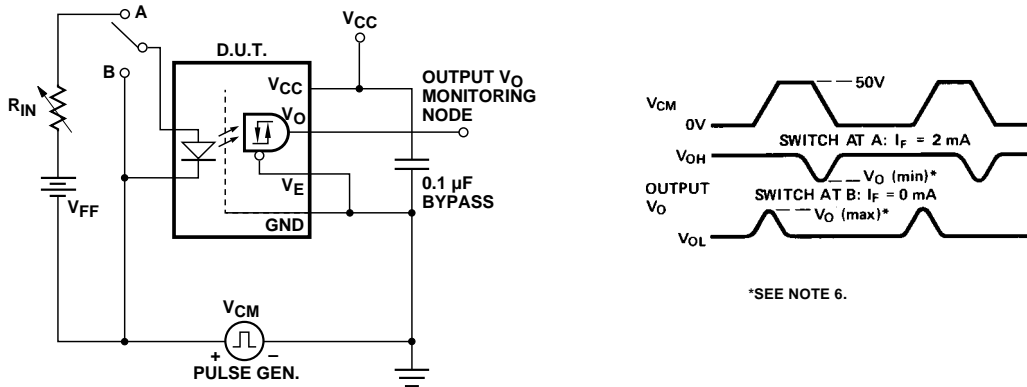


Figure 9. Test Circuit for Common Mode Transient Immunity and Typical Waveforms.

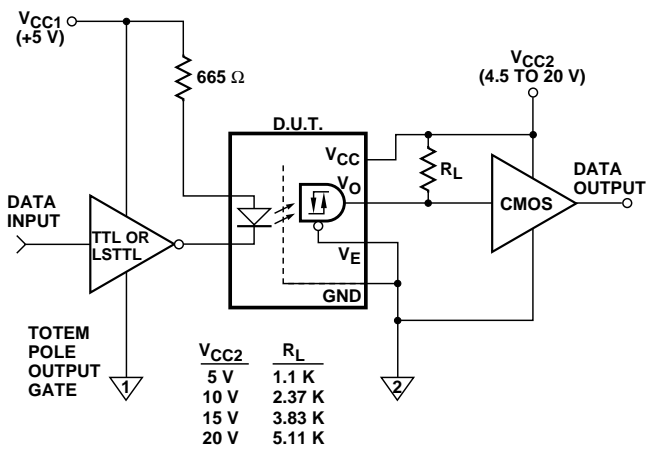


Figure 10. LSTTL to CMOS Interface Circuit.

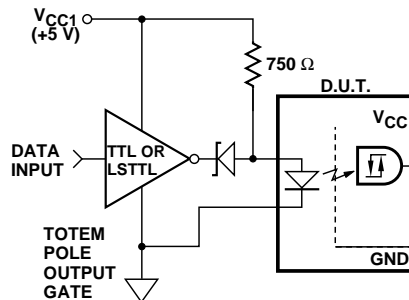


Figure 11. Recommended LED Drive Circuit.

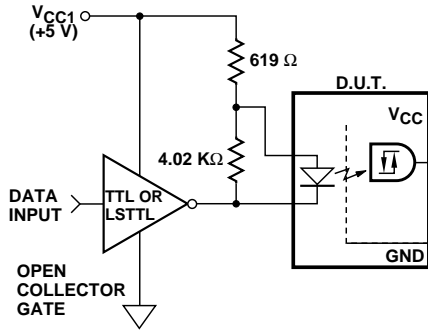


Figure 12. Series LED Drive with Open Collector Gate (4.02 kΩ Resistor Shunts I_{OH} from the LED).

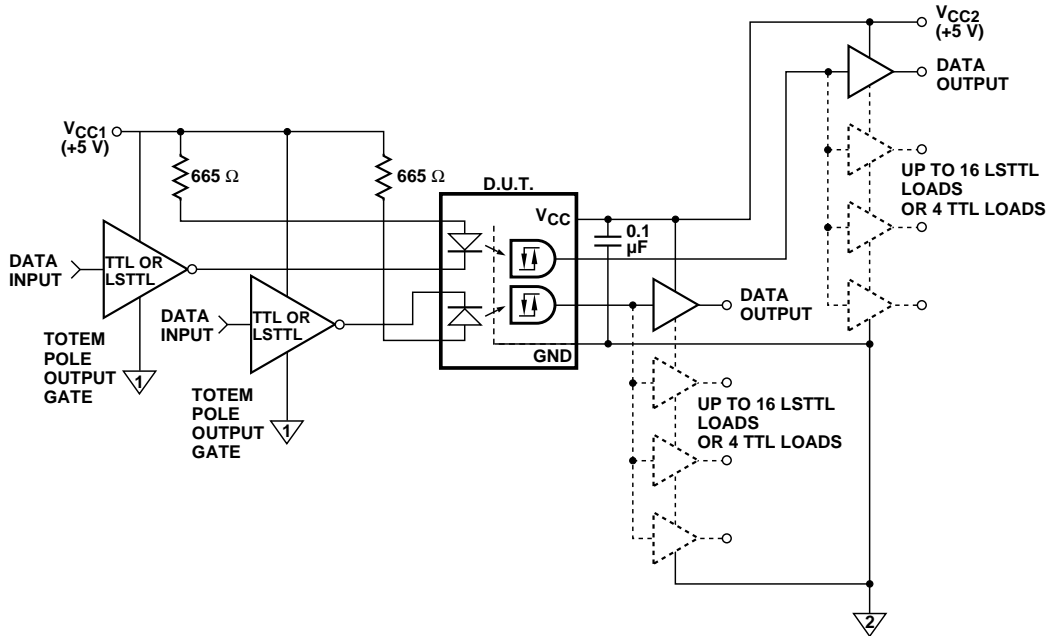
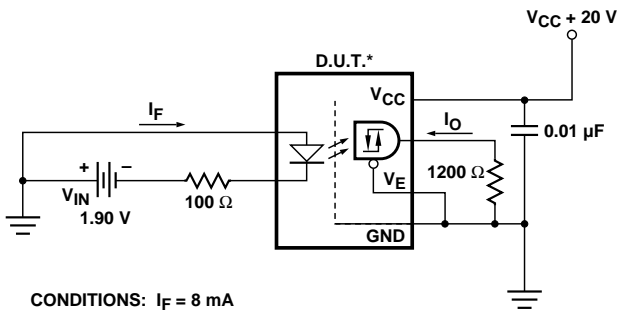


Figure 13. Recommended LSTTL to LSTTL Circuit.



CONDITIONS: $I_F = 8 \text{ mA}$
 $I_O = -14 \text{ mA}$

$T_A = +125 \text{ }^\circ\text{C}$

*ALL CHANNELS TESTED SIMULTANEOUSLY.

Figure 14. Single Channel Operating Circuit for Burn-in and Steady State Life Tests.

MIL-PRF-38534 Class H, Class K, and DSCC SMD Test Program

Agilent's Hi-Rel Optocouplers are in compliance with MIL-PRF-38534 Classes H and K. Class H and Class K devices are also in compliance with DSCC drawings 5962-88768 and 5962-88769.

Testing consists of 100% screening and quality conformance inspection to MIL-PRF-38534.

Компания «Океан Электроники» предлагает заключение долгосрочных отношений при поставках импортных электронных компонентов на взаимовыгодных условиях!

Наши преимущества:

- Поставка оригинальных импортных электронных компонентов напрямую с производств Америки, Европы и Азии, а так же с крупнейших складов мира;
- Широкая линейка поставок активных и пассивных импортных электронных компонентов (более 30 млн. наименований);
- Поставка сложных, дефицитных, либо снятых с производства позиций;
- Оперативные сроки поставки под заказ (от 5 рабочих дней);
- Экспресс доставка в любую точку России;
- Помощь Конструкторского Отдела и консультации квалифицированных инженеров;
- Техническая поддержка проекта, помощь в подборе аналогов, поставка прототипов;
- Поставка электронных компонентов под контролем ВП;
- Система менеджмента качества сертифицирована по Международному стандарту ISO 9001;
- При необходимости вся продукция военного и аэрокосмического назначения проходит испытания и сертификацию в лаборатории (по согласованию с заказчиком);
- Поставка специализированных компонентов военного и аэрокосмического уровня качества (Xilinx, Altera, Analog Devices, Intersil, Interpoint, Microsemi, Actel, Aeroflex, Peregrine, VPT, Syfer, Eurofarad, Texas Instruments, MS Kennedy, Miteq, Cobham, E2V, MA-COM, Hittite, Mini-Circuits, General Dynamics и др.);

Компания «Океан Электроники» является официальным дистрибьютором и эксклюзивным представителем в России одного из крупнейших производителей разъемов военного и аэрокосмического назначения «JONHON», а так же официальным дистрибьютором и эксклюзивным представителем в России производителя высокотехнологичных и надежных решений для передачи СВЧ сигналов «FORSTAR».



JONHON

«JONHON» (основан в 1970 г.)

Разъемы специального, военного и аэрокосмического назначения:

(Применяются в военной, авиационной, аэрокосмической, морской, железнодорожной, горно- и нефтедобывающей отраслях промышленности)

«FORSTAR» (основан в 1998 г.)

ВЧ соединители, коаксиальные кабели, кабельные сборки и микроволновые компоненты:

(Применяются в телекоммуникациях гражданского и специального назначения, в средствах связи, РЛС, а так же военной, авиационной и аэрокосмической отраслях промышленности).



Телефон: 8 (812) 309-75-97 (многоканальный)

Факс: 8 (812) 320-03-32

Электронная почта: ocean@oceanchips.ru

Web: <http://oceanchips.ru/>

Адрес: 198099, г. Санкт-Петербург, ул. Калинина, д. 2, корп. 4, лит. А