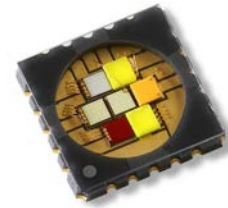


## **PRELIMINARY**

LuxiGen™ Multi-Color Emitter Series  
LZ7 Plus Flat Lens Emitter  
RGB – PC Amber – Cyan – PC Lime

# **LZ7-04M2PD**



## **Key Features**

- 6-color surface mount ceramic LED package with integrated flat glass lens
- 60W max power dissipation in a small 7.0mm x 7.0mm emitter footprint
- Red, Green, Blue, PC Amber, Cyan and PC Lime enables richer and wider color combination for more sophisticated color mixing
- Compact 3.4mm x 3.4mm Light Emitting Surface (LES) and low profile package maximize coupling efficiency into secondary optics
- Thermal resistance of 0.8 °C/W
- Electrically neutral thermal path
- JEDEC Level 1 for Moisture Sensitivity Level
- Lead (Pb) free and RoHS compliant

## **Typical Applications**

- Stage and Studio Lighting
- Effect Lighting
- Accent Lighting
- Display Lighting
- Architectural Lighting

## **Description**

The LZ7 flat lens emitter contains 6 different colors LED dies closely packed in a low thermal resistance package with integrated glass window. The addition of PC Amber, Cyan and PC Lime to the traditional RGB colors enables richer and wider color combination for more sophisticated color mixing. The compact 3.4mm x 3.4mm LES, low profile package and glass window, allows maximum coupling efficiency into the zoom optics, mixing rods, light pipes and other secondary optics. The high quality materials used in the package are chosen to maximize light output and minimize stresses which results in monumental reliability and lumen maintenance.

## **Notes**

This product emits Blue light, which can be hazardous depending on total system configuration (including, but not limited to optics, drive current and temperature). Do not stare directly into the beam and observe safety precaution given in IEC 62471 when operating this product.

## Part number options

### Base part number

| Part number     | Description   |
|-----------------|---|
| LZ7-04M2PD-0000 | LZ7 Plus RGB-PC Amber-Cyan-PC Lime flat lens emitter                    |
| LZ7-A4M2PD-0000 | LZ7 Plus RGB-PC Amber-Cyan-PC Lime flat lens emitter on 7 channel MCPCB |

### Bin kit option codes

| M2, Red-Green-Blue-PC Amber-Cyan-PC Lime |              |                  |  |
|--|--------------|------------------|--|
| Kit number suffix                        | Min flux Bin | Color Bin Ranges | Description  |
| 0000                                     | 06R          | R05-R06          | Red, full distribution flux; full distribution wavelength      |
|  | 26G          | G06-G07          | Green, full distribution flux; full distribution wavelength    |
|  | 09B          | B05              | Blue, full distribution flux; full distribution wavelength     |
|  | 17A          | PCA2             | PC Amber, full distribution flux; full distribution wavelength |
|  | 03C          | C03              | Cyan, full distribution flux; full distribution wavelength     |
|  | 02L          | PCL              | PC Lime full distribution flux, full distribution wavelength   |

## Flux Bins [Preliminary]

Table 1:

| Bin Code | Minimum Flux<br>@ I <sub>F</sub> = 1000mA <sup>[1]</sup> |          |         |             |         |            | Maximum Flux<br>@ I <sub>F</sub> = 1000mA <sup>[1]</sup> |          |         |             |         |            |
|----------|--|----------|---------|-------------|---------|------------|--|----------|---------|-------------|---------|------------|
|          | lm   | lm       | W       | lm          | lm      | lm         | lm   | lm       | W       | lm          | lm      | lm         |
|          | 1x Red   | 1x Green | 1x Blue | 1x PC Amber | 1x Cyan | 2x PC Lime | 1x Red   | 1x Green | 1x Blue | 1x PC Amber | 1x Cyan | 2x PC Lime |
| 06R      | 75   |          |         |             |         |            | 105  |          |         |             |         |            |
| 26G      |  | 160      |         |             |         |            |  | 280      |         |             |         |            |
| 09B      |  |          | 1.0     |             |         |            |  |          | 1.5     |             |         |            |
| 17A      |  |          |         | 90          |         |            |  |          |         | 175         |         |            |
| 03C      |  |          |         |             | 85      |            |  |          |         |             | 156     |            |
| 02L      |  |          |         |             |         | 495        |  |          |         |             |         | 1000       |

Notes for Table 1:

- Flux performance is measured at 10ms pulse, T<sub>C</sub> = 25°C. LED Engin maintains a tolerance of ±10% on flux measurements.

## Wavelength Bins

Table 2:

| Bin Code | Minimum Dominant Wavelength (λ <sub>D</sub> )<br>@ I <sub>F</sub> = 1000mA <sup>[1,2]</sup><br>(nm) |          |         |         | Maximum Dominant Wavelength (λ <sub>D</sub> )<br>@ I <sub>F</sub> = 1000mA <sup>[1,2]</sup><br>(nm) |          |         |         |
|----------|---|----------|---------|---------|---|----------|---------|---------|
|          | 1x Red  | 1x Green | 1x Blue | 1x Cyan | 1x Red  | 1x Green | 1x Blue | 1x Cyan |
| R05      | 617   |          |         |         | 622   |          |         |         |
| R06      | 622   |          |         |         | 627   |          |         |         |
| G06      |   | 519      |         |         |   | 522      |         |         |
| G07      |   | 522      |         |         |   | 525      |         |         |
| B05      |   |          | 449     |         |   |          | 453     |         |
| C03      |   |          |         | 495     |   |          |         | 502     |

Notes for Table 2:

- Wavelength is measured at 10ms pulse, T<sub>C</sub> = 25°C.
- LED Engin maintains a tolerance of ± 1.0nm on dominant wavelength measurements.

## Forward Voltage Bin

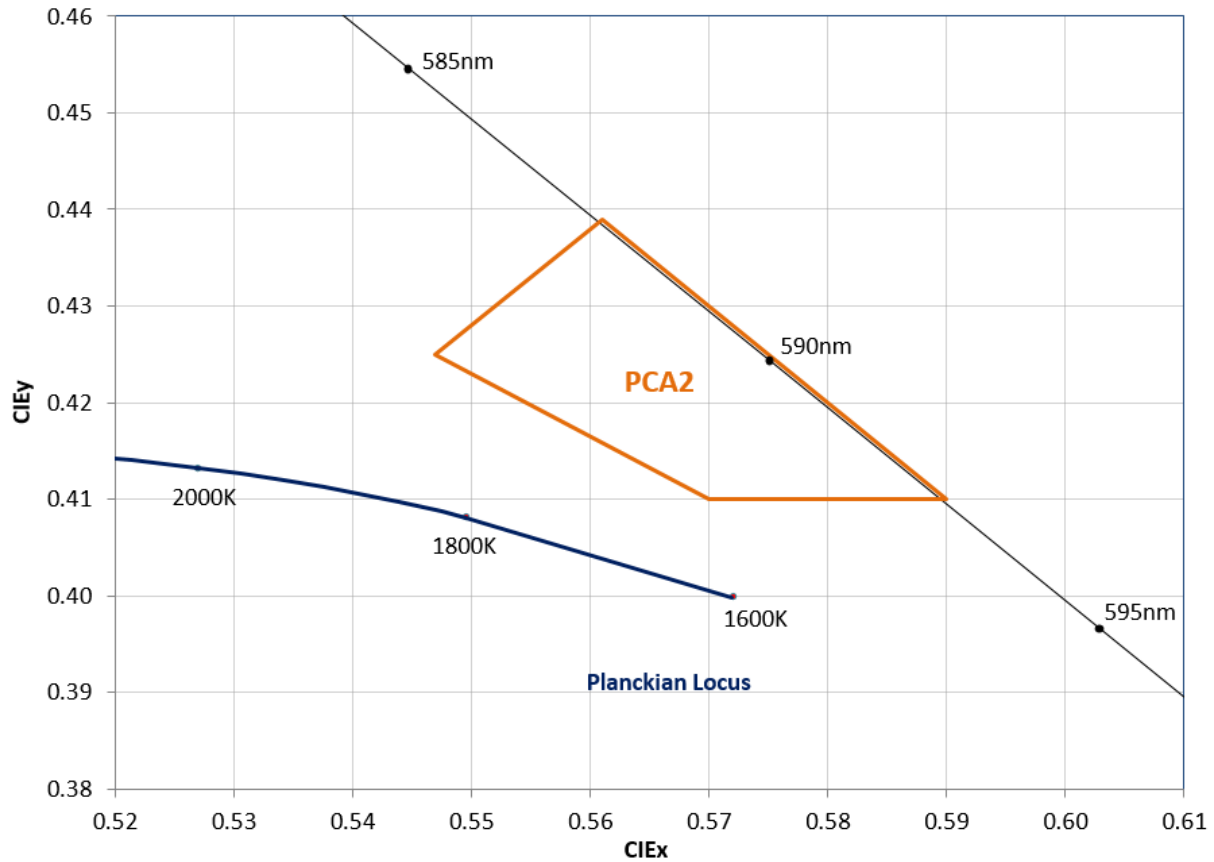
Table 3:

| Bin Code | Minimum Forward Voltage (V <sub>F</sub> )<br>@ I <sub>F</sub> = 1000mA <sup>[1]</sup><br>(V) |          |         |             |         |            | Maximum Forward Voltage (V <sub>F</sub> )<br>@ I <sub>F</sub> = 1000mA <sup>[1]</sup><br>(V) |          |         |             |         |            |
|----------|--|----------|---------|-------------|---------|------------|--|----------|---------|-------------|---------|------------|
|          | 1x Red   | 1x Green | 1x Blue | 1x PC Amber | 1x Cyan | 2x PC Lime | 1x Red   | 1x Green | 1x Blue | 1x PC Amber | 1x Cyan | 2x PC Lime |
| 0        | 1.8  | 3.0      | 2.7     | 2.8         | 2.9     | 5.4        | 2.8  | 4.1      | 3.4     | 3.8         | 4.0     | 6.8        |

Notes for Table 3:

- Forward voltage is measured at 10ms pulse, T<sub>C</sub> = 25°C. LED Engin maintains a tolerance of ± 0.04V/ die for forward voltage measurements.

## PC Amber Chromaticity Group

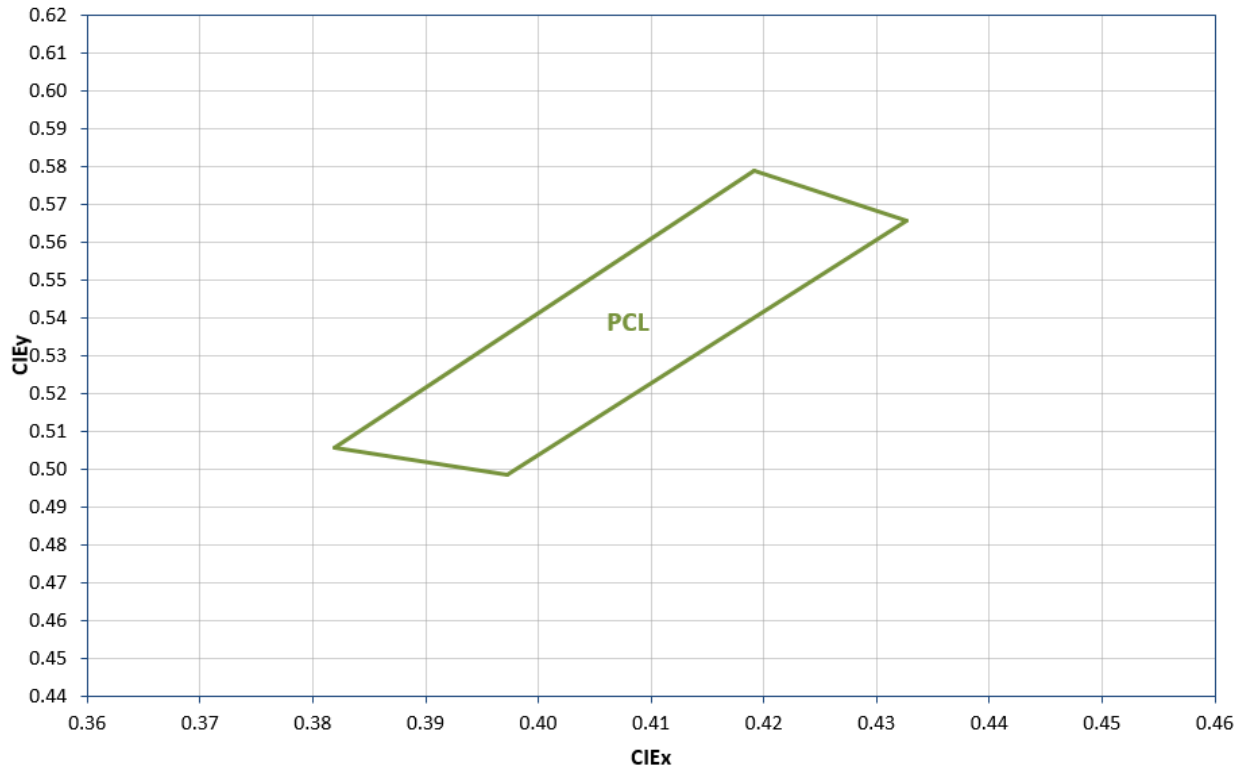


Standard Chromaticity Group plotted on excerpt from the CIE 1931 (2°) x-y Chromaticity Diagram. Coordinates are listed below.

## PC Amber Bin Coordinates

| Bin Code | CIEx   | CIEy   |
|----------|--------|--------|
| PCA2     | 0.5469 | 0.4249 |
|          | 0.5700 | 0.4100 |
|          | 0.5900 | 0.4100 |
|          | 0.5610 | 0.4390 |
|          | 0.5469 | 0.4249 |

## PC Lime Chromaticity Group



Standard Chromaticity Groups plotted on excerpt from the CIE 1931 (2°) x-y Chromaticity Diagram. Coordinates are listed below.

## PC Lime Bin Coordinates

| Bin Code | CIE x  | CIE y  |
|----------|--------|--------|
| PCL      | 0.3819 | 0.5055 |
|          | 0.4191 | 0.5790 |
|          | 0.4327 | 0.5655 |
|          | 0.3972 | 0.4986 |
|          | 0.3819 | 0.5055 |

Note:

1. For binning purposes, both PC Lime dies are connected in series.

## Absolute Maximum Ratings

Table 4:

| Parameter                                   | Symbol       | Value      | Unit |
|---|--------------|------------|------|
| DC Forward Current <sup>[1]</sup> (per die) |              |            |      |
| Red   |              | 2500       |      |
| Green, Blue                                 |              | 3000       |      |
| PC Amber                                    | $I_{F(MAX)}$ | 1500       | mA   |
| Cyan  |              | 1000       |      |
| PC Lime                                     |              | 2500       |      |
| Power Dissipation                           | $P_d$        | 60         | W    |
| Reverse Voltage                             | $V_R$        | See Note 3 | V    |
| Storage Temperature                         | $T_{std}$    | -40 ~ +150 | °C   |
| Junction Temperature                        | $T_{J(MAX)}$ | 125        | °C   |
| Soldering Temperature <sup>[4]</sup>        | $T_{sol}$    | 260        | °C   |
| Allowable Reflow Cycles                     |              | 6          |      |

Notes for Table 4:

1. Maximum DC forward current is determined by the overall thermal resistance and ambient temperature. Follow the curves in Figure 11 for current derating.
2. Pulse forward current conditions: Pulse Width  $\leq$  10msec and Duty Cycle  $\leq$  10%.
3. LEDs are not designed to be reverse biased.
4. Solder conditions per JEDEC 020D. See Reflow Soldering Profile Figure 3.
5. LED Engin recommends taking reasonable precautions towards possible ESD damages and handling the emitter in an electrostatic protected area (EPA). An EPA may be adequately protected by ESD controls as outlined in ANSI/ESD S6.1.

## Optical Characteristics @ $T_C = 25^\circ\text{C}$

Table 5:

| Parameter                                      | Symbol                  | Typical |         |                       |            |        |           | Unit    |
|--|-------------------------|---------|---------|-----------------------|------------|--------|-----------|---------|
|  |                         | 1xRed   | 1xGreen | 1xBlue <sup>[1]</sup> | 1xPC Amber | 1xCyan | 2xPC Lime |         |
| Luminous Flux (@ $I_F = 1000\text{mA}$ )       | $\Phi_V$                | 95      | 180     | 42 (1.2W)             | 140        | 135    | 620       | lm      |
| Luminous Flux (@ $I_{F\_Max}$ )                | $\Phi_V$                | 190     | 340     | 97 (2.8W)             | 182        | 135    | 1240      | lm      |
| Dominant Wavelength (@ $I_F = 1000\text{mA}$ ) | $\lambda_D$             | 623     | 520     | 451                   | 590        | 500    |           | nm      |
| Viewing Angle <sup>[2]</sup>                   | $2\Theta_{\frac{1}{2}}$ |         |         |                       | 114        |        |           | Degrees |
| Total Included Angle <sup>[3]</sup>            | $\Theta_{0.9}$          |         |         |                       | 156        |        |           | Degrees |

Notes for Table 5:

1. When operating the Blue LED, observe IEC 62471 Risk Group 3 rating. Do not stare into the beam.
2. Viewing Angle is the off axis angle from emitter centerline where the luminous intensity is  $\frac{1}{2}$  of the peak value.
3. Total Included Angle is the total angle that includes 90% of the total luminous flux.

## Electrical Characteristics @ $T_C = 25^\circ\text{C}$

Table 6:

| Parameter                                  | Symbol                  |       |         |        |            |        |            | Unit  |
|--|-------------------------|-------|---------|--------|------------|--------|------------|-------|
|  |                         | 1xRed | 1xGreen | 1xBlue | 1xPC Amber | 1xCyan | 2x PC Lime |       |
| Forward Voltage (@ $I_F = 1000\text{mA}$ ) | $V_F$                   | 2.4   | 3.5     | 3.2    | 3.6        | 3.8    | 6.4        | V     |
| Temperature Coefficient of Forward Voltage | $\Delta V_F/\Delta T_J$ | -1.9  | -4.2    | -1.8   | -3.2       | -2.6   | -3.6       | mV/°C |
| Thermal Resistance (Junction to Case)      | $RO_{J-C}$              |       |         |        | 0.8        |        |            | °C/W  |

## IPC/JEDEC Moisture Sensitivity Level

Table 7 - IPC/JEDEC J-STD-20D.1 MSL Classification:

| Level | Floor Life |                   | Soak Requirements |                 |            |            |
|-------|------------|-------------------|-------------------|-----------------|------------|------------|
|       | Time       | Conditions        | Standard          | Accelerated     | Time (hrs) | Conditions |
| 1     | Unlimited  | ≤ 30°C/<br>85% RH | 168<br>+5/-0      | 85°C/<br>85% RH | n/a        | n/a        |

Notes for Table 7:

1. The standard soak time includes a default value of 24 hours for semiconductor manufacturer's exposure time (MET) between bake and bag and includes the maximum time allowed out of the bag at the distributor's facility.

Preliminary

## Mechanical Dimensions (mm)

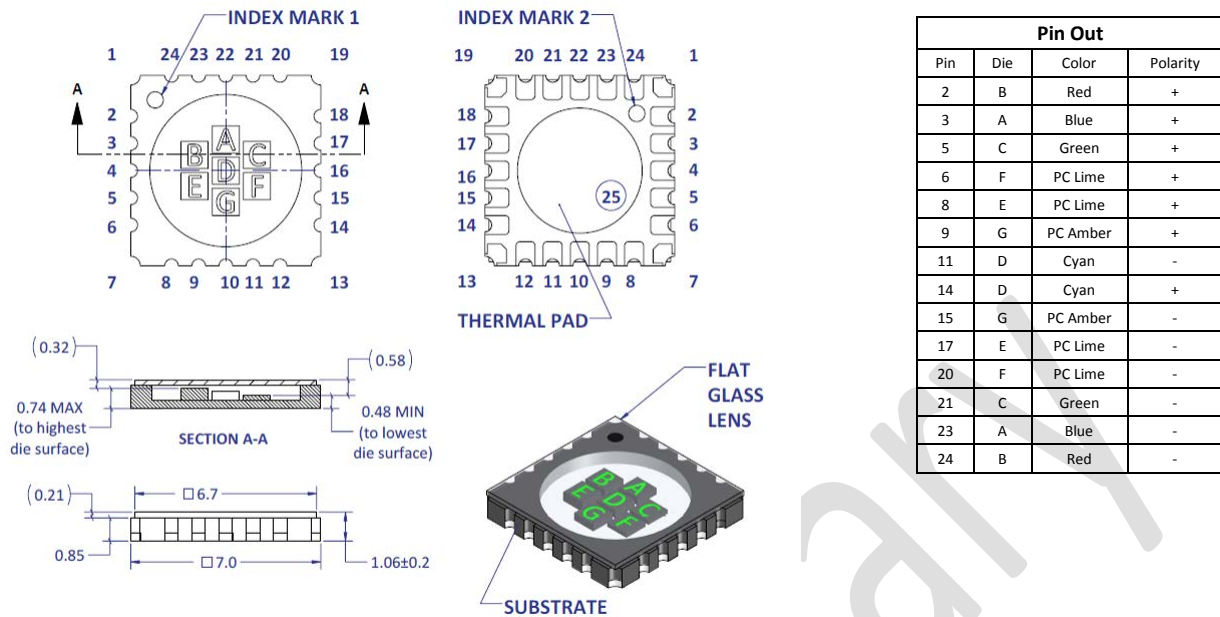


Figure 1: Package Outline Drawing

Notes for Figure 1:

1. Unless otherwise noted, the tolerance =  $\pm 0.20$  mm.
2. Thermal contact, Pad 25, is electrically neutral.
3. Temperature measurement point: side ceramic closest to the Ts point

## Recommended Solder Pad Layout (mm) – Pedestal MCPCB Design

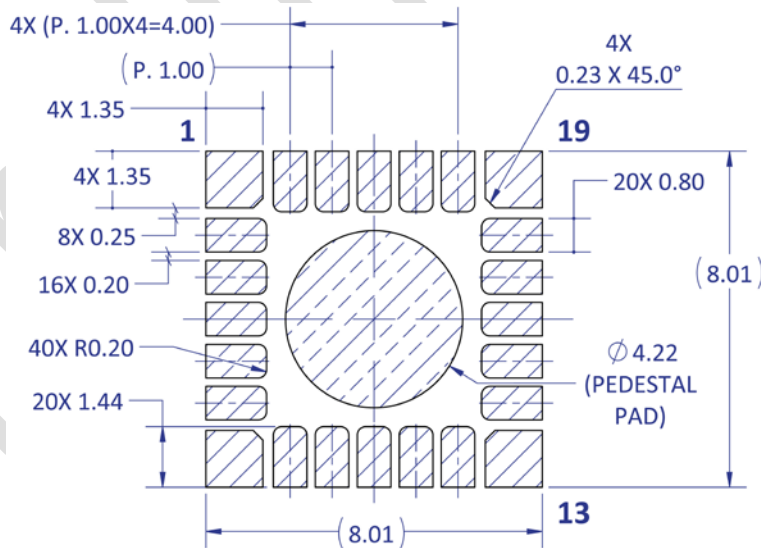


Figure 2a: Recommended solder pad layout for anode, cathode, and thermal pad for pedestal design

Note for Figure 2a:

1. Unless otherwise noted, the tolerance =  $\pm 0.20$  mm.
2. Pedestal MCPCB allows the emitter thermal slug to be soldered directly to the metal core of the MCPCB. Such MCPCB eliminate the high thermal resistance dielectric layer that standard MCPCB technologies use in between the emitter thermal slug and the metal core of the MCPCB, thus lowering the overall system thermal resistance.
3. LED Engin recommends x-ray sample monitoring for solder voids underneath the emitter thermal slug. The total area covered by solder voids should be less than 20% of the total emitter thermal slug area. Excessive solder voids will increase the emitter to MCPCB thermal resistance and may lead to higher failure rates due to thermal over stress.



## Recommended Solder Mask Layout (mm) – Pedestal MCPCB Design

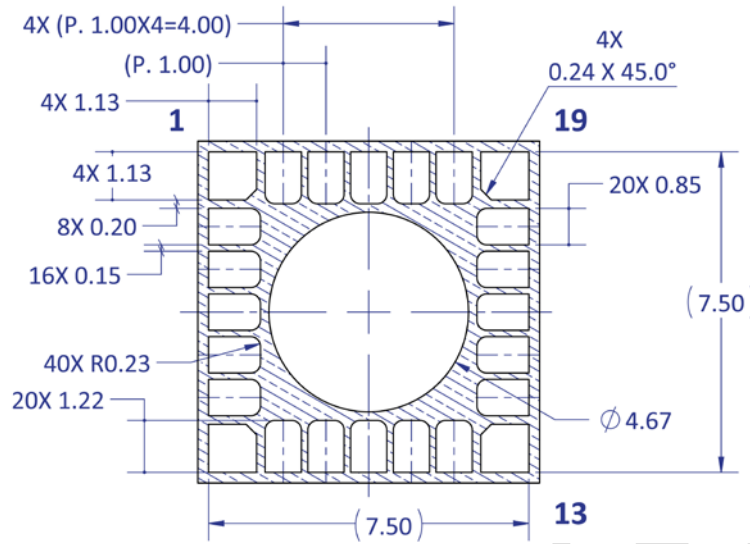


Figure 2b: Recommended solder mask opening for anode, cathode, and thermal pad for pedestal design

Note for Figure 2b:

1. Unless otherwise noted, the tolerance =  $\pm 0.20$  mm.

## Recommended 8 mil Stencil Apertures Layout (mm) – Pedestal MCPCB Design

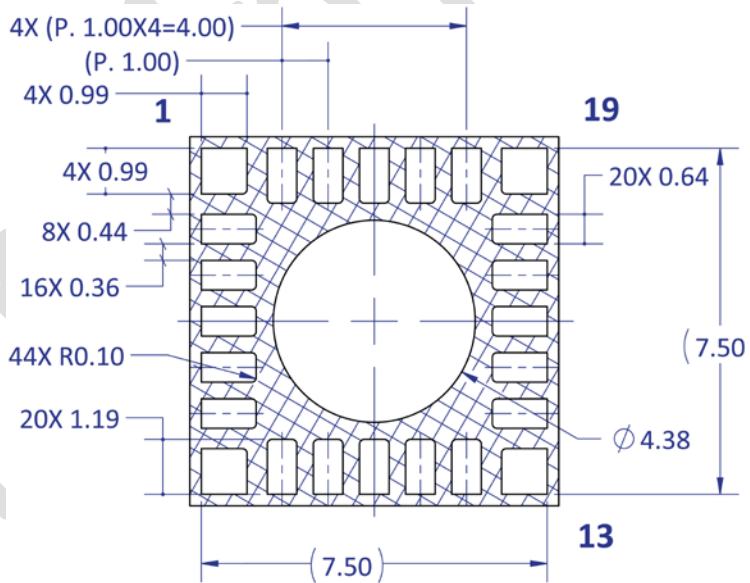


Figure 2c: Recommended 8mil stencil apertures layout for anode, cathode, and thermal pad for pedestal design

Note for Figure 2c:

1. Unless otherwise noted, the tolerance =  $\pm 0.20$  mm.

## Reflow Soldering Profile

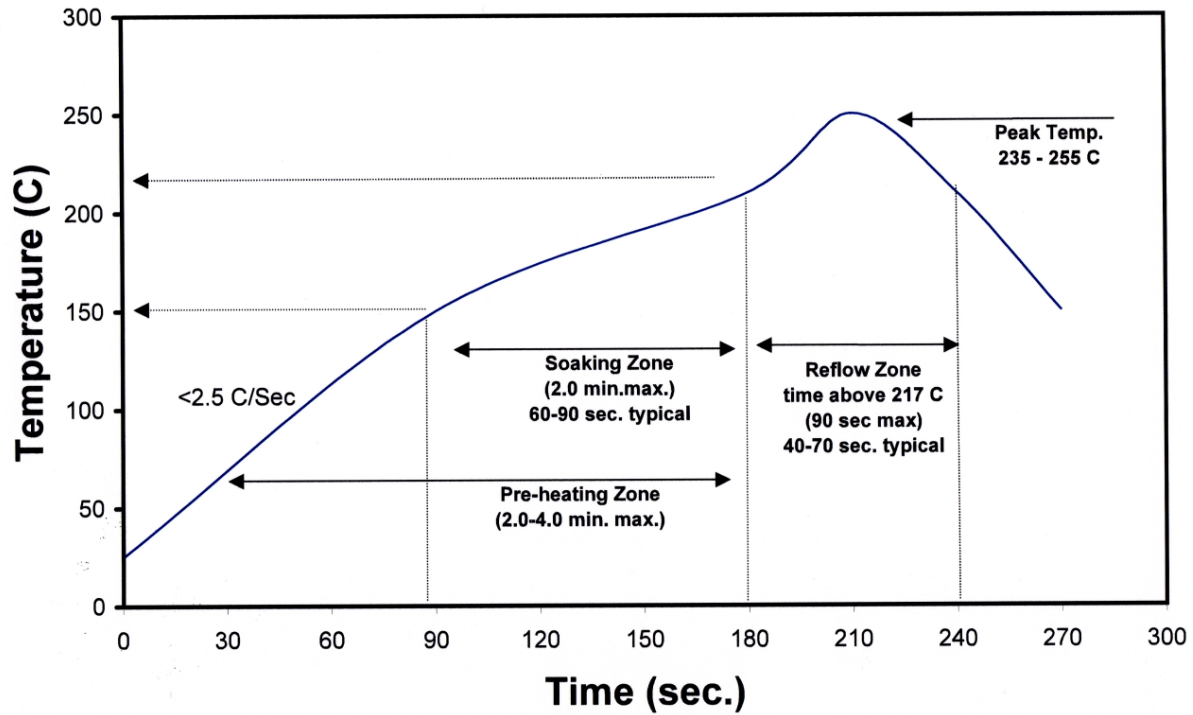


Figure 3: Reflow soldering profile for lead free soldering

## Typical Radiation Pattern

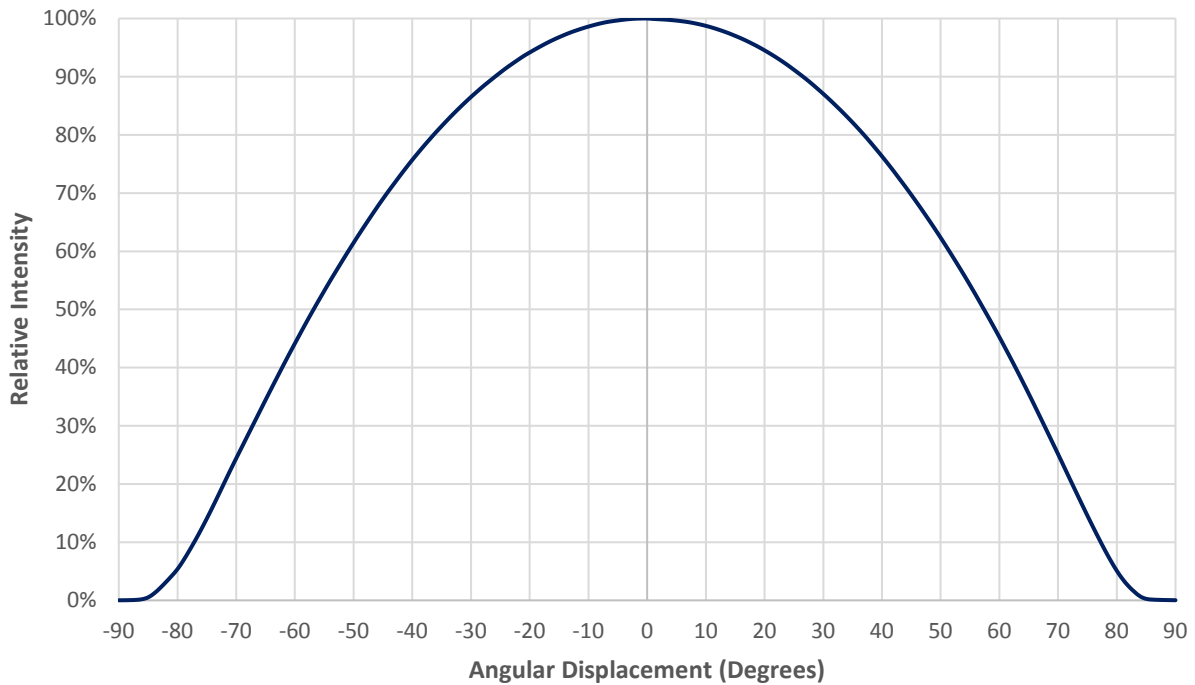


Figure 4: Typical representative spatial radiation pattern – all dies on

## Typical Relative Spectral Power Distribution

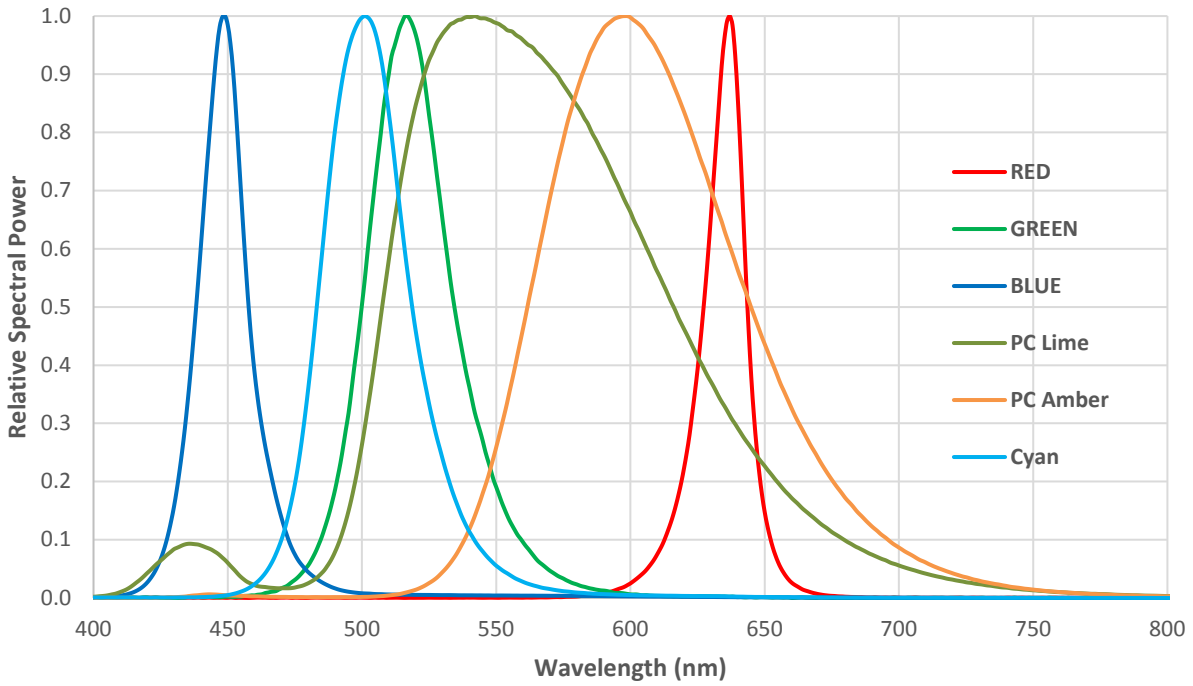


Figure 5: Typical relative spectral power vs. wavelength @  $T_c = 25^\circ\text{C}$ , 1000mA, pulse

## Typical Forward Current Characteristics

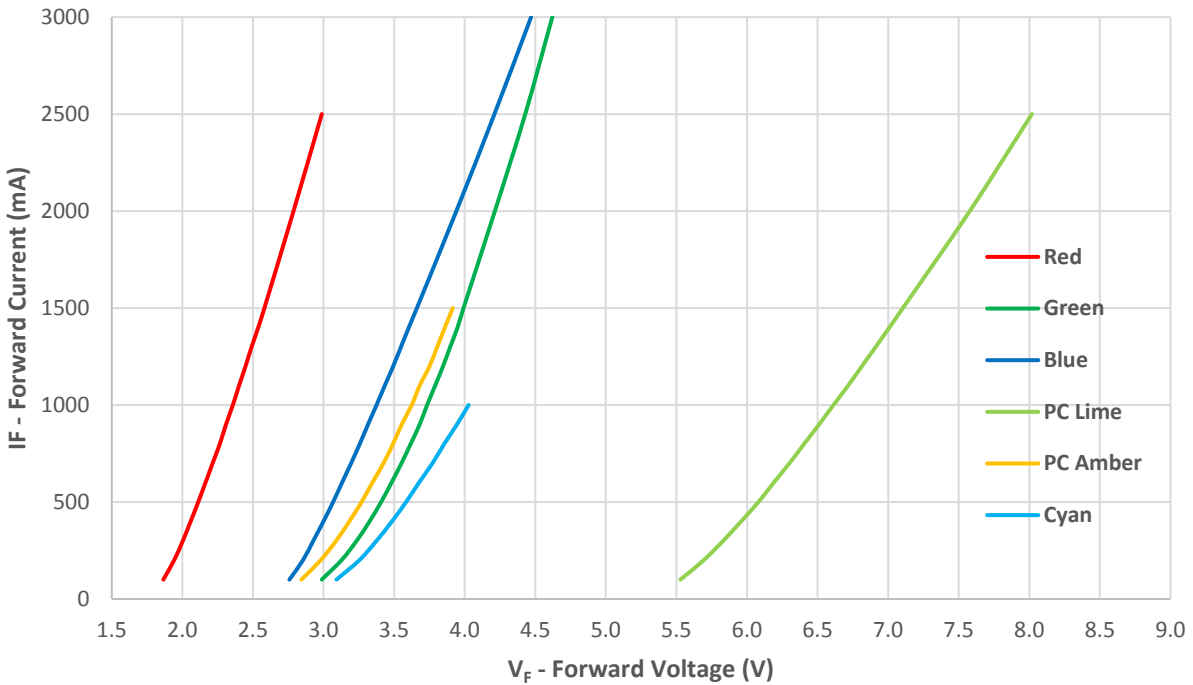


Figure 6: Typical forward current vs. forward voltage @  $T_c = 25^\circ\text{C}$ , pulse

Note: PC Lime curve represents forward voltage of 2 PC Lime dies connected in series

## Typical Relative Flux over Current

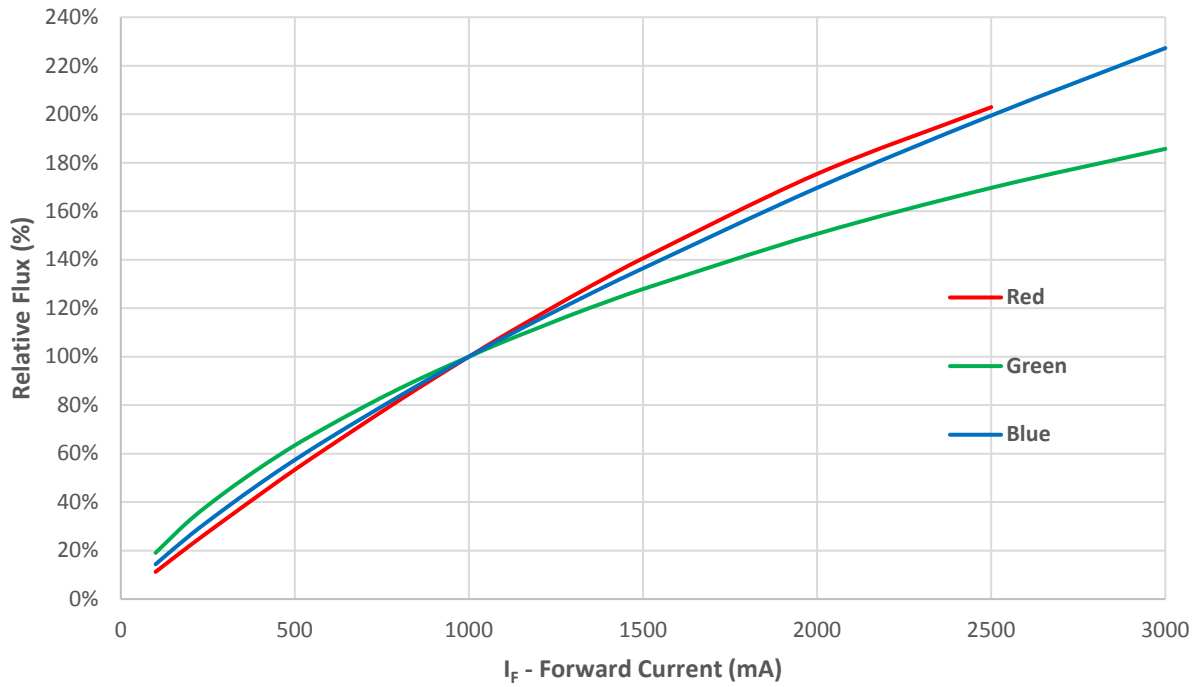


Figure 7a: Typical relative luminous flux vs. forward current @  $T_c = 25^\circ\text{C}$ , pulse – R, G, B

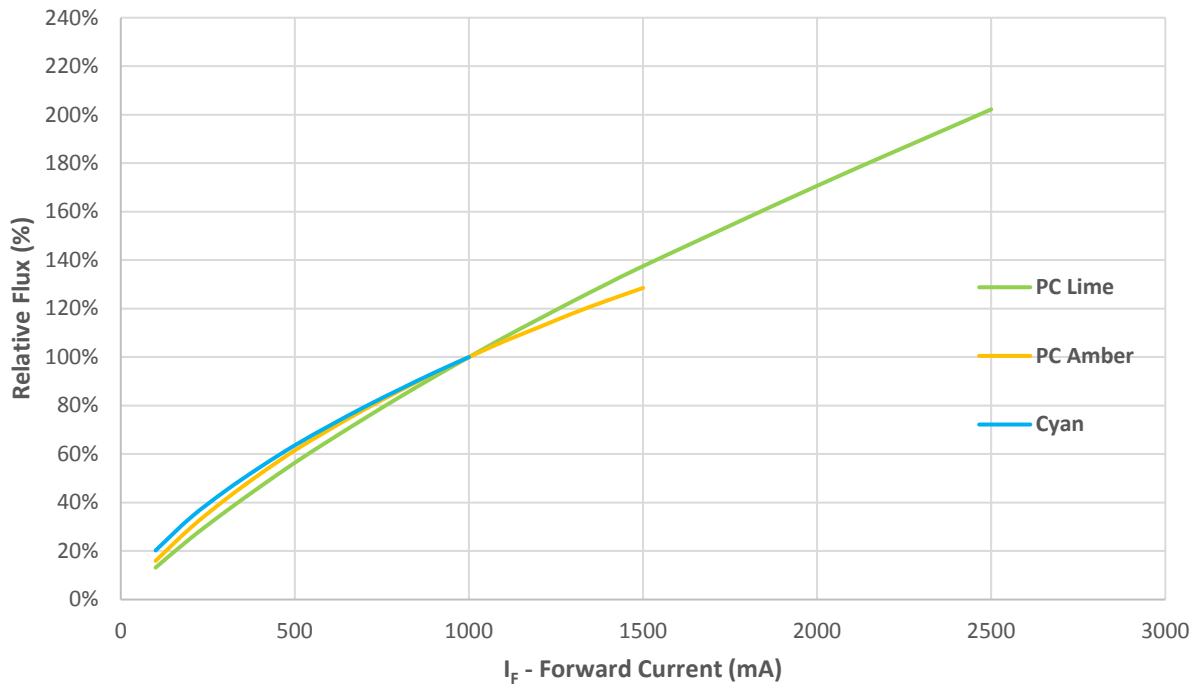


Figure 7b: Typical relative luminous flux vs. forward current @  $T_c = 25^\circ\text{C}$ , pulse – PCL, PCA, Cyan

## Typical Relative Flux over Temperature

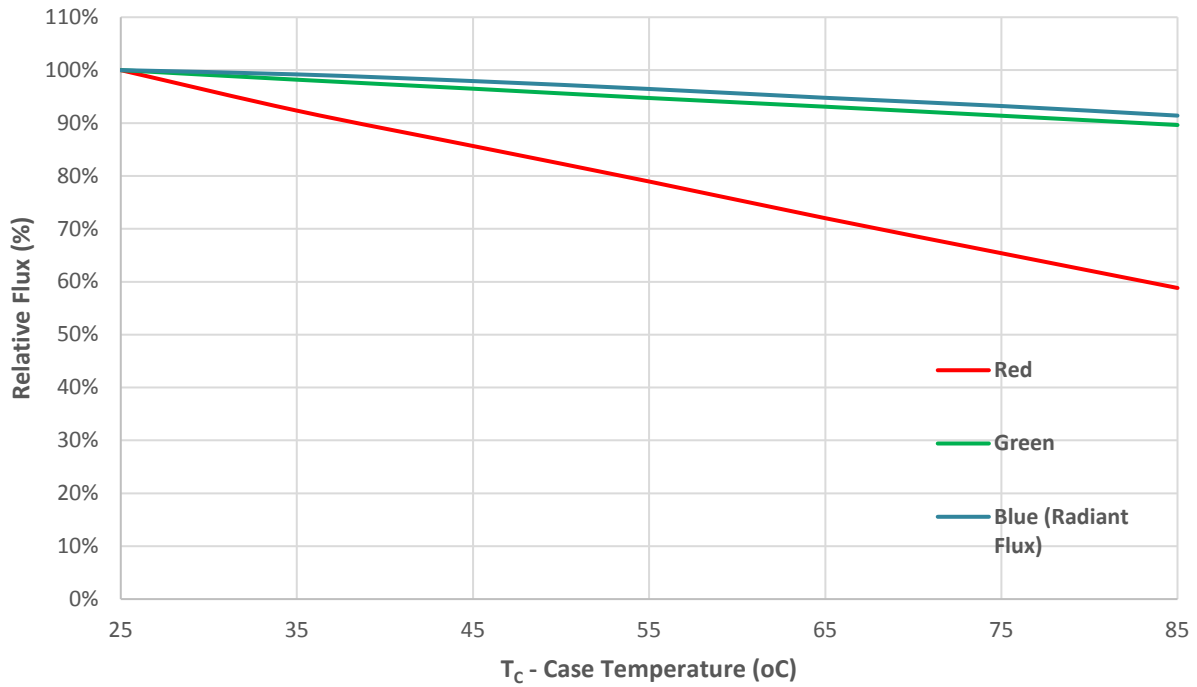


Figure 8a: Typical relative luminous flux vs. case temperature @1000mA, pulse – R, G, B

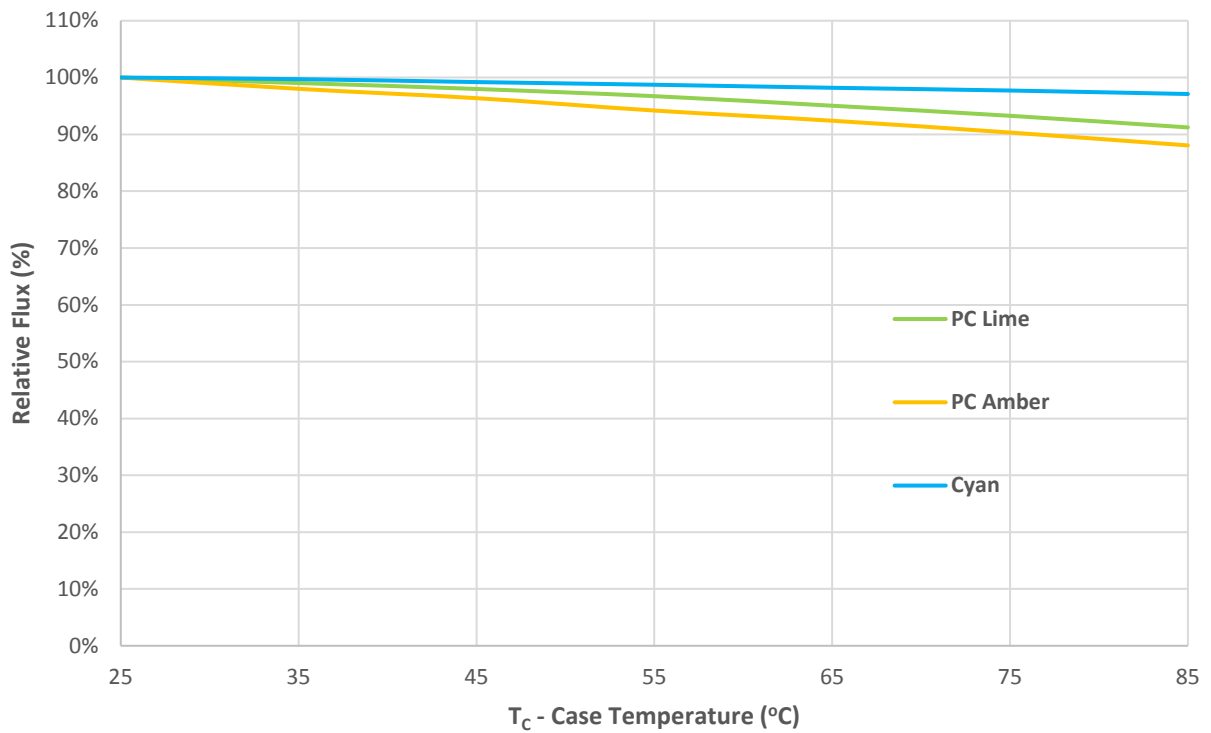


Figure 8b: Typical relative luminous flux vs. case temperature @ 1000mA, pulse – PCL, PCA, Cyan

### Typical Dominant Wavelength Shift over Current

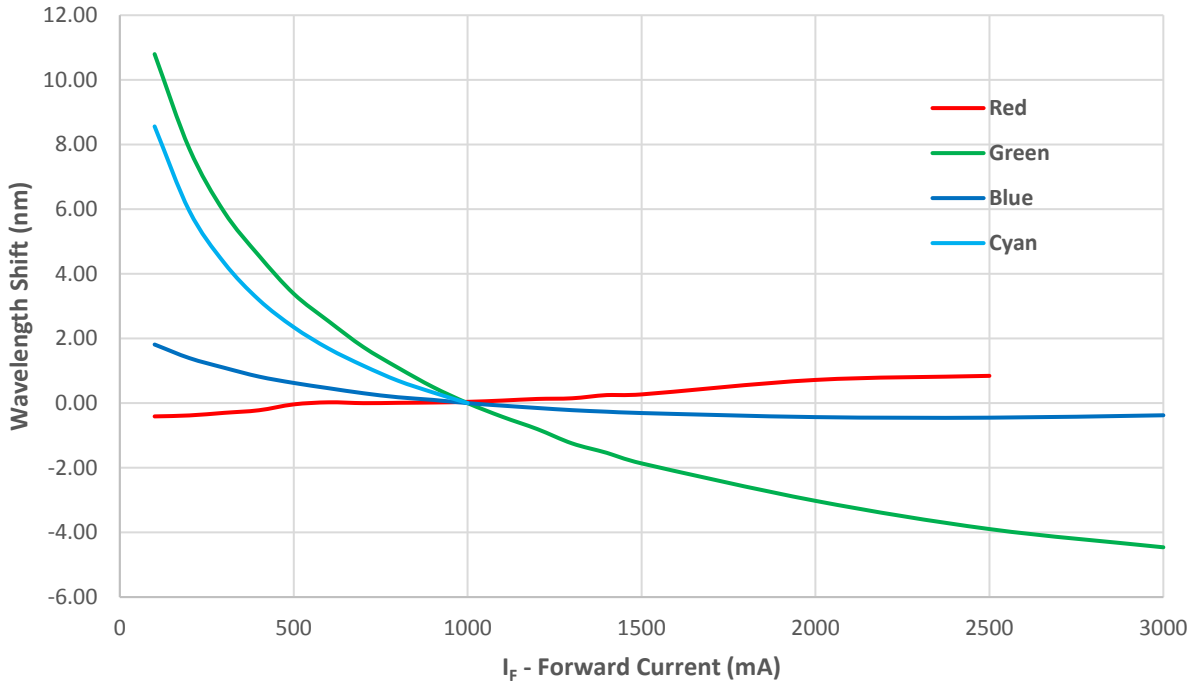


Figure 9a: Typical dominant wavelength shift vs. forward current @  $T_c = 25^\circ\text{C}$ , pulse – R, G, B, Cyan

### Typical Chromaticity Coordinate Shift over Current

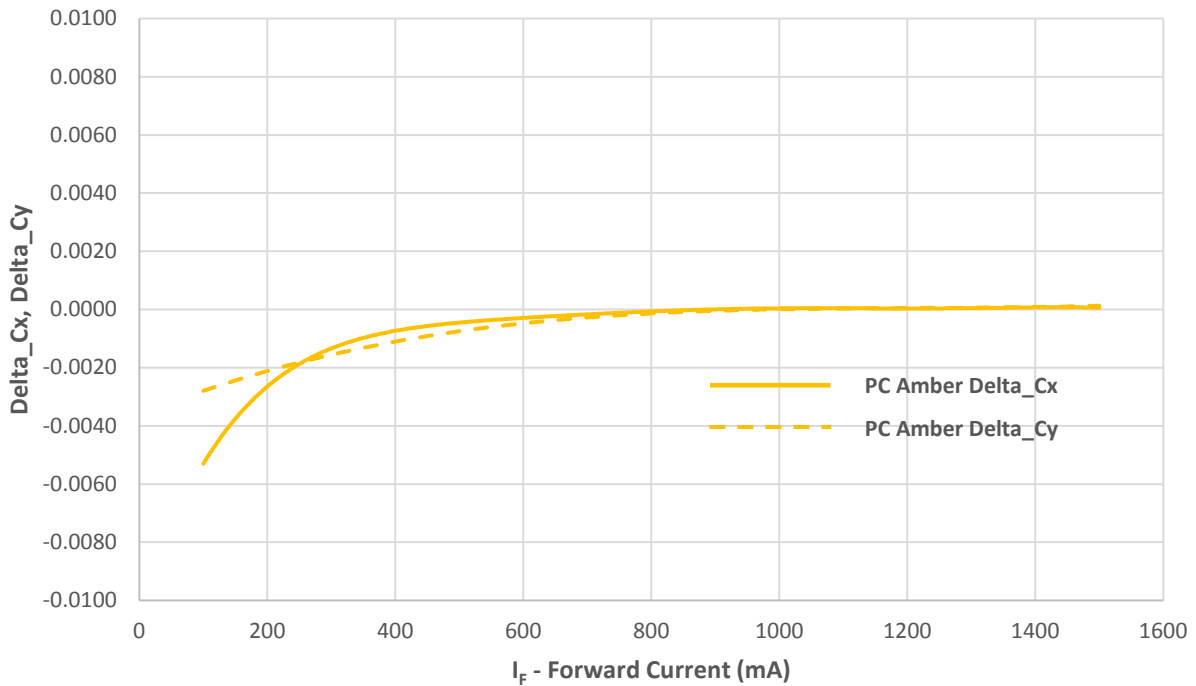


Figure 9b: Typical chromaticity coordinate shift vs. forward current @  $T_c = 25^\circ\text{C}$ , pulse – PC Amber

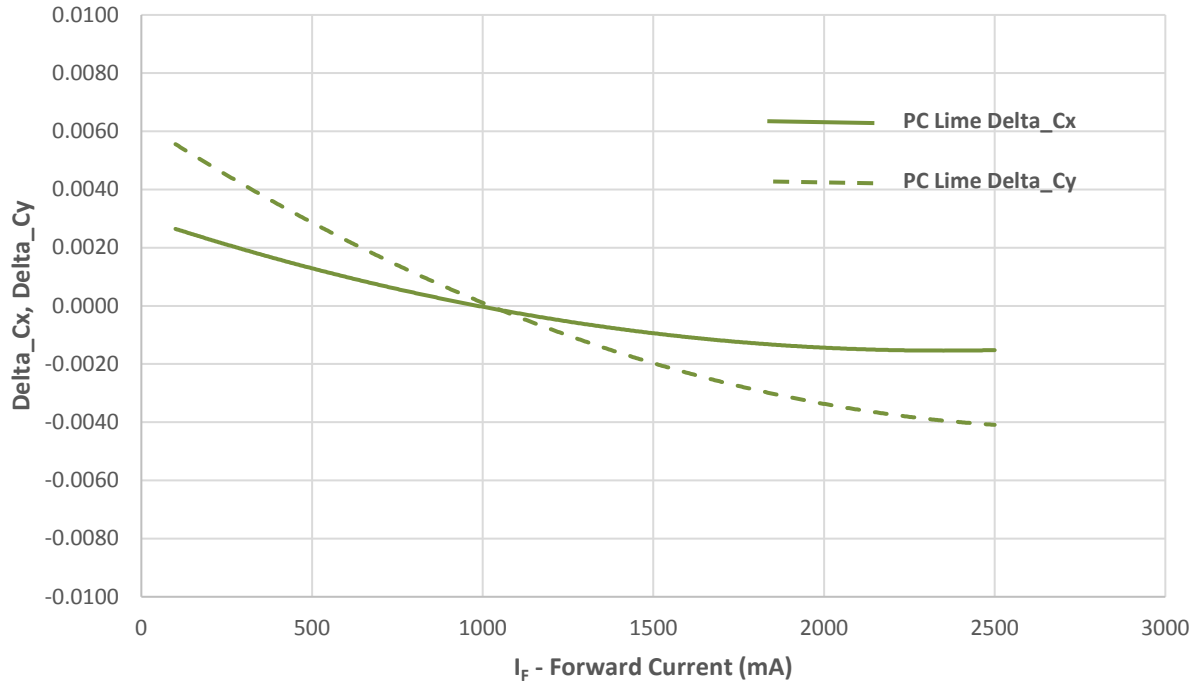


Figure 9c: Typical chromaticity coordinate shift vs. forward current @  $T_c = 25^\circ\text{C}$ , pulse – PC Lime

Preliminary

## Typical Dominant Wavelength Shift over Temperature

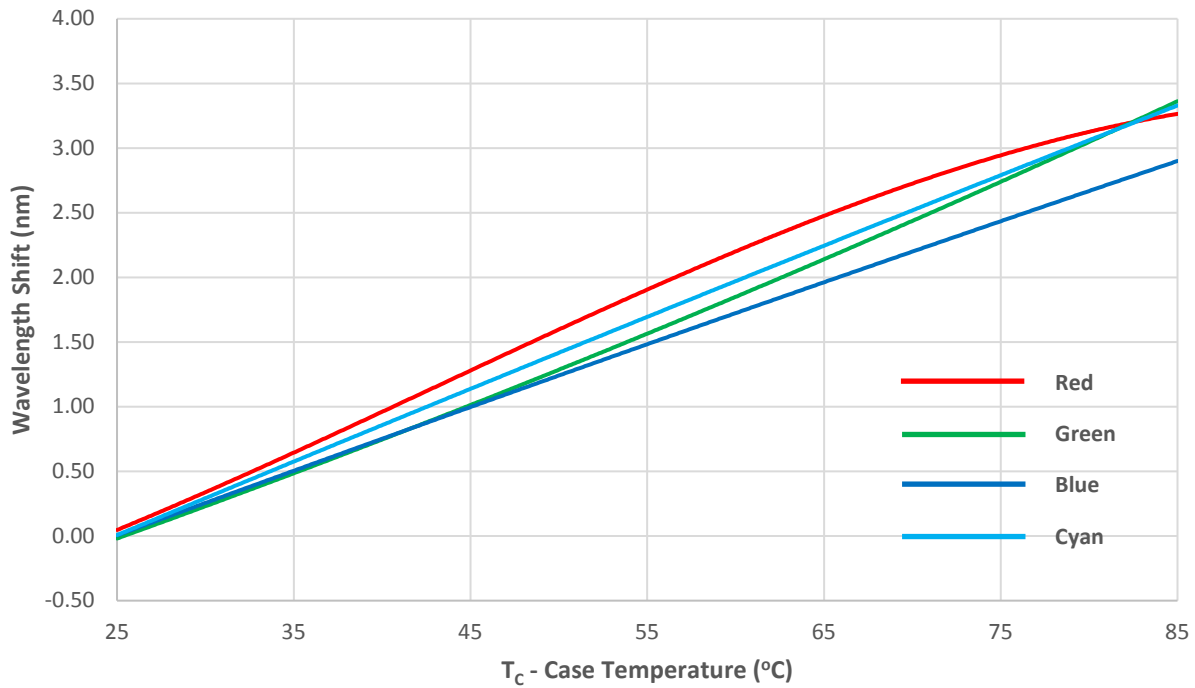


Figure 10a: Typical dominant wavelength shift vs. case temperature @ 1000mA, pulse – R, G, B, Cyan

## Typical Chromaticity Coordinate Shift over Temperature

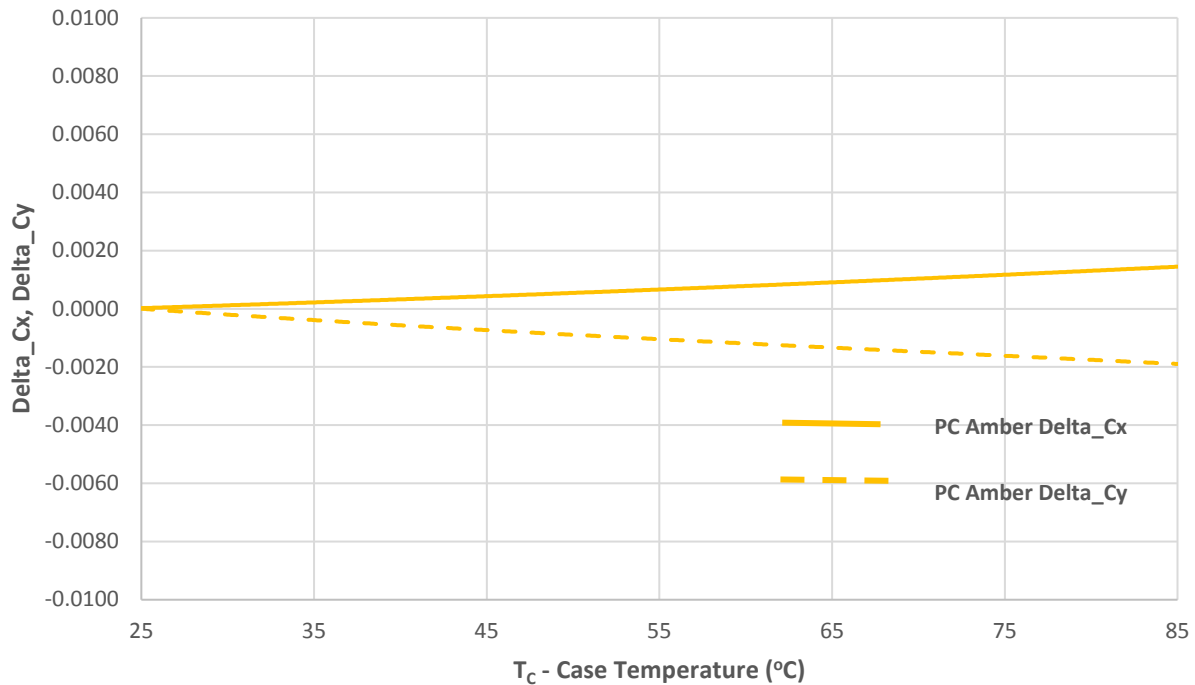


Figure 10b: Typical chromaticity coordinate shift vs. case temperature @1000mA, pulse – PC Amber



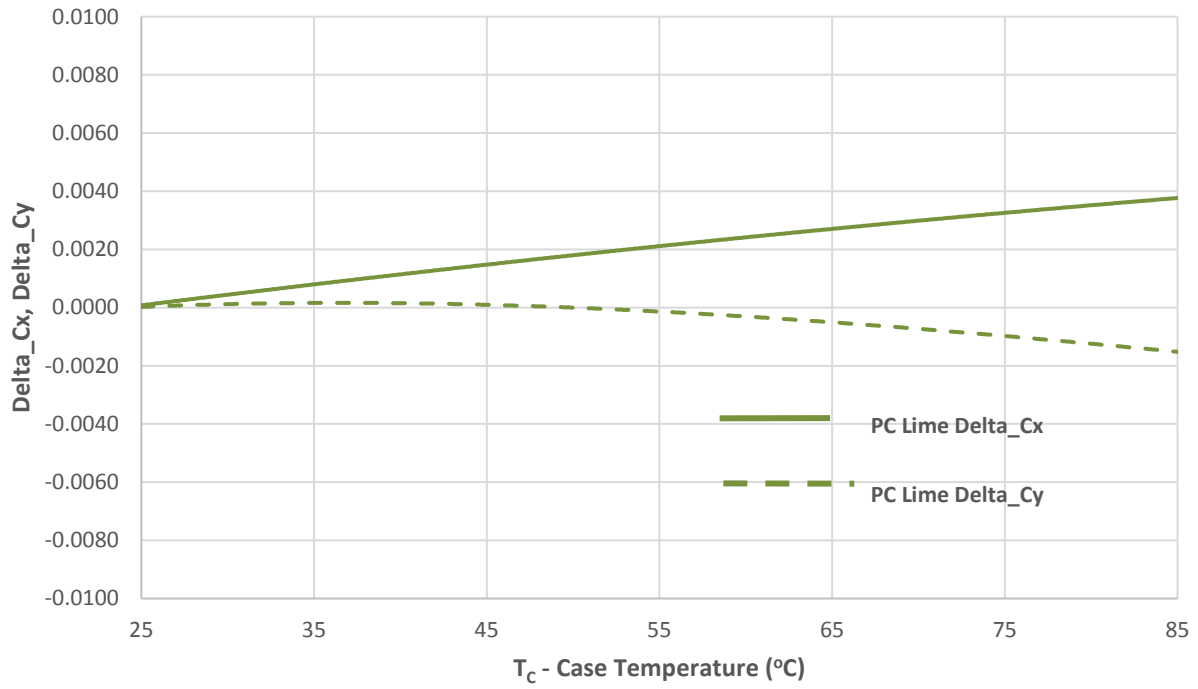


Figure 10c: Typical chromaticity coordinate shift vs. case temperature @ 1000mA, pulse – PC Lime

Preliminary

## Current De-rating [TBD]

Figure 11: Maximum forward current vs. ambient temperature

Notes for Figure 11:

1. Maximum current assumes that all 7 LED die are operating concurrently at the same current.
2.  $RO_{J-C}$  [Junction to Case Thermal Resistance] for LZ7-04M2PD is  $0.8^{\circ}\text{C}/\text{W}$ .
3.  $RO_{J-A}$  [Junction to Ambient Thermal Resistance] =  $RO_{J-C}$  +  $RO_{C-A}$  [Case to Ambient Thermal Resistance].

## Emitter Tape and Reel Specifications (mm)

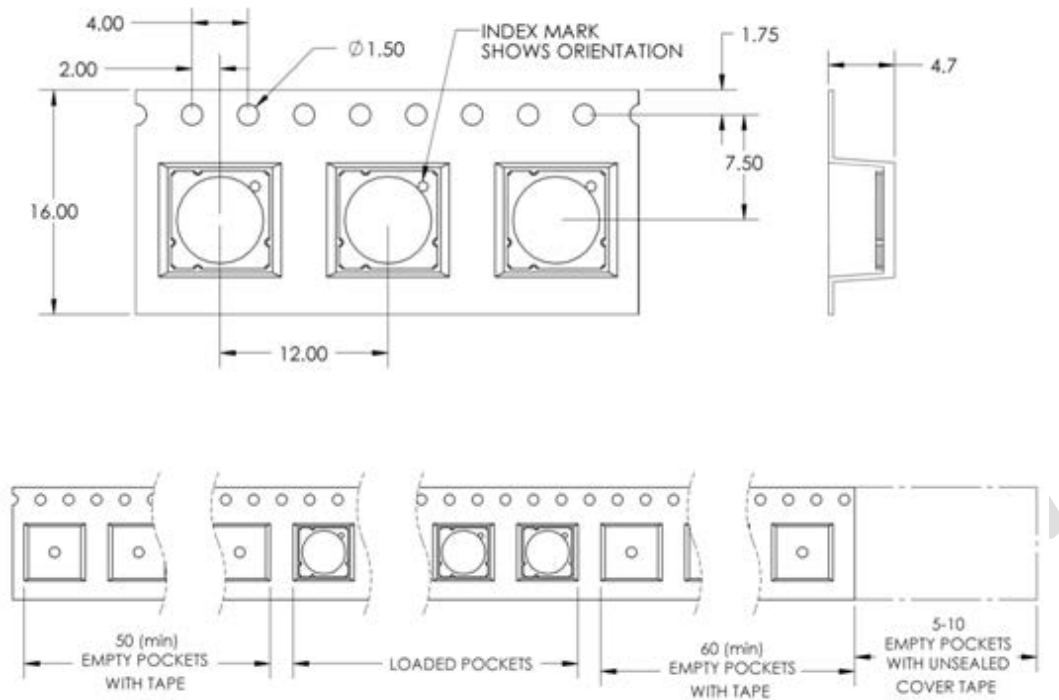


Figure 12: Emitter carrier tape specifications (mm).

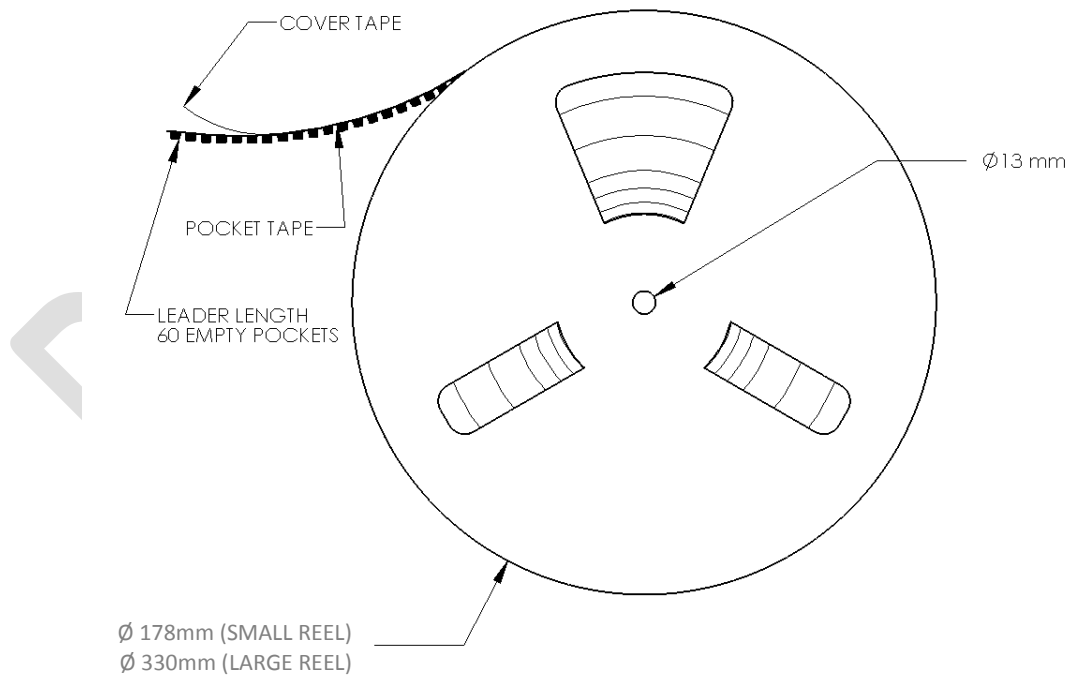


Figure 13: Emitter reel specifications (mm).

Notes for Figure 13:

1. Small reel quantity: up to 250 emitters
2. Large reel quantity: 250-2000 emitters.
3. Single flux bin and single wavelength bin per reel.

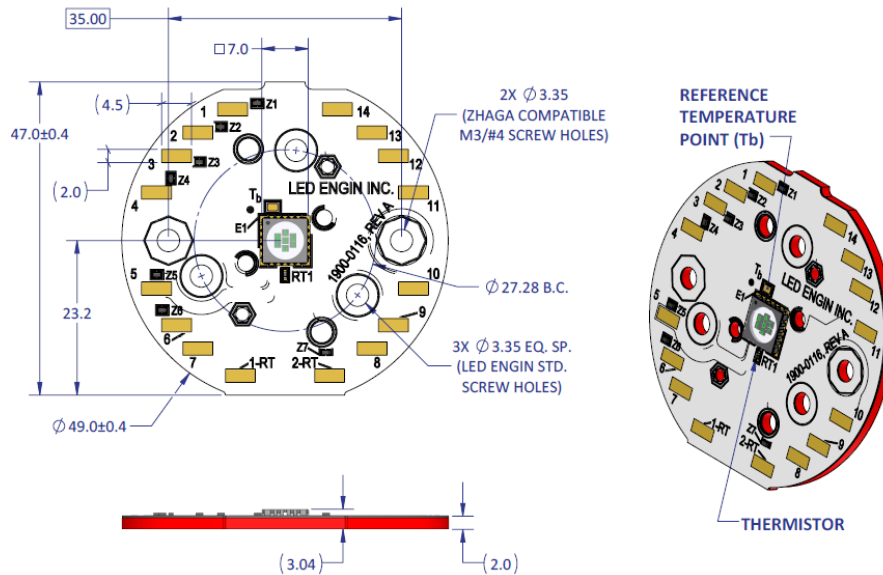
# LZ7 MCPCB Family

| Part number | Type of MCPCB | Dimension (mm) | Emitter + MCPCB Thermal Resistance (°C/W) | Typical V <sub>f</sub> (V) | Typical I <sub>f</sub> (mA) |
|-------------|---------------|----------------|---|----------------------------|-----------------------------|
| LZ7-Axxxxx  | 7-channel     | 38.3 x 31.2    | 0.8 + 0.1 = 0.9                           |                            | 1000                        |

Preliminary

# LZ7-Axxxxx

## 7 channel, MCPCB (7x1) Dimensions (mm)



### Notes:

- Unless otherwise noted, the tolerance =  $\pm 0.2$  mm.
- Standard screw refers to M3 or #4-40 screw.
- The thermal resistance of the MCPCB is: R $\theta$ C-B 0.1°C/W

## Components used

MCPCB: MHE-301 copper (Rayben)  
Thermistor: NCP15XH103F03RC (Murata)

| Pad layout |           |             |            |
|------------|-----------|-------------|------------|
| Ch.        | MCPCB Pad | Die/ Color  | Function   |
| 1          | 1         | B/ Red      | Anode +    |
|            | 14        |             | Cathode -  |
| 2          | 2         | A/ Blue     | Anode +    |
|            | 13        |             | Cathode -  |
| 3          | 3         | C/ Green    | Anode +    |
|            | 12        |             | Cathode -  |
| 4          | 4         | F/ PC Lime  | Anode +    |
|            | 11        |             | Cathode -  |
| 5          | 5         | E/ PC Lime  | Anode +    |
|            | 10        |             | Cathode -  |
| 6          | 6         | G/ PC Amber | Anode +    |
|            | 9         |             | Cathode -  |
| 7          | 7         | D/ Cyan     | Cathode -  |
|            | 8         |             | Anode +    |
| T          | 1-RT      | NTC         | 10kOhm NTC |
|            | 2-RT      |             |            |

## Application Guidelines

### MCPCB Assembly Recommendations

A good thermal design requires an efficient heat transfer from the MCPCB to the heat sink. In order to minimize air gaps in between the MCPCB and the heat sink, it is common practice to use thermal interface materials such as thermal pastes, thermal pads, phase change materials and thermal epoxies. Each material has its pros and cons depending on the design. Thermal interface materials are most efficient when the mating surfaces of the MCPCB and the heat sink are flat and smooth. Rough and uneven surfaces may cause gaps with higher thermal resistances, increasing the overall thermal resistance of this interface. It is critical that the thermal resistance of the interface is low, allowing for an efficient heat transfer to the heat sink and keeping MCPCB temperatures low.

When optimizing the thermal performance, attention must also be paid to the amount of stress that is applied on the MCPCB. Too much stress can cause the ceramic emitter to crack. To relax some of the stress, it is advisable to use plastic washers between the screw head and the MCPCB and to follow the torque range listed below. For applications where the heat sink temperature can be above 50°C, it is recommended to use high temperature and rigid plastic washers, such as polycarbonate or glass-filled nylon.

LED Engin recommends the use of the following thermal interface materials:

1. Bergquist's Gap Pad 5000S35, 0.020in thick
  - Part Number: Gap Pad® 5000S35 0.020in/0.508mm
  - Thickness: 0.020in/0.508mm
  - Thermal conductivity: 5 W/m-K
  - Continuous use max temperature: 200°C
  - Using M3 Screw (or #4 screw), with polycarbonate or glass-filled nylon washer (#4) the recommended torque range is: 20 to 25 oz-in (1.25 to 1.56 lbf-in or 0.14 to 0.18 N-m)
  
2. 3M's Acrylic Interface Pad 5590H
  - Part number: 5590H @ 0.5mm
  - Thickness: 0.020in/0.508mm
  - Thermal conductivity: 3 W/m-K
  - Continuous use max temperature: 100°C
  - Using M3 Screw (or #4 screw), with polycarbonate or glass-filled nylon washer (#4) the recommended torque range is: 20 to 25 oz-in (1.25 to 1.56 lbf-in or 0.14 to 0.18 N-m)

### Mechanical Mounting Considerations

The mounting of MCPCB assembly is a critical process step. Excessive mechanical stress build up in the MCPCB can cause the MCPCB to warp which can lead to emitter substrate cracking and subsequent cracking of the LED dies

LED Engin recommends the following steps to avoid mechanical stress build up in the MCPCB:

- Inspect MCPCB and heat sink for flatness and smoothness.
- Select appropriate torque for mounting screws. Screw torque depends on the MCPCB mounting method (thermal interface materials, screws, and washer).
- Always use three M3 or #4-40 screws with #4 washers.
- When fastening the three screws, it is recommended to tighten the screws in multiple small steps. This method avoids building stress by tilting the MCPCB when one screw is tightened in a single step.
- Always use plastic washers in combinations with the three screws. This avoids high point contact stress on the screw head to MCPCB interface, in case the screw is not seated perpendicular.
- In designs with non-tapped holes using self-tapping screws, it is common practice to follow a method of three turns tapping a hole clockwise, followed by half a turn anti-clockwise, until the appropriate torque is reached.

## Wire Soldering

- To ease soldering wire to MCPCB process, it is advised to preheat the MCPCB on a hot plate of 125-150°C. Subsequently, apply the solder and additional heat from the solder iron will initiate a good solder reflow. It is recommended to use a solder iron of more than 60W.
- It is advised to use lead-free, no-clean solder. For example: SN-96.5 AG-3.0 CU 0.5 #58/275 from Kester (pn: 24-7068-7601)

Preliminary

## About LED Engin

LED Engin, an OSRAM business based in California's Silicon Valley, develops, manufactures, and sells advanced LED emitters, optics and light engines to create uncompromised lighting experiences for a wide range of entertainment, architectural, general lighting and specialty applications. LuxiGen™ multi-die emitter and secondary lens combinations reliably deliver industry-leading flux density, upwards of 5000 quality lumens to a target, in a wide spectrum of colors including whites, tunable whites, multi-color and UV LEDs in a unique patented compact ceramic package. Our LuxiTune™ series of tunable white lighting modules leverage our LuxiGen emitters and lenses to deliver quality, control, freedom and high density tunable white light solutions for a broad range of new recessed and downlighting applications. The small size, yet remarkably powerful beam output and superior in-source color mixing, allows for a previously unobtainable freedom of design wherever high-flux density, directional light is required. LED Engin is committed to providing products that conserve natural resources and reduce greenhouse emissions; and reserves the right to make changes to improve performance without notice.

For more information, please contact [sales@ledengin.com](mailto:sales@ledengin.com) or +1 408 922-7200.

Preliminary



Компания «Океан Электроники» предлагает заключение долгосрочных отношений при поставках импортных электронных компонентов на взаимовыгодных условиях!

Наши преимущества:

- Поставка оригинальных импортных электронных компонентов напрямую с производств Америки, Европы и Азии, а так же с крупнейших складов мира;
- Широкая линейка поставок активных и пассивных импортных электронных компонентов (более 30 млн. наименований);
- Поставка сложных, дефицитных, либо снятых с производства позиций;
- Оперативные сроки поставки под заказ (от 5 рабочих дней);
- Экспресс доставка в любую точку России;
- Помощь Конструкторского Отдела и консультации квалифицированных инженеров;
- Техническая поддержка проекта, помощь в подборе аналогов, поставка прототипов;
- Поставка электронных компонентов под контролем ВП;
- Система менеджмента качества сертифицирована по Международному стандарту ISO 9001;
- При необходимости вся продукция военного и аэрокосмического назначения проходит испытания и сертификацию в лаборатории (по согласованию с заказчиком);
- Поставка специализированных компонентов военного и аэрокосмического уровня качества (Xilinx, Altera, Analog Devices, Intersil, Interpoint, Microsemi, Actel, Aeroflex, Peregrine, VPT, Syfer, Eurofarad, Texas Instruments, MS Kennedy, Miteq, Cobham, E2V, MA-COM, Hittite, Mini-Circuits, General Dynamics и др.);

Компания «Океан Электроники» является официальным дистрибьютором и эксклюзивным представителем в России одного из крупнейших производителей разъемов военного и аэрокосмического назначения «JONHON», а так же официальным дистрибьютором и эксклюзивным представителем в России производителя высокотехнологичных и надежных решений для передачи СВЧ сигналов «FORSTAR».



## JONHON

«JONHON» (основан в 1970 г.)

Разъемы специального, военного и аэрокосмического назначения:

(Применяются в военной, авиационной, аэрокосмической, морской, железнодорожной, горно- и нефтедобывающей отраслях промышленности)

«FORSTAR» (основан в 1998 г.)

ВЧ соединители, коаксиальные кабели, кабельные сборки и микроволновые компоненты:

(Применяются в телекоммуникациях гражданского и специального назначения, в средствах связи, РЛС, а так же военной, авиационной и аэрокосмической отраслях промышленности).



Телефон: 8 (812) 309-75-97 (многоканальный)

Факс: 8 (812) 320-03-32

Электронная почта: [ocean@oceanchips.ru](mailto:ocean@oceanchips.ru)

Web: <http://oceanchips.ru/>

Адрес: 198099, г. Санкт-Петербург, ул. Калинина, д. 2, корп. 4, лит. А