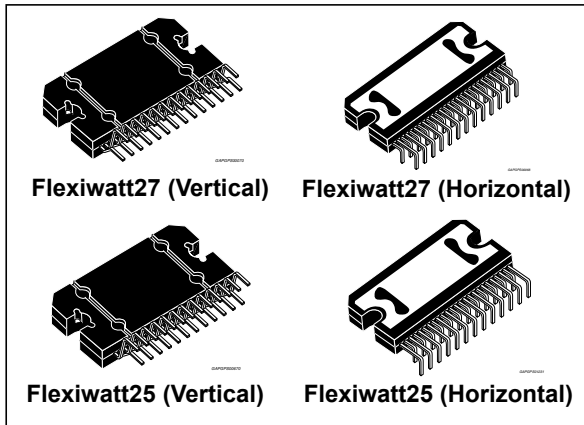


4 x 50 W MOSFET quad bridge power amplifier

Datasheet - production data



- Internally fixed gain (26 dB)
- Protections:
 - Output short circuit to GND, to Vs, across the load
 - Very inductive loads
 - Overrating chip temperature with soft thermal limiter
 - Output DC offset detection
 - Load dump
 - Fortuitous open GND
 - Reversed battery
 - ESD
 - Capable to operate down to 6 V (e.g. “Startstop”)

Features

- Multipower BCD technology
- High output power capability:
 - 4 x 50 W/4 Ω Max.
 - 4 x 28 W/4 Ω @ 14.4 V, 1 kHz, 10 %
 - 4 x 72 W/2 Ω Max.
- MOSFET output power stage
- 2 Ω driving capability
- Hi-Fi class distortion
- Low output noise
- High immunity to RF noise injection
- Standby function
- Mute function
- Automute at min. supply voltage detection
- Low external component count

Description

The STPA001 is a breakthrough MOSFET technology class AB audio power amplifier designed for high power car radio. The fully complementary P-Channel/N-Channel output structure allows a rail to rail output voltage swing which, combined with high output current and minimized saturation losses sets new power references in the car-radio field, with unparalleled distortion performances.

The STPA001 can operate down to 6 V and this makes the IC compliant to the most recent OEM specifications for low voltage operation (so called 'start-stop' battery profile during engine stop), helping car manufacturers to reduce the overall emissions and thus contributing to environment protection.

Table 1. Device summary

| Order code | Package | Packing |
|------------|--------------------------|---------|
| STPA001 | Flexiwatt25 (Vertical) | Tube |
| STPA001H | Flexiwatt25 (Horizontal) | Tube |
| STPA001A | Flexiwatt27 (Vertical) | Tube |
| STPA001AH | Flexiwatt27 (Horizontal) | Tube |

Contents

- 1 Overview 5**
 - 1.1 Block diagram and application circuit 5
- 2 Pin description 7**
 - 2.1 Pin connection 7
 - 2.2 Pin functions 8
- 3 Electrical specifications 9**
 - 3.1 Absolute maximum ratings 9
 - 3.2 Thermal data 9
 - 3.3 Electrical characteristics 10
 - 3.4 Electrical characteristics curves 12
- 4 General information 15**
 - 4.1 Operation 15
 - 4.2 Battery variations 15
 - 4.2.1 Low voltage operation 15
 - 4.2.2 Cranks 16
 - 4.2.3 Advanced battery management (hybrid vehicles) 17
 - 4.3 Protections 18
 - 4.3.1 Short circuits and open circuit operation 18
 - 4.3.2 Over-voltage and load dump protection 18
 - 4.3.3 Thermal protection 18
 - 4.4 Warnings 19
 - 4.4.1 DC offset detection (OD pin) 19
 - 4.4.2 Clipping detection and diagnostics (CD-DIAG pin) 19
 - 4.5 Heat sink definition 20
- 5 Package information 21**
- 6 Revision history 25**

List of tables

| | | |
|----------|--------------------------------------|----|
| Table 1. | Device summary | 1 |
| Table 2. | Pin functions | 8 |
| Table 3. | Absolute maximum ratings | 9 |
| Table 4. | Thermal data | 9 |
| Table 5. | Electrical characteristics | 10 |
| Table 6. | Document revision history | 25 |

List of figures

| | | |
|------------|--|----|
| Figure 1. | Block diagram | 5 |
| Figure 2. | Application circuit (STPA001) | 6 |
| Figure 3. | Application circuit (STPA001A & STPA001H) | 6 |
| Figure 4. | Pin connection (top view) | 7 |
| Figure 5. | Quiescent current vs. supply voltage | 12 |
| Figure 6. | Output power vs. supply voltage (4 Ω) | 12 |
| Figure 7. | Output power vs. supply voltage (2 Ω) | 12 |
| Figure 8. | Distortion vs. output power (4 Ω) | 12 |
| Figure 9. | Distortion vs. frequency (4 Ω) | 12 |
| Figure 10. | Distortion vs. output power (4 Ω , $V_s = 6$ V) | 12 |
| Figure 11. | Distortion vs. output power (2 Ω) | 13 |
| Figure 12. | Distortion vs. frequency (2 Ω) | 13 |
| Figure 13. | Distortion vs. output power (2 Ω , $V_s = 6$ V) | 13 |
| Figure 14. | Supply voltage rejection vs. frequency | 13 |
| Figure 15. | Crosstalk vs. frequency | 13 |
| Figure 16. | Total power dissipation & efficiency vs. P_o (4 Ω , Sine) | 13 |
| Figure 17. | Power dissipation vs. average output power (4 Ω , audio program simulation) | 14 |
| Figure 18. | Power dissipation vs. average output power (2 Ω , audio program simulation) | 14 |
| Figure 19. | ITU R-ARM frequency response, weighting filter for transient pop | 14 |
| Figure 20. | SVR charge diagram | 15 |
| Figure 21. | Battery cranking curve example 1 | 16 |
| Figure 22. | Battery cranking curve example 2 | 16 |
| Figure 23. | Upwards fast battery transitions diagram | 17 |
| Figure 24. | Load dump protection diagram | 18 |
| Figure 25. | Thermal protection diagram | 18 |
| Figure 26. | Audio section waveforms | 19 |
| Figure 27. | Flexiwatt27 (vertical) mechanical data and package dimensions | 21 |
| Figure 28. | Flexiwatt27 (horizontal) mechanical data and package dimensions | 22 |
| Figure 29. | Flexiwatt25 vertical mechanical data and package dimensions | 23 |
| Figure 30. | Flexiwatt25 (horizontal) mechanical data and package dimensions | 24 |

1 Overview

The STPA001 is a complementary quad audio power amplifier. It is available in three different packages, Flexiwatt25 (vertical), Flexiwatt25 (horizontal) and Flexiwatt27. It embeds four independent amplifiers working in class AB, a standby and a mute pin, a clipping detector and diagnostics output and, only for the Flexiwatt27 package, an offset detector pin. The amplifier is fully operational down to a battery voltage of 6 V, without producing pop noise and continuing to play during battery transitions.

The STPA001 can drive 2 Ω loads and has a very high immunity to disturbs without need of external components or compensation. It is protected against any kind of short or open circuit, over-voltage and over-temperature.

1.1 Block diagram and application circuit

Figure 1. Block diagram

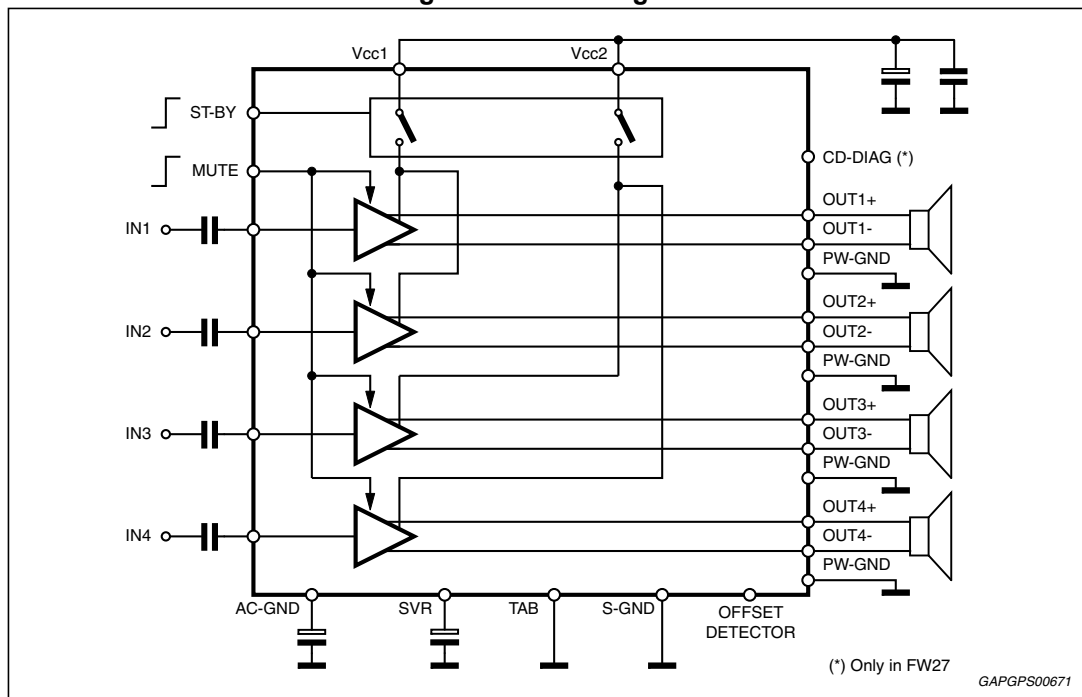
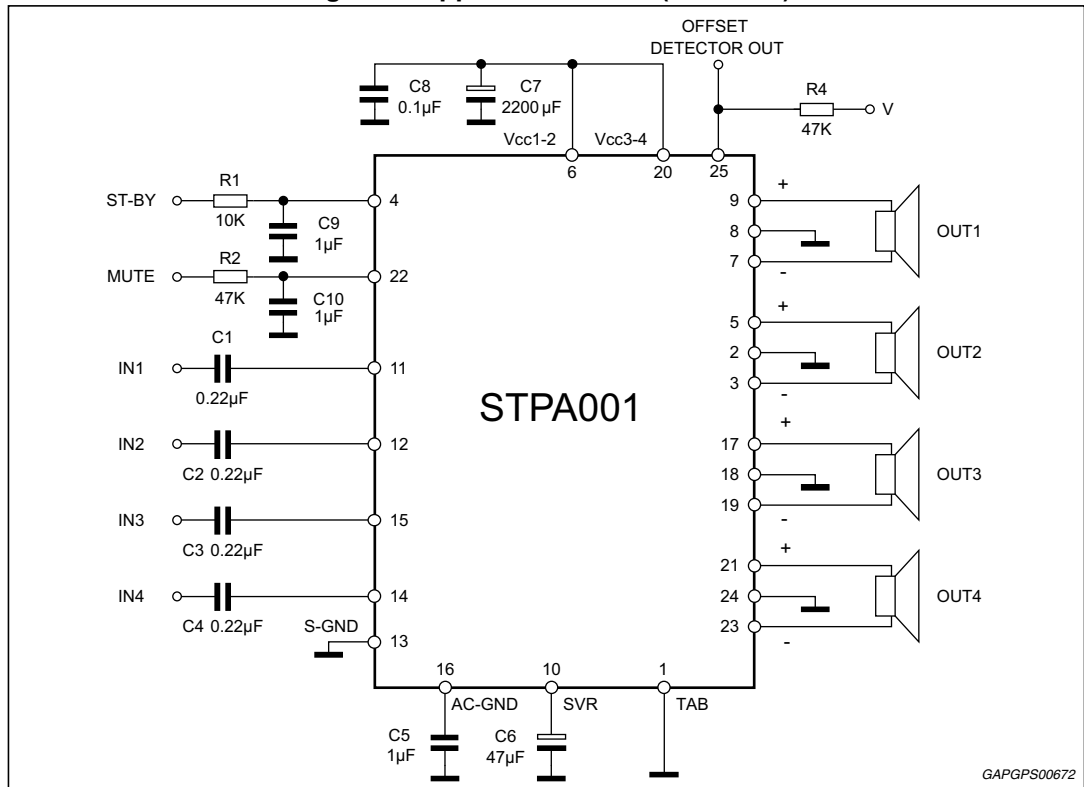
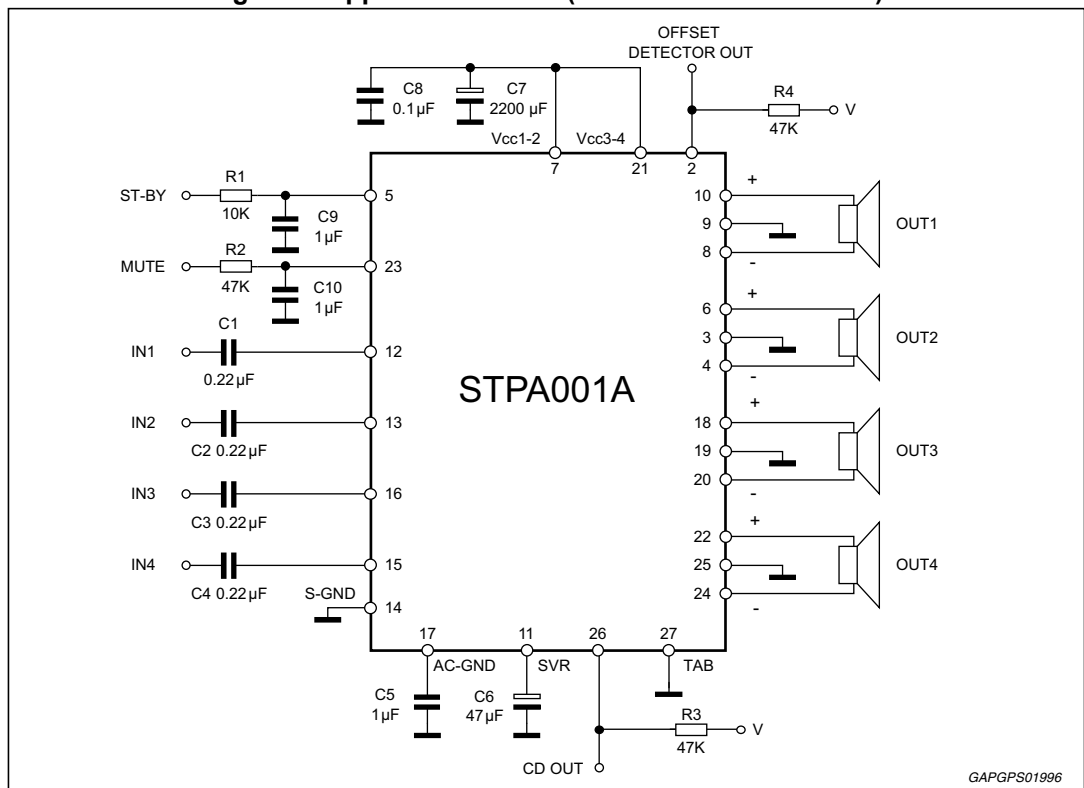


Figure 2. Application circuit (STPA001)



GAPGPS00672

Figure 3. Application circuit (STPA001A & STPA001H)

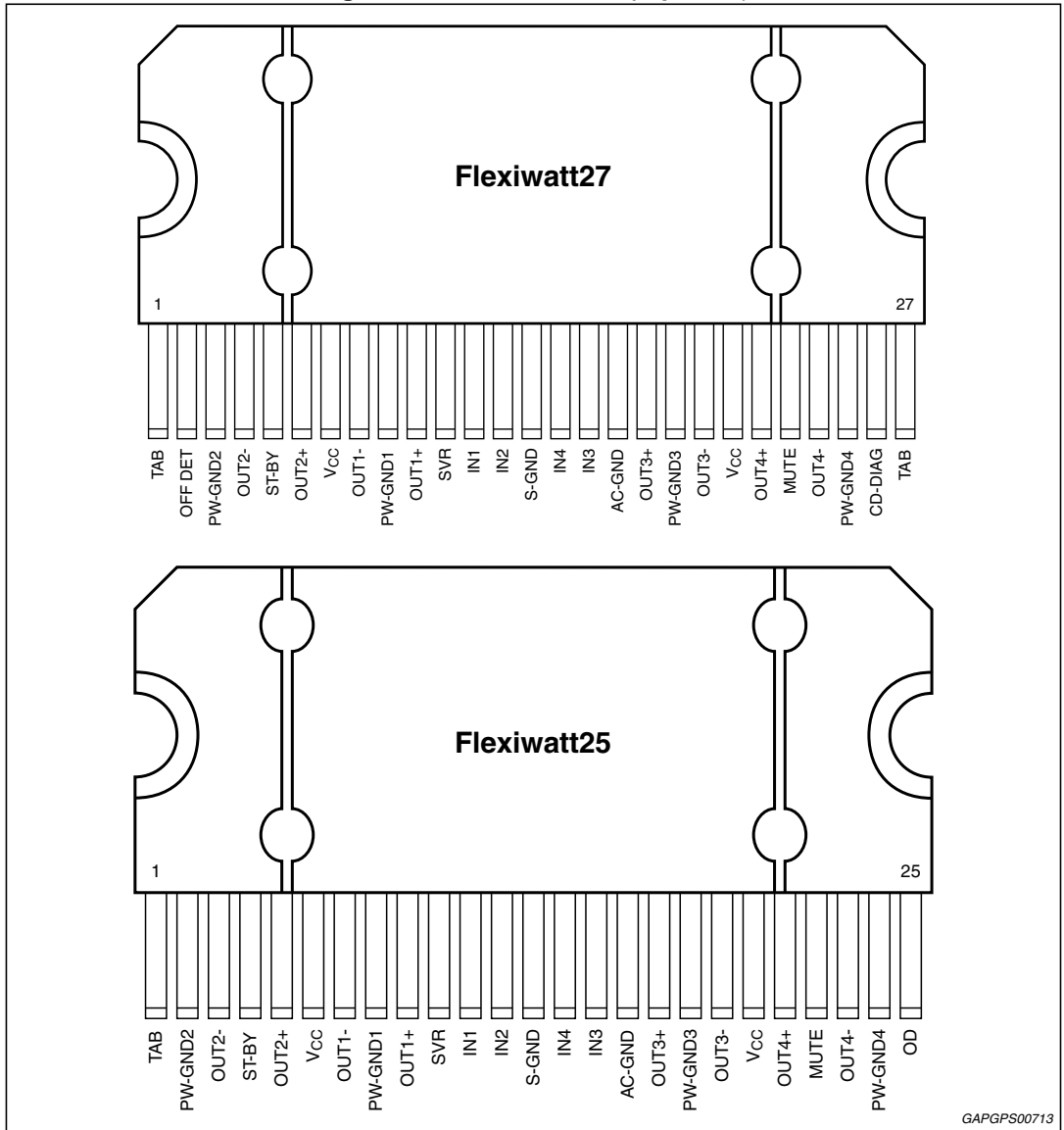


GAPGPS01996

2 Pin description

2.1 Pin connection

Figure 4. Pin connection (top view)



GAPGPS00713

2.2 Pin functions

Table 2. Pin functions

| Pin number FW27 | Pin number FW25 | Pin name | Description |
|-----------------|-----------------|----------|--|
| 1 | 1 | TAB | - |
| 2 | 25 | OD | Offset detector output |
| 3 | 2 | PW-GND2 | Channel 2, output power ground |
| 4 | 3 | OUT2- | Channel 2, negative output |
| 5 | 4 | ST-BY | Stand-by |
| 6 | 5 | OUT2+ | Channel 2, positive output |
| 7 | 6 | VCC | Supply voltage |
| 8 | 7 | OUT1- | Channel 1, negative output |
| 9 | 8 | PW-GND1 | Channel 1, output power ground |
| 10 | 9 | OUT1+ | Channel 1, positive output |
| 11 | 10 | SVR | Supply voltage rejection pin |
| 12 | 11 | IN1 | Channel 1, input |
| 13 | 12 | IN2 | Channel 2, input |
| 14 | 13 | S-GND | Signal ground |
| 15 | 14 | IN4 | Channel 4, input |
| 16 | 15 | IN3 | Channel 3, input |
| 17 | 16 | AC-GND | AC ground |
| 18 | 17 | OUT3+ | Channel 3, positive output |
| 19 | 18 | PW-GND3 | Channel 3, output power ground |
| 20 | 19 | OUT3- | Channel 3, negative output |
| 21 | 20 | VCC | Supply voltage |
| 22 | 21 | OUT4+ | Channel 4, positive output |
| 23 | 22 | MUTE | Mute pin |
| 24 | 23 | OUT4- | Channel 4, negative output |
| 25 | 24 | PW-GND4 | Channel 4, output power ground |
| 26 | n.a | CD-DIAG | Clipping detector and diagnostics output |
| 27 | n.a | TAB | - |

3 Electrical specifications

3.1 Absolute maximum ratings

Table 3. Absolute maximum ratings

| Symbol | Parameter | Value | Unit |
|----------------|--|---------------------|------|
| V_S | Operating supply voltage | 18 | V |
| $V_{S(DC)}$ | DC supply voltage | 28 | V |
| $V_{S(pk)}$ | Peak supply voltage (for $t = 50$ ms) | 50 | V |
| I_O | Output peak current Non repetitive ($t = 100$ μ s) | 10 | A |
| | Repetitive (duty cycle 10 % at $f = 10$ Hz) | 9 | A |
| P_{tot} | Power dissipation $T_{case} = 70$ °C | 85 | W |
| T_j | Junction temperature | 150 | °C |
| T_{stg} | Storage temperature | -55 to 150 | °C |
| GND_{max} | Ground pin voltage | -0.3 to 0.3 | V |
| $V_{in max}$ | Input pin max voltage | -0.3 to 8 | V |
| $V_{SB max}$ | ST-BY pin max voltage | -0.3 to $V_{S(pk)}$ | V |
| $V_{mute max}$ | Mute pin max voltage | -0.3 to 6 | V |

3.2 Thermal data

Table 4. Thermal data

| Symbol | Parameter | Value | Unit |
|-----------------|-------------------------------------|-------|------|
| $R_{th j-case}$ | Thermal resistance junction-to-case | Max 1 | °C/W |

3.3 Electrical characteristics

Refer to the test and application diagram, $V_S = 14.4\text{ V}$; $R_L = 4\ \Omega$; $R_g = 600\ \Omega$; $f = 1\text{ kHz}$;
 $T_{\text{amb}} = 25\text{ }^\circ\text{C}$; unless otherwise specified.

Table 5. Electrical characteristics

| Symbol | Parameter | Test condition | Min. | Typ. | Max. | Unit |
|------------------------------------|---|--|------|-------|------|---------------|
| General characteristics | | | | | | |
| V_S | Supply voltage range | - | 6 | - | 18 | V |
| I_{q1} | Quiescent current | $R_L = \infty$ | 100 | 200 | 300 | mA |
| V_{OS} | Output offset voltage | Play mode / Mute mode | -90 | - | +90 | mV |
| dV_{OS} | During mute ON/OFF output offset voltage | ITU R-ARM weighted | -10 | - | +10 | mV |
| | During standby ON/OFF output offset voltage | | -15 | - | +15 | mV |
| R_i | Input impedance | - | 40 | 55 | 70 | k Ω |
| I_{SB} | Standby current consumption | $V_{\text{St-by}} = 1.2\text{ V}$ | - | - | 20 | μA |
| | | $V_{\text{St-by}} = 0$ | - | - | 10 | μA |
| Audio performances | | | | | | |
| P_o | Output power | THD = 10 % | 26 | 28 | - | W |
| | | THD = 1 % | 20 | 22 | - | W |
| | | THD = 10 %, 2 Ω | 43 | 48 | - | W |
| | | THD = 1 %, 2 Ω | 34 | 38 | - | W |
| $P_{o\text{ max.}}$ | Max. output power | Square wave input (2 Vrms) | | | | |
| | | $R_L = 4\ \Omega$ | 41 | 45 | - | W |
| | | $R_L = 2\ \Omega$ | 68 | 75 | - | W |
| | | $V_S = 15.2\text{ V}$; $R_L = 4\ \Omega$ | 46 | 50 | - | W |
| THD | Distortion | $P_o = 4\text{ W}$ | - | 0.007 | 0.05 | % |
| G_v | Voltage gain | - | 25 | 26 | 27 | dB |
| dG_v | Channel gain unbalance | - | -1 | - | +1 | dB |
| e_{No} | Output Noise | "A" Weighted | - | 35 | - | μV |
| | | Bw = 20 Hz to 20 kHz | - | 50 | 100 | μV |
| SVR | Supply voltage rejection | $f = 100\text{ Hz}$; $V_r = 1\text{ Vrms}$ | 50 | 70 | - | dB |
| f_{ch} | High cut-off frequency | $P_o = 0.5\text{ W}$ | 100 | 300 | - | kHz |
| C_T | Cross talk | $f = 1\text{ kHz}$ $P_o = 4\text{ W}$ | 60 | 75 | - | dB |
| | | $f = 10\text{ kHz}$ $P_o = 4\text{ W}$ | - | 60 | - | dB |
| A_M | Mute attenuation | $P_{\text{Oref}} = 4\text{ W}$ | 80 | 90 | - | dB |
| Control pin characteristics | | | | | | |
| I_{pin5} | Standby pin current | $V_{\text{St-by}} = 1.2\text{ V to } 2.6\text{ V}$ | - | - | 1 | μA |
| $V_{\text{SB out}}$ | Standby out threshold voltage | (Amp: ON) | 2.6 | - | - | V |

Table 5. Electrical characteristics (continued)

| Symbol | Parameter | Test condition | Min. | Typ. | Max. | Unit |
|--------------------------|-------------------------------------|--|---------|---------|---------|---------|
| $V_{SB\ in}$ | Standby in threshold voltage | (Amp: OFF) | - | - | 1.2 | V |
| $V_{M\ out}$ | Mute out threshold voltage | (Amp: Play) | 2.6 | - | - | V |
| $V_{M\ in}$ | Mute in threshold voltage | (Amp: Mute) | - | - | 1.2 | V |
| $V_{AM\ in}$ | V_S automute threshold | (Amp: Mute) Att \geq 80 dB; $P_{Oref} = 4\ W$ | 4.5 | 5 | 5.5 | V |
| | | (Amp: Play) Att $<$ 0.1 dB; $P_O = 0.5\ W$ | - | - | 6 | V |
| Ipin23 | Muting pin current | $V_{MUTE} = 1.2\ V$ (Sourced current) | 5 | 8 | 12 | μA |
| Offset detector | | | | | | |
| V_{OFF} | Detected differential output offset | $V_{St-by} = 5\ V$ | ± 1 | ± 2 | ± 3 | V |
| V_{OFF_SAT} | Off detector saturation voltage | $V_o > \pm 3\ V$, $I_{off\ Det} = 1\ mA$ $0\ V < V_{off\ Det} < 18\ V$ | - | 0.1 | 0.2 | V |
| V_{OFF_LK} | Off detector leakage current | $V_o < \pm 1\ V$ | - | 0 | 15 | μA |
| Clipping detector | | | | | | |
| CD_{LK} | Clip detector high leakage current | Cd off | - | 0 | 1 | μA |
| CD_{SAT} | Clip detector saturation voltage | DC On; $I_{CD} = 1\ mA$ | - | 0.1 | 0.2 | V |
| CD_{THD} | Clip detector THD level | $V_{CC} > 6.5\ V$ | - | 1 | - | % |

3.4 Electrical characteristics curves

Figure 5. Quiescent current vs. supply voltage

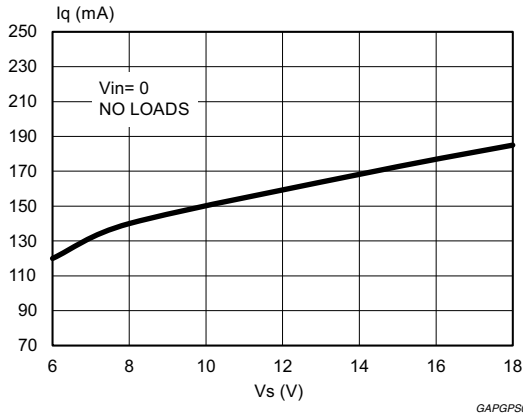


Figure 6. Output power vs. supply voltage (4 Ω)

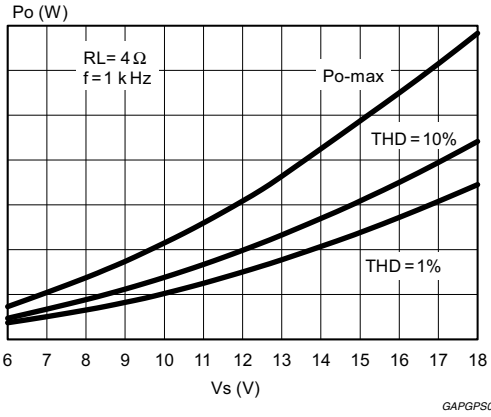


Figure 7. Output power vs. supply voltage (2 Ω)

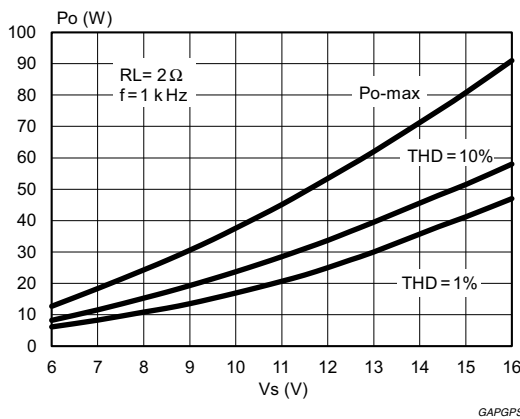


Figure 8. Distortion vs. output power (4 Ω)

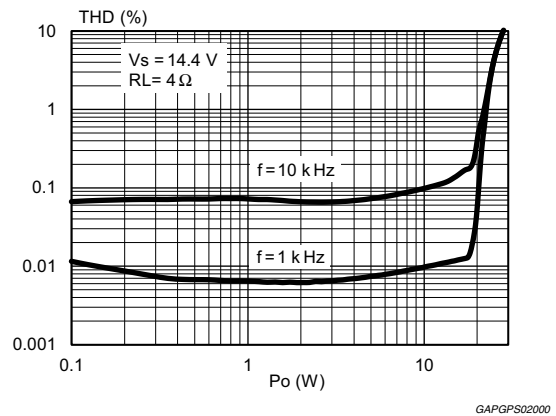


Figure 9. Distortion vs. frequency (4 Ω)

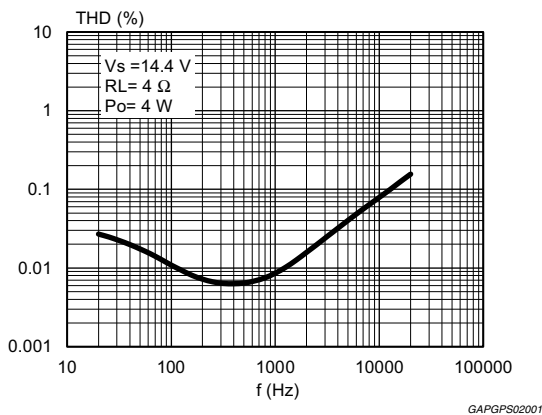


Figure 10. Distortion vs. output power (4 Ω , $V_s = 6 \text{ V}$)

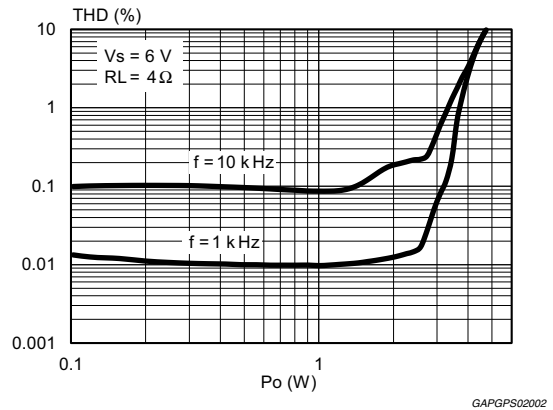
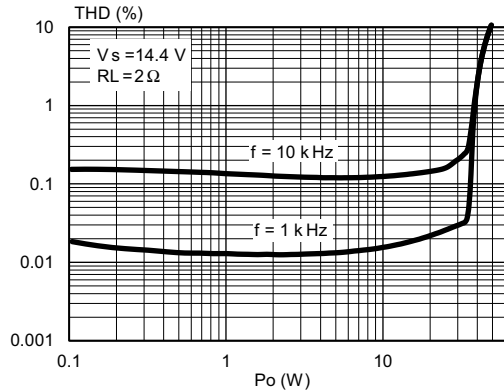
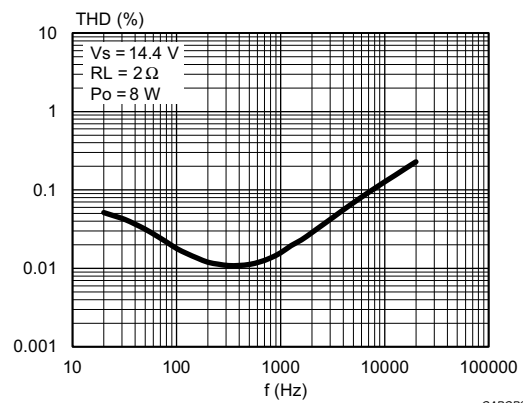


Figure 11. Distortion vs. output power (2 Ω)



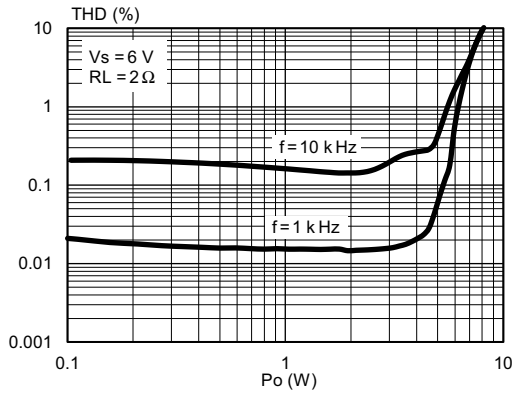
GAPGPS02003

Figure 12. Distortion vs. frequency (2 Ω)



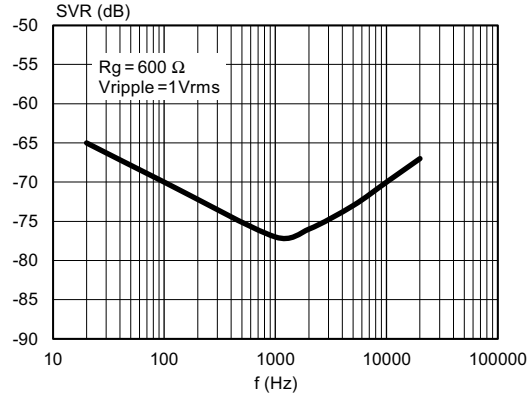
GAPGPS02004

Figure 13. Distortion vs. output power (2 Ω, Vs = 6 V)



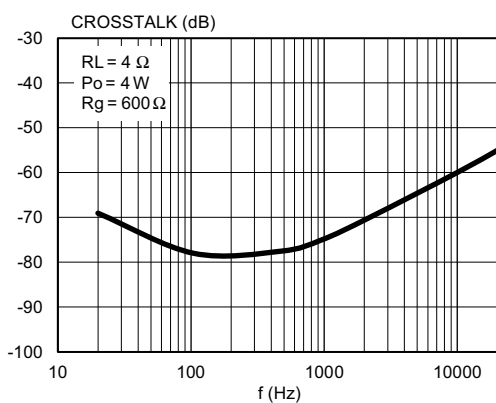
GAPGPS02005

Figure 14. Supply voltage rejection vs. frequency



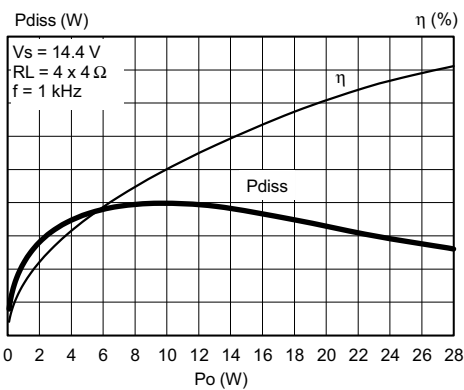
GAPGPS02006

Figure 15. Crosstalk vs. frequency



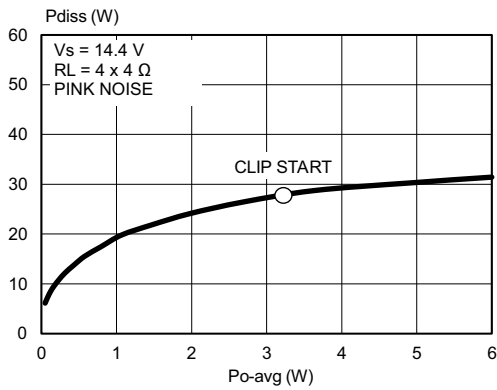
GAPGPS02007

Figure 16. Total power dissipation & efficiency vs. Po (4 Ω, Sine)



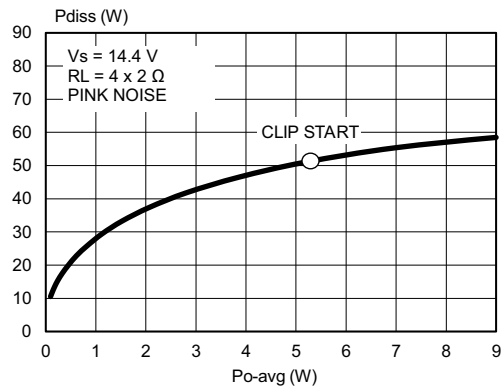
GAPGPS02008

Figure 17. Power dissipation vs. average output power (4 Ω, audio program simulation)



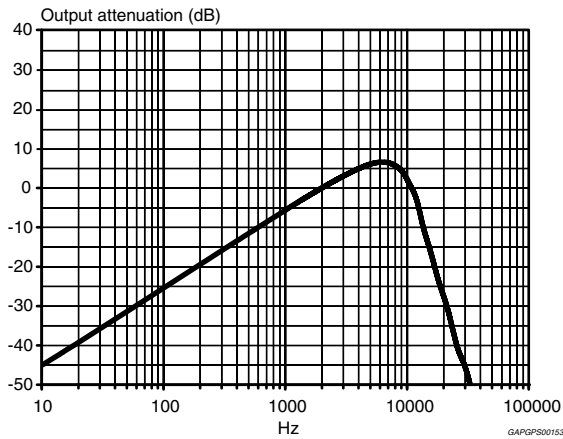
GAPGPS02009

Figure 18. Power dissipation vs. average output power (2 Ω, audio program simulation)



GAPGPS02010

Figure 19. ITU R-ARM frequency response, weighting filter for transient pop



GAPGPS00153

4 General information

4.1 Operation

The STPA001's inputs are ground-compatible. If the standard value for the input capacitors (0.22 μF) is adopted, the low frequency cut-off will amount to 16 Hz. The input capacitors should be 1/4 of the capacitor connected to AC-GND pin for optimum pop performances (see [Figure 2: Application circuit \(STPA001\)](#)).

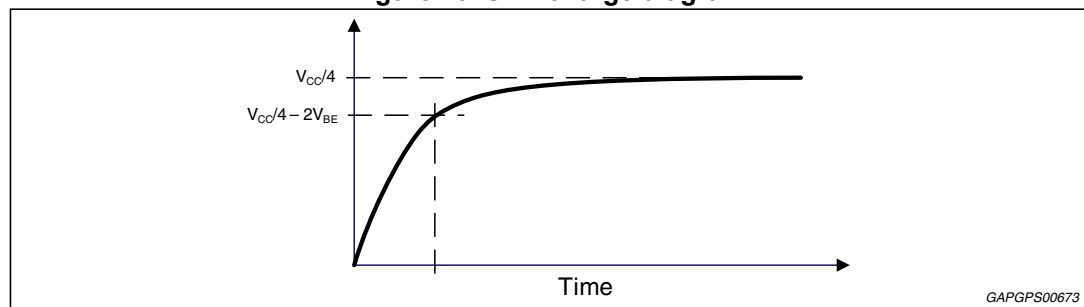
Standby and mute pins are both CMOS compatible.

RC cells at both mute and stand-by pins have always to be used in order to smooth the transitions for preventing any audible transient noise.

In case muting and stand-by functions are not used, they could steadily be connected to V_S , but a 470 k Ω resistance should be present between the power supply and the pins.

The capacitance on SVR sets the start-up and shut-down times and helps to have pop-noise free transitions. Its minimum recommended value is 10 μF . However, to have a fast start-up time, the internal resistor on SVR pin, used to set the time constant, is reduced from 50 k Ω to 3 k Ω till voltage on SVR reaches $V_{CC}/4 - 2V_{BE}$ and then released. In this way the capacitor on SVR is charged very quickly to $V_{CC}/4$, as shown in the following figure. The time constant to be assigned to the standby pin in order to obtain a virtually pop-free transition has to be slower than 2.5 V/ms.

Figure 20. SVR charge diagram



SVR pin accomplishes multiple functions:

- it is used as a reference voltage for input pins ($V_{CC}/4$)
- the capacitor connected to SVR helps the supply voltage ripple rejection
- it is used as a reference to generate the half supply voltage for the output

When the amplifier goes in standby mode or goes out from this condition, it is suggested to put the amplifier in mute to ensure the absence of audible noise. Then the stand-by pin can be set to the appropriate value (ground or $> 2.6\text{ V}$) and the capacitance on SVR pin is discharged or charged consequently.

4.2 Battery variations

4.2.1 Low voltage operation

The most recent OEM specifications are require automatic stop of car engine at traffic lights, in order to reduce emissions of polluting substances. The STPA001, thanks to its innovating

design, allows a continuous operation when battery falls down. At 6 V it is still fully operational, only the maximum output power is reduced accordingly to the available voltage supply.

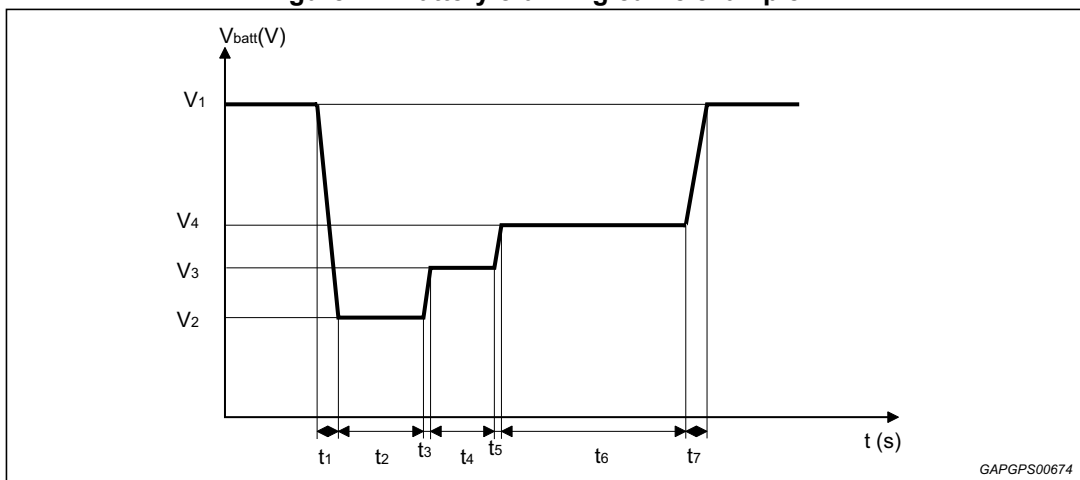
If the battery voltage drops below the minimum operating voltage of 6V the amplifier is fast muted, the capacitor on SVR is discharged and the amplifier restarts when the battery voltage returns to the correct voltage.

4.2.2 Cranks

STPA001 can sustain worst case cranks from 16 V to 6 V, continuing to play and without producing any pop noise.

Examples of battery cranking curves are shown below, indicating the shape and duration of allowed battery transitions.

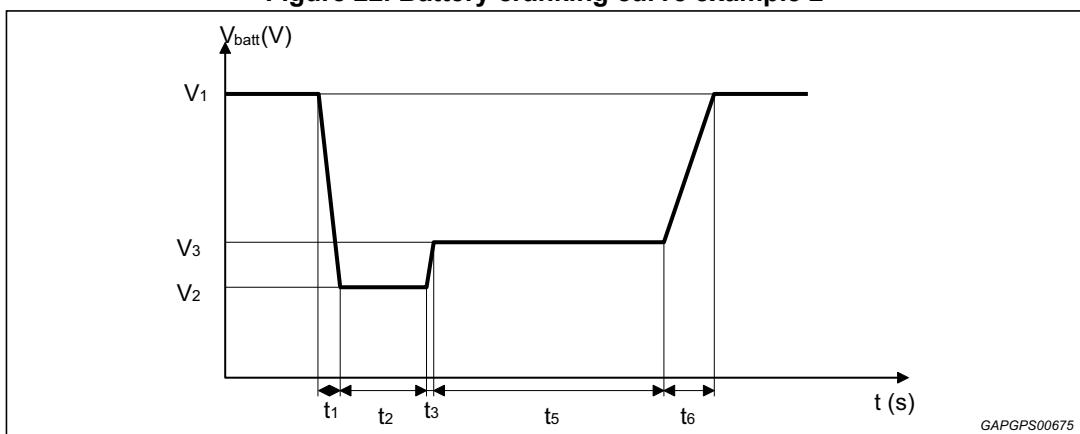
Figure 21. Battery cranking curve example 1



$V1 = 16\text{ V}; V2 = 6\text{ V}; V3 = 7\text{ V}; V4 = 8\text{ V}$

$t1 = 2\text{ ms}; t2 = 50\text{ ms}; t3 = 5\text{ ms}; t4 = 300\text{ ms}; t5 = 10\text{ ms}; t6 = 1\text{ s}; t7 = 2\text{ ms}$

Figure 22. Battery cranking curve example 2



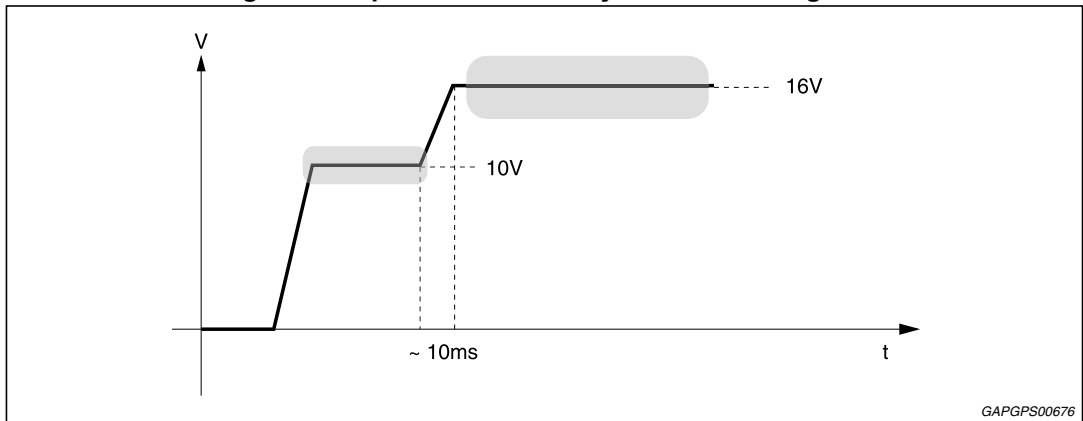
$V1 = 16\text{ V}; V2 = 6\text{ V}; V3 = 7\text{ V}$

$t1 = 2\text{ ms}; t2 = 5\text{ ms}; t3 = 15\text{ ms}; t5 = 1\text{ s}; t6 = 50\text{ ms}$

4.2.3 Advanced battery management (hybrid vehicles)

In addition to compatibility with low V_{batt} , the STPA001 is able to sustain upwards fast battery transitions without causing unwanted audible effects, like pop noise, and without any sound interruption thanks to the innovative circuit topology. In fact, in hybrid vehicles, the engine ignition causes a fast increase of battery voltage which can reach 16 V in less than 10 ms.

Figure 23. Upwards fast battery transitions diagram



4.3 Protections

4.3.1 Short circuits and open circuit operation

When the IC detects a short circuit to ground, to V_s or across the load, the output of the amplifier is put in three-state (high impedance condition). The power stage remains in this condition until the short is removed.

In case of short circuit to ground or V_{cc} , the amplifier exits from the three-state condition only when the output returns inside the limits imposed by an internal voltage comparator.

When a short across the load is present, the power stage sees an over-current and is brought in protection mode for 100 μs . After this time, if the short circuit condition is removed the amplifier returns to play, otherwise the high impedance state is maintained and the check is repeated every 100 μs .

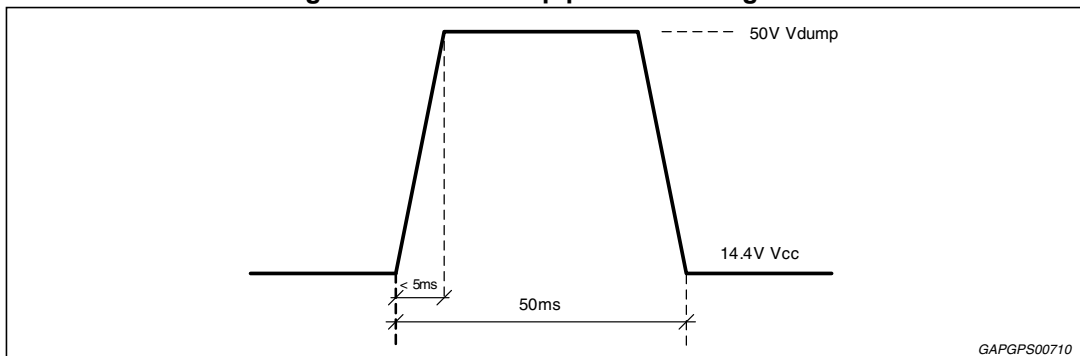
Disconnection of load (open load condition) doesn't damage the amplifier, which continues to play.

4.3.2 Over-voltage and load dump protection

When the battery voltage is higher than 19 V, the amplifier is switched to a high impedance state. It stops to playing till the supply voltage returns in the permitted range.

The amplifier is protected against load dump surges having amplitude as high as 50 V and a rising time lower than 5 ms (see *Figure 24*).

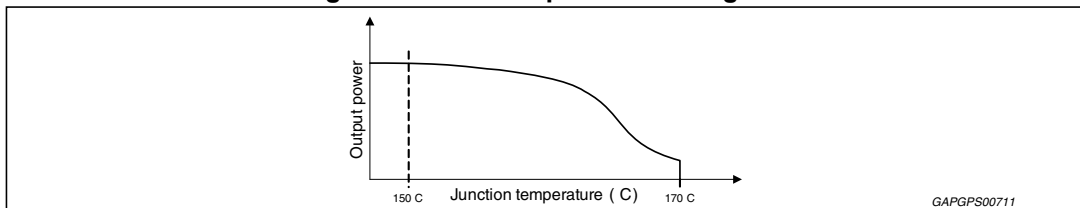
Figure 24. Load dump protection diagram



4.3.3 Thermal protection

If the junction temperature of the IC reaches $T_j = 150\text{ }^\circ\text{C}$, a smooth mute is applied to reduce output power and limit power dissipation. If this is not enough and the junction temperature continues to increase, the amplifier is switched off when reaches the maximum temperature of $170\text{ }^\circ\text{C}$.

Figure 25. Thermal protection diagram



4.4 Warnings

4.4.1 DC offset detection (OD pin)

The STPA001 integrates a DC offset detector to avoid that an anomalous input DC offset is multiplied by the amplifier gain producing a dangerous large offset at the output. In fact an output offset may lead to speakers damage for overheating. The detector works with the amplifier un-muted and no signal at the inputs.

When the differential output voltage is out of a window comparator with thresholds $\pm 2V$ (typ), the OD pin is pulled down.

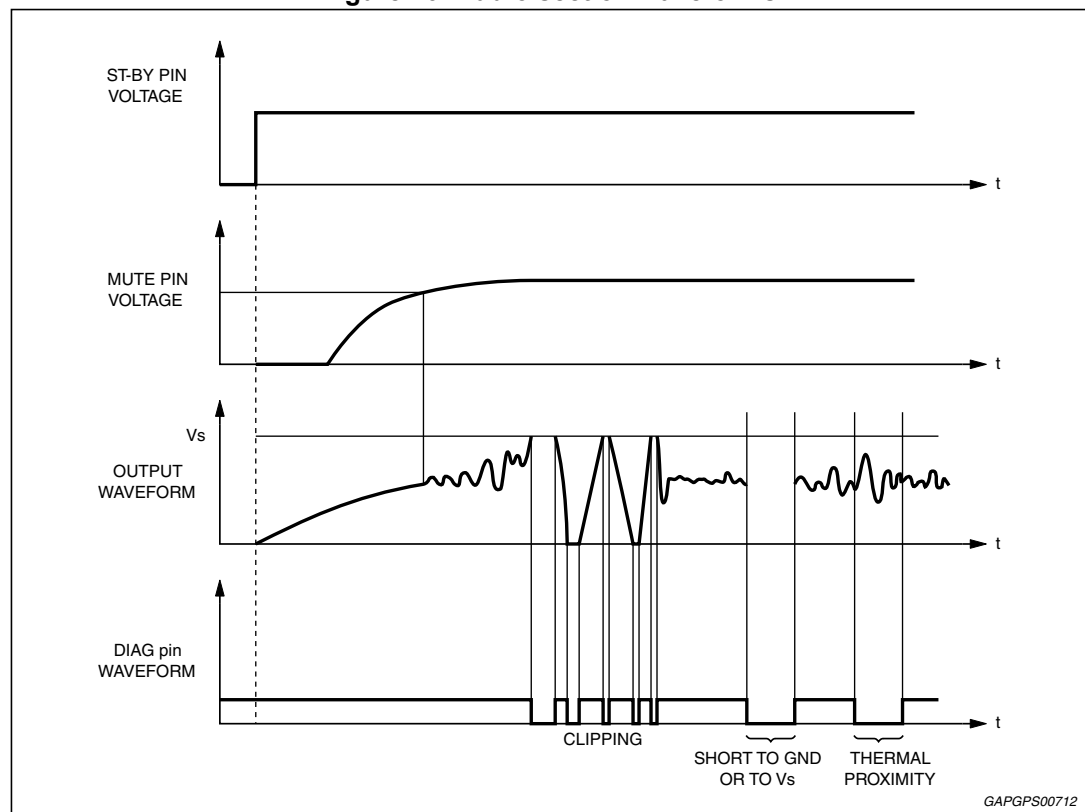
4.4.2 Clipping detection and diagnostics (CD-DIAG pin)

When clipping occurs, the output signal is distorted. If the signal distortion on one of the output channels exceeds 1%, the CD-DIAG pin is pulled down. This information can be sent to an audio processor in order to reduce the input signal of the amplifier and reduce the clipping. Thanks to a particular internal circuitry, the clip detector is always functional till 6.5 V.

A short to ground and short to V_{cc} is pointed out by CD-DIAG. This pin is pulled down to 0 V till these shorts are present to inform the user a protection occurred.

CD-DIAG acts also as thermal warning. In fact every time T_j exceeds 140 °C, it is pulled down to notify this occurrence.

Figure 26. Audio section waveforms



4.5 Heat sink definition

Assuming we have a maximum dissipated power of 26 W (e.g. in the worst case situation of frequent clipping occurrence), considering T_j max is 150°C and assuming ambient temperature is 70 °C, the available temperature gap for a correct dissipation is 80 °C. This means the thermal resistance of the system R_{Th} has to be $80 \text{ °C}/26 \text{ W} = 3 \text{ °C/W}$.

The junction to case thermal resistance is 1 °C/W. So the heat sink thermal resistance should be approximately 2 °C/W. This would avoid any thermal shutdown occurrence even after long-term and full-volume operation.

5 Package information

In order to meet environmental requirements, ST offers these devices in different grades of ECOPACK® packages, depending on their level of environmental compliance. ECOPACK® specifications, grade definitions and product status are available at: www.st.com.

ECOPACK® is an ST trademark.

Figure 27. Flexiwatt27 (vertical) mechanical data and package dimensions

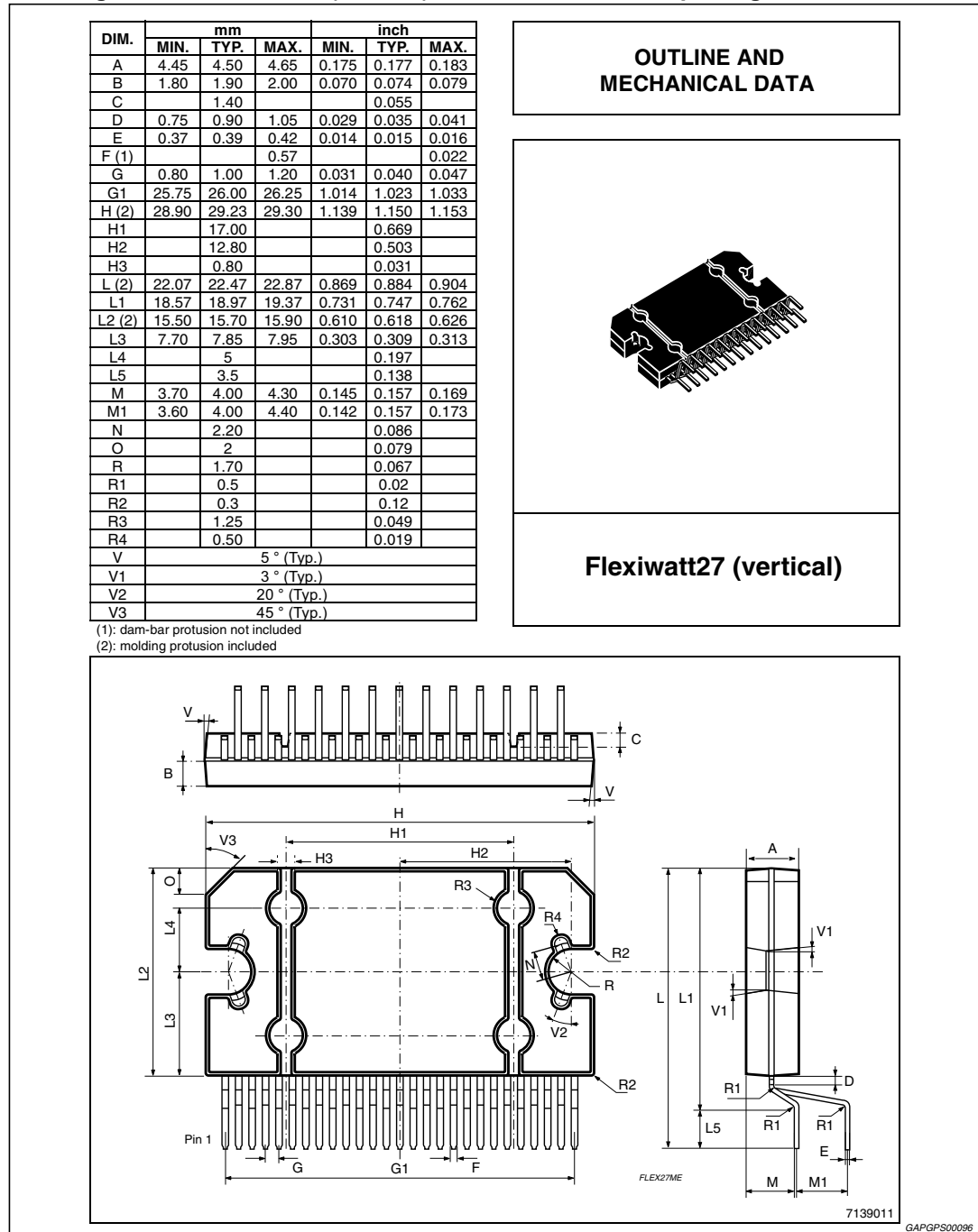


Figure 28. Flexiwatt27 (horizontal) mechanical data and package dimensions

| DIM. | mm | | | inch | | |
|--------|------------|-------|-------|--------|-------|--------|
| | MIN. | TYP. | MAX. | MIN. | TYP. | MAX. |
| A | 4.45 | 4.50 | 4.65 | 0.175 | 0.177 | 0.183 |
| B | 1.80 | 1.90 | 2.00 | 0.070 | 0.074 | 0.079 |
| C | | 1.40 | | | 0.055 | |
| D | | 2.00 | | | 0.079 | |
| E | 0.37 | 0.39 | 0.42 | 0.014 | 0.015 | 0.016 |
| F (1) | | | 0.57 | | | 0.022 |
| G | 0.75 | 1.00 | 1.25 | 0.0295 | 0.040 | 0.0492 |
| G1 | 25.70 | 26.00 | 26.30 | 1.0118 | 1.023 | 1.0354 |
| H (2) | 28.90 | 29.23 | 29.30 | 1.139 | 1.150 | 1.153 |
| H1 | | 17.00 | | | 0.669 | |
| H2 | | 12.80 | | | 0.503 | |
| H3 | | 0.80 | | | 0.031 | |
| L (2) | 21.64 | 22.04 | 22.44 | 0.852 | 0.868 | 0.883 |
| L1 | 10.15 | 10.5 | 10.85 | 0.40 | 0.413 | 0.427 |
| L2 (2) | 15.50 | 15.70 | 15.90 | 0.610 | 0.618 | 0.626 |
| L3 | 7.70 | 7.85 | 7.95 | 0.303 | 0.309 | 0.313 |
| L4 | | 5 | | | 0.197 | |
| L5 | 5.15 | 5.45 | 5.85 | 0.203 | 0.214 | 0.23 |
| L6 | 1.80 | 1.95 | 2.10 | 0.070 | 0.077 | 0.083 |
| M | 2.75 | 3.00 | 3.50 | 0.108 | 0.118 | 0.138 |
| M1 | | 4.73 | | | 0.186 | |
| M2 | | 5.61 | | | 0.220 | |
| N | | 2.20 | | | 0.086 | |
| P | 3.20 | 3.50 | 3.80 | 0.126 | 0.138 | 0.15 |
| R | | 1.70 | | | 0.067 | |
| R1 | | 0.50 | | | 0.02 | |
| R2 | | 0.30 | | | 0.12 | |
| R3 | | 1.25 | | | 0.049 | |
| R4 | | 0.50 | | | 0.02 | |
| V | 5° (Typ.) | | | | | |
| V1 | 3° (Typ.) | | | | | |
| V2 | 20° (Typ.) | | | | | |
| V3 | 45° (Typ.) | | | | | |

(1): dam-bar protusion not included; (2): molding protusion included

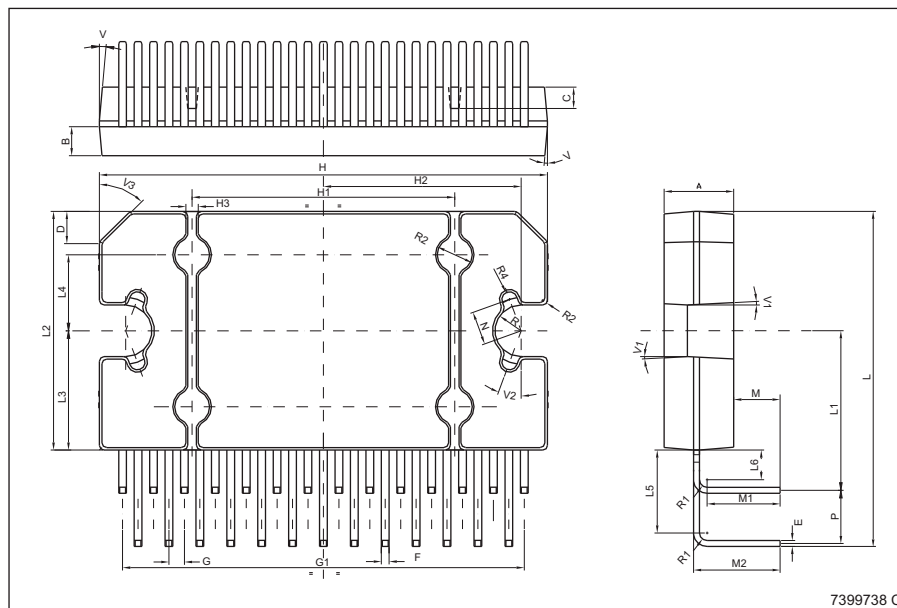
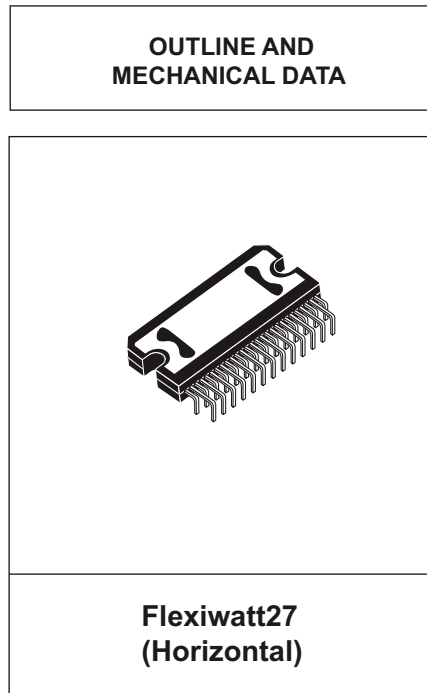
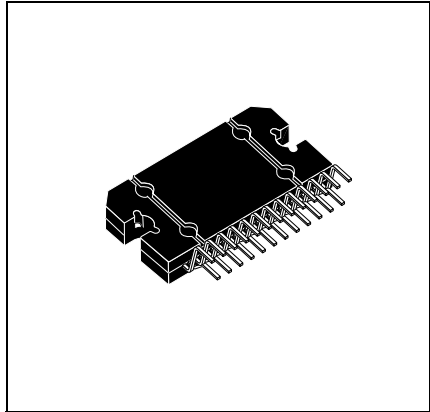


Figure 29. Flexiwatt25 vertical mechanical data and package dimensions

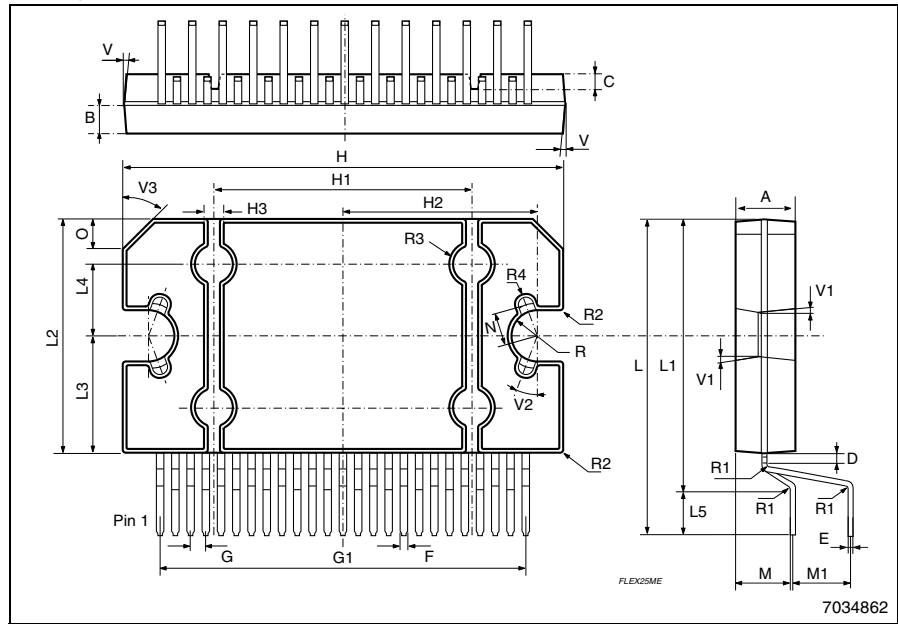
| DIM. | mm | | | inch | | |
|--------|-------|-------|------------|-------|-------|-------|
| | MIN. | TYP. | MAX. | MIN. | TYP. | MAX. |
| A | 4.45 | 4.50 | 4.65 | 0.175 | 0.177 | 0.183 |
| B | 1.80 | 1.90 | 2.00 | 0.070 | 0.074 | 0.079 |
| C | | 1.40 | | | 0.055 | |
| D | 0.75 | 0.90 | 1.05 | 0.029 | 0.035 | 0.041 |
| E | 0.37 | 0.39 | 0.42 | 0.014 | 0.015 | 0.016 |
| F (1) | | | 0.57 | | | 0.022 |
| G | 0.80 | 1.00 | 1.20 | 0.031 | 0.040 | 0.047 |
| G1 | 23.75 | 24.00 | 24.25 | 0.935 | 0.945 | 0.955 |
| H (2) | 28.90 | 29.23 | 29.30 | 1.139 | 1.150 | 1.153 |
| H1 | | 17.00 | | | 0.669 | |
| H2 | | 12.80 | | | 0.503 | |
| H3 | | 0.80 | | | 0.031 | |
| L (2) | 22.07 | 22.47 | 22.87 | 0.869 | 0.884 | 0.904 |
| L1 | 18.57 | 18.97 | 19.37 | 0.731 | 0.747 | 0.762 |
| L2 (2) | 15.50 | 15.70 | 15.90 | 0.610 | 0.618 | 0.626 |
| L3 | 7.70 | 7.85 | 7.95 | 0.303 | 0.309 | 0.313 |
| L4 | | 5 | | | 0.197 | |
| L5 | | 3.5 | | | 0.138 | |
| M | 3.70 | 4.00 | 4.30 | 0.145 | 0.157 | 0.169 |
| M1 | 3.60 | 4.00 | 4.40 | 0.142 | 0.157 | 0.173 |
| N | | 2.20 | | | 0.086 | |
| O | | 2 | | | 0.079 | |
| R | | 1.70 | | | 0.067 | |
| R1 | | 0.5 | | | 0.02 | |
| R2 | | 0.3 | | | 0.12 | |
| R3 | | 1.25 | | | 0.049 | |
| R4 | | 0.50 | | | 0.019 | |
| V | | | 5° (Typ.) | | | |
| V1 | | | 3° (Typ.) | | | |
| V2 | | | 20° (Typ.) | | | |
| V3 | | | 45° (Typ.) | | | |

OUTLINE AND MECHANICAL DATA



Flexiwatt25 (vertical)

(1): dam-bar protusion not included
 (2): molding protusion included

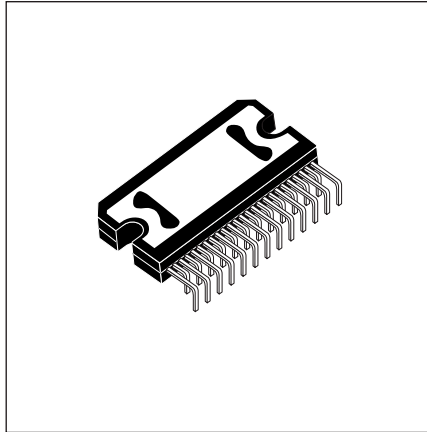


GAPGPS00669

Figure 30. Flexiwatt25 (horizontal) mechanical data and package dimensions

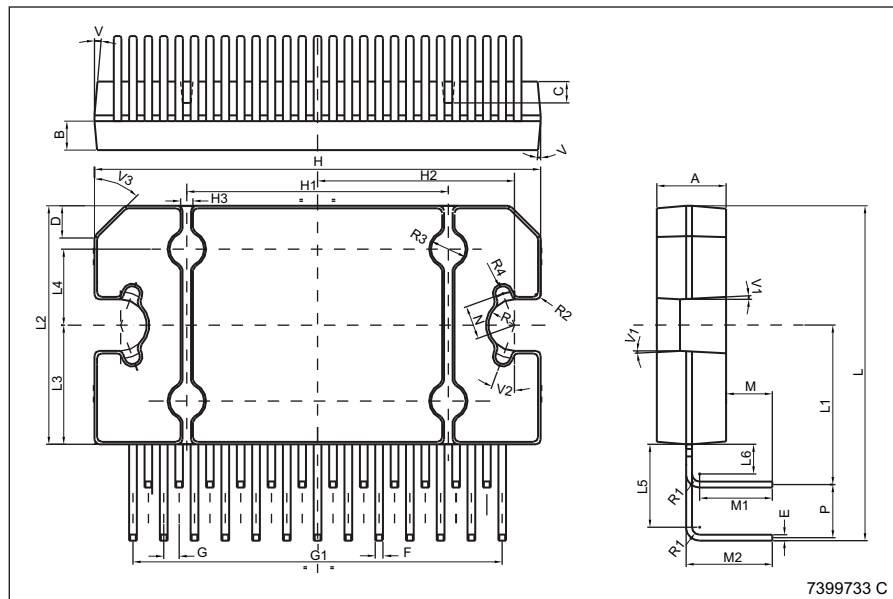
| DIM. | mm | | | inch | | |
|-------------------|-------|-------|-------|------------|-------|-------|
| | MIN. | TYP. | MAX. | MIN. | TYP. | MAX. |
| A | 4.45 | 4.50 | 4.65 | 0.175 | 0.177 | 0.183 |
| B | 1.80 | 1.90 | 2.00 | 0.070 | 0.074 | 0.079 |
| C | | 1.40 | | | 0.055 | |
| D | | 2.00 | | | 0.079 | |
| E | 0.37 | 0.39 | 0.42 | 0.014 | 0.015 | 0.016 |
| F ⁽¹⁾ | | | 0.57 | | | 0.022 |
| G | 0.75 | 1.00 | 1.25 | 0.029 | 0.040 | 0.049 |
| G1 | 23.70 | 24.00 | 24.30 | 0.933 | 0.945 | 0.957 |
| H ⁽²⁾ | 28.90 | 29.23 | 29.30 | 1.139 | 1.150 | 1.153 |
| H1 | | 17.00 | | | 0.669 | |
| H2 | | 12.80 | | | 0.503 | |
| H3 | | 0.80 | | | 0.031 | |
| L ⁽²⁾ | 21.64 | 22.04 | 22.44 | 0.852 | 0.868 | 0.883 |
| L1 | 10.15 | 10.5 | 10.85 | 0.40 | 0.413 | 0.427 |
| L2 ⁽²⁾ | 15.50 | 15.70 | 15.90 | 0.610 | 0.618 | 0.626 |
| L3 | 7.70 | 7.85 | 7.95 | 0.303 | 0.309 | 0.313 |
| L4 | | 5 | | | 0.197 | |
| L5 | 5.15 | 5.45 | 5.85 | 0.203 | 0.214 | 0.23 |
| L6 | 1.80 | 1.95 | 2.10 | 0.070 | 0.077 | 0.083 |
| M | 2.75 | 3.00 | 3.50 | 0.108 | 0.118 | 0.138 |
| M1 | | 4.73 | | | 0.186 | |
| M2 | | 5.61 | | | 0.220 | |
| N | | 2.20 | | | 0.086 | |
| P | 3.20 | 3.50 | 3.80 | 0.126 | 0.138 | 0.15 |
| R | | 1.70 | | | 0.067 | |
| R1 | | 0.50 | | | 0.02 | |
| R2 | | 0.30 | | | 0.12 | |
| R3 | | 1.25 | | | 0.049 | |
| R4 | | 0.50 | | | 0.02 | |
| V | | | | 5° (Typ.) | | |
| V1 | | | | 3° (Typ.) | | |
| V2 | | | | 20° (Typ.) | | |
| V3 | | | | 45° (Typ.) | | |

OUTLINE AND MECHANICAL DATA



Flexiwatt25 (Horizontal)

(1): Dam-bar protusion not included; (2): Molding protusion included.



7399733 C

GAPGPS01239

6 Revision history

Table 6. Document revision history

| Date | Revision | Changes |
|-------------|----------|---|
| 03-Apr-2012 | 1 | Initial release. |
| 10-Sep-2012 | 2 | Updated <i>Table 3: Absolute maximum ratings on page 9.</i> |
| 14-Nov-2012 | 3 | Updated: <i>Features on page 1;</i> <i>Section 1.1: Block diagram and application circuit;</i> <i>Section 3.3: Electrical characteristics;</i> <i>Section 4.4.2: Clipping detection and diagnostics (CD-DIAG pin) on page 19;</i> Added <i>Section 3.4: Electrical characteristics curves.</i> |
| 05-Sep-2013 | 4 | Updated <i>Figure 17 & 18.</i> |
| 18-Sep-2013 | 5 | Updated Disclaimer. |
| 05-Sep-2014 | 6 | Updated <i>Table 1: Device summary on page 1.</i> Added <i>Figure 30: Flexiwatt25 (horizontal) mechanical data and package dimensions on page 24.</i> |
| 27-Oct-2014 | 7 | Updated <i>Table 1: Device summary on page 1.</i> Added <i>Figure 28: Flexiwatt27 (horizontal) mechanical data and package dimensions on page 22</i> |

IMPORTANT NOTICE – PLEASE READ CAREFULLY

STMicroelectronics NV and its subsidiaries ("ST") reserve the right to make changes, corrections, enhancements, modifications, and improvements to ST products and/or to this document at any time without notice. Purchasers should obtain the latest relevant information on ST products before placing orders. ST products are sold pursuant to ST's terms and conditions of sale in place at the time of order acknowledgement.

Purchasers are solely responsible for the choice, selection, and use of ST products and ST assumes no liability for application assistance or the design of Purchasers' products.

No license, express or implied, to any intellectual property right is granted by ST herein.

Resale of ST products with provisions different from the information set forth herein shall void any warranty granted by ST for such product.

ST and the ST logo are trademarks of ST. All other product or service names are the property of their respective owners.

Information in this document supersedes and replaces information previously supplied in any prior versions of this document.

© 2014 STMicroelectronics – All rights reserved

Компания «Океан Электроники» предлагает заключение долгосрочных отношений при поставках импортных электронных компонентов на взаимовыгодных условиях!

Наши преимущества:

- Поставка оригинальных импортных электронных компонентов напрямую с производств Америки, Европы и Азии, а так же с крупнейших складов мира;
- Широкая линейка поставок активных и пассивных импортных электронных компонентов (более 30 млн. наименований);
- Поставка сложных, дефицитных, либо снятых с производства позиций;
- Оперативные сроки поставки под заказ (от 5 рабочих дней);
- Экспресс доставка в любую точку России;
- Помощь Конструкторского Отдела и консультации квалифицированных инженеров;
- Техническая поддержка проекта, помощь в подборе аналогов, поставка прототипов;
- Поставка электронных компонентов под контролем ВП;
- Система менеджмента качества сертифицирована по Международному стандарту ISO 9001;
- При необходимости вся продукция военного и аэрокосмического назначения проходит испытания и сертификацию в лаборатории (по согласованию с заказчиком);
- Поставка специализированных компонентов военного и аэрокосмического уровня качества (Xilinx, Altera, Analog Devices, Intersil, Interpoint, Microsemi, Actel, Aeroflex, Peregrine, VPT, Syfer, Eurofarad, Texas Instruments, MS Kennedy, Miteq, Cobham, E2V, MA-COM, Hittite, Mini-Circuits, General Dynamics и др.);

Компания «Океан Электроники» является официальным дистрибьютором и эксклюзивным представителем в России одного из крупнейших производителей разъемов военного и аэрокосмического назначения «JONHON», а так же официальным дистрибьютором и эксклюзивным представителем в России производителя высокотехнологичных и надежных решений для передачи СВЧ сигналов «FORSTAR».



JONHON

«JONHON» (основан в 1970 г.)

Разъемы специального, военного и аэрокосмического назначения:

(Применяются в военной, авиационной, аэрокосмической, морской, железнодорожной, горно- и нефтедобывающей отраслях промышленности)

«FORSTAR» (основан в 1998 г.)

ВЧ соединители, коаксиальные кабели,
кабельные сборки и микроволновые компоненты:

(Применяются в телекоммуникациях гражданского и специального назначения, в средствах связи, РЛС, а так же военной, авиационной и аэрокосмической отраслях промышленности).



Телефон: 8 (812) 309-75-97 (многоканальный)

Факс: 8 (812) 320-03-32

Электронная почта: ocean@oceanchips.ru

Web: <http://oceanchips.ru/>

Адрес: 198099, г. Санкт-Петербург, ул. Калинина, д. 2, корп. 4, лит. А