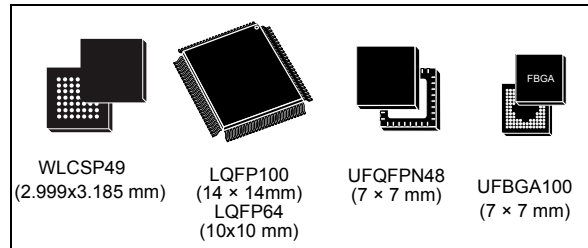


Arm<sup>®</sup> Cortex<sup>®</sup>-M4 32b MCU+FPU, 125 DMIPS, 512KB Flash, 128KB RAM, USB OTG FS, 11 TIMs, 1 ADC, 13 comm. interfaces

Datasheet - production data

## Features

- Dynamic Efficiency Line with BAM (Batch Acquisition Mode)
  - 1.7 V to 3.6 V power supply
  - -40°C to 85/105/125 °C temperature range
- Core: Arm<sup>®</sup> 32-bit Cortex<sup>®</sup>-M4 CPU with FPU, Adaptive real-time accelerator (ART Accelerator™) allowing 0-wait state execution from Flash memory, frequency up to 100 MHz, memory protection unit, 125 DMIPS/1.25 DMIPS/MHz (Dhrystone 2.1), and DSP instructions
- Memories
  - Up to 512 Kbytes of Flash memory
  - 128 Kbytes of SRAM
- Clock, reset and supply management
  - 1.7 V to 3.6 V application supply and I/Os
  - POR, PDR, PVD and BOR
  - 4-to-26 MHz crystal oscillator
  - Internal 16 MHz factory-trimmed RC
  - 32 kHz oscillator for RTC with calibration
  - Internal 32 kHz RC with calibration
- Power consumption
  - Run: 100 µA/MHz (peripheral off)
  - Stop (Flash in Stop mode, fast wakeup time): 42 µA Typ @ 25°C; 65 µA max @25 °C
  - Stop (Flash in Deep power down mode, slow wakeup time): down to 9 µA @ 25 °C; 28 µA max @25 °C
  - Standby: 1.8 µA @25 °C / 1.7 V without RTC; 11 µA @85 °C @1.7 V
  - V<sub>BAT</sub> supply for RTC: 1 µA @25 °C
- 1×12-bit, 2.4 MSPS A/D converter: up to 16 channels
- General-purpose DMA: 16-stream DMA controllers with FIFOs and burst support
- Up to 11 timers: up to six 16-bit, two 32-bit timers up to 100 MHz, each with up to four IC/OC/PWM or pulse counter and quadrature (incremental) encoder input, two watchdog timers (independent and window) and a SysTick timer



- Debug mode
  - Serial wire debug (SWD) & JTAG interfaces
  - Cortex<sup>®</sup>-M4 Embedded Trace Macrocell™
- Up to 81 I/O ports with interrupt capability
  - Up to 78 fast I/Os up to 100 MHz
  - Up to 77 5 V-tolerant I/Os
- Up to 13 communication interfaces
  - Up to 3 x I<sup>2</sup>C interfaces (SMBus/PMBus)
  - Up to 3 USARTs (2 x 12.5 Mbit/s, 1 x 6.25 Mbit/s), ISO 7816 interface, LIN, IrDA, modem control)
  - Up to 5 SPI/I<sup>2</sup>Ss (up to 50 Mbit/s, SPI or I<sup>2</sup>S audio protocol), SPI2 and SPI3 with muxed full-duplex I<sup>2</sup>S to achieve audio class accuracy via internal audio PLL or external clock
  - SDIO interface (SD/MMC/eMMC)
  - Advanced connectivity: USB 2.0 full-speed device/host/OTG controller with on-chip PHY
- CRC calculation unit
- 96-bit unique ID
- RTC: subsecond accuracy, hardware calendar
- All packages (WLCSP49, LQFP64/100, UFQFPN48, UFBGA100) are ECOPACK<sup>®</sup> 2

**Table 1. Device summary**

| Reference   | Part number                           |
|-------------|---------------------------------------|
| STM32F411xC | STM32F411CC, STM32F411RC, STM32F411VC |
| STM32F411xE | STM32F411CE, STM32F411RE, STM32F411VE |

# Contents

|          |   |           |
|----------|---|-----------|
| <b>1</b> | <b>Introduction</b> .....   | <b>10</b> |
| <b>2</b> | <b>Description</b> .....  | <b>11</b> |
| 2.1      | Compatibility with STM32F4 Series .....                               | 13        |
| <b>3</b> | <b>Functional overview</b> .....                                      | <b>16</b> |
| 3.1      | Arm® Cortex®-M4 with FPU core with embedded Flash and SRAM .....      | 16        |
| 3.2      | Adaptive real-time memory accelerator (ART Accelerator™) .....        | 16        |
| 3.3      | Batch Acquisition mode (BAM) .....                                    | 16        |
| 3.4      | Memory protection unit .....  | 17        |
| 3.5      | Embedded Flash memory .....   | 17        |
| 3.6      | CRC (cyclic redundancy check) calculation unit .....                  | 17        |
| 3.7      | Embedded SRAM .....   | 17        |
| 3.8      | Multi-AHB bus matrix .....  | 18        |
| 3.9      | DMA controller (DMA) .....  | 18        |
| 3.10     | Nested vectored interrupt controller (NVIC) .....                     | 19        |
| 3.11     | External interrupt/event controller (EXTI) .....                      | 19        |
| 3.12     | Clocks and startup .....  | 19        |
| 3.13     | Boot modes .....  | 20        |
| 3.14     | Power supply schemes .....  | 20        |
| 3.15     | Power supply supervisor .....   | 21        |
| 3.15.1   | Internal reset ON .....   | 21        |
| 3.15.2   | Internal reset OFF .....  | 21        |
| 3.16     | Voltage regulator .....   | 22        |
| 3.16.1   | Regulator ON .....  | 22        |
| 3.16.2   | Regulator OFF .....   | 22        |
| 3.16.3   | Regulator ON/OFF and internal power supply supervisor availability .. | 25        |
| 3.17     | Real-time clock (RTC) and backup registers .....                      | 25        |
| 3.18     | Low-power modes .....   | 26        |
| 3.19     | V <sub>BAT</sub> operation .....                                      | 26        |
| 3.20     | Timers and watchdogs .....  | 27        |
| 3.20.1   | Advanced-control timers (TIM1) .....                                  | 27        |

- 3.20.2 General-purpose timers (TIMx) ..... 28
- 3.20.3 Independent watchdog ..... 28
- 3.20.4 Window watchdog ..... 28
- 3.20.5 SysTick timer ..... 29
- 3.21 Inter-integrated circuit interface (I2C) ..... 29
- 3.22 Universal synchronous/asynchronous receiver transmitters (USART) .. 29
- 3.23 Serial peripheral interface (SPI) ..... 30
- 3.24 Inter-integrated sound (I<sup>2</sup>S) ..... 30
- 3.25 Audio PLL (PLLI2S) ..... 30
- 3.26 Secure digital input/output interface (SDIO) ..... 31
- 3.27 Universal serial bus on-the-go full-speed (OTG\_FS) ..... 31
- 3.28 General-purpose input/outputs (GPIOs) ..... 31
- 3.29 Analog-to-digital converter (ADC) ..... 32
- 3.30 Temperature sensor ..... 32
- 3.31 Serial wire JTAG debug port (SWJ-DP) ..... 32
- 3.32 Embedded Trace Macrocell™ ..... 32
  
- 4 Pinouts and pin description ..... 33**
  
- 5 Memory mapping ..... 53**
  
- 6 Electrical characteristics ..... 57**
- 6.1 Parameter conditions ..... 57
  - 6.1.1 Minimum and maximum values ..... 57
  - 6.1.2 Typical values ..... 57
  - 6.1.3 Typical curves ..... 57
  - 6.1.4 Loading capacitor ..... 57
  - 6.1.5 Pin input voltage ..... 58
  - 6.1.6 Power supply scheme ..... 59
  - 6.1.7 Current consumption measurement ..... 60
- 6.2 Absolute maximum ratings ..... 60
- 6.3 Operating conditions ..... 62
  - 6.3.1 General operating conditions ..... 62
  - 6.3.2 VCAP\_1/VCAP\_2 external capacitors ..... 64
  - 6.3.3 Operating conditions at power-up/power-down (regulator ON) ..... 65
  - 6.3.4 Operating conditions at power-up / power-down (regulator OFF) ..... 65

|                   |   |            |
|-------------------|---|------------|
| 6.3.5             | Embedded reset and power control block characteristics . . . . .      | 66         |
| 6.3.6             | Supply current characteristics . . . . .                              | 67         |
| 6.3.7             | Wakeup time from low-power modes . . . . .                            | 81         |
| 6.3.8             | External clock source characteristics . . . . .                       | 82         |
| 6.3.9             | Internal clock source characteristics . . . . .                       | 86         |
| 6.3.10            | PLL characteristics . . . . .   | 88         |
| 6.3.11            | PLL spread spectrum clock generation (SSCG) characteristics . . . . . | 90         |
| 6.3.12            | Memory characteristics . . . . .                                      | 91         |
| 6.3.13            | EMC characteristics . . . . .   | 93         |
| 6.3.14            | Absolute maximum ratings (electrical sensitivity) . . . . .           | 95         |
| 6.3.15            | I/O current injection characteristics . . . . .                       | 96         |
| 6.3.16            | I/O port characteristics . . . . .                                    | 97         |
| 6.3.17            | NRST pin characteristics . . . . .                                    | 103        |
| 6.3.18            | TIM timer characteristics . . . . .                                   | 104        |
| 6.3.19            | Communications interfaces . . . . .                                   | 104        |
| 6.3.20            | 12-bit ADC characteristics . . . . .                                  | 113        |
| 6.3.21            | Temperature sensor characteristics . . . . .                          | 119        |
| 6.3.22            | V <sub>BAT</sub> monitoring characteristics . . . . .                 | 120        |
| 6.3.23            | Embedded reference voltage . . . . .                                  | 120        |
| 6.3.24            | SD/SDIO MMC/eMMC card host interface (SDIO) characteristics . . . . . | 121        |
| 6.3.25            | RTC characteristics . . . . .   | 123        |
| <b>7</b>          | <b>Package information . . . . .</b>                                  | <b>124</b> |
| 7.1               | WLCSP49 package information . . . . .                                 | 124        |
| 7.2               | UFQFPN48 package information . . . . .                                | 127        |
| 7.3               | LQFP64 package information . . . . .                                  | 130        |
| 7.4               | LQFP100 package information . . . . .                                 | 133        |
| 7.5               | UFBGA100 package information . . . . .                                | 137        |
| 7.6               | Thermal characteristics . . . . .                                     | 140        |
| 7.6.1             | Reference document . . . . .  | 140        |
| <b>8</b>          | <b>Ordering information . . . . .</b>                                 | <b>141</b> |
| <b>Appendix A</b> | <b>Recommendations when using the internal reset OFF . . . . .</b>    | <b>142</b> |
| A.1               | Operating conditions . . . . .  | 142        |
| <b>Appendix B</b> | <b>Application block diagrams . . . . .</b>                           | <b>143</b> |

---

|                               |   |            |
|-------------------------------|---|------------|
| B.1                           | USB OTG Full Speed (FS) interface solutions ..... | 143        |
| B.2                           | Sensor Hub application example. ....              | 145        |
| B.3                           | Batch Acquisition Mode (BAM) example. ....        | 146        |
| <b>Revision history .....</b> |   | <b>147</b> |

## List of tables

|           |   |    |
|-----------|---|----|
| Table 1.  | Device summary . . . . .  | 1  |
| Table 2.  | STM32F411xC/xE features and peripheral counts . . . . .   | 12 |
| Table 3.  | Regulator ON/OFF and internal power supply supervisor availability. . . . .   | 25 |
| Table 4.  | Timer feature comparison . . . . .  | 27 |
| Table 5.  | Comparison of I2C analog and digital filters . . . . .  | 29 |
| Table 6.  | USART feature comparison . . . . .  | 30 |
| Table 7.  | Legend/abbreviations used in the pinout table . . . . .   | 38 |
| Table 8.  | STM32F411xC/xE pin definitions . . . . .  | 38 |
| Table 9.  | Alternate function mapping . . . . .  | 47 |
| Table 10. | STM32F411xC/xE<br>register boundary addresses . . . . .   | 53 |
| Table 11. | Voltage characteristics . . . . .   | 60 |
| Table 12. | Current characteristics . . . . .   | 61 |
| Table 13. | Thermal characteristics . . . . .   | 61 |
| Table 14. | General operating conditions . . . . .  | 62 |
| Table 15. | Features depending on the operating power supply range . . . . .  | 63 |
| Table 16. | VCAP_1/VCAP_2 operating conditions . . . . .  | 65 |
| Table 17. | Operating conditions at power-up / power-down (regulator ON) . . . . .  | 65 |
| Table 18. | Operating conditions at power-up / power-down (regulator OFF). . . . .  | 65 |
| Table 19. | Embedded reset and power control block characteristics. . . . .   | 66 |
| Table 20. | Typical and maximum current consumption, code with data processing (ART<br>accelerator disabled) running from SRAM - $V_{DD} = 1.7\text{ V}$ . . . . .                                    | 68 |
| Table 21. | Typical and maximum current consumption, code with data processing (ART<br>accelerator disabled) running from SRAM - $V_{DD} = 3.6\text{ V}$ . . . . .                                    | 69 |
| Table 22. | Typical and maximum current consumption in run mode, code with data processing<br>(ART accelerator enabled except prefetch) running from Flash memory- $V_{DD} = 1.7\text{ V}$ . . . . .  | 70 |
| Table 23. | Typical and maximum current consumption in run mode, code with data processing<br>(ART accelerator enabled except prefetch) running from Flash memory - $V_{DD} = 3.6\text{ V}$ . . . . . | 71 |
| Table 24. | Typical and maximum current consumption in run mode, code with data processing<br>(ART accelerator disabled) running from Flash memory - $V_{DD} = 3.6\text{ V}$ . . . . .                | 72 |
| Table 25. | Typical and maximum current consumption in run mode, code with data processing<br>(ART accelerator enabled with prefetch) running from Flash memory - $V_{DD} = 3.6\text{ V}$ . . . . .   | 73 |
| Table 26. | Typical and maximum current consumption in Sleep mode - $V_{DD} = 3.6\text{ V}$ . . . . .   | 74 |
| Table 27. | Typical and maximum current consumptions in Stop mode - $V_{DD} = 1.7\text{ V}$ . . . . .   | 74 |
| Table 28. | Typical and maximum current consumption in Stop mode - $V_{DD}=3.6\text{ V}$ . . . . .  | 75 |
| Table 29. | Typical and maximum current consumption in Standby mode - $V_{DD}= 1.7\text{ V}$ . . . . .  | 75 |
| Table 30. | Typical and maximum current consumption in Standby mode - $V_{DD}= 3.6\text{ V}$ . . . . .  | 75 |
| Table 31. | Typical and maximum current consumptions in $V_{BAT}$ mode. . . . .   | 76 |
| Table 32. | Switching output I/O current consumption . . . . .  | 78 |
| Table 33. | Peripheral current consumption . . . . .  | 79 |
| Table 34. | Low-power mode wakeup timings <sup>(1)</sup> . . . . .  | 82 |
| Table 35. | High-speed external user clock characteristics. . . . .   | 82 |
| Table 36. | Low-speed external user clock characteristics . . . . .   | 83 |
| Table 37. | HSE 4-26 MHz oscillator characteristics. . . . .  | 84 |
| Table 38. | LSE oscillator characteristics ( $f_{LSE} = 32.768\text{ kHz}$ ) . . . . .  | 85 |
| Table 39. | HSI oscillator characteristics . . . . .  | 86 |
| Table 40. | LSI oscillator characteristics . . . . .  | 87 |
| Table 41. | Main PLL characteristics. . . . .   | 88 |

|           |  |     |
|-----------|--|-----|
| Table 42. | PLLI2S (audio PLL) characteristics   | 89  |
| Table 43. | SSCG parameter constraints   | 90  |
| Table 44. | Flash memory characteristics   | 91  |
| Table 45. | Flash memory programming   | 92  |
| Table 46. | Flash memory programming with $V_{PP}$ voltage   | 92  |
| Table 47. | Flash memory endurance and data retention  | 93  |
| Table 48. | EMS characteristics for LQFP100 package  | 94  |
| Table 49. | EMI characteristics for LQFP100  | 95  |
| Table 50. | ESD absolute maximum ratings   | 95  |
| Table 51. | Electrical sensitivities   | 96  |
| Table 52. | I/O current injection susceptibility   | 96  |
| Table 53. | I/O static characteristics   | 97  |
| Table 54. | Output voltage characteristics   | 100 |
| Table 55. | I/O AC characteristics   | 101 |
| Table 56. | NRST pin characteristics   | 103 |
| Table 57. | TIMx characteristics   | 104 |
| Table 58. | I <sup>2</sup> C characteristics   | 105 |
| Table 59. | SCL frequency ( $f_{PCLK1} = 50$ MHz, $V_{DD} = V_{DD\_I2C} = 3.3$ V)                                  | 106 |
| Table 60. | SPI dynamic characteristics  | 107 |
| Table 61. | I <sup>2</sup> S dynamic characteristics   | 110 |
| Table 62. | USB OTG FS startup time  | 112 |
| Table 63. | USB OTG FS DC electrical characteristics   | 112 |
| Table 64. | USB OTG FS electrical characteristics  | 113 |
| Table 65. | ADC characteristics  | 113 |
| Table 66. | ADC accuracy at $f_{ADC} = 18$ MHz   | 115 |
| Table 67. | ADC accuracy at $f_{ADC} = 30$ MHz   | 115 |
| Table 68. | ADC accuracy at $f_{ADC} = 36$ MHz   | 115 |
| Table 69. | ADC dynamic accuracy at $f_{ADC} = 18$ MHz - limited test conditions                                   | 116 |
| Table 70. | ADC dynamic accuracy at $f_{ADC} = 36$ MHz - limited test conditions                                   | 116 |
| Table 71. | Temperature sensor characteristics   | 119 |
| Table 72. | Temperature sensor calibration values  | 119 |
| Table 73. | $V_{BAT}$ monitoring characteristics   | 120 |
| Table 74. | Embedded internal reference voltage  | 120 |
| Table 75. | Internal reference voltage calibration values  | 120 |
| Table 76. | Dynamic characteristics: SD / MMC characteristics  | 122 |
| Table 77. | Dynamic characteristics: eMMC characteristics $V_{DD} = 1.7$ V to 1.9 V                                | 123 |
| Table 78. | RTC characteristics  | 123 |
| Table 79. | WLCSP49 - 49-ball, 2.999 x 3.185 mm, 0.4 mm pitch wafer level chip scale package mechanical data       | 125 |
| Table 80. | WLCSP49 recommended PCB design rules (0.4 mm pitch)  | 126 |
| Table 81. | UFQFPN48 - 48-lead, 7 x 7 mm, 0.5 mm pitch, ultra thin fine pitch quad flat package mechanical data    | 127 |
| Table 82. | LQFP64 - 64-pin, 10 x 10 mm low-profile quad flat package mechanical data                              | 130 |
| Table 83. | LQPF100 - 100-pin, 14 x 14 mm, 100-pin low-profile quad flat package mechanical data                   | 134 |
| Table 84. | UFBGA100 - 100-ball, 7 x 7 mm, 0.50 mm pitch, ultra fine pitch ball grid array package mechanical data | 137 |
| Table 85. | UFBGA100 recommended PCB design rules (0.5 mm pitch BGA)   | 138 |
| Table 86. | Package thermal characteristics  | 140 |
| Table 87. | Ordering information scheme  | 141 |
| Table 88. | Limitations depending on the operating power supply range  | 142 |
| Table 89. | Document revision history  | 147 |

## List of figures

|            |   |     |
|------------|---|-----|
| Figure 1.  | Compatible board design for LQFP100 package   | 13  |
| Figure 2.  | Compatible board design for LQFP64 package  | 14  |
| Figure 3.  | STM32F411xC/xE block diagram  | 15  |
| Figure 4.  | Multi-AHB matrix  | 18  |
| Figure 5.  | Power supply supervisor interconnection with internal reset OFF   | 21  |
| Figure 6.  | Regulator OFF   | 23  |
| Figure 7.  | Startup in regulator OFF: slow $V_{DD}$ slope -<br>power-down reset risen after $V_{CAP\_1}/V_{CAP\_2}$ stabilization.      | 24  |
| Figure 8.  | Startup in regulator OFF mode: fast $V_{DD}$ slope -<br>power-down reset risen before $V_{CAP\_1}/V_{CAP\_2}$ stabilization | 24  |
| Figure 9.  | STM32F411xC/xE WLCSP49 pinout   | 33  |
| Figure 10. | STM32F411xC/xE UFQFPN48 pinout  | 34  |
| Figure 11. | STM32F411xC/xE LQFP64 pinout  | 35  |
| Figure 12. | STM32F411xC/xE LQFP100 pinout   | 36  |
| Figure 13. | STM32F411xC/xE UFBGA100 pinout  | 37  |
| Figure 14. | Memory map  | 53  |
| Figure 15. | Pin loading conditions  | 57  |
| Figure 16. | Input voltage measurement   | 58  |
| Figure 17. | Power supply scheme   | 59  |
| Figure 18. | Current consumption measurement scheme  | 60  |
| Figure 19. | External capacitor $C_{EXT}$  | 64  |
| Figure 20. | Typical $V_{BAT}$ current consumption (LSE in low-drive mode and RTC ON)  | 76  |
| Figure 21. | Low-power mode wakeup   | 81  |
| Figure 22. | High-speed external clock source AC timing diagram  | 83  |
| Figure 23. | Low-speed external clock source AC timing diagram   | 84  |
| Figure 24. | Typical application with an 8 MHz crystal   | 85  |
| Figure 25. | Typical application with a 32.768 kHz crystal   | 86  |
| Figure 26. | $ACC_{HSI}$ versus temperature  | 87  |
| Figure 27. | $ACC_{LSI}$ versus temperature  | 88  |
| Figure 28. | PLL output clock waveforms in center spread mode  | 91  |
| Figure 29. | PLL output clock waveforms in down spread mode  | 91  |
| Figure 30. | FT/TC I/O input characteristics   | 99  |
| Figure 31. | I/O AC characteristics definition   | 102 |
| Figure 32. | Recommended NRST pin protection   | 103 |
| Figure 33. | I <sup>2</sup> C bus AC waveforms and measurement circuit   | 106 |
| Figure 34. | SPI timing diagram - slave mode and CPHA = 0  | 108 |
| Figure 35. | SPI timing diagram - slave mode and CPHA = 1 <sup>(1)</sup>   | 109 |
| Figure 36. | SPI timing diagram - master mode <sup>(1)</sup>   | 109 |
| Figure 37. | I <sup>2</sup> S slave timing diagram (Philips protocol) <sup>(1)</sup>   | 111 |
| Figure 38. | I <sup>2</sup> S master timing diagram (Philips protocol) <sup>(1)</sup>  | 111 |
| Figure 39. | USB OTG FS timings: definition of data signal rise and fall time  | 113 |
| Figure 40. | ADC accuracy characteristics  | 117 |
| Figure 41. | Typical connection diagram using the ADC  | 117 |
| Figure 42. | Power supply and reference decoupling ( $V_{REF+}$ not connected to $V_{DDA}$ )   | 118 |
| Figure 43. | Power supply and reference decoupling ( $V_{REF+}$ connected to $V_{DDA}$ )   | 119 |
| Figure 44. | SDIO high-speed mode  | 121 |
| Figure 45. | SD default mode   | 121 |
| Figure 46. | WLCSP49 - 49-ball, 2.999 x 3.185 mm, 0.4 mm pitch wafer level   |     |



|            |   |     |
|------------|---|-----|
|            | chip scale package outline . . . . .  | 124 |
| Figure 47. | WLCSP49 - 49-ball, 2.999 x 3.185 mm, 0.4 mm pitch wafer level chip scale recommended footprint. . . . .       | 125 |
| Figure 48. | WLCSP49 marking (package top view) . . . . .  | 126 |
| Figure 49. | UFQFPN48 - 48-lead, 7 x 7 mm, 0.5 mm pitch, ultra thin fine pitch quad flat package outline . . . . .         | 127 |
| Figure 50. | UFQFPN48 - 48-lead, 7 x 7 mm, 0.5 mm pitch, ultra thin fine pitch quad flat recommended footprint . . . . .   | 128 |
| Figure 51. | UFQFPN48 marking example (package top view) . . . . .   | 129 |
| Figure 52. | LQFP64 - 64-pin, 10 x 10 mm low-profile quad flat package outline . . . . .                                   | 130 |
| Figure 53. | LQFP64 - 64-pin, 10 x 10 mm low-profile quad flat package recommended footprint. . . . .                      | 131 |
| Figure 54. | LQFP64 marking example (package top view). . . . .  | 132 |
| Figure 55. | LQFP100 - 100-pin, 14 x 14 mm, 100-pin low-profile quad flat package outline. . . . .                         | 133 |
| Figure 56. | LQFP100 - 100-pin, 14 x 14 mm, 100-pin low-profile quad flat recommended footprint. . . . .                   | 135 |
| Figure 57. | LQFP100 marking example (package top view) . . . . .  | 136 |
| Figure 58. | UFBGA100 - 100-ball, 7 x 7 mm, 0.50 mm pitch, ultra fine pitch ball grid array package outline . . . . .      | 137 |
| Figure 59. | UFBGA100 - 100-ball, 7 x 7 mm, 0.50 mm pitch, ultra fine pitch ball grid array recommended footprint. . . . . | 138 |
| Figure 60. | UFBGA100 marking example (package top view) . . . . .   | 139 |
| Figure 61. | USB controller configured as peripheral-only and used in Full-Speed mode . . . . .                            | 143 |
| Figure 62. | USB controller configured as host-only and used in Full-Speed mode. . . . .                                   | 143 |
| Figure 63. | USB controller configured in dual mode and used in Full-Speed mode . . . . .                                  | 144 |
| Figure 64. | Sensor Hub application example . . . . .  | 145 |
| Figure 65. | Batch Acquisition Mode (BAM) example . . . . .  | 146 |

# 1 Introduction

This datasheet provides the description of the STM32F411xC/xE microcontrollers.

The STM32F411xC/xE datasheet should be read in conjunction with RM0383 reference manual which is available from the STMicroelectronics website [www.st.com](http://www.st.com). It includes all information concerning Flash memory programming.

For information on the Cortex<sup>®</sup>-M4 core, please refer to the Cortex<sup>®</sup>-M4 programming manual (PM0214) available from [www.st.com](http://www.st.com).

arm

## 2 Description

The STM32F411xC/xE devices are based on the high-performance Arm® Cortex®-M4 32-bit RISC core operating at a frequency of up to 100 MHz. The Cortex®-M4 core features a Floating point unit (FPU) single precision which supports all Arm single-precision data-processing instructions and data types. It also implements a full set of DSP instructions and a memory protection unit (MPU) which enhances application security.

The STM32F411xC/xE belongs to the STM32 Dynamic Efficiency™ product line (with products combining power efficiency, performance and integration) while adding a new innovative feature called Batch Acquisition Mode (BAM) allowing to save even more power consumption during data batching.

The STM32F411xC/xE incorporate high-speed embedded memories (up to 512 Kbytes of Flash memory, 128 Kbytes of SRAM), and an extensive range of enhanced I/Os and peripherals connected to two APB buses, two AHB bus and a 32-bit multi-AHB bus matrix.

All devices offer one 12-bit ADC, a low-power RTC, six general-purpose 16-bit timers including one PWM timer for motor control, two general-purpose 32-bit timers. They also feature standard and advanced communication interfaces.

- Up to three I<sup>2</sup>Cs
- Five SPIs
- Five I<sup>2</sup>Ss out of which two are full duplex. To achieve audio class accuracy, the I<sup>2</sup>S peripherals can be clocked via a dedicated internal audio PLL or via an external clock to allow synchronization.
- Three USARTs
- SDIO interface
- USB 2.0 OTG full speed interface

The STM32F411xC/xE operate in the - 40 to + 125 °C temperature range from a 1.7 (PDR OFF) to 3.6 V power supply. A comprehensive set of power-saving mode allows the design of low-power applications.

These features make the STM32F411xC/xE microcontrollers suitable for a wide range of applications:

- Motor drive and application control
- Medical equipment
- Industrial applications: PLC, inverters, circuit breakers
- Printers, and scanners
- Alarm systems, video intercom, and HVAC
- Home audio appliances
- Mobile phone sensor hub

Table 2. STM32F411xC/xE features and peripheral counts

| Peripherals              |                       | STM32F411xC   |        |                     | STM32F411xE         |        |                     |
|--------------------------|-----------------------|---|--------|---------------------|---------------------|--------|---------------------|
| Flash memory in Kbytes   |                       | 256   |        |                     | 512                 |        |                     |
| SRAM in Kbytes           | System                | 128   |        |                     |                     |        |                     |
| Timers                   | General-purpose       | 7   |        |                     |                     |        |                     |
|                          | Advanced-control      | 1   |        |                     |                     |        |                     |
| Communication interfaces | SPI/ I <sup>2</sup> S | 5/5 (2 full duplex)   |        |                     |                     |        |                     |
|                          | I <sup>2</sup> C      | 3   |        |                     |                     |        |                     |
|                          | USART                 | 3   |        |                     |                     |        |                     |
|                          | SDIO                  | 1   |        |                     |                     |        |                     |
|                          | USB OTG FS            | 1   |        |                     |                     |        |                     |
| GPIOs                    |                       | 36  | 50     | 81                  | 36                  | 50     | 81                  |
| 12-bit ADC               |                       | 1   |        |                     |                     |        |                     |
| Number of channels       |                       | 10  | 16     |                     | 10                  | 16     |                     |
| Maximum CPU frequency    |                       | 100 MHz   |        |                     |                     |        |                     |
| Operating voltage        |                       | 1.7 to 3.6 V  |        |                     |                     |        |                     |
| Operating temperatures   |                       | Ambient temperatures: - 40 to +85 °C / - 40 to + 105 °C/ - 40 to + 125 °C |        |                     |                     |        |                     |
|                          |                       | Junction temperature: – 40 to + 130 °C                                    |        |                     |                     |        |                     |
| Package                  |                       | WLCSP49<br>UFQFPN48   | LQFP64 | UFBGA100<br>LQFP100 | WLCSP49<br>UFQFPN48 | LQFP64 | UFBGA100<br>LQFP100 |

## 2.1 Compatibility with STM32F4 Series

The STM32F411xC/xE are fully software and feature compatible with the STM32F4 series (STM32F42x, STM32F401, STM32F43x, STM32F41x, STM32F405 and STM32F407)

The STM32F411xC/xE can be used as drop-in replacement of the other STM32F4 products but some slight changes have to be done on the PCB board.

**Figure 1. Compatible board design for LQFP100 package**

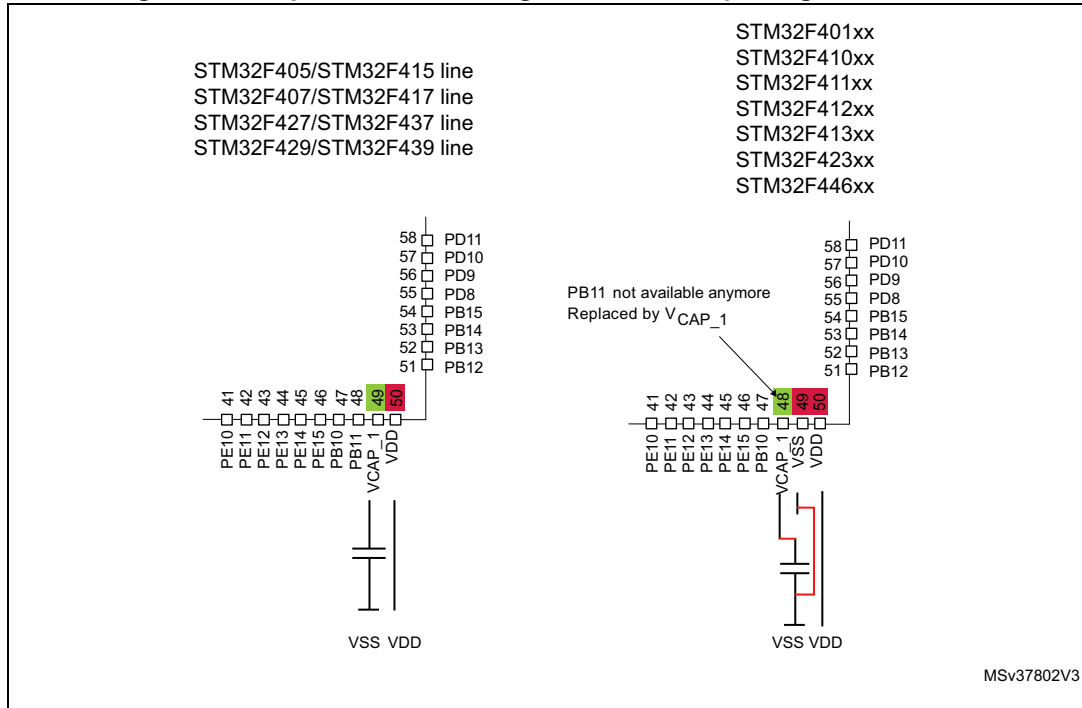


Figure 2. Compatible board design for LQFP64 package

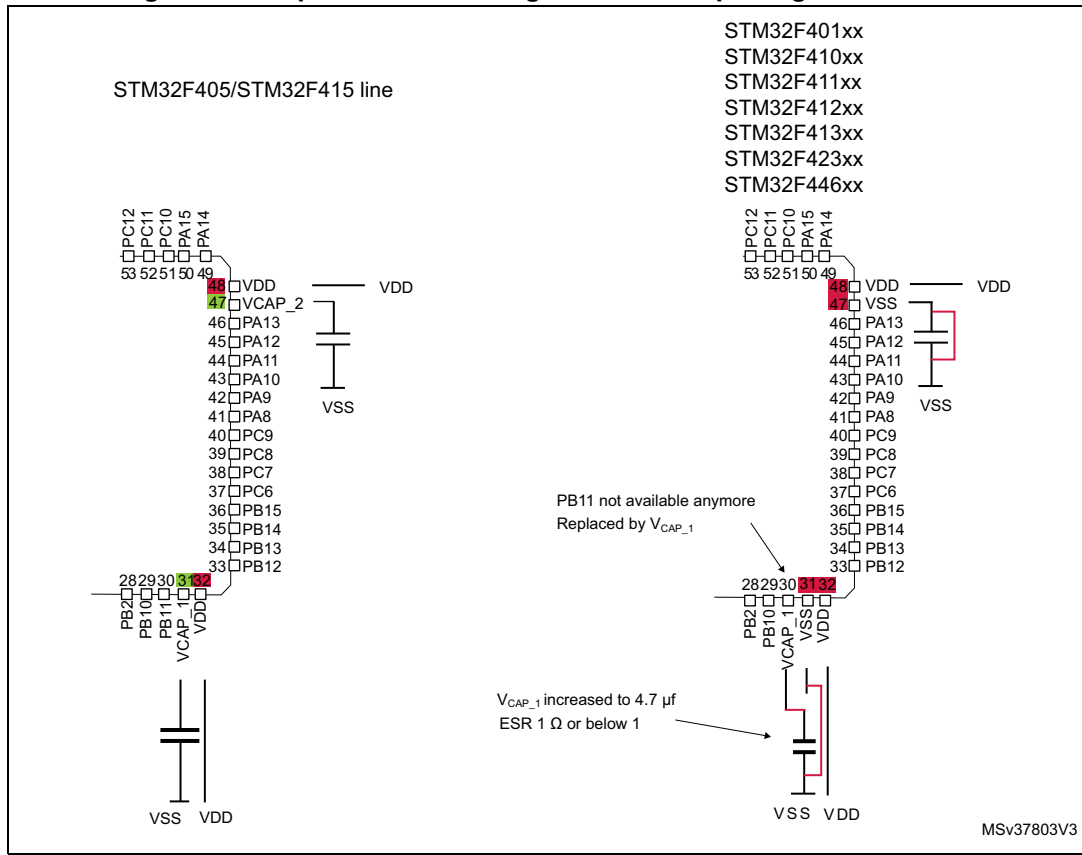
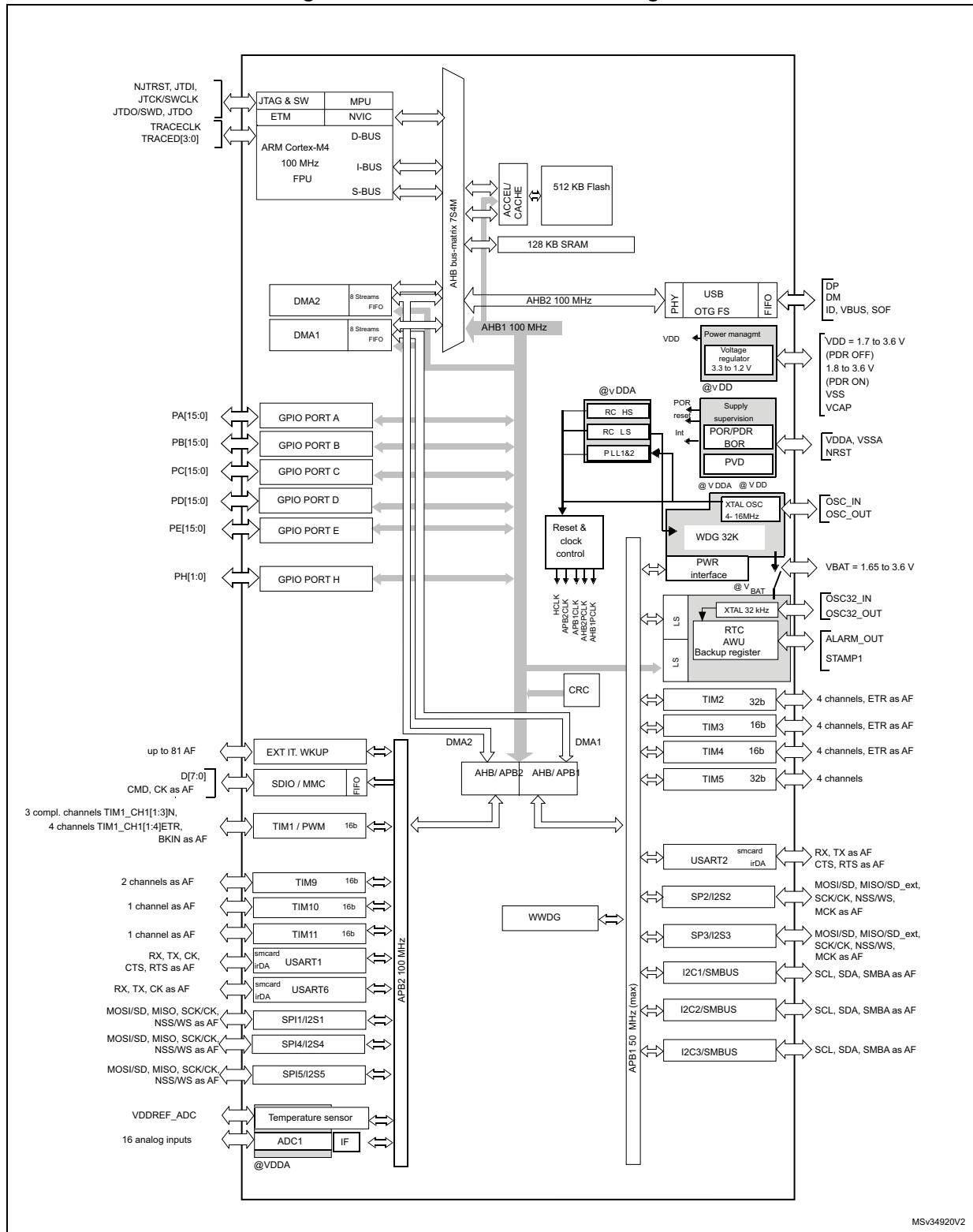


Figure 3. STM32F411xC/xE block diagram



MSV34920V2

1. The timers connected to APB2 are clocked from TIMxCLK up to 100 MHz, while the timers connected to APB1 are clocked from TIMxCLK up to 100 MHz.



## 3 Functional overview

### 3.1 Arm<sup>®</sup> Cortex<sup>®</sup>-M4 with FPU core with embedded Flash and SRAM

The Arm<sup>®</sup> Cortex<sup>®</sup>-M4 with FPU processor is the latest generation of Arm processors for embedded systems. It was developed to provide a low-cost platform that meets the needs of MCU implementation, with a reduced pin count and low-power consumption, while delivering outstanding computational performance and an advanced response to interrupts.

The Arm<sup>®</sup> Cortex<sup>®</sup>-M4 with FPU 32-bit RISC processor features exceptional code-efficiency, delivering the high-performance expected from an Arm core in the memory size usually associated with 8- and 16-bit devices. The processor supports a set of DSP instructions which allow efficient signal processing and complex algorithm execution. Its single precision FPU (floating point unit) speeds up software development by using metalanguage development tools, while avoiding saturation.

The STM32F411xC/xE devices are compatible with all Arm tools and software.

[Figure 3](#) shows the general block diagram of the STM32F411xC/xE.

*Note:* Cortex<sup>®</sup>-M4 with FPU is binary compatible with Cortex<sup>®</sup>-M3.

### 3.2 Adaptive real-time memory accelerator (ART Accelerator™)

The ART Accelerator™ is a memory accelerator which is optimized for STM32 industry-standard Arm<sup>®</sup> Cortex<sup>®</sup>-M4 with FPU processors. It balances the inherent performance advantage of the Arm<sup>®</sup> Cortex<sup>®</sup>-M4 with FPU over Flash memory technologies, which normally requires the processor to wait for the Flash memory at higher frequencies.

To release the processor full 105 DMIPS performance at this frequency, the accelerator implements an instruction prefetch queue and branch cache, which increases program execution speed from the -bit Flash memory. Based on CoreMark benchmark, the performance achieved thanks to the ART accelerator is equivalent to 0 wait state program execution from Flash memory at a CPU frequency up to 100 MHz.

### 3.3 Batch Acquisition mode (BAM)

The Batch acquisition mode allows enhanced power efficiency during data batching. It enables data acquisition through any communication peripherals directly to memory using the DMA in reduced power consumption as well as data processing while the rest of the system is in low-power mode (including the flash and ART). For example in an audio system, a smart combination of PDM audio sample acquisition and processing from the I2S directly to RAM (flash and ART™ stopped) with the DMA using BAM followed by some very short processing from flash allows to drastically reduce the power consumption of the application. A dedicated application note (AN4515) describes how to implement the BAM to allow the best power efficiency.



### 3.4 Memory protection unit

The memory protection unit (MPU) is used to manage the CPU accesses to memory to prevent one task to accidentally corrupt the memory or resources used by any other active task. This memory area is organized into up to 8 protected areas that can in turn be divided up into 8 subareas. The protection area sizes are between 32 bytes and the whole 4 gigabytes of addressable memory.

The MPU is especially helpful for applications where some critical or certified code has to be protected against the misbehavior of other tasks. It is usually managed by an RTOS (real-time operating system). If a program accesses a memory location that is prohibited by the MPU, the RTOS can detect it and take action. In an RTOS environment, the kernel can dynamically update the MPU area setting, based on the process to be executed.

The MPU is optional and can be bypassed for applications that do not need it.

### 3.5 Embedded Flash memory

The devices embed up to 512 Kbytes of Flash memory available for storing programs and data.

To optimize the power consumption the Flash memory can also be switched off in Run or in Sleep mode (see [Section 3.18: Low-power modes](#)). Two modes are available: Flash in Stop mode or in DeepSleep mode (trade off between power saving and startup time, see [Table 34: Low-power mode wakeup timings<sup>\(1\)</sup>](#)). Before disabling the Flash memory, the code must be executed from the internal RAM.

#### One-time programmable bytes

A one-time programmable area is available with 16 OTP blocks of 32 bytes. Each block can be individually locked.

(Additional information can be found in the product reference manual.)

### 3.6 CRC (cyclic redundancy check) calculation unit

The CRC (cyclic redundancy check) calculation unit is used to get a CRC code from a 32-bit data word and a fixed generator polynomial.

Among other applications, CRC-based techniques are used to verify data transmission or storage integrity. In the scope of the EN/IEC 60335-1 standard, they offer a means of verifying the Flash memory integrity. The CRC calculation unit helps compute a software signature during runtime, to be compared with a reference signature generated at link-time and stored at a given memory location.

### 3.7 Embedded SRAM

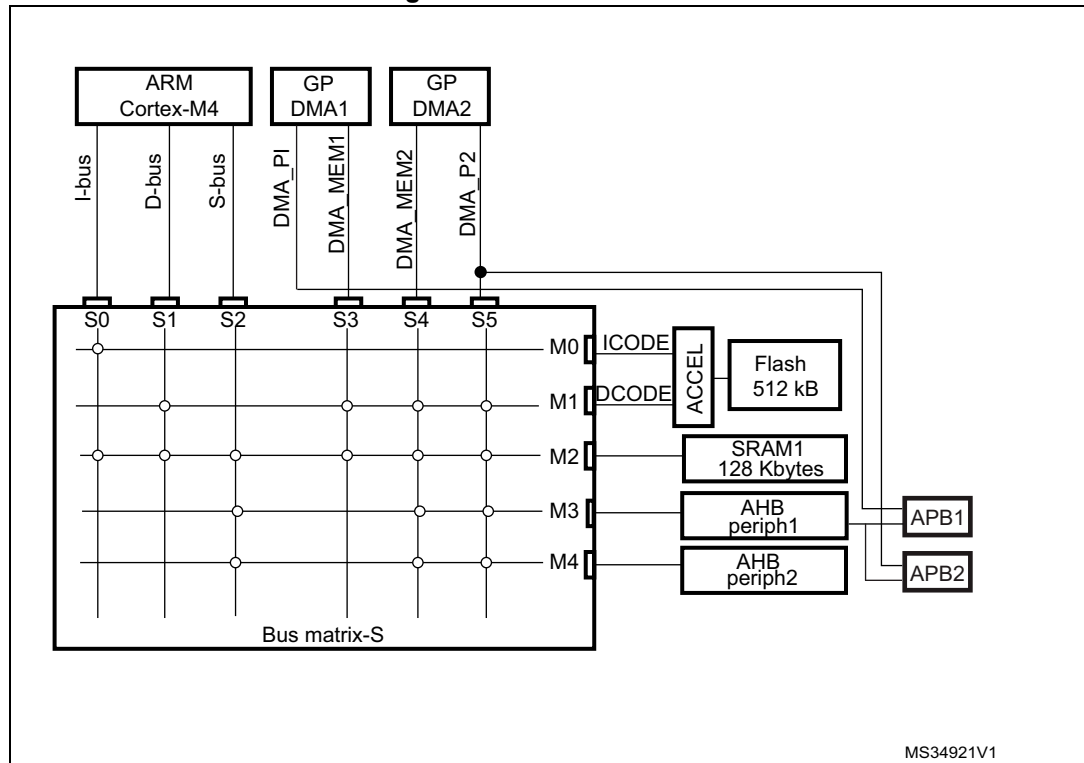
All devices embed:

- 128 Kbytes of system SRAM which can be accessed (read/write) at CPU clock speed with 0 wait states

### 3.8 Multi-AHB bus matrix

The 32-bit multi-AHB bus matrix interconnects all the masters (CPU, DMAs) and the slaves (Flash memory, RAM, AHB and APB peripherals) and ensures a seamless and efficient operation even when several high-speed peripherals work simultaneously.

Figure 4. Multi-AHB matrix



### 3.9 DMA controller (DMA)

The devices feature two general-purpose dual-port DMAs (DMA1 and DMA2) with 8 streams each. They are able to manage memory-to-memory, peripheral-to-memory and memory-to-peripheral transfers. They feature dedicated FIFOs for APB/AHB peripherals, support burst transfer and are designed to provide the maximum peripheral bandwidth (AHB/APB).

The two DMA controllers support circular buffer management, so that no specific code is needed when the controller reaches the end of the buffer. The two DMA controllers also have a double buffering feature, which automates the use and switching of two memory buffers without requiring any special code.

Each stream is connected to dedicated hardware DMA requests, with support for software trigger on each stream. Configuration is made by software and transfer sizes between source and destination are independent.

The DMA can be used with the main peripherals:

- SPI and I<sup>2</sup>S
- I<sup>2</sup>C
- USART
- General-purpose, basic and advanced-control timers TIMx
- SD/SDIO/MMC/eMMC host interface
- ADC

### 3.10 Nested vectored interrupt controller (NVIC)

The devices embed a nested vectored interrupt controller able to manage 16 priority levels, and handle up to 62 maskable interrupt channels plus the 16 interrupt lines of the Cortex<sup>®</sup>-M4 with FPU.

- Closely coupled NVIC gives low-latency interrupt processing
- Interrupt entry vector table address passed directly to the core
- Allows early processing of interrupts
- Processing of late arriving, higher-priority interrupts
- Support tail chaining
- Processor state automatically saved
- Interrupt entry restored on interrupt exit with no instruction overhead

This hardware block provides flexible interrupt management features with minimum interrupt latency.

### 3.11 External interrupt/event controller (EXTI)

The external interrupt/event controller consists of 21 edge-detector lines used to generate interrupt/event requests. Each line can be independently configured to select the trigger event (rising edge, falling edge, both) and can be masked independently. A pending register maintains the status of the interrupt requests. The EXTI can detect an external line with a pulse width shorter than the Internal APB2 clock period. Up to 81 GPIOs can be connected to the 16 external interrupt lines.

### 3.12 Clocks and startup

On reset the 16 MHz internal RC oscillator is selected as the default CPU clock. The 16 MHz internal RC oscillator is factory-trimmed to offer 1% accuracy at 25 °C. The application can then select as system clock either the RC oscillator or an external 4-26 MHz clock source. This clock can be monitored for failure. If a failure is detected, the system automatically switches back to the internal RC oscillator and a software interrupt is generated (if enabled). This clock source is input to a PLL thus allowing to increase the frequency up to 100 MHz. Similarly, full interrupt management of the PLL clock entry is available when necessary (for example if an indirectly used external oscillator fails).

Several prescalers allow the configuration of the two AHB buses, the high-speed APB (APB2) and the low-speed APB (APB1) domains. The maximum frequency of the two AHB

buses is 100 MHz while the maximum frequency of the high-speed APB domains is 100 MHz. The maximum allowed frequency of the low-speed APB domain is 50 MHz.

The devices embed a dedicated PLL (PLL12S) which allows to achieve audio class performance. In this case, the I<sup>2</sup>S master clock can generate all standard sampling frequencies from 8 kHz to 192 kHz.

### 3.13 Boot modes

At startup, boot pins are used to select one out of three boot options:

- Boot from user Flash
- Boot from system memory
- Boot from embedded SRAM

The bootloader is located in system memory. It is used to reprogram the Flash memory by using USART1(PA9/10), USART2(PD5/6), USB OTG FS in device mode (PA11/12) through DFU (device firmware upgrade), I2C1(PB6/7), I2C2(PB10/3), I2C3(PA8/PB4), SPI1(PA4/5/6/7), SPI2(PB12/13/14/15) or SPI3(PA15, PC10/11/12).

For more detailed information on the bootloader, refer to Application Note: AN2606, *STM32 microcontroller system memory boot mode*.

### 3.14 Power supply schemes

- VDD = 1.7 to 3.6 V: external power supply for I/Os with the internal supervisor (POR/PDR) disabled, provided externally through VDD pins. Requires the use of an external power supply supervisor connected to the VDD and NRST pins.
- V<sub>SSA</sub>, V<sub>DDA</sub> = 1.7 to 3.6 V: external analog power supplies for ADC, Reset blocks, RCs and PLL. V<sub>DDA</sub> and V<sub>SSA</sub> must be connected to V<sub>DD</sub> and V<sub>SS</sub>, respectively, with decoupling technique.
- V<sub>BAT</sub> = 1.65 to 3.6 V: power supply for RTC, external clock 32 kHz oscillator and backup registers (through power switch) when V<sub>DD</sub> is not present.

Refer to [Figure 17: Power supply scheme](#) for more details.

### 3.15 Power supply supervisor

#### 3.15.1 Internal reset ON

This feature is available for  $V_{DD}$  operating voltage range 1.8 V to 3.6 V.

The internal power supply supervisor is enabled by holding PDR\_ON high.

The devices have an integrated power-on reset (POR) / power-down reset (PDR) circuitry coupled with a Brownout reset (BOR) circuitry. At power-on, POR is always active, and ensures proper operation starting from 1.8 V. After the 1.8 V POR threshold level is reached, the option byte loading process starts, either to confirm or modify default thresholds, or to disable BOR permanently. Three BOR thresholds are available through option bytes.

The devices remain in reset mode when  $V_{DD}$  is below a specified threshold,  $V_{POR/PDR}$  or  $V_{BOR}$ , without the need for an external reset circuit.

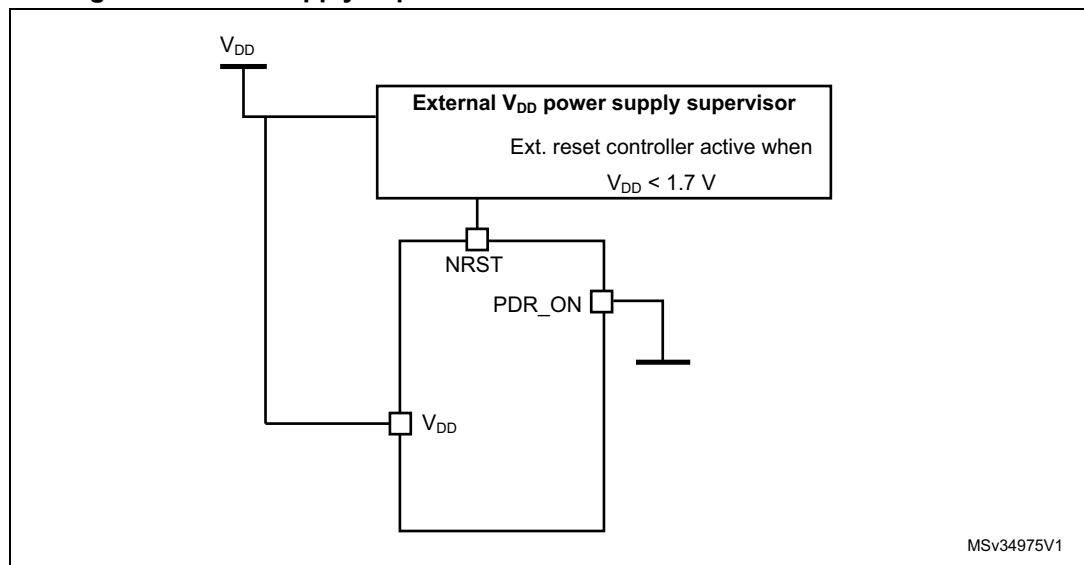
The devices also feature an embedded programmable voltage detector (PVD) that monitors the  $V_{DD}/V_{DDA}$  power supply and compares it to the  $V_{PVD}$  threshold. An interrupt can be generated when  $V_{DD}/V_{DDA}$  drops below the  $V_{PVD}$  threshold and/or when  $V_{DD}/V_{DDA}$  is higher than the  $V_{PVD}$  threshold. The interrupt service routine can then generate a warning message and/or put the MCU into a safe state. The PVD is enabled by software.

#### 3.15.2 Internal reset OFF

This feature is available only on packages featuring the PDR\_ON pin. The internal power-on reset (POR) / power-down reset (PDR) circuitry is disabled by setting the PDR\_ON pin to low.

An external power supply supervisor should monitor  $V_{DD}$  and should set the device in reset mode when  $V_{DD}$  is below 1.7 V. NRST should be connected to this external power supply supervisor. Refer to [Figure 5: Power supply supervisor interconnection with internal reset OFF](#).

**Figure 5. Power supply supervisor interconnection with internal reset OFF<sup>(1)</sup>**



1. The PRD\_ON pin is only available on the WLCSP49 and UFBGA100 packages.

A comprehensive set of power-saving mode allows to design low-power applications.

When the internal reset is OFF, the following integrated features are no longer supported:

- The integrated power-on reset (POR) / power-down reset (PDR) circuitry is disabled.
- The brownout reset (BOR) circuitry must be disabled.
- The embedded programmable voltage detector (PVD) is disabled.
- $V_{BAT}$  functionality is no more available and VBAT pin should be connected to  $V_{DD}$ .

## 3.16 Voltage regulator

The regulator has four operating modes:

- Regulator ON
  - Main regulator mode (MR)
  - Low power regulator (LPR)
  - Power-down
- Regulator OFF

### 3.16.1 Regulator ON

On packages embedding the BYPASS\_REG pin, the regulator is enabled by holding BYPASS\_REG low. On all other packages, the regulator is always enabled.

There are three power modes configured by software when the regulator is ON:

- MR is used in the nominal regulation mode (With different voltage scaling in Run)  
In Main regulator mode (MR mode), different voltage scaling are provided to reach the best compromise between maximum frequency and dynamic power consumption.
- LPR is used in the Stop modes  
The LP regulator mode is configured by software when entering Stop mode.
- Power-down is used in Standby mode.  
The Power-down mode is activated only when entering in Standby mode. The regulator output is in high impedance and the kernel circuitry is powered down, inducing zero consumption. The contents of the registers and SRAM are lost.

Depending on the package, one or two external ceramic capacitors should be connected on the  $V_{CAP\_1}$  and  $V_{CAP\_2}$  pins. The  $V_{CAP\_2}$  pin is only available for the LQFP100 and UFBGA100 packages.

All packages have the regulator ON feature.

### 3.16.2 Regulator OFF

The Regulator OFF is available only on the UFBGA100, which features the BYPASS\_REG pin. The regulator is disabled by holding BYPASS\_REG high. The regulator OFF mode allows to supply externally a V12 voltage source through  $V_{CAP\_1}$  and  $V_{CAP\_2}$  pins.

Since the internal voltage scaling is not managed internally, the external voltage value must be aligned with the targeted maximum frequency. Refer to [Table 14: General operating conditions](#).

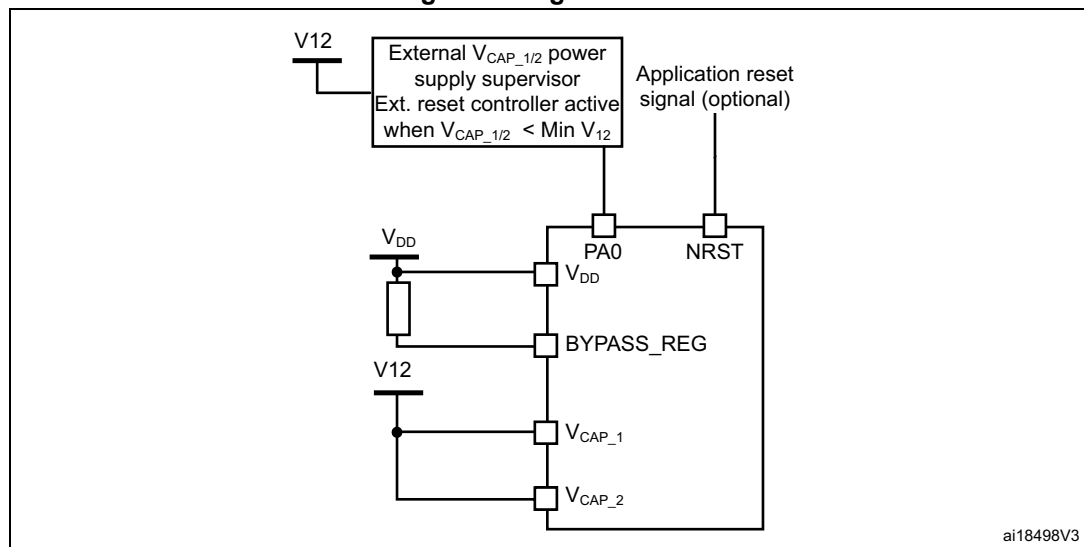
The two 2.2  $\mu\text{F}$   $V_{CAP}$  ceramic capacitors should be replaced by two 100 nF decoupling capacitors. Refer to [Figure 17: Power supply scheme](#).

When the regulator is OFF, there is no more internal monitoring on V12. An external power supply supervisor should be used to monitor the V12 of the logic power domain. PA0 pin should be used for this purpose, and act as power-on reset on V12 power domain.

In regulator OFF mode, the following features are no more supported:

- PA0 cannot be used as a GPIO pin since it allows to reset a part of the V12 logic power domain which is not reset by the NRST pin.
- As long as PA0 is kept low, the debug mode cannot be used under power-on reset. As a consequence, PA0 and NRST pins must be managed separately if the debug connection under reset or pre-reset is required.

Figure 6. Regulator OFF

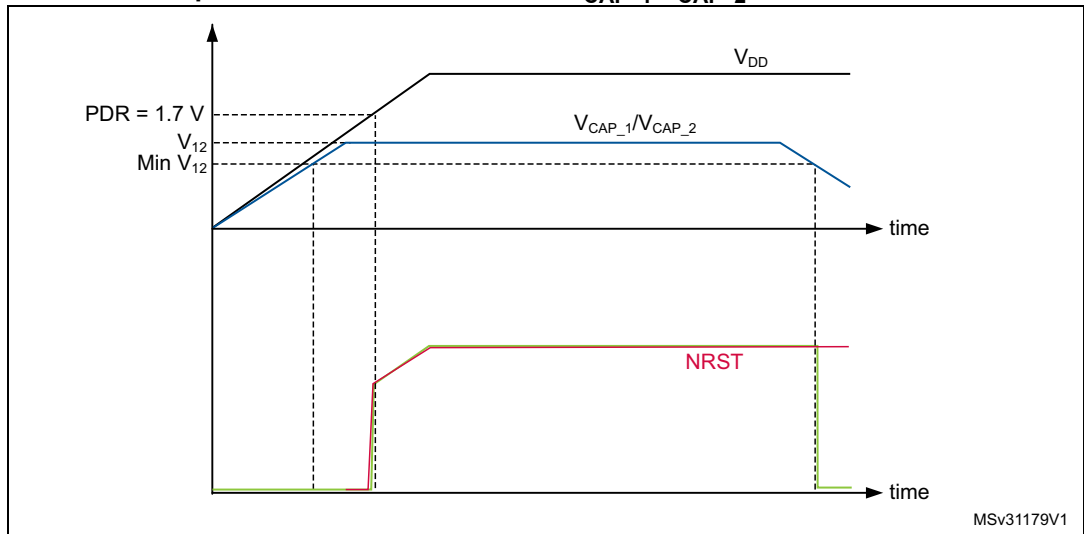


The following conditions must be respected:

- $V_{DD}$  should always be higher than  $V_{CAP\_1}$  and  $V_{CAP\_2}$  to avoid current injection between power domains.
- If the time for  $V_{CAP\_1}$  and  $V_{CAP\_2}$  to reach  $V_{12}$  minimum value is faster than the time for  $V_{DD}$  to reach 1.7 V, then PA0 should be kept low to cover both conditions: until  $V_{CAP\_1}$  and  $V_{CAP\_2}$  reach  $V_{12}$  minimum value and until  $V_{DD}$  reaches 1.7 V (see [Figure 7](#)).
- Otherwise, if the time for  $V_{CAP\_1}$  and  $V_{CAP\_2}$  to reach  $V_{12}$  minimum value is slower than the time for  $V_{DD}$  to reach 1.7 V, then PA0 could be asserted low externally (see [Figure 8](#)).
- If  $V_{CAP\_1}$  and  $V_{CAP\_2}$  go below  $V_{12}$  minimum value and  $V_{DD}$  is higher than 1.7 V, then a reset must be asserted on PA0 pin.

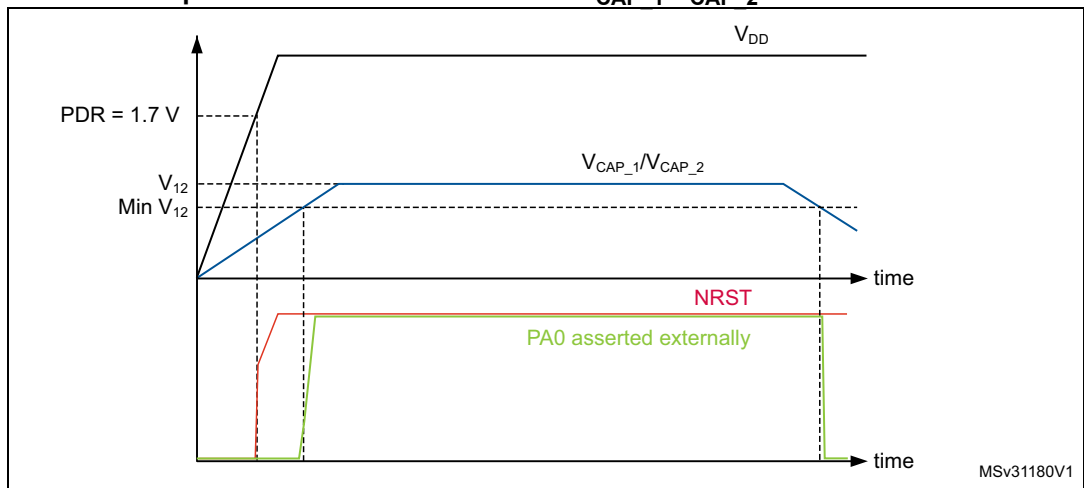
*Note:* The minimum value of  $V_{12}$  depends on the maximum frequency targeted in the application

**Figure 7. Startup in regulator OFF: slow  $V_{DD}$  slope - power-down reset risen after  $V_{CAP\_1}/V_{CAP\_2}$  stabilization**



1. This figure is valid whatever the internal reset mode (ON or OFF).

**Figure 8. Startup in regulator OFF mode: fast  $V_{DD}$  slope - power-down reset risen before  $V_{CAP\_1}/V_{CAP\_2}$  stabilization**



1. This figure is valid whatever the internal reset mode (ON or OFF).



### 3.16.3 Regulator ON/OFF and internal power supply supervisor availability

Table 3. Regulator ON/OFF and internal power supply supervisor availability

| Package  | Regulator ON                 | Regulator OFF                | Power supply supervisor ON | Power supply supervisor OFF                   |
|----------|------------------------------|------------------------------|----------------------------|---|
| UFQFPN48 | Yes                          | No                           | Yes                        | No  |
| WLCSP49  | Yes                          | No                           | Yes<br>PDR_ON set to VDD   | Yes<br>PDR_ON external control <sup>(1)</sup> |
| LQFP64   | Yes                          | No                           | Yes                        | No  |
| LQFP100  | Yes                          | No                           | Yes                        | No  |
| UFBGA100 | Yes<br>BYPASS_REG set to VSS | Yes<br>BYPASS_REG set to VDD | Yes<br>PDR_ON set to VDD   | Yes<br>PDR_ON external control <sup>(1)</sup> |

1. Refer to [Section 3.15: Power supply supervisor](#)

## 3.17 Real-time clock (RTC) and backup registers

The backup domain includes:

- The real-time clock (RTC)
- 20 backup registers

The real-time clock (RTC) is an independent BCD timer/counter. Dedicated registers contain the second, minute, hour (in 12/24 hour), week day, date, month, year, in BCD (binary-coded decimal) format. Correction for 28, 29 (leap year), 30, and 31 day of the month are performed automatically. The RTC features a reference clock detection, a more precise second source clock (50 or 60 Hz) can be used to enhance the calendar precision. The RTC provides a programmable alarm and programmable periodic interrupts with wakeup from Stop and Standby modes. The sub-seconds value is also available in binary format.

It is clocked by a 32.768 kHz external crystal, resonator or oscillator, the internal low-power RC oscillator or the high-speed external clock divided by 128. The internal low-speed RC has a typical frequency of 32 kHz. The RTC can be calibrated using an external 512 Hz output to compensate for any natural quartz deviation.

Two alarm registers are used to generate an alarm at a specific time and calendar fields can be independently masked for alarm comparison. To generate a periodic interrupt, a 16-bit programmable binary auto-reload downcounter with programmable resolution is available and allows automatic wakeup and periodic alarms from every 120  $\mu$ s to every 36 hours.

A 20-bit prescaler is used for the time base clock. It is by default configured to generate a time base of 1 second from a clock at 32.768 kHz.

The backup registers are 32-bit registers used to store 80 bytes of user application data when  $V_{DD}$  power is not present. Backup registers are not reset by a system, a power reset, or when the device wakes up from the Standby mode (see [Section 3.18: Low-power modes](#)).

Additional 32-bit registers contain the programmable alarm subseconds, seconds, minutes, hours, day, and date.

The RTC and backup registers are supplied through a switch that is powered either from the  $V_{DD}$  supply when present or from the  $V_{BAT}$  pin.

### 3.18 Low-power modes

The devices support three low-power modes to achieve the best compromise between low power consumption, short startup time and available wakeup sources:

- **Sleep mode**

In Sleep mode, only the CPU is stopped. All peripherals continue to operate and can wake up the CPU when an interrupt/event occurs.

To further reduce the power consumption, the Flash memory can be switched off before entering in Sleep mode. Note that this requires a code execution from the RAM.

- **Stop mode**

The Stop mode achieves the lowest power consumption while retaining the contents of SRAM and registers. All clocks in the 1.2 V domain are stopped, the PLL, the HSI RC and the HSE crystal oscillators are disabled. The voltage regulator can also be put either in normal or in low-power mode.

The devices can be woken up from the Stop mode by any of the EXTI line (the EXTI line source can be one of the 16 external lines, the PVD output, the RTC alarm/ wakeup/ tamper/ time stamp events).

- **Standby mode**

The Standby mode is used to achieve the lowest power consumption. The internal voltage regulator is switched off so that the entire 1.2 V domain is powered off. The PLL, the HSI RC and the HSE crystal oscillators are also switched off. After entering Standby mode, the SRAM and register contents are lost except for registers in the backup domain when selected.

The devices exit the Standby mode when an external reset (NRST pin), an IWDG reset, a rising edge on the WKUP pin, or an RTC alarm/ wakeup/ tamper/time stamp event occurs.

Standby mode is not supported when the embedded voltage regulator is bypassed and the 1.2 V domain is controlled by an external power.

### 3.19 $V_{BAT}$ operation

The VBAT pin allows to power the device  $V_{BAT}$  domain from an external battery, an external super-capacitor, or from  $V_{DD}$  when no external battery and an external super-capacitor are present.

$V_{BAT}$  operation is activated when  $V_{DD}$  is not present.

The VBAT pin supplies the RTC and the backup registers.

*Note:* When the microcontroller is supplied from VBAT, external interrupts and RTC alarm/events do not exit it from  $V_{BAT}$  operation. When PDR\_ON pin is not connected to  $V_{DD}$  (internal Reset OFF), the  $V_{BAT}$  functionality is no more available and VBAT pin should be connected to  $V_{DD}$ .

### 3.20 Timers and watchdogs

The devices embed one advanced-control timer, seven general-purpose timers and two watchdog timers.

All timer counters can be frozen in debug mode.

[Table 4](#) compares the features of the advanced-control and general-purpose timers.

**Table 4. Timer feature comparison**

| Timer type       | Timer        | Counter resolution | Counter type      | Prescaler factor                | DMA request generation | Capture/compare channels | Complementary output | Max. interface clock (MHz) | Max. timer clock (MHz) |
|------------------|--------------|--------------------|-------------------|---------------------------------|------------------------|--------------------------|----------------------|----------------------------|------------------------|
| Advanced-control | TIM1         | 16-bit             | Up, Down, Up/down | Any integer between 1 and 65536 | Yes                    | 4                        | Yes                  | 100                        | 100                    |
| General purpose  | TIM2, TIM5   | 32-bit             | Up, Down, Up/down | Any integer between 1 and 65536 | Yes                    | 4                        | No                   | 50                         | 100                    |
|                  | TIM3, TIM4   | 16-bit             | Up, Down, Up/down | Any integer between 1 and 65536 | Yes                    | 4                        | No                   | 50                         | 100                    |
|                  | TIM9         | 16-bit             | Up                | Any integer between 1 and 65536 | No                     | 2                        | No                   | 100                        | 100                    |
|                  | TIM10, TIM11 | 16-bit             | Up                | Any integer between 1 and 65536 | No                     | 1                        | No                   | 100                        | 100                    |

#### 3.20.1 Advanced-control timers (TIM1)

The advanced-control timer (TIM1) can be seen as three-phase PWM generators multiplexed on 4 independent channels. It has complementary PWM outputs with programmable inserted dead times. It can also be considered as a complete general-purpose timer. Its 4 independent channels can be used for:

- Input capture
- Output compare
- PWM generation (edge- or center-aligned modes)
- One-pulse mode output

If configured as standard 16-bit timers, it has the same features as the general-purpose TIMx timers. If configured as a 16-bit PWM generator, it has full modulation capability (0-100%).

The advanced-control timer can work together with the TIMx timers via the Timer Link feature for synchronization or event chaining.

TIM1 supports independent DMA request generation.

### 3.20.2 General-purpose timers (TIMx)

There are seven synchronizable general-purpose timers embedded in the STM32F411xC/xE (see [Table 4](#) for differences).

- **TIM2, TIM3, TIM4, TIM5**

The STM32F411xC/xE devices are 4 full-featured general-purpose timers: TIM2, TIM5, TIM3, and TIM4. The TIM2 and TIM5 timers are based on a 32-bit auto-reload up/downcounter and a 16-bit prescaler. The TIM3 and TIM4 timers are based on a 16-bit auto-reload up/downcounter and a 16-bit prescaler. They all feature four independent channels for input capture/output compare, PWM or one-pulse mode output. This gives up to 15 input capture/output compare/PWMs.

The TIM2, TIM3, TIM4, TIM5 general-purpose timers can work together, or with the other general-purpose timers and the advanced-control timer TIM1 via the Timer Link feature for synchronization or event chaining.

Any of these general-purpose timers can be used to generate PWM outputs.

TIM2, TIM3, TIM4, TIM5 all have independent DMA request generation. They are capable of handling quadrature (incremental) encoder signals and the digital outputs from 1 to 4 hall-effect sensors.

- **TIM9, TIM10 and TIM11**

These timers are based on a 16-bit auto-reload upcounter and a 16-bit prescaler. TIM10 and TIM11 feature one independent channel, whereas TIM9 has two independent channels for input capture/output compare, PWM or one-pulse mode output. They can be synchronized with the TIM2, TIM3, TIM4, TIM5 full-featured general-purpose timers. They can also be used as simple time bases.

### 3.20.3 Independent watchdog

The independent watchdog is based on a 12-bit downcounter and 8-bit prescaler. It is clocked from an independent 32 kHz internal RC and as it operates independently from the main clock, it can operate in Stop and Standby modes. It can be used either as a watchdog to reset the device when a problem occurs, or as a free-running timer for application timeout management. It is hardware- or software-configurable through the option bytes.

### 3.20.4 Window watchdog

The window watchdog is based on a 7-bit downcounter that can be set as free-running. It can be used as a watchdog to reset the device when a problem occurs. It is clocked from the main clock. It has an early warning interrupt capability and the counter can be frozen in debug mode.

### 3.20.5 SysTick timer

This timer is dedicated to real-time operating systems, but could also be used as a standard downcounter. It features:

- A 24-bit downcounter
- Autoreload capability
- Maskable system interrupt generation when the counter reaches 0
- Programmable clock source.

### 3.21 Inter-integrated circuit interface (I<sup>2</sup>C)

Up to three I<sup>2</sup>C bus interfaces can operate in multimaster and slave modes. They can support the standard (up to 100 kHz) and fast (up to 400 kHz) modes. The I2C bus frequency can be increased up to 1 MHz. For more details about the complete solution, please contact your local ST sales representative. They also support the 7/10-bit addressing mode and the 7-bit dual addressing mode (as slave). A hardware CRC generation/verification is embedded.

They can be served by DMA and they support SMBus 2.0/PMBus.

The devices also include programmable analog and digital noise filters (see [Table 5](#)).

**Table 5. Comparison of I2C analog and digital filters**

|                                  | Analog filter | Digital filter   |
|----------------------------------|---------------|--|
| Pulse width of suppressed spikes | ≥ 50 ns       | Programmable length from 1 to 15 I2C peripheral clocks |

### 3.22 Universal synchronous/asynchronous receiver transmitters (USART)

The devices embed three universal synchronous/asynchronous receiver transmitters (USART1, USART2 and USART6).

These three interfaces provide asynchronous communication, IrDA SIR ENDEC support, multiprocessor communication mode, single-wire half-duplex communication mode and have LIN Master/Slave capability. The USART1 and USART6 interfaces are able to communicate at speeds of up to 12.5 Mbit/s. The USART2 interface communicates at up to 6.25 bit/s.

USART1 and USART2 also provide hardware management of the CTS and RTS signals, Smart Card mode (ISO 7816 compliant) and SPI-like communication capability. All interfaces can be served by the DMA controller.

Table 6. USART feature comparison

| USART name | Standard features | Modem (RTS/CTS) | LIN | SPI master | IrDA | Smartcard (ISO 7816) | Max. baud rate in Mbit/s (oversampling by 16) | Max. baud rate in Mbit/s (oversampling by 8) | APB mapping         |
|------------|-------------------|-----------------|-----|------------|------|----------------------|---|--|---------------------|
| USART1     | X                 | X               | X   | X          | X    | X                    | 6.25  | 12.5   | APB2 (max. 100 MHz) |
| USART2     | X                 | X               | X   | X          | X    | X                    | 3.12  | 6.25   | APB1 (max. 50 MHz)  |
| USART6     | X                 | N.A             | X   | X          | X    | X                    | 6.25  | 12.5   | APB2 (max. 100 MHz) |

### 3.23 Serial peripheral interface (SPI)

The devices feature five SPIs in slave and master modes in full-duplex and simplex communication modes. SPI1, SPI4 and SPI5 can communicate at up to 50 Mbit/s, SPI2 and SPI3 can communicate at up to 25 Mbit/s. The 3-bit prescaler gives 8 master mode frequencies and the frame is configurable to 8 bits or 16 bits. The hardware CRC generation/verification supports basic SD Card/MMC modes. All SPIs can be served by the DMA controller.

The SPI interface can be configured to operate in TI mode for communications in master mode and slave mode.

### 3.24 Inter-integrated sound (I<sup>2</sup>S)

Five standard I<sup>2</sup>S interfaces (multiplexed with SPI1 to SPI5) are available. They can be operated in master or slave mode, in simplex communication modes and full duplex for I2S2 and I2S3 and can be configured to operate with a 16-/32-bit resolution as an input or output channel. All the I2Sx audio sampling frequencies from 8 kHz up to 192 kHz are supported. When either or both of the I<sup>2</sup>S interfaces is/are configured in master mode, the master clock can be output to the external DAC/CODEC at 256 times the sampling frequency.

All I<sup>2</sup>Sx can be served by the DMA controller.

### 3.25 Audio PLL (PLLI2S)

The devices feature an additional dedicated PLL for audio I<sup>2</sup>S application. It allows to achieve error-free I<sup>2</sup>S sampling clock accuracy without compromising on the CPU performance.

The PLLI2S configuration can be modified to manage an I<sup>2</sup>S sample rate change without disabling the main PLL (PLL) used for the CPU.

The audio PLL can be programmed with very low error to obtain sampling rates ranging from 8 kHz to 192 kHz.

In addition to the audio PLL, a master clock input pin can be used to synchronize the I2S flow with an external PLL (or Codec output).

### 3.26 Secure digital input/output interface (SDIO)

An SD/SDIO/MMC/eMMC host interface is available, that supports MultiMediaCard System Specification Version 4.2 in three different databus modes: 1-bit (default), 4-bit and 8-bit.

The interface allows data transfer at up to 50 MHz, and is compliant with the SD Memory Card Specification Version 2.0.

The SDIO Card Specification Version 2.0 is also supported with two different databus modes: 1-bit (default) and 4-bit.

The current version supports only one SD/SDIO/MMC4.2 card at any one time and a stack of MMC4.1 or previous.

In addition to SD/SDIO/MMC/eMMC, this interface is fully compliant with the CE-ATA digital protocol Rev1.1.

### 3.27 Universal serial bus on-the-go full-speed (OTG\_FS)

The devices embed an USB OTG full-speed device/host/OTG peripheral with integrated transceivers. The USB OTG FS peripheral is compliant with the USB 2.0 specification and with the OTG 1.0 specification. It has software-configurable endpoint setting and supports suspend/resume. The USB OTG full-speed controller requires a dedicated 48 MHz clock that is generated by a PLL connected to the HSE oscillator. The major features are:

- Combined Rx and Tx FIFO size of 320 × 35 bits with dynamic FIFO sizing
- Supports the session request protocol (SRP) and host negotiation protocol (HNP)
- 4 bidirectional endpoints
- 8 host channels with periodic OUT support
- HNP/SNP/IP inside (no need for any external resistor)
- For OTG/Host modes, a power switch is needed in case bus-powered devices are connected

### 3.28 General-purpose input/outputs (GPIOs)

Each of the GPIO pins can be configured by software as output (push-pull or open-drain, with or without pull-up or pull-down), as input (floating, with or without pull-up or pull-down) or as peripheral alternate function. Most of the GPIO pins are shared with digital or analog alternate functions. All GPIOs are high-current-capable and have speed selection to better manage internal noise, power consumption and electromagnetic emission.

The I/O configuration can be locked if needed by following a specific sequence in order to avoid spurious writing to the I/Os registers.

Fast I/O handling allowing maximum I/O toggling up to 100 MHz.

### 3.29 Analog-to-digital converter (ADC)

One 12-bit analog-to-digital converter is embedded and shares up to 16 external channels, performing conversions in the single-shot or scan mode. In scan mode, automatic conversion is performed on a selected group of analog inputs.

The ADC can be served by the DMA controller. An analog watchdog feature allows very precise monitoring of the converted voltage of one, some or all selected channels. An interrupt is generated when the converted voltage is outside the programmed thresholds.

To synchronize A/D conversion and timers, the ADCs could be triggered by any of TIM1, TIM2, TIM3, TIM4 or TIM5 timer.

### 3.30 Temperature sensor

The temperature sensor has to generate a voltage that varies linearly with temperature. The conversion range is between 1.7 V and 3.6 V. The temperature sensor is internally connected to the ADC\_IN18 input channel which is used to convert the sensor output voltage into a digital value. Refer to the reference manual for additional information.

As the offset of the temperature sensor varies from chip to chip due to process variation, the internal temperature sensor is mainly suitable for applications that detect temperature changes instead of absolute temperatures. If an accurate temperature reading is needed, then an external temperature sensor part should be used.

### 3.31 Serial wire JTAG debug port (SWJ-DP)

The Arm SWJ-DP interface is embedded, and is a combined JTAG and serial wire debug port that enables either a serial wire debug or a JTAG probe to be connected to the target.

Debug is performed using 2 pins only instead of 5 required by the JTAG (JTAG pins could be re-use as GPIO with alternate function): the JTAG TMS and TCK pins are shared with SWDIO and SWCLK, respectively, and a specific sequence on the TMS pin is used to switch between JTAG-DP and SW-DP.

### 3.32 Embedded Trace Macrocell™

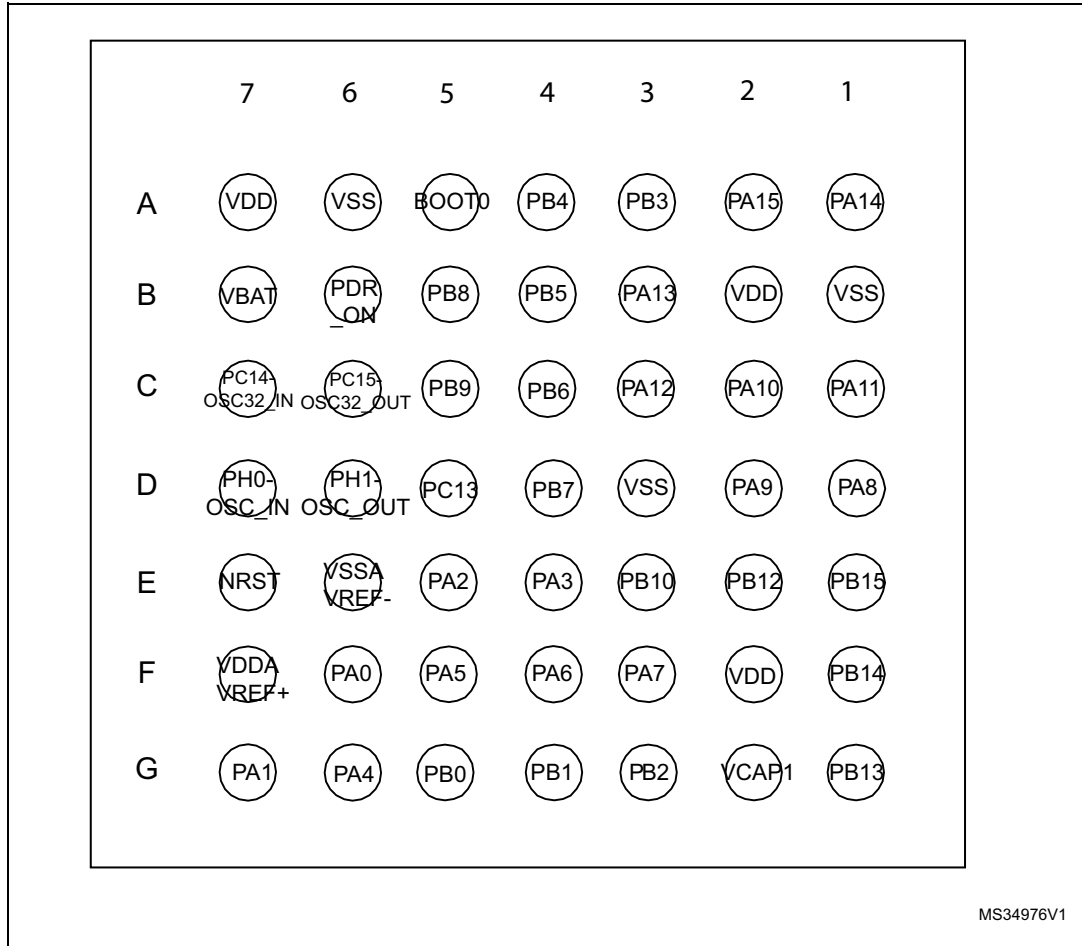
The Arm Embedded Trace Macrocell provides a greater visibility of the instruction and data flow inside the CPU core by streaming compressed data at a very high rate from the STM32F411xC/xE through a small number of ETM pins to an external hardware trace port analyzer (TPA) device. The TPA is connected to a host computer using any high-speed channel available. Real-time instruction and data flow activity can be recorded and then formatted for display on the host computer that runs the debugger software. TPA hardware is commercially available from common development tool vendors.

The Embedded Trace Macrocell operates with third party debugger software tools.



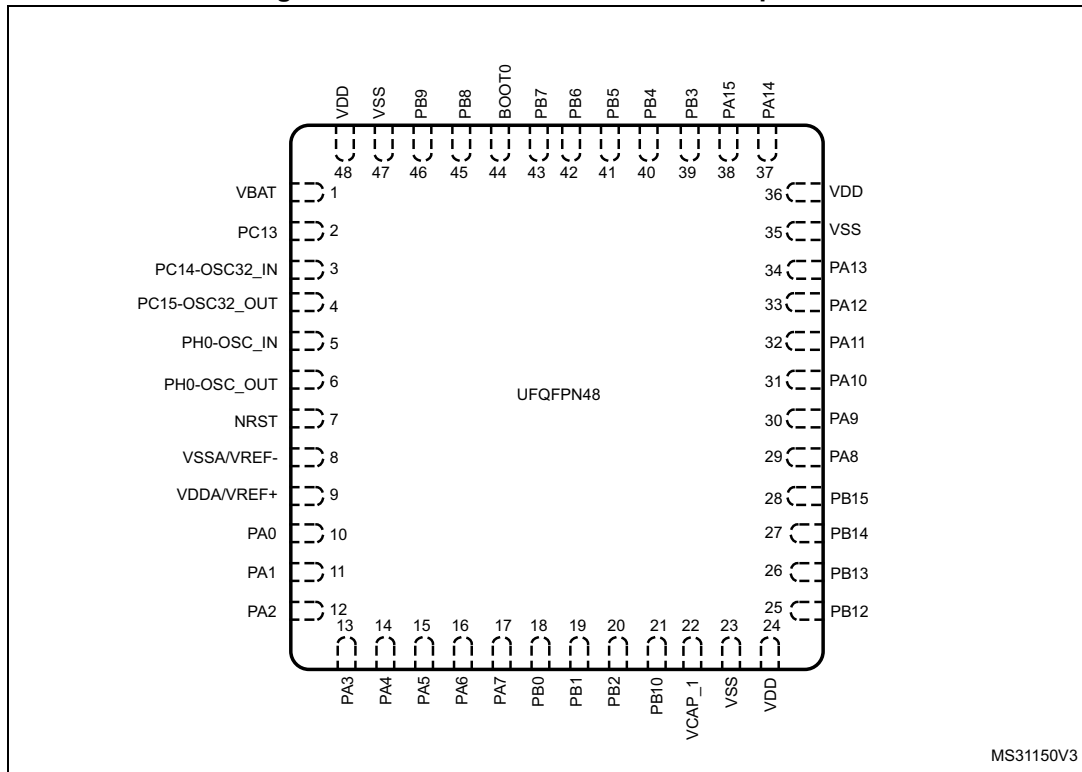
## 4 Pinouts and pin description

Figure 9. STM32F411xC/xE WLCSP49 pinout



1. The above figure shows the package bump side.

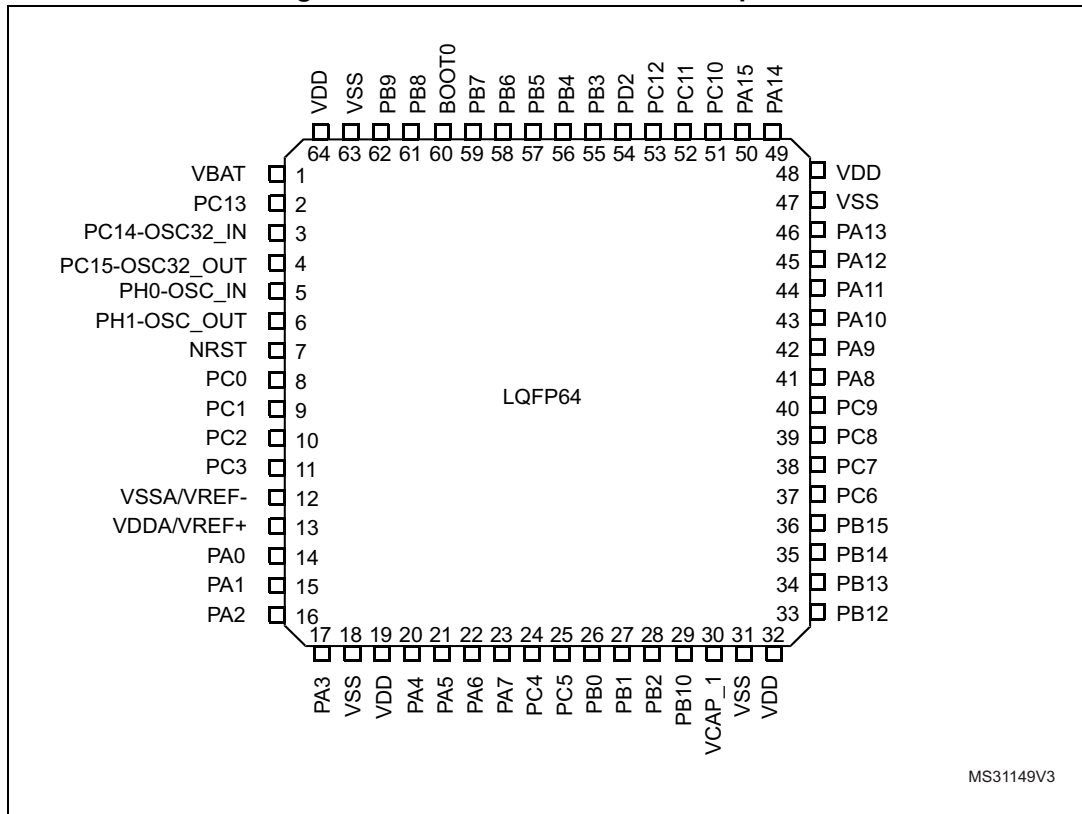
Figure 10. STM32F411xC/xE UFQFPN48 pinout



MS31150V3

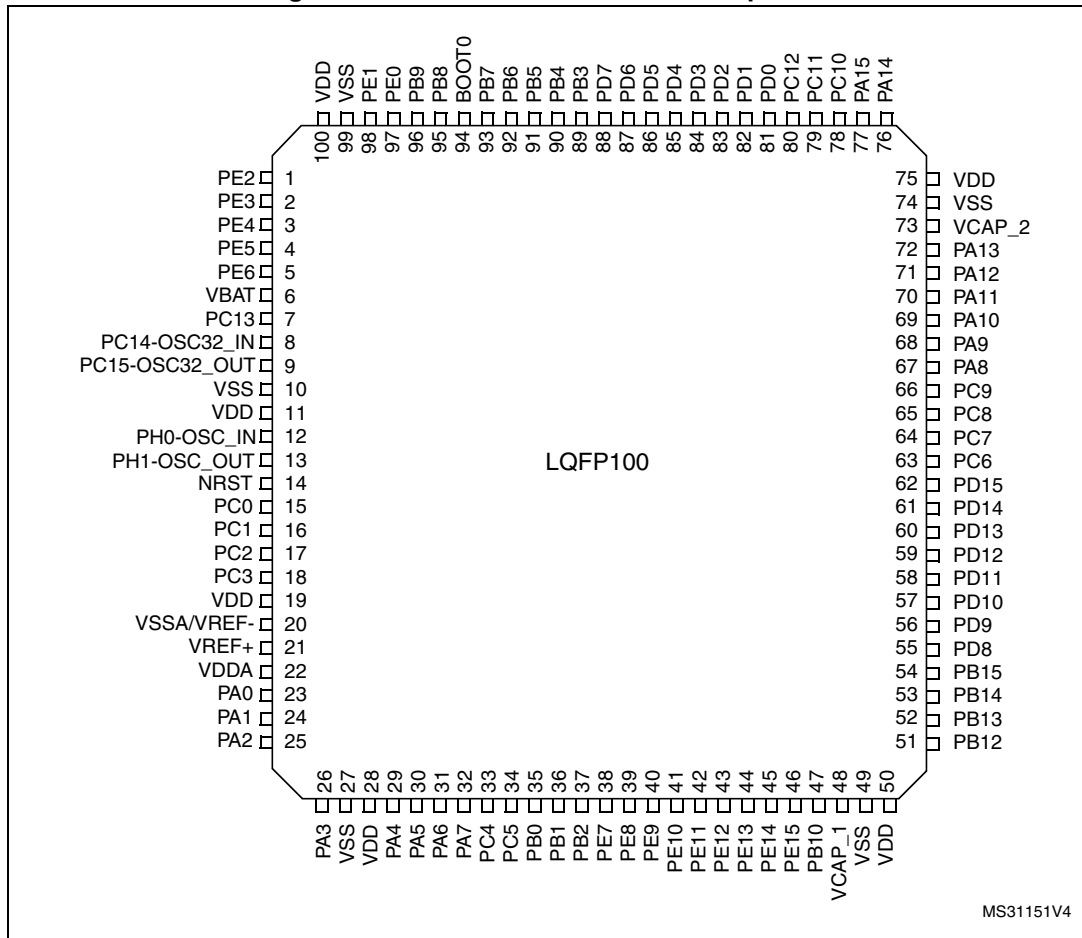
1. The above figure shows the package top view.

Figure 11. STM32F411xC/xE LQFP64 pinout



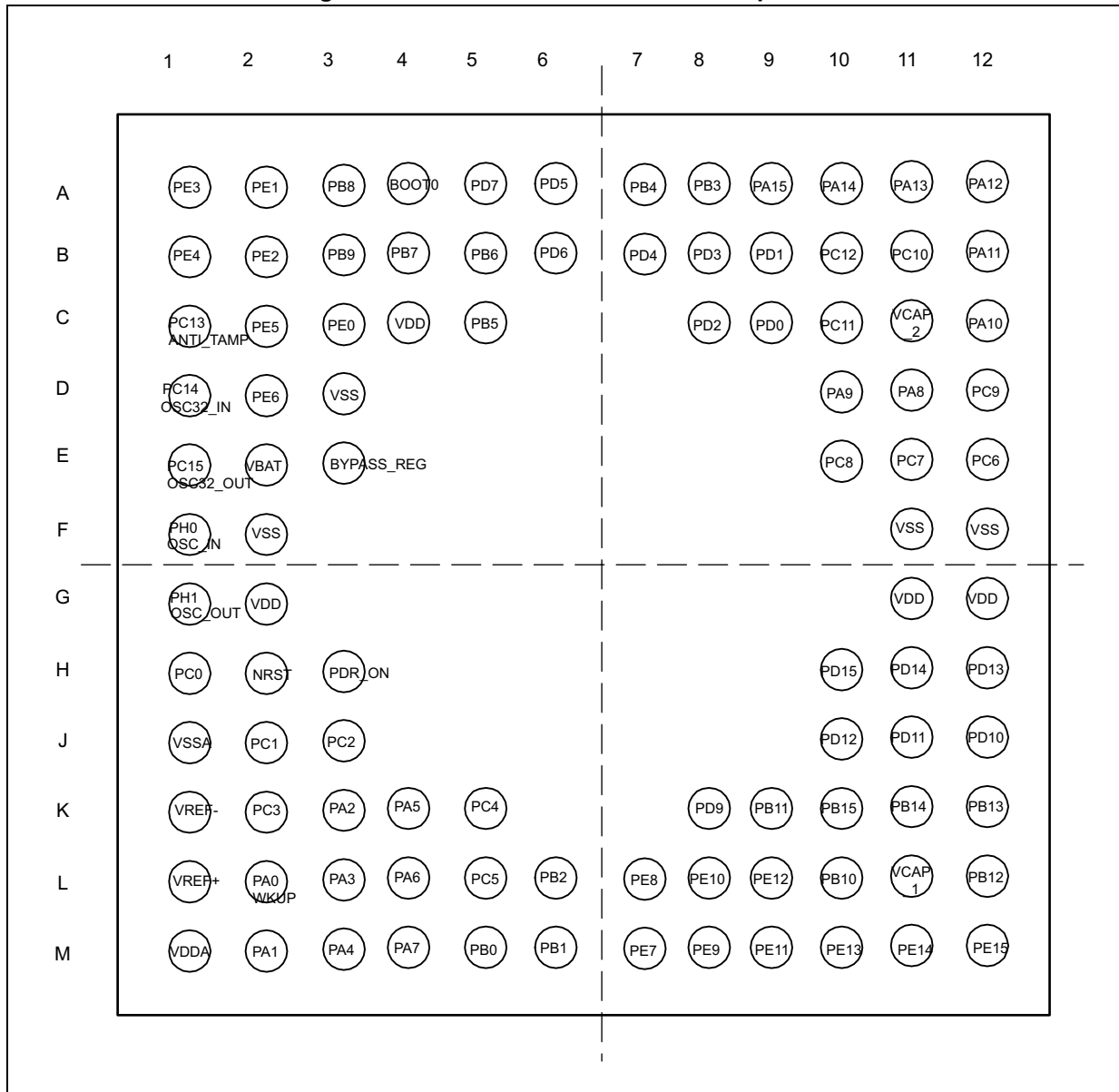
1. The above figure shows the package top view.

Figure 12. STM32F411xC/xE LQFP100 pinout



1. The above figure shows the package top view.

Figure 13. STM32F411xC/xE UFBGA100 pinout



1. This figure shows the package top view

**Table 7. Legend/abbreviations used in the pinout table**

| Name                 | Abbreviation  | Definition  |
|----------------------|---|---|
| Pin name             | Unless otherwise specified in brackets below the pin name, the pin function during and after reset is the same as the actual pin name |   |
| Pin type             | S   | Supply pin  |
|                      | I   | Input only pin  |
|                      | I/O   | Input/ output pin   |
| I/O structure        | FT  | 5 V tolerant I/O  |
|                      | TC  | Standard 3.3 V I/O  |
|                      | B   | Dedicated BOOT0 pin   |
|                      | NRST  | Bidirectional reset pin with embedded weak pull-up resistor |
| Notes                | Unless otherwise specified by a note, all I/Os are set as floating inputs during and after reset                                      |   |
| Alternate functions  | Functions selected through GPIOx_AFR registers  |   |
| Additional functions | Functions directly selected/enabled through peripheral registers  |   |

**Table 8. STM32F411xC/xE pin definitions**

| Pin number |        |         |         |          | Pin name<br>(function after<br>reset) <sup>(1)</sup> | Pin type | I/O structure | Notes | Alternate functions   | Additional functions |
|------------|--------|---------|---------|----------|--|----------|---------------|-------|---|----------------------|
| UFQFPN48   | LQFP64 | WLCSP49 | LQFP100 | UFBGA100 |  |          |               |       |   |                      |
| -          | -      | -       | 1       | B2       | PE2  | I/O      | FT            | -     | TRACECLK,<br>SPI4_SCK/I2S4_CK,<br>SPI5_SCK/I2S5_CK,<br>EVENTOUT | -                    |
| -          | -      | -       | 2       | A1       | PE3  | I/O      | FT            | -     | TRACED0,<br>EVENTOUT  | -                    |
| -          | -      | -       | 3       | B1       | PE4  | I/O      | FT            | -     | TRACED1,<br>SPI4_NSS/I2S4_WS,<br>SPI5_NSS/I2S5_WS,<br>EVENTOUT  | -                    |
| -          | -      | -       | 4       | C2       | PE5  | I/O      | FT            | -     | TRACED2,<br>TIM9_CH1,<br>SPI4_MISO,<br>SPI5_MISO,<br>EVENTOUT   | -                    |

Table 8. STM32F411xC/xE pin definitions (continued)

| Pin number |        |         |         |          | Pin name<br>(function after<br>reset) <sup>(1)</sup> | Pin type | I/O structure | Notes         | Alternate functions   | Additional functions         |
|------------|--------|---------|---------|----------|--|----------|---------------|---------------|---|------------------------------|
| UFQFPN48   | LQFP64 | WLCSP49 | LQFP100 | UFBGA100 |  |          |               |               |   |                              |
| -          | -      | -       | 5       | D2       | PE6  | I/O      | FT            | -             | TRACED3,<br>TIM9_CH2,<br>SPI4_MOSI/I2S4_SD,<br>SPI5_MOSI/I2S5_SD,<br>EVENTOUT | -                            |
| -          | -      | -       | -       | D3       | VSS  | S        | -             | -             | -   | -                            |
| -          | -      | -       | -       | C4       | VDD  | S        | -             | -             | -   | -                            |
| 1          | 1      | B7      | 6       | E2       | VBAT   | S        | -             | -             | -   | -                            |
| 2          | 2      | D5      | 7       | C1       | PC13-<br>ANTI_TAMP                                   | I/O      | FT            | (2)(3)        | -   | RTC_AMP1,<br>RTC_OUT, RTC_TS |
| 3          | 3      | C7      | 8       | D1       | PC14-<br>OSC32_IN                                    | I/O      | FT            | (2)(3)<br>(4) | -   | OSC32_IN                     |
| 4          | 4      | C6      | 9       | E1       | PC15-<br>OSC32_OUT                                   | I/O      | FT            | -             | -   | OSC32_OUT                    |
| -          | -      | -       | 10      | F2       | VSS  | S        | -             | -             | -   | -                            |
| -          | -      | -       | 11      | G2       | VDD  | S        | -             | -             | -   | -                            |
| 5          | 5      | D7      | 12      | F1       | PH0 - OSC_IN   | I/O      | FT            | -             | -   | OSC_IN                       |
| 6          | 6      | D6      | 13      | G1       | PH1 -<br>OSC_OUT                                     | I/O      | FT            | -             | -   | OSC_OUT                      |
| 7          | 7      | E7      | 14      | H2       | NRST   | I/O      | FT            | -             | EVENTOUT  | -                            |
| -          | 8      | -       | 15      | H1       | PC0  | I/O      | FT            | -             | EVENTOUT  | ADC1_10                      |
| -          | 9      | -       | 16      | J2       | PC1  | I/O      | FT            | -             | EVENTOUT  | ADC1_11                      |
| -          | 10     | -       | 17      | J3       | PC2  | I/O      | FT            | -             | SPI2_MISO,<br>I2S2ext_SD,<br>EVENTOUT   | ADC1_12                      |
| -          | 11     | -       | 18      | K2       | PC3  | I/O      | FT            | -             | SPI2_MOSI/I2S2_SD,<br>EVENTOUT  | ADC1_13                      |
| -          | -      | -       | 19      | -        | VDD  | S        | -             | -             | -   | -                            |
| 8          | 12     | E6      | 20      | J1       | VSSA   | S        | -             | -             | -   | -                            |
| -          | -      | -       | -       | K1       | VREF-  | S        | -             | -             | -   | -                            |
| 9          | 13     | F7      | 21      | L1       | VREF+  | S        | -             | -             | -   | -                            |
| -          | -      | -       | 22      | M1       | VDDA   | S        | -             | -             | -   | -                            |

Table 8. STM32F411xC/xE pin definitions (continued)

| Pin number |        |         |         |          | Pin name<br>(function after<br>reset) <sup>(1)</sup> | Pin type | I/O structure | Notes | Alternate functions   | Additional functions |
|------------|--------|---------|---------|----------|--|----------|---------------|-------|---|----------------------|
| UFQFPN48   | LQFP64 | WLCSP49 | LQFP100 | UFBGA100 |  |          |               |       |   |                      |
| 10         | 14     | F6      | 23      | L2       | PA0-WKUP   | I/O      | TC            | (5)   | TIM2_CH1/TIM2_ET,<br>TIM5_CH1,<br>USART2_CTS,<br>EVENTOUT                   | ADC1_0, WKUP1        |
| 11         | 15     | G7      | 24      | M2       | PA1  | I/O      | FT            | -     | TIM2_CH2,<br>TIM5_CH2,<br>SPI4_MOSI/I2S4_SD,<br>USART2_RTS,<br>EVENTOUT     | ADC1_1               |
| 12         | 16     | E5      | 25      | K3       | PA2  | I/O      | FT            | -     | TIM2_CH3,<br>TIM5_CH3,<br>TIM9_CH1,<br>I2S2_CKIN,<br>USART2_TX,<br>EVENTOUT | ADC1_2               |
| 13         | 17     | E4      | 26      | L3       | PA3  | I/O      | FT            | -     | TIM2_CH4,<br>TIM5_CH4,<br>TIM9_CH2,<br>I2S2_MCK,<br>USART2_RX,<br>EVENTOUT  | ADC1_3               |
| -          | 18     | -       | 27      | -        | VSS  | S        | -             | -     | -   | -                    |
| -          | -      | -       | -       | E3       | BYPASS_REG   | S        | -             | -     | -   | -                    |
| -          | 19     | -       | 28      | -        | VDD  | I        | FT            | -     | EVENTOUT  | -                    |
| 14         | 20     | G6      | 29      | M3       | PA4  | I/O      | FT            | -     | SPI1_NSS/I2S1_WS,<br>SPI3_NSS/I2S3_WS,<br>USART2_CK,<br>EVENTOUT            | ADC1_4               |
| 15         | 21     | F5      | 30      | K4       | PA5  | I/O      | FT            | -     | TIM2_CH1/TIM2_ET,<br>SPI1_SCK/I2S1_CK,<br>EVENTOUT                          | ADC1_5               |
| 16         | 22     | F4      | 31      | L4       | PA6  | I/O      | FT            | -     | TIM1_BKIN,<br>TIM3_CH1,<br>SPI1_MISO,<br>I2S2_MCK,<br>SDIO_CMD,<br>EVENTOUT | ADC1_6               |
| 17         | 23     | F3      | 32      | M4       | PA7  | I/O      | FT            | -     | TIM1_CH1N,<br>TIM3_CH2,<br>SPI1_MOSI/I2S1_SD,<br>EVENTOUT                   | ADC1_7               |



Table 8. STM32F411xC/xE pin definitions (continued)

| Pin number |        |         |         |          | Pin name<br>(function after<br>reset) <sup>(1)</sup> | Pin type | I/O structure | Notes | Alternate functions   | Additional functions |
|------------|--------|---------|---------|----------|--|----------|---------------|-------|---|----------------------|
| UFQFPN48   | LQFP64 | WLCSP49 | LQFP100 | UFBGA100 |  |          |               |       |   |                      |
| -          | 24     | -       | 33      | K5       | PC4  | I/O      | FT            | -     | EVENTOUT  | ADC1_14              |
| -          | 25     | -       | 34      | L5       | PC5  | I/O      | FT            | -     | EVENTOUT  | ADC1_15              |
| 18         | 26     | G5      | 35      | M5       | PB0  | I/O      | FT            | -     | TIM1_CH2N,<br>TIM3_CH3,<br>SPI5_SCK/I2S5_CK,<br>EVENTOUT          | ADC1_8               |
| 19         | 27     | G4      | 36      | M6       | PB1  | I/O      | FT            | -     | TIM1_CH3N,<br>TIM3_CH4,<br>SPI5_NSS/I2S5_WS,<br>EVENTOUT          | ADC1_9               |
| 20         | 28     | G3      | 37      | L6       | PB2  | I/O      | FT            | -     | EVENTOUT  | BOOT1                |
| -          | -      | -       | 38      | M7       | PE7  | I/O      | FT            | -     | TIM1_ETR,<br>EVENTOUT   | -                    |
| -          | -      | -       | 39      | L7       | PE8  | I/O      | FT            | -     | TIM1_CH1N,<br>EVENTOUT  | -                    |
| -          | -      | -       | 40      | M8       | PE9  | I/O      | FT            | -     | TIM1_CH1,<br>EVENTOUT   | -                    |
| -          | -      | -       | 41      | L8       | PE10   | I/O      | FT            | -     | TIM1_CH2N,<br>EVENTOUT  | -                    |
| -          | -      | -       | 42      | M9       | PE11   | I/O      | FT            | -     | TIM1_CH2,<br>SPI4_NSS/I2S4_WS,<br>SPI5_NSS/I2S5_WS,<br>EVENTOUT   | -                    |
| -          | -      | -       | 43      | L9       | PE12   | I/O      | FT            | -     | TIM1_CH3N,<br>SPI4_SCK/I2S4_CK,<br>SPI5_SCK/I2S5_CK,<br>EVENTOUT  | -                    |
| -          | -      | -       | 44      | M10      | PE13   | I/O      | FT            | -     | TIM1_CH3,<br>SPI4_MISO,<br>SPI5_MISO,<br>EVENTOUT                 | -                    |
| -          | -      | -       | 45      | M11      | PE14   | I/O      | FT            | -     | TIM1_CH4,<br>SPI4_MOSI/I2S4_SD,<br>SPI5_MOSI/I2S5_SD,<br>EVENTOUT | -                    |
| -          | -      | -       | 46      | M12      | PE15   | I/O      | FT            | -     | TIM1_BKIN,<br>EVENTOUT  | -                    |

Table 8. STM32F411xC/xE pin definitions (continued)

| Pin number |        |         |         |          | Pin name<br>(function after<br>reset) <sup>(1)</sup> | Pin type | I/O structure | Notes | Alternate functions   | Additional functions |
|------------|--------|---------|---------|----------|--|----------|---------------|-------|---|----------------------|
| UFQFPN48   | LQFP64 | WLCSP49 | LQFP100 | UFBGA100 |  |          |               |       |   |                      |
| 21         | 29     | E3      | 47      | L10      | PB10   | I/O      | FT            | -     | TIM2_CH3,<br>I2C2_SCL,<br>SPI2_SCK/I2S2_CK,<br>I2S3_MCK, SDIO_D7,<br>EVENTOUT                       | -                    |
| -          | -      | -       | -       | K9       | PB11   | I/O      | FT            | -     | TIM2_CH4,<br>I2C2_SDA,<br>I2S2_CKIN,<br>EVENTOUT  | -                    |
| 22         | 30     | G2      | 48      | L11      | VCAP_1   | S        | -             | -     | -   | -                    |
| 23         | 31     | D3      | 49      | F12      | VSS  | S        | -             | -     | -   | -                    |
| 24         | 32     | F2      | 50      | G12      | VDD  | S        | -             | -     | -   | -                    |
| 25         | 33     | E2      | 51      | L12      | PB12   | I/O      | FT            | -     | TIM1_BKIN,<br>I2C2_SMBA,<br>SPI2_NSS/I2S2_WS,<br>SPI4_NSS/I2S4_WS,<br>SPI3_SCK/I2S3_CK,<br>EVENTOUT | -                    |
| 26         | 34     | G1      | 52      | K12      | PB13   | I/O      | FT            | -     | TIM1_CH1N,<br>SPI2_SCK/I2S2_CK,<br>SPI4_SCK/I2S4_CK,<br>EVENTOUT                                    | -                    |
| 27         | 35     | F1      | 53      | K11      | PB14   | I/O      | FT            | -     | TIM1_CH2N,<br>SPI2_MISO,<br>I2S2ext_SD,<br>SDIO_D6,<br>EVENTOUT                                     | -                    |
| 28         | 36     | E1      | 54      | K10      | PB15   | I/O      | FT            | -     | RTC_50Hz,<br>TIM1_CH3N,<br>SPI2_MOSI/I2S2_SD,<br>SDIO_CK,<br>EVENTOUT                               | RTC_REFIN            |
| -          | -      | -       | 55      | -        | PD8  | I/O      | FT            | -     | -   | -                    |
| -          | -      | -       | 56      | K8       | PD9  | I/O      | FT            | -     | -   | -                    |
| -          | -      | -       | 57      | J12      | PD10   | I/O      | FT            | -     | -   | -                    |
| -          | -      | -       | 58      | J11      | PD11   | I/O      | FT            | -     | -   | -                    |
| -          | -      | -       | 59      | J10      | PD12   | I/O      | FT            | -     | TIM4_CH1,<br>EVENTOUT   | -                    |

Table 8. STM32F411xC/xE pin definitions (continued)

| Pin number |        |         |         |          | Pin name<br>(function after<br>reset) <sup>(1)</sup> | Pin type | I/O structure | Notes | Alternate functions  | Additional functions |
|------------|--------|---------|---------|----------|--|----------|---------------|-------|--|----------------------|
| UFQFPN48   | LQFP64 | WLCSP49 | LQFP100 | UFBGA100 |  |          |               |       |  |                      |
| -          | -      | -       | 60      | H12      | PD13   | I/O      | FT            | -     | TIM4_CH2,<br>EVENTOUT  | -                    |
| -          | -      | -       | 61      | H11      | PD14   | I/O      | FT            | -     | TIM4_CH3,<br>EVENTOUT  | -                    |
| -          | -      | -       | 62      | H10      | PD15   | I/O      | FT            | -     | TIM4_CH4,<br>EVENTOUT  | -                    |
| -          | 37     | -       | 63      | E12      | PC6  | I/O      | FT            | -     | TIM3_CH1,<br>I2S2_MCK,<br>USART6_TX,<br>SDIO_D6,<br>EVENTOUT                       | -                    |
| -          | 38     | -       | 64      | E11      | PC7  | I/O      | FT            | -     | TIM3_CH2,<br>SPI2_SCK/I2S2_CK,<br>I2S3_MCK,<br>USART6_RX,<br>SDIO_D7,<br>EVENTOUT  | -                    |
| -          | 39     | -       | 65      | E10      | PC8  | I/O      | FT            | -     | TIM3_CH3,<br>USART6_CK,<br>SDIO_D0,<br>EVENTOUT                                    | -                    |
| -          | 40     | -       | 66      | D12      | PC9  | I/O      | FT            | -     | MCO_2, TIM3_CH4,<br>I2C3_SDA,<br>I2S2_CKIN,<br>SDIO_D1,<br>EVENTOUT                | -                    |
| 29         | 41     | D1      | 67      | D11      | PA8  | I/O      | FT            | -     | MCO_1, TIM1_CH1,<br>I2C3_SCL,<br>USART1_CK,<br>USB_FS_SOF,<br>SDIO_D1,<br>EVENTOUT | -                    |
| 30         | 42     | D2      | 68      | D10      | PA9  | I/O      | FT            | -     | TIM1_CH2,<br>I2C3_SMBA,<br>USART1_TX,<br>USB_FS_VBUS,<br>SDIO_D2,<br>EVENTOUT      | OTG_FS_VBUS          |

Table 8. STM32F411xC/xE pin definitions (continued)

| Pin number |        |         |         |          | Pin name<br>(function after<br>reset) <sup>(1)</sup> | Pin type | I/O structure | Notes | Alternate functions   | Additional functions |
|------------|--------|---------|---------|----------|--|----------|---------------|-------|---|----------------------|
| UFQFPN48   | LQFP64 | WLCSP49 | LQFP100 | UFBGA100 |  |          |               |       |   |                      |
| 31         | 43     | C2      | 69      | C12      | PA10   | I/O      | FT            | -     | TIM1_CH3,<br>SPI5_MOSI/I2S5_SD,<br>USART1_RX,<br>USB_FS_ID,<br>EVENTOUT                         | -                    |
| 32         | 44     | C1      | 70      | B12      | PA11   | I/O      | FT            | -     | TIM1_CH4,<br>SPI4_MISO,<br>USART1_CTS,<br>USART6_TX,<br>USB_FS_DM,<br>EVENTOUT                  | -                    |
| 33         | 45     | C3      | 71      | A12      | PA12   | I/O      | FT            | -     | TIM1_ETR,<br>SPI5_MISO,<br>USART1_RTS,<br>USART6_RX,<br>USB_FS_DP,<br>EVENTOUT                  | -                    |
| 34         | 46     | B3      | 72      | A11      | PA13   | I/O      | FT            | -     | JTMS-SWDIO,<br>EVENTOUT   | -                    |
| -          | -      | -       | 73      | C11      | VCAP_2   | S        | -             | -     | -   | -                    |
| 35         | 47     | B1      | 74      | F11      | VSS  | S        | -             | -     | -   | -                    |
| 36         | 48     | B2      | 75      | G11      | VDD  | S        | -             | -     | -   | -                    |
| 37         | 49     | A1      | 76      | A10      | PA14   | I/O      | FT            | -     | JTCK-SWCLK,<br>EVENTOUT   | -                    |
| 38         | 50     | A2      | 77      | A9       | PA15   | I/O      | FT            | -     | JTDI,<br>TIM2_CH1/TIM2_ETR,<br>SPI1_NSS/I2S1_WS,<br>SPI3_NSS/I2S3_WS,<br>USART1_TX,<br>EVENTOUT | -                    |
| -          | 51     | -       | 78      | B11      | PC10   | I/O      | FT            | -     | SPI3_SCK/I2S3_CK,<br>SDIO_D2,<br>EVENTOUT   | -                    |
| -          | 52     | -       | 79      | C10      | PC11   | I/O      | FT            | -     | I2S3ext_SD,<br>SPI3_MISO,<br>SDIO_D3,<br>EVENTOUT   | -                    |
| -          | 53     | -       | 80      | B10      | PC12   | I/O      | FT            | -     | SPI3_MOSI/I2S3_SD,<br>SDIO_CK,<br>EVENTOUT  | -                    |

Table 8. STM32F411xC/xE pin definitions (continued)

| Pin number |        |         |         |          | Pin name<br>(function after<br>reset) <sup>(1)</sup> | Pin type | I/O structure | Notes | Alternate functions   | Additional functions |
|------------|--------|---------|---------|----------|--|----------|---------------|-------|---|----------------------|
| UFQFPN48   | LQFP64 | WLCSP49 | LQFP100 | UFBGA100 |  |          |               |       |   |                      |
| -          | -      | -       | 81      | C9       | PD0  | I/O      | FT            | -     | EVENTOUT  | -                    |
| -          | -      | -       | 82      | B9       | PD1  | I/O      | FT            | -     | EVENTOUT  | -                    |
| -          | 54     | -       | 83      | C8       | PD2  | I/O      | FT            | -     | TIM3_ETR,<br>SDIO_CMD,<br>EVENTOUT  | -                    |
| -          | -      | -       | 84      | B8       | PD3  | I/O      | FT            | -     | SPI2_SCK/I2S2_CK,<br>USART2_CTS,<br>EVENTOUT  | -                    |
| -          | -      | -       | 85      | B7       | PD4  | I/O      | FT            | -     | USART2_RTS,<br>EVENTOUT   | -                    |
| -          | -      | -       | 86      | A6       | PD5  | I/O      | FT            | -     | USART2_TX,<br>EVENTOUT  | -                    |
| -          | -      | -       | 87      | B6       | PD6  | I/O      | FT            | -     | SPI3_MOSI/I2S3_SD,<br>USART2_RX,<br>EVENTOUT  | -                    |
| -          | -      | -       | 88      | A5       | PD7  | I/O      | FT            | -     | USART2_CK,<br>EVENTOUT  | -                    |
| 39         | 55     | A3      | 89      | A8       | PB3  | I/O      | FT            | -     | JTDO-SWO,<br>TIM2_CH2,<br>SPI1_SCK/I2S1_CK,<br>SPI3_SCK/I2S3_CK,<br>USART1_RX,<br>I2C2_SDA,<br>EVENTOUT | -                    |
| 40         | 56     | A4      | 90      | A7       | PB4  | I/O      | FT            | -     | JTRST, TIM3_CH1,<br>SPI1_MISO,<br>SPI3_MISO,<br>I2S3ext_SD,<br>I2C3_SDA, SDIO_D0,<br>EVENTOUT           | -                    |
| 41         | 57     | B4      | 91      | C5       | PB5  | I/O      | TC            | -     | TIM3_CH2,<br>I2C1_SMBA,<br>SPI1_MOSI/I2S1_SD,<br>SPI3_MOSI/I2S3_SD,<br>SDIO_D3,<br>EVENTOUT             | -                    |
| 42         | 58     | C4      | 92      | B5       | PB6  | I/O      | FT            | -     | TIM4_CH1,<br>I2C1_SCL,<br>USART1_TX,<br>EVENTOUT  | -                    |

Table 8. STM32F411xC/xE pin definitions (continued)

| Pin number |        |         |         |          | Pin name<br>(function after<br>reset) <sup>(1)</sup> | Pin type | I/O structure | Notes | Alternate functions  | Additional functions |
|------------|--------|---------|---------|----------|--|----------|---------------|-------|--|----------------------|
| UFQFPN48   | LQFP64 | WLCSP49 | LQFP100 | UFBGA100 |  |          |               |       |  |                      |
| 43         | 59     | D4      | 93      | B4       | PB7  | I/O      | FT            | -     | TIM4_CH2,<br>I2C1_SDA,<br>USART1_RX,<br>SDIO_D0,<br>EVENTOUT                                 | -                    |
| 44         | 60     | A5      | 94      | A4       | BOOT0  | I        | B             | -     | -  | VPP                  |
| 45         | 61     | B5      | 95      | A3       | PB8  | I/O      | FT            | -     | TIM4_CH3,<br>TIM10_CH1,<br>I2C1_SCL,<br>SPI5_MOSI/I2S5_SD,<br>I2C3_SDA, SDIO_D4,<br>EVENTOUT | -                    |
| 46         | 62     | C5      | 96      | B3       | PB9  | I/O      | FT            | -     | TIM4_CH4,<br>TIM11_CH1,<br>I2C1_SDA,<br>SPI2_NSS/I2S2_WS,<br>I2C2_SDA, SDIO_D5,<br>EVENTOUT  | -                    |
| -          | -      | -       | 97      | C3       | PE0  | I/O      | FT            | -     | TIM4_ETR,<br>EVENTOUT  | -                    |
| -          | -      | -       | 98      | A2       | PE1  | I/O      | FT            | -     | EVENTOUT   | -                    |
| 47         | 63     | A6      | 99      | -        | VSS  | S        | -             | -     | -  | -                    |
| -          | -      | B6      | -       | H3       | PDR_ON   | I        | FT            | -     | -  | -                    |
| 48         | 64     | A7      | 100     | -        | VDD  | S        | -             | -     | -  | -                    |

- Function availability depends on the chosen device.
- PC13, PC14 and PC15 are supplied through the power switch. Since the switch only sinks a limited amount of current (3 mA), the use of GPIOs PC13 to PC15 in output mode is limited:
  - The speed should not exceed 2 MHz with a maximum load of 30 pF.
  - These I/Os must not be used as a current source (e.g. to drive an LED).
- Main function after the first backup domain power-up. Later on, it depends on the contents of the RTC registers even after reset (because these registers are not reset by the main reset). For details on how to manage these I/Os, refer to the RTC register description sections in the STM32F411xx reference manual.
- FT = 5 V tolerant except when in analog mode or oscillator mode (for PC14, PC15, PH0 and PH1).
- If the device is delivered in a UFBGA100 and the BYPASS\_REG pin is set to VDD (Regulator off/internal reset ON mode), then PA0 is used as an internal Reset (active low)



**Table 9. Alternate function mapping**

| Port   | AF00   | AF01                  | AF02                  | AF03                     | AF04               | AF05                                     | AF06  | AF07                            | AF08           | AF09          | AF10    | AF11            | AF12 | AF13         | AF14 | AF15 |              |              |
|--------|--------|-----------------------|-----------------------|--------------------------|--------------------|--|---|---------------------------------|----------------|---------------|---------|-----------------|------|--------------|------|------|--------------|--------------|
|        | SYS_AF | TIM1/TIM2             | TIM3/<br>TIM4/ TIM5   | TIM9/<br>TIM10/<br>TIM11 | I2C1/I2C2/<br>I2C3 | SPI1/I2S1S<br>PI2/<br>I2S2/SPI3/<br>I2S3 | SPI2/I2S2/<br>SPI3/<br>I2S3/SPI4/<br>I2S4/SPI5/<br>I2S5 | SPI3/I2S3/<br>USART1/<br>USART2 | USART6         | I2C2/<br>I2C3 | OTG1_FS | SDIO            |      |              |      |      |              |              |
| Port A | PA0    | -                     | TIM2_CH1/<br>TIM2_ETR | TIM5_CH1                 | -                  | -  | -   | USART2_<br>CTS                  | -              | -             | -       | -               | -    | -            | -    | -    | EVENT<br>OUT |              |
|        | PA1    | -                     | TIM2_CH2              | TIM5_CH2                 | -                  | -  | SPI4_MOSI/<br>I2S4_SD                                   | -                               | USART2_<br>RTS | -             | -       | -               | -    | -            | -    | -    | EVENT<br>OUT |              |
|        | PA2    | -                     | TIM2_CH3              | TIM5_CH3                 | TIM9_CH1           | -  | I2S2_CKIN   | -                               | USART2_<br>TX  | -             | -       | -               | -    | -            | -    | -    | EVENT<br>OUT |              |
|        | PA3    | -                     | TIM2_CH4              | TIM5_CH4                 | TIM9_CH2           | -  | I2S2_MCK  | -                               | USART2_<br>RX  | -             | -       | -               | -    | -            | -    | -    | EVENT<br>OUT |              |
|        | PA4    | -                     | -                     | -                        | -                  | -  | SPI1_NSS/I<br>2S1_WS                                    | SPI3_NSS/I2<br>S3_WS            | USART2_<br>CK  | -             | -       | -               | -    | -            | -    | -    | -            | EVENT<br>OUT |
|        | PA5    | -                     | TIM2_CH1/<br>TIM2_ETR | -                        | -                  | -  | SPI1_SCK/I<br>2S1_CK                                    | -                               | -              | -             | -       | -               | -    | -            | -    | -    | -            | EVENT<br>OUT |
|        | PA6    | -                     | TIM1_BKIN             | TIM3_CH1                 | -                  | -  | SPI1_MISO   | I2S2_MCK                        | -              | -             | -       | -               | -    | SDIO_<br>CMD | -    | -    | -            | EVENT<br>OUT |
|        | PA7    | -                     | TIM1_CH1N             | TIM3_CH2                 | -                  | -  | SPI1_MOSI/<br>I2S1_SD                                   | -                               | -              | -             | -       | -               | -    | -            | -    | -    | -            | EVENT<br>OUT |
|        | PA8    | MCO_1                 | TIM1_CH1              | -                        | -                  | I2C3_<br>SCL                             | -   | -                               | USART1_<br>CK  | -             | -       | USB_FS_<br>SOF  | -    | SDIO_<br>D1  | -    | -    | -            | EVENT<br>OUT |
|        | PA9    | -                     | TIM1_CH2              | -                        | -                  | I2C3_<br>SMBA                            | -   | -                               | USART1_<br>TX  | -             | -       | USB_FS_<br>VBUS | -    | SDIO_<br>D2  | -    | -    | -            | EVENT<br>OUT |
|        | PA10   | -                     | TIM1_CH3              | -                        | -                  | -  | -   | SPI5_MOSI/I<br>2S5_SD           | USART1_<br>RX  | -             | -       | USB_FS_<br>ID   | -    | -            | -    | -    | -            | EVENT<br>OUT |
|        | PA11   | -                     | TIM1_CH4              | -                        | -                  | -  | -   | SPI4_MISO                       | USART1_<br>CTS | USART6_<br>TX | -       | USB_FS_<br>DM   | -    | -            | -    | -    | -            | EVENT<br>OUT |
|        | PA12   | -                     | TIM1_ETR              | -                        | -                  | -  | -   | SPI5_MISO                       | USART1_<br>RTS | USART6_<br>RX | -       | USB_FS_<br>DP   | -    | -            | -    | -    | -            | EVENT<br>OUT |
|        | PA13   | JTMS-<br>SWDIO        | -                     | -                        | -                  | -  | -   | -                               | -              | -             | -       | -               | -    | -            | -    | -    | -            | EVENT<br>OUT |
|        | PA14   | JTCK-<br>SWCLK        | -                     | -                        | -                  | -  | -   | -                               | -              | -             | -       | -               | -    | -            | -    | -    | -            | EVENT<br>OUT |
| PA15   | JTDI   | TIM2_CH1/<br>TIM2_ETR | -                     | -                        | -                  | -  | SPI1_NSS/I<br>2S1_WS                                    | SPI3_NSS/I2<br>S3_WS            | USART1_<br>TX  | -             | -       | -               | -    | -            | -    | -    | EVENT<br>OUT |              |



Table 9. Alternate function mapping (continued)

| Port | AF00         | AF01      | AF02                   | AF03                     | AF04               | AF05                                     | AF06  | AF07                            | AF08   | AF09          | AF10    | AF11 | AF12        | AF13 | AF14 | AF15 |              |
|------|--------------|-----------|------------------------|--------------------------|--------------------|--|---|---------------------------------|--------|---------------|---------|------|-------------|------|------|------|--------------|
|      | SYS_AF       | TIM1/TIM2 | TIM3/<br>TIM4/<br>TIM5 | TIM9/<br>TIM10/<br>TIM11 | I2C1/I2C2/<br>I2C3 | SPI1/I2S1S<br>PI2/<br>I2S2/SPI3/<br>I2S3 | SPI2/I2S2/<br>SPI3/<br>I2S3/SPI4/<br>I2S4/SPI5/<br>I2S5 | SPI3/I2S3/<br>USART1/<br>USART2 | USART6 | I2C2/<br>I2C3 | OTG1_FS |      |             | SDIO |      |      |              |
| PB0  | -            | TIM1_CH2N | TIM3_CH3               | -                        | -                  | -  | SPI5_SCK/<br>I2S5_CK                                    |                                 | -      | -             | -       | -    | -           | -    | -    | -    | EVENT<br>OUT |
| PB1  | -            | TIM1_CH3N | TIM3_CH4               | -                        | -                  | -  | SPI5_NSS/<br>I2S5_WS                                    |                                 | -      | -             | -       | -    | -           | -    | -    | -    | EVENT<br>OUT |
| PB2  | -            | -         | -                      | -                        | -                  | -  | -   | -                               | -      | -             | -       | -    | -           | -    | -    | -    | EVENT<br>OUT |
| PB3  | JTDO-<br>SWO | TIM2_CH2  | -                      | -                        | -                  | SPI1_SCK/<br>2S1_CK                      | SPI3_SCK/<br>I2S3_CK                                    | USART1_<br>RX                   | -      | I2C2_SDA      | -       | -    | -           | -    | -    | -    | EVENT<br>OUT |
| PB4  | JTRST        |           | TIM3_CH1               | -                        | -                  | SPI1_MISO                                | SPI3_MISO   | I2S3ext_S<br>D                  | -      | I2C3_SDA      |         |      | SDIO_<br>D0 | -    | -    | -    | EVENT<br>OUT |
| PB5  | -            | -         | TIM3_CH2               | -                        | I2C1_SMB<br>A      | SPI1_MOSI/<br>I2S1_SD                    | SPI3_MOSI/<br>I2S3_SD                                   |                                 | -      | -             | -       | -    | SDIO_<br>D3 | -    | -    | -    | EVENT<br>OUT |
| PB6  | -            | -         | TIM4_CH1               | -                        | I2C1_SCL           | -  | -   | USART1_<br>TX                   | -      | -             | -       | -    |             | -    | -    | -    | EVENT<br>OUT |
| PB7  | -            | -         | TIM4_CH2               | -                        | I2C1_SDA           | -  | -   | USART1_<br>RX                   | -      | -             | -       | -    | SDIO_<br>D0 | -    | -    | -    | EVENT<br>OUT |
| PB8  | -            | -         | TIM4_CH3               | TIM10_CH1                | I2C1_SCL           | -  | SPI5_MOSI/<br>I2S5_SD                                   | -                               | -      | I2C3_SDA      | -       | -    | SDIO_<br>D4 | -    | -    | -    | EVENT<br>OUT |
| PB9  | -            | -         | TIM4_CH4               | TIM11_CH1                | I2C1_SDA           | SPI2_NSS/<br>2S2_WS                      | -   | -                               | -      | I2C2_SDA      | -       | -    | SDIO_<br>D5 | -    | -    | -    | EVENT<br>OUT |
| PB10 | -            | TIM2_CH3  | -                      | -                        | I2C2_SCL           | SPI2_SCK/<br>2S2_CK                      | I2S3_MCK  | -                               | -      | -             | -       | -    | SDIO_<br>D7 | -    | -    | -    | EVENT<br>OUT |
| PB11 | -            | TIM2_CH4  | -                      | -                        | I2C2_SDA           | I2S2_CKIN                                | -   | -                               | -      | -             | -       | -    | -           | -    | -    | -    | EVENT<br>OUT |
| PB12 | -            | TIM1_BKIN | -                      | -                        | I2C2_SMB<br>A      | SPI2_NSS/<br>2S2_WS                      | SPI4_NSS/<br>I2S4_WS                                    | SPI3_SCK/<br>I2S3_CK            | -      | -             | -       | -    | -           | -    | -    | -    | EVENT<br>OUT |
| PB13 | -            | TIM1_CH1N | -                      | -                        | -                  | SPI2_SCK/<br>2S2_CK                      | SPI4_SCK/<br>I2S4_CK                                    | -                               | -      | -             | -       | -    | -           | -    | -    | -    | EVENT<br>OUT |
| PB14 | -            | TIM1_CH2N | -                      | -                        | -                  | SPI2_MISO                                | I2S2ext_SD  | -                               | -      | -             | -       | -    | SDIO_<br>D6 | -    | -    | -    | EVENT<br>OUT |
| PB15 | RTC_50H<br>Z | TIM1_CH3N | -                      | -                        | -                  | SPI2_MOSI/<br>I2S2_SD                    | -   | -                               | -      | -             | -       | -    | SDIO_<br>CK | -    | -    | -    | EVENT<br>OUT |

Port B





**Table 9. Alternate function mapping (continued)**

| Port | AF00   | AF01      | AF02                | AF03                     | AF04               | AF05                                     | AF06  | AF07                            | AF08          | AF09          | AF10    | AF11 | AF12        | AF13 | AF14 | AF15 |              |
|------|--------|-----------|---------------------|--------------------------|--------------------|--|---|---------------------------------|---------------|---------------|---------|------|-------------|------|------|------|--------------|
|      | SYS_AF | TIM1/TIM2 | TIM3/<br>TIM4/ TIM5 | TIM9/<br>TIM10/<br>TIM11 | I2C1/I2C2/<br>I2C3 | SPI1/I2S1S<br>PI2/<br>I2S2/SPI3/<br>I2S3 | SPI2/I2S2/<br>SPI3/<br>I2S3/SPI4/<br>I2S4/SPI5/<br>I2S5 | SPI3/I2S3/<br>USART1/<br>USART2 | USART6        | I2C2/<br>I2C3 | OTG1_FS |      |             | SDIO |      |      |              |
| PC0  | -      | -         | -                   | -                        | -                  | -  | -   | -                               | -             | -             | -       | -    | -           | -    | -    | -    | EVENT<br>OUT |
| PC1  | -      | -         | -                   | -                        | -                  | -  | -   | -                               | -             | -             | -       | -    | -           | -    | -    | -    | EVENT<br>OUT |
| PC2  | -      | -         | -                   | -                        | -                  | SPI2_MISO                                | I2S2ext_SD  | -                               | -             | -             | -       | -    | -           | -    | -    | -    | EVENT<br>OUT |
| PC3  | -      | -         | -                   | -                        | -                  | SPI2_MOSI<br>/I2S2_SD                    | -   | -                               | -             | -             | -       | -    | -           | -    | -    | -    | EVENT<br>OUT |
| PC4  | -      | -         | -                   | -                        | -                  |  |   |                                 |               |               |         |      |             |      |      |      | EVENT<br>OUT |
| PC5  | -      | -         | -                   | -                        | -                  |  |   |                                 |               |               |         |      |             |      |      |      | EVENT<br>OUT |
| PC6  | -      | -         | TIM3_CH1            | -                        | -                  | I2S2_MCK                                 | -   | -                               | USART6_<br>TX | -             | -       | -    | SDIO_<br>D6 | -    | -    | -    | EVENT<br>OUT |
| PC7  | -      | -         | TIM3_CH2            | -                        | -                  | SPI2_SCK/I<br>2S2_CK                     | I2S3_MCK  | -                               | USART6_<br>RX | -             | -       | -    | SDIO_<br>D7 | -    | -    | -    | EVENT<br>OUT |
| PC8  | -      | -         | TIM3_CH3            | -                        | -                  |  |   |                                 | USART6_<br>CK | -             | -       | -    | SDIO_<br>D0 | -    | -    | -    | EVENT<br>OUT |
| PC9  | MCO_2  | -         | TIM3_CH4            | -                        | I2C3_SDA           | I2S2_CKIN                                | -   | -                               |               | -             | -       | -    | SDIO_<br>D1 | -    | -    | -    | EVENT<br>OUT |
| PC10 | -      | -         | -                   | -                        | -                  |  | SPI3_SCK/I2<br>S3_CK                                    | -                               | -             | -             | -       | -    | SDIO_<br>D2 | -    | -    | -    | EVENT<br>OUT |
| PC11 | -      | -         | -                   | -                        | -                  | I2S3ext_SD                               | SPI3_MISO   | -                               | -             | -             | -       | -    | SDIO_<br>D3 | -    | -    | -    | EVENT<br>OUT |
| PC12 | -      | -         | -                   | -                        | -                  |  | SPI3_MOSI/I<br>2S3_SD                                   | -                               | -             | -             | -       | -    | SDIO_<br>CK | -    | -    | -    | EVENT<br>OUT |
| PC13 | -      | -         | -                   | -                        | -                  | -  | -   | -                               | -             | -             | -       | -    | -           | -    | -    | -    | -            |
| PC14 | -      | -         | -                   | -                        | -                  | -  | -   | -                               | -             | -             | -       | -    | -           | -    | -    | -    | -            |
| PC15 | -      | -         | -                   | -                        | -                  | -  | -   | -                               | -             | -             | -       | -    | -           | -    | -    | -    | -            |

Port C



Table 9. Alternate function mapping (continued)

| Port | AF00   | AF01      | AF02                   | AF03                     | AF04               | AF05                                     | AF06  | AF07                            | AF08   | AF09          | AF10    | AF11 | AF12         | AF13 | AF14 | AF15 |              |
|------|--------|-----------|------------------------|--------------------------|--------------------|--|---|---------------------------------|--------|---------------|---------|------|--------------|------|------|------|--------------|
|      | SYS_AF | TIM1/TIM2 | TIM3/<br>TIM4/<br>TIM5 | TIM9/<br>TIM10/<br>TIM11 | I2C1/I2C2/<br>I2C3 | SPI1/I2S1S<br>PI2/<br>I2S2/SPI3/<br>I2S3 | SPI2/I2S2/<br>SPI3/<br>I2S3/SPI4/<br>I2S4/SPI5/<br>I2S5 | SPI3/I2S3/<br>USART1/<br>USART2 | USART6 | I2C2/<br>I2C3 | OTG1_FS |      | SDIO         |      |      |      |              |
| PD0  | -      | -         | -                      | -                        | -                  | -  | -   | -                               | -      | -             | -       | -    | -            | -    | -    | -    | EVENT<br>OUT |
| PD1  | -      | -         | -                      | -                        | -                  | -  | -   | -                               | -      | -             | -       | -    | -            | -    | -    | -    | EVENT<br>OUT |
| PD2  | -      | -         | TIM3_ETR               | -                        | -                  | -  | -   | -                               | -      | -             | -       | -    | SDIO_<br>CMD | -    | -    | -    | EVENT<br>OUT |
| PD3  | -      | -         | -                      | -                        | -                  | SPI2_SCK/<br>2S2_CK                      | -   | USART2_<br>CTS                  | -      | -             | -       | -    | -            | -    | -    | -    | EVENT<br>OUT |
| PD4  | -      | -         | -                      | -                        | -                  | -  | -   | USART2_<br>RTS                  | -      | -             | -       | -    | -            | -    | -    | -    | EVENT<br>OUT |
| PD5  | -      | -         | -                      | -                        | -                  | -  | -   | USART2_<br>TX                   | -      | -             | -       | -    | -            | -    | -    | -    | EVENT<br>OUT |
| PD6  | -      | -         | -                      | -                        | -                  | SPI3_MOSI<br>/I2S3_SD                    | -   | USART2_<br>RX                   | -      | -             | -       | -    | -            | -    | -    | -    | EVENT<br>OUT |
| PD7  | -      | -         | -                      | -                        | -                  | -  | -   | USART2_<br>CK                   | -      | -             | -       | -    | -            | -    | -    | -    | EVENT<br>OUT |
| PD8  | -      | -         | -                      | -                        | -                  | -  | -   | -                               | -      | -             | -       | -    | -            | -    | -    | -    | EVENT<br>OUT |
| PD9  | -      | -         | -                      | -                        | -                  | -  | -   | -                               | -      | -             | -       | -    | -            | -    | -    | -    | EVENT<br>OUT |
| PD10 | -      | -         | -                      | -                        | -                  | -  | -   | -                               | -      | -             | -       | -    | -            | -    | -    | -    | EVENT<br>OUT |
| PD11 | -      | -         | -                      | -                        | -                  | -  | -   | -                               | -      | -             | -       | -    | -            | -    | -    | -    | EVENT<br>OUT |
| PD12 | -      | -         | TIM4_CH1               | -                        | -                  | -  | -   | -                               | -      | -             | -       | -    | -            | -    | -    | -    | EVENT<br>OUT |
| PD13 | -      | -         | TIM4_CH2               | -                        | -                  | -  | -   | -                               | -      | -             | -       | -    | -            | -    | -    | -    | EVENT<br>OUT |
| PD14 | -      | -         | TIM4_CH3               | -                        | -                  | -  | -   | -                               | -      | -             | -       | -    | -            | -    | -    | -    | EVENT<br>OUT |
| PD15 | -      | -         | TIM4_CH4               | -                        | -                  | -  | -   | -                               | -      | -             | -       | -    | -            | -    | -    | -    | EVENT<br>OUT |

Port D

**Table 9. Alternate function mapping (continued)**

| Port | AF00     | AF01      | AF02                   | AF03                     | AF04               | AF05                                     | AF06  | AF07                            | AF08   | AF09          | AF10    | AF11 | AF12 | AF13 | AF14 | AF15 |              |
|------|----------|-----------|------------------------|--------------------------|--------------------|--|---|---------------------------------|--------|---------------|---------|------|------|------|------|------|--------------|
|      | SYS_AF   | TIM1/TIM2 | TIM3/<br>TIM4/<br>TIM5 | TIM9/<br>TIM10/<br>TIM11 | I2C1/I2C2/<br>I2C3 | SPI1/I2S1S<br>PI2/<br>I2S2/SPI3/<br>I2S3 | SPI2/I2S2/<br>SPI3/<br>I2S3/SPI4/<br>I2S4/SPI5/<br>I2S5 | SPI3/I2S3/<br>USART1/<br>USART2 | USART6 | I2C2/<br>I2C3 | OTG1_FS |      | SDIO |      |      |      |              |
| PE0  | -        | -         | TIM4_ETR               | -                        | -                  | -  | -   | -                               | -      | -             | -       | -    | -    | -    | -    | -    | EVENT<br>OUT |
| PE1  | -        | -         |                        | -                        | -                  | -  | -   | -                               | -      | -             | -       | -    | -    | -    | -    | -    | EVENT<br>OUT |
| PE2  | TRACECLK | -         | -                      | -                        | -                  | SPI4_SCK/I<br>2S4_CK                     | SPI5_SCK/I2<br>S5_CK                                    | -                               | -      | -             | -       | -    | -    | -    | -    | -    | EVENT<br>OUT |
| PE3  | TRACED0  | -         | -                      | -                        | -                  | -  | -   | -                               | -      | -             | -       | -    | -    | -    | -    | -    | EVENT<br>OUT |
| PE4  | TRACED1  | -         | -                      | -                        | -                  | SPI4_NSS/I<br>2S4_WS                     | SPI5_NSS/I2<br>S5_WS                                    | -                               | -      | -             | -       | -    | -    | -    | -    | -    | EVENT<br>OUT |
| PE5  | TRACED2  | -         | -                      | TIM9_CH1                 | -                  | SPI4_MISO                                | SPI5_MISO   | -                               | -      | -             | -       | -    | -    | -    | -    | -    | EVENT<br>OUT |
| PE6  | TRACED3  | -         | -                      | TIM9_CH2                 | -                  | SPI4_MOSI<br>/I2S4_SD                    | SPI5_MOSI/I<br>2S5_SD                                   | -                               | -      | -             | -       | -    | -    | -    | -    | -    | EVENT<br>OUT |
| PE7  | -        | TIM1_ETR  | -                      | -                        | -                  | -  | -   | -                               | -      | -             | -       | -    | -    | -    | -    | -    | EVENT<br>OUT |
| PE8  | -        | TIM1_CH1N | -                      | -                        | -                  | -  | -   | -                               | -      | -             | -       | -    | -    | -    | -    | -    | EVENT<br>OUT |
| PE9  | -        | TIM1_CH1  | -                      | -                        | -                  | -  | -   | -                               | -      | -             | -       | -    | -    | -    | -    | -    | EVENT<br>OUT |
| PE10 | -        | TIM1_CH2N | -                      | -                        | -                  | -  | -   | -                               | -      | -             | -       | -    | -    | -    | -    | -    | EVENT<br>OUT |
| PE11 | -        | TIM1_CH2  | -                      | -                        | -                  | SPI4_NSS/I<br>2S4_WS                     | SPI5_NSS/I2<br>S5_WS                                    | -                               | -      | -             | -       | -    | -    | -    | -    | -    | EVENT<br>OUT |
| PE12 | -        | TIM1_CH3N | -                      | -                        | -                  | SPI4_SCK/I<br>2S4_CK                     | SPI5_SCK/I2<br>S5_CK                                    | -                               | -      | -             | -       | -    | -    | -    | -    | -    | EVENT<br>OUT |
| PE13 | -        | TIM1_CH3  | -                      | -                        | -                  | SPI4_MISO                                | SPI5_MISO   | -                               | -      | -             | -       | -    | -    | -    | -    | -    | EVENT<br>OUT |
| PE14 | -        | TIM1_CH4  | -                      | -                        | -                  | SPI4_MOSI<br>/I2S4_SD                    | SPI5_MOSI/I<br>2S5_SD                                   | -                               | -      | -             | -       | -    | -    | -    | -    | -    | EVENT<br>OUT |
| PE15 | -        | TIM1_BKIN | -                      | -                        | -                  | -  | -   | -                               | -      | -             | -       | -    | -    | -    | -    | -    | EVENT<br>OUT |

Port E



Table 9. Alternate function mapping (continued)

| Port         | AF00   | AF01      | AF02                | AF03                     | AF04               | AF05                                     | AF06  | AF07                            | AF08   | AF09          | AF10    | AF11 | AF12 | AF13 | AF14 | AF15 |
|--------------|--------|-----------|---------------------|--------------------------|--------------------|--|---|---------------------------------|--------|---------------|---------|------|------|------|------|------|
|              | SYS_AF | TIM1/TIM2 | TIM3/<br>TIM4/ TIM5 | TIM9/<br>TIM10/<br>TIM11 | I2C1/I2C2/<br>I2C3 | SPI1/I2S1S<br>PI2/<br>I2S2/SPI3/<br>I2S3 | SPI2/I2S2/<br>SPI3/<br>I2S3/SPI4/<br>I2S4/SPI5/<br>I2S5 | SPI3/I2S3/<br>USART1/<br>USART2 | USART6 | I2C2/<br>I2C3 | OTG1_FS |      | SDIO |      |      |      |
| PortH<br>PH0 | -      | -         | -                   | -                        | -                  | -  | -   | -                               | -      | -             | -       | -    | -    | -    | -    | -    |
| PH1          | -      | -         | -                   | -                        | -                  | -  | -   | -                               | -      | -             | -       | -    | -    | -    | -    | -    |

# 5 Memory mapping

The memory map is shown in [Figure 14](#).

Figure 14. Memory map

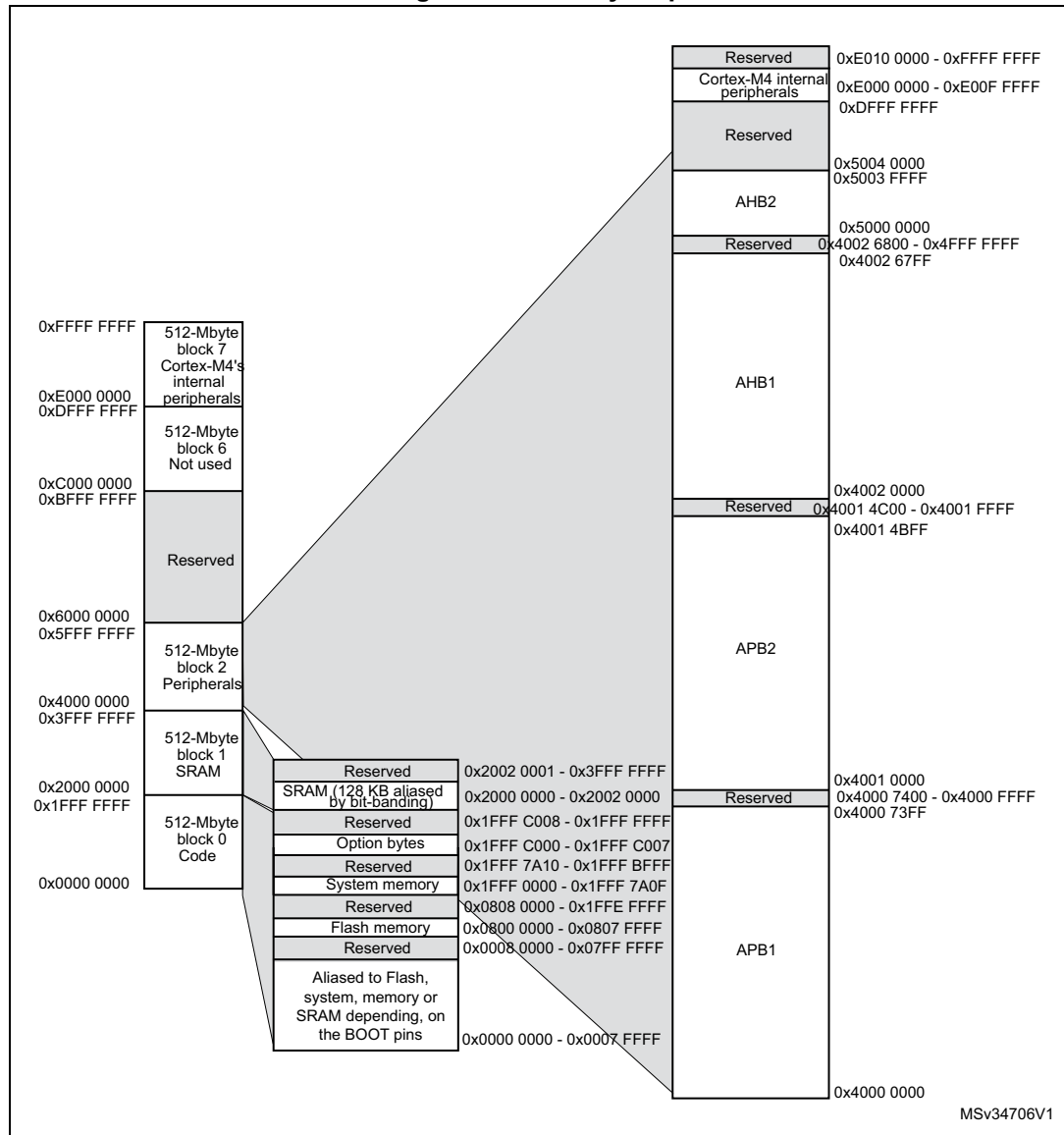


Table 10. STM32F411xC/xE register boundary addresses

| Bus                     | Boundary address          | Peripheral                     |
|-------------------------|---------------------------|--------------------------------|
|                         | 0xE010 0000 - 0xFFFF FFFF | Reserved                       |
| Cortex <sup>®</sup> -M4 | 0xE000 0000 - 0xE00F FFFF | Cortex-M4 internal peripherals |
|                         | 0x5004 0000 - 0xDFFF FFFF | Reserved                       |

**Table 10. STM32F411xC/xE  
register boundary addresses (continued)**

| Bus  | Boundary address          | Peripheral               |
|------|---------------------------|--------------------------|
| AHB2 | 0x5000 0000 - 0x5003 FFFF | USB OTG FS               |
| AHB1 | 0x4002 6800 - 0x4FFF FFFF | Reserved                 |
|      | 0x4002 6400 - 0x4002 67FF | DMA2                     |
|      | 0x4002 6000 - 0x4002 63FF | DMA1                     |
|      | 0x4002 5000 - 0x4002 4FFF | Reserved                 |
|      | 0x4002 3C00 - 0x4002 3FFF | Flash interface register |
|      | 0x4002 3800 - 0x4002 3BFF | RCC                      |
|      | 0x4002 3400 - 0x4002 37FF | Reserved                 |
|      | 0x4002 3000 - 0x4002 33FF | CRC                      |
|      | 0x4002 2000 - 0x4002 2FFF | Reserved                 |
|      | 0x4002 1C00 - 0x4002 1FFF | GPIOH                    |
|      | 0x4002 1400 - 0x4002 1BFF | Reserved                 |
|      | 0x4002 1000 - 0x4002 13FF | GPIOE                    |
|      | 0x4002 0C00 - 0x4002 0FFF | GPIOD                    |
|      | 0x4002 0800 - 0x4002 0BFF | GPIOC                    |
|      | 0x4002 0400 - 0x4002 07FF | GPIOB                    |
|      | 0x4002 0000 - 0x4002 03FF | GPIOA                    |

**Table 10. STM32F411xC/xE  
register boundary addresses (continued)**

| Bus  | Boundary address           | Peripheral |
|------|----------------------------|------------|
| APB2 | 0x4001 5400 - 0x4001 FFFF  | Reserved   |
|      | 0x4001 5000 - 0x4001 53FFF | SPI5/I2S5  |
|      | 0x4001 4800 - 0x4001 4BFF  | TIM11      |
|      | 0x4001 4400 - 0x4001 47FF  | TIM10      |
|      | 0x4001 4000 - 0x4001 43FF  | TIM9       |
|      | 0x4001 3C00 - 0x4001 3FFF  | EXTI       |
|      | 0x4001 3800 - 0x4001 3BFF  | SYSCFG     |
|      | 0x4001 3400 - 0x4001 37FF  | SPI4/I2S4  |
|      | 0x4001 3000 - 0x4001 33FF  | SPI1/I2S1  |
|      | 0x4001 2C00 - 0x4001 2FFF  | SDIO       |
|      | 0x4001 2400 - 0x4001 2BFF  | Reserved   |
|      | 0x4001 2000 - 0x4001 23FF  | ADC1       |
|      | 0x4001 1800 - 0x4001 1FFF  | Reserved   |
|      | 0x4001 1400 - 0x4001 17FF  | USART6     |
|      | 0x4001 1000 - 0x4001 13FF  | USART1     |
|      | 0x4001 0400 - 0x4001 0FFF  | Reserved   |
|      | 0x4001 0000 - 0x4001 03FF  | TIM1       |
|      | 0x4000 7400 - 0x4000 FFFF  | Reserved   |

**Table 10. STM32F411xC/xE  
register boundary addresses (continued)**

| Bus  | Boundary address          | Peripheral          |
|------|---------------------------|---------------------|
| APB1 | 0x4000 7000 - 0x4000 73FF | PWR                 |
|      | 0x4000 6000 - 0x4000 6FFF | Reserved            |
|      | 0x4000 5C00 - 0x4000 5FFF | I2C3                |
|      | 0x4000 5800 - 0x4000 5BFF | I2C2                |
|      | 0x4000 5400 - 0x4000 57FF | I2C1                |
|      | 0x4000 4800 - 0x4000 53FF | Reserved            |
|      | 0x4000 4400 - 0x4000 47FF | USART2              |
|      | 0x4000 4000 - 0x4000 43FF | I2S3ext             |
|      | 0x4000 3C00 - 0x4000 3FFF | SPI3 / I2S3         |
|      | 0x4000 3800 - 0x4000 3BFF | SPI2 / I2S2         |
|      | 0x4000 3400 - 0x4000 37FF | I2S2ext             |
|      | 0x4000 3000 - 0x4000 33FF | IWDG                |
|      | 0x4000 2C00 - 0x4000 2FFF | WWDG                |
|      | 0x4000 2800 - 0x4000 2BFF | RTC & BKP Registers |
|      | 0x4000 1000 - 0x4000 27FF | Reserved            |
|      | 0x4000 0C00 - 0x4000 0FFF | TIM5                |
|      | 0x4000 0800 - 0x4000 0BFF | TIM4                |
|      | 0x4000 0400 - 0x4000 07FF | TIM3                |
|      | 0x4000 0000 - 0x4000 03FF | TIM2                |



## 6 Electrical characteristics

### 6.1 Parameter conditions

Unless otherwise specified, all voltages are referenced to  $V_{SS}$ .

#### 6.1.1 Minimum and maximum values

Unless otherwise specified the minimum and maximum values are guaranteed in the worst conditions of ambient temperature, supply voltage and frequencies by tests in production on 100% of the devices with an ambient temperature at  $T_A = 25\text{ }^\circ\text{C}$  and  $T_A = T_{A\text{max}}$  (given by the selected temperature range).

Data based on characterization results, design simulation and/or technology characteristics are indicated in the table footnotes and are not tested in production. Based on characterization, the minimum and maximum values refer to sample tests and represent the mean value plus or minus three times the standard deviation (mean  $\pm 3\sigma$ ).

#### 6.1.2 Typical values

Unless otherwise specified, typical data are based on  $T_A = 25\text{ }^\circ\text{C}$ ,  $V_{DD} = 3.3\text{ V}$  (for the  $1.7\text{ V} \leq V_{DD} \leq 3.6\text{ V}$  voltage range). They are given only as design guidelines and are not tested.

Typical ADC accuracy values are determined by characterization of a batch of samples from a standard diffusion lot over the full temperature range, where 95% of the devices have an error less than or equal to the value indicated (mean  $\pm 2\sigma$ ).

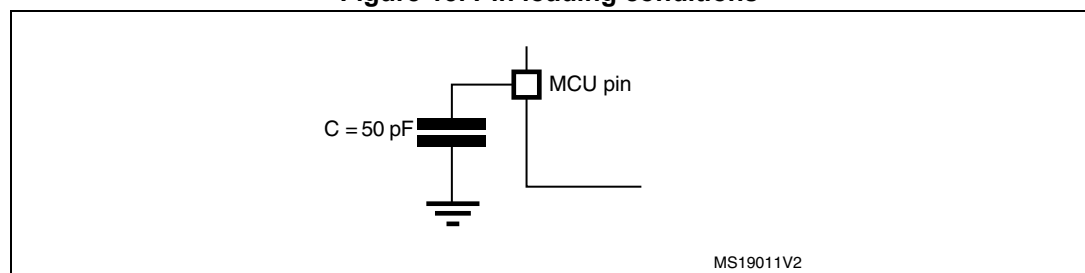
#### 6.1.3 Typical curves

Unless otherwise specified, all typical curves are given only as design guidelines and are not tested.

#### 6.1.4 Loading capacitor

The loading conditions used for pin parameter measurement are shown in [Figure 15](#).

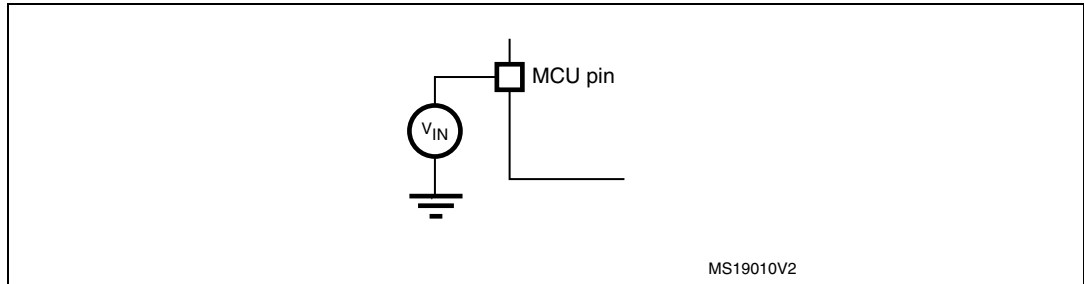
**Figure 15. Pin loading conditions**



### 6.1.5 Pin input voltage

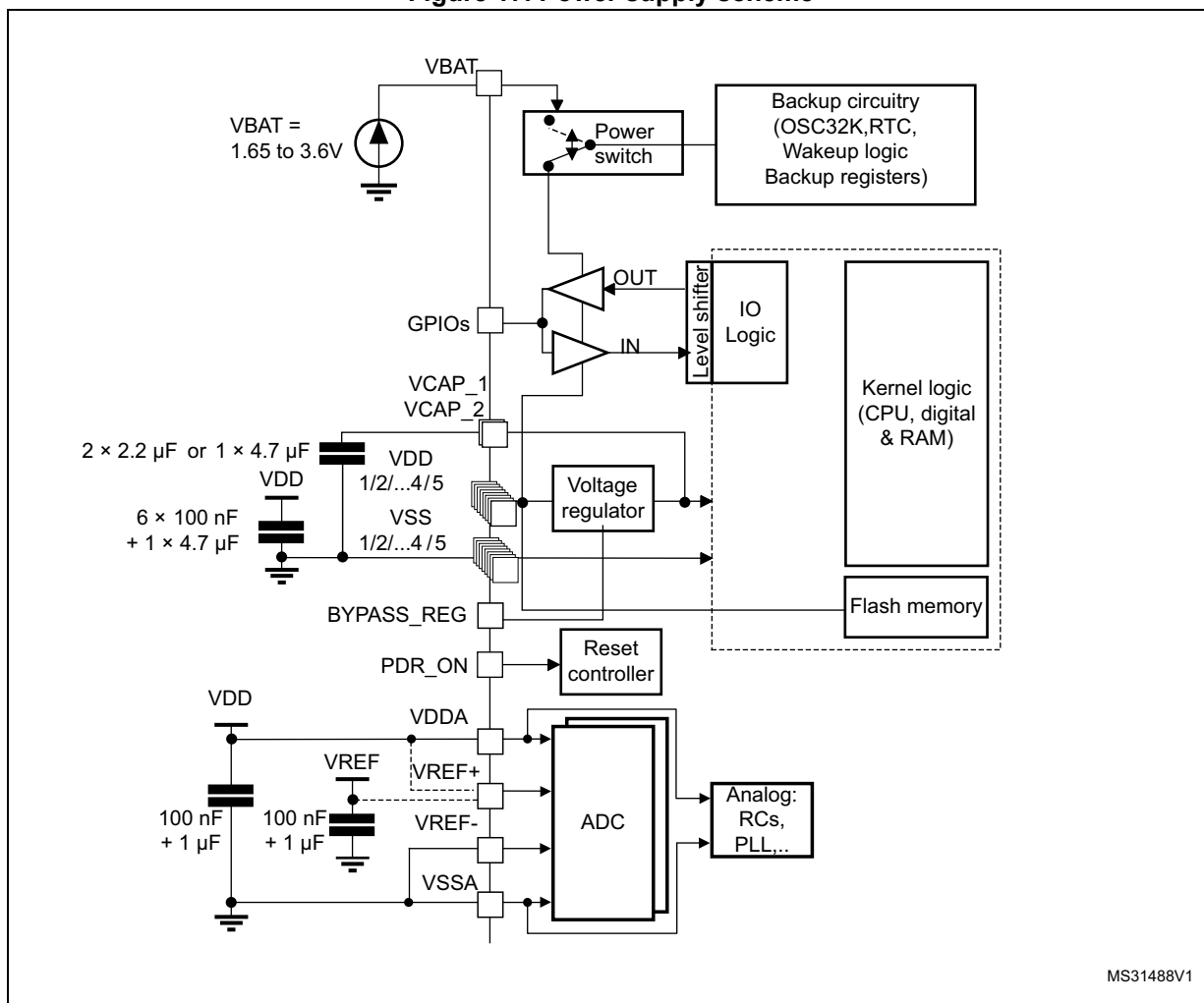
The input voltage measurement on a pin of the device is described in [Figure 16](#).

**Figure 16. Input voltage measurement**



6.1.6 Power supply scheme

Figure 17. Power supply scheme



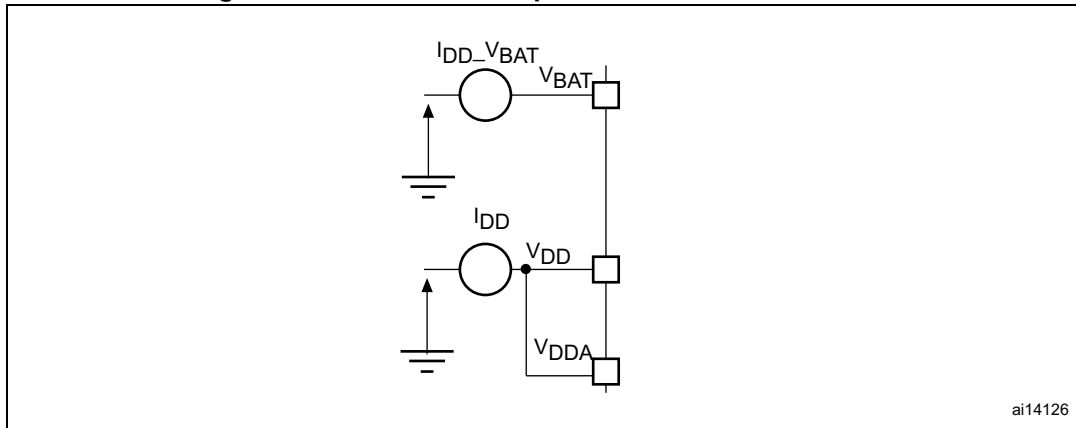
MS31488V1

1. To connect PDR\_ON pin, refer to [Section 3.15: Power supply supervisor](#).
2. The 4.7 µF ceramic capacitor must be connected to one of the V<sub>DD</sub> pin.
3. VCAP\_2 pad is only available on LQFP100 and UFBGA100 packages.
4. V<sub>DDA</sub>=V<sub>DD</sub> and V<sub>SSA</sub>=V<sub>SS</sub>.

**Caution:** Each power supply pair (for example V<sub>DD</sub>/V<sub>SS</sub>, V<sub>DDA</sub>/V<sub>SSA</sub>) must be decoupled with filtering ceramic capacitors as shown above. These capacitors must be placed as close as possible to, or below, the appropriate pins on the underside of the PCB to ensure good operation of the device. It is not recommended to remove filtering capacitors to reduce PCB size or cost. This might cause incorrect operation of the device.

### 6.1.7 Current consumption measurement

Figure 18. Current consumption measurement scheme



## 6.2 Absolute maximum ratings

Stresses above the absolute maximum ratings listed in [Table 11: Voltage characteristics](#), [Table 12: Current characteristics](#), and [Table 13: Thermal characteristics](#) may cause permanent damage to the device. These are stress ratings only and functional operation of the device at these conditions is not implied. Exposure to maximum rating conditions for extended periods may affect device reliability.

Table 11. Voltage characteristics

| Symbol             | Ratings   | Min   | Max          | Unit |
|--------------------|---|---|--------------|------|
| $V_{DD}-V_{SS}$    | External main supply voltage (including $V_{DDA}$ , $V_{DD}$ and $V_{BAT}$ ) <sup>(1)</sup> | -0.3  | 4.0          | V    |
| $V_{IN}$           | Input voltage on FT and TC pins <sup>(2)</sup>  | $V_{SS}-0.3$  | $V_{DD}+4.0$ |      |
|                    | Input voltage on any other pin  | $V_{SS}-0.3$  | 4.0          |      |
|                    | Input voltage for BOOT0   | $V_{SS}$  | 9.0          |      |
| $ \Delta V_{DDx} $ | Variations between different $V_{DD}$ power pins  | -   | 50           | mV   |
| $ V_{SSx}-V_{SS} $ | Variations between all the different ground pins  | -   | 50           |      |
| $V_{ESD(HBM)}$     | Electrostatic discharge voltage (human body model)  | see <a href="#">Section 6.3.14: Absolute maximum ratings (electrical sensitivity)</a> |              |      |

1. All main power ( $V_{DD}$ ,  $V_{DDA}$ ) and ground ( $V_{SS}$ ,  $V_{SSA}$ ) pins must always be connected to the external power supply, in the permitted range.
2.  $V_{IN}$  maximum value must always be respected. Refer to [Table 12](#) for the values of the maximum allowed injected current.

**Table 12. Current characteristics**

| Symbol                        | Ratings   | Max.  | Unit |
|-------------------------------|---|-------|------|
| $\Sigma I_{VDD}$              | Total current into sum of all $V_{DD\_x}$ power lines (source) <sup>(1)</sup>   | 160   | mA   |
| $\Sigma I_{VSS}$              | Total current out of sum of all $V_{SS\_x}$ ground lines (sink) <sup>(1)</sup>  | -160  |      |
| $I_{VDD}$                     | Maximum current into each $V_{DD\_x}$ power line (source) <sup>(1)</sup>        | 100   |      |
| $I_{VSS}$                     | Maximum current out of each $V_{SS\_x}$ ground line (sink) <sup>(1)</sup>       | -100  |      |
| $I_{IO}$                      | Output current sunk by any I/O and control pin                                  | 25    |      |
|                               | Output current sourced by any I/O and control pin                               | -25   |      |
| $\Sigma I_{IO}$               | Total output current sunk by sum of all I/O and control pins <sup>(2)</sup>     | 120   |      |
|                               | Total output current sourced by sum of all I/Os and control pins <sup>(2)</sup> | -120  |      |
| $I_{INJ(PIN)}$ <sup>(3)</sup> | Injected current on FT and TC pins <sup>(4)</sup>                               | -5/+0 |      |
|                               | Injected current on NRST and B pins <sup>(4)</sup>                              |       |      |
| $\Sigma I_{INJ(PIN)}$         | Total injected current (sum of all I/O and control pins) <sup>(5)</sup>         | ±25   |      |

1. All main power ( $V_{DD}$ ,  $V_{DDA}$ ) and ground ( $V_{SS}$ ,  $V_{SSA}$ ) pins must always be connected to the external power supply, in the permitted range.
2. This current consumption must be correctly distributed over all I/Os and control pins.
3. Negative injection disturbs the analog performance of the device. See note in [Section 6.3.20: 12-bit ADC characteristics](#).
4. Positive injection is not possible on these I/Os and does not occur for input voltages lower than the specified maximum value.
5. When several inputs are submitted to a current injection, the maximum  $\Sigma I_{INJ(PIN)}$  is the absolute sum of the positive and negative injected currents (instantaneous values).

**Table 13. Thermal characteristics**

| Symbol     | Ratings   | Value                   | Unit |
|------------|---|-------------------------|------|
| $T_{STG}$  | Storage temperature range   | -65 to +150             | °C   |
| $T_J$      | Maximum junction temperature  | 130                     |      |
| $T_{LEAD}$ | Maximum lead temperature during soldering (WLCSP49, LQFP64/100, UFQFPN48, UFBGA100) | see note <sup>(1)</sup> |      |

1. Compliant with JEDEC Std J-STD-020D (for small body, Sn-Pb or Pb assembly), the ST ECOPACK<sup>®</sup> 7191395 specification, and the European directive on Restrictions on Hazardous Substances (ROHS directive 2011/65/EU, July 2011).

## 6.3 Operating conditions

### 6.3.1 General operating conditions

Table 14. General operating conditions

| Symbol                             | Parameter  | Conditions   | Min                 | Typ  | Max                 | Unit |
|------------------------------------|--|--|---------------------|------|---------------------|------|
| f <sub>HCLK</sub>                  | Internal AHB clock frequency   | Power Scale3: Regulator ON,<br>VOS[1:0] bits in PWR_CR register = 0x01 | 0                   | -    | 64                  | MHz  |
|                                    |  | Power Scale2: Regulator ON,<br>VOS[1:0] bits in PWR_CR register = 0x10 | 0                   | -    | 84                  |      |
|                                    |  | Power Scale1: Regulator ON,<br>VOS[1:0] bits in PWR_CR register = 0x11 | 0                   | -    | 100                 |      |
| f <sub>PCLK1</sub>                 | Internal APB1 clock frequency  |  | 0                   | -    | 50                  | MHz  |
| f <sub>PCLK2</sub>                 | Internal APB2 clock frequency  |  | 0                   | -    | 100                 | MHz  |
| V <sub>DD</sub>                    | Standard operating voltage   |  | 1.7 <sup>(1)</sup>  | -    | 3.6                 | V    |
| V <sub>DDA</sub> <sup>(2)(3)</sup> | Analog operating voltage<br>(ADC limited to 1.2 M samples)                               | Must be the same potential as V <sub>DD</sub> <sup>(4)</sup>           | 1.7 <sup>(1)</sup>  | -    | 2.4                 | V    |
|                                    | Analog operating voltage<br>(ADC limited to 2.4 M samples)                               |  | 2.4                 | -    | 3.6                 |      |
| V <sub>BAT</sub>                   | Backup operating voltage   |  | 1.65                | -    | 3.6                 | V    |
| V <sub>12</sub>                    | Regulator ON: 1.2 V internal voltage on VCAP_1/VCAP_2 pins                               | VOS[1:0] bits in PWR_CR register = 0x01<br>Max frequency 64 MHz        | 1.08 <sup>(5)</sup> | 1.14 | 1.20 <sup>(5)</sup> | V    |
|                                    |  | VOS[1:0] bits in PWR_CR register = 0x10<br>Max frequency 84 MHz        | 1.20 <sup>(5)</sup> | 1.26 | 1.32 <sup>(5)</sup> |      |
|                                    |  | VOS[1:0] bits in PWR_CR register = 0x11<br>Max frequency 100 MHz       | 1.26                | 1.32 | 1.38                |      |
| V <sub>12</sub>                    | Regulator OFF: 1.2 V external voltage must be supplied on VCAP_1/VCAP_2 pins             | Max frequency 64 MHz   | 1.10                | 1.14 | 1.20                | V    |
|                                    |  | Max frequency 84 MHz   | 1.20                | 1.26 | 1.32                |      |
|                                    |  | Max frequency 100 MHz  | 1.26                | 1.32 | 1.38                |      |
| V <sub>IN</sub>                    | Input voltage on RST, FT and TC pins <sup>(6)</sup>                                      | 2 V ≤ V <sub>DD</sub> ≤ 3.6 V  | -0.3                | -    | 5.5                 | V    |
|                                    |  | V <sub>DD</sub> ≤ 2 V  | -0.3                | -    | 5.2                 |      |
|                                    | Input voltage on BOOT0 pin   | -  | 0                   | -    | 9                   |      |
| P <sub>D</sub>                     | Power dissipation at T <sub>A</sub> = 85 °C (range 6) or 105 °C (range 7) <sup>(7)</sup> | UFQFPN48   | -                   | -    | 625                 | mW   |
|                                    |  | WLCSP49  | -                   | -    | 392                 |      |
|                                    |  | LQFP64   | -                   | -    | 425                 |      |
|                                    |  | LQFP100  | -                   | -    | 465                 |      |
|                                    |  | UFBGA100   | -                   | -    | 323                 |      |

Table 14. General operating conditions (continued)

| Symbol         | Parameter   | Conditions                           | Min  | Typ | Max | Unit |
|----------------|---|--------------------------------------|------|-----|-----|------|
| P <sub>D</sub> | Power dissipation at T <sub>A</sub> = 125 °C (range 3) <sup>(7)</sup> | UFQFPN48                             | -    | -   | 156 | mW   |
|                |   | WLCSP49                              | -    | -   | 98  |      |
|                |   | LQFP64                               | -    | -   | 106 |      |
|                |   | LQFP100                              | -    | -   | 116 |      |
|                |   | UFBGA100                             | -    | -   | 81  |      |
| T <sub>A</sub> | Ambient temperature for range 6                                       | Maximum power dissipation            | - 40 | -   | 85  | °C   |
|                |   | Low power dissipation <sup>(8)</sup> | - 40 | -   | 105 |      |
|                | Ambient temperature for range 7                                       | Maximum power dissipation            | - 40 | -   | 105 |      |
|                |   | Low power dissipation <sup>(8)</sup> | - 40 | -   | 125 |      |
|                | Ambient temperature for range 3                                       | Maximum power dissipation            | - 40 | -   | 110 |      |
|                |   | Low power dissipation <sup>(8)</sup> | - 40 | -   | 130 |      |
| T <sub>J</sub> | Junction temperature range  | Range 6                              | - 40 | -   | 105 |      |
|                |   | Range 7                              | - 40 | -   | 125 |      |
|                |   | Range 3                              | - 40 | -   | 130 |      |

- V<sub>DD</sub>/V<sub>DDA</sub> minimum value of 1.7 V with the use of an external power supply supervisor (refer to [Section 3.15.2: Internal reset OFF](#)).
- When the ADC is used, refer to [Table 65: ADC characteristics](#).
- If VREF+ pin is present, it must respect the following condition: V<sub>DDA</sub>-VREF+ < 1.2 V.
- It is recommended to power V<sub>DD</sub> and V<sub>DDA</sub> from the same source. A maximum difference of 300 mV between V<sub>DD</sub> and V<sub>DDA</sub> can be tolerated during power-up and power-down operation.
- Guaranteed by test in production.
- To sustain a voltage higher than V<sub>DD</sub>+0.3, the internal Pull-up and Pull-Down resistors must be disabled
- If T<sub>A</sub> is lower, higher P<sub>D</sub> values are allowed as long as T<sub>J</sub> does not exceed T<sub>Jmax</sub>.
- In low power dissipation state, T<sub>A</sub> can be extended to this range as long as T<sub>J</sub> does not exceed T<sub>Jmax</sub>.

Table 15. Features depending on the operating power supply range

| Operating power supply range                  | ADC operation                  | Maximum Flash memory access frequency with no wait states (f <sub>Flashmax</sub> ) | Maximum Flash memory access frequency with wait states <sup>(1)(2)</sup> | I/O operation         | Clock output frequency on I/O pins <sup>(3)</sup> | Possible Flash memory operations        |
|---|--------------------------------|--|--|-----------------------|---|---|
| V <sub>DD</sub> = 1.7 to 2.1 V <sup>(4)</sup> | Conversion time up to 1.2 Msps | 16 MHz <sup>(5)</sup>  | 100 MHz with 6 wait states   | - No I/O compensation | up to 30 MHz                                      | 8-bit erase and program operations only |
| V <sub>DD</sub> = 2.1 to 2.4 V                | Conversion time up to 1.2 Msps | 18 MHz   | 100 MHz with 5 wait states   | - No I/O compensation | up to 30 MHz                                      | 16-bit erase and program operations     |



**Table 15. Features depending on the operating power supply range (continued)**

| Operating power supply range             | ADC operation                  | Maximum Flash memory access frequency with no wait states ( $f_{Flashmax}$ ) | Maximum Flash memory access frequency with wait states <sup>(1)(2)</sup> | I/O operation            | Clock output frequency on I/O pins <sup>(3)</sup>   | Possible Flash memory operations    |
|--|--------------------------------|--|--|--------------------------|---|-------------------------------------|
| $V_{DD} = 2.4$ to $2.7$ V                | Conversion time up to 2.4 Msps | 24 MHz   | 100 MHz with 4 wait states   | – I/O compensation works | up to 50 MHz  | 16-bit erase and program operations |
| $V_{DD} = 2.7$ to $3.6$ V <sup>(6)</sup> | Conversion time up to 2.4 Msps | 30 MHz   | 100 MHz with 3 wait states   | – I/O compensation works | – up to 100 MHz when $V_{DD} = 3.0$ to $3.6$ V<br>– up to 50 MHz when $V_{DD} = 2.7$ to $3.0$ V | 32-bit erase and program operations |

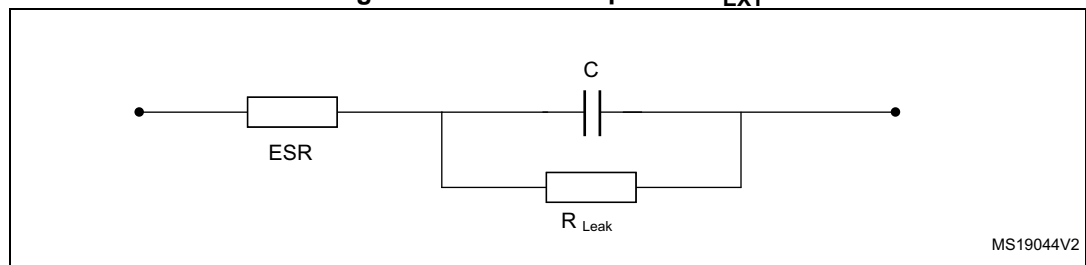
1. Applicable only when the code is executed from Flash memory. When the code is executed from RAM, no wait state is required.
2. Thanks to the ART accelerator and the 128-bit Flash memory, the number of wait states given here does not impact the execution speed from Flash memory since the ART accelerator allows to achieve a performance equivalent to 0 wait state program execution.
3. Refer to [Table 55: I/O AC characteristics](#) for frequencies vs. external load.
4.  $V_{DD}/V_{DDA}$  minimum value of 1.7 V, with the use of an external power supply supervisor (refer to [Section 3.15.2: Internal reset OFF](#)).
5. Prefetch is not available. Refer to AN3430 application note for details on how to adjust performance and power.
6. The voltage range for the USB full speed embedded PHY can drop down to 2.7 V. However the electrical characteristics of D- and D+ pins will be degraded between 2.7 and 3 V.

### 6.3.2 VCAP\_1/VCAP\_2 external capacitors

Stabilization for the main regulator is achieved by connecting the external capacitor  $C_{EXT}$  to the VCAP\_1 and VCAP\_2 pins. For packages supporting only 1 VCAP pin, the 2 CEXT capacitors are replaced by a single capacitor.

$C_{EXT}$  is specified in [Table 16](#).

**Figure 19. External capacitor  $C_{EXT}$**



1. Legend: ESR is the equivalent series resistance.



**Table 16. VCAP\_1/VCAP\_2 operating conditions<sup>(1)</sup>**

| Symbol | Parameter  | Conditions   |
|--------|--|--------------|
| CEXT   | Capacitance of external capacitor with a single VCAP pin available | 4.7 $\mu$ F  |
| ESR    | ESR of external capacitor with a single VCAP pin available         | < 1 $\Omega$ |

1. When bypassing the voltage regulator, the two 2.2  $\mu$ F VCAP capacitors are not required and should be replaced by two 100 nF decoupling capacitors.

### 6.3.3 Operating conditions at power-up/power-down (regulator ON)

Subject to general operating conditions for T<sub>A</sub>.

**Table 17. Operating conditions at power-up / power-down (regulator ON)**

| Symbol           | Parameter                      | Min | Max      | Unit      |
|------------------|--------------------------------|-----|----------|-----------|
| t <sub>VDD</sub> | V <sub>DD</sub> rise time rate | 20  | $\infty$ | $\mu$ s/V |
|                  | V <sub>DD</sub> fall time rate | 20  | $\infty$ |           |

### 6.3.4 Operating conditions at power-up / power-down (regulator OFF)

Subject to general operating conditions for T<sub>A</sub>.

**Table 18. Operating conditions at power-up / power-down (regulator OFF)<sup>(1)</sup>**

| Symbol            | Parameter  | Conditions | Min | Max      | Unit      |
|-------------------|--|------------|-----|----------|-----------|
| t <sub>VDD</sub>  | V <sub>DD</sub> rise time rate                           | Power-up   | 20  | $\infty$ | $\mu$ s/V |
|                   | V <sub>DD</sub> fall time rate                           | Power-down | 20  | $\infty$ |           |
| t <sub>VCAP</sub> | V <sub>CAP_1</sub> and V <sub>CAP_2</sub> rise time rate | Power-up   | 20  | $\infty$ |           |
|                   | V <sub>CAP_1</sub> and V <sub>CAP_2</sub> fall time rate | Power-down | 20  | $\infty$ |           |

1. To reset the internal logic at power-down, a reset must be applied on pin PA0 when V<sub>DD</sub> reach below 1.08 V.

*Note:* This feature is only available for UFBGA100 package.

### 6.3.5 Embedded reset and power control block characteristics

The parameters given in [Table 19](#) are derived from tests performed under ambient temperature and  $V_{DD}$  supply voltage @ 3.3V.

**Table 19. Embedded reset and power control block characteristics**

| Symbol                      | Parameter                                     | Conditions                  | Min                 | Typ  | Max  | Unit |
|-----------------------------|---|-----------------------------|---------------------|------|------|------|
| $V_{PVD}$                   | Programmable voltage detector level selection | PLS[2:0]=000 (rising edge)  | 2.09                | 2.14 | 2.19 | V    |
|                             |   | PLS[2:0]=000 (falling edge) | 1.98                | 2.04 | 2.08 |      |
|                             |   | PLS[2:0]=001 (rising edge)  | 2.23                | 2.30 | 2.37 |      |
|                             |   | PLS[2:0]=001 (falling edge) | 2.13                | 2.19 | 2.25 |      |
|                             |   | PLS[2:0]=010 (rising edge)  | 2.39                | 2.45 | 2.51 |      |
|                             |   | PLS[2:0]=010 (falling edge) | 2.29                | 2.35 | 2.39 |      |
|                             |   | PLS[2:0]=011 (rising edge)  | 2.54                | 2.60 | 2.65 |      |
|                             |   | PLS[2:0]=011 (falling edge) | 2.44                | 2.51 | 2.56 |      |
|                             |   | PLS[2:0]=100 (rising edge)  | 2.70                | 2.76 | 2.82 |      |
|                             |   | PLS[2:0]=100 (falling edge) | 2.59                | 2.66 | 2.71 |      |
|                             |   | PLS[2:0]=101 (rising edge)  | 2.86                | 2.93 | 2.99 |      |
|                             |   | PLS[2:0]=101 (falling edge) | 2.77                | 2.82 | 2.89 |      |
|                             |   | PLS[2:0]=110 (rising edge)  | 2.96                | 3.03 | 3.10 |      |
|                             |   | PLS[2:0]=110 (falling edge) | 2.85                | 2.93 | 2.99 |      |
|                             |   | PLS[2:0]=111 (rising edge)  | 3.07                | 3.14 | 3.21 |      |
| PLS[2:0]=111 (falling edge) | 2.95  | 3.03                        | 3.09                |      |      |      |
| $V_{PVDhyst}^{(2)}$         | PVD hysteresis                                | -                           | -                   | 100  | -    | mV   |
| $V_{POR/PDR}$               | Power-on/power-down reset threshold           | Falling edge                | 1.60 <sup>(1)</sup> | 1.68 | 1.76 | V    |
|                             |   | Rising edge                 | 1.64                | 1.72 | 1.80 |      |
| $V_{PDRhyst}^{(2)}$         | PDR hysteresis                                | -                           | -                   | 40   | -    | mV   |
| $V_{BOR1}$                  | Brownout level 1 threshold                    | Falling edge                | 2.13                | 2.19 | 2.24 | V    |
|                             |   | Rising edge                 | 2.23                | 2.29 | 2.33 |      |
| $V_{BOR2}$                  | Brownout level 2 threshold                    | Falling edge                | 2.44                | 2.50 | 2.56 |      |
|                             |   | Rising edge                 | 2.53                | 2.59 | 2.63 |      |
| $V_{BOR3}$                  | Brownout level 3 threshold                    | Falling edge                | 2.75                | 2.83 | 2.88 |      |
|                             |   | Rising edge                 | 2.85                | 2.92 | 2.97 |      |
| $V_{BORhyst}^{(2)}$         | BOR hysteresis                                | -                           | -                   | 100  | -    | mV   |
| $T_{RSTTEMPO}^{(2)(3)}$     | POR reset timing                              | -                           | 0.5                 | 1.5  | 3.0  | ms   |

Table 19. Embedded reset and power control block characteristics (continued)

| Symbol           | Parameter  | Conditions  | Min | Typ | Max | Unit          |
|------------------|--|---|-----|-----|-----|---------------|
| $I_{RUSH}^{(2)}$ | In-Rush current on voltage regulator power-on (POR or wakeup from Standby) | -   | -   | 160 | 200 | mA            |
| $E_{RUSH}^{(2)}$ | In-Rush energy on voltage regulator power-on (POR or wakeup from Standby)  | $V_{DD} = 1.7\text{ V}$ , $T_A = 125\text{ °C}$ ,<br>$I_{RUSH} = 171\text{ mA}$ for $31\text{ }\mu\text{s}$ | -   | -   | 5.4 | $\mu\text{C}$ |

1. The product behavior is guaranteed by design down to the minimum  $V_{POR/PDR}$  value.
2. Guaranteed by design.
3. The reset timing is measured from the power-on (POR reset or wakeup from  $V_{BAT}$ ) to the instant when first instruction is fetched by the user application code.

### 6.3.6 Supply current characteristics

The current consumption is a function of several parameters and factors such as the operating voltage, ambient temperature, I/O pin loading, device software configuration, operating frequencies, I/O pin switching rate, program location in memory and executed binary code.

The current consumption is measured as described in [Figure 18: Current consumption measurement scheme](#).

All the run-mode current consumption measurements given in this section are performed with a reduced code that gives a consumption equivalent to CoreMark code.

#### Typical and maximum current consumption

The MCU is placed under the following conditions:

- All I/O pins are in input mode with a static value at VDD or VSS (no load).
- All peripherals are disabled except if it is explicitly mentioned.
- The Flash memory access time is adjusted to both  $f_{HCLK}$  frequency and VDD ranges (refer to [Table 15: Features depending on the operating power supply range](#)).
- The voltage scaling is adjusted to  $f_{HCLK}$  frequency as follows:
  - Scale 3 for  $f_{HCLK} \leq 64\text{ MHz}$
  - Scale 2 for  $64\text{ MHz} < f_{HCLK} \leq 84\text{ MHz}$
  - Scale 1 for  $84\text{ MHz} < f_{HCLK} \leq 100\text{ MHz}$
- The system clock is HCLK,  $f_{PCLK1} = f_{HCLK}/2$ , and  $f_{PCLK2} = f_{HCLK}$ .
- External clock is 4 MHz and PLL is ON except if it is explicitly mentioned.
- The maximum values are obtained for  $V_{DD} = 3.6\text{ V}$  and a maximum ambient temperature ( $T_A$ ), and the typical values for  $T_A = 25\text{ °C}$  and  $V_{DD} = 3.3\text{ V}$  unless otherwise specified.

**Table 20. Typical and maximum current consumption, code with data processing (ART accelerator disabled) running from SRAM - V<sub>DD</sub> = 1.7 V**

| Symbol          | Parameter                         | Conditions  | f <sub>HCLK</sub><br>(MHz) | Typ                       | Max <sup>(1)</sup>        |                           |                            |                            |    | Unit |
|-----------------|-----------------------------------|---|----------------------------|---------------------------|---------------------------|---------------------------|----------------------------|----------------------------|----|------|
|                 |                                   |   |                            | T <sub>A</sub> =<br>25 °C | T <sub>A</sub> =<br>25 °C | T <sub>A</sub> =<br>85 °C | T <sub>A</sub> =<br>105 °C | T <sub>A</sub> =<br>125 °C |    |      |
| I <sub>DD</sub> | Supply current in <b>Run mode</b> | External clock, PLL ON <sup>(2)</sup> , all peripherals enabled <sup>(3)(4)</sup> | 100                        | 21.4                      | 23.0                      | 23.6                      | 24.0                       | 25.0                       | mA |      |
|                 |                                   |   | 84                         | 17.2                      | 18.9 <sup>(5)</sup>       | 19.1                      | 19.2                       | 20.2                       |    |      |
|                 |                                   |   | 64                         | 11.9                      | 12.9                      | 13.2                      | 13.7                       | 14.6                       |    |      |
|                 |                                   |   | 50                         | 9.4                       | 10.1                      | 10.4                      | 11.0                       | 11.9                       |    |      |
|                 |                                   |   | 20                         | 4.3                       | 4.8                       | 5.0                       | 5.6                        | 6.5                        |    |      |
|                 |                                   | HSI, PLL off, all peripherals enabled <sup>(4)</sup>                              | 16                         | 3.0                       | 3.3                       | 3.6                       | 4.3                        | 5.2                        |    |      |
|                 |                                   |   | 1                          | 0.5                       | 0.7                       | 1.0                       | 1.7                        | 2.6                        |    |      |
|                 |                                   | External clock, PLL on <sup>(2)</sup> all peripherals disabled <sup>(3)</sup>     | 100                        | 12.7                      | 14.0                      | 14.4                      | 14.8                       | 15.8                       |    |      |
|                 |                                   |   | 84                         | 10.2                      | 11.6 <sup>(5)</sup>       | 11.8                      | 12.0                       | 13.0                       |    |      |
|                 |                                   |   | 64                         | 7.1                       | 7.9                       | 8.2                       | 8.7                        | 9.7                        |    |      |
|                 |                                   |   | 50                         | 5.6                       | 6.3                       | 6.5                       | 7.1                        | 8.0                        |    |      |
|                 |                                   |   | 20                         | 2.5                       | 3.0                       | 3.3                       | 3.9                        | 4.8                        |    |      |
|                 |                                   | HSI, PLL off, all peripherals disabled <sup>(4)</sup>                             | 16                         | 1.9                       | 2.1                       | 2.4                       | 3.0                        | 3.9                        |    |      |
|                 |                                   |   | 1                          | 0.4                       | 0.5                       | 0.9                       | 1.6                        | 2.5                        |    |      |

1. Guaranteed by characterization results.
2. Refer to [Table 41](#) and RM0383 for the possible PLL VCO setting
3. When analog peripheral blocks such as ADC, HSE, LSE, HSI, or LSI are ON, an additional power consumption has to be considered.
4. When the ADC is ON (ADON bit set in the ADC\_CR2 register), add an additional power consumption of 1.6 mA for the analog part.
5. Guaranteed by test in production.

**Table 21. Typical and maximum current consumption, code with data processing (ART accelerator disabled) running from SRAM - V<sub>DD</sub> = 3.6 V**

| Symbol          | Parameter                  | Conditions  | f <sub>HCLK</sub><br>(MHz) | Typ  | Max <sup>(1)</sup>        |                           |                            |                            | Unit |
|-----------------|----------------------------|---|----------------------------|------|---------------------------|---------------------------|----------------------------|----------------------------|------|
|                 |                            |   |                            |      | T <sub>A</sub> =<br>25 °C | T <sub>A</sub> =<br>85 °C | T <sub>A</sub> =<br>105 °C | T <sub>A</sub> =<br>125 °C |      |
| I <sub>DD</sub> | Supply current in Run mode | External clock, PLL ON <sup>(2)</sup> , all peripherals enabled <sup>(3)(4)</sup> | 100                        | 21.7 | 23.3                      | 23.9                      | 24.3                       | 25.3                       | mA   |
|                 |                            |   | 84                         | 17.5 | 19.2 <sup>(5)</sup>       | 19.4                      | 19.5                       | 20.5                       |      |
|                 |                            |   | 64                         | 12.2 | 13.2                      | 13.5                      | 14.0                       | 14.9                       |      |
|                 |                            |   | 50                         | 9.6  | 10.4                      | 10.7                      | 11.2                       | 12.1                       |      |
|                 |                            |   | 20                         | 4.5  | 5.0                       | 5.3                       | 5.9                        | 6.8                        |      |
|                 |                            | HSI, PLL OFF, all peripherals enabled <sup>(3)</sup>                              | 16                         | 3.0  | 3.3                       | 3.6                       | 4.3                        | 5.2                        |      |
|                 |                            |   | 1                          | 0.5  | 0.7                       | 1.0                       | 1.7                        | 2.6                        |      |
|                 |                            | External clock, PLL OFF <sup>(2)</sup> , all peripherals disabled <sup>(3)</sup>  | 100                        | 13.0 | 14.6 <sup>(5)</sup>       | 14.6                      | 14.9                       | 16.0                       |      |
|                 |                            |   | 84                         | 10.5 | 11.9 <sup>(5)</sup>       | 12.1                      | 12.2                       | 13.2                       |      |
|                 |                            |   | 64                         | 7.4  | 8.4 <sup>(5)</sup>        | 8.8                       | 8.9                        | 9.9                        |      |
|                 |                            |   | 50                         | 5.9  | 6.6                       | 6.8                       | 7.3                        | 8.2                        |      |
|                 |                            |   | 20                         | 2.8  | 3.3                       | 3.5                       | 4.2                        | 5.1                        |      |
|                 |                            | HSI, PLL OFF, all peripherals disabled <sup>(3)</sup>                             | 16                         | 1.9  | 2.1                       | 2.4                       | 3.1                        | 4.0                        |      |
|                 |                            |   | 1                          | 0.4  | 0.5                       | 0.9                       | 1.6                        | 2.5                        |      |

1. Guaranteed by characterization results.
2. Refer to [Table 41](#) and RM0383 for the possible PLL VCO setting
3. When analog peripheral blocks such as ADC, HSE, LSE, HSI, or LSI are ON, an additional power consumption has to be considered.
4. When the ADC is ON (ADON bit set in the ADC\_CR2 register), add an additional power consumption of 1.6 mA for the analog part.
5. Guaranteed by test in production.

**Table 22. Typical and maximum current consumption in run mode, code with data processing (ART accelerator enabled except prefetch) running from Flash memory- V<sub>DD</sub> = 1.7 V**

| Symbol          | Parameter                         | Conditions  | f <sub>HCLK</sub> (MHz) | Typ  | Max <sup>(1)</sup>     |                        |                         |                         | Unit |
|-----------------|-----------------------------------|---|-------------------------|------|------------------------|------------------------|-------------------------|-------------------------|------|
|                 |                                   |   |                         |      | T <sub>A</sub> = 25 °C | T <sub>A</sub> = 85 °C | T <sub>A</sub> = 105 °C | T <sub>A</sub> = 125 °C |      |
| I <sub>DD</sub> | Supply current in <b>Run mode</b> | External clock, PLL ON <sup>(2)</sup> , all peripherals enabled <sup>(3)(4)</sup> | 100                     | 20.4 | 21.8                   | 22.1                   | 22.8                    | 23.8                    | mA   |
|                 |                                   |   | 84                      | 16.5 | 17.6                   | 17.8                   | 18.6                    | 19.6                    |      |
|                 |                                   |   | 64                      | 11.4 | 12.3                   | 12.5                   | 13.1                    | 14.1                    |      |
|                 |                                   |   | 50                      | 9.0  | 9.7                    | 10.0                   | 10.6                    | 11.6                    |      |
|                 |                                   |   | 20                      | 4.6  | 5.0                    | 5.3                    | 6.0                     | 7.0                     |      |
|                 |                                   | HSI, PLL OFF <sup>(2)</sup> , all peripherals enabled <sup>(3)</sup>              | 16                      | 2.9  | 3.2                    | 3.6                    | 4.3                     | 5.3                     |      |
|                 |                                   |   | 1                       | 0.7  | 0.8                    | 1.3                    | 1.9                     | 2.9                     |      |
|                 |                                   | External clock, PLL ON <sup>(2)</sup> , all peripherals disabled <sup>(3)</sup>   | 100                     | 11.2 | 12.2                   | 12.4                   | 13.2                    | 14.2                    |      |
|                 |                                   |   | 84                      | 9.1  | 9.9                    | 10.1                   | 10.9                    | 11.9                    |      |
|                 |                                   |   | 64                      | 6.4  | 7.0                    | 7.3                    | 7.9                     | 8.9                     |      |
|                 |                                   |   | 50                      | 5.1  | 5.6                    | 5.9                    | 6.6                     | 7.6                     |      |
|                 |                                   |   | 20                      | 2.6  | 3.0                    | 3.3                    | 4.0                     | 5.0                     |      |
|                 |                                   | HSI, PLL OFF <sup>(2)</sup> , all peripherals disabled <sup>(3)</sup>             | 16                      | 1.8  | 2.0                    | 2.4                    | 3.0                     | 4.0                     |      |
|                 |                                   |   | 1                       | 0.6  | 0.7                    | 1.2                    | 1.9                     | 2.9                     |      |

1. Guaranteed by characterization results.
2. Refer to [Table 41](#) and RM0383 for the possible PLL VCO setting
3. Add an additional power consumption of 1.6 mA per ADC for the analog part. In applications, this consumption occurs only while the ADC is ON (ADON bit is set in the ADC\_CR2 register).
4. When the ADC is ON (ADON bit set in the ADC\_CR2), add an additional power consumption of 1.6mA per ADC for the analog part.

**Table 23. Typical and maximum current consumption in run mode, code with data processing (ART accelerator enabled except prefetch) running from Flash memory - V<sub>DD</sub> = 3.6 V**

| Symbol          | Parameter                         | Conditions  | f <sub>HCLK</sub> (MHz) | Typ  | Max <sup>(1)</sup>     |                        |                         |                         | Unit |
|-----------------|-----------------------------------|---|-------------------------|------|------------------------|------------------------|-------------------------|-------------------------|------|
|                 |                                   |   |                         |      | T <sub>A</sub> = 25 °C | T <sub>A</sub> = 85 °C | T <sub>A</sub> = 105 °C | T <sub>A</sub> = 125 °C |      |
| I <sub>DD</sub> | Supply current in <b>Run mode</b> | External clock, PLL ON <sup>(2)</sup> , all peripherals enabled <sup>(3)(4)</sup> | 100                     | 20.7 | 22.2                   | 22.5                   | 23.2                    | 24.4                    | mA   |
|                 |                                   |   | 84                      | 16.8 | 18.0                   | 18.3                   | 19.0                    | 20.1                    |      |
|                 |                                   |   | 64                      | 11.8 | 12.7                   | 12.9                   | 13.6                    | 14.6                    |      |
|                 |                                   |   | 50                      | 9.3  | 10.2                   | 10.4                   | 11.1                    | 12.0                    |      |
|                 |                                   |   | 20                      | 4.8  | 5.5                    | 5.8                    | 6.5                     | 7.4                     |      |
|                 |                                   | HSI, PLL OFF <sup>(2)</sup> , all peripherals enabled <sup>(3)</sup>              | 16                      | 3.0  | 3.3                    | 3.8                    | 4.5                     | 5.4                     |      |
|                 |                                   |   | 1                       | 0.7  | 1.0                    | 1.4                    | 2.1                     | 3.0                     |      |
|                 |                                   | External clock, PLL ON <sup>(2)</sup> , all peripherals disabled <sup>(3)</sup>   | 100                     | 11.6 | 12.6                   | 12.9                   | 13.6                    | 14.8                    |      |
|                 |                                   |   | 84                      | 9.7  | 10.2 <sup>(5)</sup>    | 11.1                   | 11.3                    | 12.5                    |      |
|                 |                                   |   | 64                      | 6.7  | 7.4                    | 7.7                    | 8.3                     | 9.4                     |      |
|                 |                                   |   | 50                      | 5.4  | 6.0                    | 6.3                    | 7.0                     | 8.0                     |      |
|                 |                                   |   | 20                      | 2.9  | 3.4                    | 3.7                    | 4.4                     | 5.4                     |      |
|                 |                                   | HSI, PLL OFF <sup>(2)</sup> , all peripherals disabled <sup>(3)</sup>             | 16                      | 1.9  | 2.2                    | 2.6                    | 3.3                     | 4.3                     |      |
|                 |                                   |   | 1                       | 0.7  | 0.9                    | 1.3                    | 2.1                     | 3.1                     |      |

1. Guaranteed by characterization results.
2. Refer to [Table 41](#) and RM0383 for the possible PLL VCO setting
3. Add an additional power consumption of 1.6 mA per ADC for the analog part. In applications, this consumption occurs only while the ADC is ON (ADON bit is set in the ADC\_CR2 register).
4. When the ADC is ON (ADON bit set in the ADC\_CR2), add an additional power consumption of 1.6mA per ADC for the analog part.
5. Guaranteed by test in production.

**Table 24. Typical and maximum current consumption in run mode, code with data processing (ART accelerator disabled) running from Flash memory - V<sub>DD</sub> = 3.6 V**

| Symbol          | Parameter                         | Conditions  | f <sub>HCLK</sub> (MHz) | Typ  | Max <sup>(1)</sup>     |                        |                         |                         | Unit |
|-----------------|-----------------------------------|---|-------------------------|------|------------------------|------------------------|-------------------------|-------------------------|------|
|                 |                                   |   |                         |      | T <sub>A</sub> = 25 °C | T <sub>A</sub> = 85 °C | T <sub>A</sub> = 105 °C | T <sub>A</sub> = 125 °C |      |
| I <sub>DD</sub> | Supply current in <b>Run mode</b> | External clock, PLL ON <sup>(2)</sup> , all peripherals enabled <sup>(3)(4)</sup> | 100                     | 29.5 | 31.5                   | 32.3                   | 33.3                    | 34.7                    | mA   |
|                 |                                   |   | 84                      | 25.5 | 27.1                   | 27.9                   | 28.9                    | 30.2                    |      |
|                 |                                   |   | 64                      | 18.6 | 19.8                   | 20.4                   | 21.2                    | 22.4                    |      |
|                 |                                   |   | 50                      | 15.2 | 16.4                   | 16.9                   | 17.7                    | 18.7                    |      |
|                 |                                   |   | 20                      | 7.6  | 8.4                    | 8.8                    | 9.5                     | 10.5                    |      |
|                 |                                   | HSI, PLL OFF <sup>(2)</sup> , all peripherals enabled <sup>(3)</sup>              | 16                      | 4.8  | 5.2                    | 5.7                    | 6.5                     | 7.5                     |      |
|                 |                                   |   | 1                       | 0.9  | 1.3                    | 1.6                    | 2.4                     | 3.4                     |      |
|                 |                                   | External clock, PLL ON <sup>(2)</sup> , all peripherals disabled <sup>(3)</sup>   | 100                     | 20.4 | 21.8                   | 22.7                   | 23.8                    | 25.1                    |      |
|                 |                                   |   | 84                      | 18.4 | 19.2 <sup>(5)</sup>    | 20.9                   | 21.1                    | 22.4                    |      |
|                 |                                   |   | 64                      | 13.5 | 14.5                   | 15.2                   | 15.9                    | 17.2                    |      |
|                 |                                   |   | 50                      | 11.3 | 12.2                   | 12.8                   | 13.6                    | 14.7                    |      |
|                 |                                   |   | 20                      | 5.6  | 6.4                    | 6.7                    | 7.4                     | 8.5                     |      |
|                 |                                   | HSI, PLL OFF <sup>(2)</sup> , all peripherals disabled <sup>(3)</sup>             | 16                      | 3.6  | 4.1                    | 4.5                    | 5.2                     | 6.3                     |      |
|                 |                                   |   | 1                       | 0.9  | 1.2                    | 1.6                    | 2.3                     | 3.4                     |      |

1. Guaranteed by characterization results.
2. Refer to [Table 41](#) and RM0383 for the possible PLL VCO setting
3. Add an additional power consumption of 1.6 mA per ADC for the analog part. In applications, this consumption occurs only while the ADC is ON (ADON bit is set in the ADC\_CR2 register).
4. When the ADC is ON (ADON bit set in the ADC\_CR2), add an additional power consumption of 1.6mA per ADC for the analog part.
5. Guaranteed by test in production.



**Table 25. Typical and maximum current consumption in run mode, code with data processing (ART accelerator enabled with prefetch) running from Flash memory - V<sub>DD</sub> = 3.6 V**

| Symbol          | Parameter                         | Conditions  | f <sub>HCLK</sub> (MHz) | Typ  | Max <sup>(1)</sup>     |                        |                         |                         | Unit |
|-----------------|-----------------------------------|---|-------------------------|------|------------------------|------------------------|-------------------------|-------------------------|------|
|                 |                                   |   |                         |      | T <sub>A</sub> = 25 °C | T <sub>A</sub> = 85 °C | T <sub>A</sub> = 105 °C | T <sub>A</sub> = 125 °C |      |
| I <sub>DD</sub> | Supply current in <b>Run mode</b> | External clock, PLL ON <sup>(2)</sup> , all peripherals enabled <sup>(3)(4)</sup> | 100                     | 31.7 | 33.6                   | 34.5                   | 35.5                    | 37.0                    | mA   |
|                 |                                   |   | 84                      | 26.9 | 28.6                   | 29.4                   | 30.3                    | 31.6                    |      |
|                 |                                   |   | 64                      | 19.6 | 20.9                   | 21.5                   | 22.3                    | 23.5                    |      |
|                 |                                   |   | 50                      | 15.6 | 16.7                   | 17.2                   | 18.0                    | 19.1                    |      |
|                 |                                   |   | 20                      | 7.6  | 8.4                    | 8.8                    | 9.5                     | 10.6                    |      |
|                 |                                   | HSI, PLL OFF <sup>(2)</sup> , all peripherals enabled <sup>(3)</sup>              | 16                      | 5.1  | 5.6                    | 6.1                    | 6.8                     | 7.9                     |      |
|                 |                                   |   | 1                       | 1.0  | 1.3                    | 1.7                    | 2.3                     | 3.4                     |      |
|                 |                                   | External clock, PLL ON <sup>(2)</sup> , all peripherals disabled <sup>(3)</sup>   | 100                     | 22.5 | 24.2                   | 24.9                   | 26.0                    | 27.3                    |      |
|                 |                                   |   | 84                      | 19.5 | 21.1 <sup>(5)</sup>    | 21.8                   | 22.8                    | 24.1                    |      |
|                 |                                   |   | 64                      | 14.5 | 15.7                   | 16.3                   | 17.1                    | 18.3                    |      |
|                 |                                   |   | 50                      | 11.7 | 12.7                   | 13.2                   | 14.0                    | 15.1                    |      |
|                 |                                   |   | 20                      | 5.6  | 6.4                    | 6.8                    | 7.4                     | 8.5                     |      |
|                 |                                   | HSI, PLL OFF <sup>(2)</sup> , all peripherals disabled <sup>(3)</sup>             | 16                      | 4.0  | 4.5                    | 4.9                    | 5.6                     | 6.7                     |      |
|                 |                                   |   | 1                       | 0.9  | 1.2                    | 1.6                    | 2.2                     | 3.3                     |      |

1. Guaranteed by characterization results.
2. Refer to [Table 41](#) and RM0383 for the possible PLL VCO setting
3. Add an additional power consumption of 1.6 mA per ADC for the analog part. In applications, this consumption occurs only while the ADC is ON (ADON bit is set in the ADC\_CR2 register).
4. When the ADC is ON (ADON bit set in the ADC\_CR2), add an additional power consumption of 1.6mA per ADC for the analog part.
5. Guaranteed by test in production.

**Table 26. Typical and maximum current consumption in Sleep mode - V<sub>DD</sub> = 3.6 V**

| Symbol          | Parameter                           | Conditions  | f <sub>HCLK</sub><br>(MHz) | Typ  | Max <sup>(1)</sup>        |                           |                            |                            | Unit |
|-----------------|-------------------------------------|---|----------------------------|------|---------------------------|---------------------------|----------------------------|----------------------------|------|
|                 |                                     |   |                            |      | T <sub>A</sub> =<br>25 °C | T <sub>A</sub> =<br>85 °C | T <sub>A</sub> =<br>105 °C | T <sub>A</sub> =<br>125 °C |      |
| I <sub>DD</sub> | Supply current in <b>Sleep mode</b> | External clock, PLL ON <sup>(2)</sup> , all peripherals enabled <sup>(3)(4)</sup> | 100                        | 12.2 | 13.2                      | 13.4                      | 14.1                       | 15.3                       | mA   |
|                 |                                     |   | 84                         | 9.8  | 10.6                      | 10.9                      | 11.6                       | 12.8                       |      |
|                 |                                     |   | 64                         | 6.9  | 7.4                       | 7.7                       | 8.3                        | 9.5                        |      |
|                 |                                     |   | 50                         | 5.4  | 5.9                       | 6.2                       | 6.8                        | 8.0                        |      |
|                 |                                     |   | 20                         | 2.8  | 3.2                       | 3.5                       | 4.1                        | 5.3                        |      |
|                 |                                     | HSI, PLL OFF <sup>(2)</sup> , all peripherals enabled <sup>(3)</sup>              | 16                         | 1.3  | 1.7                       | 2.2                       | 2.8                        | 4.0                        |      |
|                 |                                     |   | 1                          | 0.4  | 0.5                       | 0.9                       | 1.6                        | 2.8                        |      |
|                 |                                     | External clock, PLL ON <sup>(2)</sup> all peripherals disabled <sup>(3)</sup>     | 100                        | 3.0  | 3.6                       | 3.9                       | 4.5                        | 5.7                        |      |
|                 |                                     |   | 84                         | 2.5  | 3.0                       | 3.2                       | 3.9                        | 5.1                        |      |
|                 |                                     |   | 64                         | 1.9  | 2.2                       | 2.5                       | 3.0                        | 4.2                        |      |
|                 |                                     |   | 50                         | 1.6  | 1.9                       | 2.1                       | 2.7                        | 3.9                        |      |
|                 |                                     | HSI, PLL OFF <sup>(2)</sup> , all peripherals disabled <sup>(3)</sup>             | 20                         | 1.1  | 1.4                       | 1.7                       | 2.3                        | 3.5                        |      |
|                 |                                     |   | 16                         | 0.4  | 0.5                       | 0.9                       | 1.6                        | 2.8                        |      |
|                 |                                     | 1   | 0.3                        | 0.4  | 0.8                       | 1.5                       | 2.7                        |                            |      |

1. Guaranteed by characterization results.
2. Refer to [Table 41](#) and RM0383 for the possible PLL VCO setting.
3. Add an additional power consumption of 1.6 mA per ADC for the analog part. In applications, this consumption occurs only while the ADC is ON (ADON bit is set in the ADC\_CR2 register).
4. When the ADC is ON (ADON bit set in the ADC\_CR2), add an additional power consumption of 1.6mA per ADC for the analog part.

**Table 27. Typical and maximum current consumptions in Stop mode - V<sub>DD</sub> = 1.7 V**

| Symbol               | Conditions  | Parameter                             | Typ <sup>(1)</sup>        | Max <sup>(1)</sup>        |                           |                            |                            |    | Unit |
|----------------------|---|---------------------------------------|---------------------------|---------------------------|---------------------------|----------------------------|----------------------------|----|------|
|                      |   |                                       | T <sub>A</sub> =<br>25 °C | T <sub>A</sub> =<br>25 °C | T <sub>A</sub> =<br>85 °C | T <sub>A</sub> =<br>105 °C | T <sub>A</sub> =<br>125 °C |    |      |
| I <sub>DD_STOP</sub> | Flash in Stop mode, all oscillators OFF, no independent watchdog            | Main regulator usage                  | 112                       | 142 <sup>(2)</sup>        | 400                       | 710                        | 1200 <sup>(2)</sup>        | µA |      |
|                      |   | Low power regulator usage             | 42.6                      | 67 <sup>(2)</sup>         | 300                       | 580                        | 1044 <sup>(2)</sup>        |    |      |
|                      | Flash in Deep power down mode, all oscillators OFF, no independent watchdog | Main regulator usage                  | 75                        | 99 <sup>(2)</sup>         | 310                       | 580                        | 993 <sup>(2)</sup>         |    |      |
|                      |   | Low power regulator usage             | 13.6                      | 37 <sup>(2)</sup>         | 265                       | 550                        | 1007 <sup>(2)</sup>        |    |      |
|                      |   | Low power low voltage regulator usage | 9                         | 28 <sup>(2)</sup>         | 230                       | 500                        | 910 <sup>(2)</sup>         |    |      |

1. Guaranteed by characterization results.
2. Guaranteed by test in production.

**Table 28. Typical and maximum current consumption in Stop mode - V<sub>DD</sub>=3.6 V**

| Symbol               | Conditions  | Parameter                             | Typ                    | Max <sup>(1)</sup>     |                        |                         |                         |    | Unit |
|----------------------|---|---------------------------------------|------------------------|------------------------|------------------------|-------------------------|-------------------------|----|------|
|                      |   |                                       | T <sub>A</sub> = 25 °C | T <sub>A</sub> = 25 °C | T <sub>A</sub> = 85 °C | T <sub>A</sub> = 105 °C | T <sub>A</sub> = 125 °C |    |      |
| I <sub>DD_STOP</sub> | Flash in Stop mode, all oscillators OFF, no independent watchdog            | Main regulator usage                  | 113.7                  | 145 <sup>(2)</sup>     | 410                    | 720                     | 1217 <sup>(2)</sup>     | µA |      |
|                      |   | Low power regulator usage             | 43.1                   | 68 <sup>(2)</sup>      | 310                    | 600                     | 1073 <sup>(2)</sup>     |    |      |
|                      | Flash in Deep power down mode, all oscillators OFF, no independent watchdog | Main regulator usage                  | 76.2                   | 105 <sup>(2)</sup>     | 320                    | 600                     | 1019 <sup>(2)</sup>     |    |      |
|                      |   | Low power regulator usage             | 14                     | 38 <sup>(2)</sup>      | 275                    | 560                     | 1025 <sup>(2)</sup>     |    |      |
|                      |   | Low power low voltage regulator usage | 10                     | 30 <sup>(2)</sup>      | 235                    | 510                     | 928 <sup>(2)</sup>      |    |      |

1. Guaranteed by characterization results.
2. Guaranteed by test in production.

**Table 29. Typical and maximum current consumption in Standby mode - V<sub>DD</sub> = 1.7 V**

| Symbol               | Parameter                      | Conditions                            | Typ <sup>(1)</sup>     | Max <sup>(2)</sup>     |                        |                         |                         |    | Unit |
|----------------------|--------------------------------|---------------------------------------|------------------------|------------------------|------------------------|-------------------------|-------------------------|----|------|
|                      |                                |                                       | T <sub>A</sub> = 25 °C | T <sub>A</sub> = 25 °C | T <sub>A</sub> = 85 °C | T <sub>A</sub> = 105 °C | T <sub>A</sub> = 125 °C |    |      |
| I <sub>DD_STBY</sub> | Supply current in Standby mode | Low-speed oscillator (LSE) and RTC ON | 2.4                    | 4                      | 12                     | 25                      | 50                      | µA |      |
|                      |                                | RTC and LSE OFF                       | 1.8                    | 3 <sup>(3)</sup>       | 11                     | 24                      | 49 <sup>(3)</sup>       |    |      |

1. When the PDR is OFF (internal reset is OFF), the typical current consumption is reduced by 1.2 µA.
2. Guaranteed by characterization results.
3. Guaranteed by test in production.

**Table 30. Typical and maximum current consumption in Standby mode - V<sub>DD</sub> = 3.6 V**

| Symbol               | Parameter                      | Conditions                            | Typ <sup>(1)</sup>     | Max <sup>(2)</sup>     |                        |                         |                         |    | Unit |
|----------------------|--------------------------------|---------------------------------------|------------------------|------------------------|------------------------|-------------------------|-------------------------|----|------|
|                      |                                |                                       | T <sub>A</sub> = 25 °C | T <sub>A</sub> = 25 °C | T <sub>A</sub> = 85 °C | T <sub>A</sub> = 105 °C | T <sub>A</sub> = 125 °C |    |      |
| I <sub>DD_STBY</sub> | Supply current in Standby mode | Low-speed oscillator (LSE) and RTC ON | 2.8                    | 5                      | 14                     | 29                      | 59                      | µA |      |
|                      |                                | RTC and LSE OFF                       | 2.1                    | 4 <sup>(3)</sup>       | 13.5                   | 28                      | 58 <sup>(3)</sup>       |    |      |

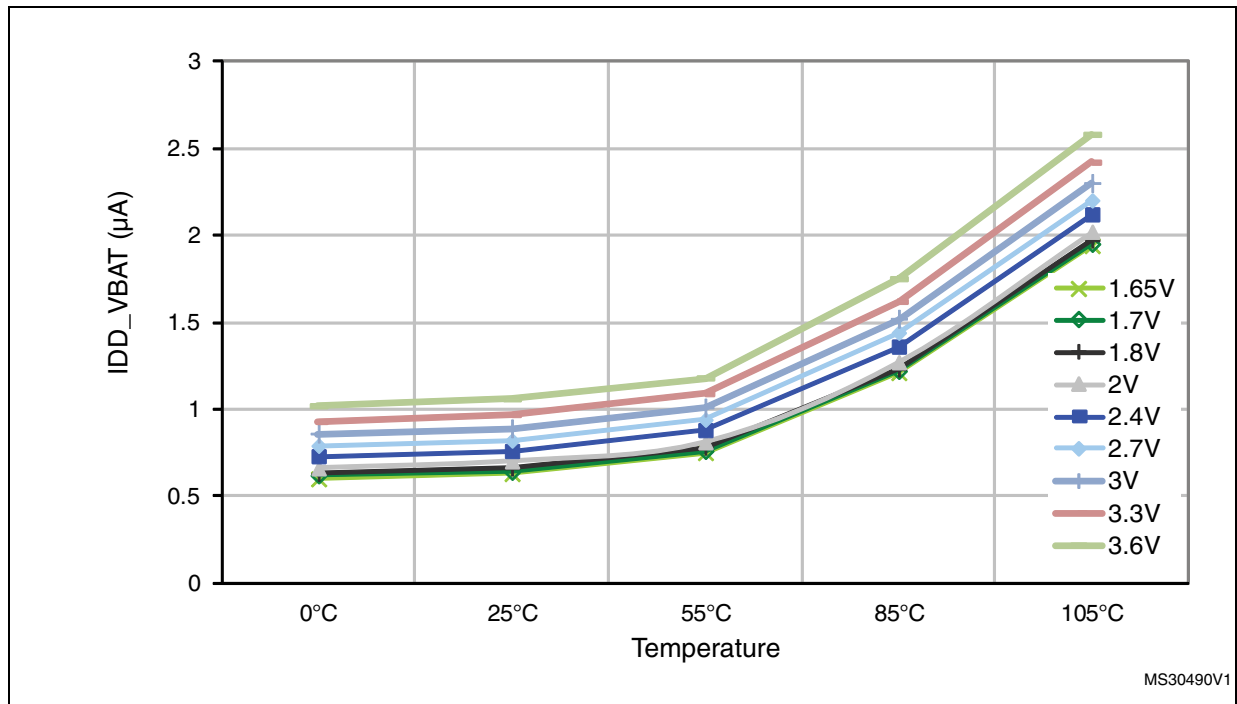
1. When the PDR is OFF (internal reset is OFF), the typical current consumption is reduced by 1.2 µA.
2. Guaranteed by characterization results.
3. Guaranteed by test in production.

Table 31. Typical and maximum current consumptions in V<sub>BAT</sub> mode

| Symbol               | Parameter                    | Conditions <sup>(1)</sup>                                | Typ                      |                          |                          | Max <sup>(2)</sup>       |                         |                         | Unit |
|----------------------|------------------------------|--|--------------------------|--------------------------|--------------------------|--------------------------|-------------------------|-------------------------|------|
|                      |                              |  | T <sub>A</sub> = 25 °C   |                          |                          | T <sub>A</sub> = 85 °C   | T <sub>A</sub> = 105 °C | T <sub>A</sub> = 125 °C |      |
|                      |                              |  | V <sub>BAT</sub> = 1.7 V | V <sub>BAT</sub> = 2.4 V | V <sub>BAT</sub> = 3.3 V | V <sub>BAT</sub> = 3.6 V |                         |                         |      |
| I <sub>DD_VBAT</sub> | Backup domain supply current | Low-speed oscillator (LSE in low-drive mode) and RTC ON  | 0.7                      | 0.8                      | 1.0                      | 3                        | 5                       | 6.8                     | µA   |
|                      |                              | Low-speed oscillator (LSE in high-drive mode) and RTC ON | 1.5                      | 1.6                      | 1.9                      | 3.8                      | 5.8                     | 8.6                     |      |
|                      |                              | RTC and LSE OFF  | 0.1                      | 0.1                      | 0.1                      | 2                        | 4                       | 5.8                     |      |

1. Crystal used: Abracon ABS07-120-32.768 kHz-T with a C<sub>L</sub> of 6 pF for typical values.
2. Guaranteed by characterization results.

Figure 20. Typical V<sub>BAT</sub> current consumption (LSE in low-drive mode and RTC ON)



### I/O system current consumption

The current consumption of the I/O system has two components: static and dynamic.

#### I/O static current consumption

All the I/Os used as inputs with pull-up generate current consumption when the pin is externally held low. The value of this current consumption can be simply computed by using the pull-up/pull-down resistors values given in [Table 53: I/O static characteristics](#).

For the output pins, any external pull-down or external load must also be considered to estimate the current consumption.

Additional I/O current consumption is due to I/Os configured as inputs if an intermediate voltage level is externally applied. This current consumption is caused by the input Schmitt trigger circuits used to discriminate the input value. Unless this specific configuration is required by the application, this supply current consumption can be avoided by configuring these I/Os in analog mode. This is notably the case of ADC input pins which should be configured as analog inputs.

**Caution:** Any floating input pin can also settle to an intermediate voltage level or switch inadvertently, as a result of external electromagnetic noise. To avoid current consumption related to floating pins, they must either be configured in analog mode, or forced internally to a definite digital value. This can be done either by using pull-up/down resistors or by configuring the pins in output mode.

#### I/O dynamic current consumption

In addition to the internal peripheral current consumption (see [Table 33: Peripheral current consumption](#)), the I/Os used by an application also contribute to the current consumption. When an I/O pin switches, it uses the current from the MCU supply voltage to supply the I/O pin circuitry and to charge/discharge the capacitive load (internal or external) connected to the pin:

$$I_{SW} = V_{DD} \times f_{SW} \times C$$

where

$I_{SW}$  is the current sunk by a switching I/O to charge/discharge the capacitive load

$V_{DD}$  is the MCU supply voltage

$f_{SW}$  is the I/O switching frequency

$C$  is the total capacitance seen by the I/O pin:  $C = C_{INT} + C_{EXT}$

The test pin is configured in push-pull output mode and is toggled by software at a fixed frequency.

Table 32. Switching output I/O current consumption

| Symbol | Parameter             | Conditions <sup>(1)</sup>   | I/O toggling frequency (f <sub>sw</sub> ) | Typ   | Unit |
|--------|-----------------------|---|---|-------|------|
| IDDIO  | I/O switching current | V <sub>DD</sub> = 3.3 V<br>C = C <sub>INT</sub>   | 2 MHz                                     | 0.05  | mA   |
|        |                       |   | 8 MHz                                     | 0.15  |      |
|        |                       |   | 25 MHz                                    | 0.45  |      |
|        |                       |   | 50 MHz                                    | 0.85  |      |
|        |                       |   | 60 MHz                                    | 1.00  |      |
|        |                       |   | 84 MHz                                    | 1.40  |      |
|        |                       |   | 90 MHz                                    | 1.67  |      |
|        |                       | V <sub>DD</sub> = 3.3 V<br>C <sub>EXT</sub> = 0 pF<br>C = C <sub>INT</sub> + C <sub>EXT</sub> + C <sub>S</sub>  | 2 MHz                                     | 0.10  |      |
|        |                       |   | 8 MHz                                     | 0.35  |      |
|        |                       |   | 25 MHz                                    | 1.05  |      |
|        |                       |   | 50 MHz                                    | 2.20  |      |
|        |                       |   | 60 MHz                                    | 2.40  |      |
|        |                       |   | 84 MHz                                    | 3.55  |      |
|        |                       | V <sub>DD</sub> = 3.3 V<br>C <sub>EXT</sub> = 10 pF<br>C = C <sub>INT</sub> + C <sub>EXT</sub> + C <sub>S</sub> | 2 MHz                                     | 0.20  |      |
|        |                       |   | 8 MHz                                     | 0.65  |      |
|        |                       |   | 25 MHz                                    | 1.85  |      |
|        |                       |   | 50 MHz                                    | 2.45  |      |
|        |                       |   | 60 MHz                                    | 4.70  |      |
|        |                       |   | 84 MHz                                    | 8.80  |      |
|        |                       | V <sub>DD</sub> = 3.3 V<br>C <sub>EXT</sub> = 22 pF<br>C = C <sub>INT</sub> + C <sub>EXT</sub> + C <sub>S</sub> | 2 MHz                                     | 0.25  |      |
|        |                       |   | 8 MHz                                     | 1.00  |      |
|        |                       |   | 25 MHz                                    | 3.45  |      |
|        |                       |   | 50 MHz                                    | 7.15  |      |
|        |                       | V <sub>DD</sub> = 3.3 V<br>C <sub>EXT</sub> = 33 pF<br>C = C <sub>INT</sub> + C <sub>EXT</sub> + C <sub>S</sub> | 2 MHz                                     | 0.32  |      |
|        |                       |   | 8 MHz                                     | 1.27  |      |
|        |                       |   | 25 MHz                                    | 3.88  |      |
|        |                       |   | 50 MHz                                    | 12.34 |      |

1. CS is the PCB board capacitance including the pad pin. CS = 7 pF (estimated value).

**On-chip peripheral current consumption**

The MCU is placed under the following conditions:

- At startup, all I/O pins are in analog input configuration.
- All peripherals are disabled unless otherwise mentioned.
- The ART accelerator is ON.
- Voltage Scale 2 mode selected, internal digital voltage V12 = 1.26 V.
- HCLK is the system clock at 84 MHz.  $f_{PCLK1} = f_{HCLK}/2$ , and  $f_{PCLK2} = f_{HCLK}$ .  
The given value is calculated by measuring the difference of current consumption
  - with all peripherals clocked off
  - with only one peripheral clocked on
- Ambient operating temperature is 25 °C and  $V_{DD}=3.3$  V.

**Table 33. Peripheral current consumption**

| Peripheral                     |                     | I <sub>DD</sub> (Typ) | Unit   |
|--------------------------------|---------------------|-----------------------|--------|
| <b>AHB1</b><br>(up to 100 MHz) | GPIOA               | 1.55                  | μA/MHz |
|                                | GPIOB               | 1.55                  |        |
|                                | GPIOC               | 1.55                  |        |
|                                | GIOD                | 1.55                  |        |
|                                | GPIOE               | 1.55                  |        |
|                                | GPIOH               | 1.55                  |        |
|                                | CRC                 | 0.36                  |        |
|                                | DMA1 <sup>(1)</sup> | 14.96                 |        |
|                                | DMA1 <sup>(2)</sup> | 1.54N+2.66            |        |
|                                | DMA2 <sup>(1)</sup> | 14.96                 |        |
| DMA2 <sup>(2)</sup>            | 1.54N+2.66          |                       |        |
| <b>APB1</b><br>(up to 50 MHz)  | TIM2                | 11.19                 | μA/MHz |
|                                | TIM3                | 8.57                  |        |
|                                | TIM4                | 8.33                  |        |
|                                | TIM5                | 11.19                 |        |
|                                | PWR                 | 0.71                  |        |
|                                | USART2              | 3.33                  |        |
|                                | I2C1/2/3            | 3.10                  |        |
|                                | SPI2 <sup>(3)</sup> | 2.62                  |        |
|                                | SPI3 <sup>(3)</sup> | 2.86                  |        |
|                                | I2S2                | 1.90                  |        |
|                                | I2S3                | 1.67                  |        |
|                                | WWDG                | 0.71                  |        |

**Table 33. Peripheral current consumption (continued)**

| Peripheral                     |                     | I <sub>DD</sub> (Typ) | Unit   |
|--------------------------------|---------------------|-----------------------|--------|
| <b>APB2</b><br>(up to 100 MHz) | TIM1                | 5.71                  | μA/MHz |
|                                | TIM9                | 2.86                  |        |
|                                | TIM10               | 1.79                  |        |
|                                | TIM11               | 2.02                  |        |
|                                | OTG_FS              | 23.93                 |        |
|                                | ADC1 <sup>(4)</sup> | 2.98                  |        |
|                                | SPI1                | 1.19                  |        |
|                                | USART1              | 3.10                  |        |
|                                | USART6              | 2.86                  |        |
|                                | SDIO                | 5.95                  |        |
|                                | SPI4                | 1.31                  |        |
|                                | SYSCFG              | 0.71                  |        |

1. Valid if all the DMA streams are activated (please refer to the reference manual RM0383).
2. For N DMA streams activated (up to 8 activated streams, refer to the reference manual RM0383).
3. I2SMOD bit set in SPI\_I2SCFGR register, and then the I2SE bit set to enable I2S peripheral.
4. When the ADC is ON (ADON bit set in the ADC\_CR2 register), add an additional power consumption of 1.6 mA for the analog part.

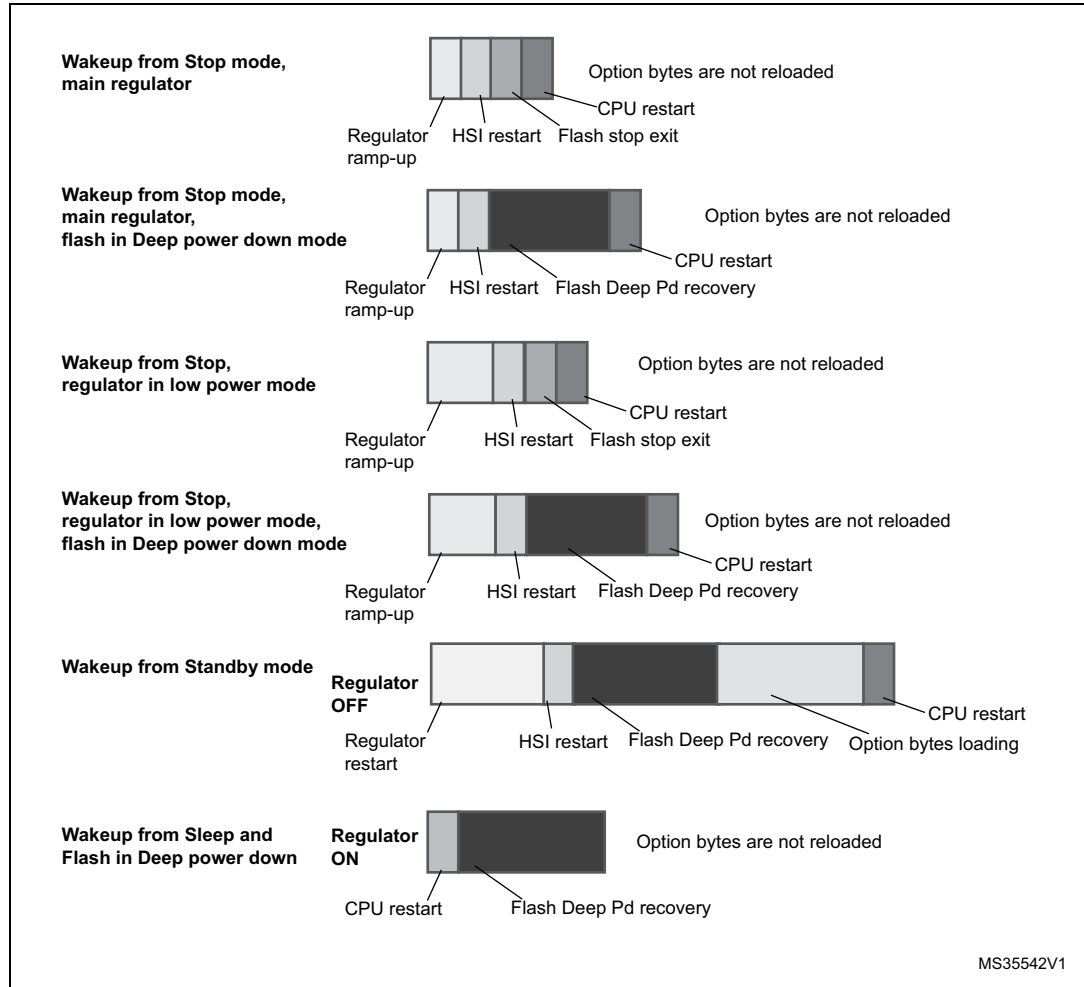


### 6.3.7 Wakeup time from low-power modes

The wakeup times given in [Table 34](#) are measured starting from the wakeup event trigger up to the first instruction executed by the CPU:

- For Stop or Sleep modes: the wakeup event is WFE.
- WKUP (PA0) pin is used to wakeup from Standby, Stop and Sleep modes.

**Figure 21. Low-power mode wakeup**



All timings are derived from tests performed under ambient temperature and  $V_{DD}=3.3$  V.

**Table 34. Low-power mode wakeup timings<sup>(1)</sup>**

| Symbol                 | Parameter  | Min <sup>(1)</sup> | Typ <sup>(1)</sup> | Max <sup>(1)</sup> | Unit            |
|------------------------|--|--------------------|--------------------|--------------------|-----------------|
| $t_{WUSLEEP}^{(2)}$    | Wakeup from Sleep mode   | -                  | 4                  | 6                  | CPU clock cycle |
| $t_{WUSTOP}^{(2)}$     | Wakeup from Stop mode, usage of main regulator   | -                  | 13.5               | 14.5               | $\mu s$         |
|                        | Wakeup from Stop mode, usage of main regulator, Flash memory in Deep power down mode     | -                  | 105                | 111                |                 |
|                        | Wakeup from Stop mode, regulator in low power mode                                       | -                  | 21                 | 33                 |                 |
|                        | Wakeup from Stop mode, regulator in low power mode, Flash memory in Deep power down mode | -                  | 113                | 130                |                 |
| $t_{WUSTDBY}^{(2)(3)}$ | Wakeup from Standby mode   | -                  | 314                | 407                | $\mu s$         |
| $t_{WUFLASH}$          | Wakeup of Flash from Flash_Stop mode   | -                  | -                  | 8                  | $\mu s$         |
|                        | Wakeup of Flash from Flash Deep power down mode  | -                  | -                  | 100                |                 |

1. Guaranteed by characterization results.
2. The wakeup times are measured from the wakeup event to the point in which the application code reads the first instruction.
3.  $t_{WUSTDBY}$  maximum value is given at  $-40\text{ }^{\circ}\text{C}$ .

### 6.3.8 External clock source characteristics

#### High-speed external user clock generated from an external source

In bypass mode the HSE oscillator is switched off and the input pin is a standard I/O. The external clock signal has to respect the [Table 53](#). However, the recommended clock input waveform is shown in [Figure 22](#).

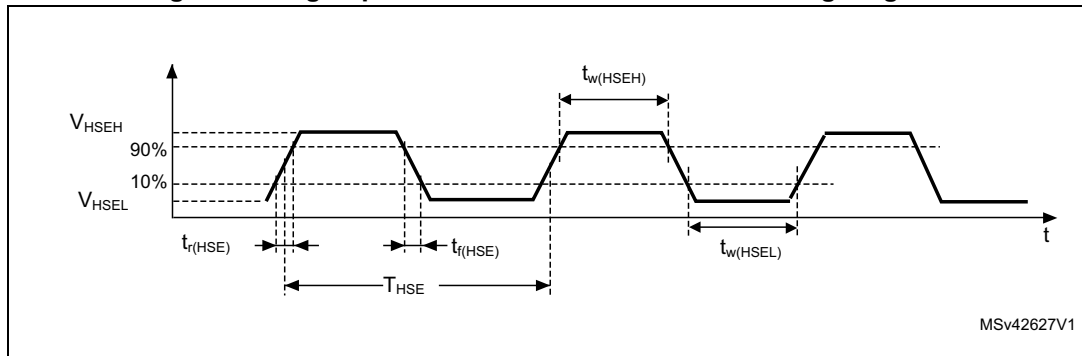
The characteristics given in [Table 35](#) result from tests performed using an high-speed external clock source, and under ambient temperature and supply voltage conditions summarized in [Table 14](#).

**Table 35. High-speed external user clock characteristics**

| Symbol                         | Parameter   | Conditions                       | Min         | Typ | Max         | Unit    |
|--------------------------------|---|----------------------------------|-------------|-----|-------------|---------|
| $f_{HSE\_ext}$                 | External user clock source frequency <sup>(1)</sup> | -                                | 1           | -   | 50          | MHz     |
| $V_{HSEH}$                     | OSC_IN input pin high level voltage                 |                                  | $0.7V_{DD}$ | -   | $V_{DD}$    | V       |
| $V_{HSEL}$                     | OSC_IN input pin low level voltage                  |                                  | $V_{SS}$    | -   | $0.3V_{DD}$ |         |
| $t_{w(HSEH)}$<br>$t_{w(HSEL)}$ | OSC_IN high or low time <sup>(1)</sup>              |                                  | 5           | -   | -           | ns      |
| $t_{r(HSE)}$<br>$t_{f(HSE)}$   | OSC_IN rise or fall time <sup>(1)</sup>             |                                  | -           | -   | 10          |         |
| $C_{in(HSE)}$                  | OSC_IN input capacitance <sup>(1)</sup>             |                                  | -           | -   | 5           | pF      |
| DuCy(HSE)                      | Duty cycle  |                                  | -           | 45  | -           | 55      |
| $I_L$                          | OSC_IN Input leakage current                        | $V_{SS} \leq V_{IN} \leq V_{DD}$ | -           | -   | $\pm 1$     | $\mu A$ |

1. Guaranteed by design.

Figure 22. High-speed external clock source AC timing diagram



MSv42627V1

**Low-speed external user clock generated from an external source**

In bypass mode the LSE oscillator is switched off and the input pin is a standard I/O. The external clock signal has to respect the [Table 53](#). However, the recommended clock input waveform is shown in [Figure 23](#).

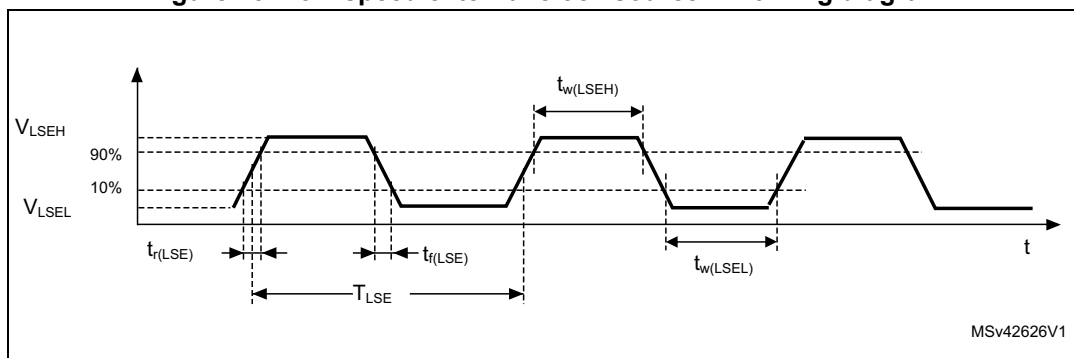
The characteristics given in [Table 36](#) result from tests performed using an low-speed external clock source, and under ambient temperature and supply voltage conditions summarized in [Table 14](#).

**Table 36. Low-speed external user clock characteristics**

| Symbol                         | Parameter   | Conditions                       | Min         | Typ    | Max         | Unit    |
|--------------------------------|---|----------------------------------|-------------|--------|-------------|---------|
| $f_{LSE\_ext}$                 | User External clock source frequency <sup>(1)</sup> |                                  | -           | 32.768 | 1000        | kHz     |
| $V_{LSEH}$                     | OSC32_IN input pin high level voltage               | -                                | $0.7V_{DD}$ | -      | $V_{DD}$    | V       |
| $V_{LSEL}$                     | OSC32_IN input pin low level voltage                |                                  | $V_{SS}$    | -      | $0.3V_{DD}$ |         |
| $t_{w(LSEH)}$<br>$t_{w(LSEL)}$ | OSC32_IN high or low time <sup>(1)</sup>            | -                                | 450         | -      | -           | ns      |
| $t_{r(LSE)}$<br>$t_{f(LSE)}$   | OSC32_IN rise or fall time <sup>(1)</sup>           |                                  | -           | -      | 50          |         |
| $C_{in(LSE)}$                  | OSC32_IN input capacitance <sup>(1)</sup>           | -                                | -           | 5      | -           | pF      |
| DuCy <sub>(LSE)</sub>          | Duty cycle  | -                                | 30          | -      | 70          | %       |
| $I_L$                          | OSC32_IN Input leakage current                      | $V_{SS} \leq V_{IN} \leq V_{DD}$ | -           | -      | $\pm 1$     | $\mu A$ |

1. Guaranteed by design.

Figure 23. Low-speed external clock source AC timing diagram



**High-speed external clock generated from a crystal/ceramic resonator**

The high-speed external (HSE) clock can be supplied with a 4 to 26 MHz crystal/ceramic resonator oscillator. All the information given in this paragraph are based on characterization results obtained with typical external components specified in Table 37. In the application, the resonator and the load capacitors have to be placed as close as possible to the oscillator pins in order to minimize output distortion and startup stabilization time. Refer to the crystal resonator manufacturer for more details on the resonator characteristics (frequency, package, accuracy).

Table 37. HSE 4-26 MHz oscillator characteristics<sup>(1)</sup>

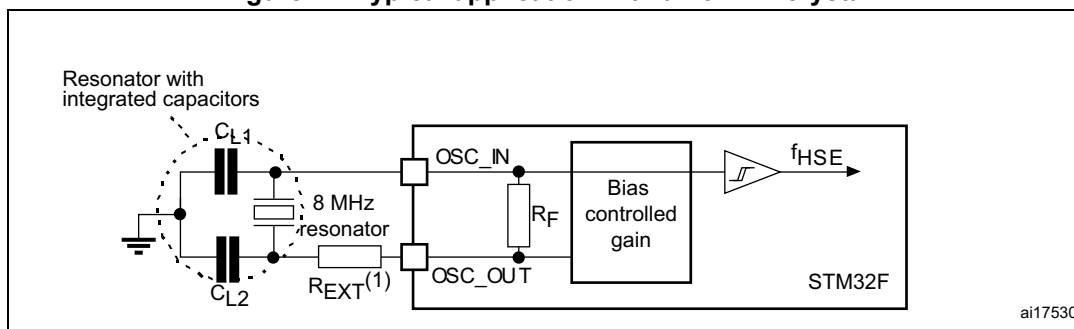
| Symbol              | Parameter                      | Conditions   | Min | Typ | Max | Unit          |
|---------------------|--------------------------------|--|-----|-----|-----|---------------|
| $f_{OSC\_IN}$       | Oscillator frequency           |  | 4   | -   | 26  | MHz           |
| $R_F$               | Feedback resistor              |  | -   | 200 | -   | k $\Omega$    |
| $I_{DD}$            | HSE current consumption        | $V_{DD}=3.3\text{ V}$ ,<br>ESR= 30 $\Omega$ ,<br>$C_L=5\text{ pF @}25\text{ MHz}$  | -   | 450 | -   | $\mu\text{A}$ |
|                     |                                | $V_{DD}=3.3\text{ V}$ ,<br>ESR= 30 $\Omega$ ,<br>$C_L=10\text{ pF @}25\text{ MHz}$ | -   | 530 | -   |               |
| $G_{m\_crit\_max}$  | Maximum critical crystal $g_m$ | Startup  | -   | -   | 1   | mA/V          |
| $t_{SU(HSE)}^{(2)}$ | Startup time                   | $V_{DD}$ is stabilized   | -   | 2   | -   | ms            |

1. Guaranteed by design.
2.  $t_{SU(HSE)}$  is the startup time measured from the moment it is enabled (by software) to a stabilized 8 MHz oscillation is reached. This value is measured for a standard crystal resonator and it can vary significantly with the crystal manufacturer

For  $C_{L1}$  and  $C_{L2}$ , it is recommended to use high-quality external ceramic capacitors in the 5 pF to 25 pF range (Typ.), designed for high-frequency applications, and selected to match the requirements of the crystal or resonator (see Figure 24).  $C_{L1}$  and  $C_{L2}$  are usually the same size. The crystal manufacturer typically specifies a load capacitance which is the series combination of  $C_{L1}$  and  $C_{L2}$ . PCB and MCU pin capacitance must be included (10 pF can be used as a rough estimate of the combined pin and board capacitance) when sizing  $C_{L1}$  and  $C_{L2}$ .

*Note:* For information on selecting the crystal, refer to the application note AN2867 “Oscillator design guide for ST microcontrollers” available from the ST website [www.st.com](http://www.st.com).

Figure 24. Typical application with an 8 MHz crystal



1.  $R_{EXT}$  value depends on the crystal characteristics.

### Low-speed external clock generated from a crystal/ceramic resonator

The low-speed external (LSE) clock can be supplied with a 32.768 kHz crystal/ceramic resonator oscillator. All the information given in this paragraph are based on characterization results obtained with typical external components specified in [Table 38](#). In the application, the resonator and the load capacitors have to be placed as close as possible to the oscillator pins in order to minimize output distortion and startup stabilization time. Refer to the crystal resonator manufacturer for more details on the resonator characteristics (frequency, package, accuracy).

The LSE high-power mode allows to cover a wider range of possible crystals but with a cost of higher power consumption.

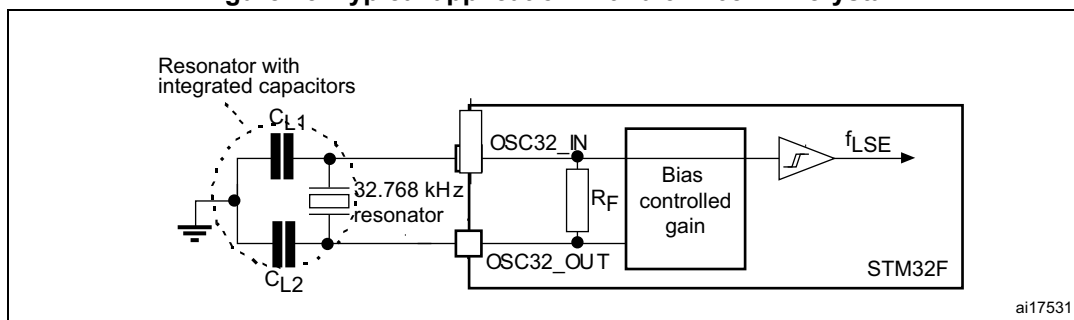
Table 38. LSE oscillator characteristics ( $f_{LSE} = 32.768$  kHz) <sup>(1)</sup>

| Symbol              | Parameter                      | Conditions               | Min | Typ  | Max  | Unit |
|---------------------|--------------------------------|--------------------------|-----|------|------|------|
| $R_F$               | Feedback resistor              | -                        | -   | 18.4 | -    | MΩ   |
| $I_{DD}$            | LSE current consumption        | Low-power mode (default) | -   | -    | 1    | μA   |
|                     |                                | High-drive mode          | -   | -    | 3    |      |
| $G_{m\_crit\_max}$  | Maximum critical crystal $g_m$ | Startup, low-power mode  | -   | -    | 0.56 | μA/V |
|                     |                                | Startup, high-drive mode | -   | -    | 1.50 |      |
| $t_{SU(LSE)}^{(2)}$ | startup time                   | $V_{DD}$ is stabilized   | -   | 2    | -    | s    |

- Guaranteed by design.
- $t_{SU(LSE)}$  is the startup time measured from the moment it is enabled (by software) to a stabilized 32.768 kHz oscillation is reached. This value is guaranteed by characterization. It is measured for a standard crystal resonator and it can vary significantly with the crystal manufacturer.

**Note:** For information on selecting the crystal, refer to the application note AN2867 “Oscillator design guide for ST microcontrollers” available from the ST website [www.st.com](http://www.st.com).  
For information about the LSE high-power mode, refer to the reference manual RM0383.

Figure 25. Typical application with a 32.768 kHz crystal



### 6.3.9 Internal clock source characteristics

The parameters given in [Table 39](#) and [Table 40](#) are derived from tests performed under ambient temperature and  $V_{DD}$  supply voltage conditions summarized in [Table 14](#).

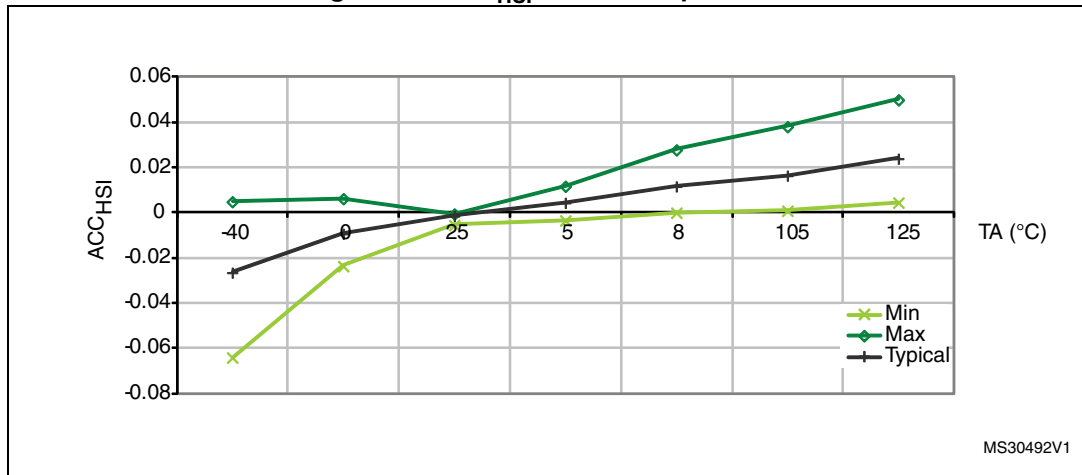
#### High-speed internal (HSI) RC oscillator

Table 39. HSI oscillator characteristics <sup>(1)</sup>

| Symbol                       | Parameter                        | Conditions   | Min                                    | Typ | Max | Unit |   |
|------------------------------|----------------------------------|--|--|-----|-----|------|---|
| $f_{HSI}$                    | Frequency                        |  | -                                      | 16  | -   | MHz  |   |
| $ACC_{HSI}$                  | Accuracy of the HSI oscillator   | User-trimmed with the RCC_CR register <sup>(2)</sup> | -                                      | -   | 1   | %    |   |
|                              |                                  | Factory-calibrated                                   | $T_A = -40$ to $125$ °C <sup>(3)</sup> | -8  | -   | 5.5  |   |
|                              |                                  |  | $T_A = -40$ to $105$ °C <sup>(3)</sup> | -8  | -   | 4.5  | % |
|                              |                                  |  | $T_A = -10$ to $85$ °C <sup>(3)</sup>  | -4  | -   | 4    | % |
|                              | $T_A = 25$ °C <sup>(4)</sup>     | -1   | -                                      | 1   | %   |      |   |
| $t_{su(HSI)}$ <sup>(2)</sup> | HSI oscillator startup time      |  | -                                      | 2.2 | 4   | µs   |   |
| $I_{DD(HSI)}$ <sup>(2)</sup> | HSI oscillator power consumption |  | -                                      | 60  | 80  | µA   |   |

1.  $V_{DD} = 3.3$  V,  $T_A = -40$  to  $125$  °C unless otherwise specified.
2. Guaranteed by design.
3. Guaranteed by characterization results.
4. Factory calibrated non-soldered parts.

Figure 26. ACC<sub>HSI</sub> versus temperature



1. Guaranteed by characterization results.

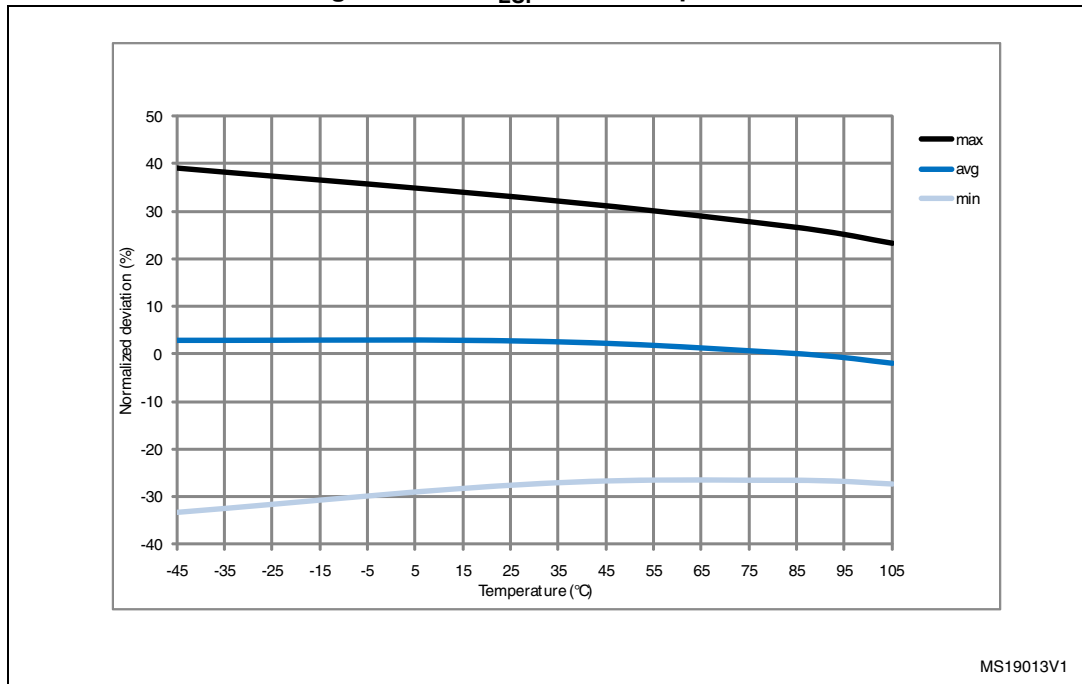
Low-speed internal (LSI) RC oscillator

Table 40. LSI oscillator characteristics (1)

| Symbol                              | Parameter                        | Min | Typ | Max | Unit |
|-------------------------------------|----------------------------------|-----|-----|-----|------|
| f <sub>LSI</sub> <sup>(2)</sup>     | Frequency                        | 17  | 32  | 47  | kHz  |
| t <sub>su(LSI)</sub> <sup>(3)</sup> | LSI oscillator startup time      | -   | 15  | 40  | µs   |
| I <sub>DD(LSI)</sub> <sup>(3)</sup> | LSI oscillator power consumption | -   | 0.4 | 0.6 | µA   |

1. V<sub>DD</sub> = 3 V, T<sub>A</sub> = -40 to 125 °C unless otherwise specified.
2. Guaranteed by characterization results.
3. Guaranteed by design.

Figure 27. ACC<sub>LSI</sub> versus temperature



MS19013V1

### 6.3.10 PLL characteristics

The parameters given in [Table 41](#) and [Table 42](#) are derived from tests performed under temperature and V<sub>DD</sub> supply voltage conditions summarized in [Table 14](#).

Table 41. Main PLL characteristics

| Symbol                 | Parameter                          | Conditions              | Min                 | Typ | Max  | Unit |    |
|------------------------|------------------------------------|-------------------------|---------------------|-----|------|------|----|
| f <sub>PLL_IN</sub>    | PLL input clock <sup>(1)</sup>     |                         | 0.95 <sup>(2)</sup> | 1   | 2.10 | MHz  |    |
| f <sub>PLL_OUT</sub>   | PLL multiplier output clock        |                         | 24                  | -   | 100  | MHz  |    |
| f <sub>PLL48_OUT</sub> | 48 MHz PLL multiplier output clock |                         | -                   | 48  | 75   | MHz  |    |
| f <sub>VCO_OUT</sub>   | PLL VCO output                     |                         | 100                 | -   | 432  | MHz  |    |
| t <sub>LOCK</sub>      | PLL lock time                      | VCO freq = 100 MHz      | 75                  | -   | 200  | μs   |    |
|                        |                                    | VCO freq = 432 MHz      | 100                 | -   | 300  |      |    |
| Jitter <sup>(3)</sup>  | Cycle-to-cycle jitter              | System clock<br>100 MHz | RMS                 | -   | 25   | -    | ps |
|                        |                                    |                         | peak to peak        | -   | ±150 | -    |    |
|                        | Period Jitter                      |                         | RMS                 | -   | 15   | -    |    |
|                        |                                    |                         | peak to peak        | -   | ±200 | -    |    |



**Table 41. Main PLL characteristics (continued)**

| Symbol               | Parameter                     | Conditions                               | Min          | Typ | Max          | Unit |
|----------------------|-------------------------------|--|--------------|-----|--------------|------|
| $I_{DD(PLL)}^{(4)}$  | PLL power consumption on VDD  | VCO freq = 100 MHz<br>VCO freq = 432 MHz | 0.15<br>0.45 | -   | 0.40<br>0.75 | mA   |
| $I_{DDA(PLL)}^{(4)}$ | PLL power consumption on VDDA | VCO freq = 100 MHz<br>VCO freq = 432 MHz | 0.30<br>0.55 | -   | 0.40<br>0.85 |      |

1. Take care of using the appropriate division factor M to obtain the specified PLL input clock values. The M factor is shared between PLL and PLLI2S.
2. Guaranteed by design.
3. The use of two PLLs in parallel could degraded the Jitter up to +30%.
4. Guaranteed by characterization results.

**Table 42. PLLI2S (audio PLL) characteristics**

| Symbol                  | Parameter  | Conditions  | Min                 | Typ | Max  | Unit |
|-------------------------|--|---|---------------------|-----|------|------|
| $f_{PLL2S\_IN}$         | PLLI2S input clock <sup>(1)</sup>                                    | -   | 0.95 <sup>(2)</sup> | 1   | 2.10 | MHz  |
| $f_{PLL2S\_OUT}$        | PLLI2S multiplier output clock                                       | -   | -                   | -   | 216  |      |
| $f_{VCO\_OUT}$          | PLLI2S VCO output  | -   | 100                 | -   | 432  |      |
| $t_{LOCK}$              | PLLI2S lock time   | VCO freq = 100 MHz  | 75                  | -   | 200  | µs   |
|                         |  | VCO freq = 432 MHz  | 100                 | -   | 300  |      |
| Jitter <sup>(3)</sup>   | Master I2S clock jitter  | Cycle to cycle at 12.288 MHz on 48 kHz period, N=432, R=5 | RMS                 | -   | 90   | ps   |
|                         |  |   | peak to peak        | -   | ±280 |      |
|                         | Average frequency of 12.288 MHz<br>N = 432, R = 5<br>on 1000 samples | -   | 90                  | -   |      |      |
|                         | WS I2S clock jitter  | Cycle to cycle at 48 KHz on 1000 samples                  | -                   | 400 | -    |      |
| $I_{DD(PLLI2S)}^{(4)}$  | PLLI2S power consumption on VDD                                      | VCO freq = 100 MHz  | 0.15                | -   | 0.40 | mA   |
|                         |  | VCO freq = 432 MHz  | 0.45                | -   | 0.75 |      |
| $I_{DDA(PLLI2S)}^{(4)}$ | PLLI2S power consumption on VDDA                                     | VCO freq = 100 MHz  | 0.30                | -   | 0.40 | mA   |
|                         |  | VCO freq = 432 MHz  | 0.55                | -   | 0.85 |      |

1. Take care of using the appropriate division factor M to have the specified PLL input clock values.
2. Guaranteed by design.
3. Value given with main PLL running.
4. Guaranteed by characterization results.

### 6.3.11 PLL spread spectrum clock generation (SSCG) characteristics

The spread spectrum clock generation (SSCG) feature allows to reduce electromagnetic interferences (see [Table 49: EMI characteristics for LQFP100](#)). It is available only on the main PLL.

**Table 43. SSCG parameter constraints**

| Symbol            | Parameter                              | Min  | Typ | Max <sup>(1)</sup> | Unit |
|-------------------|--|------|-----|--------------------|------|
| $f_{Mod}$         | Modulation frequency                   | -    | -   | 10                 | kHz  |
| md                | Peak modulation depth                  | 0.25 | -   | 2                  | %    |
| MODEPER * INCSTEP | (Modulation period) * (Increment Step) | -    | -   | $2^{15}-1$         | -    |

1. Guaranteed by design.

#### Equation 1

The frequency modulation period (MODEPER) is given by the equation below:

$$\text{MODEPER} = \text{round}[f_{\text{PLL\_IN}} / (4 \times f_{\text{Mod}})]$$

$f_{\text{PLL\_IN}}$  and  $f_{\text{Mod}}$  must be expressed in Hz.

As an example:

If  $f_{\text{PLL\_IN}} = 1 \text{ MHz}$ , and  $f_{\text{MOD}} = 1 \text{ kHz}$ , the modulation depth (MODEPER) is given by equation 1:

$$\text{MODEPER} = \text{round}[10^6 / (4 \times 10^3)] = 250$$

#### Equation 2

Equation 2 allows to calculate the increment step (INCSTEP):

$$\text{INCSTEP} = \text{round}[(2^{15} - 1) \times \text{md} \times \text{PLL}_N / (100 \times 5 \times \text{MODEPER})]$$

$f_{\text{VCO\_OUT}}$  must be expressed in MHz.

With a modulation depth (md) =  $\pm 2 \%$  (4 % peak to peak), and  $\text{PLL}_N = 240$  (in MHz):

$$\text{INCSTEP} = \text{round}[(2^{15} - 1) \times 2 \times 240 / (100 \times 5 \times 250)] = 126\text{md}(\text{quantitized})\%$$

An amplitude quantization error may be generated because the linear modulation profile is obtained by taking the quantized values (rounded to the nearest integer) of MODPER and INCSTEP. As a result, the achieved modulation depth is quantized. The percentage quantized modulation depth is given by the following formula:

$$\text{md}_{\text{quantitized}}\% = (\text{MODEPER} \times \text{INCSTEP} \times 100 \times 5) / ((2^{15} - 1) \times \text{PLL}_N)$$

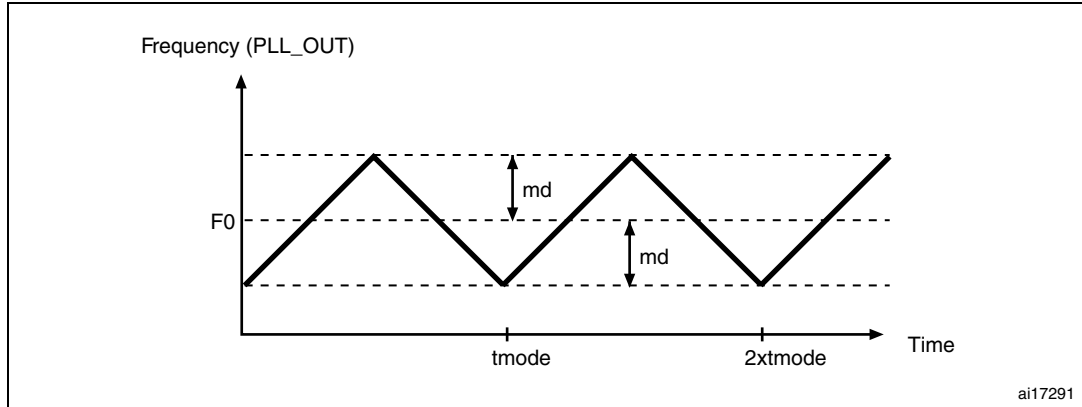
As a result:

$$\text{md}_{\text{quantitized}}\% = (250 \times 126 \times 100 \times 5) / ((2^{15} - 1) \times 240) = 2.002\%(\text{peak})$$

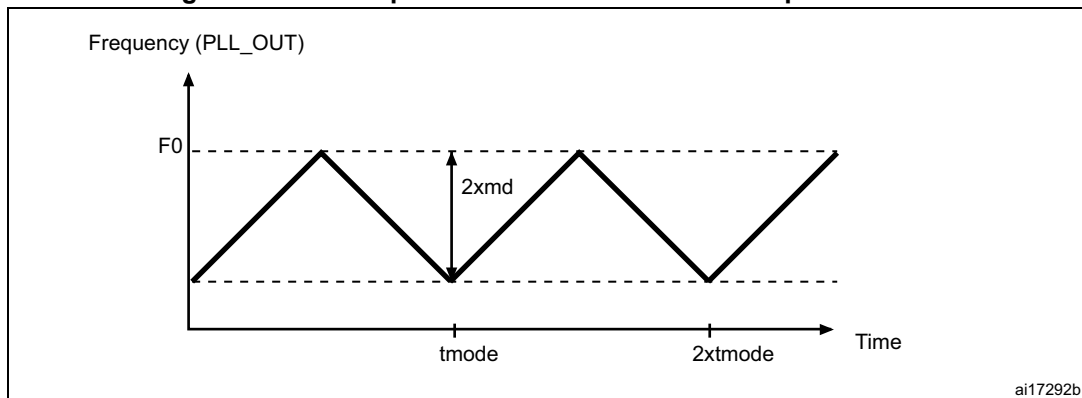
Figure 28 and Figure 29 show the main PLL output clock waveforms in center spread and down spread modes, where:

- F0 is  $f_{PLL\_OUT}$  nominal.
- $T_{mode}$  is the modulation period.
- md is the modulation depth.

**Figure 28. PLL output clock waveforms in center spread mode**



**Figure 29. PLL output clock waveforms in down spread mode**



### 6.3.12 Memory characteristics

#### Flash memory

The characteristics are given at  $T_A = -40$  to  $125$  °C unless otherwise specified.

The devices are shipped to customers with the Flash memory erased.

**Table 44. Flash memory characteristics**

| Symbol   | Parameter      | Conditions                                  | Min | Typ | Max | Unit |
|----------|----------------|---|-----|-----|-----|------|
| $I_{DD}$ | Supply current | Write / Erase 8-bit mode, $V_{DD} = 1.7$ V  | -   | 5   | -   | mA   |
|          |                | Write / Erase 16-bit mode, $V_{DD} = 2.1$ V | -   | 8   | -   |      |
|          |                | Write / Erase 32-bit mode, $V_{DD} = 3.3$ V | -   | 12  | -   |      |

**Table 45. Flash memory programming**

| Symbol                  | Parameter                  | Conditions                                    | Min <sup>(1)</sup> | Typ  | Max <sup>(1)</sup> | Unit |
|-------------------------|----------------------------|---|--------------------|------|--------------------|------|
| t <sub>prog</sub>       | Word programming time      | Program/erase parallelism (PSIZE) = x 8/16/32 | -                  | 16   | 100 <sup>(2)</sup> | µs   |
| t <sub>ERASE16KB</sub>  | Sector (16 KB) erase time  | Program/erase parallelism (PSIZE) = x 8       | -                  | 400  | 800                | ms   |
|                         |                            | Program/erase parallelism (PSIZE) = x 16      | -                  | 300  | 600                |      |
|                         |                            | Program/erase parallelism (PSIZE) = x 32      | -                  | 250  | 500                |      |
| t <sub>ERASE64KB</sub>  | Sector (64 KB) erase time  | Program/erase parallelism (PSIZE) = x 8       | -                  | 1200 | 2400               | ms   |
|                         |                            | Program/erase parallelism (PSIZE) = x 16      | -                  | 700  | 1400               |      |
|                         |                            | Program/erase parallelism (PSIZE) = x 32      | -                  | 550  | 1100               |      |
| t <sub>ERASE128KB</sub> | Sector (128 KB) erase time | Program/erase parallelism (PSIZE) = x 8       | -                  | 2    | 4                  | s    |
|                         |                            | Program/erase parallelism (PSIZE) = x 16      | -                  | 1.3  | 2.6                |      |
|                         |                            | Program/erase parallelism (PSIZE) = x 32      | -                  | 1    | 2                  |      |
| t <sub>ME</sub>         | Mass erase time            | Program/erase parallelism (PSIZE) = x 8       | -                  | 8    | 16                 | s    |
|                         |                            | Program/erase parallelism (PSIZE) = x 16      | -                  | 5.5  | 11                 |      |
|                         |                            | Program/erase parallelism (PSIZE) = x 32      | -                  | 4    | 8                  |      |
| V <sub>prog</sub>       | Programming voltage        | 32-bit program operation                      | 2.7                | -    | 3.6                | V    |
|                         |                            | 16-bit program operation                      | 2.1                | -    | 3.6                | V    |
|                         |                            | 8-bit program operation                       | 1.7                | -    | 3.6                | V    |

1. Guaranteed by characterization results.
2. The maximum programming time is measured after 100K erase operations.

**Table 46. Flash memory programming with V<sub>PP</sub> voltage**

| Symbol                  | Parameter                  | Conditions   | Min <sup>(1)</sup> | Typ  | Max <sup>(1)</sup> | Unit |
|-------------------------|----------------------------|--|--------------------|------|--------------------|------|
| t <sub>prog</sub>       | Double word programming    | T <sub>A</sub> = 0 to +40 °C<br>V <sub>DD</sub> = 3.3 V<br>V <sub>PP</sub> = 8.5 V | -                  | 16   | 100 <sup>(2)</sup> | µs   |
| t <sub>ERASE16KB</sub>  | Sector (16 KB) erase time  |  | -                  | 230  | -                  | ms   |
| t <sub>ERASE64KB</sub>  | Sector (64 KB) erase time  |  | -                  | 490  | -                  |      |
| t <sub>ERASE128KB</sub> | Sector (128 KB) erase time |  | -                  | 875  | -                  |      |
| t <sub>ME</sub>         | Mass erase time            |  | -                  | 3.50 | -                  | s    |



**Table 46. Flash memory programming with V<sub>PP</sub> voltage (continued)**

| Symbol                          | Parameter   | Conditions | Min <sup>(1)</sup> | Typ | Max <sup>(1)</sup> | Unit |
|---------------------------------|---|------------|--------------------|-----|--------------------|------|
| V <sub>prog</sub>               | Programming voltage                                     |            | 2.7                | -   | 3.6                | V    |
| V <sub>PP</sub>                 | V <sub>PP</sub> voltage range                           |            | 7                  | -   | 9                  | V    |
| I <sub>PP</sub>                 | Minimum current sunk on the V <sub>PP</sub> pin         |            | 10                 | -   | -                  | mA   |
| t <sub>VPP</sub> <sup>(3)</sup> | Cumulative time during which V <sub>PP</sub> is applied |            | -                  | -   | 1                  | hour |

1. Guaranteed by design.
2. The maximum programming time is measured after 100K erase operations.
3. V<sub>PP</sub> should only be connected during programming/erasing.

**Table 47. Flash memory endurance and data retention**

| Symbol           | Parameter      | Conditions   | Value              | Unit    |
|------------------|----------------|--|--------------------|---------|
|                  |                |  | Min <sup>(1)</sup> |         |
| N <sub>END</sub> | Endurance      | T <sub>A</sub> = - 40 to + 85 °C (temp. range 6)<br>T <sub>A</sub> = - 40 to + 105 °C (temp. range 7)<br>T <sub>A</sub> = - 40 to + 125 °C (temp. range 3) | 10                 | kcycles |
| t <sub>RET</sub> | Data retention | 1 kcycle <sup>(2)</sup> at T <sub>A</sub> = 85 °C  | 30                 | Years   |
|                  |                | 1 kcycle <sup>(2)</sup> at T <sub>A</sub> = 105 °C   | 10                 |         |
|                  |                | 1 kcycle <sup>(2)</sup> at T <sub>A</sub> = 125 °C   | 3                  |         |
|                  |                | 10 kcycle <sup>(2)</sup> at T <sub>A</sub> = 55 °C   | 20                 |         |

1. Guaranteed by characterization results.
2. Cycling performed over the whole temperature range.

### 6.3.13 EMC characteristics

Susceptibility tests are performed on a sample basis during device characterization.

#### Functional EMS (electromagnetic susceptibility)

While a simple application is executed on the device (toggling 2 LEDs through I/O ports), the device is stressed by two electromagnetic events until a failure occurs. The failure is indicated by the LEDs:

- **Electrostatic discharge (ESD)** (positive and negative) is applied to all device pins until a functional disturbance occurs. This test is compliant with the IEC 61000-4-2 standard.
- **FTB:** A burst of fast transient voltage (positive and negative) is applied to V<sub>DD</sub> and V<sub>SS</sub> through a 100 pF capacitor, until a functional disturbance occurs. This test is compliant with the IEC 61000-4-4 standard.

A device reset allows normal operations to be resumed.

The test results are given in [Table 49](#). They are based on the EMS levels and classes defined in application note AN1709.

Table 48. EMS characteristics for LQFP100 package

| Symbol     | Parameter   | Conditions  | Level/Class |
|------------|---|---|-------------|
| $V_{FESD}$ | Voltage limits to be applied on any I/O pin to induce a functional disturbance  | $V_{DD} = 3.3\text{ V}$ , LQFP100, WLCSP49, $T_A = +25\text{ °C}$ , $f_{HCLK} = 100\text{ MHz}$ , conforms to IEC 61000-4-2 | 2B          |
| $V_{EFTB}$ | Fast transient voltage burst limits to be applied through 100 pF on $V_{DD}$ and $V_{SS}$ pins to induce a functional disturbance | $V_{DD} = 3.3\text{ V}$ , LQFP100, WLCSP49, $T_A = +25\text{ °C}$ , $f_{HCLK} = 100\text{ MHz}$ , conforms to IEC 61000-4-4 | 4A          |

When the application is exposed to a noisy environment, it is recommended to avoid pin exposition to disturbances. The pins showing a middle range robustness are: PA0, PA1, PA2, on LQFP100 packages and PDR\_ON on WLCSP49.

As a consequence, it is recommended to add a serial resistor (1 k $\Omega$  maximum) located as close as possible to the MCU to the pins exposed to noise (connected to tracks longer than 50 mm on PCB).

### Designing hardened software to avoid noise problems

EMC characterization and optimization are performed at component level with a typical application environment and simplified MCU software. It should be noted that good EMC performance is highly dependent on the user application and the software in particular.

Therefore it is recommended that the user applies EMC software optimization and prequalification tests in relation with the EMC level requested for his application.

#### Software recommendations

The software flowchart must include the management of runaway conditions such as:

- Corrupted program counter
- Unexpected reset
- Critical Data corruption (control registers...)

#### Prequalification trials

Most of the common failures (unexpected reset and program counter corruption) can be reproduced by manually forcing a low state on the NRST pin or the Oscillator pins for 1 second.

To complete these trials, ESD stress can be applied directly on the device, over the range of specification values. When unexpected behavior is detected, the software can be hardened to prevent unrecoverable errors occurring (see application note AN1015).

**Electromagnetic Interference (EMI)**

The electromagnetic field emitted by the device are monitored while a simple application, executing EEMBC code, is running. This emission test is compliant with SAE IEC61967-2 standard which specifies the test board and the pin loading.

**Table 49. EMI characteristics for LQFP100**

| Symbol           | Parameter  | Conditions  | Monitored frequency band | Max vs. [f <sub>HSE</sub> /f <sub>CPU</sub> ] | Unit |
|------------------|------------|---|--------------------------|---|------|
|                  |            |   |                          | 8/84 MHz                                      |      |
| S <sub>EMI</sub> | Peak level | V <sub>DD</sub> = 3.6 V, T <sub>A</sub> = 25 °C, conforming to IEC61967-2 | 0.1 to 30 MHz            | 19  | dBµV |
|                  |            |   | 30 to 130 MHz            | 17  |      |
|                  |            |   | 130 MHz to 1 GHz         | 12  |      |
|                  |            |   | SAE EMI Level            | 3.5   | -    |

**6.3.14 Absolute maximum ratings (electrical sensitivity)**

Based on three different tests (ESD, LU) using specific measurement methods, the device is stressed in order to determine its performance in terms of electrical sensitivity.

**Electrostatic discharge (ESD)**

Electrostatic discharges (a positive then a negative pulse separated by 1 second) are applied to the pins of each sample according to each pin combination. The sample size depends on the number of supply pins in the device (3 parts × (n+1) supply pins). This test conforms to the JESD22-A114/C101 standard.

**Table 50. ESD absolute maximum ratings**

| Symbol                | Ratings   | Conditions  |                    | Class | Maximum value <sup>(1)</sup> | Unit |
|-----------------------|---|---|--------------------|-------|------------------------------|------|
| V <sub>ESD(HBM)</sub> | Electrostatic discharge voltage (human body model)    | T <sub>A</sub> = +25 °C conforming to JESD22-A114       |                    | 2     | 2000                         | V    |
| V <sub>ESD(CDM)</sub> | Electrostatic discharge voltage (charge device model) | T <sub>A</sub> = +25 °C conforming to ANSI/ESD STM5.3.1 | UFBGA100, UFQFPN48 | 4     | 500                          |      |
|                       |   |   | WLCSP49            | 3     | 400                          |      |
|                       |   |   | LQPF64, LQFP100    | 3     | 250                          |      |

1. Guaranteed by characterization results.

**Static latchup**

Two complementary static tests are required on six parts to assess the latchup performance:

- A supply overvoltage is applied to each power supply pin
- A current injection is applied to each input, output and configurable I/O pin

These tests are compliant with EIA/JESD 78A IC latchup standard.

**Table 51. Electrical sensitivities**

| Symbol | Parameter             | Conditions                                      | Class      |
|--------|-----------------------|---|------------|
| LU     | Static latch-up class | T <sub>A</sub> = + 125 °C conforming to JESD78A | II level A |

**6.3.15 I/O current injection characteristics**

As a general rule, current injection to the I/O pins, due to external voltage below V<sub>SS</sub> or above V<sub>DD</sub> (for standard, 3 V-capable I/O pins) should be avoided during normal product operation. However, in order to give an indication of the robustness of the microcontroller in cases when abnormal injection accidentally happens, susceptibility tests are performed on a sample basis during device characterization.

**Functional susceptibility to I/O current injection**

While a simple application is executed on the device, the device is stressed by injecting current into the I/O pins programmed in floating input mode. While current is injected into the I/O pin, one at a time, the device is checked for functional failures.

The failure is indicated by an out of range parameter: ADC error above a certain limit (>5 LSB TUE), out of conventional limits of induced leakage current on adjacent pins (out of -5 µA/+0 µA range), or other functional failure (for example reset, oscillator frequency deviation).

Negative induced leakage current is caused by negative injection and positive induced leakage current by positive injection.

The test results are given in [Table 52](#).

**Table 52. I/O current injection susceptibility<sup>(1)</sup>**

| Symbol           | Description  | Functional susceptibility |                    | Unit |
|------------------|--|---------------------------|--------------------|------|
|                  |  | Negative injection        | Positive injection |      |
| I <sub>INJ</sub> | Injected current on BOOT0 pin  | -0                        | NA                 | mA   |
|                  | Injected current on NRST pin   | -0                        | NA                 |      |
|                  | Injected current on PB3, PB4, PB5, PB6, PB7, PB8, PB9, PC13, PC14, PC15, PH1, PDR_ON, PC0, PC1, PC2, PC3, PD1, PD5, PD6, PD7, PE0, PE2, PE3, PE4, PE5, PE6 | -0                        | NA                 |      |
|                  | Injected current on any other FT pin   | -5                        | NA                 |      |
|                  | Injected current on any other pins   | -5                        | +5                 |      |

1. NA = not applicable.





Note: It is recommended to add a Schottky diode (pin to ground) to analog pins which may potentially inject negative currents.

### 6.3.16 I/O port characteristics

#### General input/output characteristics

Unless otherwise specified, the parameters given in [Table 53](#) are derived from tests performed under the conditions summarized in [Table 14](#). All I/Os are CMOS and TTL compliant.

Table 53. I/O static characteristics

| Symbol           | Parameter   | Conditions   | Min                                     | Typ                                | Max                                    | Unit |
|------------------|---|--|---|------------------------------------|--|------|
| V <sub>IL</sub>  | FT, TC and NRST I/O input low level voltage                 | 1.7 V ≤ V <sub>DD</sub> ≤ 3.6 V                                    | -                                       | -                                  | 0.3V <sub>DD</sub> <sup>(1)</sup>      | V    |
|                  | BOOT0 I/O input low level voltage                           | 1.75 V ≤ V <sub>DD</sub> ≤ 3.6 V, -40 °C ≤ T <sub>A</sub> ≤ 125 °C | -                                       | -                                  | 0.1V <sub>DD</sub> +0.1 <sup>(2)</sup> |      |
|                  |   | 1.7 V ≤ V <sub>DD</sub> ≤ 3.6 V, 0 °C ≤ T <sub>A</sub> ≤ 125 °C    | -                                       | -                                  |  |      |
| V <sub>IH</sub>  | FT, TC and NRST I/O input high level voltage <sup>(5)</sup> | 1.7 V ≤ V <sub>DD</sub> ≤ 3.6 V                                    | 0.7V <sub>DD</sub> <sup>(1)</sup>       | -                                  | -                                      | V    |
|                  | BOOT0 I/O input high level voltage                          | 1.75 V ≤ V <sub>DD</sub> ≤ 3.6 V, -40 °C ≤ T <sub>A</sub> ≤ 125 °C | 0.17V <sub>DD</sub> +0.7 <sup>(2)</sup> | -                                  | -                                      |      |
|                  |   | 1.7 V ≤ V <sub>DD</sub> ≤ 3.6 V, 0 °C ≤ T <sub>A</sub> ≤ 125 °C    |   | -                                  | -                                      |      |
| V <sub>HYS</sub> | FT, TC and NRST I/O input hysteresis                        | 1.7 V ≤ V <sub>DD</sub> ≤ 3.6 V                                    | -                                       | 10% V <sub>DD</sub> <sup>(3)</sup> | -                                      | V    |
|                  | BOOT0 I/O input hysteresis                                  | 1.75 V ≤ V <sub>DD</sub> ≤ 3.6 V, -40 °C ≤ T <sub>A</sub> ≤ 125 °C | -                                       | 100                                | -                                      | mV   |
|                  |   | 1.7 V ≤ V <sub>DD</sub> ≤ 3.6 V, 0 °C ≤ T <sub>A</sub> ≤ 125 °C    |   |                                    |  |      |
| I <sub>Ikg</sub> | I/O input leakage current <sup>(4)</sup>                    | V <sub>SS</sub> ≤ V <sub>IN</sub> ≤ V <sub>DD</sub>                | -                                       | -                                  | ±1                                     | μA   |
|                  | I/O FT/TC input leakage current <sup>(5)</sup>              | V <sub>IN</sub> = 5 V  | -                                       | -                                  | 3                                      |      |

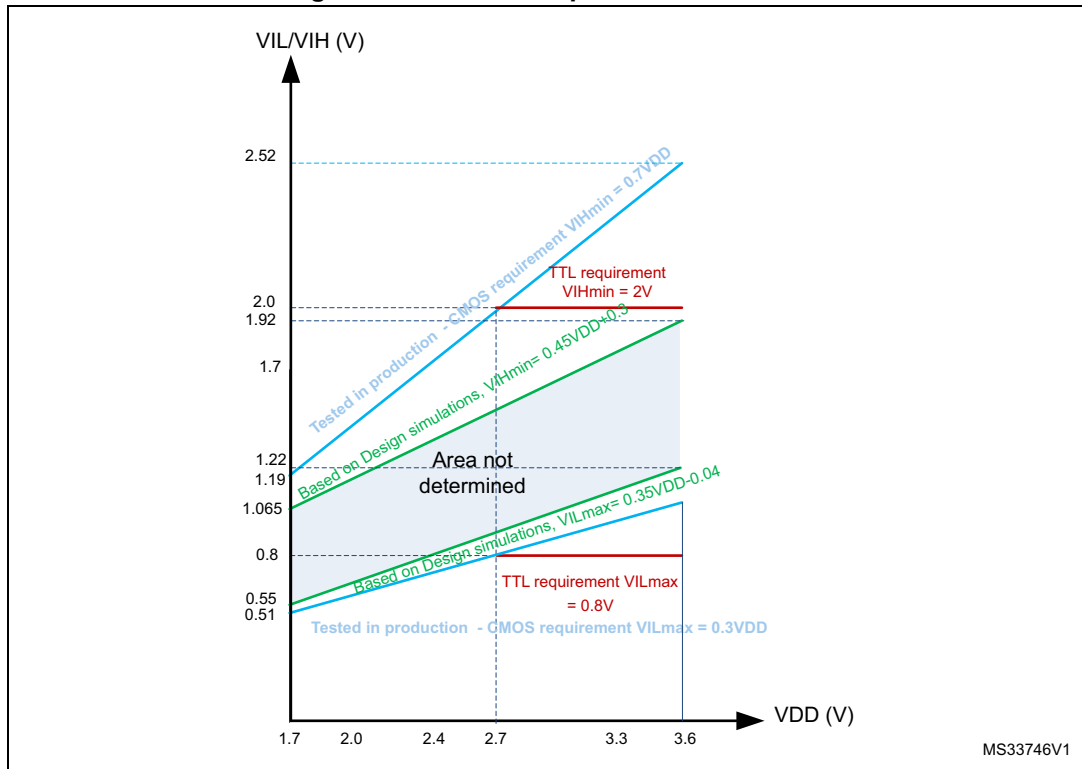
Table 53. I/O static characteristics (continued)

| Symbol                         | Parameter   |                                      | Conditions                        | Min | Typ | Max | Unit |
|--------------------------------|---|--------------------------------------|-----------------------------------|-----|-----|-----|------|
| R <sub>PU</sub>                | Weak pull-up equivalent resistor <sup>(6)</sup>   | All pins except for PA10 (OTG_FS_ID) | V <sub>IN</sub> = V <sub>SS</sub> | 30  | 40  | 50  | kΩ   |
|                                |   | PA10 (OTG_FS_ID)                     | -                                 | 7   | 10  | 14  |      |
| R <sub>PD</sub>                | Weak pull-down equivalent resistor <sup>(7)</sup> | All pins except for PA10 (OTG_FS_ID) | V <sub>IN</sub> = V <sub>DD</sub> | 30  | 40  | 50  |      |
|                                |   | PA10 (OTG_FS_ID)                     | -                                 | 7   | 10  | 14  |      |
| C <sub>IO</sub> <sup>(8)</sup> | I/O pin capacitance                               |                                      | -                                 | -   | 5   | -   | pF   |

1. Guaranteed by test in production.
2. Guaranteed by design.
3. With a minimum of 200 mV.
4. Leakage could be higher than the maximum value, if negative current is injected on adjacent pins, Refer to [Table 52: I/O current injection susceptibility](#)
5. To sustain a voltage higher than VDD +0.3 V, the internal pull-up/pull-down resistors must be disabled. Leakage could be higher than the maximum value, if negative current is injected on adjacent pins. Refer to [Table 52: I/O current injection susceptibility](#)
6. Pull-up resistors are designed with a true resistance in series with a switchable PMOS. This PMOS contribution to the series resistance is minimum (~10% order).
7. Pull-down resistors are designed with a true resistance in series with a switchable NMOS. This NMOS contribution to the series resistance is minimum (~10% order).
8. Hysteresis voltage between Schmitt trigger switching levels. Guaranteed by characterization results.

All I/Os are CMOS and TTL compliant (no software configuration required). Their characteristics cover more than the strict CMOS-technology or TTL parameters. The coverage of these requirements for FT and TC I/Os is shown in [Figure 30](#).

Figure 30. FT/TC I/O input characteristics



**Output driving current**

The GPIOs (general purpose input/outputs) can sink or source up to  $\pm 8$  mA, and sink or source up to  $\pm 20$  mA (with a relaxed  $V_{OL}/V_{OH}$ ) except PC13, PC14 and PC15 which can sink or source up to  $\pm 3$ mA. When using the PC13 to PC15 GPIOs in output mode, the speed should not exceed 2 MHz with a maximum load of 30 pF.

In the user application, the number of I/O pins which can drive current must be limited to respect the absolute maximum rating specified in [Section 6.2](#). In particular:

- The sum of the currents sourced by all the I/Os on  $V_{DD}$ , plus the maximum Run consumption of the MCU sourced on  $V_{DD}$ , cannot exceed the absolute maximum rating  $\Sigma I_{VDD}$  (see [Table 12](#)).
- The sum of the currents sunk by all the I/Os on  $V_{SS}$  plus the maximum Run consumption of the MCU sunk on  $V_{SS}$  cannot exceed the absolute maximum rating  $\Sigma I_{VSS}$  (see [Table 12](#)).

### Output voltage levels

Unless otherwise specified, the parameters given in [Table 54](#) are derived from tests performed under ambient temperature and  $V_{DD}$  supply voltage conditions summarized in [Table 14](#). All I/Os are CMOS and TTL compliant.

**Table 54. Output voltage characteristics**

| Symbol         | Parameter                                | Conditions   | Min                | Max         | Unit |
|----------------|--|--|--------------------|-------------|------|
| $V_{OL}^{(1)}$ | Output low level voltage for an I/O pin  | CMOS port <sup>(2)</sup><br>$I_{IO} = +8 \text{ mA}$<br>$2.7 \text{ V} \leq V_{DD} \leq 3.6 \text{ V}$ | -                  | 0.4         | V    |
| $V_{OH}^{(3)}$ | Output high level voltage for an I/O pin |  | $V_{DD}-0.4$       | -           |      |
| $V_{OL}^{(1)}$ | Output low level voltage for an I/O pin  | TTL port <sup>(2)</sup><br>$I_{IO} = +8 \text{ mA}$<br>$2.7 \text{ V} \leq V_{DD} \leq 3.6 \text{ V}$  | -                  | 0.4         | V    |
| $V_{OH}^{(3)}$ | Output high level voltage for an I/O pin |  | 2.4                | -           |      |
| $V_{OL}^{(1)}$ | Output low level voltage for an I/O pin  | $I_{IO} = +20 \text{ mA}$<br>$2.7 \text{ V} \leq V_{DD} \leq 3.6 \text{ V}$                            | -                  | $1.3^{(4)}$ | V    |
| $V_{OH}^{(3)}$ | Output high level voltage for an I/O pin |  | $V_{DD}-1.3^{(4)}$ | -           |      |
| $V_{OL}^{(1)}$ | Output low level voltage for an I/O pin  | $I_{IO} = +6 \text{ mA}$<br>$1.8 \text{ V} \leq V_{DD} \leq 3.6 \text{ V}$                             | -                  | $0.4^{(4)}$ | V    |
| $V_{OH}^{(3)}$ | Output high level voltage for an I/O pin |  | $V_{DD}-0.4^{(4)}$ | -           |      |
| $V_{OL}^{(1)}$ | Output low level voltage for an I/O pin  | $I_{IO} = +4 \text{ mA}$<br>$1.7 \text{ V} \leq V_{DD} \leq 3.6 \text{ V}$                             | -                  | $0.4^{(5)}$ | V    |
| $V_{OH}^{(3)}$ | Output high level voltage for an I/O pin |  | $V_{DD}-0.4^{(5)}$ | -           |      |

- The  $I_{IO}$  current sunk by the device must always respect the absolute maximum rating specified in [Table 12](#) and the sum of  $I_{IO}$  (I/O ports and control pins) must not exceed  $I_{VSS}$ .
- TTL and CMOS outputs are compatible with JEDEC standards JESD36 and JESD52.
- The  $I_{IO}$  current sourced by the device must always respect the absolute maximum rating specified in [Table 12](#) and the sum of  $I_{IO}$  (I/O ports and control pins) must not exceed  $I_{VDD}$ .
- Guaranteed by characterization results.
- Guaranteed by design.

**Input/output AC characteristics**

The definition and values of input/output AC characteristics are given in [Figure 31](#) and [Table 55](#), respectively.

Unless otherwise specified, the parameters given in [Table 55](#) are derived from tests performed under the ambient temperature and  $V_{DD}$  supply voltage conditions summarized in [Table 14](#).

**Table 55. I/O AC characteristics<sup>(1)(2)</sup>**

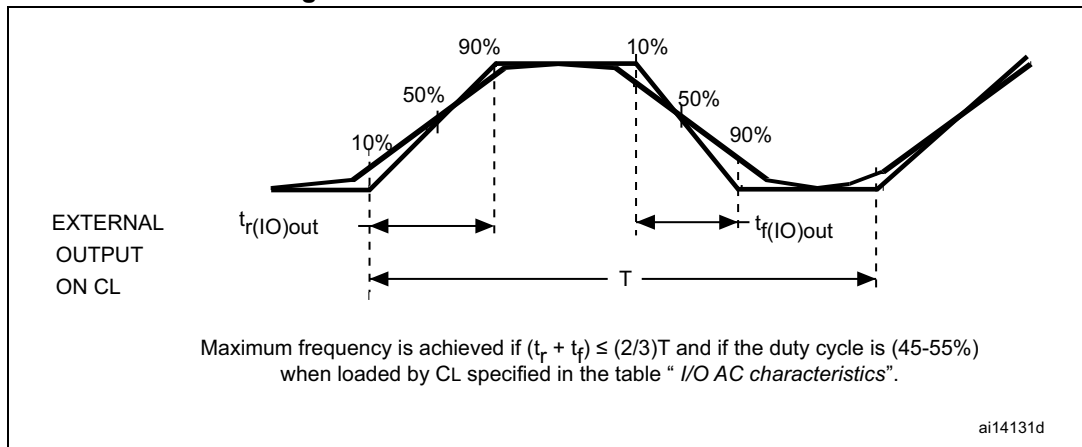
| OSPEEDRy<br>[1:0] bit<br>value <sup>(1)</sup>     | Symbol  | Parameter   | Conditions  | Min | Typ | Max                | Unit |
|---|---|---|---|-----|-----|--------------------|------|
| 00  | $f_{\max(\text{IO})\text{out}}$                               | Maximum frequency <sup>(3)</sup>  | $C_L = 50 \text{ pF}, V_{DD} \geq 2.70 \text{ V}$               | -   | -   | 4                  | MHz  |
|   |   |   | $C_L = 50 \text{ pF}, V_{DD} \geq 1.7 \text{ V}$                | -   | -   | 2                  |      |
|   |   |   | $C_L = 10 \text{ pF}, V_{DD} \geq 2.70 \text{ V}$               | -   | -   | 8                  |      |
|   |   |   | $C_L = 10 \text{ pF}, V_{DD} \geq 1.7 \text{ V}$                | -   | -   | 4                  |      |
|   | $t_{f(\text{IO})\text{out}}/$<br>$t_{r(\text{IO})\text{out}}$ | Output high to low level fall time and output low to high level rise time | $C_L = 50 \text{ pF}, V_{DD} = 1.7 \text{ V to } 3.6 \text{ V}$ | -   | -   | 100                | ns   |
| 01  | $f_{\max(\text{IO})\text{out}}$                               | Maximum frequency <sup>(3)</sup>  | $C_L = 50 \text{ pF}, V_{DD} \geq 2.70 \text{ V}$               | -   | -   | 25                 | MHz  |
|   |   |   | $C_L = 50 \text{ pF}, V_{DD} \geq 1.7 \text{ V}$                | -   | -   | 12.5               |      |
|   |   |   | $C_L = 10 \text{ pF}, V_{DD} \geq 2.70 \text{ V}$               | -   | -   | 50                 |      |
|   |   |   | $C_L = 10 \text{ pF}, V_{DD} \geq 1.7 \text{ V}$                | -   | -   | 20                 |      |
|   | $t_{f(\text{IO})\text{out}}/$<br>$t_{r(\text{IO})\text{out}}$ | Output high to low level fall time and output low to high level rise time | $C_L = 50 \text{ pF}, V_{DD} \geq 2.7 \text{ V}$                | -   | -   | 10                 | ns   |
| $C_L = 50 \text{ pF}, V_{DD} \geq 1.7 \text{ V}$  | -   | -   | 20  |     |     |                    |      |
| $C_L = 10 \text{ pF}, V_{DD} \geq 2.70 \text{ V}$ | -   | -   | 6   |     |     |                    |      |
| $C_L = 10 \text{ pF}, V_{DD} \geq 1.7 \text{ V}$  | -   | -   | 10  |     |     |                    |      |
| 10  | $f_{\max(\text{IO})\text{out}}$                               | Maximum frequency <sup>(3)</sup>  | $C_L = 40 \text{ pF}, V_{DD} \geq 2.70 \text{ V}$               | -   | -   | 50 <sup>(4)</sup>  | MHz  |
|   |   |   | $C_L = 40 \text{ pF}, V_{DD} \geq 1.7 \text{ V}$                | -   | -   | 25                 |      |
|   |   |   | $C_L = 10 \text{ pF}, V_{DD} \geq 2.70 \text{ V}$               | -   | -   | 100 <sup>(4)</sup> |      |
|   |   |   | $C_L = 10 \text{ pF}, V_{DD} \geq 1.7 \text{ V}$                | -   | -   | 50 <sup>(4)</sup>  |      |
|   | $t_{f(\text{IO})\text{out}}/$<br>$t_{r(\text{IO})\text{out}}$ | Output high to low level fall time and output low to high level rise time | $C_L = 40 \text{ pF}, V_{DD} \geq 2.70 \text{ V}$               | -   | -   | 6                  | ns   |
| $C_L = 40 \text{ pF}, V_{DD} \geq 1.7 \text{ V}$  | -   | -   | 10  |     |     |                    |      |
| $C_L = 10 \text{ pF}, V_{DD} \geq 2.70 \text{ V}$ | -   | -   | 4   |     |     |                    |      |
| $C_L = 10 \text{ pF}, V_{DD} \geq 1.7 \text{ V}$  | -   | -   | 6   |     |     |                    |      |

Table 55. I/O AC characteristics<sup>(1)(2)</sup> (continued)

| OSPEEDRy [1:0] bit value <sup>(1)</sup> | Symbol   | Parameter   | Conditions                                       | Min | Typ | Max                | Unit |
|---|--|---|--|-----|-----|--------------------|------|
| 11                                      | F <sub>max(IO)out</sub>                          | Maximum frequency <sup>(3)</sup>  | C <sub>L</sub> = 30 pF, V <sub>DD</sub> ≥ 2.70 V | -   | -   | 100 <sup>(4)</sup> | MHz  |
|   |  |   | C <sub>L</sub> = 30 pF, V <sub>DD</sub> ≥ 1.7 V  | -   | -   | 50 <sup>(4)</sup>  |      |
|   | t <sub>r(IO)out</sub> /<br>t <sub>r(IO)out</sub> | Output high to low level fall time and output low to high level rise time | C <sub>L</sub> = 30 pF, V <sub>DD</sub> ≥ 2.70 V | -   | -   | 4                  | ns   |
|   |  |   | C <sub>L</sub> = 30 pF, V <sub>DD</sub> ≥ 1.7 V  | -   | -   | 6                  |      |
|   |  |   | C <sub>L</sub> = 10 pF, V <sub>DD</sub> ≥ 2.70 V | -   | -   | 2.5                |      |
|   |  |   | C <sub>L</sub> = 10 pF, V <sub>DD</sub> ≥ 1.7 V  | -   | -   | 4                  |      |
| -                                       | t <sub>EXTIpw</sub>                              | Pulse width of external signals detected by the EXTI controller           |  | 10  | -   | -                  | ns   |

1. Guaranteed by characterization results.
2. The I/O speed is configured using the OSPEEDRy[1:0] bits. Refer to the STM32F4xx reference manual for a description of the GPIOx\_SPEEDR GPIO port output speed register.
3. The maximum frequency is defined in [Figure 31](#).
4. For maximum frequencies above 50 MHz and V<sub>DD</sub> > 2.4 V, the compensation cell should be used.

Figure 31. I/O AC characteristics definition



### 6.3.17 NRST pin characteristics

The NRST pin input driver uses CMOS technology. It is connected to a permanent pull-up resistor,  $R_{PU}$  (see [Table 53](#)).

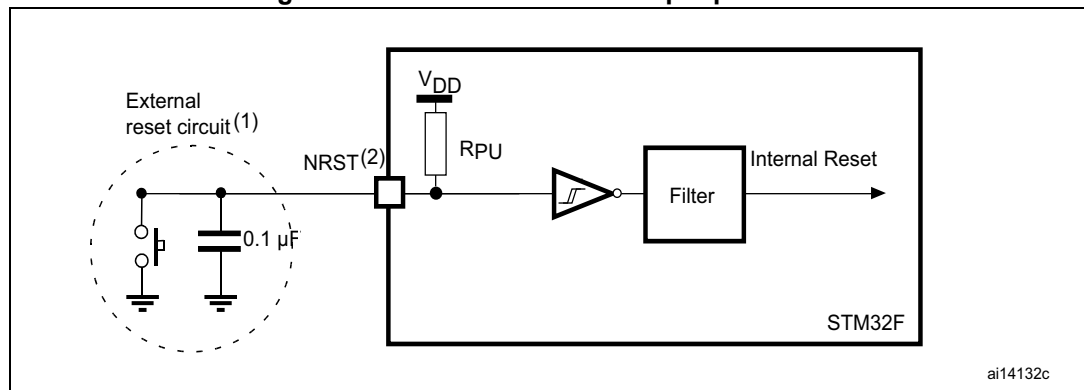
Unless otherwise specified, the parameters given in [Table 56](#) are derived from tests performed under the ambient temperature and  $V_{DD}$  supply voltage conditions summarized in [Table 14](#). Refer to [Table 53: I/O static characteristics](#) for the values of  $V_{IH}$  and  $V_{IL}$  for NRST pin.

**Table 56. NRST pin characteristics**

| Symbol                        | Parameter                                       | Conditions            | Min | Typ | Max | Unit       |
|-------------------------------|---|-----------------------|-----|-----|-----|------------|
| $R_{PU}$                      | Weak pull-up equivalent resistor <sup>(1)</sup> | $V_{IN} = V_{SS}$     | 30  | 40  | 50  | k $\Omega$ |
| $V_{F(NRST)}$ <sup>(2)</sup>  | NRST Input filtered pulse                       |                       | -   | -   | 100 | ns         |
| $V_{NF(NRST)}$ <sup>(2)</sup> | NRST Input not filtered pulse                   | $V_{DD} > 2.7 V$      | 300 | -   | -   | ns         |
| $T_{NRST\_OUT}$               | Generated reset pulse duration                  | Internal Reset source | 20  | -   | -   | $\mu s$    |

1. The pull-up is designed with a true resistance in series with a switchable PMOS. This PMOS contribution to the series resistance must be minimum (~10% order).
2. Guaranteed by design.

**Figure 32. Recommended NRST pin protection**



1. The reset network protects the device against parasitic resets.
2. The user must ensure that the level on the NRST pin can go below the  $V_{IL(NRST)}$  max level specified in [Table 56](#). Otherwise the reset is not taken into account by the device.

### 6.3.18 TIM timer characteristics

The parameters given in [Table 57](#) are guaranteed by design.

Refer to [Section 6.3.16: I/O port characteristics](#) for details on the input/output alternate function characteristics (output compare, input capture, external clock, PWM output).

**Table 57. TIMx characteristics<sup>(1)(2)</sup>**

| Symbol           | Parameter   | Conditions <sup>(3)</sup>                               | Min    | Max                  | Unit          |
|------------------|---|---|--------|----------------------|---------------|
| $t_{res(TIM)}$   | Timer resolution time                                       | AHB/APBx prescaler=1 or 2 or 4, $f_{TIMxCLK} = 100$ MHz | 1      | -                    | $t_{TIMxCLK}$ |
|                  |   |   | 11.9   | -                    | ns            |
|                  |   | AHB/APBx prescaler>4, $f_{TIMxCLK} = 100$ MHz           | 1      | -                    | $t_{TIMxCLK}$ |
|                  |   |   | 11.9   | -                    | ns            |
| $f_{EXT}$        | Timer external clock frequency on CH1 to CH4                | $f_{TIMxCLK} = 100$ MHz                                 | 0      | $f_{TIMxCLK}/2$      | MHz           |
|                  |   |   | 0      | 50                   | MHz           |
| $Res_{TIM}$      | Timer resolution  |   | -      | 16/32                | bit           |
| $t_{COUNTER}$    | 16-bit counter clock period when internal clock is selected | $f_{TIMxCLK} = 100$ MHz                                 | 0.0119 | 780                  | $\mu$ s       |
| $t_{MAX\_COUNT}$ | Maximum possible count with 32-bit counter                  |   | -      | $65536 \times 65536$ | $t_{TIMxCLK}$ |
|                  |   | $f_{TIMxCLK} = 100$ MHz                                 | -      | 51.1                 | S             |

1. TIMx is used as a general term to refer to the TIM1 to TIM11 timers.
2. Guaranteed by design.
3. The maximum timer frequency on APB1 is 50 MHz and on APB2 is up to 100 MHz, by setting the TIMPRE bit in the RCC\_DCKCFGR register, if APBx prescaler is 1 or 2 or 4, then  $TIMxCLK = HCKL$ , otherwise  $TIMxCLK \geq 4 \times PCLKx$ .

### 6.3.19 Communications interfaces

#### I<sup>2</sup>C interface characteristics

The I<sup>2</sup>C interface meets the requirements of the standard I<sup>2</sup>C communication protocol with the following restrictions: the I/O pins SDA and SCL are mapped to are not “true” open-drain. When configured as open-drain, the PMOS connected between the I/O pin and V<sub>DD</sub> is disabled, but is still present.

The I<sup>2</sup>C characteristics are described in [Table 58](#). Refer also to [Section 6.3.16: I/O port characteristics](#) for more details on the input/output alternate function characteristics (SDA and SCL).

The I<sup>2</sup>C bus interface supports standard mode (up to 100 kHz) and fast mode (up to 400 kHz). The I<sup>2</sup>C bus frequency can be increased up to 1 MHz. For more details about the complete solution, please contact your local ST sales representative.

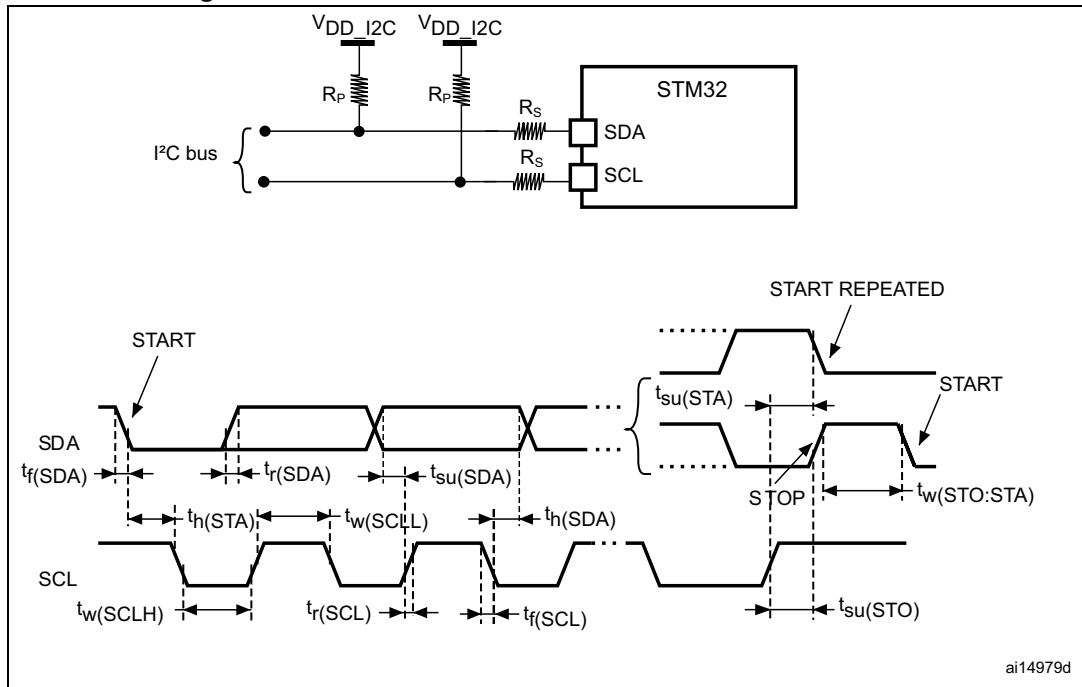


Table 58. I<sup>2</sup>C characteristics

| Symbol                                     | Parameter   | Standard mode I <sup>2</sup> C <sup>(1)(2)</sup> |                     | Fast mode I <sup>2</sup> C <sup>(1)(2)</sup> |                    | Unit |
|--|---|--|---------------------|--|--------------------|------|
|  |   | Min  | Max                 | Min  | Max                |      |
| t <sub>w(SCLL)</sub>                       | SCL clock low time  | 4.7  | -                   | 1.3  | -                  | μs   |
| t <sub>w(SCLH)</sub>                       | SCL clock high time   | 4.0  | -                   | 0.6  | -                  |      |
| t <sub>su(SDA)</sub>                       | SDA setup time  | 250  | -                   | 100  | -                  | ns   |
| t <sub>h(SDA)</sub>                        | SDA data hold time  | 0  | 3450 <sup>(3)</sup> | 0  | 900 <sup>(4)</sup> |      |
| t <sub>r(SDA)</sub><br>t <sub>r(SCL)</sub> | SDA and SCL rise time   | -  | 1000                | -  | 300                |      |
| t <sub>f(SDA)</sub><br>t <sub>f(SCL)</sub> | SDA and SCL fall time   | -  | 300                 | -  | 300                |      |
| t <sub>h(STA)</sub>                        | Start condition hold time   | 4.0  | -                   | 0.6  | -                  | μs   |
| t <sub>su(STA)</sub>                       | Repeated Start condition setup time   | 4.7  | -                   | 0.6  | -                  |      |
| t <sub>su(STO)</sub>                       | Stop condition setup time   | 4.0  | -                   | 0.6  | -                  | μs   |
| t <sub>w(STO:STA)</sub>                    | Stop to Start condition time (bus free)   | 4.7  | -                   | 1.3  | -                  | μs   |
| t <sub>SP</sub>                            | Pulse width of the spikes that are suppressed by the analog filter for standard fast mode | 0  | 50 <sup>(5)</sup>   | 0  | 50 <sup>(5)</sup>  | ns   |
| C <sub>b</sub>                             | Capacitive load for each bus line   | -  | 400                 | -  | 400                | pF   |

1. Guaranteed by design.
2. f<sub>PCLK1</sub> must be at least 2 MHz to achieve standard mode I<sup>2</sup>C frequencies. It must be at least 4 MHz to achieve fast mode I<sup>2</sup>C frequencies, and a multiple of 10 MHz to reach the 400 kHz maximum I<sup>2</sup>C fast mode clock.
3. The device must internally provide a hold time of at least 300 ns for the SDA signal in order to bridge the undefined region of the falling edge of SCL.
4. The maximum data hold time has only to be met if the interface does not stretch the low period of SCL signal.
5. The minimum width of the spikes filtered by the analog filter is above t<sub>SP</sub> (max)

Figure 33. I<sup>2</sup>C bus AC waveforms and measurement circuit



1.  $R_S$  = series protection resistor.
2.  $R_P$  = external pull-up resistor.
3.  $V_{DD\_I2C}$  is the I2C bus power supply.

Table 59. SCL frequency ( $f_{PCLK1} = 50 \text{ MHz}$ ,  $V_{DD} = V_{DD\_I2C} = 3.3 \text{ V}$ )<sup>(1)(2)</sup>

| $f_{SCL}$ (kHz) | I2C_CCR value               |
|-----------------|-----------------------------|
|                 | $R_p = 4.7 \text{ k}\Omega$ |
| 400             | 0x8019                      |
| 300             | 0x8021                      |
| 200             | 0x8032                      |
| 100             | 0x0096                      |
| 50              | 0x012C                      |
| 20              | 0x02EE                      |

1.  $R_p$  = External pull-up resistance,  $f_{SCL}$  = I<sup>2</sup>C speed
2. For speeds around 200 kHz, the tolerance on the achieved speed is of  $\pm 5\%$ . For other speed ranges, the tolerance on the achieved speed is  $\pm 2\%$ . These variations depend on the accuracy of the external components used to design the application.

**SPI interface characteristics**

Unless otherwise specified, the parameters given in [Table 60](#) for the SPI interface are derived from tests performed under the ambient temperature,  $f_{PCLKX}$  frequency and  $V_{DD}$  supply voltage conditions summarized in [Table 14](#), with the following configuration:

- Output speed is set to OSPEEDRy[1:0] = 10
- Capacitive load C = 30 pF
- Measurement points are done at CMOS levels:  $0.5V_{DD}$

Refer to [Section 6.3.16: I/O port characteristics](#) for more details on the input/output alternate function characteristics (NSS, SCK, MOSI, MISO for SPI).

**Table 60. SPI dynamic characteristics<sup>(1)</sup>**

| Symbol                         | Parameter                         | Conditions   | Min              | Typ        | Max               | Unit |
|--------------------------------|-----------------------------------|--|------------------|------------|-------------------|------|
| $f_{SCK}$<br>$1/t_{c(SCK)}$    | SPI clock frequency               | Master full duplex/receiver mode,<br>$2.7 V < V_{DD} < 3.6 V$<br>SPI1/4/5  | -                | -          | 42                | MHz  |
|                                |                                   | Master full duplex/receiver mode,<br>$3.0 V < V_{DD} < 3.6 V$<br>SPI1/4/5  | -                | -          | 50                |      |
|                                |                                   | Master transmitter mode<br>$1.7 V < V_{DD} < 3.6 V$<br>SPI1/4/5            | -                | -          | 50                |      |
|                                |                                   | Master mode<br>$1.7 V < V_{DD} < 3.6 V$<br>SPI1/2/3/4/5                    | -                | -          | 25                |      |
|                                |                                   | Slave transmitter/full duplex mode<br>$2.7 V < V_{DD} < 3.6 V$<br>SPI1/4/5 | -                | -          | 38 <sup>(2)</sup> |      |
|                                |                                   | Slave receiver mode,<br>$1.8 V < V_{DD} < 3.6 V$<br>SPI1/4/5               | -                | -          | 50                |      |
|                                |                                   | Slave mode,<br>$1.8 V < V_{DD} < 3.6 V$<br>SPI1/2/3/4/5                    | -                | -          | 25                |      |
| Duty(SCK)                      | Duty cycle of SPI clock frequency | Slave mode   | 30               | 50         | 70                | %    |
| $t_{w(SCKH)}$<br>$t_{w(SCKL)}$ | SCK high and low time             | Master mode, SPI presc = 2   | $T_{PCLK} - 1.5$ | $T_{PCLK}$ | $T_{PCLK} + 1.5$  | ns   |
| $t_{su(NSS)}$                  | NSS setup time                    | Slave mode, SPI presc = 2  | $3T_{PCLK}$      | -          | -                 | ns   |
| $t_{h(NSS)}$                   | NSS hold time                     | Slave mode, SPI presc = 2  | $2T_{PCLK}$      | -          | -                 | ns   |
| $t_{su(MI)}$                   | Data input setup time             | Master mode  | 4                | -          | -                 | ns   |
| $t_{su(SI)}$                   |                                   | Slave mode   | 2.5              | -          | -                 | ns   |
| $t_{h(MI)}$                    | Data input hold time              | Master mode  | 7.5              | -          | -                 | ns   |
| $t_{h(SI)}$                    |                                   | Slave mode   | 3.5              | -          | -                 | ns   |

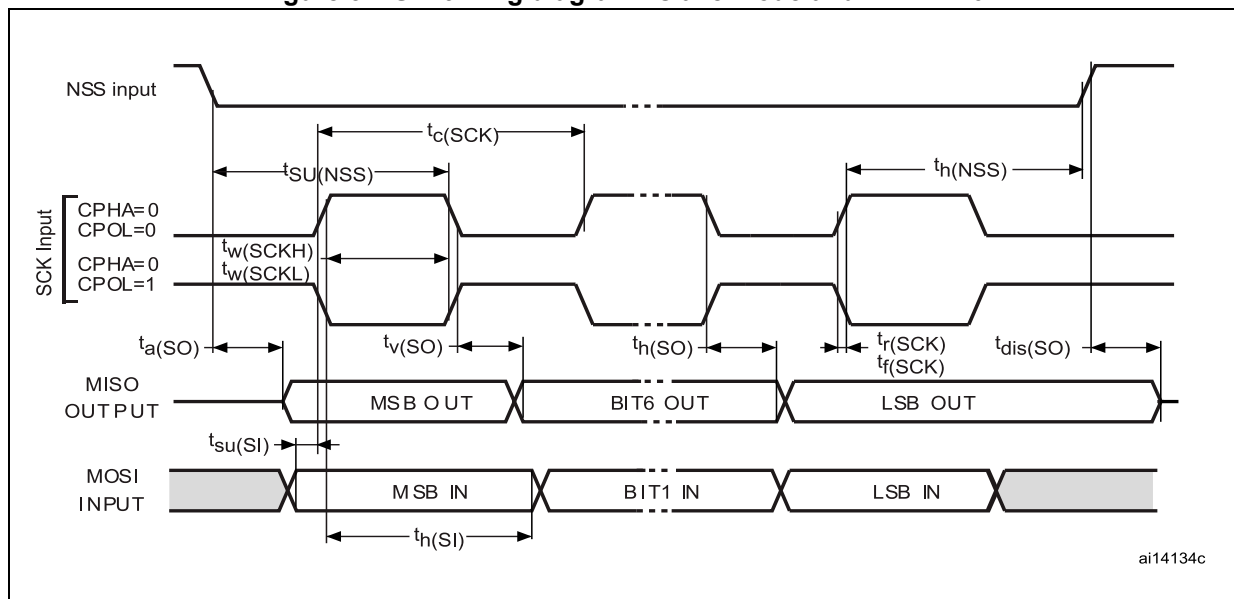


Table 60. SPI dynamic characteristics<sup>(1)</sup> (continued)

| Symbol        | Parameter                | Conditions  | Min | Typ | Max  | Unit |
|---------------|--------------------------|---|-----|-----|------|------|
| $t_{a(SO)}$   | Data output access time  | Slave mode  | 7   | -   | 21   | ns   |
| $t_{dis(SO)}$ | Data output disable time | Slave mode  | 5   | -   | 12   | ns   |
| $t_{v(SO)}$   | Data output valid time   | Slave mode (after enable edge),<br>2.7 V < $V_{DD}$ < 3.6 V | -   | 11  | 13   | ns   |
|               |                          | Slave mode (after enable edge),<br>1.7 V < $V_{DD}$ < 3.6 V | -   | 11  | 18.5 | ns   |
| $t_{h(SO)}$   | Data output hold time    | Slave mode (after enable edge),<br>1.7 V < $V_{DD}$ < 3.6 V | 8   | -   | -    | ns   |
| $t_{v(MO)}$   | Data output valid time   | Master mode (after enable edge)                             | -   | 4   | 6    | ns   |
| $t_{h(MO)}$   | Data output hold time    | Master mode (after enable edge)                             | 0   | -   | -    | ns   |

1. Guaranteed by characterization results.
2. Maximum frequency in Slave transmitter mode is determined by the sum of  $t_{v(SO)}$  and  $t_{su(MI)}$  which has to fit into SCK low or high phase preceding the SCK sampling edge. This value can be achieved when the SPI communicates with a master having  $t_{su(MI)} = 0$  while Duty(SCK) = 50%

Figure 34. SPI timing diagram - slave mode and CPHA = 0



ai14134c

Figure 35. SPI timing diagram - slave mode and CPHA = 1<sup>(1)</sup>

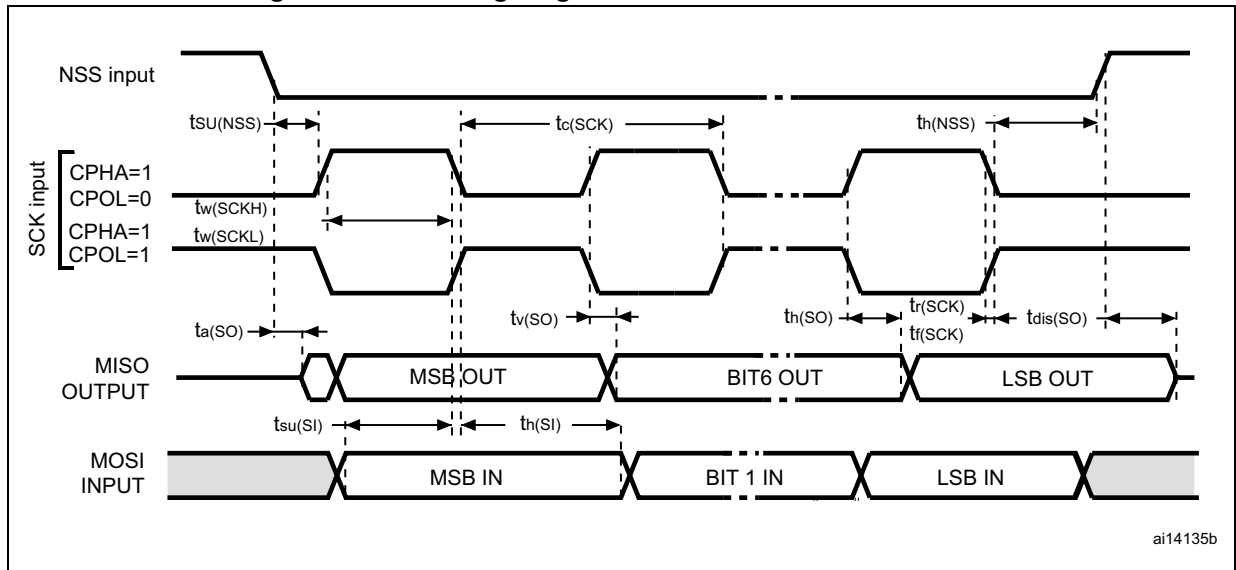
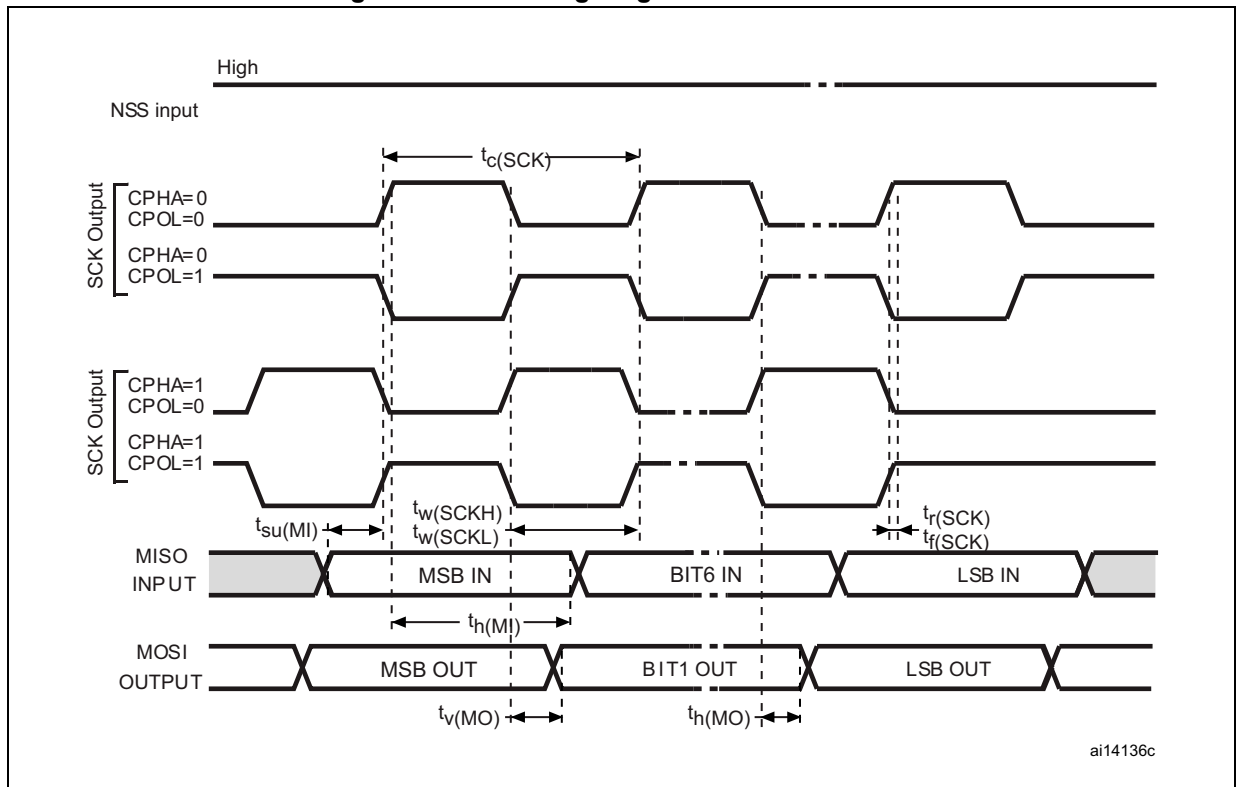


Figure 36. SPI timing diagram - master mode<sup>(1)</sup>



## I<sup>2</sup>S interface characteristics

Unless otherwise specified, the parameters given in [Table 61](#) for the I<sup>2</sup>S interface are derived from tests performed under the ambient temperature,  $f_{PCLKX}$  frequency and  $V_{DD}$  supply voltage conditions summarized in [Table 14](#), with the following configuration:

- Output speed is set to  $OSPEEDRy[1:0] = 10$
- Capacitive load  $C = 30$  pF
- Measurement points are done at CMOS levels:  $0.5V_{DD}$

Refer to [Section 6.3.16: I/O port characteristics](#) for more details on the input/output alternate function characteristics (CK, SD, WS).

**Table 61. I<sup>2</sup>S dynamic characteristics<sup>(1)</sup>**

| Symbol           | Parameter                      | Conditions                             | Min    | Max                       | Unit |
|------------------|--------------------------------|--|--------|---------------------------|------|
| $f_{MCK}$        | I2S Main clock output          | -                                      | 256x8K | 256x $F_S$ <sup>(2)</sup> | MHz  |
| $f_{CK}$         | I2S clock frequency            | Master data: 32 bits                   | -      | 64x $F_S$                 | MHz  |
|                  |                                | Slave data: 32 bits                    | -      | 64x $F_S$                 |      |
| $D_{CK}$         | I2S clock frequency duty cycle | Slave receiver                         | 30     | 70                        | %    |
| $t_{v(WS)}$      | WS valid time                  | Master mode                            | 0      | 7                         | ns   |
| $t_{h(WS)}$      | WS hold time                   | Master mode                            | 1.5    | -                         |      |
| $t_{su(WS)}$     | WS setup time                  | Slave mode                             | 1.5    | -                         |      |
| $t_{h(WS)}$      | WS hold time                   | Slave mode                             | 3      | -                         |      |
| $t_{su(SD\_MR)}$ | Data input setup time          | Master receiver                        | 1      | -                         |      |
| $t_{su(SD\_SR)}$ |                                | Slave receiver                         | 2.5    | -                         |      |
| $t_{h(SD\_MR)}$  | Data input hold time           | Master receiver                        | 7      | -                         |      |
| $t_{h(SD\_SR)}$  |                                | Slave receiver                         | 2.5    | -                         |      |
| $t_{v(SD\_ST)}$  | Data output valid time         | Slave transmitter (after enable edge)  | -      | 20                        |      |
| $t_{v(SD\_MT)}$  |                                | Master transmitter (after enable edge) | -      | 6                         |      |
| $t_{h(SD\_ST)}$  | Data output hold time          | Slave transmitter (after enable edge)  | 8      | -                         |      |
| $t_{h(SD\_MT)}$  |                                | Master transmitter (after enable edge) | 2      | -                         |      |

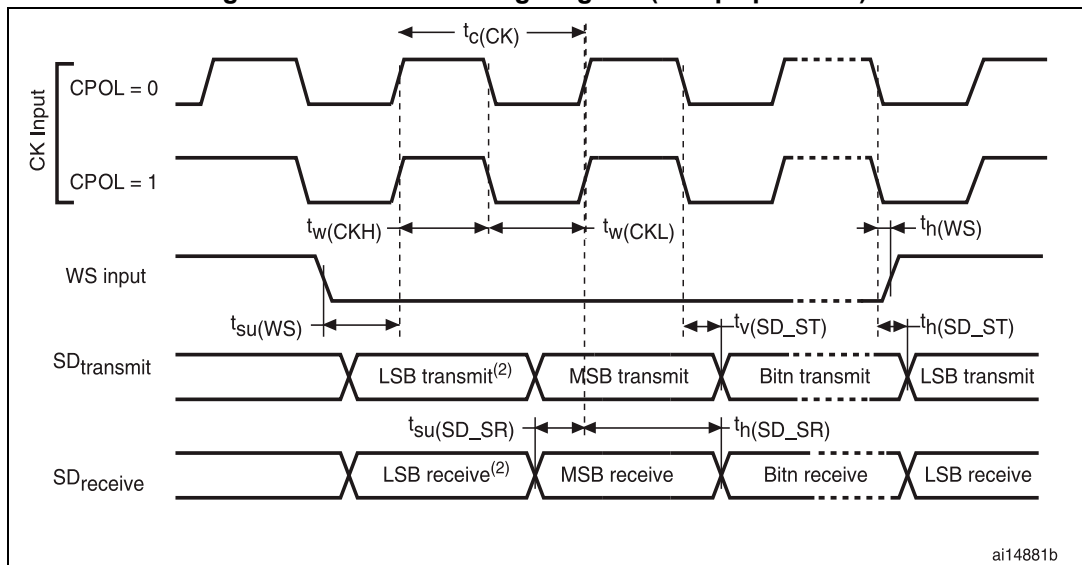
1. Guaranteed by characterization results.

2. The maximum value of 256x $F_S$  is 50 MHz (APB1 maximum frequency).

**Note:** Refer to the I2S section of RM0383 reference manual for more details on the sampling frequency ( $F_S$ ).

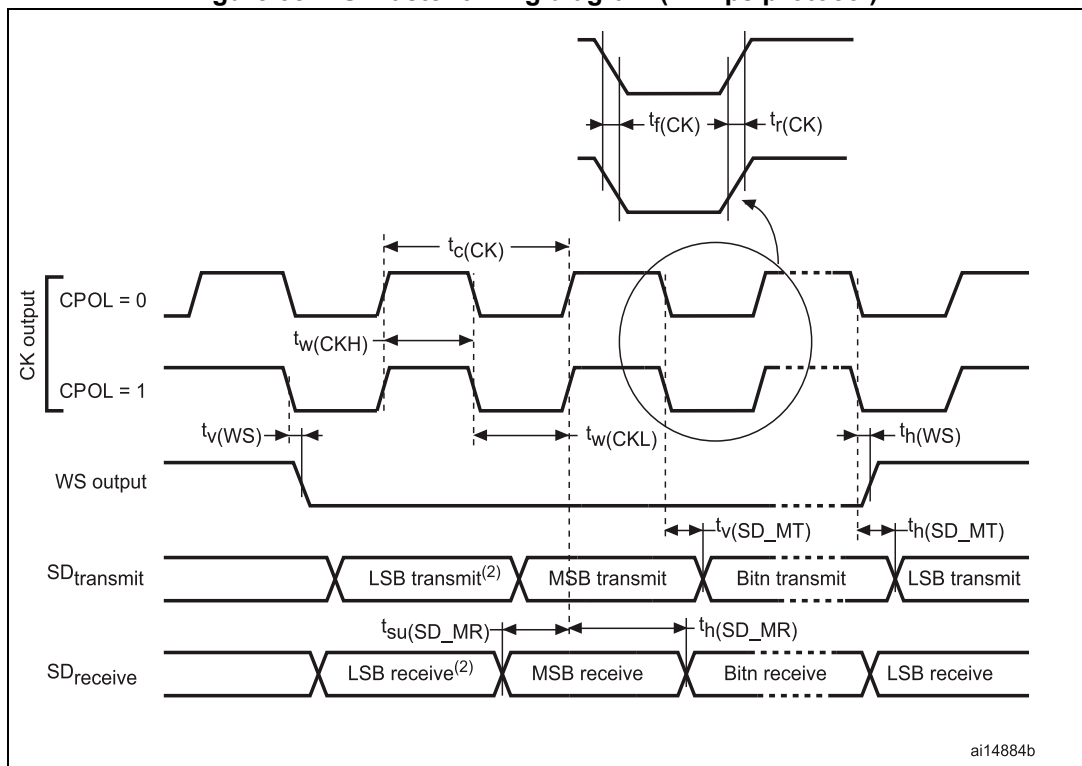
$f_{MCK}$ ,  $f_{CK}$ , and  $D_{CK}$  values reflect only the digital peripheral behavior. The values of these parameters might be slightly impacted by the source clock precision.  $D_{CK}$  depends mainly on the value of ODD bit. The digital contribution leads to a minimum value of  $(I2SDIV/(2*I2SDIV+ODD))$  and a maximum value of  $(I2SDIV+ODD)/(2*I2SDIV+ODD)$ .  $F_S$  maximum value is supported for each mode/condition.

Figure 37. I<sup>2</sup>S slave timing diagram (Philips protocol)<sup>(1)</sup>



1. LSB transmit/receive of the previously transmitted byte. No LSB transmit/receive is sent before the first byte.

Figure 38. I<sup>2</sup>S master timing diagram (Philips protocol)<sup>(1)</sup>



1. LSB transmit/receive of the previously transmitted byte. No LSB transmit/receive is sent before the first byte.

**USB OTG full speed (FS) characteristics**

This interface is present in USB OTG FS controller.

**Table 62. USB OTG FS startup time**

| Symbol              | Parameter                           | Max | Unit    |
|---------------------|-------------------------------------|-----|---------|
| $t_{STARTUP}^{(1)}$ | USB OTG FS transceiver startup time | 1   | $\mu s$ |

1. Guaranteed by design.

**Table 63. USB OTG FS DC electrical characteristics**

| Symbol        | Parameter                 | Conditions                      | Min. <sup>(1)</sup>                             | Typ. | Max. <sup>(1)</sup> | Unit       |   |
|---------------|---------------------------|---------------------------------|---|------|---------------------|------------|---|
| Input levels  | $V_{DD}$                  | USB OTG FS operating voltage    | 3.0 <sup>(2)</sup>                              | -    | 3.6                 | V          |   |
|               | $V_{DI}^{(3)}$            | Differential input sensitivity  | I(USB_FS_DP/DM)                                 | 0.2  | -                   | -          | V |
|               | $V_{CM}^{(3)}$            | Differential common mode range  | Includes $V_{DI}$ range                         | 0.8  | -                   | 2.5        |   |
|               | $V_{SE}^{(3)}$            | Single ended receiver threshold |   | 1.3  | -                   | 2.0        |   |
| Output levels | $V_{OL}$                  | Static output level low         | $R_L$ of 1.5 k $\Omega$ to 3.6 V <sup>(4)</sup> | -    | -                   | 0.3        | V |
|               | $V_{OH}$                  | Static output level high        | $R_L$ of 15 k $\Omega$ to $V_{SS}^{(4)}$        | 2.8  | -                   | 3.6        |   |
| $R_{PD}$      | PA11, PA12 (USB_FS_DM/DP) | $V_{IN} = V_{DD}$               | 17  | 21   | 24                  | k $\Omega$ |   |
|               | PA9 (OTG_FS_VBUS)         |                                 | 0.65  | 1.1  | 2.0                 |            |   |
| $R_{PU}$      | PA11, PA12 (USB_FS_DM/DP) | $V_{IN} = V_{SS}$               | 1.5   | 1.8  | 2.1                 |            |   |
|               | PA9 (OTG_FS_VBUS)         | $V_{IN} = V_{SS}$               | 0.25  | 0.37 | 0.55                |            |   |

1. All the voltages are measured from the local ground potential.
2. The USB OTG FS functionality is ensured down to 2.7 V but not the full USB full speed electrical characteristics which are degraded in the 2.7-to-3.0 V  $V_{DD}$  voltage range.
3. Guaranteed by design.
4.  $R_L$  is the load connected on the USB OTG FS drivers.

**Note:** When VBUS sensing feature is enabled, PA9 should be left at their default state (floating input), not as alternate function. A typical 200  $\mu A$  current consumption of the embedded sensing block (current to voltage conversion to determine the different sessions) can be observed on PA9 when the feature is enabled.



Figure 39. USB OTG FS timings: definition of data signal rise and fall time

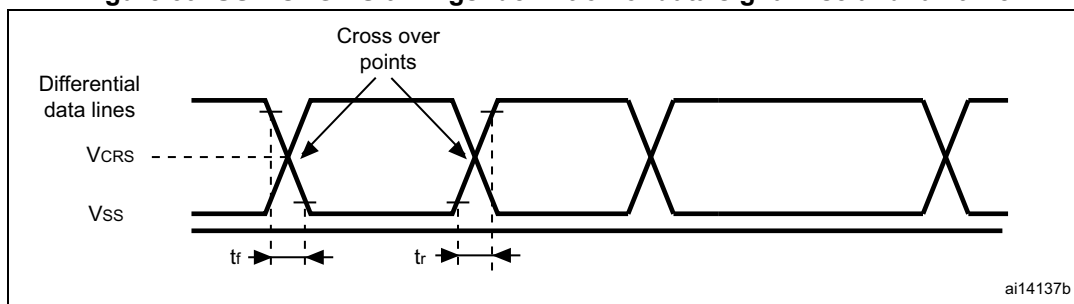


Table 64. USB OTG FS electrical characteristics<sup>(1)</sup>

| Driver characteristics |                                 |                       |     |     |      |
|------------------------|---------------------------------|-----------------------|-----|-----|------|
| Symbol                 | Parameter                       | Conditions            | Min | Max | Unit |
| $t_r$                  | Rise time <sup>(2)</sup>        | $C_L = 50 \text{ pF}$ | 4   | 20  | ns   |
| $t_f$                  | Fall time <sup>(2)</sup>        | $C_L = 50 \text{ pF}$ | 4   | 20  | ns   |
| $t_{rfm}$              | Rise/ fall time matching        | $t_r/t_f$             | 90  | 110 | %    |
| $V_{CRS}$              | Output signal crossover voltage |                       | 1.3 | 2.0 | V    |

1. Guaranteed by design.
2. Measured from 10% to 90% of the data signal. For more detailed informations, please refer to USB Specification - Chapter 7 (version 2.0).

### 6.3.20 12-bit ADC characteristics

Unless otherwise specified, the parameters given in [Table 65](#) are derived from tests performed under the ambient temperature,  $f_{PCLK2}$  frequency and  $V_{DDA}$  supply voltage conditions summarized in [Table 14](#).

Table 65. ADC characteristics

| Symbol             | Parameter                               | Conditions  | Min   | Typ | Max        | Unit        |
|--------------------|---|---|---|-----|------------|-------------|
| $V_{DDA}$          | Power supply                            | $V_{DDA} - V_{REF+} < 1.2 \text{ V}$              | 1.7 <sup>(1)</sup>                          | -   | 3.6        | V           |
| $V_{REF+}$         | Positive reference voltage              |   | 1.7 <sup>(1)</sup>                          | -   | $V_{DDA}$  | V           |
| $f_{ADC}$          | ADC clock frequency                     | $V_{DDA} = 1.7^{(1)} \text{ to } 2.4 \text{ V}$   | 0.6   | 15  | 18         | MHz         |
|                    |   | $V_{DDA} = 2.4 \text{ to } 3.6 \text{ V}$         | 0.6   | 30  | 36         | MHz         |
| $f_{TRIG}^{(2)}$   | External trigger frequency              | $f_{ADC} = 30 \text{ MHz}$ ,<br>12-bit resolution | -   | -   | 1764       | kHz         |
|                    |   |   | -   | -   | 17         | $1/f_{ADC}$ |
| $V_{AIN}$          | Conversion voltage range <sup>(3)</sup> |   | 0 ( $V_{SSA}$ or $V_{REF-}$ tied to ground) | -   | $V_{REF+}$ | V           |
| $R_{AIN}^{(2)}$    | External input impedance                | See <a href="#">Equation 1</a> for details        | -   | -   | 50         | k $\Omega$  |
| $R_{ADC}^{(2)(4)}$ | Sampling switch resistance              |   | -   | -   | 6          | k $\Omega$  |
| $C_{ADC}^{(2)}$    | Internal sample and hold capacitor      |   | -   | 4   | 7          | pF          |

Table 65. ADC characteristics (continued)

| Symbol            | Parameter   | Conditions  | Min   | Typ | Max              | Unit        |
|-------------------|---|---|-------|-----|------------------|-------------|
| $t_{lat}^{(2)}$   | Injection trigger conversion latency                                | $f_{ADC} = 30$ MHz  | -     | -   | 0.100            | $\mu$ s     |
|                   |   |   | -     | -   | 3 <sup>(5)</sup> | $1/f_{ADC}$ |
| $t_{latr}^{(2)}$  | Regular trigger conversion latency                                  | $f_{ADC} = 30$ MHz  | -     | -   | 0.067            | $\mu$ s     |
|                   |   |   | -     | -   | 2 <sup>(5)</sup> | $1/f_{ADC}$ |
| $t_S^{(2)}$       | Sampling time   | $f_{ADC} = 30$ MHz  | 0.100 | -   | 16               | $\mu$ s     |
|                   |   |   | 3     | -   | 480              | $1/f_{ADC}$ |
| $t_{STAB}^{(2)}$  | Power-up time   |   | -     | 2   | 3                | $\mu$ s     |
| $t_{CONV}^{(2)}$  | Total conversion time (including sampling time)                     | $f_{ADC} = 30$ MHz<br>12-bit resolution                                       | 0.50  | -   | 16.40            | $\mu$ s     |
|                   |   | $f_{ADC} = 30$ MHz<br>10-bit resolution                                       | 0.43  | -   | 16.34            | $\mu$ s     |
|                   |   | $f_{ADC} = 30$ MHz<br>8-bit resolution  | 0.37  | -   | 16.27            | $\mu$ s     |
|                   |   | $f_{ADC} = 30$ MHz<br>6-bit resolution  | 0.30  | -   | 16.20            | $\mu$ s     |
|                   |   | 9 to 492 ( $t_S$ for sampling +n-bit resolution for successive approximation) |       |     |                  |             |
| $f_S^{(2)}$       | Sampling rate<br>( $f_{ADC} = 30$ MHz, and<br>$t_S = 3$ ADC cycles) | 12-bit resolution<br>Single ADC   | -     | -   | 2                | MspS        |
|                   |   | 12-bit resolution<br>Interleave Dual ADC<br>mode                              | -     | -   | 3.75             | MspS        |
|                   |   | 12-bit resolution<br>Interleave Triple ADC<br>mode                            | -     | -   | 6                | MspS        |
| $I_{VREF+}^{(2)}$ | ADC $V_{REF}$ DC current consumption in conversion mode             |   | -     | 300 | 500              | $\mu$ A     |
| $I_{VDDA}^{(2)}$  | ADC $V_{DDA}$ DC current consumption in conversion mode             |   | -     | 1.6 | 1.8              | mA          |

- $V_{DDA}$  minimum value of 1.7 V is possible with the use of an external power supply supervisor (refer to [Section 3.15.2: Internal reset OFF](#)).
- Guaranteed by characterization results.
- $V_{REF+}$  is internally connected to  $V_{DDA}$  and  $V_{REF-}$  is internally connected to  $V_{SSA}$ .
- $R_{ADC}$  maximum value is given for  $V_{DD}=1.7$  V, and minimum value for  $V_{DD}=3.3$  V.
- For external triggers, a delay of  $1/f_{PCLK2}$  must be added to the latency specified in [Table 65](#).

**Equation 1: R<sub>AIN</sub> max formula**

$$R_{AIN} = \frac{(k - 0.5)}{f_{ADC} \times C_{ADC} \times \ln(2^{N+2})} - R_{ADC}$$

The formula above (*Equation 1*) is used to determine the maximum external impedance allowed for an error below 1/4 of LSB. N = 12 (from 12-bit resolution) and k is the number of sampling periods defined in the ADC\_SMPR1 register.

**Table 66. ADC accuracy at f<sub>ADC</sub> = 18 MHz<sup>(1)</sup>**

| Symbol | Parameter                    | Test conditions  | Typ | Max <sup>(2)</sup> | Unit |
|--------|------------------------------|--|-----|--------------------|------|
| ET     | Total unadjusted error       | f <sub>ADC</sub> = 18 MHz<br>V <sub>DDA</sub> = 1.7 to 3.6 V<br>V <sub>REF</sub> = 1.7 to 3.6 V<br>V <sub>DDA</sub> - V <sub>REF</sub> < 1.2 V | ±3  | ±4                 | LSB  |
| EO     | Offset error                 |  | ±2  | ±3                 |      |
| EG     | Gain error                   |  | ±1  | ±3                 |      |
| ED     | Differential linearity error |  | ±1  | ±2                 |      |
| EL     | Integral linearity error     |  | ±2  | ±3                 |      |

1. Better performance could be achieved in restricted V<sub>DD</sub>, frequency and temperature ranges.
2. Guaranteed by characterization results.

**Table 67. ADC accuracy at f<sub>ADC</sub> = 30 MHz<sup>(1)</sup>**

| Symbol | Parameter                    | Test conditions  | Typ  | Max <sup>(2)</sup> | Unit |
|--------|------------------------------|--|------|--------------------|------|
| ET     | Total unadjusted error       | f <sub>ADC</sub> = 30 MHz,<br>R <sub>AIN</sub> < 10 kΩ,<br>V <sub>DDA</sub> = 2.4 to 3.6 V,<br>V <sub>REF</sub> = 1.7 to 3.6 V,<br>V <sub>DDA</sub> - V <sub>REF</sub> < 1.2 V | ±2   | ±5                 | LSB  |
| EO     | Offset error                 |  | ±1.5 | ±2.5               |      |
| EG     | Gain error                   |  | ±1.5 | ±4                 |      |
| ED     | Differential linearity error |  | ±1   | ±2                 |      |
| EL     | Integral linearity error     |  | ±1.5 | ±3                 |      |

1. Better performance could be achieved in restricted V<sub>DD</sub>, frequency and temperature ranges.
2. Guaranteed by characterization results.

**Table 68. ADC accuracy at f<sub>ADC</sub> = 36 MHz<sup>(1)</sup>**

| Symbol | Parameter                    | Test conditions  | Typ | Max <sup>(2)</sup> | Unit |
|--------|------------------------------|--|-----|--------------------|------|
| ET     | Total unadjusted error       | f <sub>ADC</sub> = 36 MHz,<br>V <sub>DDA</sub> = 2.4 to 3.6 V,<br>V <sub>REF</sub> = 1.7 to 3.6 V<br>V <sub>DDA</sub> - V <sub>REF</sub> < 1.2 V | ±4  | ±7                 | LSB  |
| EO     | Offset error                 |  | ±2  | ±3                 |      |
| EG     | Gain error                   |  | ±3  | ±6                 |      |
| ED     | Differential linearity error |  | ±2  | ±3                 |      |
| EL     | Integral linearity error     |  | ±3  | ±6                 |      |

1. Better performance could be achieved in restricted V<sub>DD</sub>, frequency and temperature ranges.
2. Guaranteed by characterization results.

**Table 69. ADC dynamic accuracy at  $f_{ADC} = 18$  MHz - limited test conditions<sup>(1)</sup>**

| Symbol | Parameter                            | Test conditions   | Min  | Typ  | Max | Unit |
|--------|--------------------------------------|---|------|------|-----|------|
| ENOB   | Effective number of bits             | $f_{ADC} = 18$ MHz<br>$V_{DDA} = V_{REF+} = 1.7$ V<br>Input Frequency = 20 KHz<br>Temperature = 25 °C | 10.3 | 10.4 | -   | bits |
| SINAD  | Signal-to-noise and distortion ratio |   | 64   | 64.2 | -   | dB   |
| SNR    | Signal-to-noise ratio                |   | 64   | 65   | -   |      |
| THD    | Total harmonic distortion            |   | -    | -72  | -67 |      |

1. Guaranteed by characterization results.

**Table 70. ADC dynamic accuracy at  $f_{ADC} = 36$  MHz - limited test conditions<sup>(1)</sup>**

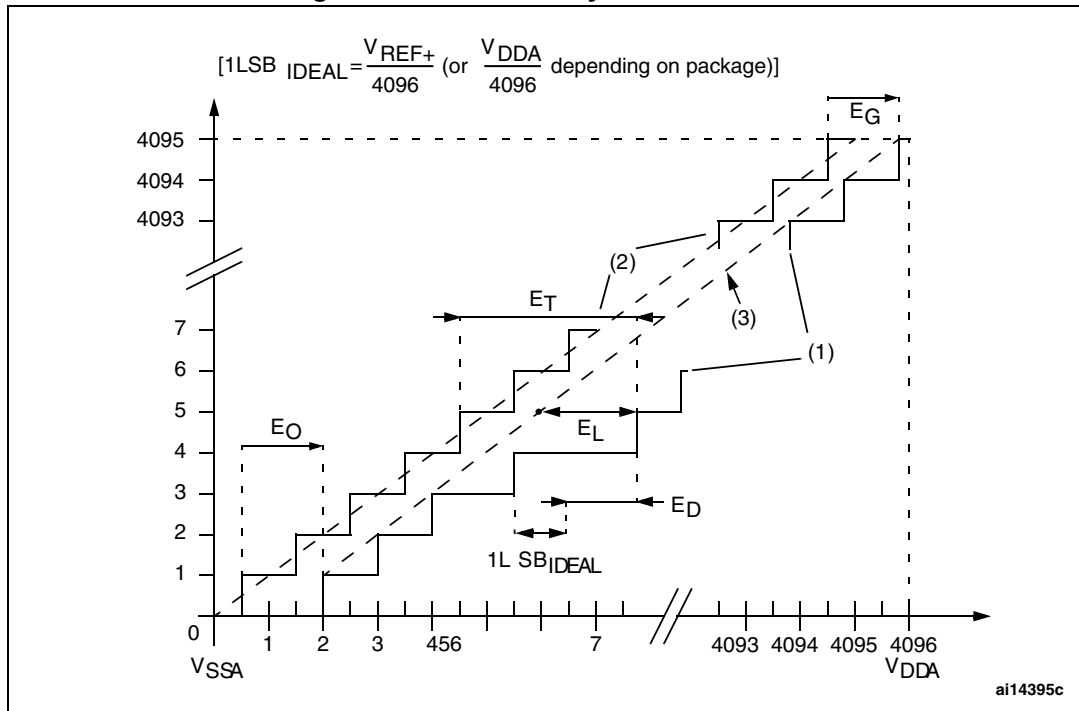
| Symbol | Parameter                            | Test conditions   | Min  | Typ  | Max | Unit |
|--------|--------------------------------------|---|------|------|-----|------|
| ENOB   | Effective number of bits             | $f_{ADC} = 36$ MHz<br>$V_{DDA} = V_{REF+} = 3.3$ V<br>Input Frequency = 20 KHz<br>Temperature = 25 °C | 10.6 | 10.8 | -   | bits |
| SINAD  | Signal-to noise and distortion ratio |   | 66   | 67   | -   | dB   |
| SNR    | Signal-to noise ratio                |   | 64   | 68   | -   |      |
| THD    | Total harmonic distortion            |   | -    | -72  | -70 |      |

1. Guaranteed by characterization results.

Note: ADC accuracy vs. negative injection current: injecting a negative current on any analog input pins should be avoided as this significantly reduces the accuracy of the conversion being performed on another analog input. It is recommended to add a Schottky diode (pin to ground) to analog pins which may potentially inject negative currents.

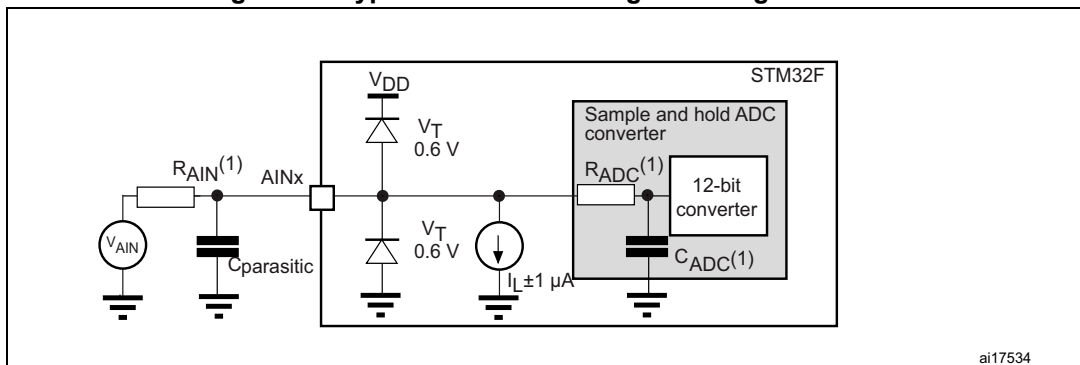
Any positive injection current within the limits specified for  $I_{INJ(PIN)}$  and  $\Sigma I_{INJ(PIN)}$  in [Section 6.3.16](#) does not affect the ADC accuracy.

Figure 40. ADC accuracy characteristics



1. See also [Table 67](#).
2. Example of an actual transfer curve.
3. Ideal transfer curve.
4. End point correlation line.
5.  $E_T$  = Total Unadjusted Error: maximum deviation between the actual and the ideal transfer curves.  
 $E_O$  = Offset Error: deviation between the first actual transition and the first ideal one.  
 $E_G$  = Gain Error: deviation between the last ideal transition and the last actual one.  
 $E_D$  = Differential Linearity Error: maximum deviation between actual steps and the ideal one.  
 $E_L$  = Integral Linearity Error: maximum deviation between any actual transition and the end point correlation line.

Figure 41. Typical connection diagram using the ADC

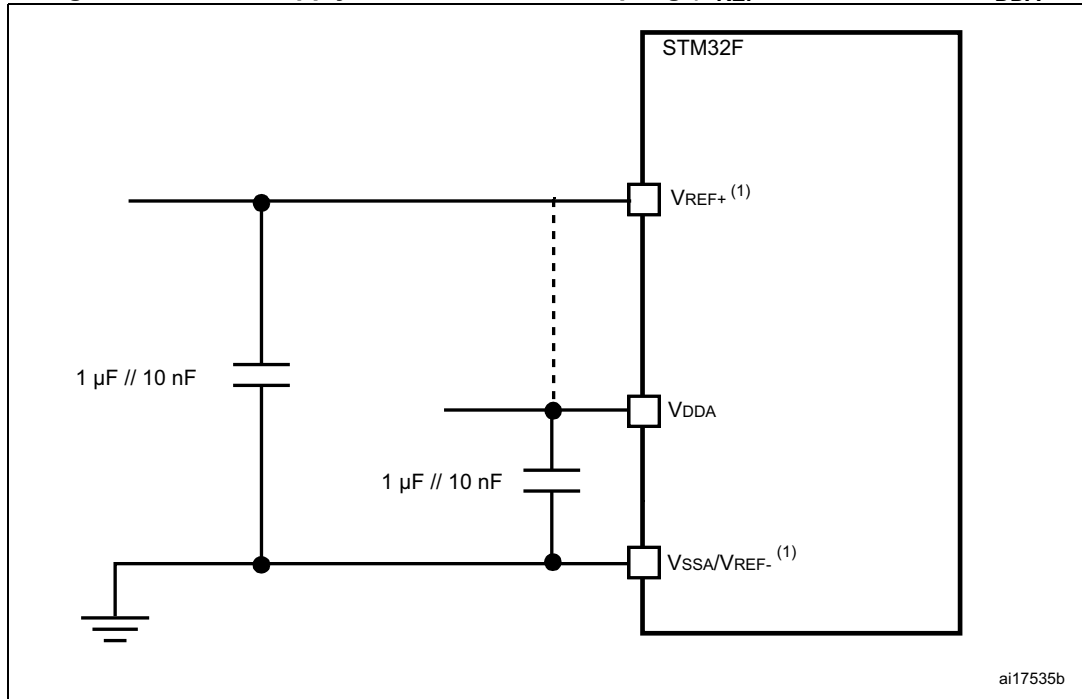


1. Refer to [Table 65](#) for the values of  $R_{AIN}$ ,  $R_{ADC}$  and  $C_{ADC}$ .
2.  $C_{parasitic}$  represents the capacitance of the PCB (dependent on soldering and PCB layout quality) plus the pad capacitance (roughly 5 pF). A high  $C_{parasitic}$  value downgrades conversion accuracy. To remedy this,  $f_{ADC}$  should be reduced.

### General PCB design guidelines

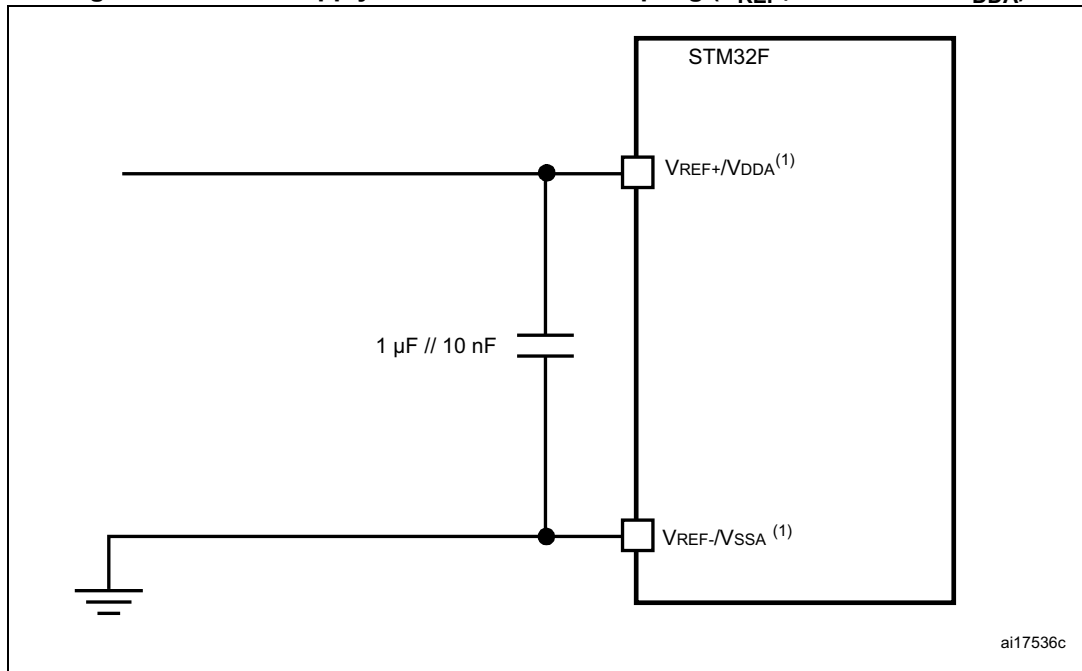
Power supply decoupling should be performed as shown in [Figure 42](#) or [Figure 43](#), depending on whether  $V_{REF+}$  is connected to  $V_{DDA}$  or not. The 10 nF capacitors should be ceramic (good quality). They should be placed as close as possible to the chip.

**Figure 42. Power supply and reference decoupling ( $V_{REF+}$  not connected to  $V_{DDA}$ )**



1.  $V_{REF+}$  and  $V_{REF-}$  inputs are both available on UFBGA100.  $V_{REF+}$  is also available on LQFP100. When  $V_{REF+}$  and  $V_{REF-}$  are not available, they are internally connected to  $V_{DDA}$  and  $V_{SSA}$ .

Figure 43. Power supply and reference decoupling ( $V_{REF+}$  connected to  $V_{DDA}$ )



1.  $V_{REF+}$  and  $V_{REF-}$  inputs are both available on UFBGA100.  $V_{REF+}$  is also available on LQFP100. When  $V_{REF+}$  and  $V_{REF-}$  are not available, they are internally connected to  $V_{DDA}$  and  $V_{SSA}$ .

### 6.3.21 Temperature sensor characteristics

Table 71. Temperature sensor characteristics

| Symbol                   | Parameter   | Min | Typ     | Max     | Unit            |
|--------------------------|---|-----|---------|---------|-----------------|
| $T_L^{(1)}$              | $V_{SENSE}$ linearity with temperature                                  | -   | $\pm 1$ | $\pm 2$ | $^{\circ}C$     |
| Avg_Slope <sup>(1)</sup> | Average slope   | -   | 2.5     | -       | mV/ $^{\circ}C$ |
| $V_{25}^{(1)}$           | Voltage at 25 $^{\circ}C$   | -   | 0.76    | -       | V               |
| $t_{START}^{(2)}$        | Startup time  | -   | 6       | 10      | $\mu s$         |
| $T_{S\_temp}^{(2)}$      | ADC sampling time when reading the temperature (1 $^{\circ}C$ accuracy) | 10  | -       | -       | $\mu s$         |

1. Guaranteed by characterization results.
2. Guaranteed by design.

Table 72. Temperature sensor calibration values

| Symbol  | Parameter  | Memory address            |
|---------|--|---------------------------|
| TS_CAL1 | TS ADC raw data acquired at temperature of 30 $^{\circ}C$ , $V_{DDA} = 3.3 V$  | 0x1FFF 7A2C - 0x1FFF 7A2D |
| TS_CAL2 | TS ADC raw data acquired at temperature of 110 $^{\circ}C$ , $V_{DDA} = 3.3 V$ | 0x1FFF 7A2E - 0x1FFF 7A2F |

### 6.3.22 $V_{BAT}$ monitoring characteristics

**Table 73.  $V_{BAT}$  monitoring characteristics**

| Symbol                 | Parameter   | Min | Typ | Max | Unit       |
|------------------------|---|-----|-----|-----|------------|
| R                      | Resistor bridge for $V_{BAT}$                                 | -   | 50  | -   | K $\Omega$ |
| Q                      | Ratio on $V_{BAT}$ measurement                                | -   | 4   | -   |            |
| $E_r^{(1)}$            | Error on Q  | -1  | -   | +1  | %          |
| $T_{S\_vbat}^{(2)(2)}$ | ADC sampling time when reading the $V_{BAT}$<br>1 mV accuracy | 5   | -   | -   | $\mu$ s    |

1. Guaranteed by design.
2. Shortest sampling time can be determined in the application by multiple iterations.

### 6.3.23 Embedded reference voltage

The parameters given in [Table 74](#) are derived from tests performed under ambient temperature and  $V_{DD}$  supply voltage conditions summarized in [Table 14](#).

**Table 74. Embedded internal reference voltage**

| Symbol                 | Parameter   | Conditions   | Min  | Typ  | Max  | Unit                  |
|------------------------|---|--|------|------|------|-----------------------|
| $V_{REFINT}$           | Internal reference voltage                                    | $-40\text{ }^\circ\text{C} < T_A < +125\text{ }^\circ\text{C}$ | 1.18 | 1.21 | 1.24 | V                     |
| $T_{S\_vrefint}^{(1)}$ | ADC sampling time when reading the internal reference voltage | -  | 10   | -    | -    | $\mu$ s               |
| $V_{RERINT\_s}^{(2)}$  | Internal reference voltage spread over the temperature range  | $V_{DD} = 3V \pm 10\text{mV}$                                  | -    | 3    | 5    | mV                    |
| $T_{Ccoeff}^{(2)}$     | Temperature coefficient                                       | -  | -    | 30   | 50   | ppm/ $^\circ\text{C}$ |
| $t_{START}^{(2)}$      | Startup time  | -  | -    | 6    | 10   | $\mu$ s               |

1. Shortest sampling time can be determined in the application by multiple iterations.
2. Guaranteed by design.

**Table 75. Internal reference voltage calibration values**

| Symbol           | Parameter   | Memory address            |
|------------------|---|---------------------------|
| $V_{REFIN\_CAL}$ | Raw data acquired at temperature of $30\text{ }^\circ\text{C}$ $V_{DDA} = 3.3\text{ V}$ | 0x1FFF 7A2A - 0x1FFF 7A2B |



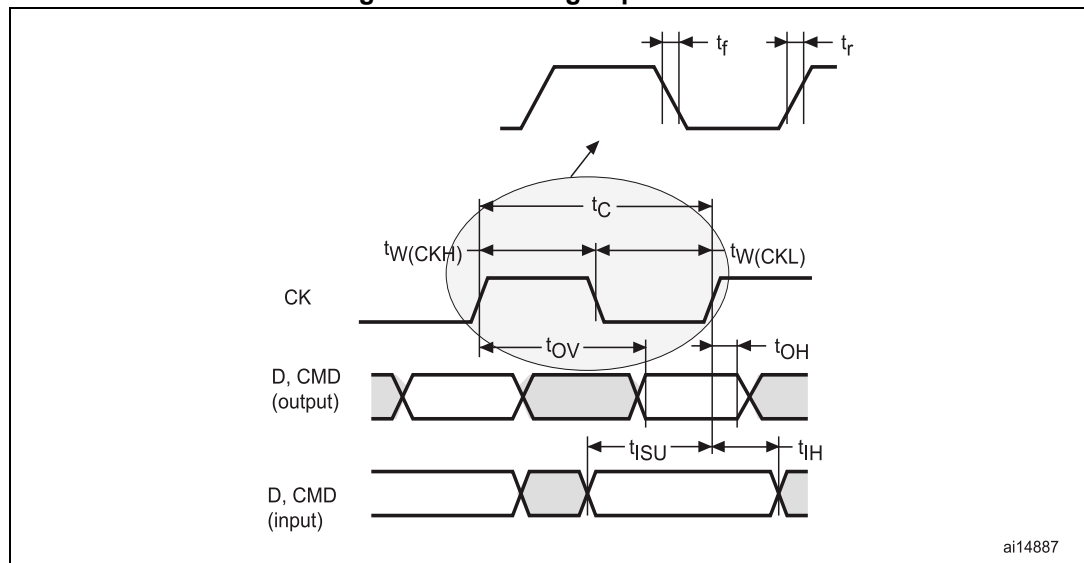
**6.3.24 SD/SDIO MMC/eMMC card host interface (SDIO) characteristics**

Unless otherwise specified, the parameters given in [Table 76](#) for the SDIO/MMC/eMMC interface are derived from tests performed under the ambient temperature,  $f_{PCLK2}$  frequency and  $V_{DD}$  supply voltage conditions summarized in [Table 14](#), with the following configuration:

- Output speed is set to OSPEEDRy[1:0] = 10
- Capacitive load C = 30 pF (for eMMC C = 20 pF)
- Measurement points are done at CMOS levels:  $0.5V_{DD}$

Refer to [Section 6.3.16: I/O port characteristics](#) for more details on the input/output characteristics.

**Figure 44. SDIO high-speed mode**



**Figure 45. SD default mode**

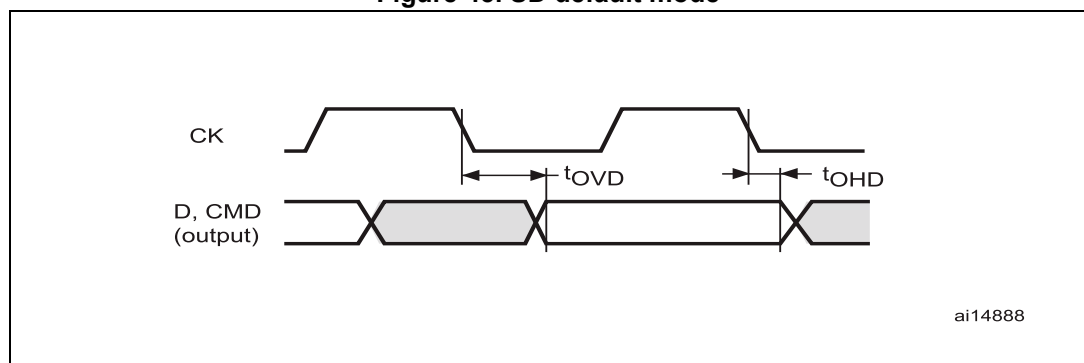


Table 76. Dynamic characteristics: SD / MMC characteristics<sup>(1)(2)</sup>

| Symbol   | Parameter                             | Conditions   | Min  | Typ | Max | Unit |
|--|---------------------------------------|--|------|-----|-----|------|
| $f_{PP}$   | Clock frequency in data transfer mode | -  | 0    | -   | 50  | MHz  |
| -  | SDIO_CK/fPCLK2 frequency ratio        | -  | -    | -   | 8/3 | -    |
| $t_{W(CKL)}$   | Clock low time                        | $f_{pp} = 50 \text{ MHz}$  | 10.5 | 11  | -   | ns   |
| $t_{W(CKH)}$   | Clock high time                       | $f_{pp} = 50 \text{ MHz}$  | 8.5  | 9   | -   |      |
| <b>CMD, D inputs (referenced to CK) in MMC and SD HS mode</b>  |                                       |  |      |     |     |      |
| $t_{ISU}$  | Input setup time HS                   | $f_{pp} = 50 \text{ MHz}$  | 2.5  | -   | -   | ns   |
| $t_{IH}$   | Input hold time HS                    | $f_{pp} = 50 \text{ MHz}$<br>$-40^{\circ}\text{C} < T_A < 125^{\circ}\text{C}$ | 5    | -   | -   |      |
|  |                                       | $f_{pp} = 50 \text{ MHz}$<br>$-40^{\circ}\text{C} < T_A < +85^{\circ}\text{C}$ | 2.5  | -   | -   |      |
| <b>CMD, D outputs (referenced to CK) in MMC and SD HS mode</b> |                                       |  |      |     |     |      |
| $t_{OV}$   | Output valid time HS                  | $f_{pp} = 50 \text{ MHz}$  | -    | 3.5 | 4   | ns   |
| $t_{OH}$   | Output hold time HS                   | $f_{pp} = 50 \text{ MHz}$  | 2    | -   | -   |      |
| <b>CMD, D inputs (referenced to CK) in SD default mode</b>     |                                       |  |      |     |     |      |
| $t_{ISUD}$   | Input setup time SD                   | $f_{pp} = 25 \text{ MHz}$  | 3    | -   | -   | ns   |
| $t_{IHD}$  | Input hold time SD                    | $f_{pp} = 25 \text{ MHz}$  | 4    | -   | -   |      |
| <b>CMD, D outputs (referenced to CK) in SD default mode</b>    |                                       |  |      |     |     |      |
| $t_{OVD}$  | Output valid default time SD          | $f_{pp} = 25 \text{ MHz}$  | -    | 5   | 5.5 | ns   |
| $t_{OHD}$  | Output hold default time SD           | $f_{pp} = 25 \text{ MHz}$  | 4.5  | -   | -   |      |

1. Guaranteed by characterization results.

2.  $V_{DD} = 2.7$  to  $3.6 \text{ V}$ .

6.3.25 RTC characteristics

Table 77. Dynamic characteristics: eMMC characteristics  $V_{DD} = 1.7\text{ V to }1.9\text{ V}^{(1)(2)}$

| Symbol  | Parameter                             | Conditions               | Min | Typ  | Max | Unit |
|---|---------------------------------------|--------------------------|-----|------|-----|------|
| $f_{PP}$  | Clock frequency in data transfer mode | -                        | 0   | -    | 50  | MHz  |
| -   | SDIO_CK/fPCLK2 frequency ratio        | -                        | -   | -    | 8/3 | -    |
| $t_{W(CKL)}$  | Clock low time                        | $f_{pp} = 50\text{ MHz}$ | 10  | 10.5 | -   | ns   |
| $t_{W(CKH)}$  | Clock high time                       | $f_{pp} = 50\text{ MHz}$ | 9   | 9.5  | -   |      |
| <b>CMD, D inputs (referenced to CK) in eMMC mode</b>  |                                       |                          |     |      |     |      |
| $t_{ISU}$   | Input setup time HS                   | $f_{pp} = 50\text{ MHz}$ | 0   | -    | -   | ns   |
| $t_{IH}$  | Input hold time HS                    | $f_{pp} = 50\text{ MHz}$ | 6   | -    | -   |      |
| <b>CMD, D outputs (referenced to CK) in eMMC mode</b> |                                       |                          |     |      |     |      |
| $t_{OV}$  | Output valid time HS                  | $f_{pp} = 50\text{ MHz}$ | -   | 3.5  | 5   | ns   |
| $t_{OH}$  | Output hold time HS                   | $f_{pp} = 50\text{ MHz}$ | 2   | -    | -   |      |

1. Guaranteed by characterization results.
2.  $C_{load} = 20\text{ pF}$

Table 78. RTC characteristics

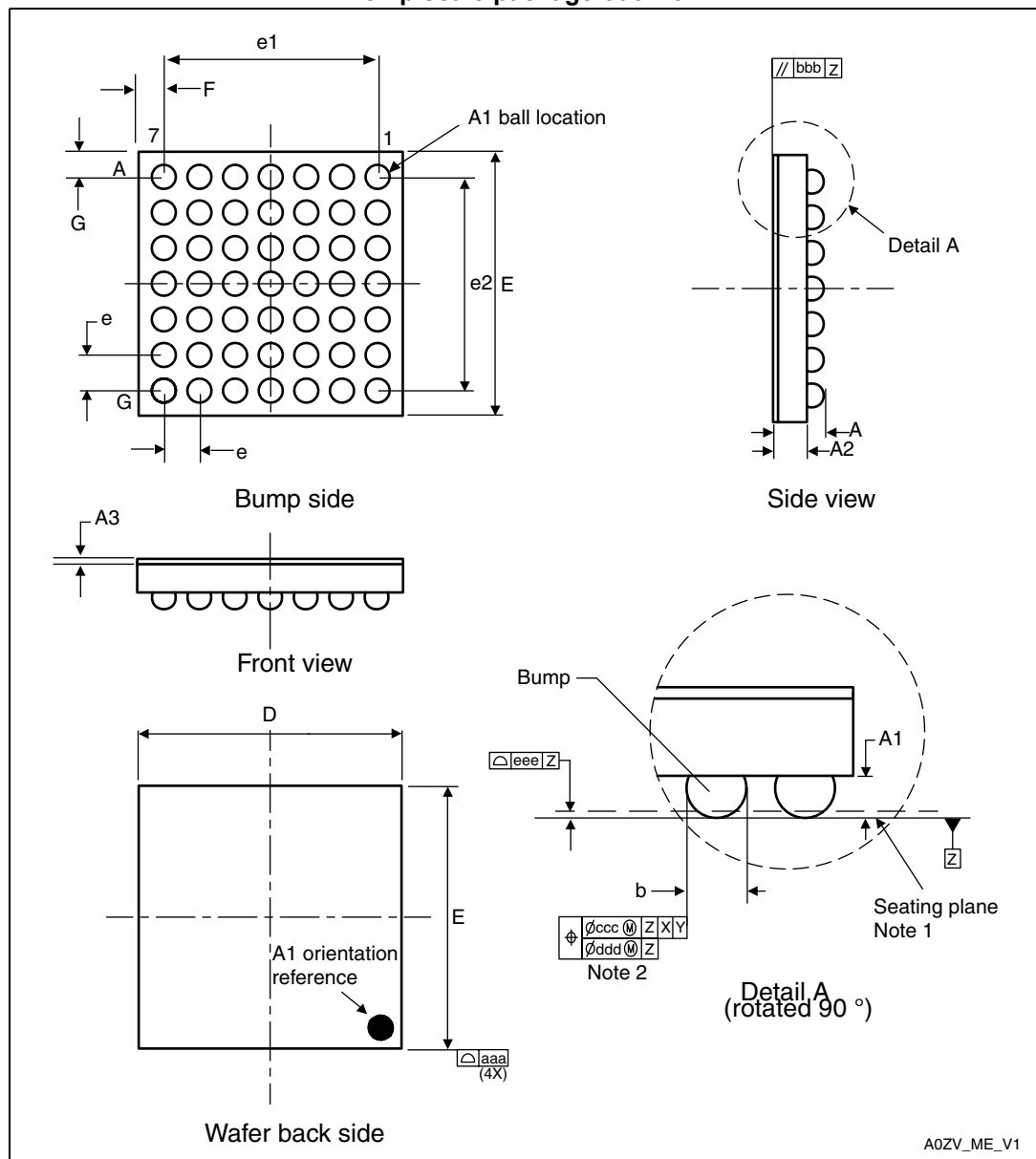
| Symbol | Parameter                          | Conditions                                       | Min | Max |
|--------|------------------------------------|--|-----|-----|
| -      | $f_{PCLK1}/RTCCLK$ frequency ratio | Any read/write operation from/to an RTC register | 4   | -   |

# 7 Package information

In order to meet environmental requirements, ST offers these devices in different grades of ECOPACK® packages, depending on their level of environmental compliance. ECOPACK® specifications, grade definitions and product status are available at: [www.st.com](http://www.st.com). ECOPACK® is an ST trademark.

## 7.1 WLCSP49 package information

Figure 46. WLCSP49 - 49-ball, 2.999 x 3.185 mm, 0.4 mm pitch wafer level chip scale package outline



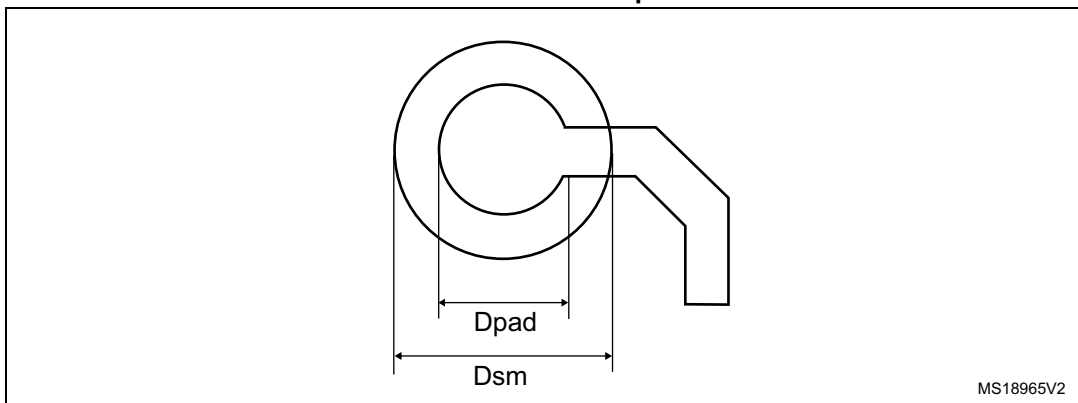
1. Drawing is not to scale.

**Table 79. WLCSP49 - 49-ball, 2.999 x 3.185 mm, 0.4 mm pitch wafer level chip scale package mechanical data**

| Symbol            | millimeters |        |       | inches <sup>(1)</sup> |        |        |
|-------------------|-------------|--------|-------|-----------------------|--------|--------|
|                   | Min         | Typ    | Max   | Min                   | Typ    | Max    |
| A                 | 0.525       | 0.555  | 0.585 | 0.0207                | 0.0219 | 0.0230 |
| A1                | -           | 0.175  | -     | -                     | 0.0069 | -      |
| A2                | -           | 0.380  | -     | -                     | 0.0150 | -      |
| A3 <sup>(2)</sup> | -           | 0.025  | -     | -                     | 0.0010 | -      |
| b <sup>(3)</sup>  | 0.220       | 0.250  | 0.280 | 0.0087                | 0.0098 | 0.0110 |
| D                 | 2.964       | 2.999  | 3.034 | 0.1167                | 0.1181 | 0.1194 |
| E                 | 3.150       | 3.185  | 3.220 | 0.1240                | 0.1254 | 0.1268 |
| e                 | -           | 0.400  | -     | -                     | 0.0157 | -      |
| e1                | -           | 2.400  | -     | -                     | 0.0945 | -      |
| e2                | -           | 2.400  | -     | -                     | 0.0945 | -      |
| F                 | -           | 0.2995 | -     | -                     | 0.0118 | -      |
| G                 | -           | 0.3925 | -     | -                     | 0.0155 | -      |
| aaa               | -           | 0.100  | -     | -                     | 0.0039 | -      |
| bbb               | -           | 0.100  | -     | -                     | 0.0039 | -      |
| ccc               | -           | 0.100  | -     | -                     | 0.0039 | -      |
| ddd               | -           | 0.050  | -     | -                     | 0.0020 | -      |
| eee               | -           | 0.050  | -     | -                     | 0.0020 | -      |

1. Values in inches are converted from mm and rounded to 4 decimal digits.
2. Back side coating
3. Dimension is measured at the maximum bump diameter parallel to primary datum Z.

**Figure 47. WLCSP49 - 49-ball, 2.999 x 3.185 mm, 0.4 mm pitch wafer level chip scale recommended footprint**



**Table 80. WLCSP49 recommended PCB design rules (0.4 mm pitch)**

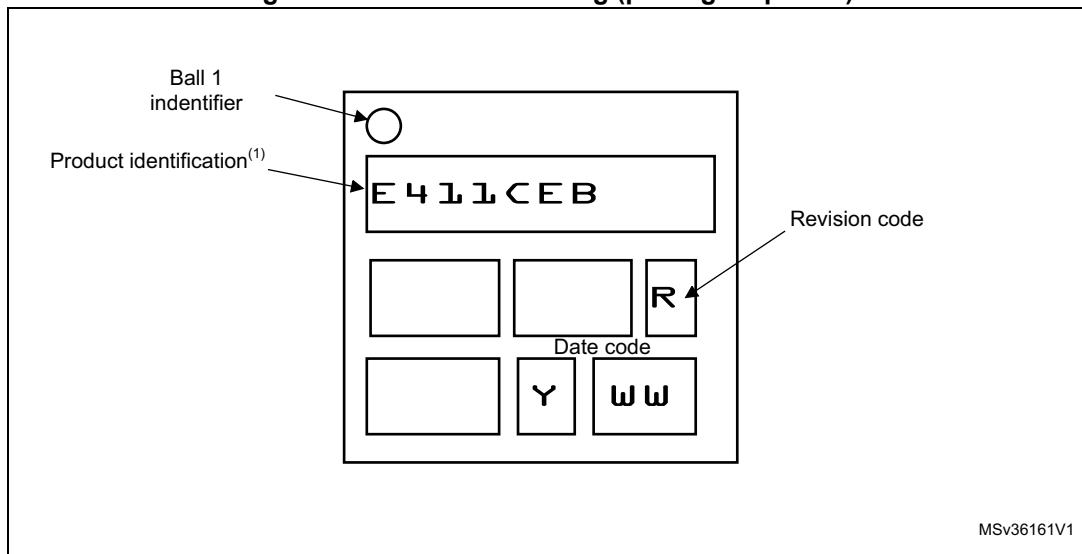
| Dimension      | Recommended values                            |
|----------------|---|
| Pitch          | 0.4 mm  |
| Dpad           | 260 µm max. (circular)<br>220 µm recommended  |
| Dsm            | 300 µm min. (for 260 µm diameter pad)         |
| PCB pad design | Non-solder mask defined via underbump allowed |

**Device marking for WLCSP49**

The following figure gives an example of topside marking orientation versus ball A1 identifier location.

Other optional marking or inset/upset marks, which depend on supply chain operations, are not indicated below.

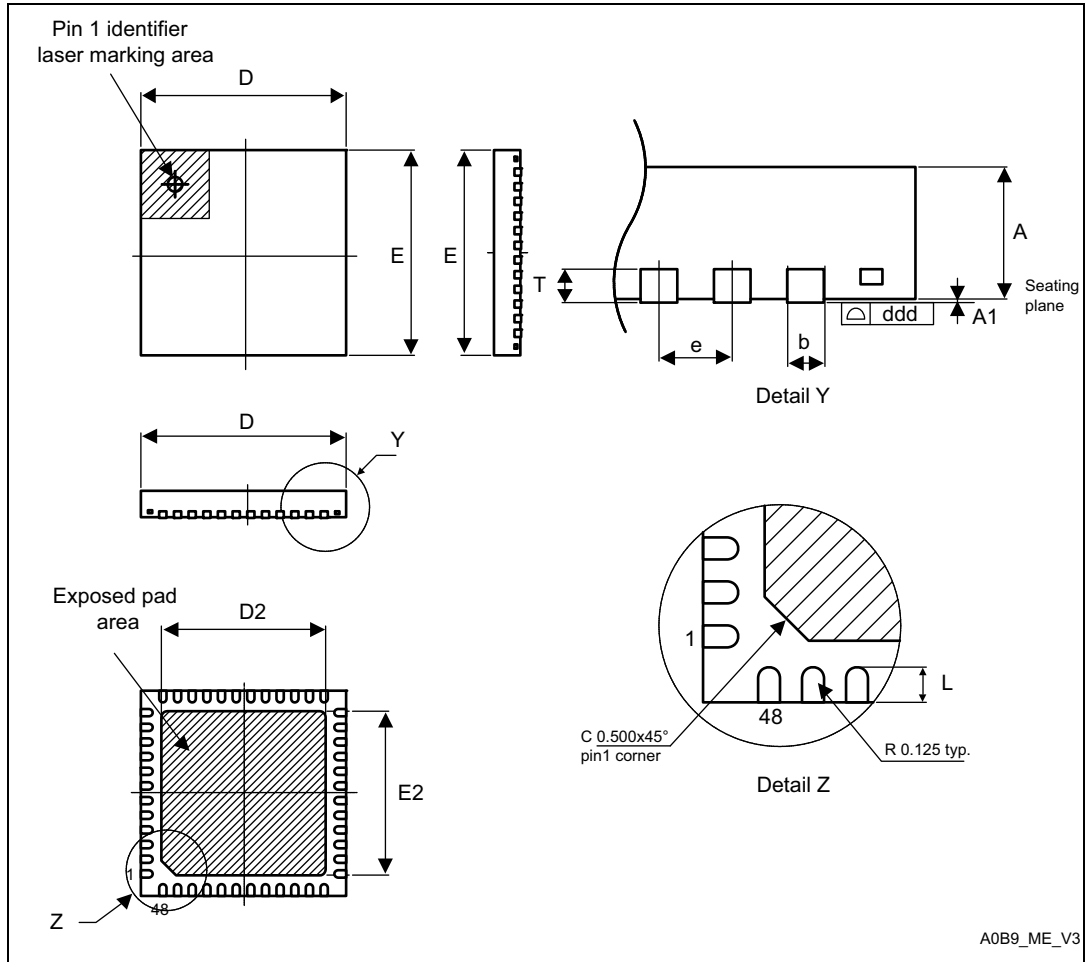
**Figure 48. WLCSP49 marking (package top view)**



1. Parts marked as ES or E or accompanied by an Engineering Sample notification letter are not yet qualified and therefore not approved for use in production. ST is not responsible for any consequences resulting from such use. In no event will ST be liable for the customer using any of these engineering samples in production. ST's Quality department must be contacted prior to any decision to use these engineering samples to run a qualification activity.

## 7.2 UFQFPN48 package information

Figure 49. UFQFPN48 - 48-lead, 7 x 7 mm, 0.5 mm pitch, ultra thin fine pitch quad flat package outline



1. Drawing is not to scale.
2. All leads/pads should also be soldered to the PCB to improve the lead/pad solder joint life.
3. There is an exposed die pad on the underside of the UFQFPN package. It is recommended to connect and solder this back-side pad to PCB ground.

Table 81. UFQFPN48 - 48-lead, 7 x 7 mm, 0.5 mm pitch, ultra thin fine pitch quad flat package mechanical data

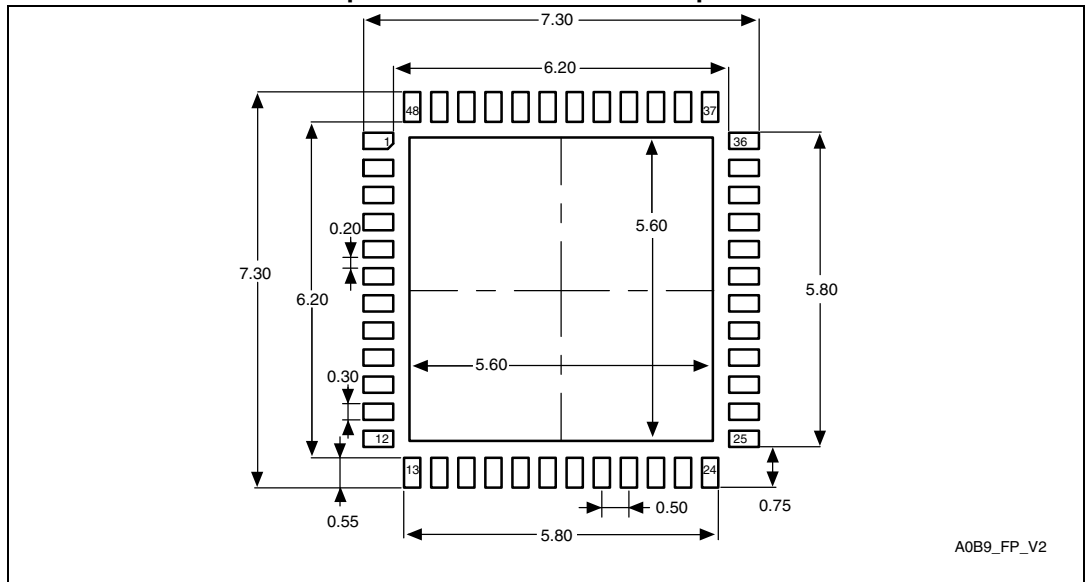
| Symbol | millimeters |       |       | inches <sup>(1)</sup> |        |        |
|--------|-------------|-------|-------|-----------------------|--------|--------|
|        | Min.        | Typ.  | Max.  | Min.                  | Typ.   | Max.   |
| A      | 0.500       | 0.550 | 0.600 | 0.0197                | 0.0217 | 0.0236 |
| A1     | 0.000       | 0.020 | 0.050 | 0.0000                | 0.0008 | 0.0020 |
| D      | 6.900       | 7.000 | 7.100 | 0.2717                | 0.2756 | 0.2795 |
| E      | 6.900       | 7.000 | 7.100 | 0.2717                | 0.2756 | 0.2795 |
| D2     | 5.500       | 5.600 | 5.700 | 0.2165                | 0.2205 | 0.2244 |

**Table 81. UFQFPN48 - 48-lead, 7 x 7 mm, 0.5 mm pitch, ultra thin fine pitch quad flat package mechanical data (continued)**

| Symbol | millimeters |       |       | inches <sup>(1)</sup> |        |        |
|--------|-------------|-------|-------|-----------------------|--------|--------|
|        | Min.        | Typ.  | Max.  | Min.                  | Typ.   | Max.   |
| E2     | 5.500       | 5.600 | 5.700 | 0.2165                | 0.2205 | 0.2244 |
| L      | 0.300       | 0.400 | 0.500 | 0.0118                | 0.0157 | 0.0197 |
| T      | -           | 0.152 | -     | -                     | 0.0060 | -      |
| b      | 0.200       | 0.250 | 0.300 | 0.0079                | 0.0098 | 0.0118 |
| e      | -           | 0.500 | -     | -                     | 0.0197 | -      |
| ddd    | -           | -     | 0.080 | -                     | -      | 0.0031 |

1. Values in inches are converted from mm and rounded to 4 decimal digits.

**Figure 50. UFQFPN48 - 48-lead, 7 x 7 mm, 0.5 mm pitch, ultra thin fine pitch quad flat recommended footprint**



1. Dimensions are in millimeters.

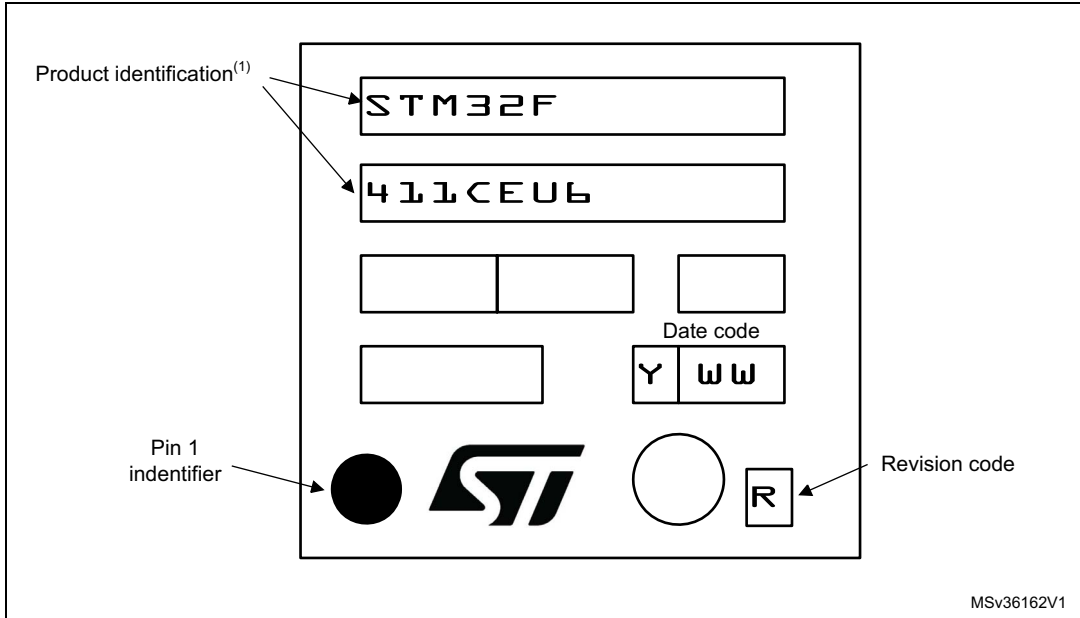


### Device marking for UFQFPN48

The following figure gives an example of topside marking orientation versus pin 1 identifier location.

Other optional marking or inset/upset marks, which depend on supply chain operations, are not indicated below.

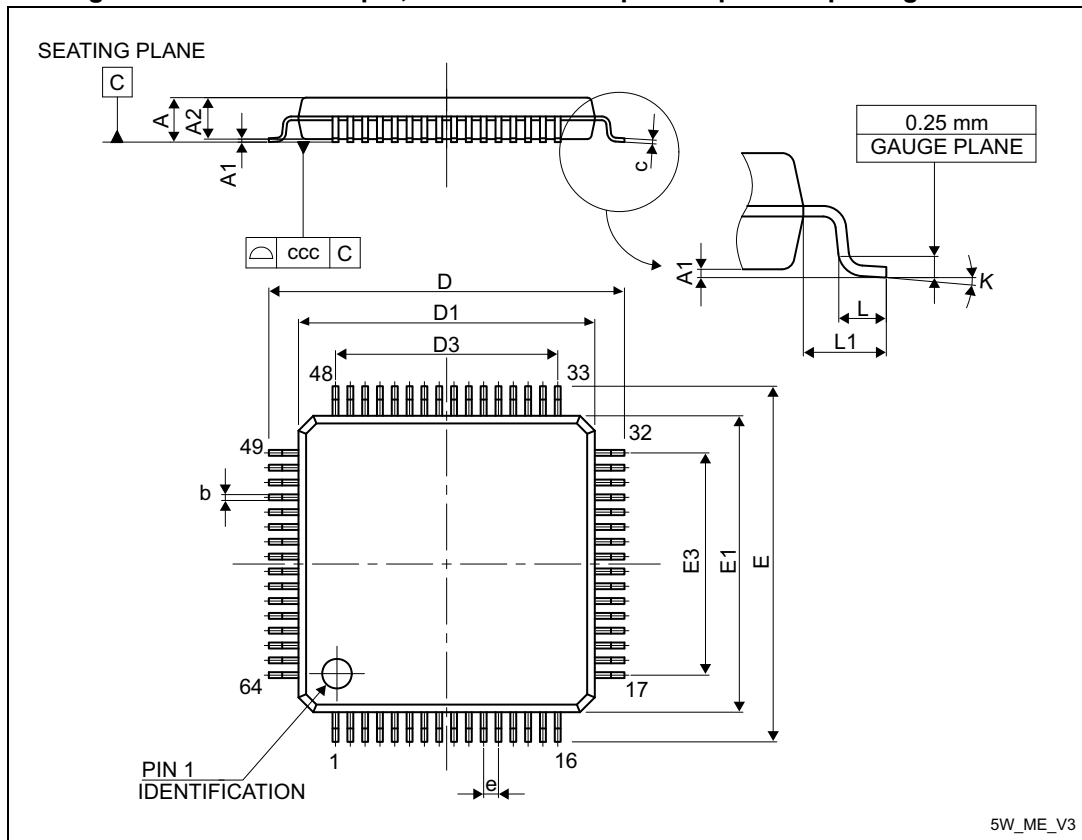
Figure 51. UFQFPN48 marking example (package top view)



1. Parts marked as ES or E or accompanied by an Engineering Sample notification letter are not yet qualified and therefore not approved for use in production. ST is not responsible for any consequences resulting from such use. In no event will ST be liable for the customer using any of these engineering samples in production. ST's Quality department must be contacted prior to any decision to use these engineering samples to run a qualification activity.

### 7.3 LQFP64 package information

Figure 52. LQFP64 - 64-pin, 10 x 10 mm low-profile quad flat package outline



1. Drawing is not to scale.

Table 82. LQFP64 - 64-pin, 10 x 10 mm low-profile quad flat package mechanical data

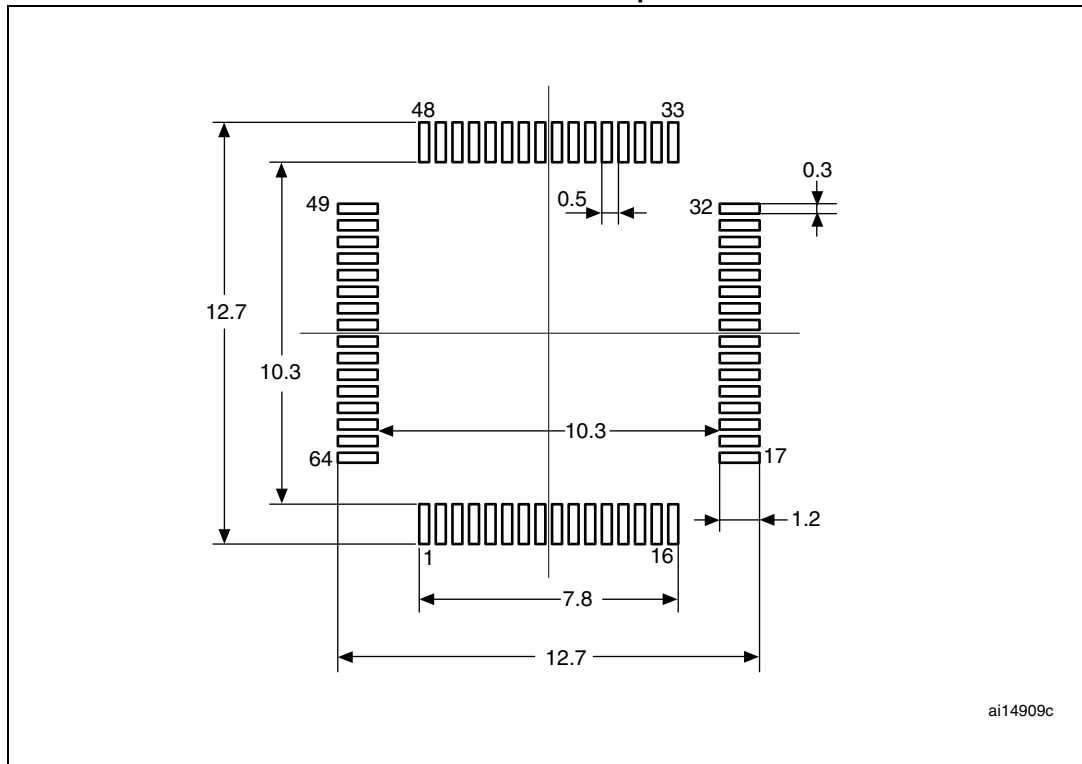
| Symbol | millimeters |        |       | inches <sup>(1)</sup> |        |        |
|--------|-------------|--------|-------|-----------------------|--------|--------|
|        | Min         | Typ    | Max   | Min                   | Typ    | Max    |
| A      | -           | -      | 1.600 | -                     | -      | 0.0630 |
| A1     | 0.050       | -      | 0.150 | 0.0020                | -      | 0.0059 |
| A2     | 1.350       | 1.400  | 1.450 | 0.0531                | 0.0551 | 0.0571 |
| b      | 0.170       | 0.220  | 0.270 | 0.0067                | 0.0087 | 0.0106 |
| c      | 0.090       | -      | 0.200 | 0.0035                | -      | 0.0079 |
| D      | -           | 12.000 | -     | -                     | 0.4724 | -      |
| D1     | -           | 10.000 | -     | -                     | 0.3937 | -      |
| D3     | -           | 7.500  | -     | -                     | 0.2953 | -      |
| E      | -           | 12.000 | -     | -                     | 0.4724 | -      |
| E1     | -           | 10.000 | -     | -                     | 0.3937 | -      |

Table 82. LQFP64 - 64-pin, 10 x 10 mm low-profile quad flat package mechanical data (continued)

| Symbol | millimeters |       |       | inches <sup>(1)</sup> |        |        |
|--------|-------------|-------|-------|-----------------------|--------|--------|
|        | Min         | Typ   | Max   | Min                   | Typ    | Max    |
| E3     | -           | 7.500 | -     | -                     | 0.2953 | -      |
| e      | -           | 0.500 | -     | -                     | 0.0197 | -      |
| K      | 0°          | 3.5°  | 7°    | 0°                    | 3.5°   | 7°     |
| L      | 0.450       | 0.600 | 0.750 | 0.0177                | 0.0236 | 0.0295 |
| L1     | -           | 1.000 | -     | -                     | 0.0394 | -      |
| ccc    | -           | -     | 0.080 | -                     | -      | 0.0031 |

1. Values in inches are converted from mm and rounded to 4 decimal digits.

Figure 53. LQFP64 - 64-pin, 10 x 10 mm low-profile quad flat package recommended footprint



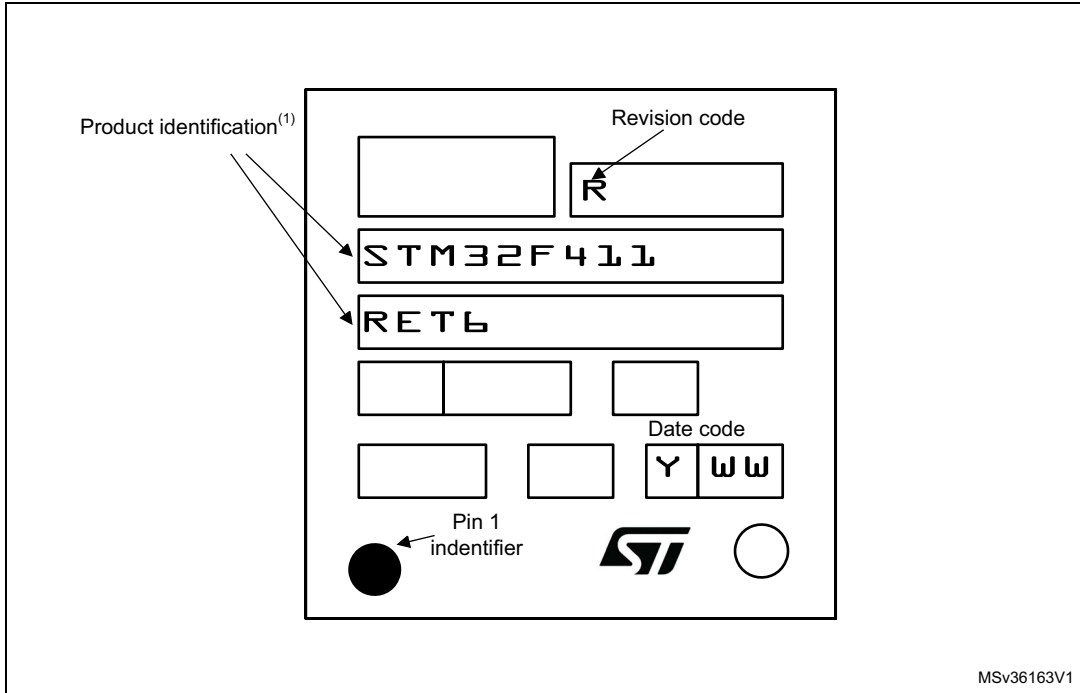
1. Dimensions are expressed in millimeters.

**Device marking for LQFP64**

The following figure gives an example of topside marking orientation versus pin 1 identifier location.

Other optional marking or inset/upset marks, which depend on supply chain operations, are not indicated below.

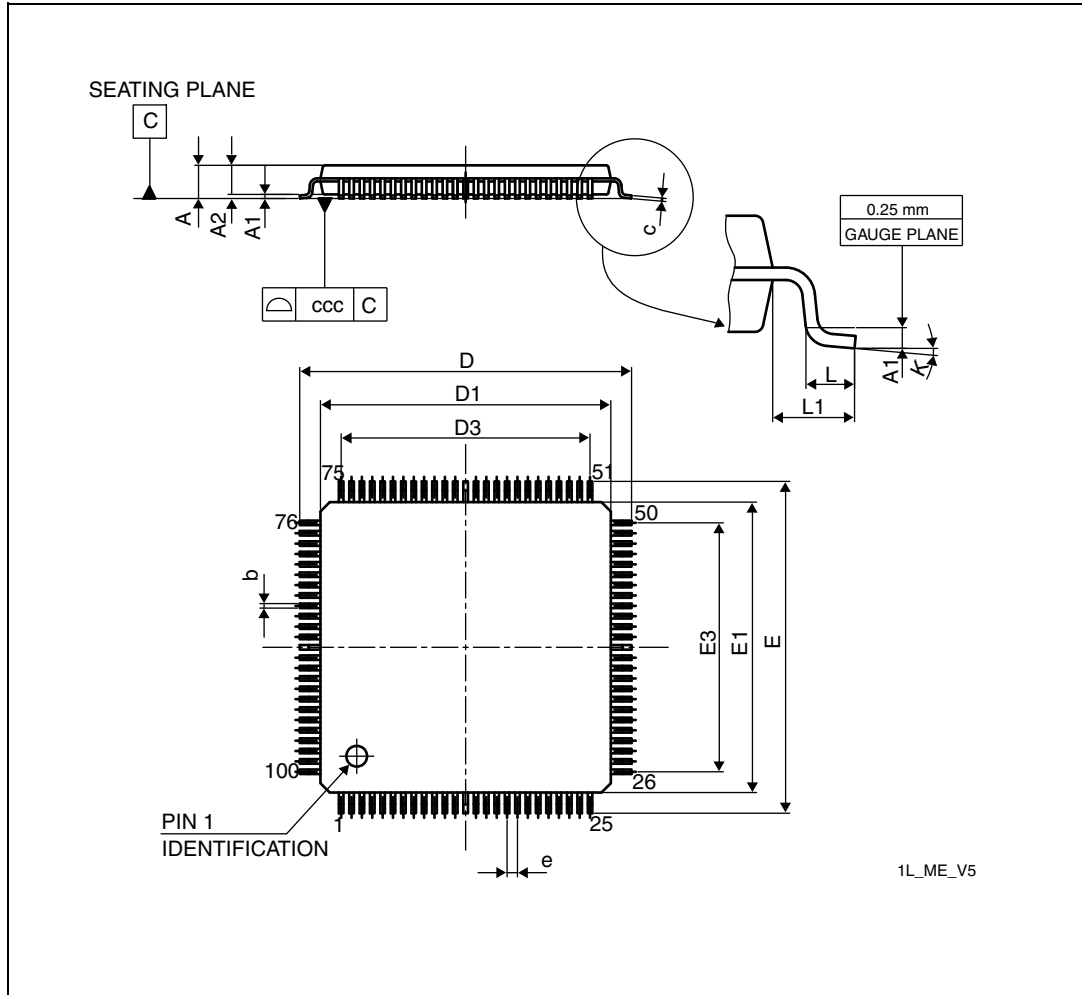
**Figure 54. LQFP64 marking example (package top view)**



1. Parts marked as ES or E or accompanied by an Engineering Sample notification letter are not yet qualified and therefore not approved for use in production. ST is not responsible for any consequences resulting from such use. In no event will ST be liable for the customer using any of these engineering samples in production. ST's Quality department must be contacted prior to any decision to use these engineering samples to run a qualification activity.

### 7.4 LQFP100 package information

Figure 55. LQFP100 - 100-pin, 14 x 14 mm, 100-pin low-profile quad flat package outline



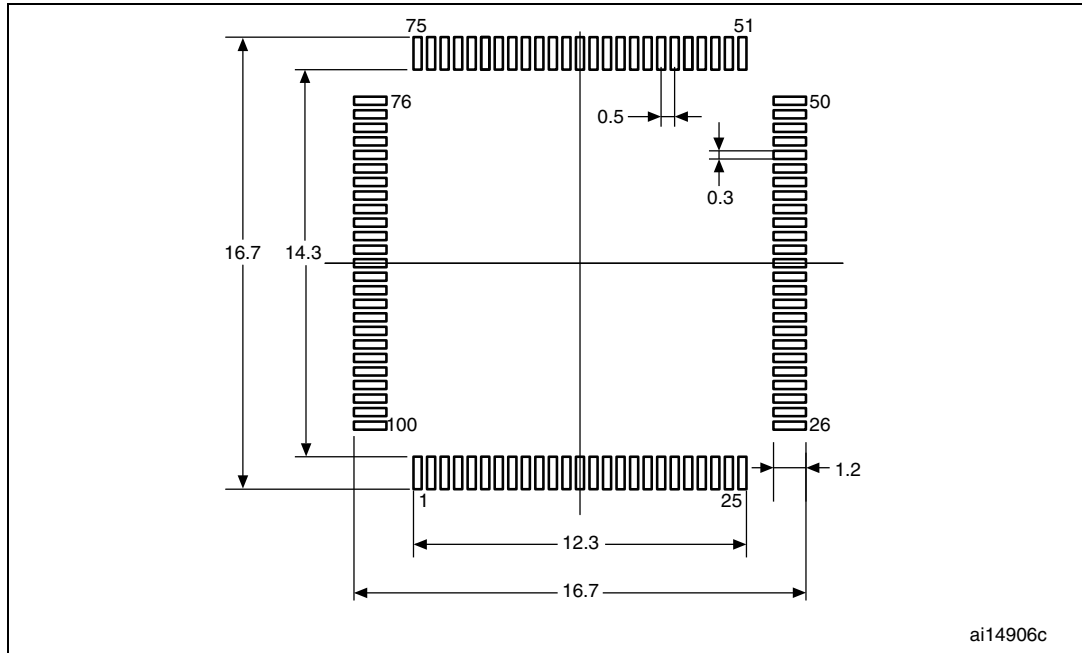
1. Drawing is not to scale.

Table 83. LQPF100 - 100-pin, 14 x 14 mm, 100-pin low-profile quad flat package mechanical data

| Symbol | millimeters |        |        | inches <sup>(1)</sup> |        |        |
|--------|-------------|--------|--------|-----------------------|--------|--------|
|        | Min.        | Typ.   | Max.   | Min.                  | Typ.   | Max.   |
| A      | -           | -      | 1.60   | -                     | -      | 0.063  |
| A1     | 0.050       | -      | 0.150  | 0.002                 | -      | 0.0059 |
| A2     | 1.350       | 1.40   | 1.450  | 0.0531                | 0.0551 | 0.0571 |
| b      | 0.170       | 0.220  | 0.270  | 0.0067                | 0.0087 | 0.0106 |
| c      | 0.090       | -      | 0.200  | 0.0035                | -      | 0.0079 |
| D      | 15.800      | 16.000 | 16.200 | 0.622                 | 0.6299 | 0.6378 |
| D1     | 13.800      | 14.000 | 14.200 | 0.5433                | 0.5512 | 0.5591 |
| D3     | -           | 12.000 | -      | -                     | 0.4724 | -      |
| E      | 15.800      | 16.000 | 16.200 | 0.622                 | 0.6299 | 0.6378 |
| E1     | 13.800      | 14.000 | 14.200 | 0.5433                | 0.5512 | 0.5591 |
| E3     | -           | 12.000 | -      | -                     | 0.4724 | -      |
| e      | -           | 0.500  | -      | -                     | 0.0197 | -      |
| L      | 0.450       | 0.600  | 0.750  | 0.0177                | 0.0236 | 0.0295 |
| L1     | -           | 1.000  | -      | -                     | 0.0394 | -      |
| K      | 0.0°        | 3.5°   | 7.0°   | 0.0°                  | 3.5°   | 7.0°   |
| ccc    | 0.080       |        |        | 0.0031                |        |        |

1. Values in inches are converted from mm and rounded to 4 decimal digits.

Figure 56. LQFP100 - 100-pin, 14 x 14 mm, 100-pin low-profile quad flat recommended footprint



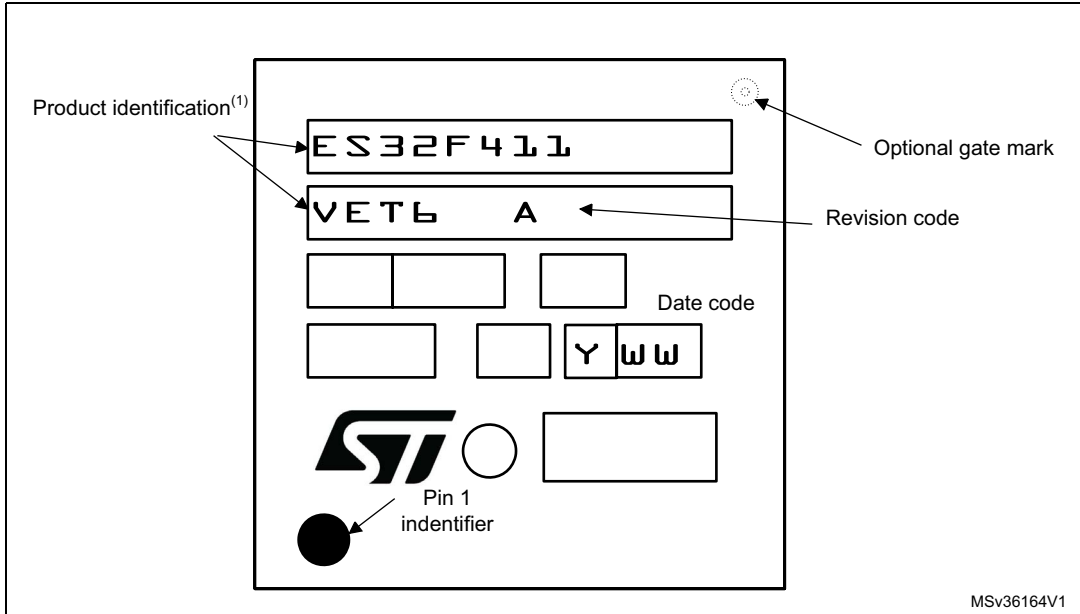
1. Dimensions are in millimeters.

### Device marking for LQFP100

The following figure gives an example of topside marking orientation versus pin 1 identifier location.

Other optional marking or inset/upset marks, which depend on supply chain operations, are not indicated below.

Figure 57. LQFP100 marking example (package top view)

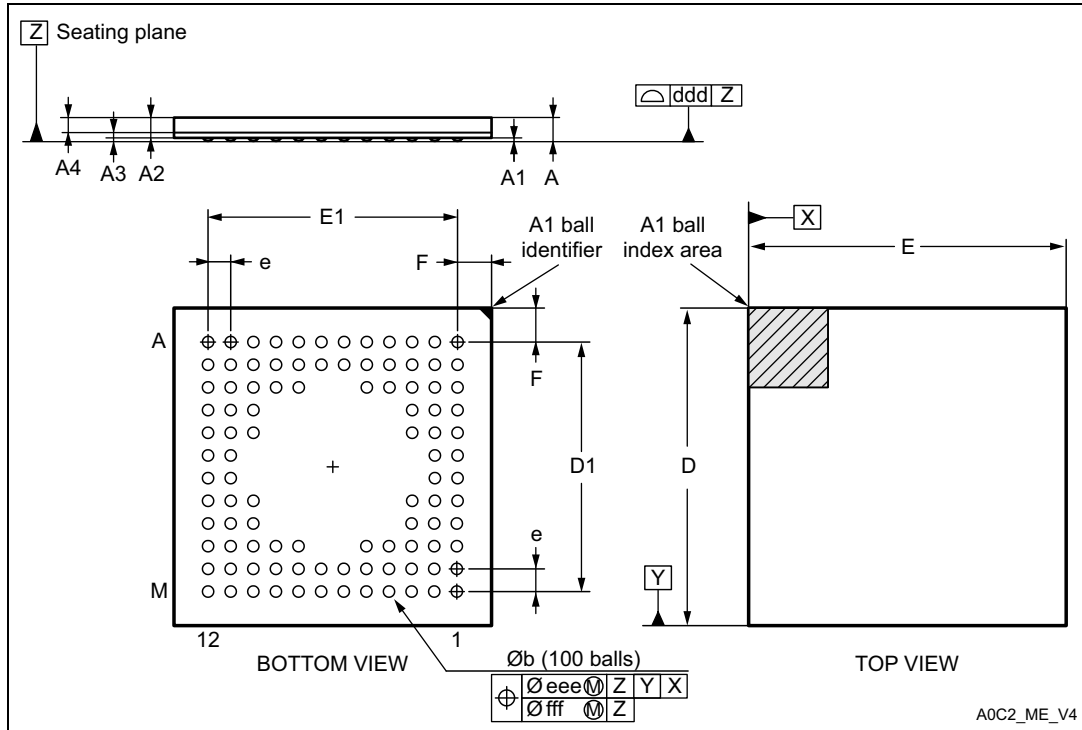


1. Parts marked as ES or E or accompanied by an Engineering Sample notification letter are not yet qualified and therefore not approved for use in production. ST is not responsible for any consequences resulting from such use. In no event will ST be liable for the customer using any of these engineering samples in production. ST's Quality department must be contacted prior to any decision to use these engineering samples to run a qualification activity.



### 7.5 UFBGA100 package information

Figure 58. UFBGA100 - 100-ball, 7 x 7 mm, 0.50 mm pitch, ultra fine pitch ball grid array package outline



1. Drawing is not to scale.

Table 84. UFBGA100 - 100-ball, 7 x 7 mm, 0.50 mm pitch, ultra fine pitch ball grid array package mechanical data

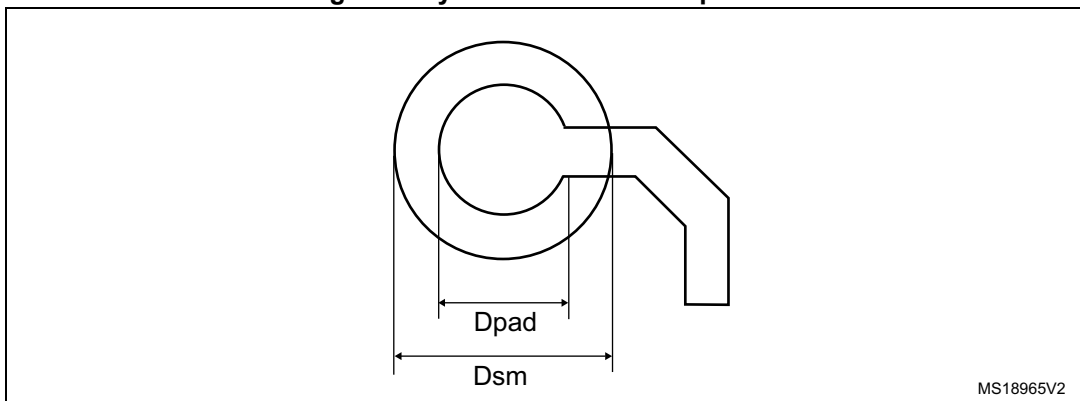
| Symbol | millimeters |       |       | inches <sup>(1)</sup> |        |        |
|--------|-------------|-------|-------|-----------------------|--------|--------|
|        | Min.        | Typ.  | Max.  | Min.                  | Typ.   | Max.   |
| A      | 0.460       | 0.530 | 0.600 | 0.0181                | 0.0209 | 0.0236 |
| A1     | 0.050       | 0.080 | 0.110 | 0.0020                | 0.0031 | 0.0043 |
| A2     | 0.400       | 0.450 | 0.500 | 0.0157                | 0.0177 | 0.0197 |
| A3     | -           | 0.130 | -     | -                     | 0.0051 | -      |
| A4     | 0.270       | 0.320 | 0.370 | 0.0106                | 0.0126 | 0.0146 |
| b      | 0.200       | 0.250 | 0.300 | 0.0079                | 0.0098 | 0.0118 |
| D      | 6.950       | 7.000 | 7.050 | 0.2736                | 0.2756 | 0.2776 |
| D1     | 5.450       | 5.500 | 5.550 | 0.2146                | 0.2165 | 0.2185 |
| E      | 6.950       | 7.000 | 7.050 | 0.2736                | 0.2756 | 0.2776 |
| E1     | 5.450       | 5.500 | 5.550 | 0.2146                | 0.2165 | 0.2185 |
| e      | -           | 0.500 | -     | -                     | 0.0197 | -      |
| F      | 0.700       | 0.750 | 0.800 | 0.0276                | 0.0295 | 0.0315 |

**Table 84. UFBGA100 - 100-ball, 7 x 7 mm, 0.50 mm pitch, ultra fine pitch ball grid array package mechanical data (continued)**

| Symbol | millimeters |      |       | inches <sup>(1)</sup> |      |        |
|--------|-------------|------|-------|-----------------------|------|--------|
|        | Min.        | Typ. | Max.  | Min.                  | Typ. | Max.   |
| ddd    | -           | -    | 0.100 | -                     | -    | 0.0039 |
| eee    | -           | -    | 0.150 | -                     | -    | 0.0059 |
| fff    | -           | -    | 0.050 | -                     | -    | 0.0020 |

1. Values in inches are converted from mm and rounded to 4 decimal digits.

**Figure 59. UFBGA100 - 100-ball, 7 x 7 mm, 0.50 mm pitch, ultra fine pitch ball grid array recommended footprint**



**Table 85. UFBGA100 recommended PCB design rules (0.5 mm pitch BGA)**

| Dimension    | Recommended values  |
|--------------|---|
| Pitch        | 0.5   |
| Dpad         | 0.27 mm   |
| Dsm          | 0.35 mm typ. (depends on the soldermask registration tolerance) |
| Solder paste | 0.27 mm aperture diameter.                                      |

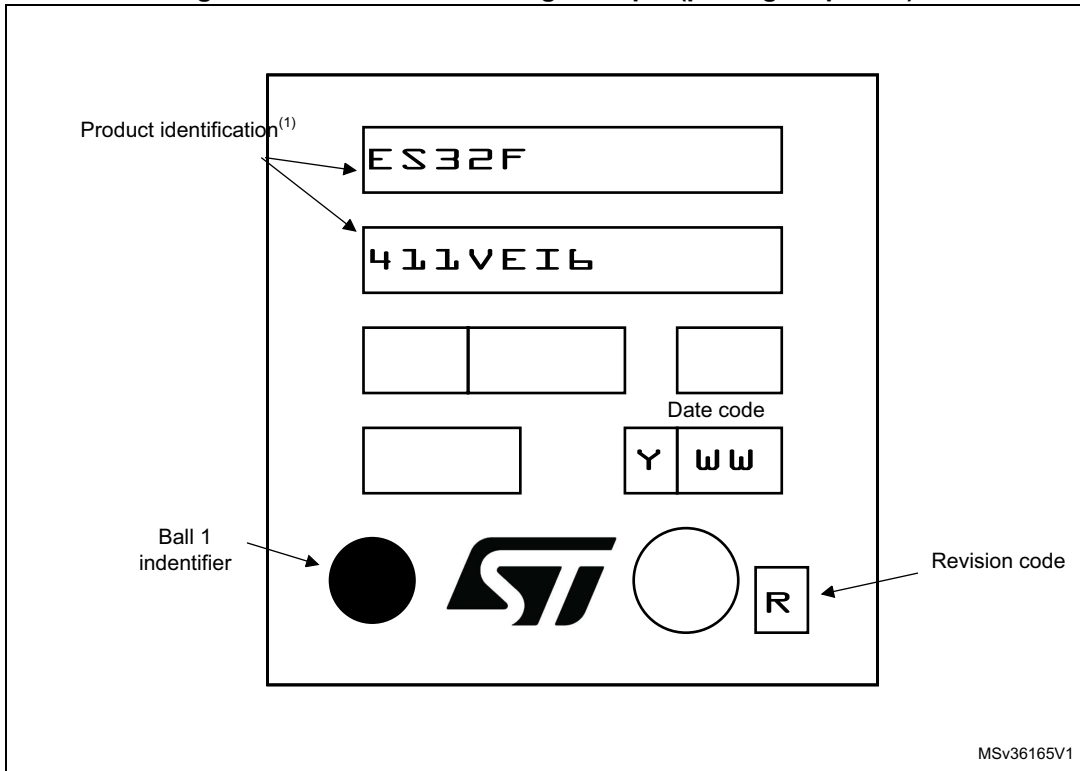
1. Non-solder mask defined (NSMD) pads are recommended.
2. 4 to 6 mils solder paste screen printing process.

### Device marking for UFBGA100

The following figure gives an example of topside marking orientation versus ball A1 identifier location.

Other optional marking or inset/upset marks, which depend on supply chain operations, are not indicated below.

Figure 60. UFBGA100 marking example (package top view)



1. Parts marked as ES or E or accompanied by an Engineering Sample notification letter are not yet qualified and therefore not approved for use in production. ST is not responsible for any consequences resulting from such use. In no event will ST be liable for the customer using any of these engineering samples in production. ST's Quality department must be contacted prior to any decision to use these engineering samples to run a qualification activity.

## 7.6 Thermal characteristics

The maximum chip junction temperature ( $T_{Jmax}$ ) must never exceed the values given in [Table 14: General operating conditions on page 59](#).

The maximum chip-junction temperature,  $T_J max.$ , in degrees Celsius, may be calculated using the following equation:

$$T_J max = T_A max + (PD max \times \Theta_{JA})$$

Where:

- $T_A max$  is the maximum ambient temperature in °C,
- $\Theta_{JA}$  is the package junction-to-ambient thermal resistance, in °C/W,
- PD max is the sum of  $P_{INT max}$  and  $P_{I/O max}$  ( $PD max = P_{INT max} + P_{I/O max}$ ),
- $P_{INT max}$  is the product of  $I_{DD}$  and  $V_{DD}$ , expressed in Watts. This is the maximum chip internal power.

$P_{I/O max}$  represents the maximum power dissipation on output pins where:

$$P_{I/O max} = \Sigma (V_{OL} \times I_{OL}) + \Sigma (V_{DD} - V_{OH}) \times I_{OH},$$

taking into account the actual  $V_{OL} / I_{OL}$  and  $V_{OH} / I_{OH}$  of the I/Os at low and high level in the application.

**Table 86. Package thermal characteristics**

| Symbol        | Parameter                                       | Value | Unit |
|---------------|---|-------|------|
| $\Theta_{JA}$ | Thermal resistance junction-ambient<br>UFQFPN48 | 32    | °C/W |
|               | Thermal resistance junction-ambient<br>WLCSP49  | 51    |      |
|               | Thermal resistance junction-ambient<br>LQFP64   | 47    |      |
|               | Thermal resistance junction-ambient<br>LQFP100  | 43    |      |
|               | Thermal resistance junction-ambient<br>UFBGA100 | 62    |      |

### 7.6.1 Reference document

JESD51-2 Integrated Circuits Thermal Test Method Environment Conditions - Natural Convection (Still Air). Available from [www.jedec.org](http://www.jedec.org).

# 8 Ordering information

**Table 87. Ordering information scheme**

| Example:  | STM32 | F | 411 | C | E | Y | 6 | TR |
|---|-------|---|-----|---|---|---|---|----|
| <b>Device family</b><br>STM32 = Arm <sup>®</sup> -based 32-bit microcontroller  |       |   |     |   |   |   |   |    |
| <b>Product type</b><br>F = General-purpose  |       |   |     |   |   |   |   |    |
| <b>Device subfamily</b><br>411 = 411 family   |       |   |     |   |   |   |   |    |
| <b>Pin count</b><br>C = 48/49 pins<br>R = 64 pins<br>V = 100 pins   |       |   |     |   |   |   |   |    |
| <b>Flash memory size</b><br>C = 256 Kbytes of Flash memory<br>E = 512 Kbytes of Flash memory  |       |   |     |   |   |   |   |    |
| <b>Package</b><br>H = UFBGA<br>T = LQFP<br>U = UFQFPN<br>Y = WLCSP  |       |   |     |   |   |   |   |    |
| <b>Temperature range</b><br>6 = Industrial temperature range, - 40 to 85 °C<br>7 = Industrial temperature range, - 40 to 105 °C<br>3 = Industrial temperature range, - 40 to 125 °C |       |   |     |   |   |   |   |    |
| <b>Packing</b><br>TR = tape and reel<br>No character = tray or tube   |       |   |     |   |   |   |   |    |

## Appendix A Recommendations when using the internal reset OFF

When the internal reset is OFF, the following integrated features are no longer supported:

- The integrated power-on-reset (POR)/power-down reset (PDR) circuitry is disabled.
- The brownout reset (BRO) circuitry must be disabled. By default BOR is OFF.
- The embedded programmable voltage detector (PVD) is disabled.
- $V_{BAT}$  functionality is no more available and VBAT pin should be connected to  $V_{DD}$ .

### A.1 Operating conditions

Table 88. Limitations depending on the operating power supply range

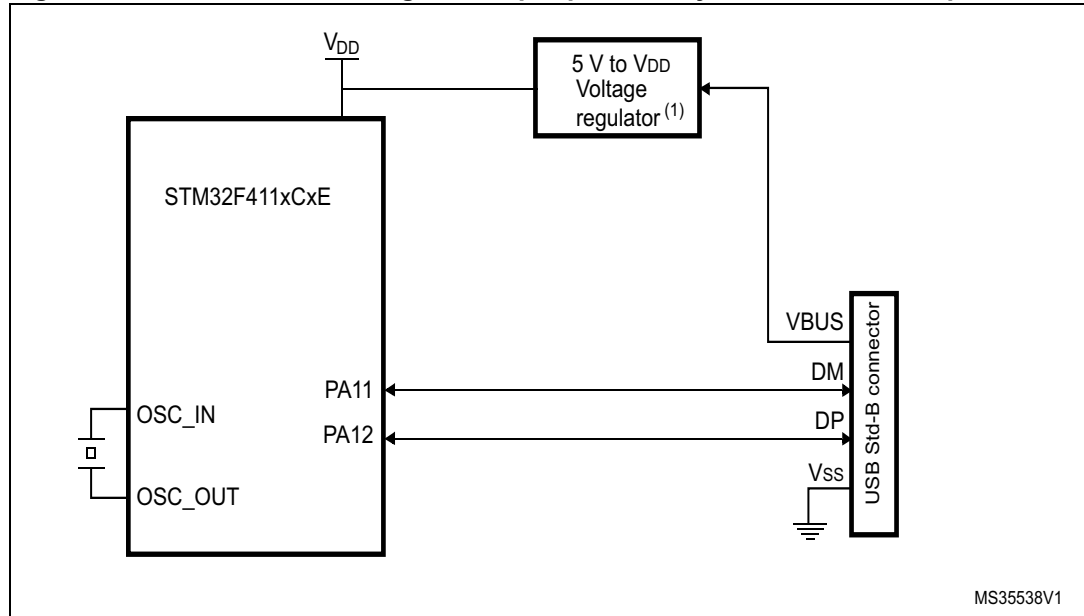
| Operating power supply range             | ADC operation                  | Maximum Flash memory access frequency with no wait state ( $f_{Flashmax}$ ) | Maximum Flash memory access frequency with no wait states <sup>(1) (2)</sup> | I/O operation       | Possible Flash memory operations        |
|--|--------------------------------|---|--|---------------------|---|
| $V_{DD} = 1.7$ to $2.1$ V <sup>(3)</sup> | Conversion time up to 1.2 Msps | 20 MHz <sup>(4)</sup>   | 100 MHz with 6 wait states   | No I/O compensation | 8-bit erase and program operations only |

1. Applicable only when the code is executed from Flash memory. When the code is executed from RAM, no wait state is required.
2. Thanks to the ART accelerator and the 128-bit Flash memory, the number of wait states given here does not impact the execution speed from Flash memory since the ART accelerator allows to achieve a performance equivalent to 0 wait state program execution.
3.  $V_{DD}/V_{DDA}$  minimum value of 1.7 V, with the use of an external power supply supervisor (refer to [Section 3.15.1: Internal reset ON](#)).
4. Prefetch is not available. Refer to AN3430 application note for details on how to adjust performance and power.

## Appendix B Application block diagrams

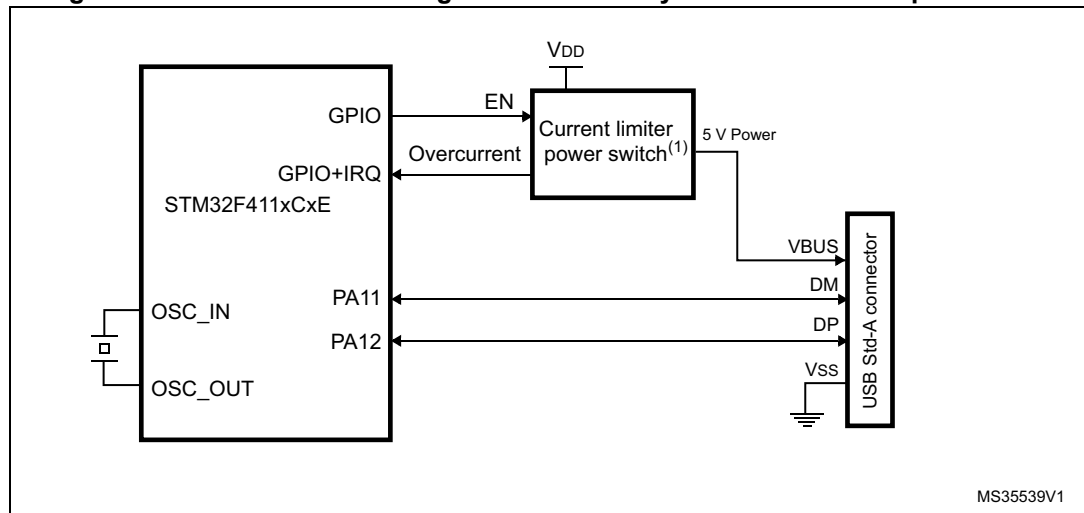
### B.1 USB OTG Full Speed (FS) interface solutions

Figure 61. USB controller configured as peripheral-only and used in Full-Speed mode



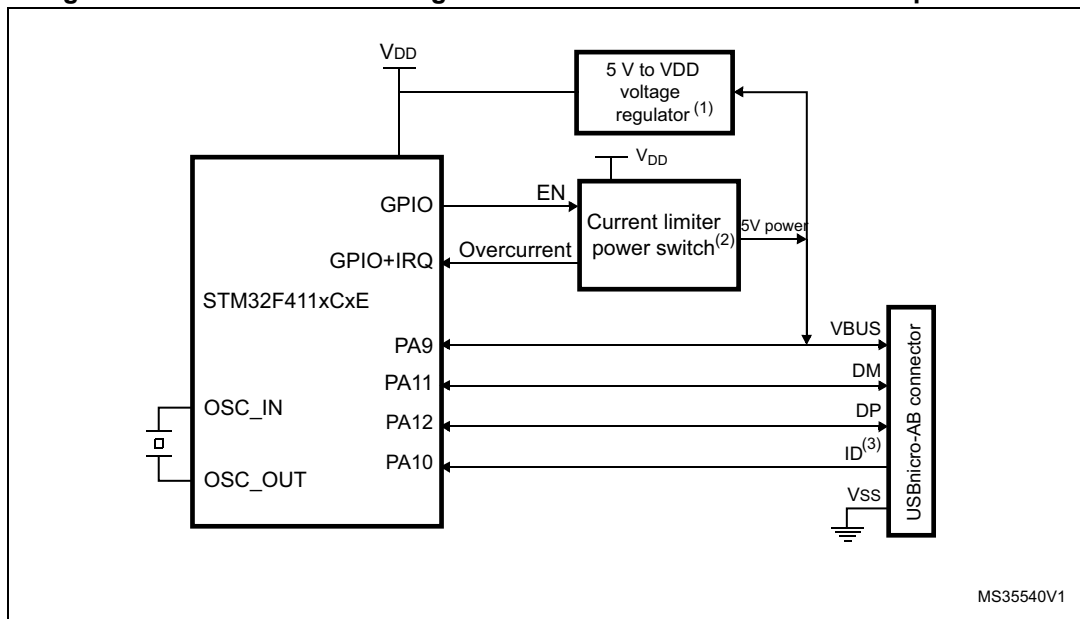
1. The external voltage regulator is only needed when building a  $V_{BUS}$  powered device.

Figure 62. USB controller configured as host-only and used in Full-Speed mode



1. The current limiter is required only if the application has to support a  $V_{BUS}$  powered device. A basic power switch can be used if 5V are available on the application board.

Figure 63. USB controller configured in dual mode and used in Full-Speed mode

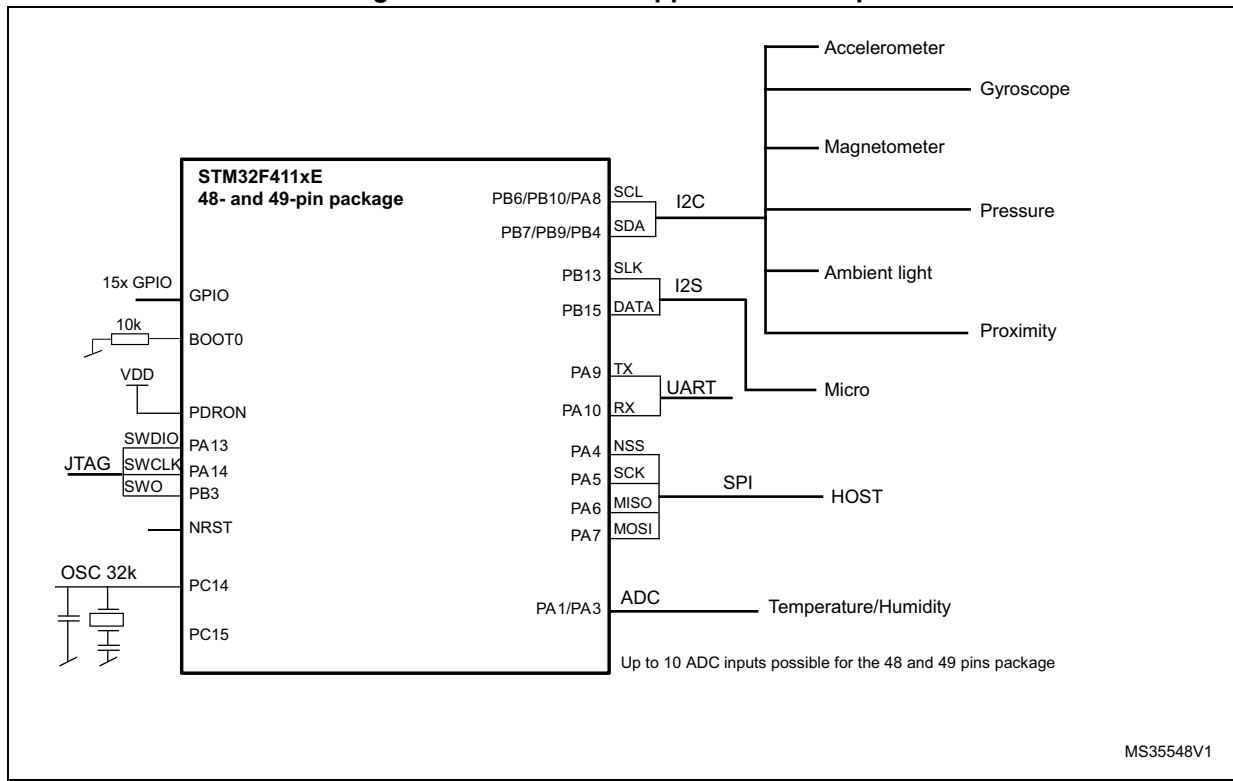


1. The external voltage regulator is only needed when building a  $V_{BUS}$  powered device.
2. The current limiter is required only if the application has to support a  $V_{BUS}$  powered device. A basic power switch can be used if 5 V are available on the application board.
3. The ID pin is required in dual role only.



## B.2 Sensor Hub application example

Figure 64. Sensor Hub application example

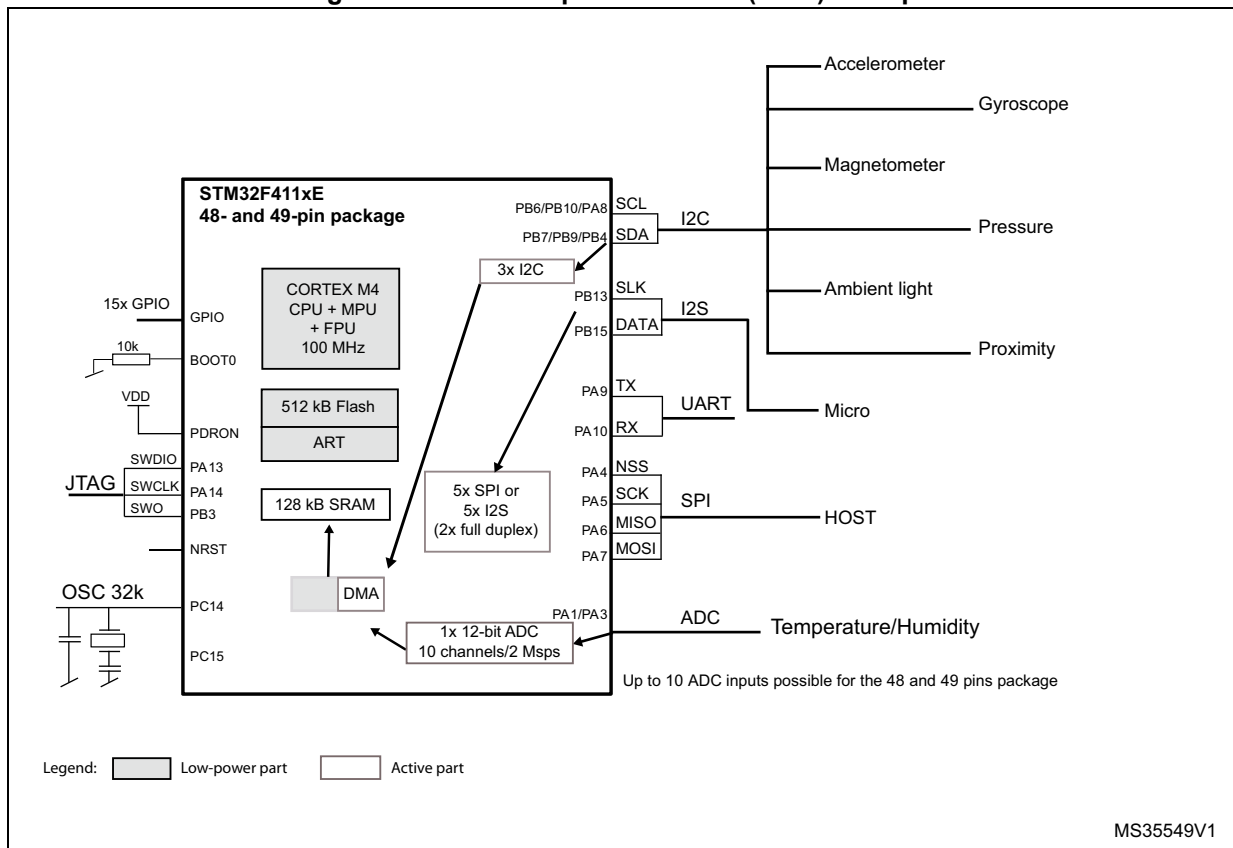


### B.3 Batch Acquisition Mode (BAM) example

Data is transferred through the DMA from interfaces into the internal SRAM while the rest of the MCU is set in low power mode.

- Code execution from RAM before switching off the Flash.
- Flash is set in power down and flash interface (ART™ accelerator) clock is stopped.
- The clocks are enabled only for the required interfaces.
- MCU core is set in sleep mode (core clock stopped waiting for interrupt).
- Only the needed DMA channels are enabled and running.

Figure 65. Batch Acquisition Mode (BAM) example



## Revision history

**Table 89. Document revision history**

| Date        | Revision | Changes   |
|-------------|----------|---|
| 19-Jun-2014 | 1        | Initial release.  |
| 10-Sep-2014 | 2        | <p>Introduced the BAM feature in <i>Features, Section 2: Description.</i>, and <i>Section 3.3: Batch Acquisition mode (BAM)</i>.</p> <p>Updated <i>Section 3.5: Embedded Flash memory, Section 3.14: Power supply schemes and Section 3.18: Low-power modes, Section 3.20.2: General-purpose timers (TIMx) and Section 3.30: Temperature sensor</i>.</p> <p>Modified <i>Table 8: STM32F411xC/xE pin definitions, Table 9: Alternate function mapping and APB2 in Table 10: STM32F411xC/xE register boundary addresses</i>.</p> <p>Modified <i>Table 34: Low-power mode wakeup timings<sup>(1)</sup>, Table 20: Typical and maximum current consumption, code with data processing (ART accelerator disabled) running from SRAM - <math>V_{DD} = 1.7\text{ V}</math>, Table 21: Typical and maximum current consumption, code with data processing (ART accelerator disabled) running from SRAM - <math>V_{DD} = 3.6\text{ V}</math>, Table 25: Typical and maximum current consumption in run mode, code with data processing (ART accelerator enabled with prefetch) running from Flash memory - <math>V_{DD} = 3.6\text{ V}</math>, Table 26: Typical and maximum current consumption in Sleep mode - <math>V_{DD} = 3.6\text{ V}</math> and Table 58: <math>I^2C</math> characteristics and Figure 33: <math>I^2C</math> bus AC waveforms and measurement circuit</i>.</p> <p>Added <i>Figure 21: Low-power mode wakeup, Section Appendix A: Recommendations when using the internal reset OFF and Section Appendix B: Application block diagrams</i>.</p> |
| 27-Nov-2014 | 3        | <p>Changed datasheet status to Production Data.</p> <p>Updated <i>Table 31: Typical and maximum current consumptions in <math>V_{BAT}</math> mode. Section : On-chip peripheral current consumption</i>: changed HCLK frequency and updated DMA1 and DMA2 current consumption in <i>Table 33: Peripheral current consumption</i>.</p> <p>Updated <i>Table 55: I/O AC characteristics</i>.</p> <p>Updated THD in <i>Table 69: ADC dynamic accuracy at <math>f_{ADC} = 18\text{ MHz}</math> - limited test conditions and Table 70: ADC dynamic accuracy at <math>f_{ADC} = 36\text{ MHz}</math> - limited test conditions</i>.</p> <p>Updated <i>Table 55: I/O AC characteristics</i>.</p> <p>Updated <i>Figure 46: WLCSP49 - 49-ball, 2.999 x 3.185 mm, 0.4 mm pitch wafer level chip scale package outline and Figure 48: WLCSP49 marking (package top view)</i>.</p> <p>Added <i>Figure 47: WLCSP49 - 49-ball, 2.999 x 3.185 mm, 0.4 mm pitch wafer level chip scale recommended footprint and Table 80: WLCSP49 recommended PCB design rules (0.4 mm pitch)</i>.</p> <p>Updated <i>Figure 51: UFQFPN48 marking example (package top view), Figure 54: LQFP64 marking example (package top view), Figure 57: LQPF100 marking example (package top view), and Figure 84: UFBGA100 - 100-ball, 7 x 7 mm, 0.50 mm pitch, ultra fine pitch ball grid array package mechanical data</i>.</p>   |
| 04-Feb-2015 | 4        | <p>Added VPP alternate function for BOOT0 in <i>Table 8: STM32F411xC/xE pin definitions</i>.</p> <p>Added TC inputs in <i>Table 11: Voltage characteristics, Table 12: Current characteristics, Table 14: General operating conditions, Table 53: I/O static characteristics and Figure 30: FT/TC I/O input characteristics</i>.</p> <p>Updated <math>V_{ESD(CDM)}</math> in <i>Table 50: ESD absolute maximum ratings</i>.</p> <p>A3 minimum and maximum values removed in <i>Table 83: UFBGA100 - 100-ball, 7 x 7 mm, 0.50 mm pitch, ultra fine pitch ball grid array package mechanical data</i>.</p>  |

Table 89. Document revision history

| Date        | Revision | Changes   |
|-------------|----------|---|
| 21-Nov-2016 | 5        | <p>Updated:</p> <ul style="list-style-type: none"> <li>– <a href="#">Features</a></li> <li>– <a href="#">Figure 1: Compatible board design for LQFP100 package</a></li> <li>– <a href="#">Figure 2: Compatible board design for LQFP64 package</a></li> <li>– <a href="#">Figure 3: STM32F411xC/xE block diagram</a></li> <li>– <a href="#">Figure 22: High-speed external clock source AC timing diagram</a></li> <li>– <a href="#">Figure 23: Low-speed external clock source AC timing diagram</a></li> <li>– <a href="#">Figure 33: I<sup>2</sup>C bus AC waveforms and measurement circuit</a></li> <li>– <a href="#">Figure 58: UFBGA100 - 100-ball, 7 x 7 mm, 0.50 mm pitch, ultra fine pitch ball grid array package outline</a></li> <li>– <a href="#">Table 2: STM32F411xC/xE features and peripheral counts</a></li> <li>– <a href="#">Table 8: STM32F411xC/xE pin definitions</a></li> <li>– <a href="#">Table 13: Thermal characteristics</a></li> <li>– <a href="#">Table 14: General operating conditions</a></li> <li>– From <a href="#">Table 20: Typical and maximum current consumption, code with data processing (ART accelerator disabled) running from SRAM - V<sub>DD</sub> = 1.7 V</a> to <a href="#">Table 31: Typical and maximum current consumptions in V<sub>BAT</sub> mode</a></li> <li>– <a href="#">Table 35: High-speed external user clock characteristics</a></li> <li>– <a href="#">Table 36: Low-speed external user clock characteristics</a></li> <li>– <a href="#">Table 39: HSI oscillator characteristics</a></li> <li>– <a href="#">Table 47: Flash memory endurance and data retention</a></li> <li>– <a href="#">Table 51: Electrical sensitivities</a></li> <li>– <a href="#">Table 53: I/O static characteristics</a></li> <li>– <a href="#">Table 76: Dynamic characteristics: SD / MMC characteristics</a></li> <li>– <a href="#">Table 87: Ordering information scheme</a></li> </ul> <p>Added:</p> <ul style="list-style-type: none"> <li>– <a href="#">One-time programmable bytes</a></li> <li>– <a href="#">Table 86: Package thermal characteristics</a></li> </ul> |
| 05-Dec-2016 | 6        | <p>Updated:</p> <ul style="list-style-type: none"> <li>– <a href="#">Table 27: Typical and maximum current consumptions in Stop mode - V<sub>DD</sub> = 1.7 V</a></li> <li>– <a href="#">Table 28: Typical and maximum current consumption in Stop mode - V<sub>DD</sub>=3.6 V</a></li> <li>– <a href="#">Table 29: Typical and maximum current consumption in Standby mode - V<sub>DD</sub>= 1.7 V</a></li> <li>– <a href="#">Table 30: Typical and maximum current consumption in Standby mode - V<sub>DD</sub>= 3.6 V</a></li> </ul>   |
| 14-Dec-2017 | 7        | <p>Updated:</p> <ul style="list-style-type: none"> <li>– <a href="#">Table 27: Typical and maximum current consumptions in Stop mode - V<sub>DD</sub> = 1.7 V</a></li> <li>– <a href="#">Table 28: Typical and maximum current consumption in Stop mode - V<sub>DD</sub>=3.6 V</a></li> <li>– <a href="#">Table 29: Typical and maximum current consumption in Standby mode - V<sub>DD</sub>= 1.7 V</a></li> <li>– <a href="#">Table 30: Typical and maximum current consumption in Standby mode - V<sub>DD</sub>= 3.6 V</a></li> </ul>   |

**IMPORTANT NOTICE – PLEASE READ CAREFULLY**

STMicroelectronics NV and its subsidiaries ("ST") reserve the right to make changes, corrections, enhancements, modifications, and improvements to ST products and/or to this document at any time without notice. Purchasers should obtain the latest relevant information on ST products before placing orders. ST products are sold pursuant to ST's terms and conditions of sale in place at the time of order acknowledgement.

Purchasers are solely responsible for the choice, selection, and use of ST products and ST assumes no liability for application assistance or the design of Purchasers' products.

No license, express or implied, to any intellectual property right is granted by ST herein.

Resale of ST products with provisions different from the information set forth herein shall void any warranty granted by ST for such product.

ST and the ST logo are trademarks of ST. All other product or service names are the property of their respective owners.

Information in this document supersedes and replaces information previously supplied in any prior versions of this document.

© 2017 STMicroelectronics – All rights reserved



Компания «Океан Электроники» предлагает заключение долгосрочных отношений при поставках импортных электронных компонентов на взаимовыгодных условиях!

Наши преимущества:

- Поставка оригинальных импортных электронных компонентов напрямую с производств Америки, Европы и Азии, а так же с крупнейших складов мира;
- Широкая линейка поставок активных и пассивных импортных электронных компонентов (более 30 млн. наименований);
- Поставка сложных, дефицитных, либо снятых с производства позиций;
- Оперативные сроки поставки под заказ (от 5 рабочих дней);
- Экспресс доставка в любую точку России;
- Помощь Конструкторского Отдела и консультации квалифицированных инженеров;
- Техническая поддержка проекта, помощь в подборе аналогов, поставка прототипов;
- Поставка электронных компонентов под контролем ВП;
- Система менеджмента качества сертифицирована по Международному стандарту ISO 9001;
- При необходимости вся продукция военного и аэрокосмического назначения проходит испытания и сертификацию в лаборатории (по согласованию с заказчиком);
- Поставка специализированных компонентов военного и аэрокосмического уровня качества (Xilinx, Altera, Analog Devices, Intersil, Interpoint, Microsemi, Actel, Aeroflex, Peregrine, VPT, Syfer, Eurofarad, Texas Instruments, MS Kennedy, Miteq, Cobham, E2V, MA-COM, Hittite, Mini-Circuits, General Dynamics и др.);

Компания «Океан Электроники» является официальным дистрибьютором и эксклюзивным представителем в России одного из крупнейших производителей разъемов военного и аэрокосмического назначения «JONHON», а так же официальным дистрибьютором и эксклюзивным представителем в России производителя высокотехнологичных и надежных решений для передачи СВЧ сигналов «FORSTAR».



## JONHON

«JONHON» (основан в 1970 г.)

Разъемы специального, военного и аэрокосмического назначения:

(Применяются в военной, авиационной, аэрокосмической, морской, железнодорожной, горно- и нефтедобывающей отраслях промышленности)

«FORSTAR» (основан в 1998 г.)

ВЧ соединители, коаксиальные кабели,  
кабельные сборки и микроволновые компоненты:

(Применяются в телекоммуникациях гражданского и специального назначения, в средствах связи, РЛС, а так же военной, авиационной и аэрокосмической отраслях промышленности).



Телефон: 8 (812) 309-75-97 (многоканальный)

Факс: 8 (812) 320-03-32

Электронная почта: [ocean@oceanchips.ru](mailto:ocean@oceanchips.ru)

Web: <http://oceanchips.ru/>

Адрес: 198099, г. Санкт-Петербург, ул. Калинина, д. 2, корп. 4, лит. А