

**FEATURES**

- Single 3.3V or 5V power supply
- Up to 155Mbps operation
- Low noise PECL data outputs
- Chatter-free PECL Signal Detect (SD) output
- TTL /EN input
- Programmable SD level set ( $SD_{LVL}$ )
- Available in a tiny 10-pin MSOP (3mm) package

**DESCRIPTION**

The SY88813V low power limiting post amplifier is designed for use in fiber-optic receivers. The device connects to typical transimpedance amplifiers (TIAs). The linear signal output from TIAs can contain significant amounts of noise and may vary in amplitude over time. The SY88813V quantizes these signals and outputs PECL level waveforms.

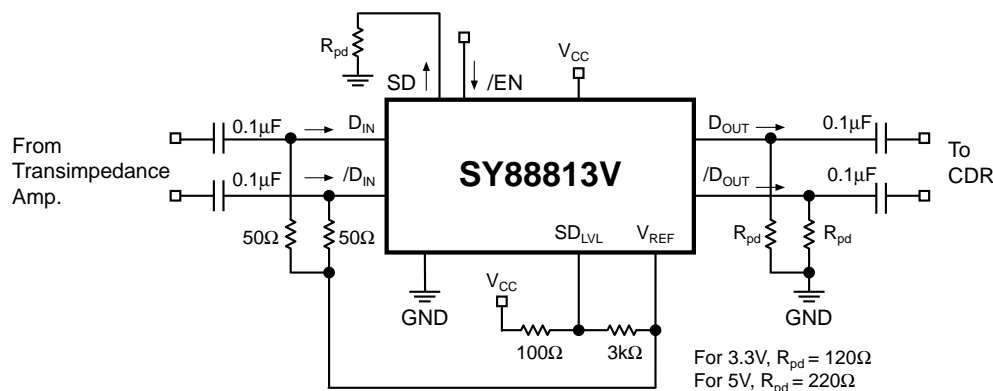
The SY88813V operates from a single +3.3V or +5V power supply, over temperatures ranging from  $-40^{\circ}\text{C}$  to  $+85^{\circ}\text{C}$ . With its wide bandwidth and high gain, signals with data rates up to 155Mbps and as small as  $5\text{mV}_{PP}$  can be amplified to drive devices with PECL inputs.

The SY88813V generates a PECL signal-detect output. A programmable signal-detect level set pin ( $SD_{LVL}$ ) sets the sensitivity of the input amplitude detection. SD asserts high if the input amplitude rises above the threshold set by  $SD_{LVL}$  and deasserts low otherwise. /EN deasserts the true output signal without removing the input signal. Typically 4.6dB SD hysteresis is provided to prevent chattering.

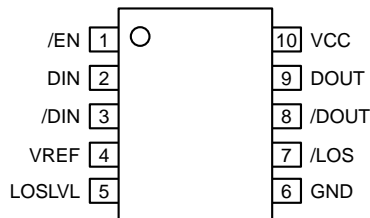
**APPLICATIONS**

- 155Mbps SONET/SDH
- Small form factor transceivers
- High-gain line driver and line receiver

**TYPICAL APPLICATIONS CIRCUIT**



**PACKAGE/ORDERING INFORMATION**



**10-Pin MSOP (K10-1)**

**Ordering Information**

Part Number	Package Type	Operating Range	Package Marking	Lead Finish
SY88813VKC	K10-1	Commercial	813V	Sn-Pb
SY88813VKCTR <sup>(1)</sup>	K10-1	Commercial	813V	Sn-Pb
SY88813VKG	K10-1	Industrial	813V with Pb-Free bar-line indicator	Pb-Free NiPdAu
SY88813VKGTR <sup>(1)</sup>	K10-1	Industrial	813V with Pb-Free bar-line indicator	Pb-Free NiPdAu

**Note:**

- 1. Tape and Reel.

**PIN DESCRIPTION**

Pin Number	Pin Name	Type	Pin Function
1	/EN	TTL Input: Default is high.	Enable: Deasserts true data output when high.
2	DIN	Data Input	True data input.
3	/DIN	Data Input	Complementary data input.
4	VREF		Reference voltage.
5	SDLVL	Input	Signal-Detect Level Set: A voltage between $V_{CC}$ and $V_{REF}$ on this pin sets the threshold for the data input amplitude at which SD will be asserted.
6	GND	Ground	Device ground.
7	SD	PECL Output	Signal-Detect: Asserts high when the data input amplitude rises above the threshold set by $SD_{LVL}$ .
8	/DOUT	PECL Output	Complementary data output.
9	DOUT	PECL Output	True data output.
10	VCC	Power Supply	Positive power supply.

### Absolute Maximum Ratings<sup>(1)</sup>

Supply Voltage ( $V_{CC}$ )	0V to +7.0V
Input Voltage ( $D_{IN}, /D_{IN}$ )	0 to $V_{CC}$
Output Current ( $I_{OUT}$ )	
Continuous	50mA
Surge	100mA
$/EN$ Voltage	0 to $V_{CC}$
$V_{REF}$ Current	-800 $\mu$ A to +500 $\mu$ A
$SD_{LVL}$ Voltage	0 to $V_{CC}$
Lead Temperature (soldering, 20 sec.)	+260°C
Storage Temperature ( $T_S$ )	-55°C to +125°C

### Operating Ratings<sup>(2)</sup>

Supply Voltage ( $V_{CC}$ )	+3.0V to +3.6V or +4.5V to +5.5V
Ambient Temperature ( $T_A$ ), <b>Note 3</b>	-40°C to +85°C
Junction Temperature ( $T_J$ ), <b>Note 3</b>	-40°C to +120°C
Package Thermal Resistance	
MSOP	
( $\theta_{JA}$ ) Still-Air	113°C/W
( $\psi_{JB}$ ) Still-Air	74°C/W

## DC ELECTRICAL CHARACTERISTICS<sup>(4)</sup>

$V_{CC} = 3.0V$  to  $3.6V$  or  $4.5V$  to  $5.5V$ ;  $R_{LOAD} = 50\Omega$  to  $V_{CC}-2V$ ;  $T_A = -40^\circ C$  to  $+85^\circ C$ ; typical values at  $V_{CC} = 3.3V$ ,  $T_A = 25^\circ C$

Symbol	Parameter	Condition	Min	Typ	Max	Units
$I_{CC}$	Power Supply Current	no output load		21	40	mA
$SD_{LVL}$	$SD_{LVL}$ Voltage		$V_{REF}$		$V_{CC}$	V
$V_{IH}$	$/EN$ Input HIGH Voltage		2.0			V
$V_{IL}$	$/EN$ Input LOW Voltage				0.8	V
$I_{IH}$	$/EN$ Input HIGH Current	$V_{IN} = 2.7V$ $V_{IN} = V_{CC}$			20 100	$\mu$ A $\mu$ A
$I_{IL}$	$/EN$ Input LOW Current	$V_{IN} = 0.5V$	-0.3			mA
$V_{OH}$	PECL Output HIGH Voltage	$50\Omega$ to $V_{CC}-2V$ output load	$V_{CC}-1.085$	$V_{CC}-0.955$	$V_{CC}-0.880$	V
$V_{OL}$	PECL Output LOW Voltage	$50\Omega$ to $V_{CC}-2V$ output load	$V_{CC}-1.830$	$V_{CC}-1.705$	$V_{CC}-1.555$	V
$V_{OFFSET}$	Differential Output Offset				$\pm 100$	mV
$V_{IHCMR}$	Common Mode Range	<b>Note 5</b>	GND +1.7		$V_{CC}$	V
$V_{REF}$	Reference Voltage	<b>Note 6</b>	$V_{CC}-1.38$	$V_{CC}-1.32$	$V_{CC}-1.26$	V

**Notes:**

1. Permanent device damage may occur if absolute maximum ratings are exceeded. This is a stress rating only and functional operation is not implied at conditions other than those detailed in the operational sections of this data sheet. Exposure to absolute maximum rating conditions for extended periods may affect device reliability.
2. The data sheet limits are not guaranteed if the device is operated beyond the operating ratings.
3. Commercial devices are guaranteed from 0°C to +85°C ambient temperature.
4. Specification for packaged product only.
5. The  $V_{IHCMR}$  range is referenced to the most positive side of the differential input signal.
6. The current provided into or from  $V_{REF}$  must be limited to 800 $\mu$ A source and 500 $\mu$ A sink.

**AC ELECTRICAL CHARACTERISTICS(7)**

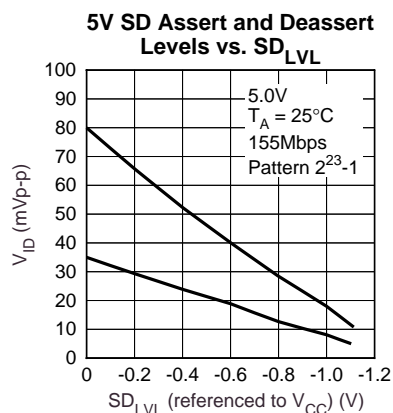
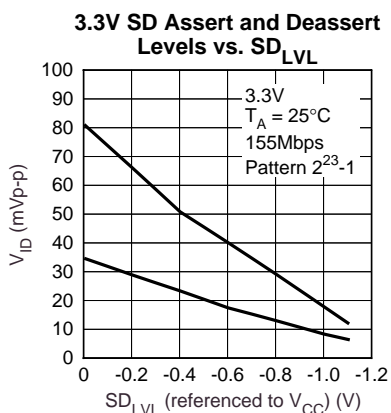
$V_{CC} = 3.0V$  to  $3.6V$  or  $4.5V$  to  $5.5V$ ;  $R_{LOAD} = 50\Omega$  to  $V_{CC}-2V$ ;  $T_A = -40^{\circ}C$  to  $+85^{\circ}C$ ; typical values at  $V_{CC} = 3.3V$ ,  $T_A = 25^{\circ}C$

Symbol	Parameter	Condition	Min	Typ	Max	Units
HYS	SD Hysteresis	electrical signal	2	4.6	8	dB
$t_{OFF}$	SD Release Time			0.1	0.5	$\mu s$
$t_{ON}$	SD Assert Time			0.2	0.5	$\mu s$
$t_r, t_f$	Differential Output Rise/Fall Time (20% to 80%)				1000	ps
$V_{ID}$	Differential Input Voltage Swing		5		1800	mV <sub>PP</sub>
$V_{OD}$	Differential Output Voltage Swing	$V_{ID} \geq 18mV_{PP}$ $V_{ID} = 5mV_{PP}$		1500 400		mV <sub>PP</sub> mV <sub>PP</sub>
$V_{SR}$	SD Sensitivity Range		5		50	mV <sub>PP</sub>
$A_{V(Diff)}$	Differential Voltage Gain			38		dB
$B_{-3dB}$	3dB Bandwidth		200			MHz
$S_{21}$	Single-Ended Small-Signal Gain		26	32		dB

Note :

7. Specification for packaged product only.

**TYPICAL OPERATING CHARACTERISTICS**



## DETAILED DESCRIPTION

The SY88813V low power limiting post amplifier operates from a single +3.3V or +5V power supply, over temperatures from  $-40^{\circ}\text{C}$  to  $+85^{\circ}\text{C}$ . Signals with data rates up to 155Mbps and as small as  $5\text{mV}_{\text{PP}}$  can be amplified. Figure 1 shows the allowed input voltage swing. The SY88813V generates a SD output.  $\text{SD}_{\text{LVL}}$  sets the sensitivity of the input amplitude detection.

### Input Amplifier/Buffer

Figure 2 shows a simplified schematic of the SY88813V's input stage. The high-sensitivity of the input amplifier allows signals as small as  $5\text{mV}_{\text{PP}}$  to be detected and amplified. The input amplifier allows input signals as large as  $1800\text{mV}_{\text{PP}}$ . Input signals are linearly amplified with a typically 38dB differential voltage gain. Since it is a limiting amplifier, the SY88813V outputs typically  $1500\text{mV}_{\text{PP}}$  voltage-limited waveforms for input signals that are greater than  $18\text{mV}_{\text{PP}}$ . Applications requiring the SY88813V to operate with high-gain should have the upstream TIA placed as close as possible to the SY88813V's input pins to ensure the best performance of the device.

### Output Buffer

The SY88813V's PECL output buffer is designed to drive  $50\Omega$  lines. The output buffer requires appropriate termination for proper operation. An external  $50\Omega$  resistor to  $V_{\text{CC}}-2\text{V}$  for each output pin provides this. Figure 3 shows a simplified schematic of the output stage and includes an appropriate termination method.

### Signal-Detect

The SY88813V generates a chatter-free PECL SD similar to the SY88813V's output buffer. SD is used to determine that the input amplitude is large enough to be considered a valid input. SD asserts high if the input amplitude rises above the threshold set by  $\text{SD}_{\text{LVL}}$  and deasserts low otherwise.  $\text{/EN}$  deasserts the true output signal without removing the input signals. Typically 4.6dB SD hysteresis is provided to prevent chattering.

### Signal-Detect Level Set

A programmable signal-detect level set pin ( $\text{SD}_{\text{LVL}}$ ) sets the threshold of the input amplitude detection. Setting a voltage on  $\text{SD}_{\text{LVL}}$  between  $V_{\text{CC}}$  and  $V_{\text{REF}}$  sets this threshold. If desired, a resistor divider between  $V_{\text{CC}}$  and  $V_{\text{REF}}$ , as shown in Figure 4, also creates this threshold. The smaller the voltage difference from  $\text{SD}_{\text{LVL}}$  to  $V_{\text{CC}}$ , the smaller the SD sensitivity. Hence, larger input amplitude is required to assert SD. "Typical Operating Characteristics" shows the relationship between the input amplitude detection sensitivity and the  $\text{SD}_{\text{LVL}}$  voltage.

### Hysteresis

The SY88813V provides typically 4.6dB SD electrical hysteresis. By definition, a power ratio measured in dB is  $10\log(\text{power ratio})$ . Power is calculated as  $V_{\text{IN}}^2/R$  for an electrical signal. Hence the same ratio can be stated as  $20\log(\text{voltage ratio})$ . While in linear mode, the electrical voltage input changes linearly with the optical power and hence the ratios change linearly. Therefore, the optical hysteresis in dB is half the electrical hysteresis in dB given in the datasheet. The SY88813V provides typically 2.3dB SD optical hysteresis. As the SY88813V is an electrical device, this datasheet refers to hysteresis in electrical terms. With 6dB SD hysteresis, a voltage factor of two is required to assert or deassert SD.

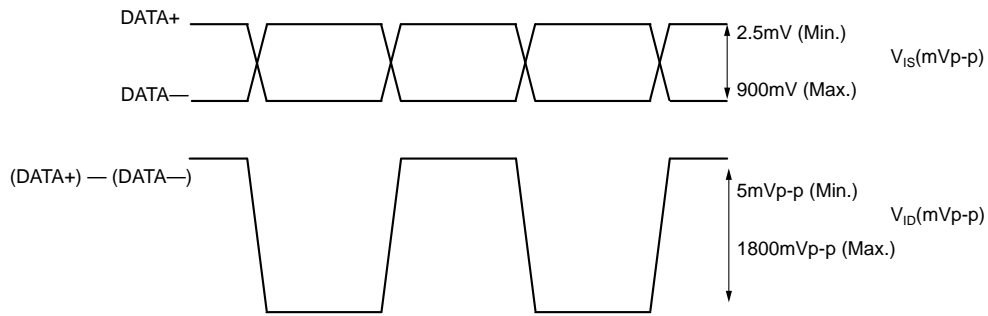


Figure 1.  $V_{IS}$  and  $V_{ID}$  Definition

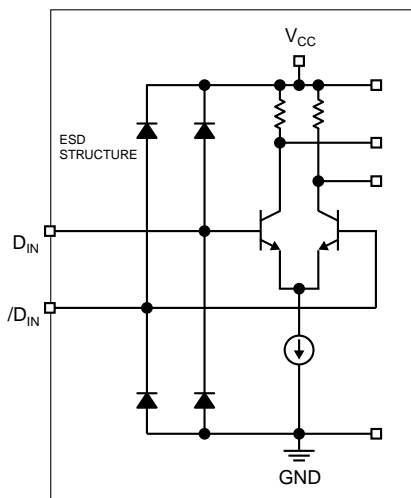


Figure 2. Input Structure

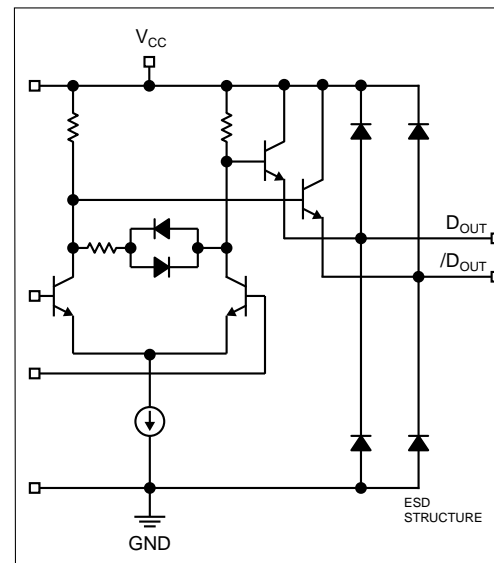


Figure 3. Output Structure

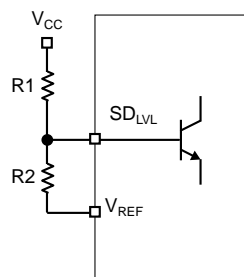
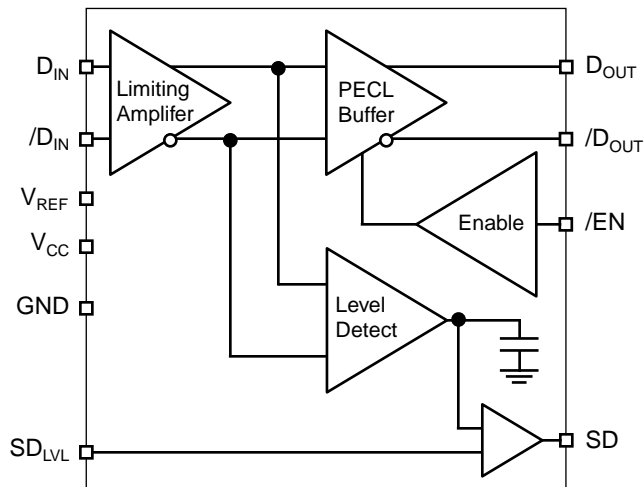


Figure 4.  $SD_{LVL}$  Setting Circuit

Notes.  $SD_{LVL} = V_{CC} - 1.32V + \frac{R2}{R1+R2} \times 1.32V$   
 $R1+R2 \geq 5k\Omega$

**FUNCTIONAL BLOCK DIAGRAM**



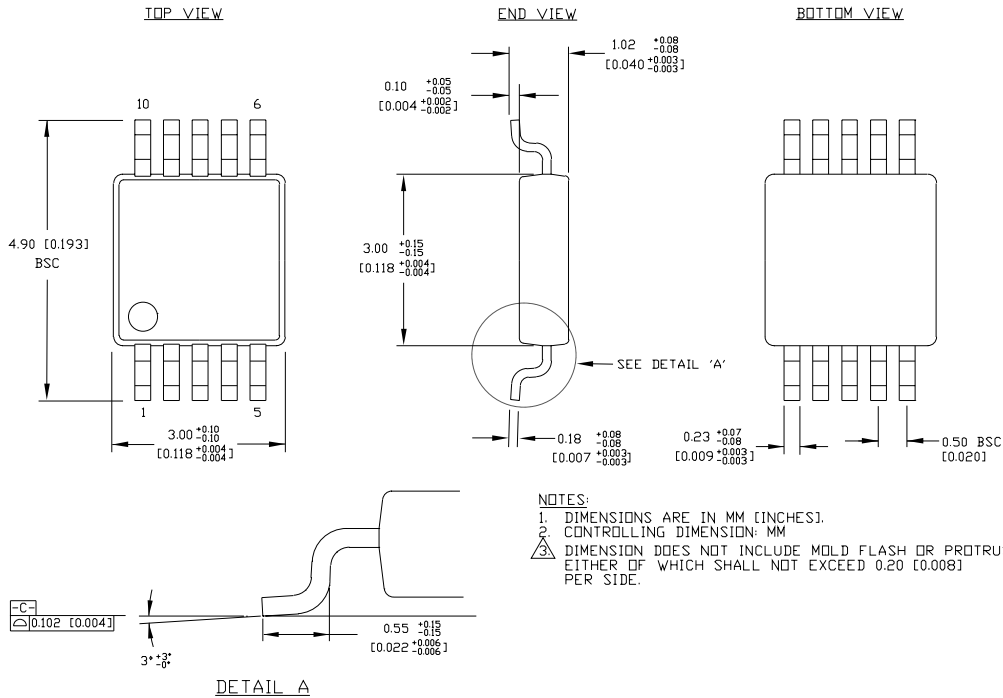
**DESIGN PROCEDURE**

**Layout and PCB Design**

Since the SY88813V is a high-frequency component, performance can be largely determined by the board layout and design. A common problem with high-gain amplifiers is the feedback from the large swing outputs to the input via the power supply.

The SY88813V's ground pin should be connected to the circuit board ground. Use multiple PCB vias close to the part to connect to ground. Avoid long, inductive runs which can degrade performance.

**10 LEAD MSOP (K10-1)**



Rev. 00

**MICREL, INC. 2180 FORTUNE DRIVE SAN JOSE, CA 95131 USA**

TEL + 1 (408) 944-0800 FAX + 1 (408) 474-1000 WEB <http://www.micrel.com>

The information furnished by Micrel in this datasheet is believed to be accurate and reliable. However, no responsibility is assumed by Micrel for its use. Micrel reserves the right to change circuitry and specifications at any time without notification to the customer.

Micrel Products are not designed or authorized for use as components in life support appliances, devices or systems where malfunction of a product can reasonably be expected to result in personal injury. Life support devices or systems are devices or systems that (a) are intended for surgical implant into the body or (b) support or sustain life, and whose failure to perform can be reasonably expected to result in a significant injury to the user. A Purchaser's use or sale of Micrel Products for use in life support appliances, devices or systems is at Purchaser's own risk and Purchaser agrees to fully indemnify Micrel for any damages resulting from such use or sale.

© 2005 Micrel, Incorporated.



Компания «Океан Электроники» предлагает заключение долгосрочных отношений при поставках импортных электронных компонентов на взаимовыгодных условиях!

Наши преимущества:

- Поставка оригинальных импортных электронных компонентов напрямую с производств Америки, Европы и Азии, а так же с крупнейших складов мира;
- Широкая линейка поставок активных и пассивных импортных электронных компонентов (более 30 млн. наименований);
- Поставка сложных, дефицитных, либо снятых с производства позиций;
- Оперативные сроки поставки под заказ (от 5 рабочих дней);
- Экспресс доставка в любую точку России;
- Помощь Конструкторского Отдела и консультации квалифицированных инженеров;
- Техническая поддержка проекта, помощь в подборе аналогов, поставка прототипов;
- Поставка электронных компонентов под контролем ВП;
- Система менеджмента качества сертифицирована по Международному стандарту ISO 9001;
- При необходимости вся продукция военного и аэрокосмического назначения проходит испытания и сертификацию в лаборатории (по согласованию с заказчиком);
- Поставка специализированных компонентов военного и аэрокосмического уровня качества (Xilinx, Altera, Analog Devices, Intersil, Interpoint, Microsemi, Actel, Aeroflex, Peregrine, VPT, Syfer, Eurofarad, Texas Instruments, MS Kennedy, Miteq, Cobham, E2V, MA-COM, Hittite, Mini-Circuits, General Dynamics и др.);

Компания «Океан Электроники» является официальным дистрибьютором и эксклюзивным представителем в России одного из крупнейших производителей разъемов военного и аэрокосмического назначения «JONHON», а так же официальным дистрибьютором и эксклюзивным представителем в России производителя высокотехнологичных и надежных решений для передачи СВЧ сигналов «FORSTAR».



## JONHON

«JONHON» (основан в 1970 г.)

Разъемы специального, военного и аэрокосмического назначения:

(Применяются в военной, авиационной, аэрокосмической, морской, железнодорожной, горно- и нефтедобывающей отраслях промышленности)

«FORSTAR» (основан в 1998 г.)

ВЧ соединители, коаксиальные кабели, кабельные сборки и микроволновые компоненты:

(Применяются в телекоммуникациях гражданского и специального назначения, в средствах связи, РЛС, а так же военной, авиационной и аэрокосмической отраслях промышленности).



Телефон: 8 (812) 309-75-97 (многоканальный)

Факс: 8 (812) 320-03-32

Электронная почта: [ocean@oceanchips.ru](mailto:ocean@oceanchips.ru)

Web: <http://oceanchips.ru/>

Адрес: 198099, г. Санкт-Петербург, ул. Калинина, д. 2, корп. 4, лит. А