

---

# ML610Q101/ML610Q102

---

## 8-bit Microcontroller

---

### GENERAL DESCRIPTION

This LSI is a high-performance 8-bit CMOS microcontroller into which rich peripheral circuits, such as timers, PWM, UART, voltage level supervisor (VLS) function, and 10-bit successive approximation type A/D converter, are incorporated around 8-bit CPU nX-U8/100.

The CPU nX-U8/100 is capable of efficient instruction execution in 1-instruction 1-clock mode by pipe line architecture parallel processing.

The on-chip debug function that is installed enables program debugging and programming.

### FEATURES

- CPU
  - 8-bit RISC CPU (CPU name: nX-U8/100)
  - Instruction system: 16-bit instructions
  - Instruction set:
    - Transfer, arithmetic operations, comparison, logic operations, multiplication/division, bit manipulations, bit logic operations, jump, conditional jump, call return stack manipulations, arithmetic shift, and so on
  - On-Chip debug function
  - Minimum instruction execution time
    - 30.5 $\mu$ s (@32.768kHz system clock)
    - 0.122 $\mu$ s (@8.192MHz system clock)
- Internal memory
  - ML610Q101 : Internal 4Kbyte Flash ROM (2K $\times$ 16 bits) (including unusable 32 byte test data area)
  - ML610Q102 : Internal 6Kbyte Flash ROM (3K $\times$ 16 bits) (including unusable 32 byte test data area)
  - Internal 256byte data RAM (256 $\times$ 8 bits)
- Interrupt controller
  - 1 non-maskable interrupt source (Internal source: 1)
  - 21 maskable interrupt sources (Internal sources: 16, External sources: 5)
- Time base counter (TBC)
  - Low-speed time base counter  $\times$ 1 channel
  - High-speed time base counter  $\times$ 1 channel
- Watchdog timer (WDT)
  - Non-maskable interrupt and reset
  - Free running
  - Overflow period: 4 types selectable (125ms, 500ms, 2s, and 8s)
- Timer
  - 8 bits  $\times$  6 channels (16-bit configuration available)
  - Support Continuous timer mode/one shot timer mode
  - Timer start/stop function by software or external trigger input

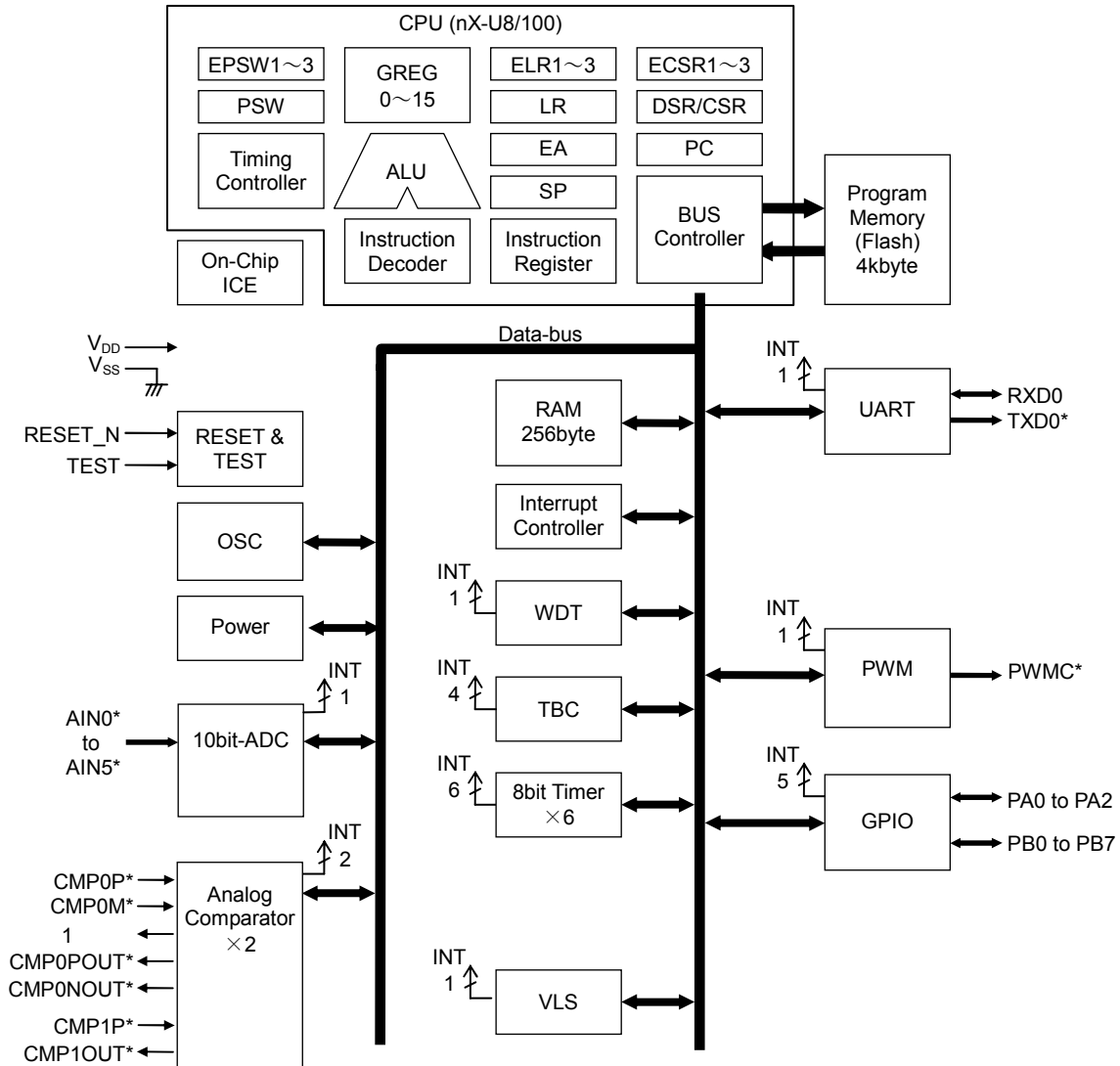
- PWM
  - Resolution 16 bits × 1 channel
  - Support Continuous timer mode/one shot timer mode
  - PWM start/stop function by software or external trigger input
- UART
  - Half-duplex
  - TXD/RXD × 1 channels
  - Bit length, parity/no parity, odd parity/even parity, 1 stop bit/2 stop bits
  - Positive logic/negative logic selectable
  - Built-in baud rate generator
- Successive approximation type A/D converter (SA-ADC)
  - 10-bit A/D converter
  - Input × 6 channels
- Analog Comparator
  - Operating voltage:  $V_{DD} = 2.7V$  to  $5.5V$
  - Input voltage by common mode:  $V_{DD} = 0.1V$  to  $V_{DD} - 1.5V$
  - Hysteresis (Comparator0 only): 20mV(Typ.)
  - Allows selection of interrupt disabled mode,falling-edge interrupt mode,rising-edge interrupt mode, or both-edge interrupt mode.
- General-purpose ports (GPIO)
  - Input/output port × 11 channels (including secondary functions)
- Reset
  - Reset by the RESET\_N pin
  - Reset by power-on detection
  - Reset by the watchdog timer (WDT) overflow
  - Reset by voltage level supervisor(VLS)
- Voltage level supervisor(VLS)
  - Judgment accuracy:  $\pm 3.0\%$  (Typ.)
  - It can be used for low level detection reset.
- Clock
  - Low-speed clock:
    - Built-in RC oscillation (32.768 kHz)
  - High-speed clock:
    - Built-in PLL oscillation (16.384 MHz), external clock
    - The clock of the CPU is 8.192MHz(Max)
  - Selection of high-speed clock mode by software:
    - Built-in PLL oscillation, external clock
- Power management
  - HALT mode: Instruction execution by CPU is suspended (peripheral circuits are in operating states).
  - STOP mode: Stop of low-speed oscillation and high-speed oscillation (Operations of CPU and peripheral circuits are stopped.)
  - Clock gear: The frequency of high-speed system clock can be changed by software (1/1, 1/2, 1/4, or 1/8 of the oscillation clock)
  - Block Control Function: Power down (reset registers and stop clock supply) the circuits of unused peripherals.

- Shipment
  - 16-pin plastic SSOP
    - ML610Q101-xxxMB (Blank product: ML610Q101-NNNMB)
    - ML610Q102-xxxMB (Blank product: ML610Q102-NNNMB)
- Guaranteed operating range
  - Operating temperature:  $-40^{\circ}\text{C}$  to  $85^{\circ}\text{C}$
  - Operating voltage:  $V_{\text{DD}} = 2.7\text{V}$  to  $5.5\text{V}$

**BLOCK DIAGRAM**  
**ML610Q101 Block Diagram**

Figure 1 show the block diagram of the ML610Q101.

"\*" indicates secondary function, tertiary function or quaternary function of each port.



**Figure 1 ML610Q101 Block Diagram**

ML610Q102 Block Diagram

Figure 2 show the block diagram of the ML610Q102.

"\*" indicates secondary function, tertiary function or quaternary function of each port.

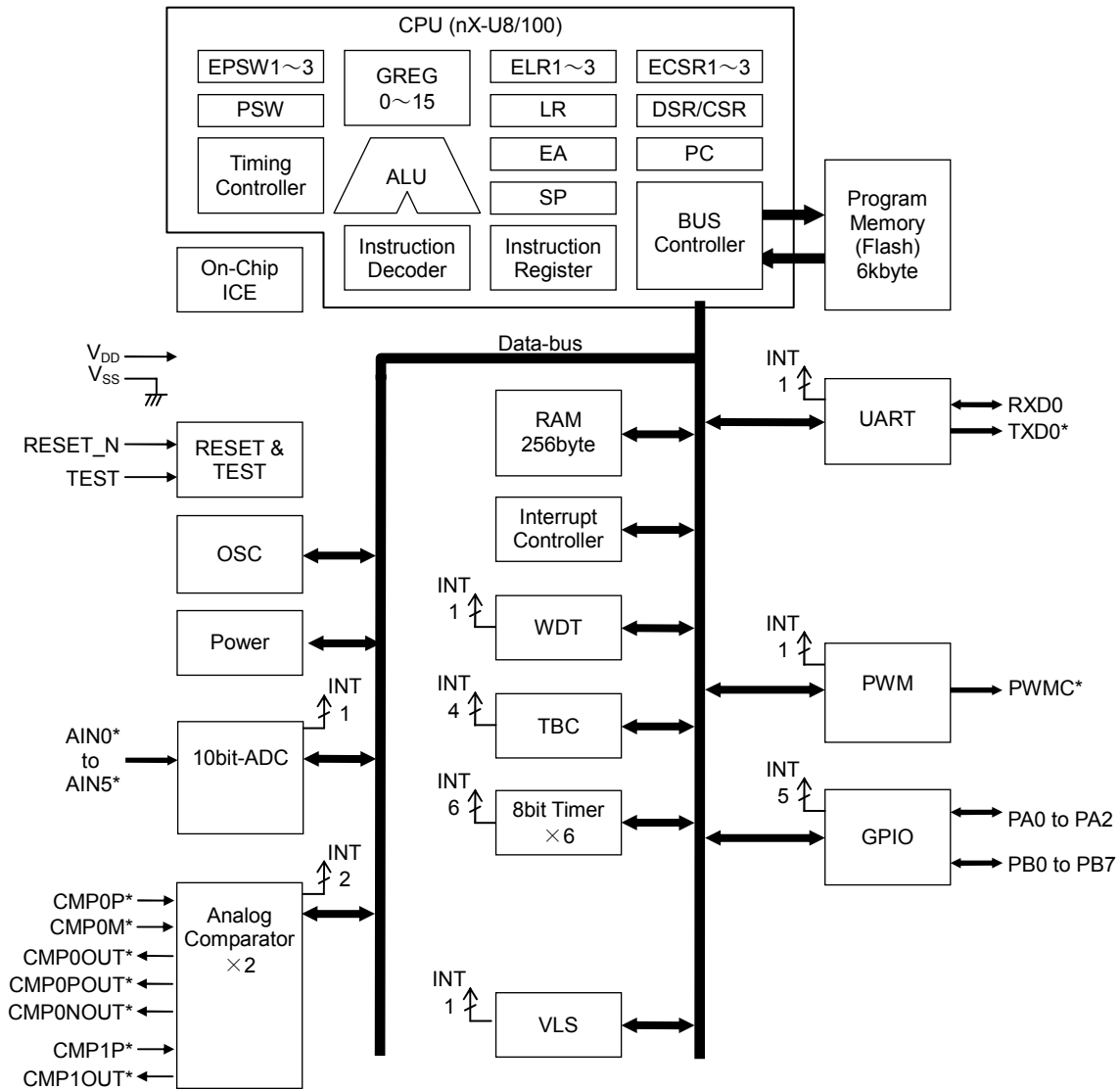


Figure 2 ML610Q102 Block Diagram

## PIN CONFIGURATION

## ML610Q101/ML610Q102 SSOP16 Pin Layout

Figure 3 show the SSOP16 pin layout of the ML610Q101/ML610Q102.

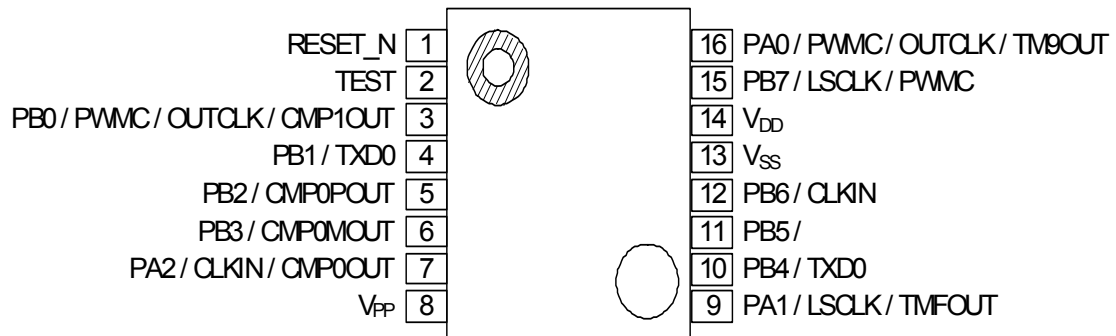


Figure 3 ML610Q101/ML610Q102 SSOP16 Pin Configuration

## LIST OF PINS

PIN No.	Primary function			Secondary function			Tertiary function			Quaternary function		
	Pin name	I/O	Function	Pin name	I/O	Function	Pin name	I/O	Function	Pin name	I/O	Function
1	RESET_N	I	Reset input pin	—	—	—	—	—	—	—	—	—
2	TEST	I/O	Input/output pin for testing	—	—	—	—	—	—	—	—	—
3	PB0/ EXI4/ AIN2/ RXD0	I/O	Input/output port, External interrupt 4, ADC input 2, UART receive	PWMC	O	PWMC output	OUTCLK	O	High-speed clock output	CMP1OUT	O	CMP1 output
4	PB1/ EXI5/ AIN3	I/O	Input/output port, External interrupt 5, ADC input 3	—	—	—	TXD0	O	UART data output	—	—	—
5	PB2	I/O	Input/output port,	—	—	—	—	—	—	CMP0OUT	O	CMP0_N output
6	PB3	I/O	Input/output port	—	—	—	—	—	—	CMP0NOUT	O	CMP0_N output
7	PA2/EXI2	I/O	Input/output port, External interrupt	—	—	—	CLKIN	I	clock input	CMP0OUT	O	CMP0 output
8	V <sub>PP</sub>	—	Power supply pin for Flash ROM	—	—	—	—	—	—	—	—	—
9	PA1/ EXI1/ AIN1/ CMP1P	I/O	Input port, External interrupt 1, ADC input 1, Comparator1 non-inverting input	—	—	—	LSCLK	O	Low speed clock output	TMFOUT	O	timer F output
10	PB4/ CMP0P	I/O	Input/output port, Comparator0 non-inverting input	—	—	—	TXD0	O	UART data output	—	—	—
11	PB5/ RXD0/ CMP0M	I/O	Input/output port, UART data receive, Comparator1 inverting input	—	—	—	—	—	—	—	—	—
12	PB6/ AIN4	I/O	Input/output port, ADC input 4	CLKIN	I	clock input	—	—	—	—	—	—
13	V <sub>SS</sub>	—	Negative power supply pin	—	—	—	—	—	—	—	—	—
14	V <sub>DD</sub>	—	Positive power supply pin	—	—	—	—	—	—	—	—	—
15	PB7/ AIN5	I/O	Input/output port, ADC input 5	LSCLK	O	Low-speed clock output	—	—	—	PWMC	O	PWMC output
16	PA0/ EXI0/ AIN0	I/O	Input port, External interrupt 0, ADC input 0	PWMC	O	PWMC output	OUTCLK	O	High-speed clock output	TM9OUT	O	timer 9 output

## PIN DESCRIPTION

Pin name	I/O	Description	Primary/ Secondary/ Tertiary/ Quaternary	Logic
<b>System</b>				
RESET_N	I	Reset input pin. When this pin is set to a "L" level, system reset mode is set and the internal section is initialized. When this pin is set to a "H" level subsequently, program execution starts. A pull-up resistor is internally connected.	—	Negative
CLKIN	I	High-speed clock output pin. This pin is used as the tertiary function of the PA2 or the secondary function of PB6 pin.	Secondary/ Tertiary	—
LSCLK	O	Low-speed clock output pin. This pin is used as the tertiary function of the PA1 or the secondary function of the PB7 pin.	Secondary/ Tertiary	—
OUTCLK	O	High-speed clock output pin. This pin is used as the tertiary function of the PA0 or PB0 pin.	Tertiary	—
<b>General-purpose input/output port</b>				
PA0 to PA2 PB0 to PB7	I/O	General-purpose input/output port. Since these pins have secondary functions and tertiary functions and quaternary functions, the pins cannot be used as a port when the secondary functions and tertiary functions and quaternary functions are used.	Primary	Positive
<b>UART</b>				
TXD0	O	UART0 data output pin. This pin is used as the tertiary function of the PB1 or PB4 pin.	Tertiary	Positive
RXD0	I	UART0 data input pin. This pin is used as the primary function of the PB0 or PB5 or the quaternary function of the PB7 pin.	Primary	Positive
<b>PWM</b>				
PWMC	O	PWMC output pin. This pin is used as the secondary function of the PB0 or PA0 or the quaternary function of the PB7 pin.	Secondary Quaternary	Positive
<b>External interrupt</b>				
EXI0 to 2	I	External maskable interrupt input pins. Interrupt enable and edge selection can be performed for each bit by software. These pins are used as the primary functions of the PA0 – PA2 pins.	Primary	Positive/ negative
EXI4,5	I	External maskable interrupt input pins. Interrupt enable and edge selection can be performed for each bit by software. These pins are used as the primary functions of the PB0, PB1 pins.	Primary	Positive/ negative
<b>Timer</b>				
TnTG	I	External clock input pin used for both Timer E and Timer F. These pins are used as the primary function of the PA0-PA2, PB0-PB7 pins.	Primary	—
TM9OUT	O	Timer 9 output pin. This pin is used as the quaternary function of the PA0 pin.	Quaternary	Positive
TMFOUT	O	Timer F output pin. This pin is used as the quaternary function of the PA1 pin.	Quaternary	Positive



Pin name	I/O	Description	Primary/ Secondary/ Tertiary/ Quaternary	Logic
Successive approximation type A/D converter				
AIN0	I	Channel 0 analog input for successive approximation type A/D converter. This pin is used as the primary function of the PA0 pin.	Primary	—
AIN1	I	Channel 1 analog input for successive approximation type A/D converter. This pin is used as the primary function of the PA1 pin.	Primary	—
AIN2	I	Channel 2 analog input for successive approximation type A/D converter. This pin is used as the primary function of the PB0 pin.	Primary	—
AIN3	I	Channel 3 analog input for successive approximation type A/D converter. This pin is used as the primary function of the PB1 pin.	Primary	—
AIN4	I	Channel 4 analog input for successive approximation type A/D converter. This pin is used as the primary function of the PB6 pin.	Primary	—
AIN5	I	Channel 5 analog input for successive approximation type A/D converter. This pin is used as the primary function of the PB7 pin.	Primary	—
Comparator				
CMP0P	I	Non-inverting input for comparator0. This pin is used as the primary function of the PB4 pin.	Primary	—
CMP0M	I	Inverting input for comparator0. This pin is used as the primary function of the PB5 pin.	Primary	—
CMP0OUT	O	Output for comparator0. This pin is used as the quaternary function of the PA2 pin.	Quaternary	—
CMP0OUT	O	Output for comparator0. This pin is used as the quaternary function of the PB2 pin.	Quaternary	—
CMP0OUT	O	Output for comparator0. This pin is used as the quaternary function of the PB3 pin.	Quaternary	—
CMP1P	I	Non-inverting input for comparator1. This pin is used as the primary function of the PA1 pin.	Primary	—
CMP1OUT	O	Output for comparator1. This pin is used as the quaternary function of the PB0 pin.	Quaternary	—
For testing				
TEST	I/O	Input/output pin for testing. A pull-down resistor is internally connected.	—	Positive
Power supply				
V <sub>SS</sub>	—	Negative power supply pin.	—	—
V <sub>DD</sub>	—	Positive power supply pin.	—	—
V <sub>PP</sub>	—	Power supply pin for Flash ROM	—	—

**ML610Q101/ML610Q102 TERMINATION OF UNUSED PINS**

Table 3 shows methods of terminating the unused pins for ML610Q101/ML610Q102.

**Table 3 Termination of Unused Pins**

Pin	Recommended pin termination
RESET_N	Open
TEST	Open
PA0 to PA2	Open
PB0 to PB7	Open
V <sub>PP</sub>	Open

**Note:**

It is recommended to set the unused input ports and input/output ports to the inputs with pull-down resistors/pull-up resistors or the output mode since the supply current may become excessively large if the pins are left open in the high impedance input setting.

## ELECTRICAL CHARACTERISTICS

## ABSOLUTE MAXIMUM RATINGS

(V<sub>SS</sub> = 0V)

Parameter	Symbol	Condition	Rating	Unit
Power supply voltage 1	V <sub>DD</sub>	T <sub>a</sub> = 25°C	-0.3 to +7.0	V
Power supply voltage 2	V <sub>PP</sub>	T <sub>a</sub> = 25°C	-0.3 to +9.5	V
Input voltage	V <sub>IN</sub>	T <sub>a</sub> = 25°C	-0.3 to V <sub>DD</sub> +0.3	V
Output voltage	V <sub>OUT</sub>	T <sub>a</sub> = 25°C	-0.3 to V <sub>DD</sub> +0.3	V
Output current 1	I <sub>OUT1</sub>	T <sub>a</sub> = 25°C	-12 to +11	mA
Power dissipation	PD	T <sub>a</sub> = 25°C	0.5	mW
Storage temperature	T <sub>STG</sub>	—	-55 to +150	°C

## RECOMMENDED OPERATING CONDITIONS

(V<sub>SS</sub> = 0V)

Parameter	Symbol	Condition	Range	Unit
Operating temperature	T <sub>OP</sub>	—	-40 to +85	°C
Operating voltage	V <sub>DD</sub>	—	2.7 to 5.5	V
Operating frequency (CPU)	f <sub>OP</sub>	V <sub>DD</sub> = 2.7V to 5.5V	30k to 8.4M	Hz

## OPERATING CONDITIONS OF FLASH MEMORY

(V<sub>SS</sub>=0V)

Parameter	Symbol	Condition	Rating			Unit
			Min.	Typ.	Max.	
Operating temperature	T <sub>OP</sub>	At write/erase	0	—	+40	°C
Operating voltage	V <sub>DD</sub>	At write/erase	4.5	—	5.5	V
	V <sub>PP</sub>	At write/erase	7.7	—	8.3	
Rewrite counts	C <sub>EP</sub>	—	—	—	80	cycles
Data retention* <sup>1</sup>	Y <sub>DR</sub>	—	10	—	—	years

\*<sup>1</sup> : However, please keep active time of the flash memory from exceeding ten years.

V<sub>pp</sub> pin has internal pull-down resistor.

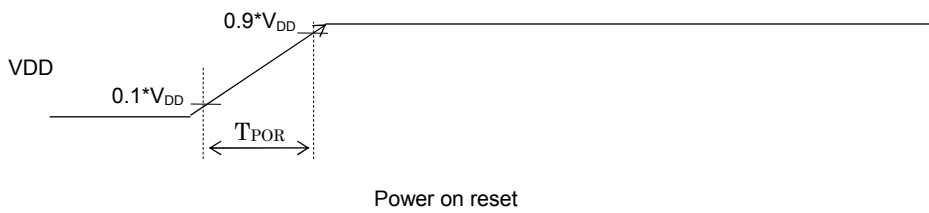
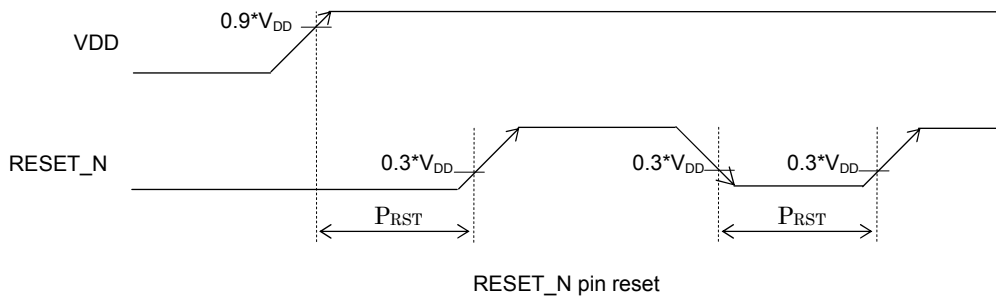
**DC CHARACTERISTICS (1/4)**

(V<sub>DD</sub>=2.7 to 5.5V, V<sub>SS</sub>=0V, Ta=-40 to +85°C, unless otherwise specified)

Parameter	Symbol	Condition	Rating			Unit	Measuring circuit
			Min.	Typ.	Max.		
Low-speed RC oscillation frequency	f <sub>RCL</sub>	Ta = 25°C	31	32.768	34	kHz	1
PLL oscillation frequency* <sup>1</sup>	f <sub>PLL</sub>	Ta = 25°C	Typ. -1%	16.384	Typ. +1%	MHz	
		Ta = -10 to +85°C	Typ. -2%	16.384	Typ. +2%		
		Ta = -40 to +85°C	Typ. -2.5%	16.384	Typ. +2.5%		
Reset pulse width	T <sub>RST</sub>	—	100	—	—	μs	
Reset noise elimination pulse width	T <sub>NRST</sub>	—	—	—	0.4		
Power-on reset activation power rise time	T <sub>POR</sub>	—	—	—	10	ms	

\*<sup>1</sup> : 1024 clock average. CPU clk is f<sub>PLL</sub> / 2 max.

**RESET**



## DC CHARACTERISTICS (2/4)

(V<sub>DD</sub>=2.7 to 5.5V, V<sub>SS</sub>=0V, Ta=-40 to +85°C, unless otherwise specified)

Parameter	Symbol	Condition		Rating			Unit	Measuring circuit
				Min.	Typ.	Max.		
VLS Judgment voltage	V <sub>VLS0F</sub>	Ta=25°C, V <sub>DD</sub> =fall		Typ. -3.0 %	2.85	Typ. +3.0 %	V	1
		V <sub>DD</sub> =fall		Typ. -5.0 %	2.85	Typ. +5.0 %		
	V <sub>VLS0R</sub>	Ta=25°C, V <sub>DD</sub> =rise		Typ. -3.0 %	2.92	Typ. +3.0 %		
		V <sub>DD</sub> =rise		Typ. -5.0 %	2.92	Typ. +5.0 %		
	V <sub>VLS1</sub>	Ta=25°C	VLS0=0	Typ. -3.0 %	3.295	Typ. +3.0 %		
			VLS0=1		3.625			
		—	VLS0=0	Typ. -5.0 %	3.295	Typ. +5.0 %		
			VLS0=1		3.625			
Comparator0 In-phase input voltage range	V <sub>CMR</sub>	—		0.1	—	V <sub>DD</sub> -1.5	V	
Comparator0 hysteresis	V <sub>HYSF</sub>	Ta=25°C, V <sub>DD</sub> = 5.0V		10	20	30	mV	4
		V <sub>DD</sub> = 5.0V		5	20	35		
Comparator0 Input offset voltage	V <sub>CMOF</sub>	Ta=25°C, V <sub>DD</sub> = 5.0V		—	—	7		
Comparator Reference-voltage error* <sup>3</sup>	V <sub>CMREF</sub>	Ta=25°C		-25	—	25		
		—		-50	—	50		
Supply current 1	IDD1	CPU: In STOP state. Low-speed/high-speed oscillation: stopped.	Ta=-40 to +85°C	—	1	30	μA	1
Supply current 2	IDD2	CPU: In 32.768kHz operating state.* <sup>1</sup> High-speed oscillation: Stopped.	Ta=-40 to +85°C	—	3.7	6	mA	

\*<sup>1</sup>: LTBC and WDT are operating, and significant bits of BLKCON0 to BLKCON4 registers are all "1".\*<sup>2</sup>: When the CPU operating rate is 100%. Minimum instruction execution time: Approx 0.122 μs (at 8.192MHz system clock)\*<sup>3</sup>: Comparator input offset voltage is included.

## DC CHARACTERISTICS (3/4)

(V<sub>DD</sub>=2.7 to 5.5V, V<sub>SS</sub>=0V, Ta=-40 to +85°C, unless otherwise specified)

Parameter	Symbol	Condition	Rating			Unit	Measuring circuit
			Min.	Typ.	Max.		
Output voltage	VOH	IOH1 = -3.0mA, V <sub>DD</sub> = 4.5V *1	V <sub>DD</sub> -0.7	—	—	V	2
	VOL	IOL1 = +8.5mA, V <sub>DD</sub> = 4.5V *1	—	—	0.6		
Output leakage	IOOH	VOH = V <sub>DD</sub> (in high-impedance state)	—	—	+1	μA	3
	IOOL	VOL = V <sub>SS</sub> (in high-impedance state)	-1	—	—		
Input current 1 (RESET_N)	IIH1	VIH1 = V <sub>DD</sub>	—	—	1	μA	4
	IIL1	VIL1 = V <sub>SS</sub> , V <sub>DD</sub> = 5.0V	-650	-500	-350		
Input current 1 (TEST)	IIH1	VIH1 = V <sub>DD</sub> = 5.0V	20	115	200		
	IIL1	VIL1 = V <sub>SS</sub>	-1	—	—		
Input current 2 (PA0-PA2) (PB0-PB7)	IIH2	VIH2 = V <sub>DD</sub> = 5.0V (when pulled-down)	20	115	200		
	IIL2	VIL2 = V <sub>SS</sub> , V <sub>DD</sub> =5.0V (when pulled-up)	-200	-100	-20		

\*1 : When the one terminal output state.

## DC CHARACTERISTICS (4/4)

(V<sub>DD</sub>=2.7 to 5.5V, V<sub>SS</sub>=0V, Ta=-40 to +85°C, unless otherwise specified)

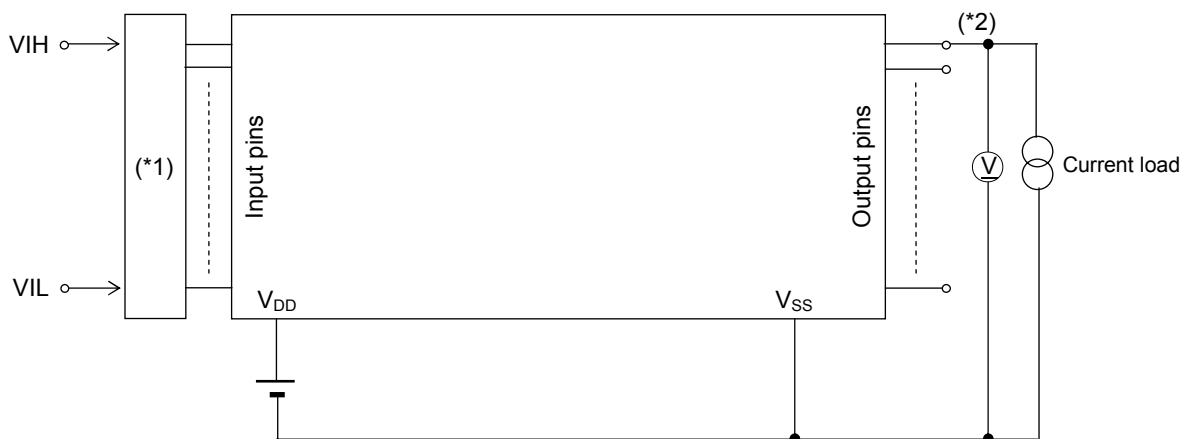
Parameter	Symbol	Condition	Rating			Unit	Measuring circuit
			Min.	Typ.	Max.		
Input voltage 1 (RESET_N) (TEST) (PA0 to PA2) (PB0, to PB7)	VIH1	—	0.7 ×V <sub>DD</sub>	—	V <sub>DD</sub>	V	2
	VIL1	—	0	—	0.3 ×V <sub>DD</sub>		
Input pin capacitance (PA0 to PA2) (PB0 to PB7)	CIN	f = 10kHz Ta = 25°C	—	—	20	pF	—

MEASURING CIRCUITS

MEASURING CIRCUIT 1



MEASURING CIRCUIT 2



- \*1: Input logic circuit to determine the specified measuring conditions.
- \*2: Measured at the specified output pins.

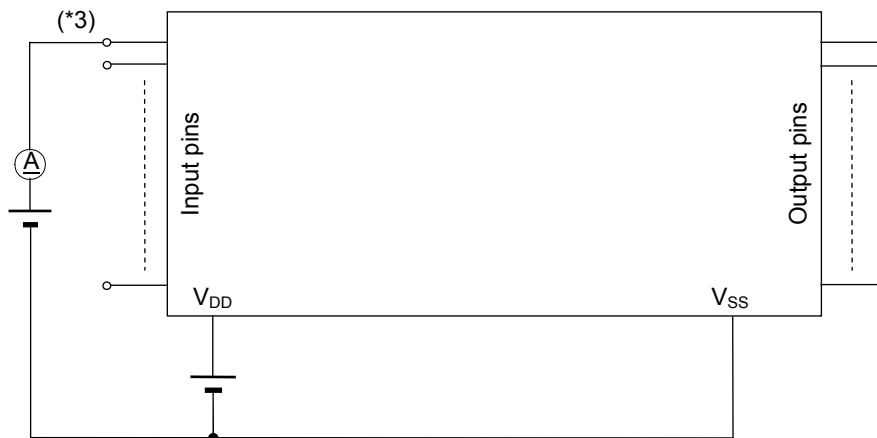
## MEASURING CIRCUIT 3



\*1: Input logic circuit to determine the specified measuring conditions.

\*2: Measured at the specified output pins.

## MEASURING CIRCUIT 4



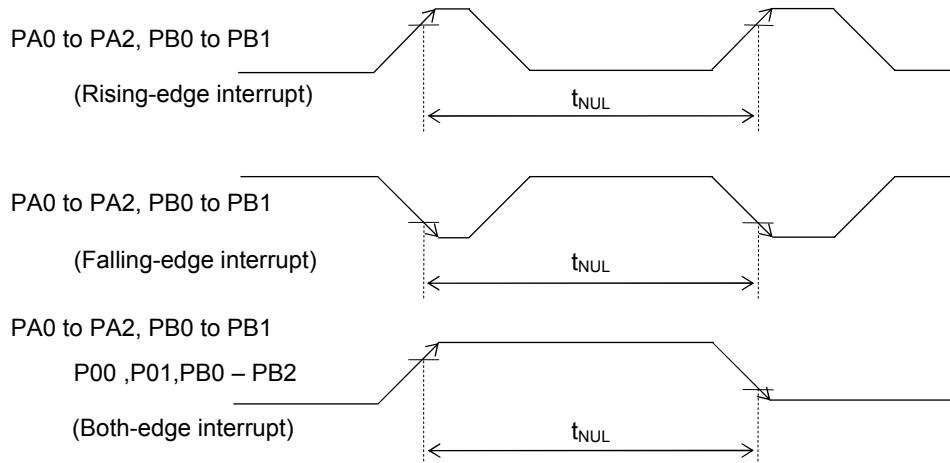
\*3: Measured at the specified output pins.



**AC CHARACTERISTICS (External Interrupt)**

(V<sub>DD</sub>=2.7 to 5.5V, V<sub>SS</sub>=0V, Ta=-40 to +85°C, unless otherwise specified)

Parameter	Symbol	Condition	Rating			Unit
			Min.	Typ.	Max.	
External interrupt disable period	T <sub>NUL</sub>	Interrupt: Enabled (MIE = 1), CPU: NOP operation System clock: 32.768kHz	2.5 x sysclk	—	3.5 x sysclk	μs

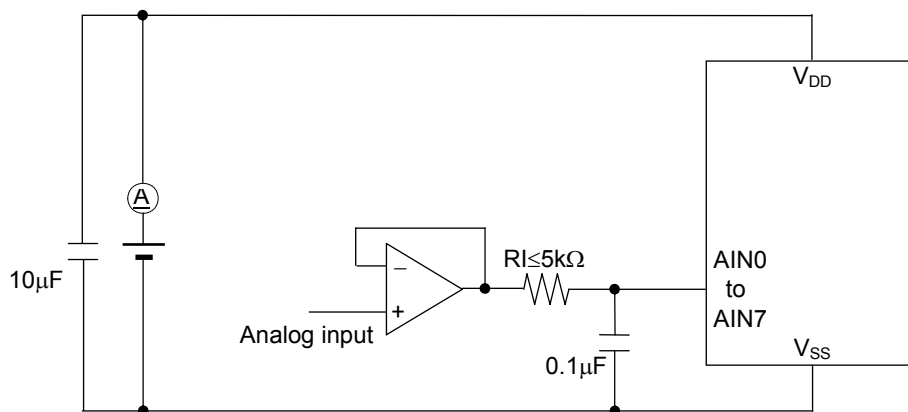


### Electrical Characteristics of Successive Approximation Type A/D Converter

( $V_{DD}=2.7$  to  $5.5V$ ,  $V_{SS}=0V$ ,  $T_a=-40$  to  $+85^{\circ}C$ , unless otherwise specified)

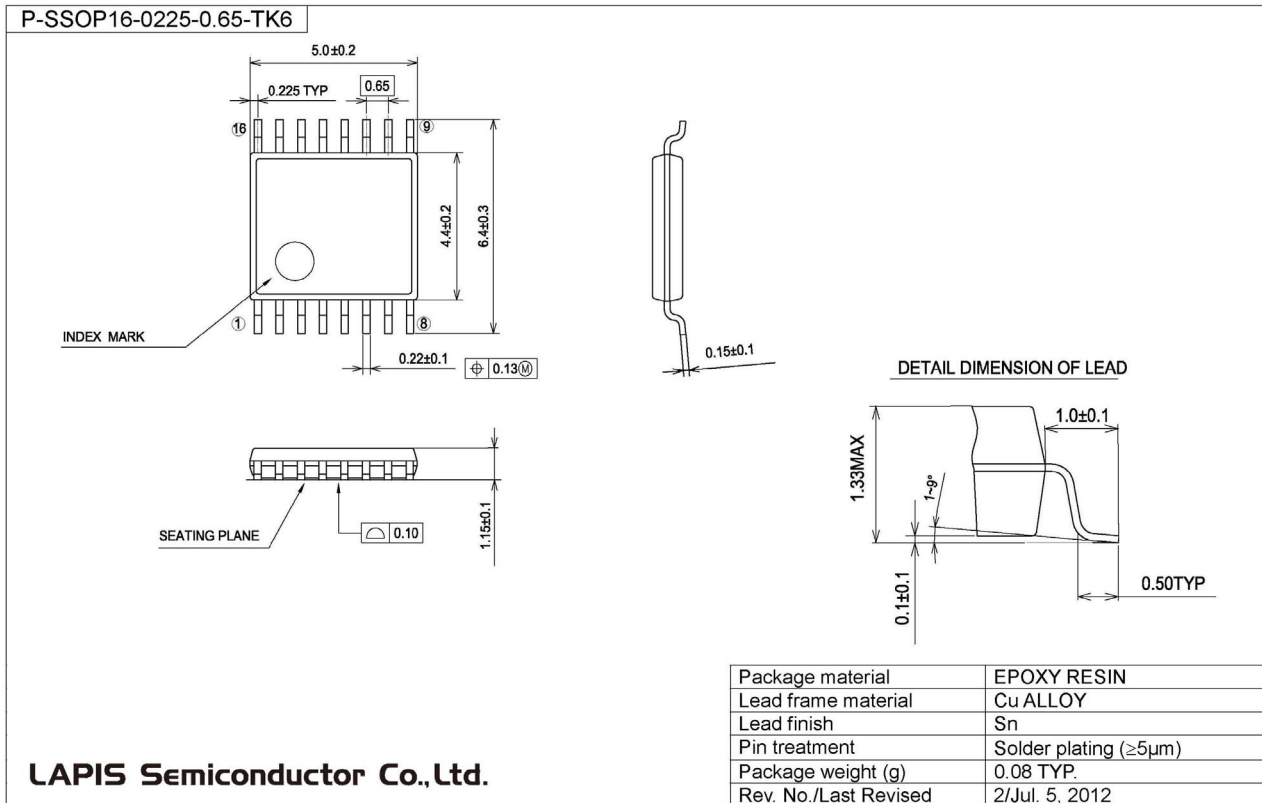
Parameter	Symbol	Condition	Rating			Unit
			Min.	Typ.	Max.	
Resolution	n	—	—	—	10	bit
Integral non-linearity error	INL	$R_I \leq 5k\Omega$ , HSCLK=8.192MHz	-4	—	+4	LSB
Differential non-linearity error	DNL	$R_I \leq 5k\Omega$ , HSCLK=8.192MHz	-3	—	+3	
Zero-scale error	$V_{OFF}$	$R_I \leq 5k\Omega$ , HSCLK=8.192MHz	-4	—	+4	
Full-scale error	FSE	$R_I \leq 5k\Omega$ , HSCLK=8.192MHz	-4	—	+4	
Conversion time	$t_{CONV}$	—	—	102	—	$\phi/CH$

$\phi$ :  $f_{PLL}/4$



## PACKAGE DIMENSIONS

(Unit: mm)



## Notes for Mounting the Surface Mount Type Package

The surface mount type packages are very susceptible to heat in reflow mounting and humidity absorbed in storage. Therefore, before you perform reflow mounting, contact ROHM's responsible sales person for the product name, package name, pin number, package code and desired mounting conditions (reflow method, temperature and times).

**REVISION HISTORY**

Document No.	Date	Page		Description
		Previous Edition	Current Edition	
FEDL610Q101-1	Jan,23,2013	-	-	Final edition 1

**NOTES**

No copying or reproduction of this document, in part or in whole, is permitted without the consent of LAPIS Semiconductor Co., Ltd.

The content specified herein is subject to change for improvement without notice.

The content specified herein is for the purpose of introducing LAPIS Semiconductor's products (hereinafter "Products"). If you wish to use any such Product, please be sure to refer to the specifications, which can be obtained from LAPIS Semiconductor upon request.

Examples of application circuits, circuit constants and any other information contained herein illustrate the standard usage and operations of the Products. The peripheral conditions must be taken into account when designing circuits for mass production.

Great care was taken in ensuring the accuracy of the information specified in this document. However, should you incur any damage arising from any inaccuracy or misprint of such information, LAPIS Semiconductor shall bear no responsibility for such damage.

The technical information specified herein is intended only to show the typical functions of and examples of application circuits for the Products. LAPIS Semiconductor does not grant you, explicitly or implicitly, any license to use or exercise intellectual property or other rights held by LAPIS Semiconductor and other parties. LAPIS Semiconductor shall bear no responsibility whatsoever for any dispute arising from the use of such technical information.

The Products specified in this document are intended to be used with general-use electronic equipment or devices (such as audio visual equipment, office-automation equipment, communication devices, electronic appliances and amusement devices).

The Products specified in this document are not designed to be radiation tolerant.

While LAPIS Semiconductor always makes efforts to enhance the quality and reliability of its Products, a Product may fail or malfunction for a variety of reasons.

Please be sure to implement in your equipment using the Products safety measures to guard against the possibility of physical injury, fire or any other damage caused in the event of the failure of any Product, such as derating, redundancy, fire control and fail-safe designs. LAPIS Semiconductor shall bear no responsibility whatsoever for your use of any Product outside of the prescribed scope or not in accordance with the instruction manual.

The Products are not designed or manufactured to be used with any equipment, device or system which requires an extremely high level of reliability the failure or malfunction of which may result in a direct threat to human life or create a risk of human injury (such as a medical instrument, transportation equipment, aerospace machinery, nuclear-reactor controller, fuel-controller or other safety device). LAPIS Semiconductor shall bear no responsibility in any way for use of any of the Products for the above special purposes. If a Product is intended to be used for any such special purpose, please contact a ROHM sales representative before purchasing.

If you intend to export or ship overseas any Product or technology specified herein that may be controlled under the Foreign Exchange and the Foreign Trade Law, you will be required to obtain a license or permit under the Law.

Copyright 2013 LAPIS Semiconductor Co., Ltd.

# Mouser Electronics

Authorized Distributor

Click to View Pricing, Inventory, Delivery & Lifecycle Information:

[ROHM Semiconductor:](#)

[ML610Q101-NNNMBZ0ATL](#) [ML610Q102-NNNMBZ0ATL](#) [ML610Q101-NNNGDZ0ANL](#) [ML610Q102-NNNGDZ0ANL](#)  
[ML610Q102 reference board](#)

Компания «Океан Электроники» предлагает заключение долгосрочных отношений при поставках импортных электронных компонентов на взаимовыгодных условиях!

Наши преимущества:

- Поставка оригинальных импортных электронных компонентов напрямую с производств Америки, Европы и Азии, а так же с крупнейших складов мира;
- Широкая линейка поставок активных и пассивных импортных электронных компонентов (более 30 млн. наименований);
- Поставка сложных, дефицитных, либо снятых с производства позиций;
- Оперативные сроки поставки под заказ (от 5 рабочих дней);
- Экспресс доставка в любую точку России;
- Помощь Конструкторского Отдела и консультации квалифицированных инженеров;
- Техническая поддержка проекта, помощь в подборе аналогов, поставка прототипов;
- Поставка электронных компонентов под контролем ВП;
- Система менеджмента качества сертифицирована по Международному стандарту ISO 9001;
- При необходимости вся продукция военного и аэрокосмического назначения проходит испытания и сертификацию в лаборатории (по согласованию с заказчиком);
- Поставка специализированных компонентов военного и аэрокосмического уровня качества (Xilinx, Altera, Analog Devices, Intersil, Interpoint, Microsemi, Actel, Aeroflex, Peregrine, VPT, Syfer, Eurofarad, Texas Instruments, MS Kennedy, Miteq, Cobham, E2V, MA-COM, Hittite, Mini-Circuits, General Dynamics и др.);

Компания «Океан Электроники» является официальным дистрибьютором и эксклюзивным представителем в России одного из крупнейших производителей разъемов военного и аэрокосмического назначения «JONHON», а так же официальным дистрибьютором и эксклюзивным представителем в России производителя высокотехнологичных и надежных решений для передачи СВЧ сигналов «FORSTAR».



## JONHON

«JONHON» (основан в 1970 г.)

Разъемы специального, военного и аэрокосмического назначения:

(Применяются в военной, авиационной, аэрокосмической, морской, железнодорожной, горно- и нефтедобывающей отраслях промышленности)

«FORSTAR» (основан в 1998 г.)

ВЧ соединители, коаксиальные кабели, кабельные сборки и микроволновые компоненты:

(Применяются в телекоммуникациях гражданского и специального назначения, в средствах связи, РЛС, а так же военной, авиационной и аэрокосмической отраслях промышленности).



Телефон: 8 (812) 309-75-97 (многоканальный)

Факс: 8 (812) 320-03-32

Электронная почта: [ocean@oceanchips.ru](mailto:ocean@oceanchips.ru)

Web: <http://oceanchips.ru/>

Адрес: 198099, г. Санкт-Петербург, ул. Калинина, д. 2, корп. 4, лит. А