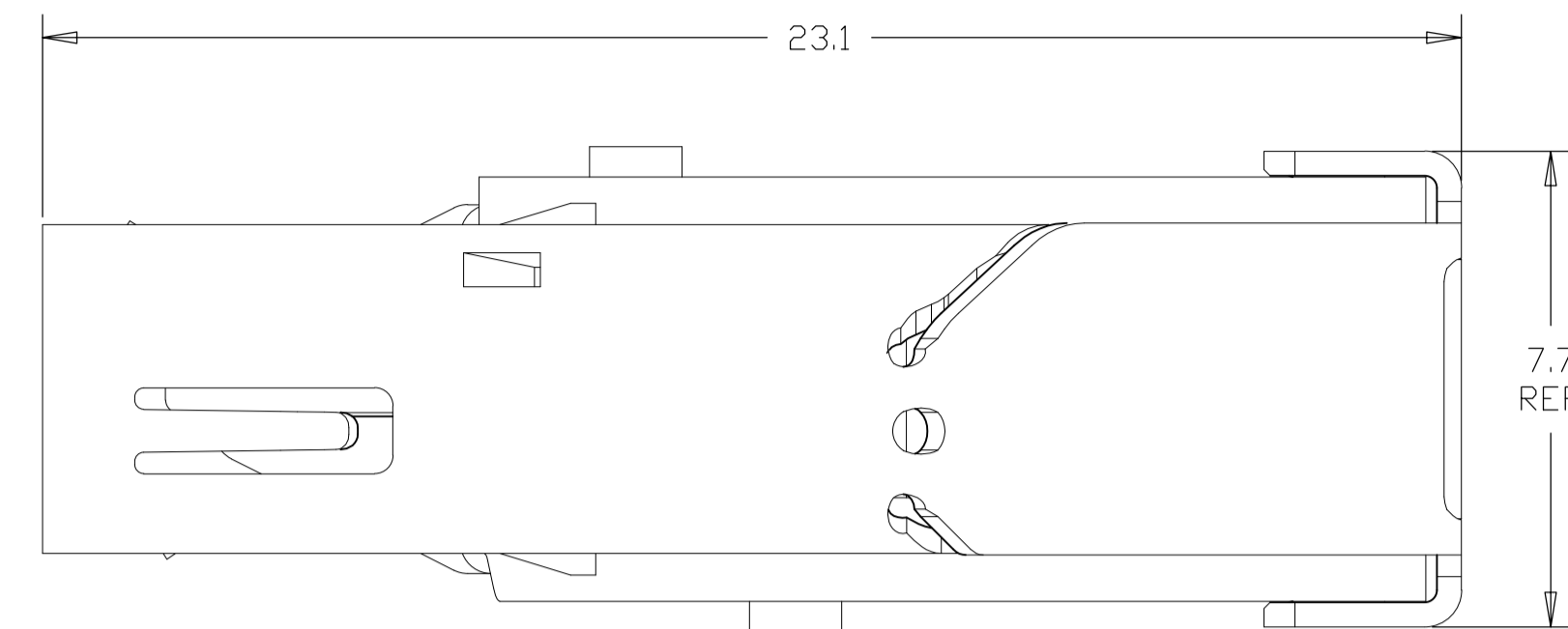
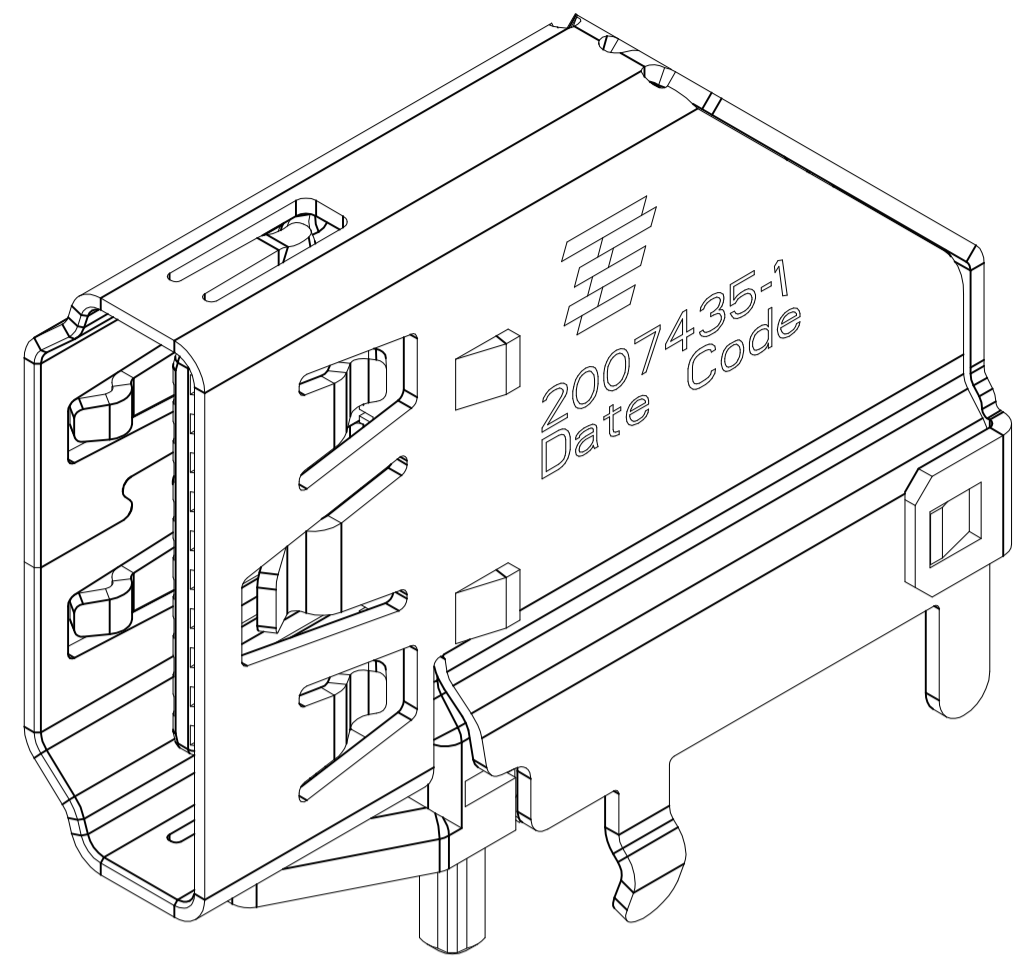
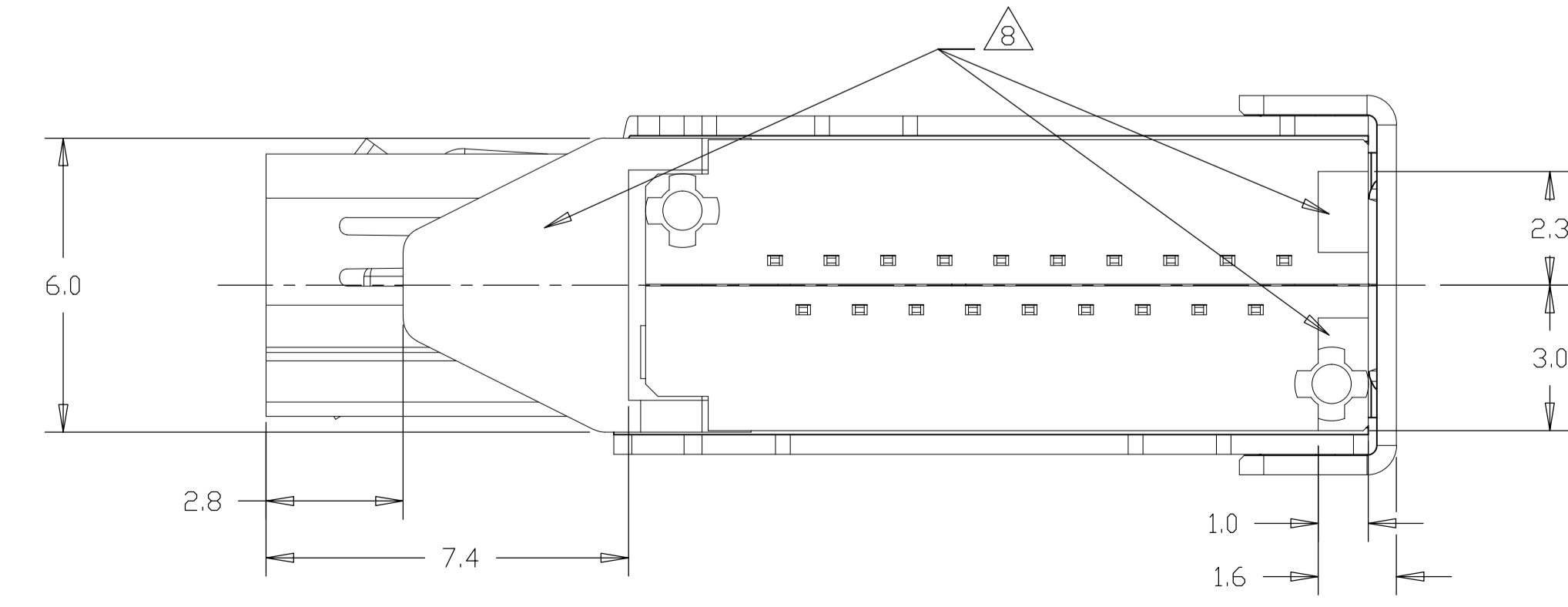
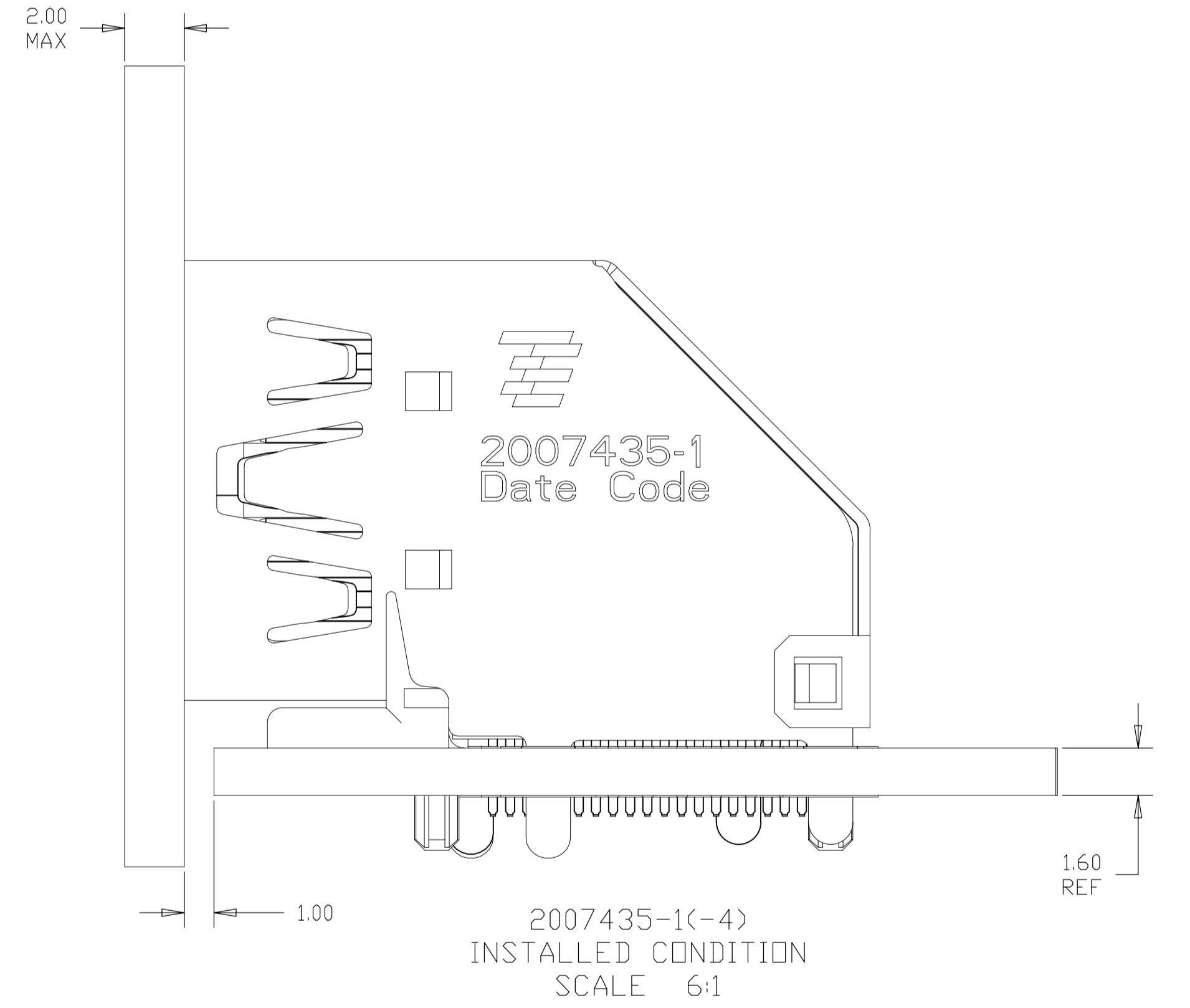
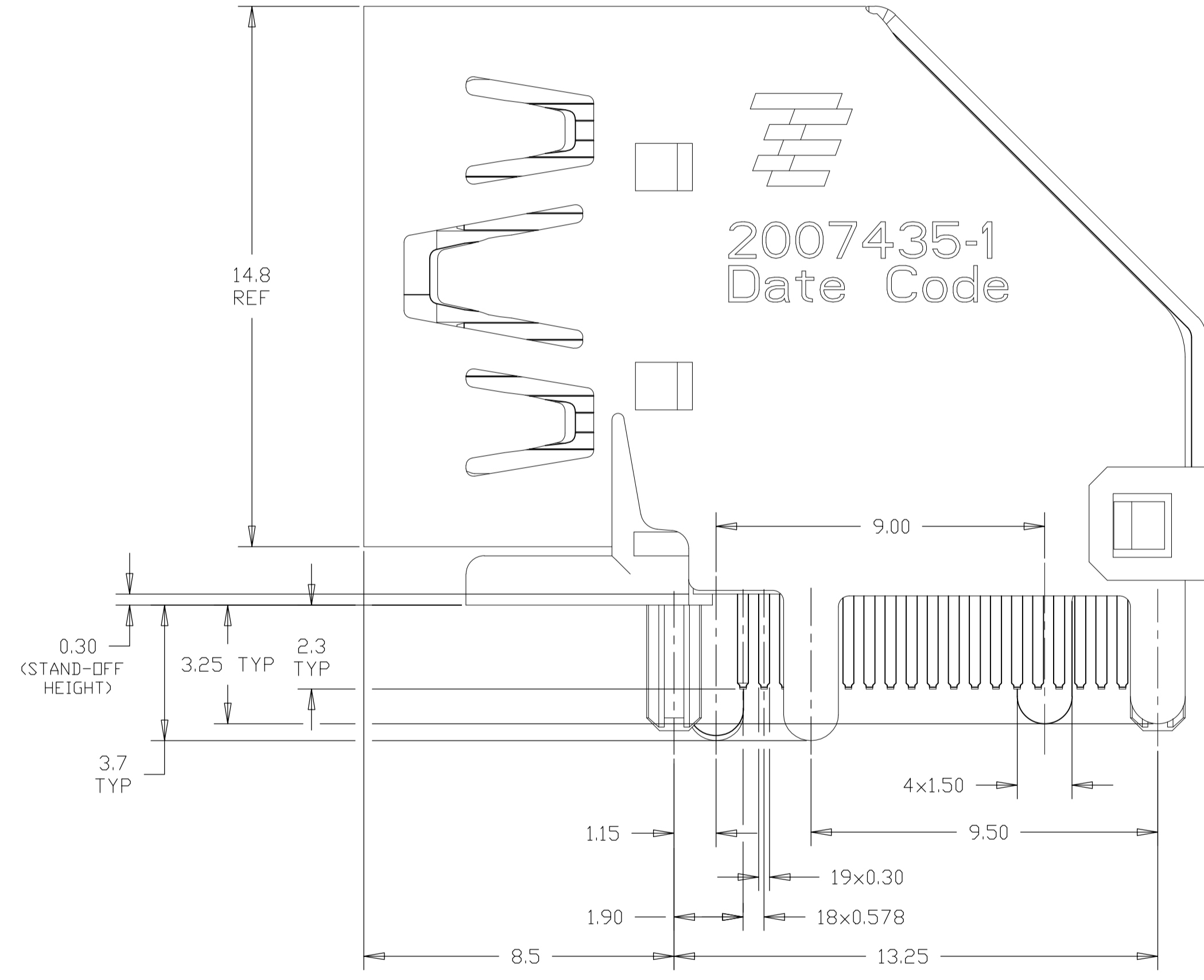
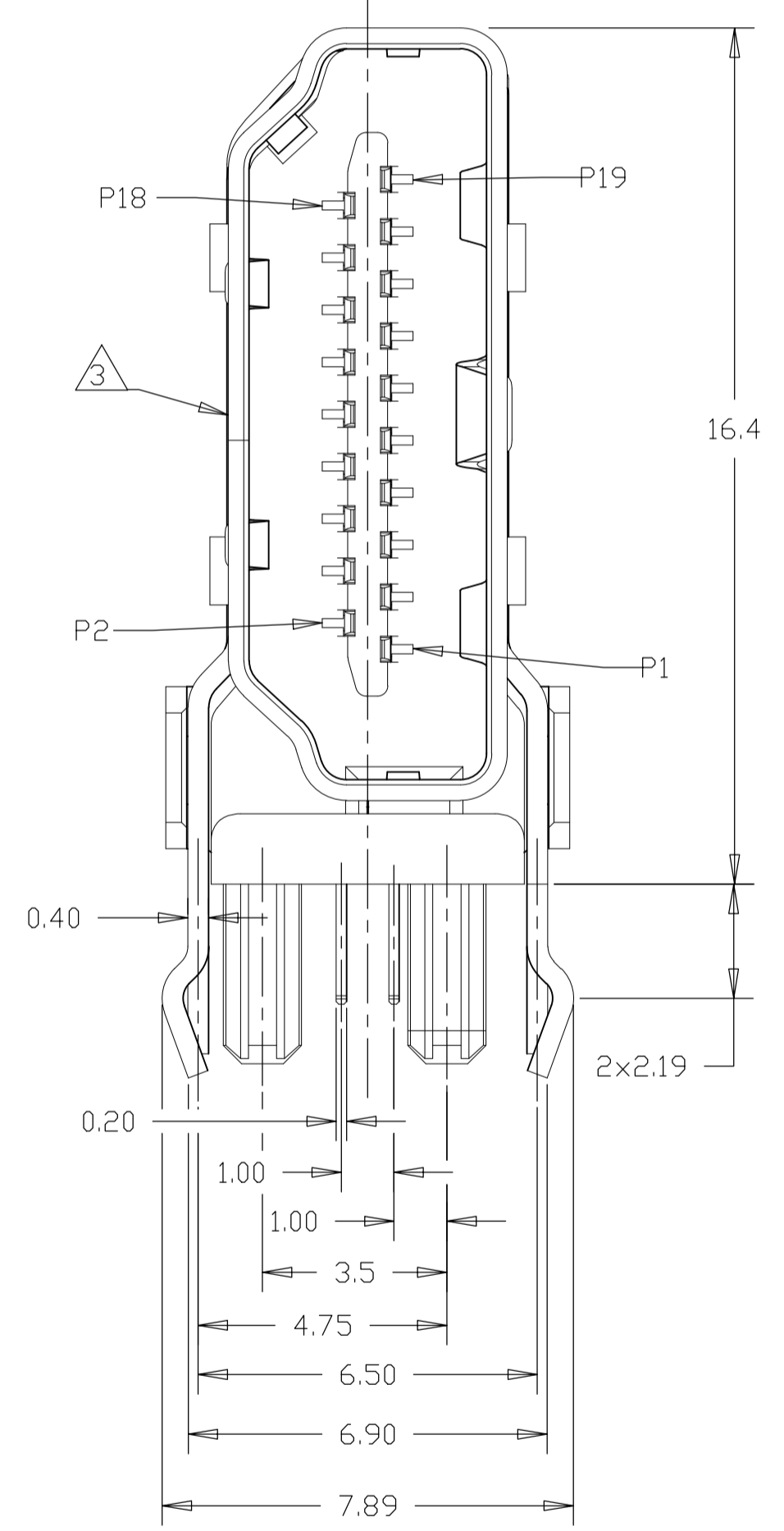


| REVISONS | | DATE | DMN | APVD |
|----------|----------------------------|-----------|-----|------|
| C | RELEASE PER ECR-10-024107 | 8/31/2010 | FL | SY |
| C1 | RELEASE PER ECR-11-016951 | 7/20/2011 | JJ | SY |
| D2 | RELEASED PER ECR-16-011711 | 4/10/2017 | A.X | H.W |



- 1 MATERIALS:
 HOUSING: HIGH TEMP THERMOPLASTIC, UL94V-0, BLACK, PBT.
 CONTACTS: COPPER ALLOY.
 SHIELD: STAINLESS STEEL.
- 2 FINISH:
 CONTACTS:
 MATING AREA: CONFORMS TO HDMI SPECIFICATION VERSION 1.3a TABLE 4-6 AND 4-7 (ELECTRICAL AND ENVIRONMENTAL PERFORMANCE), BASED ON EIA/ECA - 364-1000.01A (CONTROLLED ENVIRONMENT APPLICATIONS).
 SOLDER TAILS: TIN OVER NICKEL.
- 3 INTERFACE DIMENSIONS PER HDMI SPECIFICATION VERSION 1.3a.
- 4 WAVE SOLDER COMPATIBLE PER 109-202. CONDITION B. NO CLEAN FLUX IS RECOMMENDED.
- 5 THIS DIMENSION HAS AN ADDITIONAL 1.0 CLEARANCE OVER HDMI V1.3a SPECIFICATION MAXIMUM CABLE TYPE A PLUG HEIGHT.
- 6 REMOVE CAP IS RECOMMENDED AFTER WAVE SOLDER.
- 7 MATERIALS:
 HOUSING: HIGH TEMP THERMOPLASTIC, UL94V-0, BLACK, LCP.
 CONTACTS: COPPER ALLOY.
 SHIELD: STAINLESS STEEL.
- 8 STAND-OFF AREA.

2007435-1(-4)
 SCALE 6:1



| EMBOSS TAPE | WITHOUT POLYIMIDE TAPE | WITHOUT KINK AND WITH CAP | 0.38 μm | △ | 2.00 | 2007435-7 |
|-------------|------------------------|------------------------------|----------|---------------|----------|-----------|
| EMBOSS TAPE | WITH POLYIMIDE TAPE | WITHOUT KINK AND WITHOUT CAP | 0.38 μm | △ | 2.00 | 2007435-6 |
| TRAY | WITHOUT POLYIMIDE TAPE | WITH KINK AND WITH CAP | 0.38 μm | △ | 1.60 | 2007435-5 |
| | | WITH KINK AND WITHOUT CAP | 0.76 μm | △ | 1.60 | 2007435-4 |
| | | WITHOUT KINK AND WITH CAP | 0.38 μm | △ | 1.60 | 2007435-3 |
| | | WITHOUT KINK AND WITHOUT CAP | 0.38 μm | △ | 2.40 | 2007435-2 |
| TRAY | WITHOUT POLYIMIDE TAPE | WITH KINK AND WITHOUT CAP | 0.38 μm | △ | 1.60 | 2007435-1 |
| PACKAGE | REMARK | GOLD PLATING ON CONTACT AREA | MATERIAL | PCB THICKNESS | PART NO. | |

THIS DRAWING IS A CONTROLLED DOCUMENT.

DMN: Francis Lee 31AUG2010
 CHK: Martin Li 31AUG2010
 APVD: Steven Yao 31AUG2010

NAME: STE TE Connectivity

PRODUCT SPEC: 108-60079

APPLICATION SPEC: -

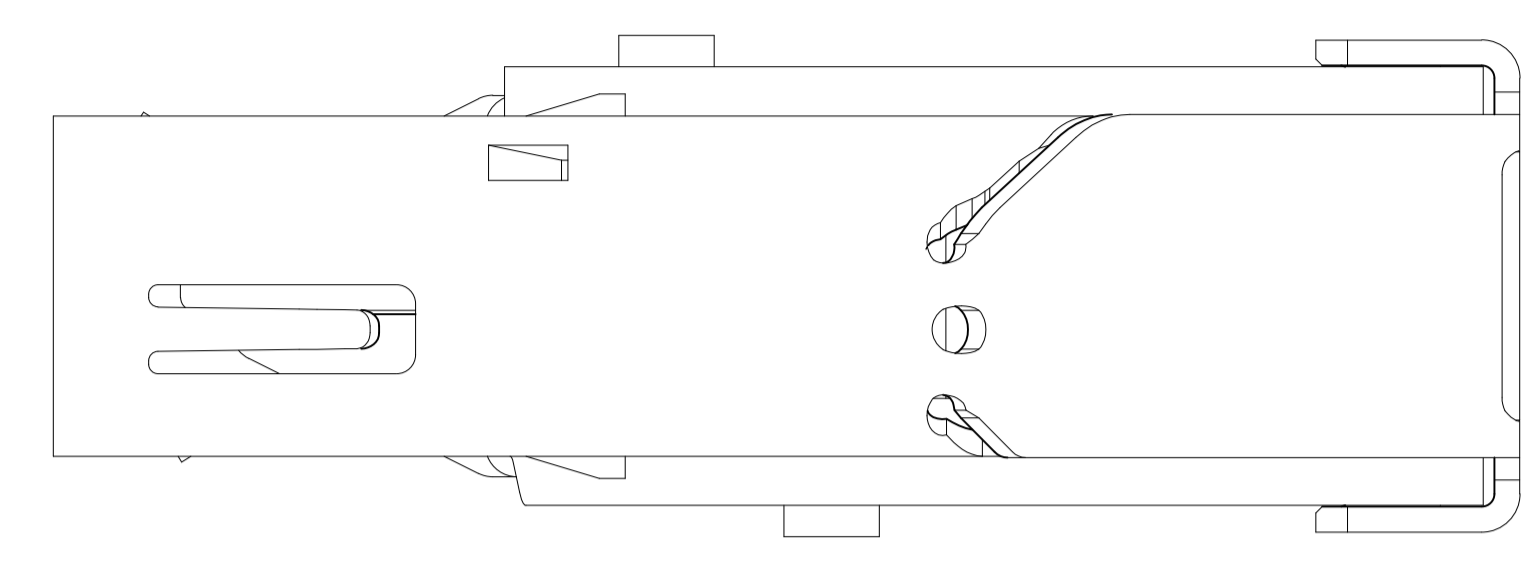
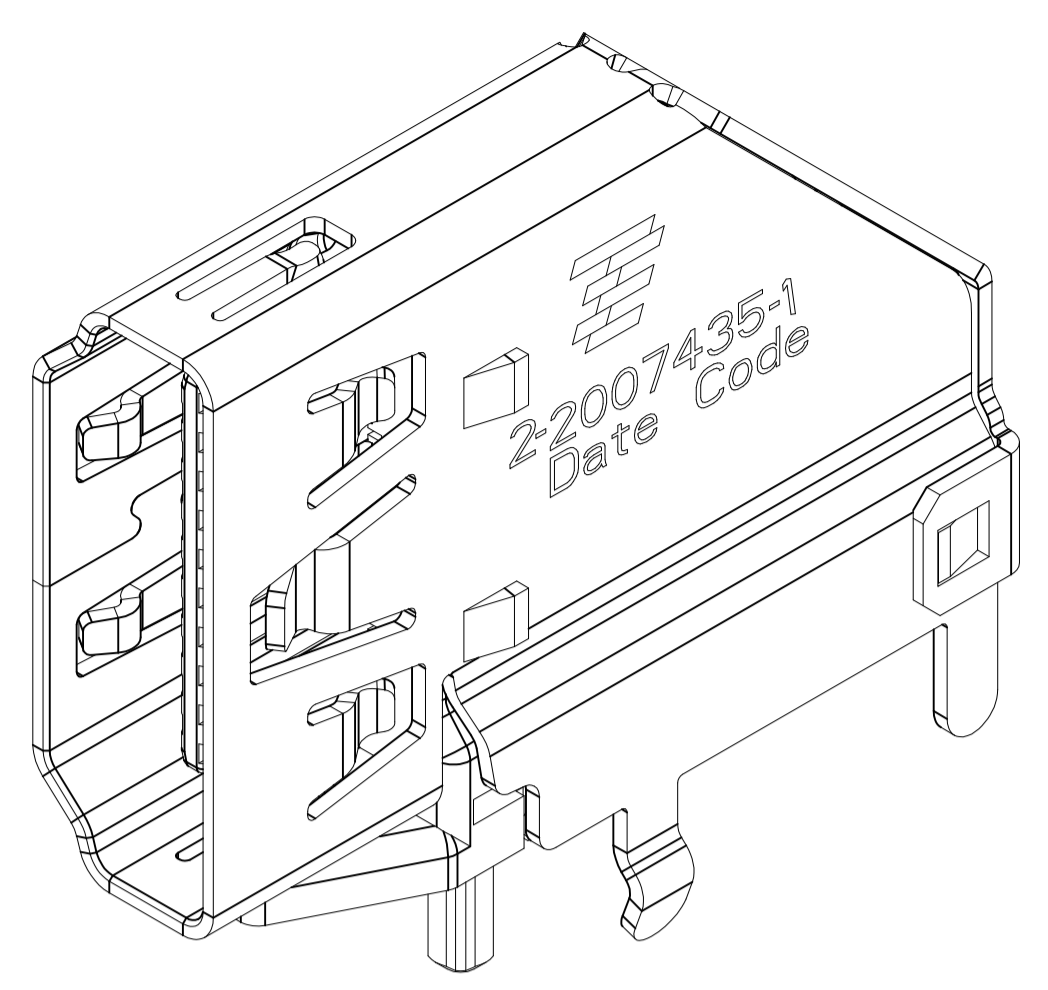
SIZE: A1 CAGE CODE: 00779 DRAWING NO: 2007435

WEIGHT: -

CUSTOMER DRAWING

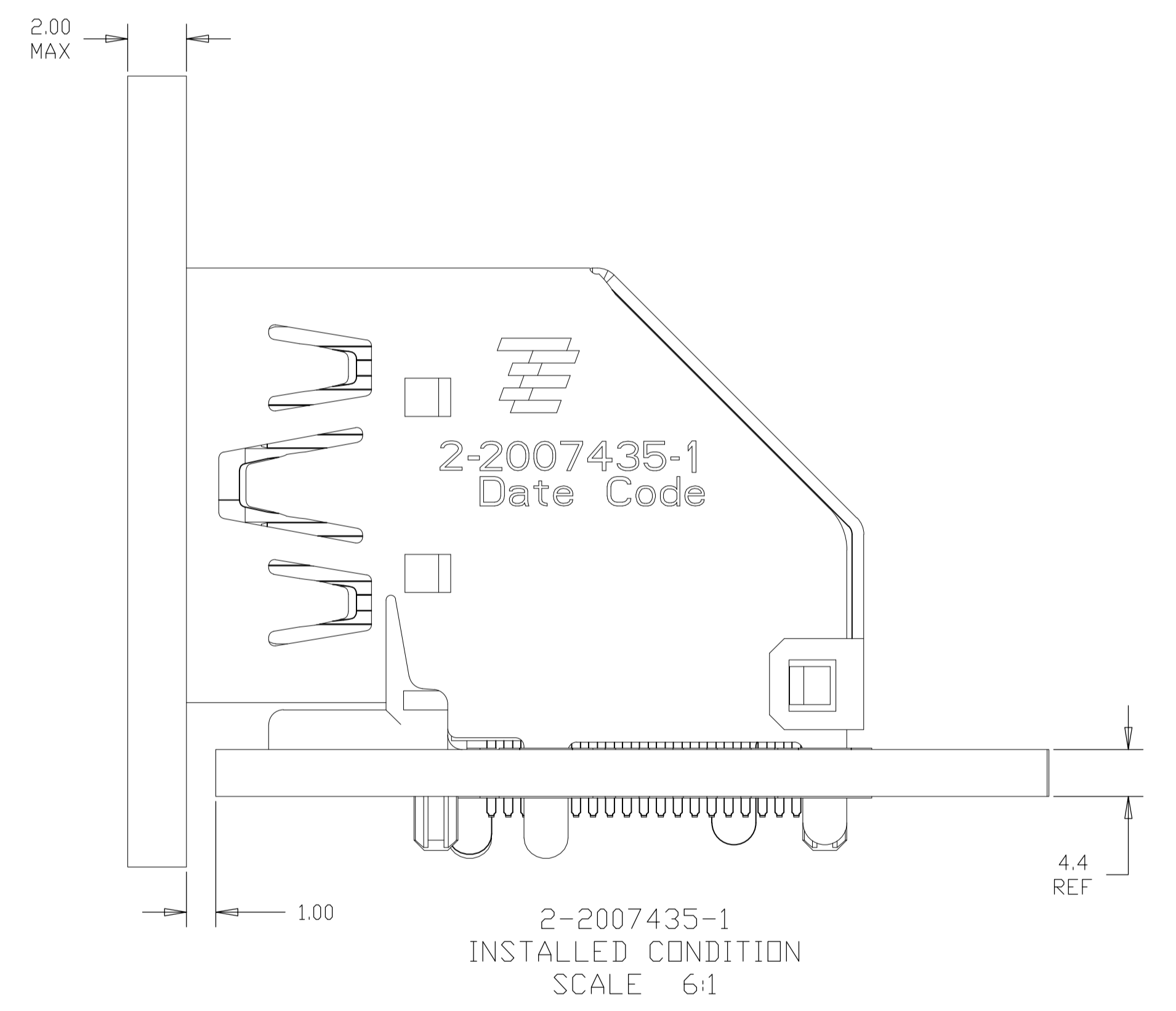
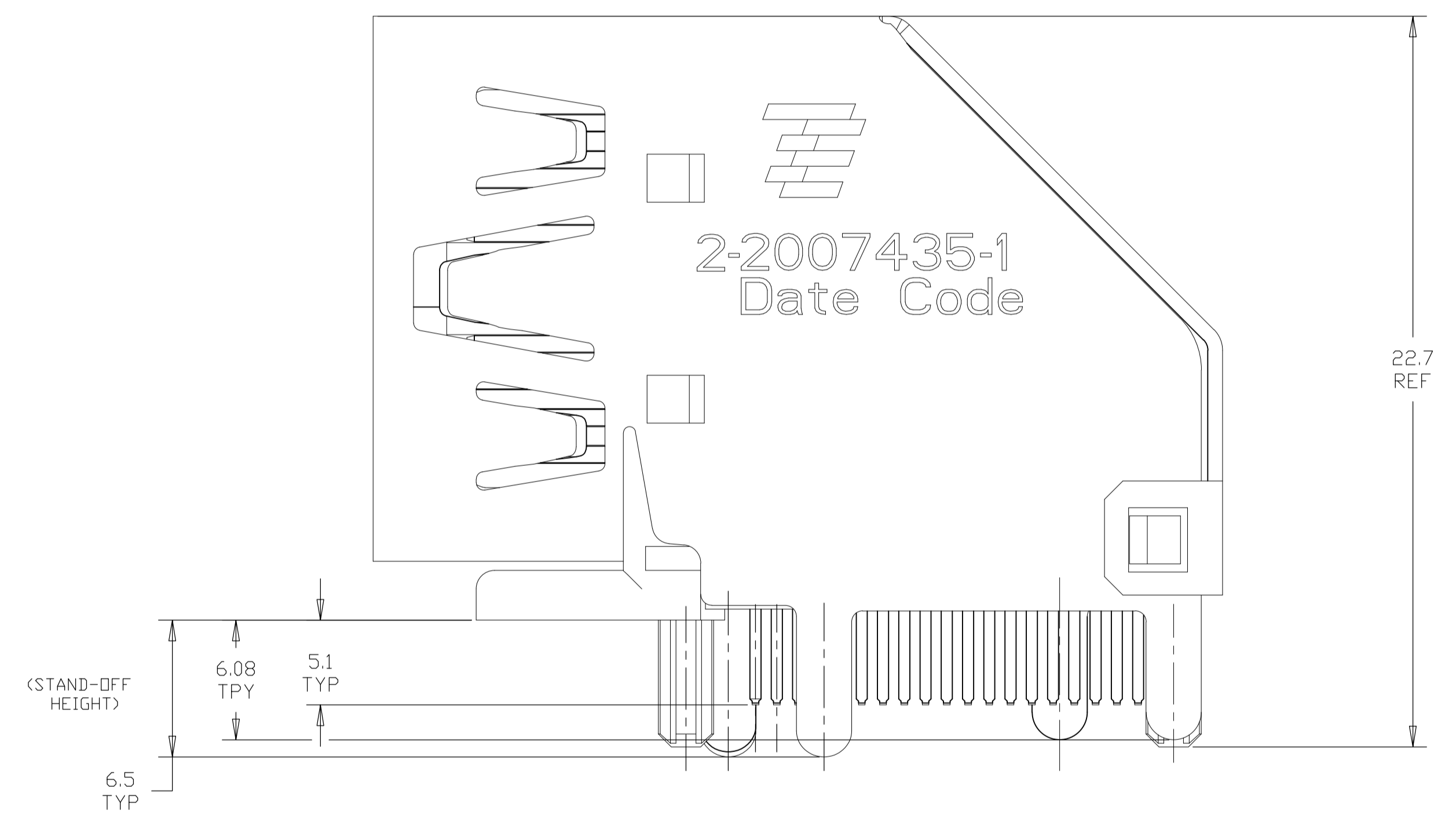
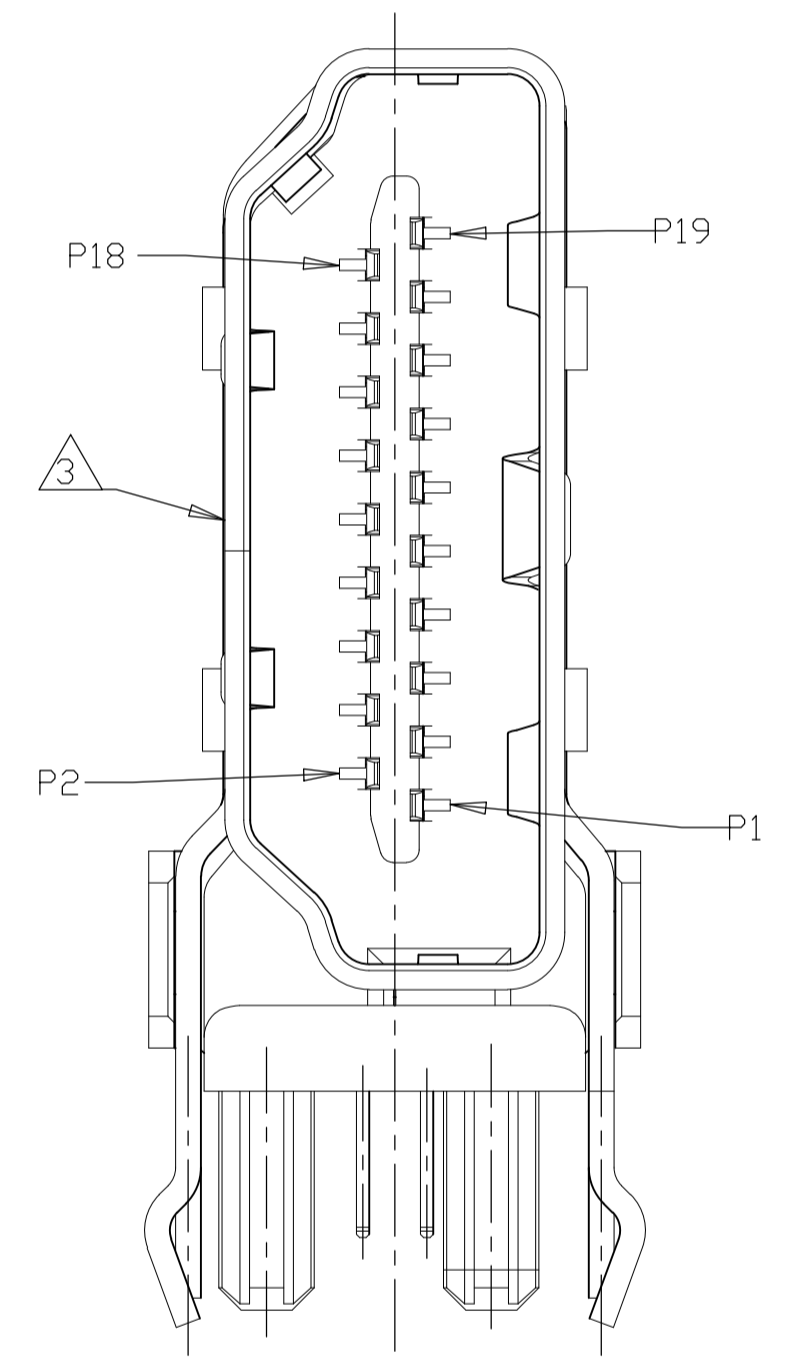
SCALE: 8:1 SHEET: 1 OF 10 REV: D2

| LOC | | DIST | | REVISIONS | | | |
|-----|------|------|-----|-------------|------|-----|------|
| NO | DATE | BY | CHK | DESCRIPTION | DATE | OWN | APPD |
| - | - | - | - | SEE SHEET 1 | - | - | - |

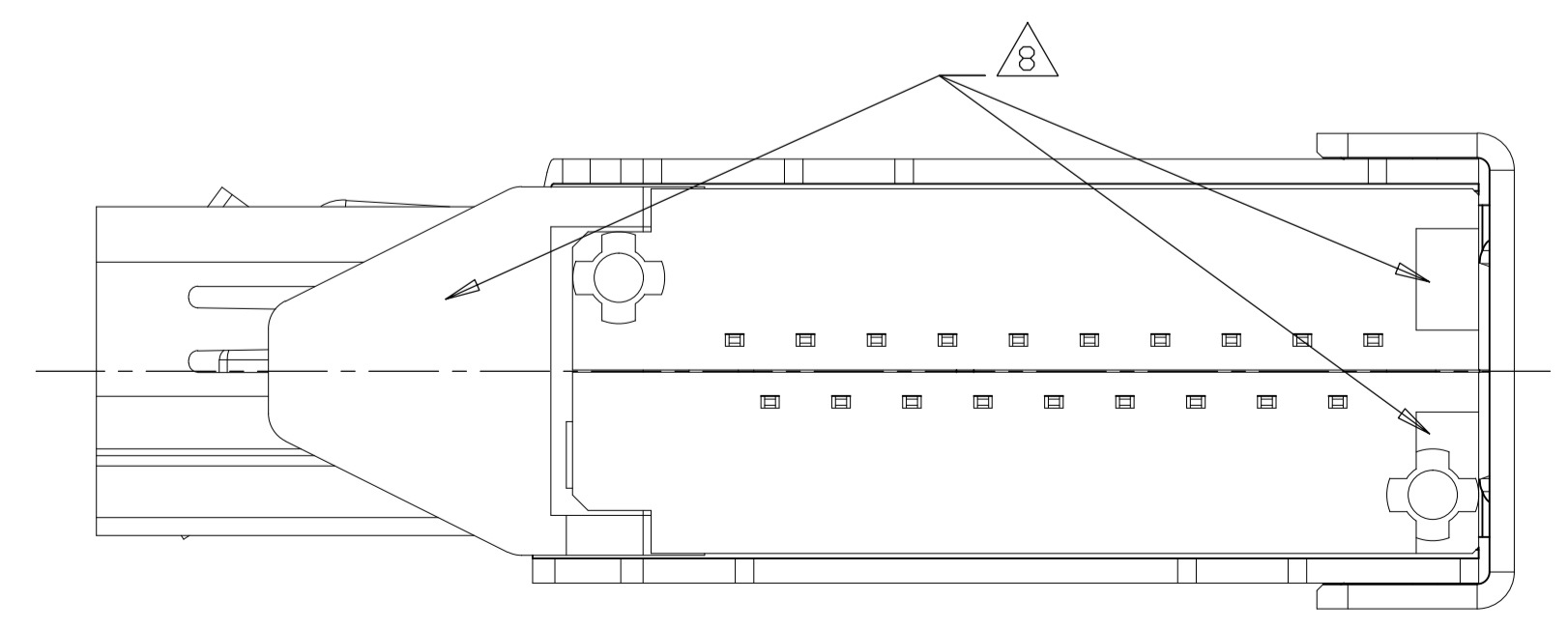


2-2007435-1 WITHOUT BOARD LOCK,
 UNMARKED DIMENSIONS SAME AS 2007435-1
 SCALE 6:1

- 1 MATERIALS:
 HOUSING: HIGH TEMP THERMOPLASTIC, UL94V-0, BLACK, PBT.
 CONTACTS: COPPER ALLOY.
 SHIELD: STAINLESS STEEL.
- 2 FINISH:
 CONTACTS:
 MATING AREA: CONFORMS TO HDMI SPECIFICATION VERSION 1.3a
 TABLE 4-6 AND 4-7 (ELECTRICAL AND ENVIRONMENTAL
 PERFORMANCE), BASED ON EIA/ECA - 364-1000.01A
 (CONTROLLED ENVIRONMENT APPLICATIONS).
 SOLDER TAILS: TIN OVER NICKEL.
- 3 INTERFACE DIMENSIONS PER HDMI SPECIFICATION VERSION 1.3a.
- 4 WAVE SOLDER COMPATIBLE PER 109-202, CONDITION B.
 NO CLEAN FLUX IS RECOMMENDED.
- 5 THIS DIMENSION HAS AN ADDITIONAL 1.0 CLEARANCE OVER
 HDMI V1.3a SPECIFICATION MAXIMUM CABLE TYPE A PLUG HEIGHT.
- 6 REMOVE CAP IS RECOMMENDED AFTER WAVE SOLDER.
- 7 MATERIALS:
 HOUSING: HIGH TEMP THERMOPLASTIC, UL94V-0, BLACK, LCP.
 CONTACTS: COPPER ALLOY.
 SHIELD: STAINLESS STEEL.
- 8 STAND-OFF AREA.

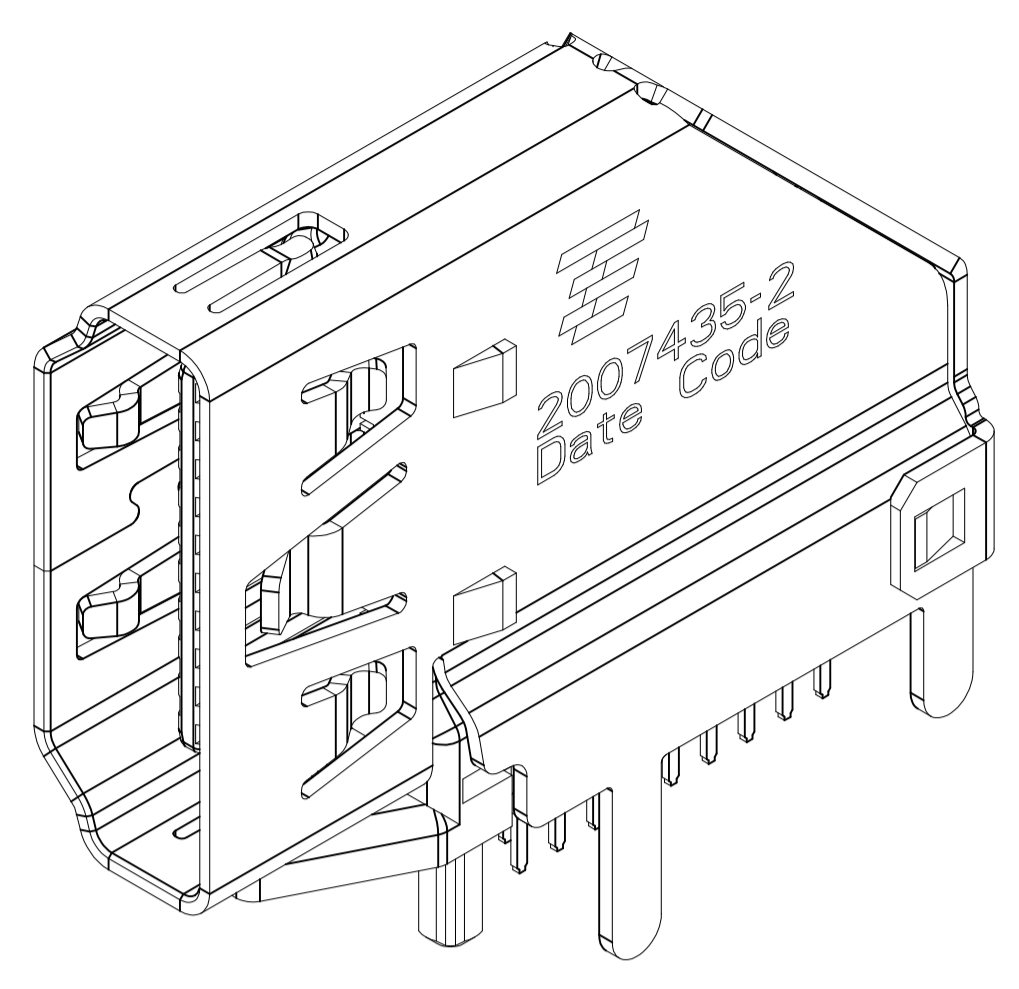


DESIGN APPROVED THIS PRINT IS
PRELIMINARY
 TO FIRST PIECE APPROVAL
 CONTACT PRODUCT ENGINEERING
 BEFORE USING THIS PRINT

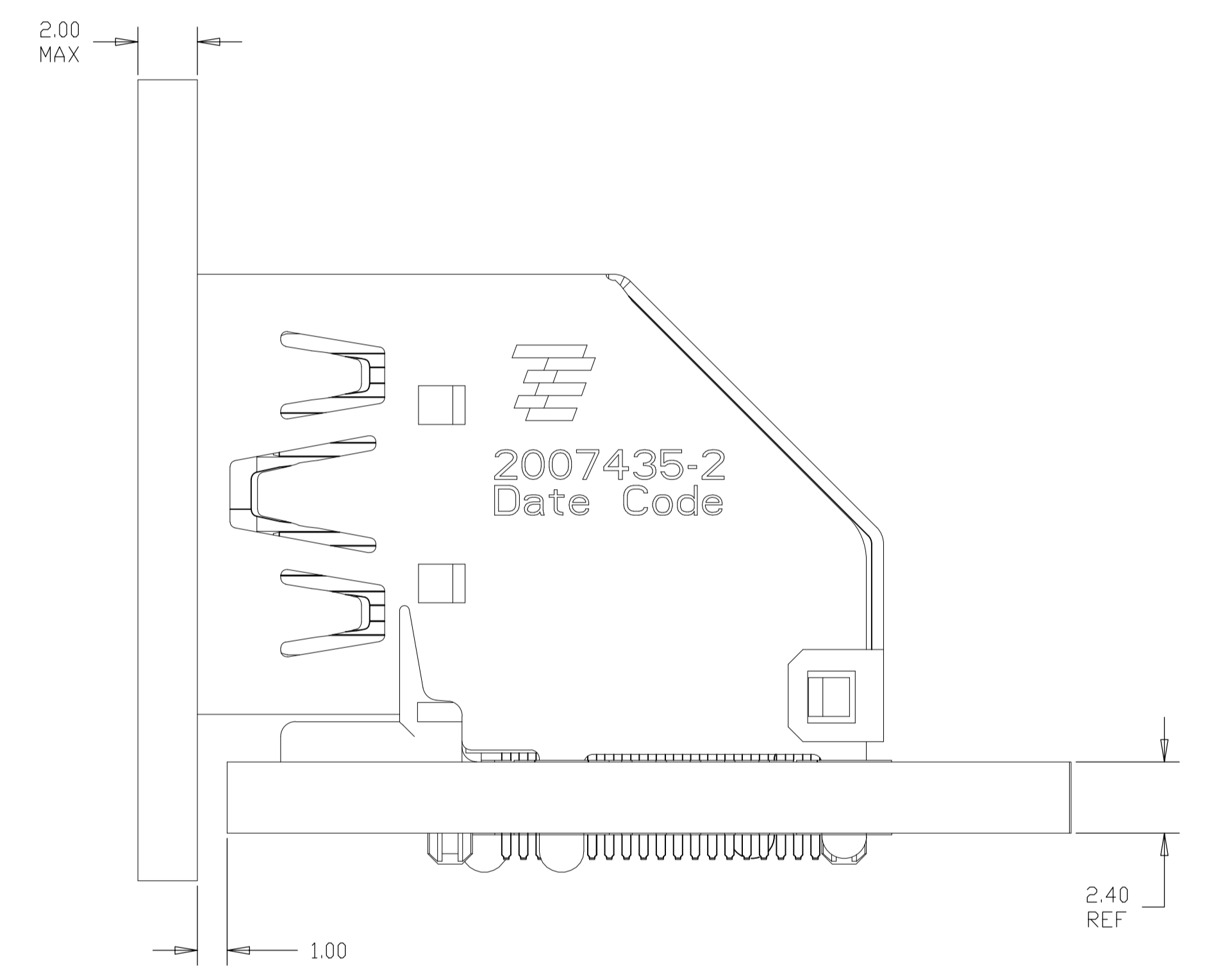
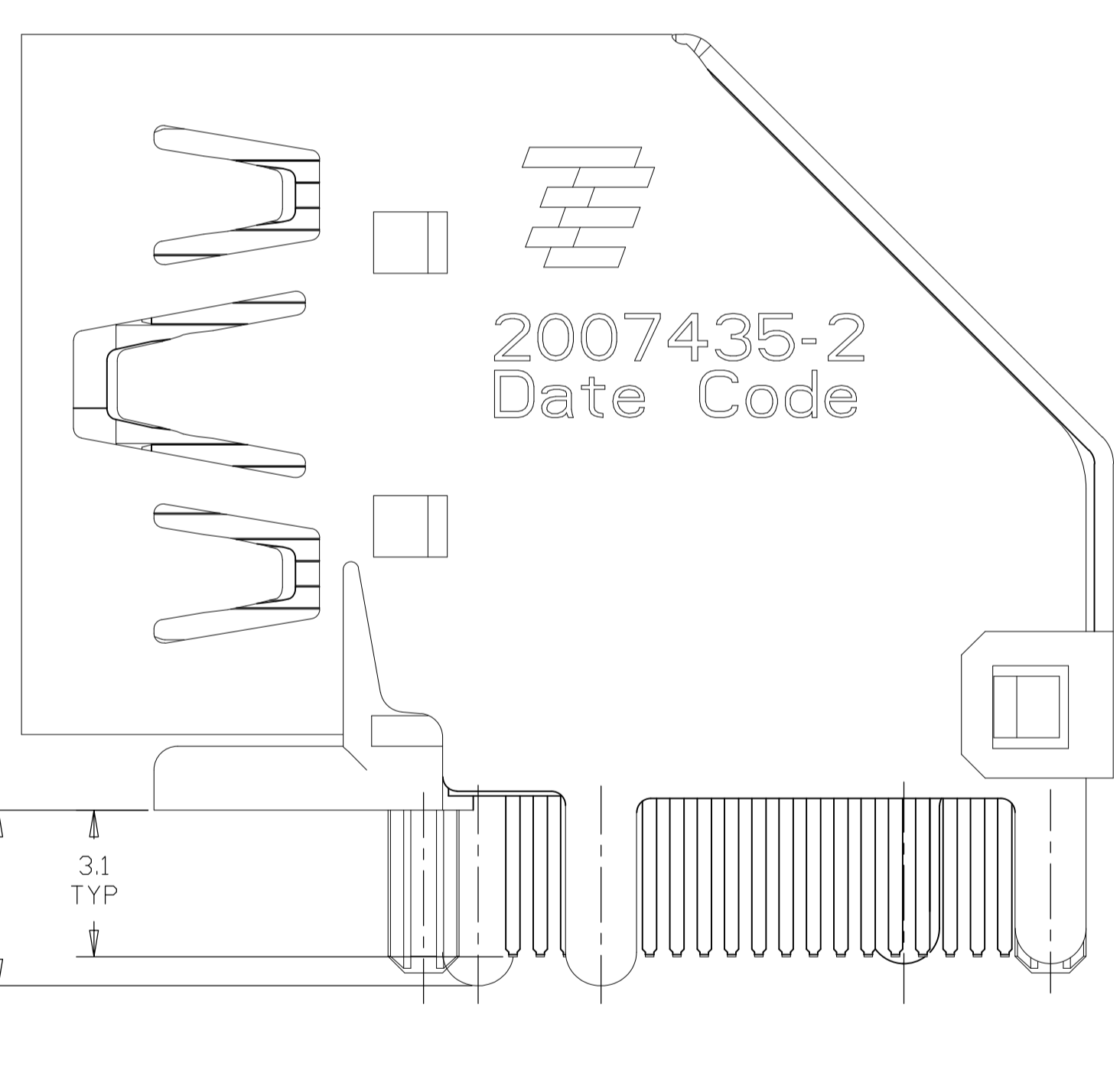
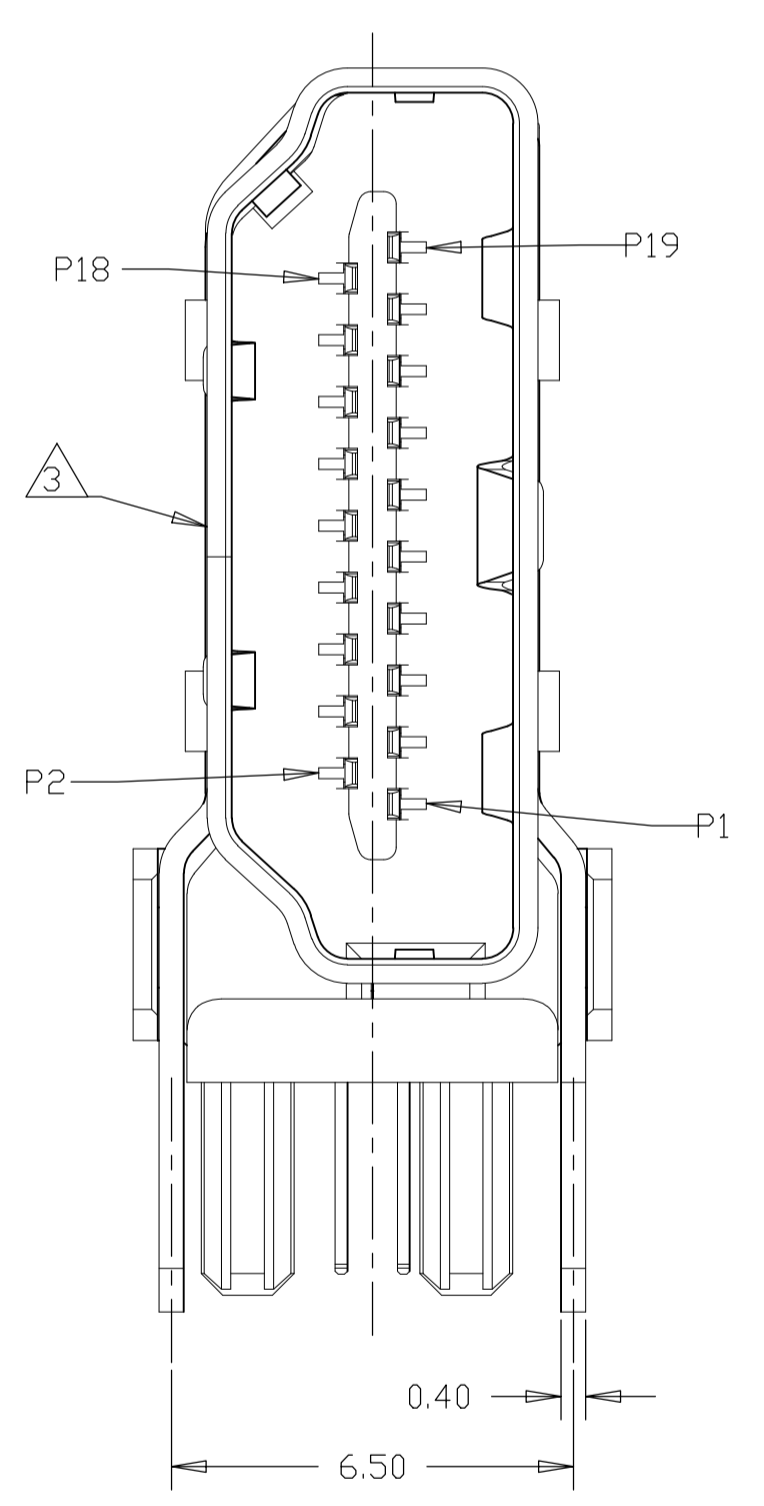
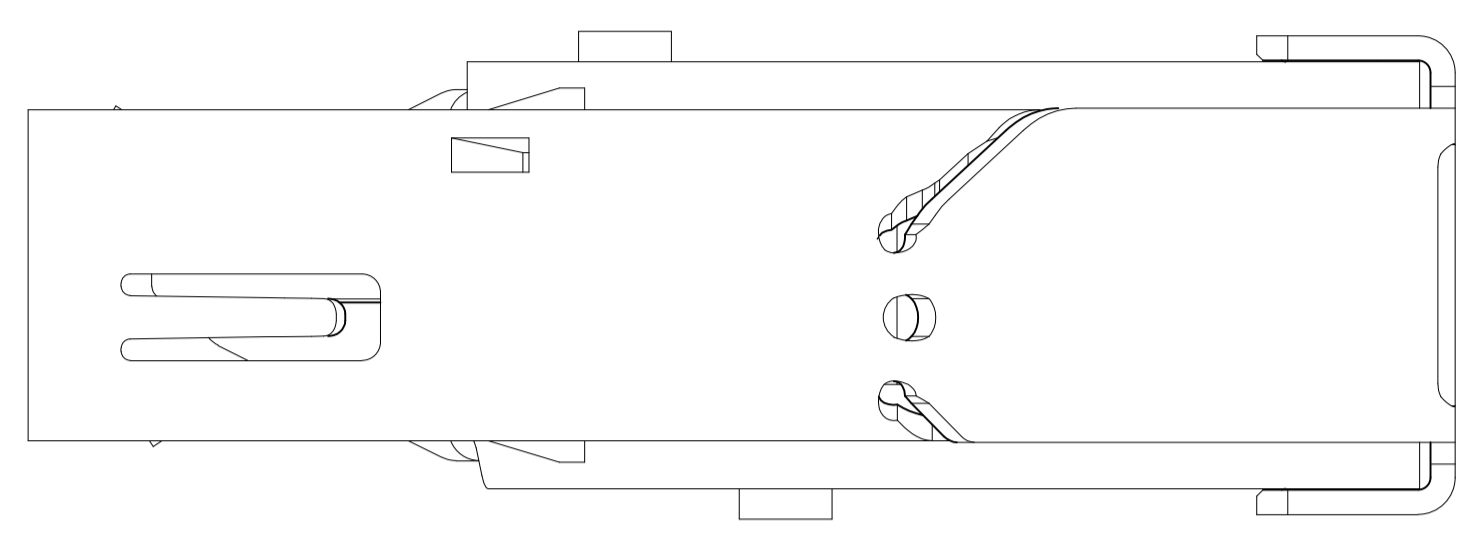


| | | | | | |
|--|------------------------|---------------------------|--------------------------------|------------------------------|---------------|
| TRAY | WITHOUT POLYIMIDE TAPE | WITH KINK AND WITHOUT CAP | 0.38 μ m | 4.40 | 2-2007435-1 |
| PACKAGE | REMARK | | GOLD PLATING ON CONTACT AREA | MATERIAL | PCB THICKNESS |
| THIS DRAWING IS A CONTROLLED DOCUMENT. | | | DWN Francis Lee 31AUG2010 | STE TE Connectivity | |
| DIMENSIONS: mm | | | CHK Martin Li 31AUG2010 | HDMI FLAG CONNECTOR ASSEMBLY | |
| TOLERANCES UNLESS OTHERWISE SPECIFIED: | | | APPD Steven Yao 31AUG2010 | 108-60079 | |
| 0 PLC \pm - | | | APPLICATION SPEC | | |
| 1 PLC \pm 0.3 | | | SIZE CAGE CODE DRAWING NO | | |
| 2 PLC \pm 0.25 | | | A1 00779 2007435 | | |
| 3 PLC \pm 0.100 | | | RESTRICTED TO | | |
| 4 PLC \pm 0.1000 | | | CUSTOMER DRAWING | | |
| ANGLES \pm 5 | | | SCALE 8:1 SHEET 2 OF 10 REV D2 | | |
| MATERIAL SEE TABLE | FINISH | WEIGHT | SCALE 8:1 SHEET 2 OF 10 REV D2 | | |

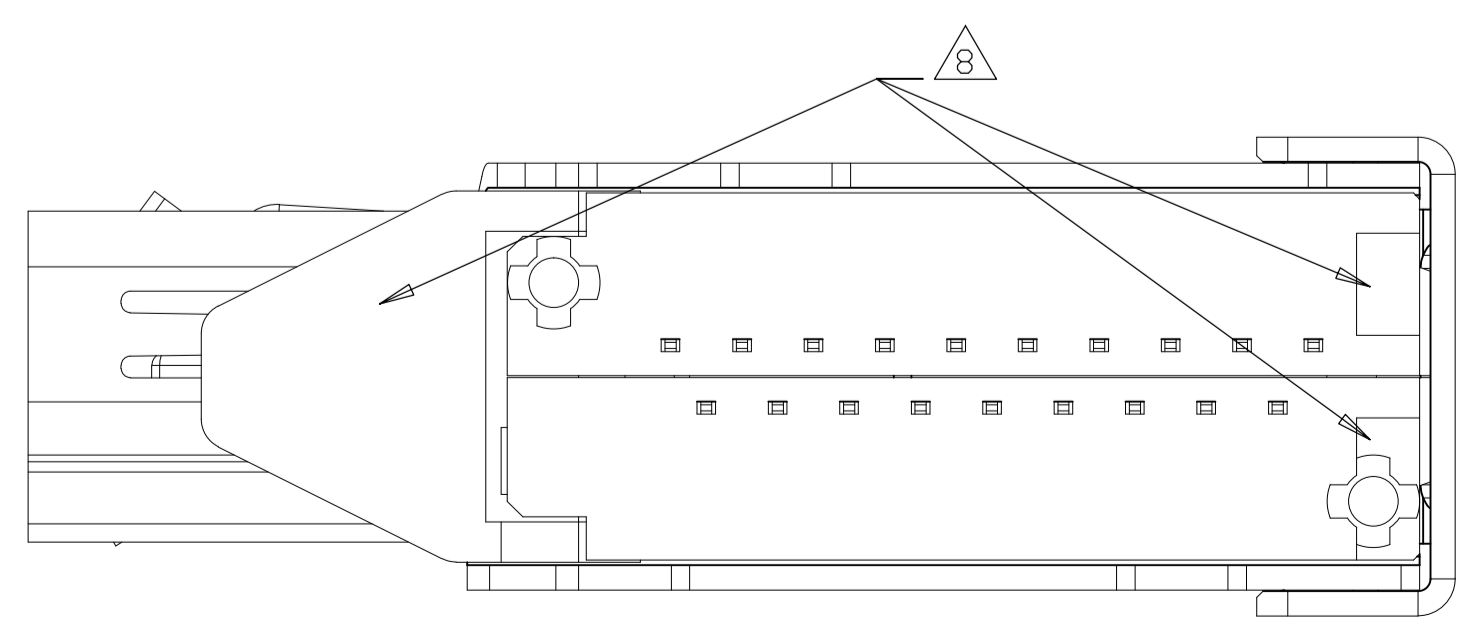
| LOC | | DIST | | REVISIONS | | | |
|-----|-----|-------------|------|-----------|------|---|---|
| P | LTR | DESCRIPTION | DATE | DNW | APVD | | |
| - | - | SEE SHEET 1 | - | - | - | - | - |



2007435-2 WITHOUT BOARD LOCK,
 UNMARKED DIMENSIONS SAME AS 2007435-1
 SCALE 6:1

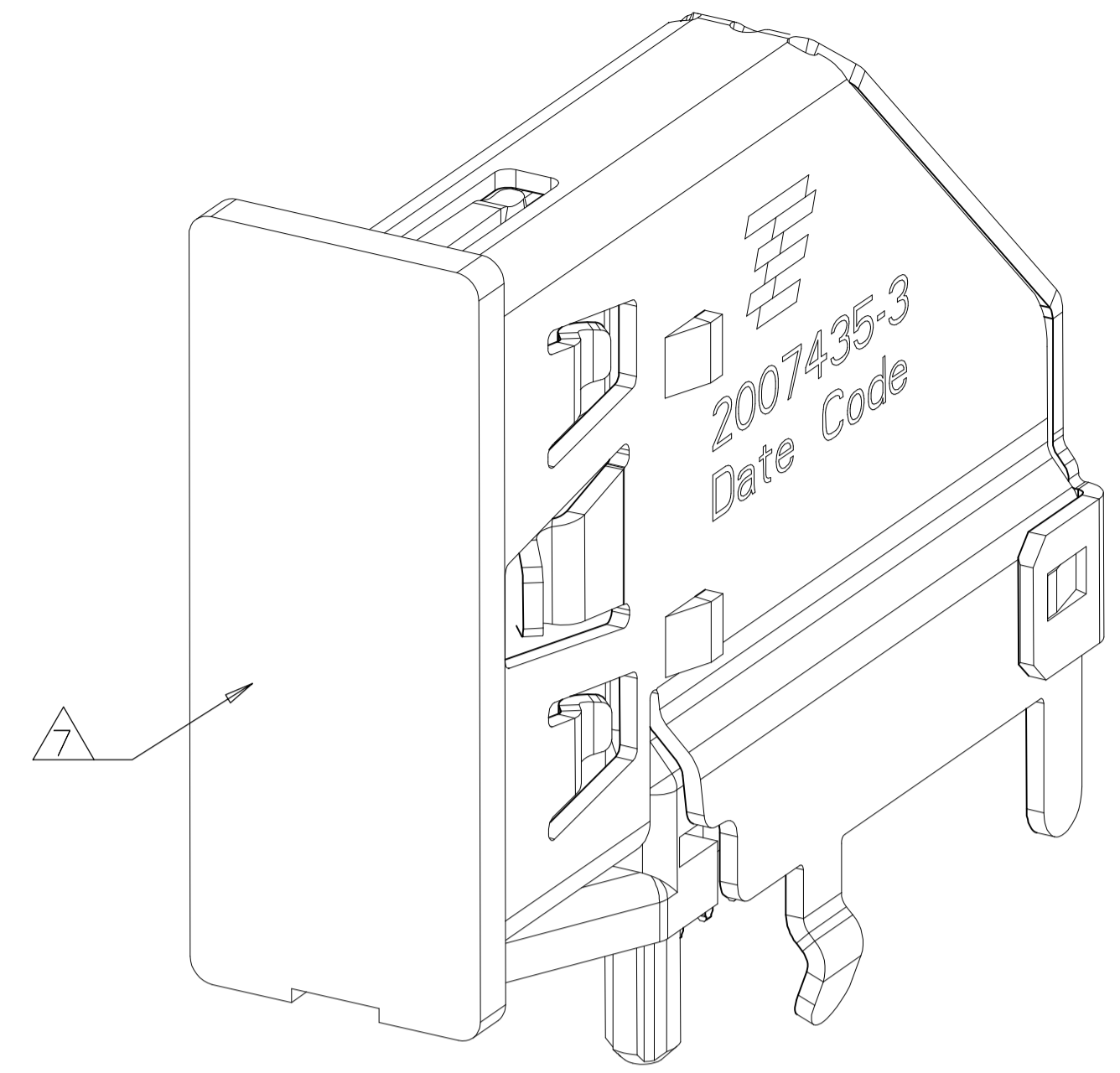


2007435-2
 INSTALLED CONDITION
 SCALE 6:1

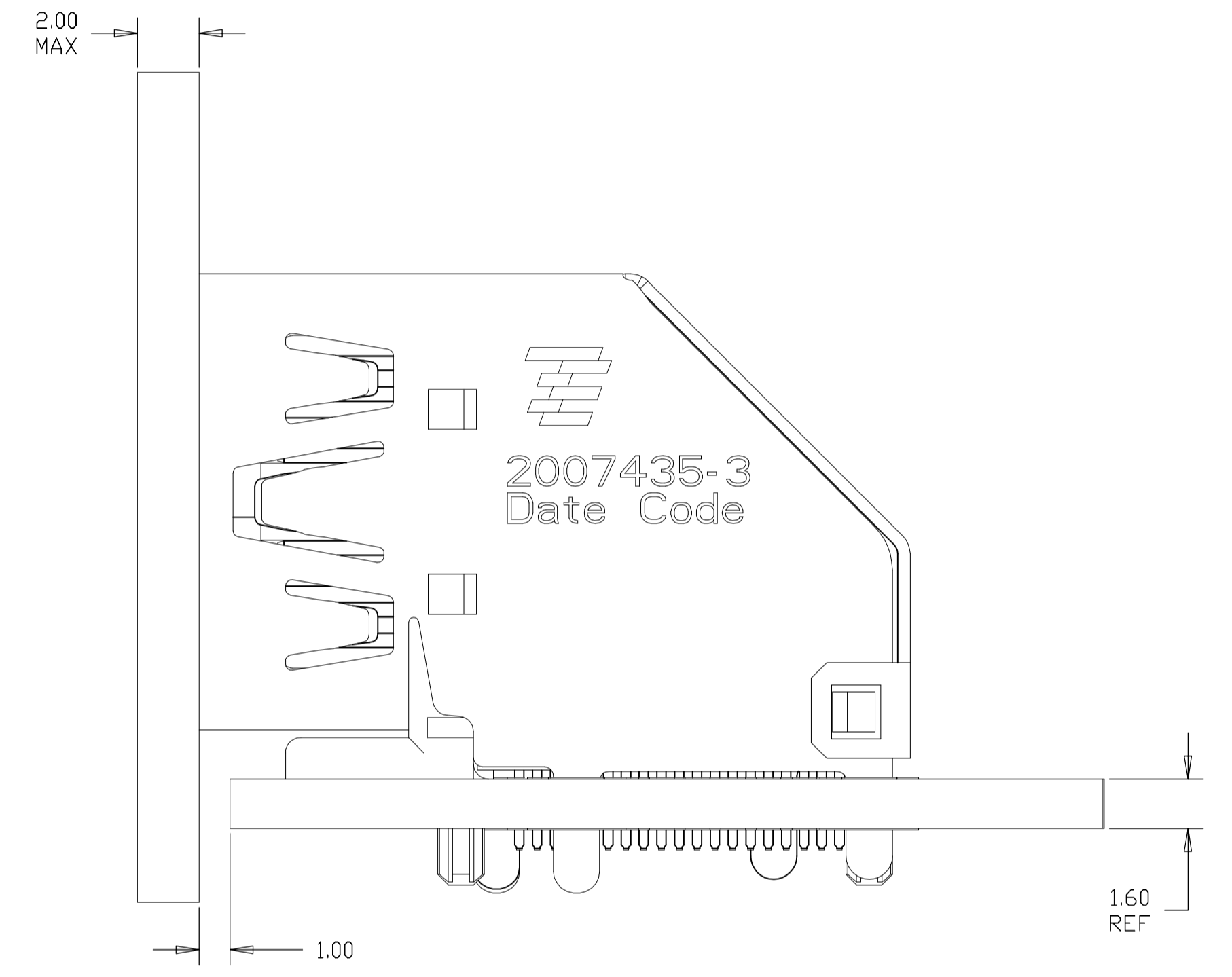
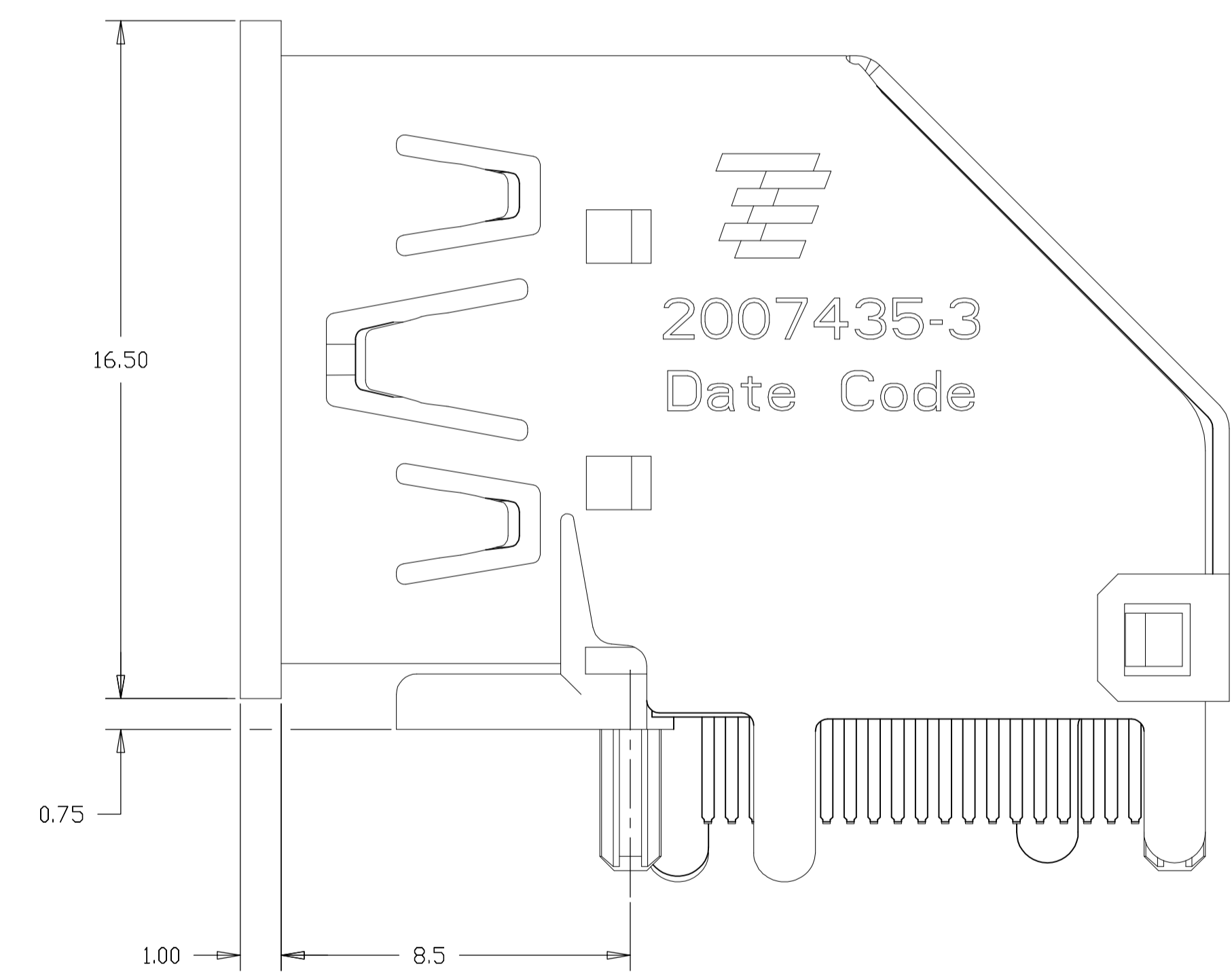
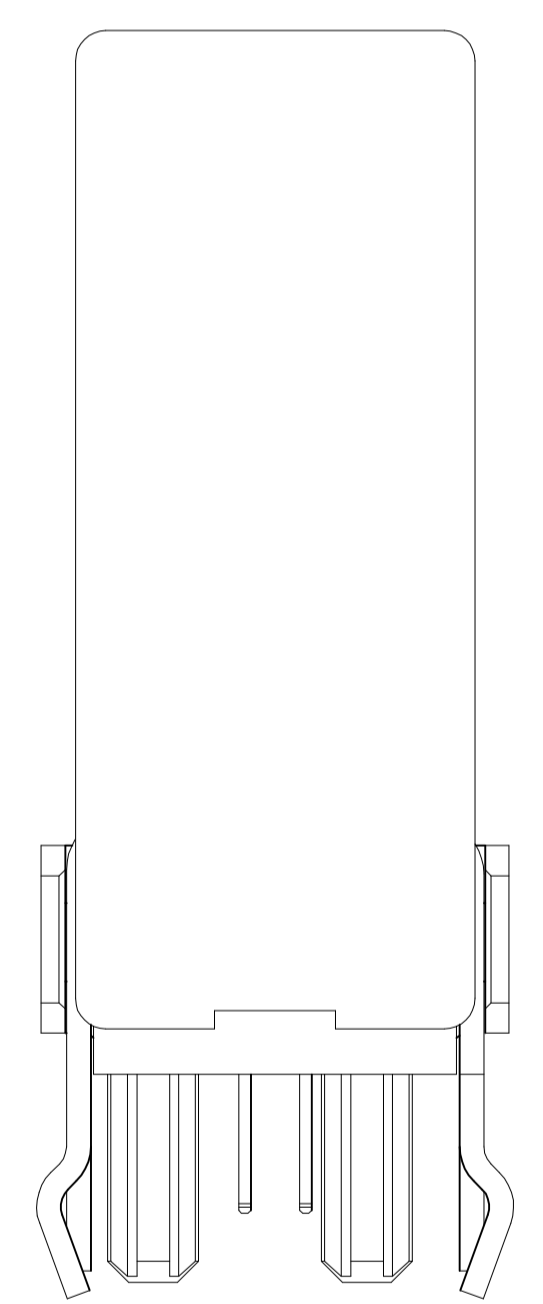
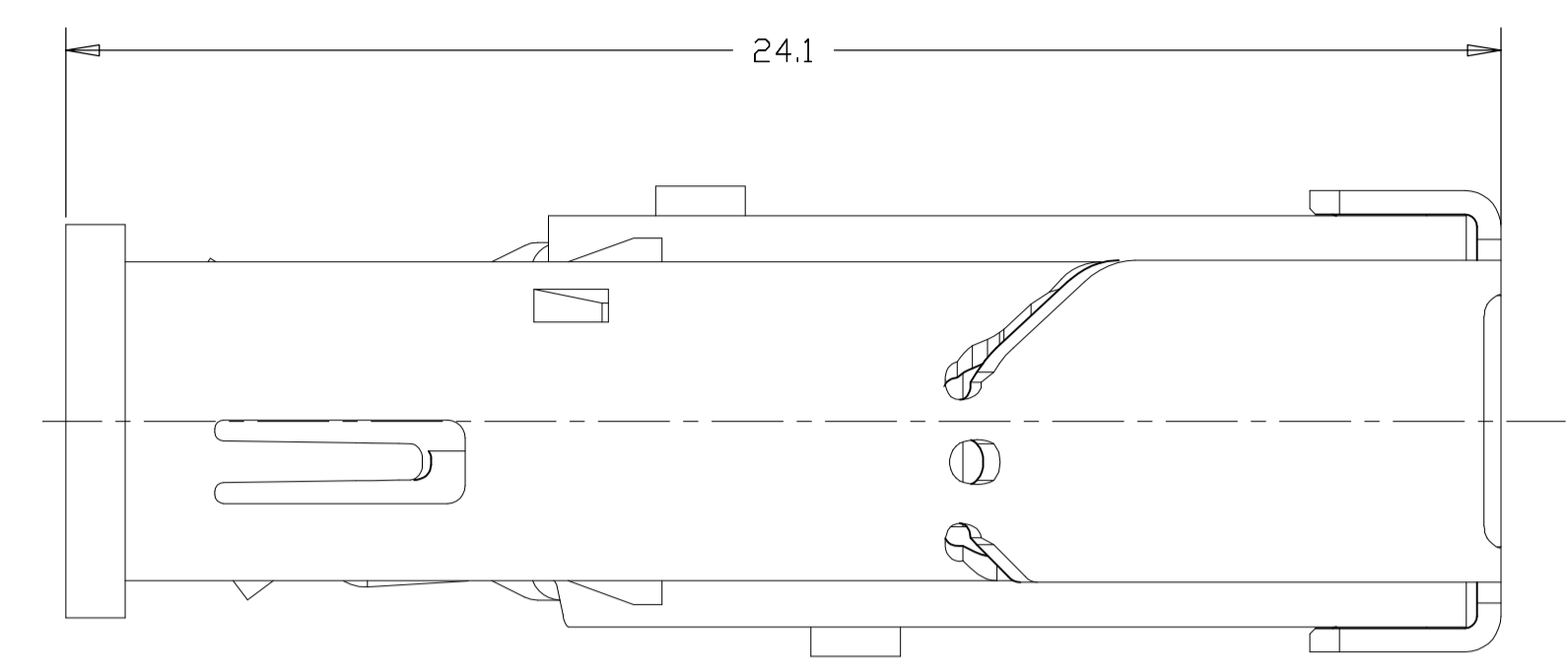


| | | | | |
|--|--|------------------|------------------------------|---------|
| THIS DRAWING IS A CONTROLLED DOCUMENT. | | DIN | STC TE Connectivity | |
| DIMENSIONS: | TOLERANCES UNLESS OTHERWISE SPECIFIED: | CHK | NAME | |
| mm | 0. PLC ± - | APVD | HDMI FLAG CONNECTOR ASSEMBLY | |
| | 1. PLC ± 0.3 | PRODUCT SPEC | - | |
| | 2. PLC ± 0.25 | APPLICATION SPEC | - | |
| | 3. PLC ± 0.100 | WEIGHT | - | |
| | 4. PLC ± 0.1000 | SIZE | A1 00779 C=2007435 | |
| | ANGLES ± - | RESTRICTED TO | - | |
| MATERIAL | FINISH | CUSTOMER DRAWING | SCALE | SHEET |
| SEE TABLE | | | 8:1 | 3 OF 10 |

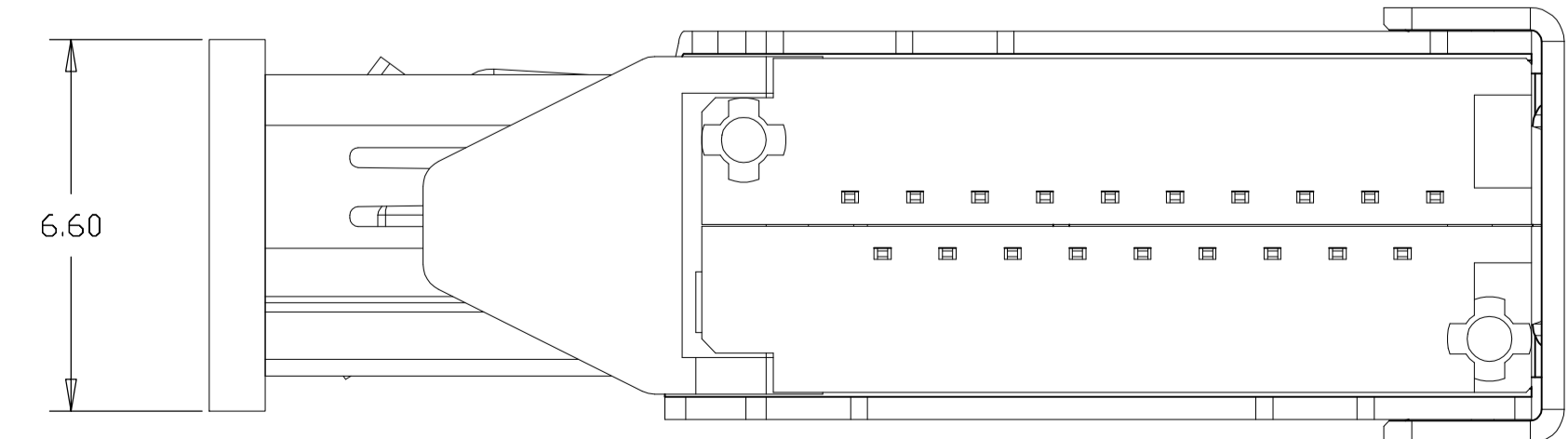
| LOC | | DIST | | REVISIONS | | | |
|-----|-----|-------------|------|-----------|------|---|---|
| P | LTR | DESCRIPTION | DATE | DN | APVD | | |
| - | - | SEE SHEET 1 | - | - | - | - | - |



2007435-3(-5) WITH CAP, UNMARKED
 DIMENSIONS SAME AS 2007435-1
 SCALE 6:1

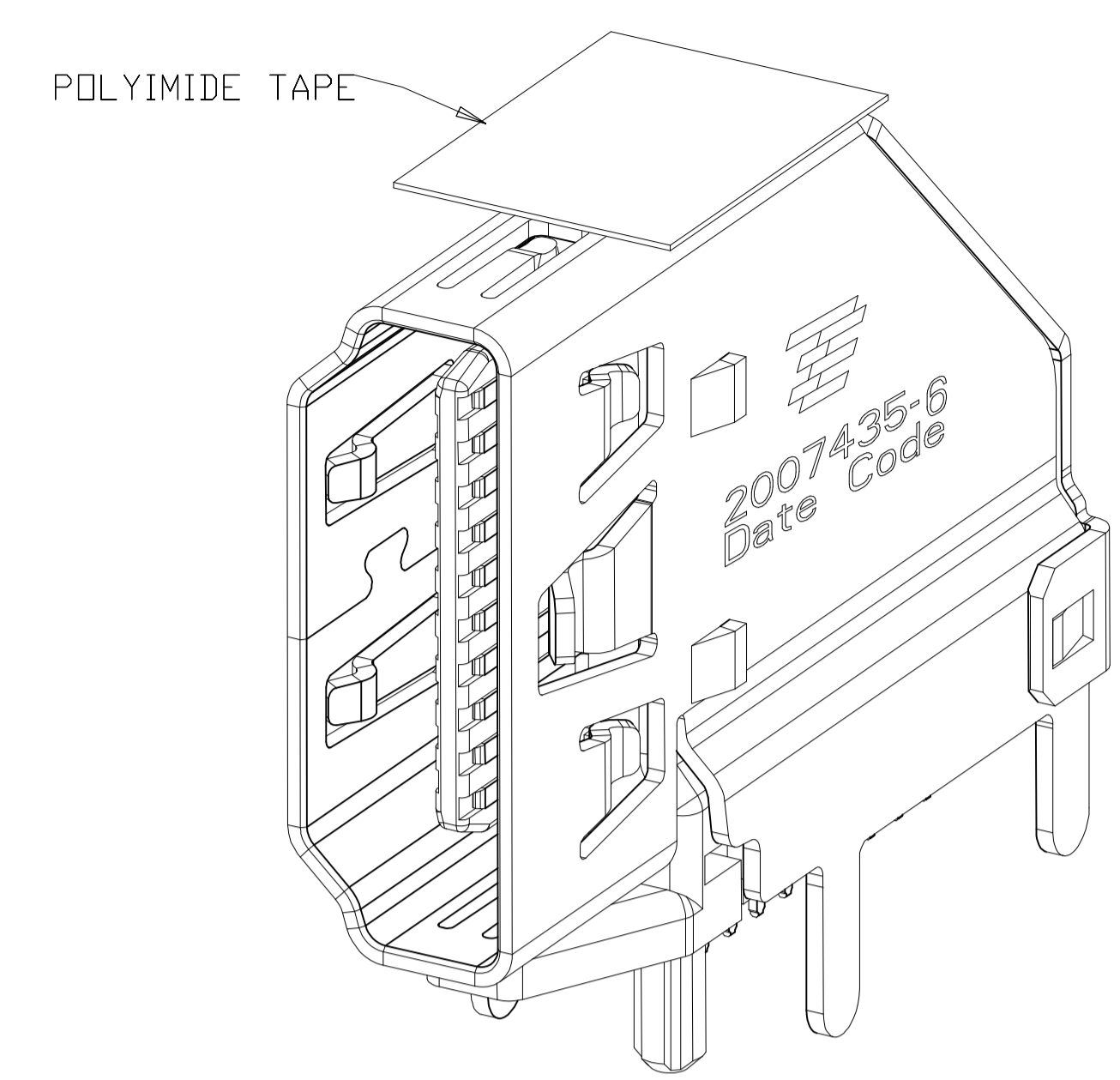
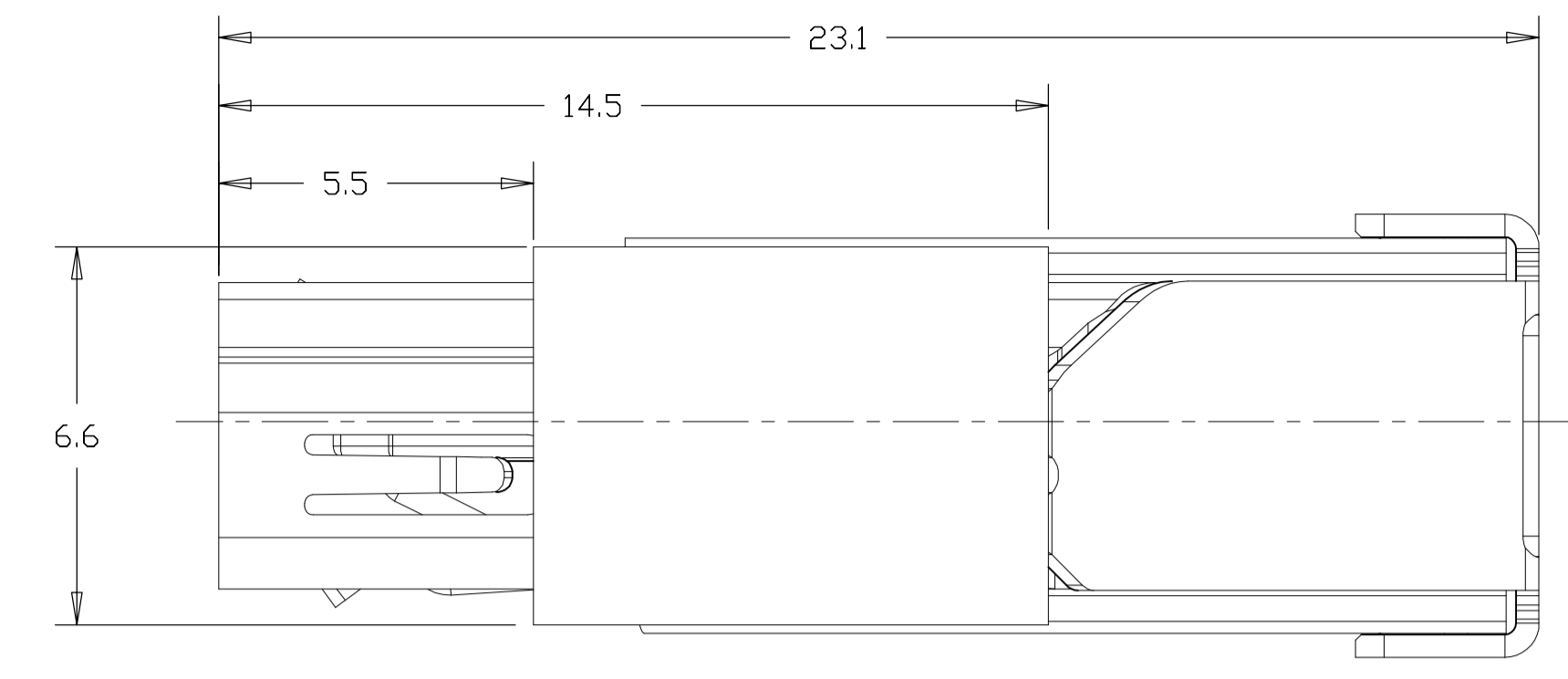


2007435-3(-5)
 INSTALLED CONDITION
 (ONLY FOR AFTER REMOVE CAP)
 SCALE 6:1

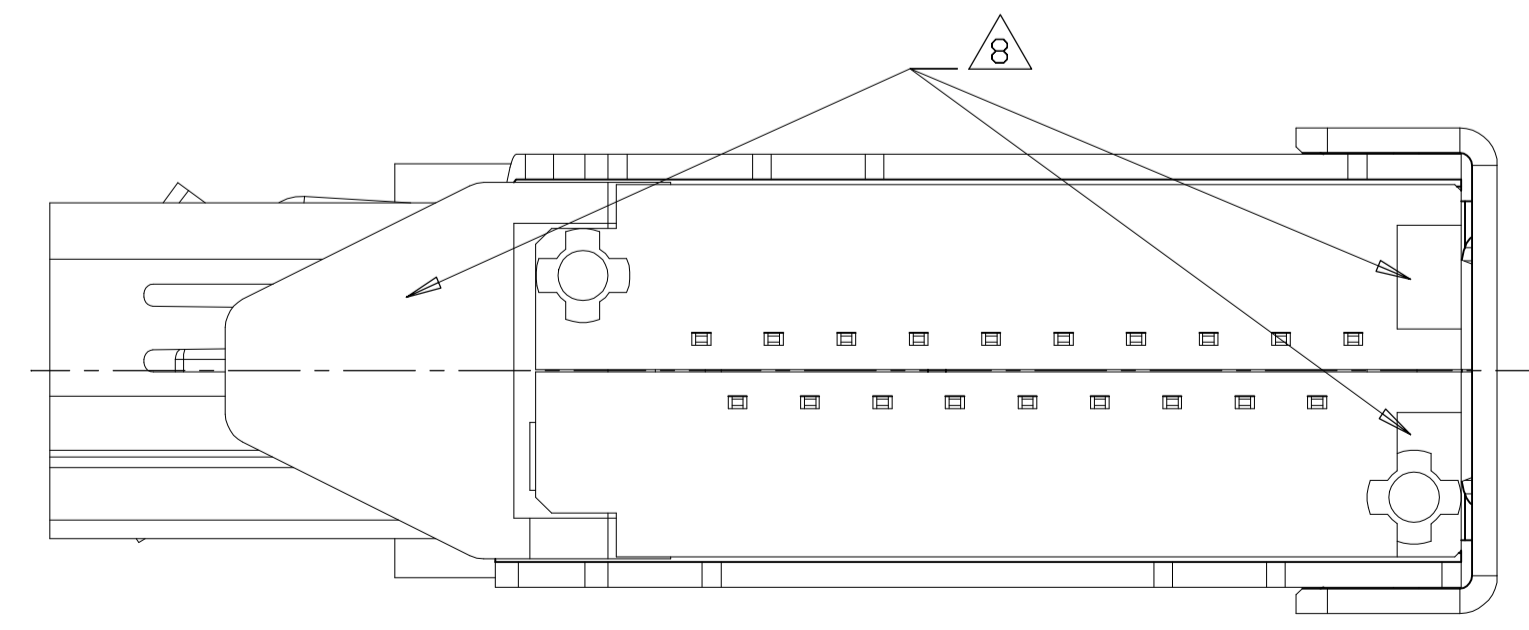
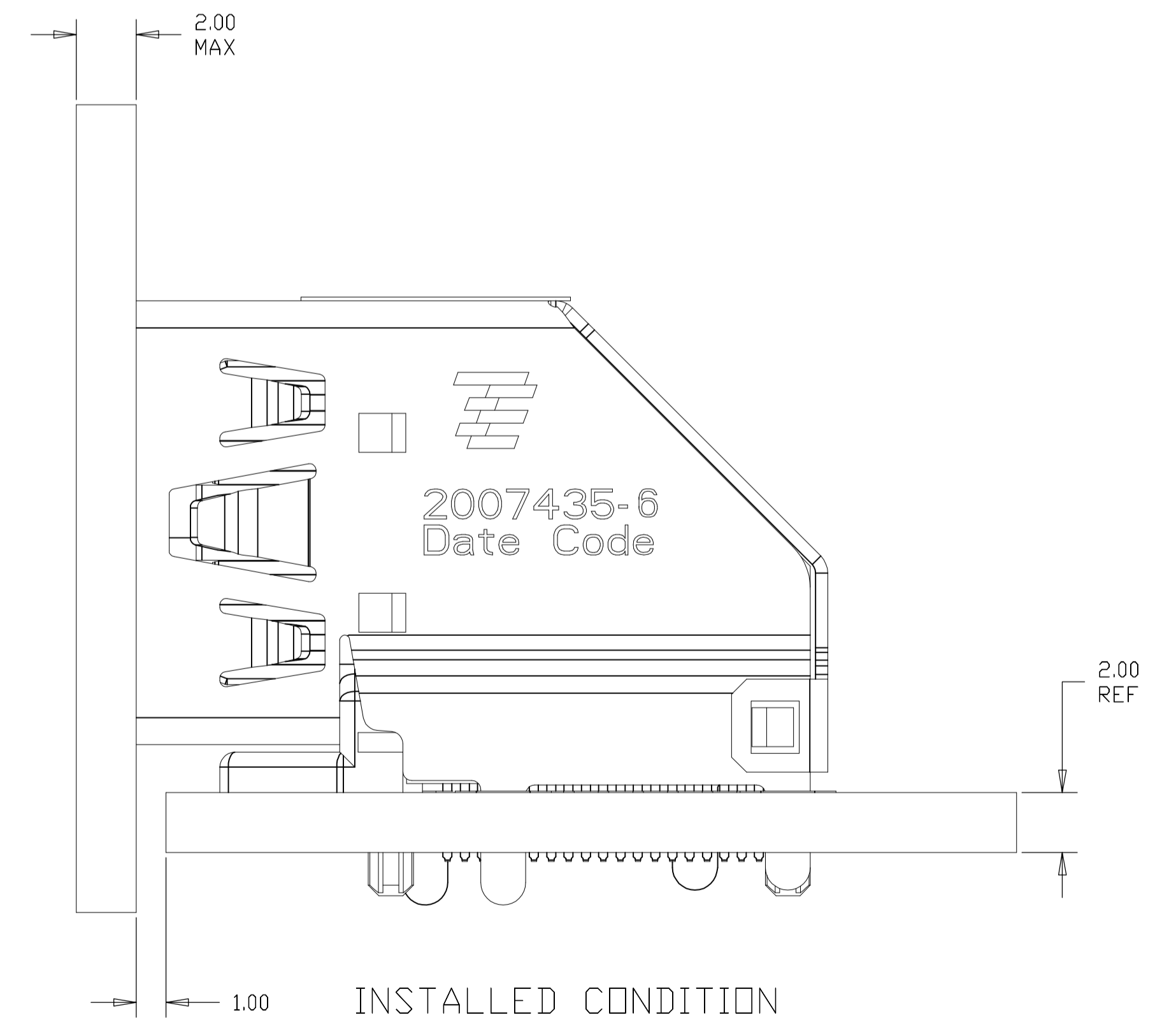
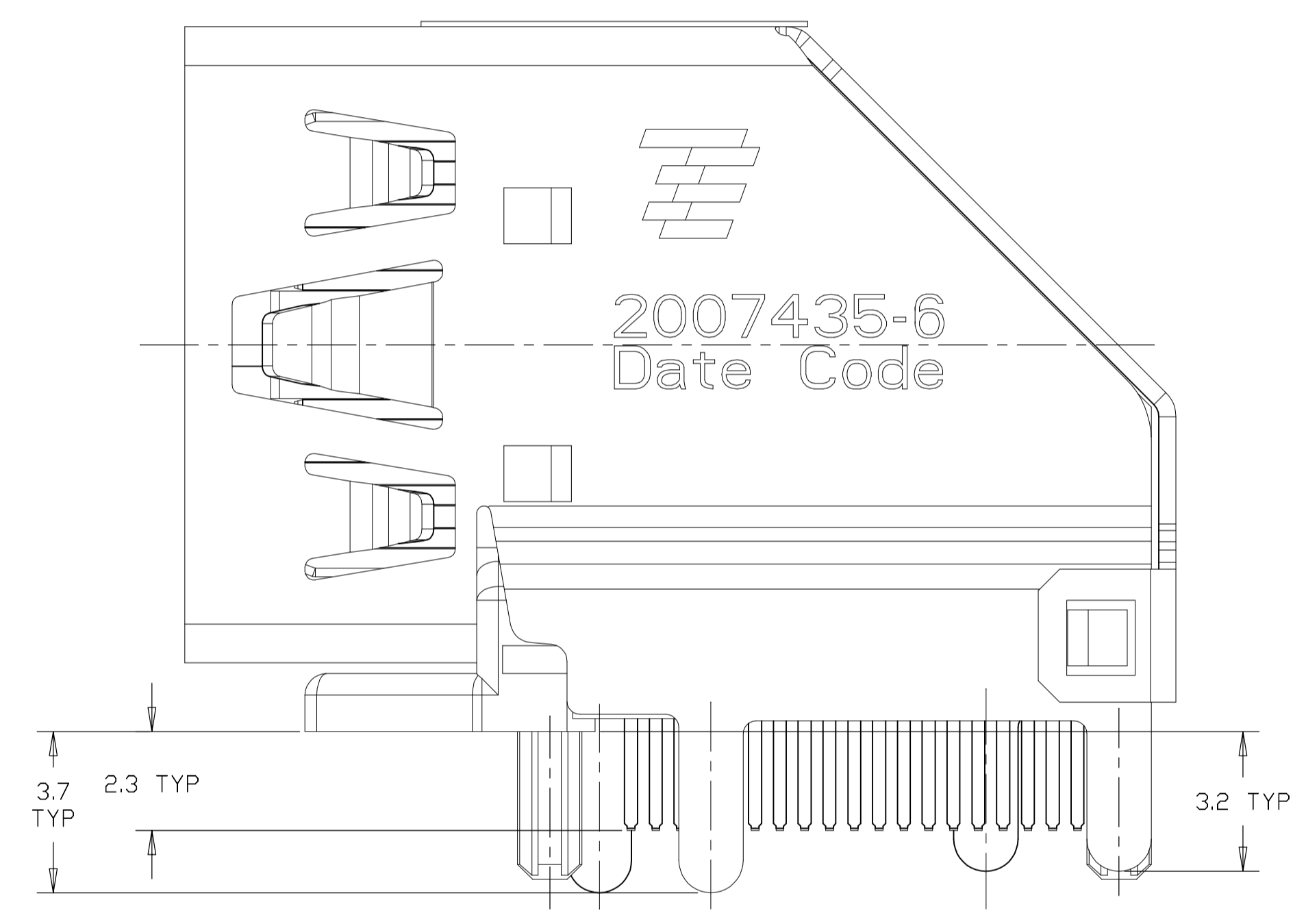
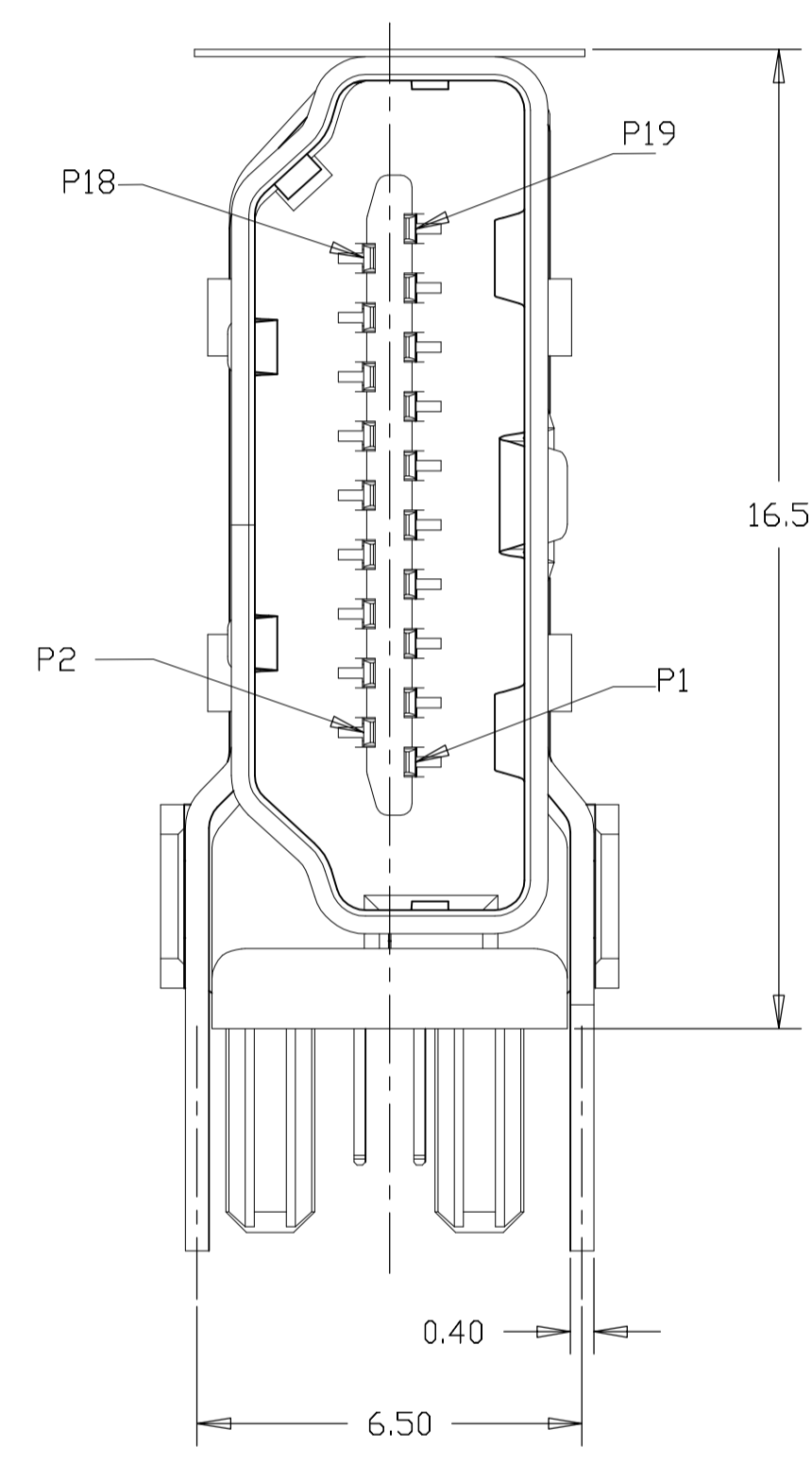


| | | | | | |
|--|--|--|---------------|------------------------------------|------------------|
| THIS DRAWING IS A CONTROLLED DOCUMENT. | | DIN | | TE Connectivity | |
| DIMENSIONS: mm | | TOLERANCES UNLESS OTHERWISE SPECIFIED: | | | |
| | | 0. PLC ± 0.3 | 1. PLC ± 0.25 | NAME: HDMI FLAG CONNECTOR ASSEMBLY | |
| MATERIAL: SEE TABLE | | 2. PLC ± 0.10 | 3. PLC ± 0.10 | PRODUCT SPEC | |
| FINISH: | | 4. PLC ± 0.10 | ANGLES ± - | APPLICATION SPEC | |
| | | | | SIZE: A1 | CAGE CODE: 00779 |
| | | | | DRAWING NO: C=2007435 | RESTRICTED TO: - |
| | | | | CUSTOMER DRAWING | |
| | | | | SCALE: 8:1 | SHEET 4 OF 10 |
| | | | | REV D2 | |

| LOC | | DIST | | REVISIONS | | | |
|-----|-----|-------------|------|-----------|------|--|--|
| P | LTR | DESCRIPTION | DATE | DNW | APVD | | |
| - | - | SEE SHEET 1 | - | - | - | | |



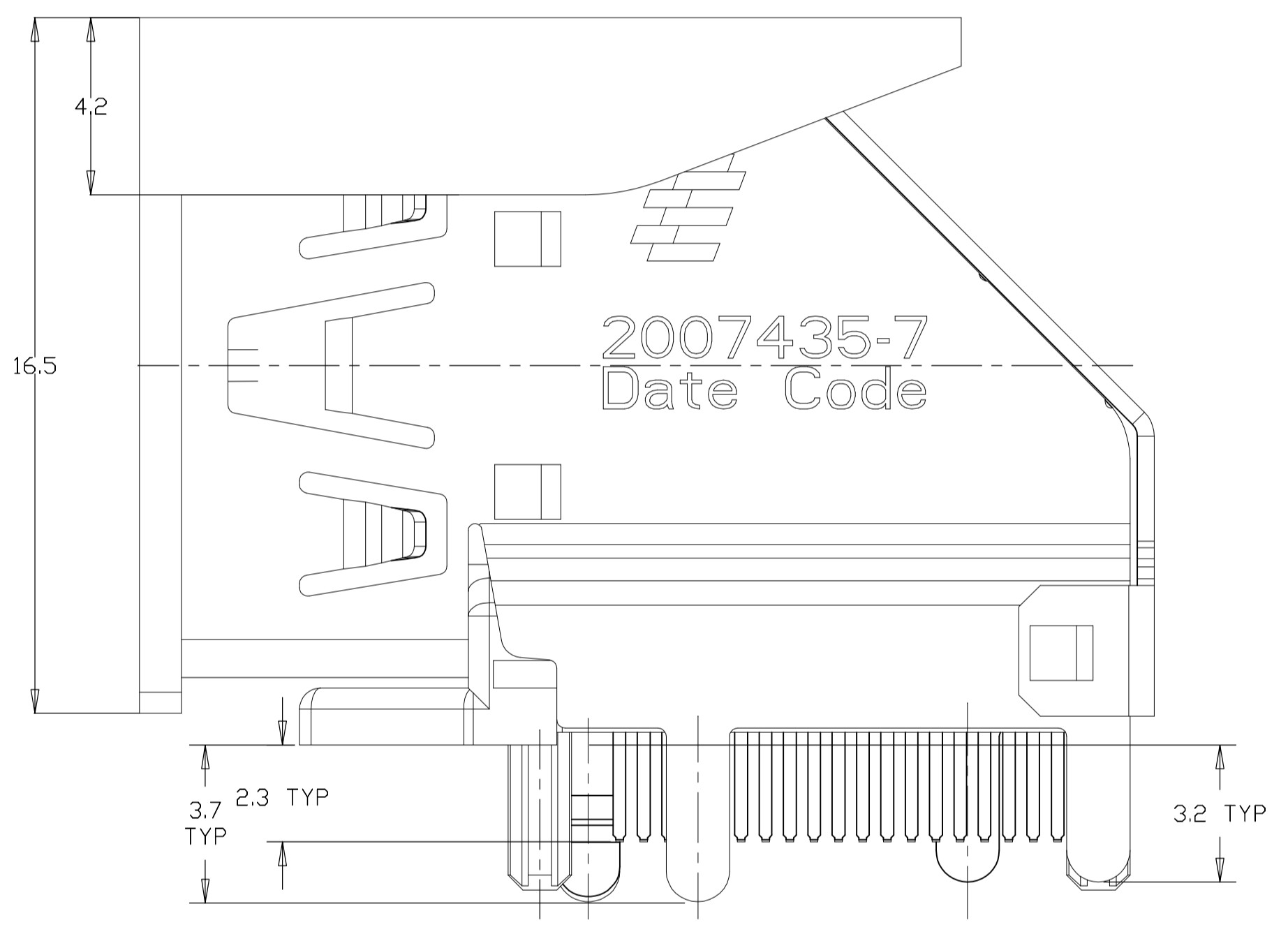
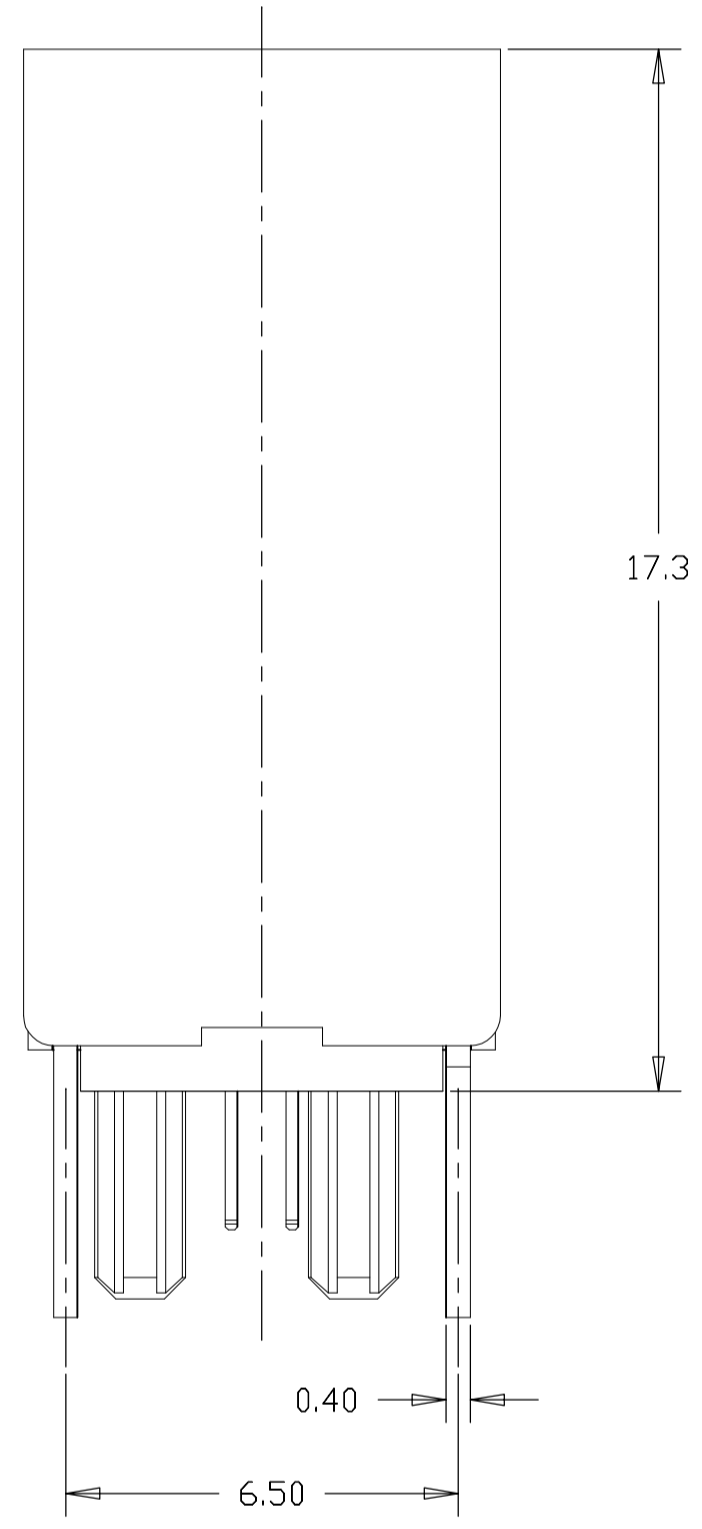
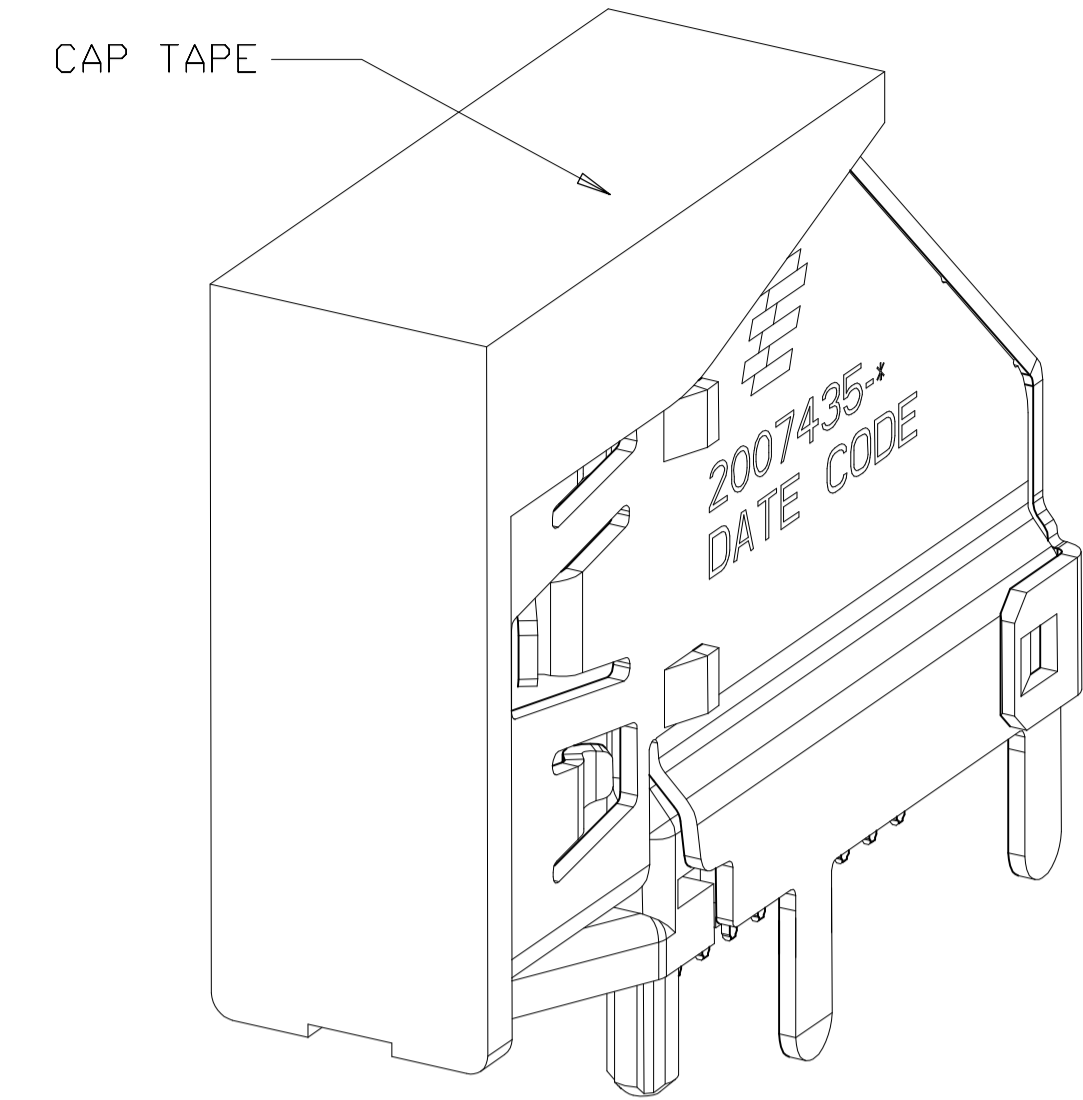
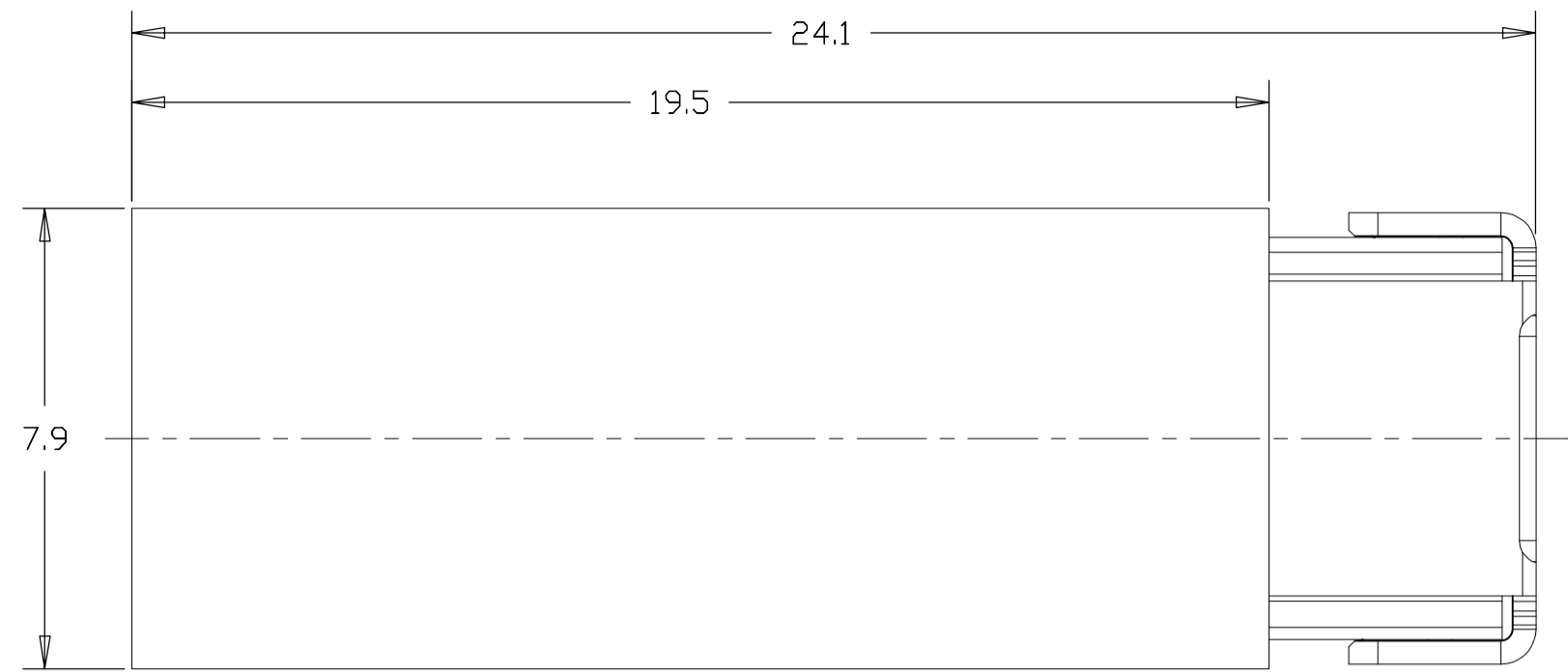
2007435-6 WITH POLYIMIDE TAPE,
UNMARKED DIMENSIONS SAME AS 2007435-1
SCALE 6:1



SCALE 6:1

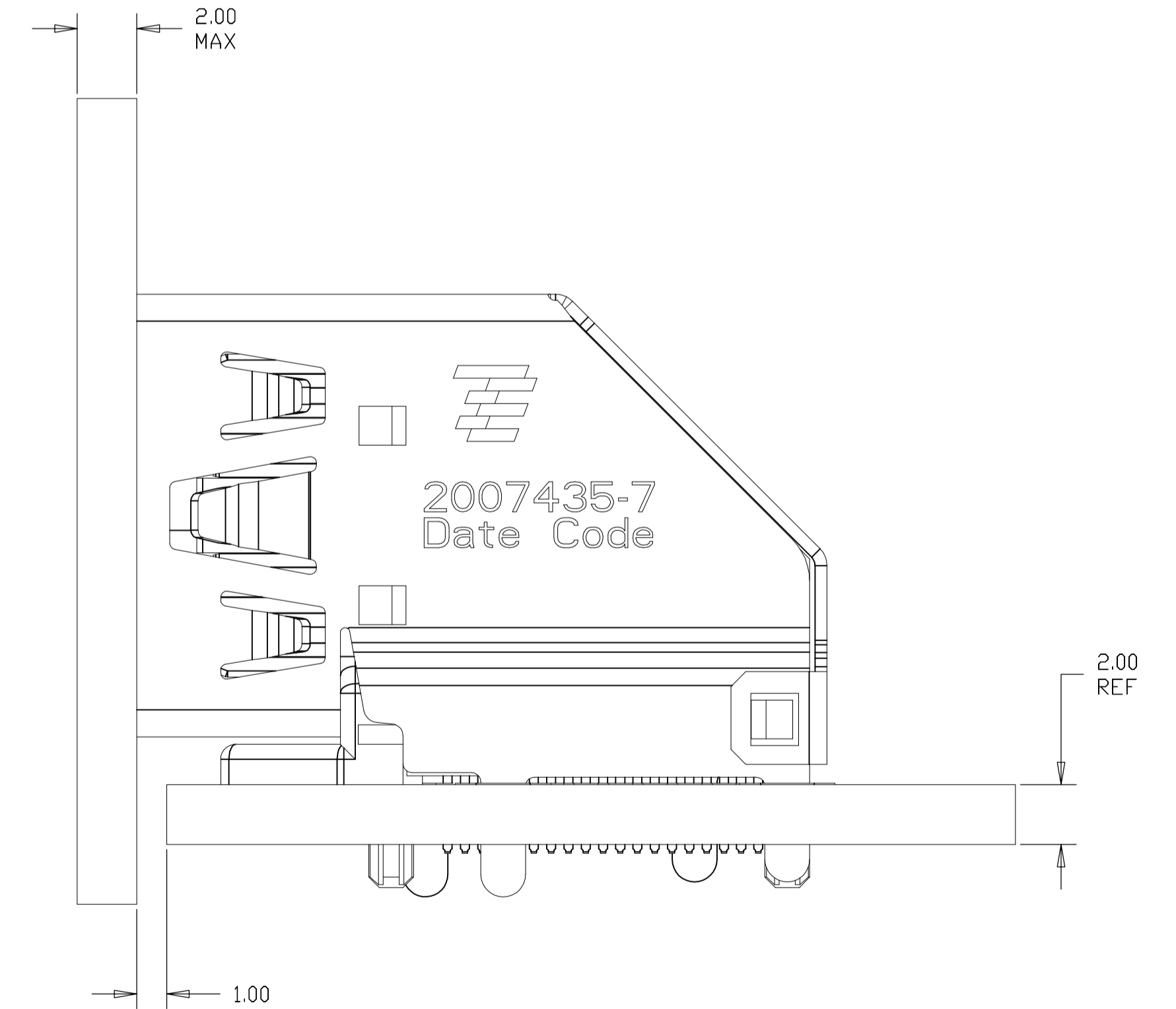
| | | | | | | | |
|--|--|--|--|---|--|---------------------------------|--|
| THIS DRAWING IS A CONTROLLED DOCUMENT. | | DIN | | STE | | TE Connectivity | |
| DIMENSIONS: mm | | TOLERANCES UNLESS OTHERWISE SPECIFIED: | | NAME | | HDMI FLAG CONNECTOR ASSEMBLY | |
| <ul style="list-style-type: none"> 0. PLC ± 0.3 1. PLC ± 0.25 2. PLC ± 0.10 3. PLC ± 0.10 4. PLC ± 0.10 ANGLES ± - | | <ul style="list-style-type: none"> APVD PRODUCT SPEC APPLICATION SPEC WEIGHT | | SIZE: A1 CAGE CODE: 00779 DRAWING NO: C=2007435 | | RESTRICTED TO | |
| MATERIAL: SEE TABLE | | FINISH: 2 | | CUSTOMER DRAWING | | SCALE: 8:1 SHEET 5 OF 10 REV D2 | |

| LOC | | DIST | | REVISIONS | | | |
|-----|-----|-------------|------|-----------|------|---|---|
| P | LTR | DESCRIPTION | DATE | OWN | APVD | | |
| - | - | SEE SHEET 1 | - | - | - | - | - |

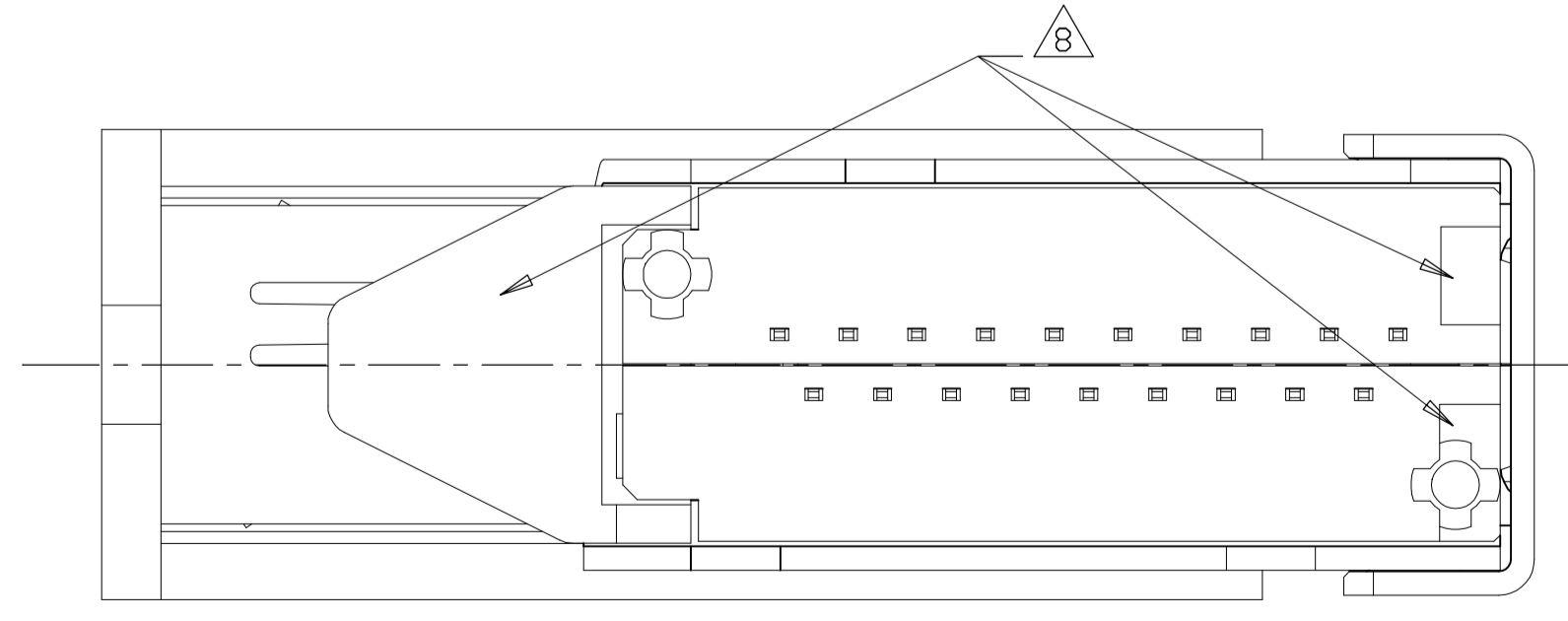


2007435-7 WITH CAP,
 UNMARKED DIMENSIONS SAME AS 2007435-1

SCALE 6:1

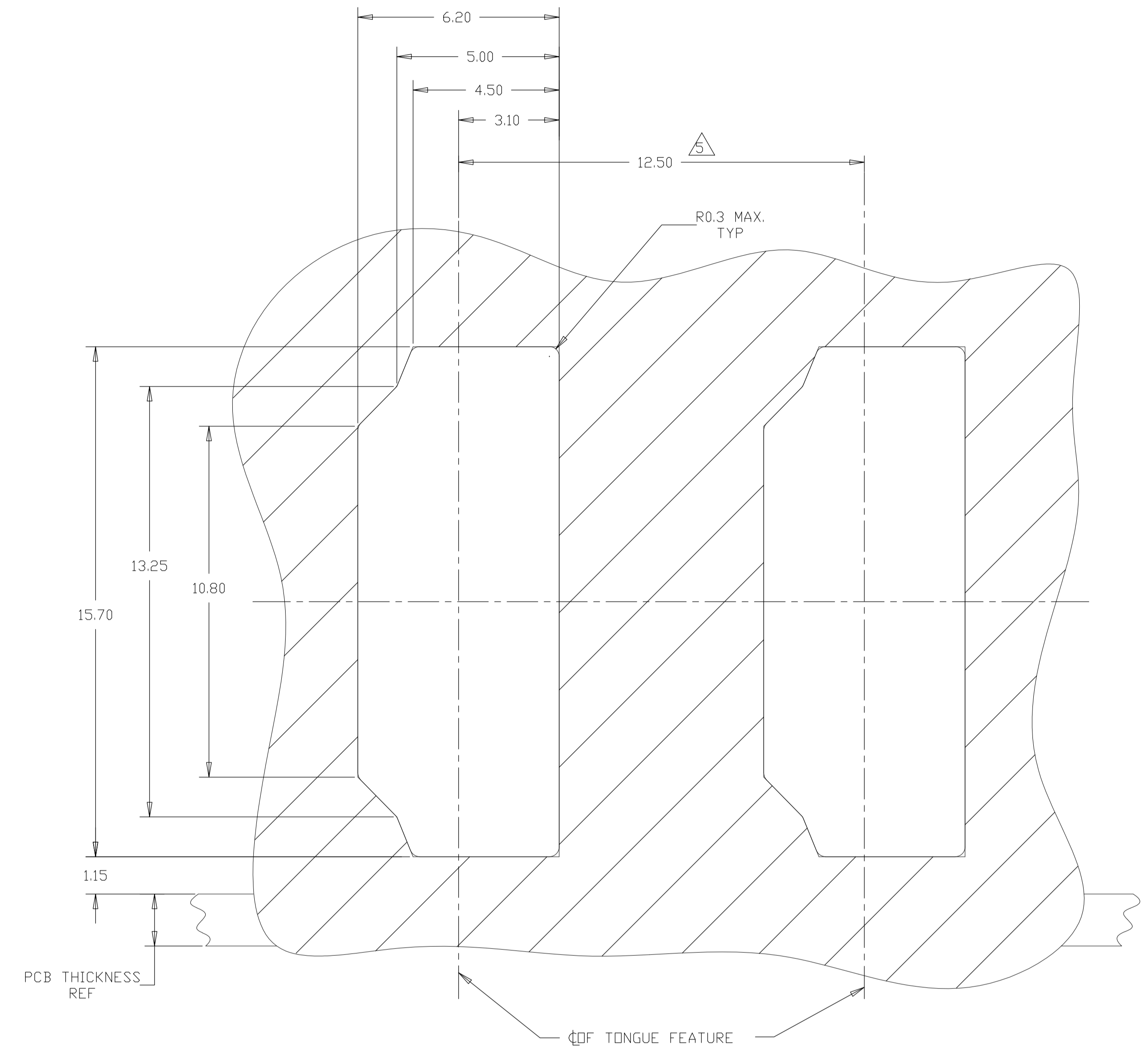
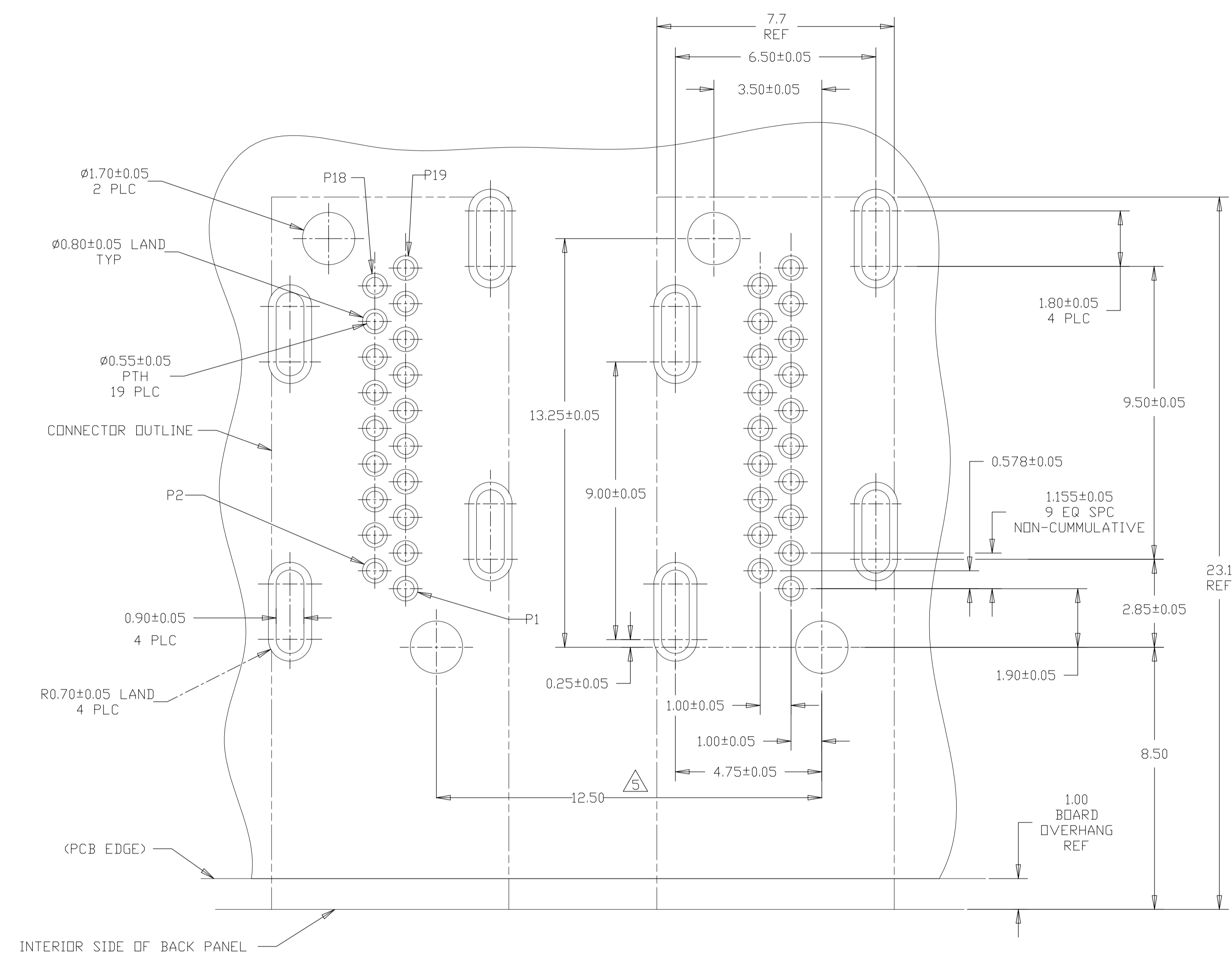


INSTALLED CONDITION
 (ONLY FOR AFTER REMOVE CAP)
 SCALE 6:1



| | | | | |
|--|--------|------------------|------------------------------|---------------|
| THIS DRAWING IS A CONTROLLED DOCUMENT. | | DWN | | |
| DIMENSIONS: mm | | CHK | | |
| TOLERANCES UNLESS OTHERWISE SPECIFIED: | | APVD | NAME | |
| 0 PLC | ± 0.3 | PRODUCT SPEC | HDMI FLAG CONNECTOR ASSEMBLY | |
| 1 PLC | ± 0.25 | APPLICATION SPEC | SIZE | CAGE CODE |
| 2 PLC | ± 0.10 | WEIGHT | A1 | 00779 |
| 3 PLC | ± 0.10 | CUSTOMER DRAWING | DRAWING NO. C=2007435 | |
| 4 PLC | ± 0.10 | SCALE | 8:1 | SHEET 6 OF 10 |
| ANGLES | ± | REV | D2 | |
| MATERIAL SEE TABLE | FINISH | | | |

| LOC | | DIST | | REVISIONS | | | |
|-----|-----|-------------|------|-----------|------|---|---|
| P | LTR | DESCRIPTION | DATE | DNW | APVD | | |
| - | - | SEE SHEET 1 | - | - | - | - | - |

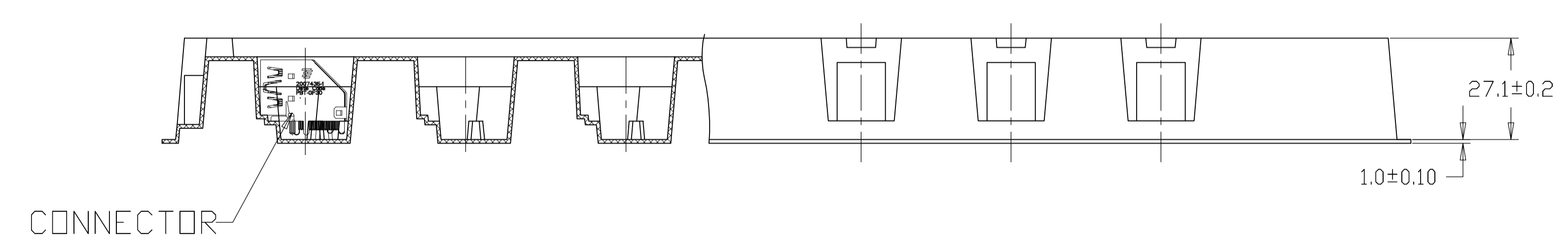
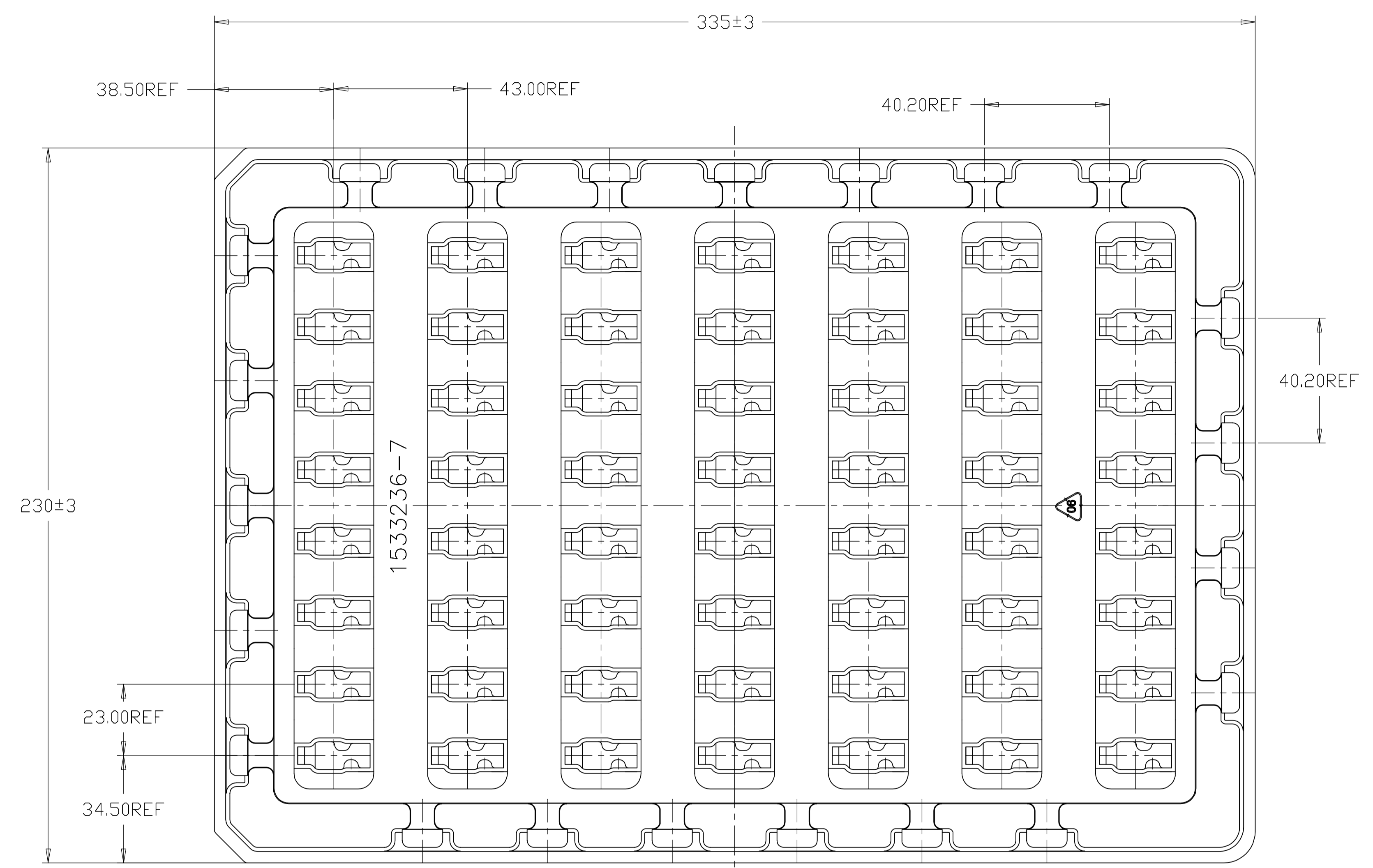


PCB LAYOUT SCALE 10:1

RECOMMENDED PANEL CUTOUT SCALE 10:1

| | | | | | | | | | | | | | | | | | | | | | | | |
|--|---|--|---|--------------------------------|-------|---|-----|-------|---|------|-------|---|-------|-------|---|--------|--------|---|---|------|--|------------------------------|--|
| THIS DRAWING IS A CONTROLLED DOCUMENT. | | DIN | | STE TE Connectivity | | | | | | | | | | | | | | | | | | | |
| DIMENSIONS: mm | | TOLERANCES UNLESS OTHERWISE SPECIFIED: | | NAME | | | | | | | | | | | | | | | | | | | |
| <table border="1"> <tr><td>0 PLC</td><td>±</td><td>-</td></tr> <tr><td>1 PLC</td><td>±</td><td>0.1</td></tr> <tr><td>2 PLC</td><td>±</td><td>0.10</td></tr> <tr><td>3 PLC</td><td>±</td><td>0.100</td></tr> <tr><td>4 PLC</td><td>±</td><td>0.1000</td></tr> <tr><td>ANGLES</td><td>±</td><td>-</td></tr> </table> | | 0 PLC | ± | - | 1 PLC | ± | 0.1 | 2 PLC | ± | 0.10 | 3 PLC | ± | 0.100 | 4 PLC | ± | 0.1000 | ANGLES | ± | - | APVD | | HDMI FLAG CONNECTOR ASSEMBLY | |
| 0 PLC | ± | - | | | | | | | | | | | | | | | | | | | | | |
| 1 PLC | ± | 0.1 | | | | | | | | | | | | | | | | | | | | | |
| 2 PLC | ± | 0.10 | | | | | | | | | | | | | | | | | | | | | |
| 3 PLC | ± | 0.100 | | | | | | | | | | | | | | | | | | | | | |
| 4 PLC | ± | 0.1000 | | | | | | | | | | | | | | | | | | | | | |
| ANGLES | ± | - | | | | | | | | | | | | | | | | | | | | | |
| MATERIAL | | FINISH | | PRODUCT SPEC | | | | | | | | | | | | | | | | | | | |
| | | | | APPLICATION SPEC | | | | | | | | | | | | | | | | | | | |
| | | | | SIZE | | | | | | | | | | | | | | | | | | | |
| | | | | A1 00779 C=2007435 | | | | | | | | | | | | | | | | | | | |
| | | | | RESTRICTED TO | | | | | | | | | | | | | | | | | | | |
| | | | | CUSTOMER DRAWING | | | | | | | | | | | | | | | | | | | |
| | | | | SCALE 8:1 SHEET 7 OF 10 REV D2 | | | | | | | | | | | | | | | | | | | |

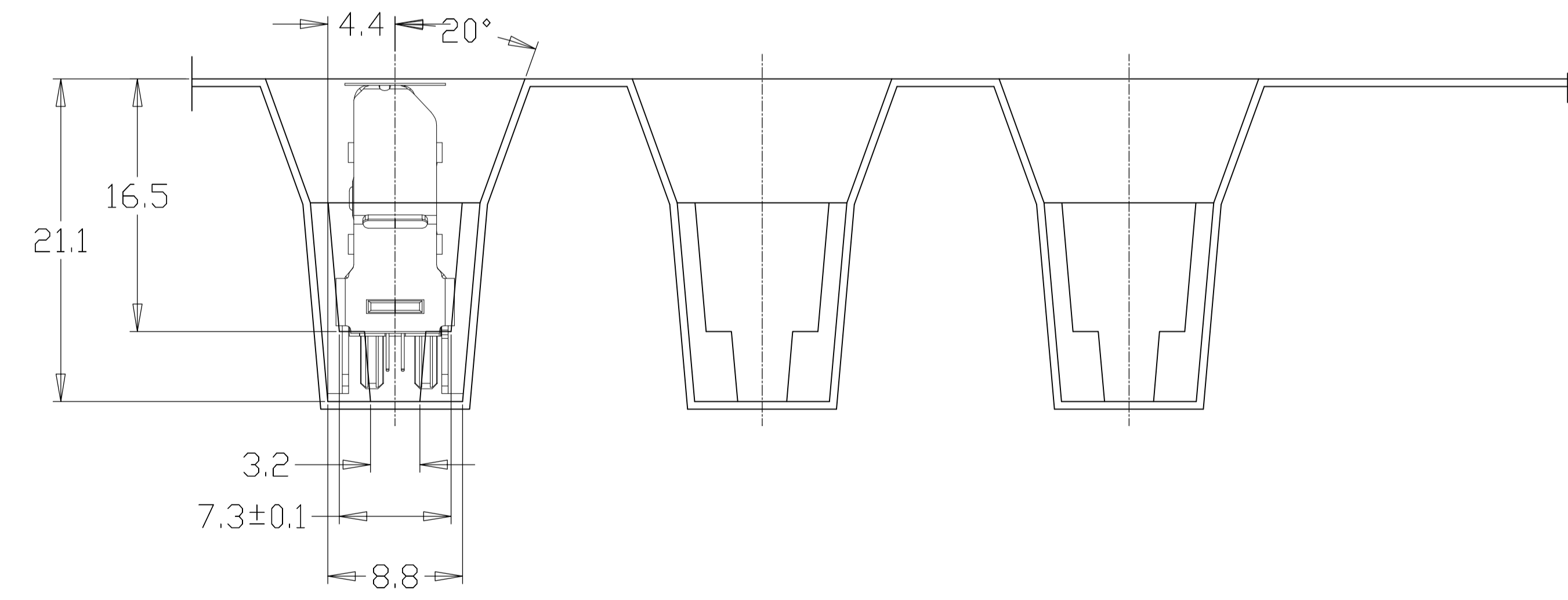
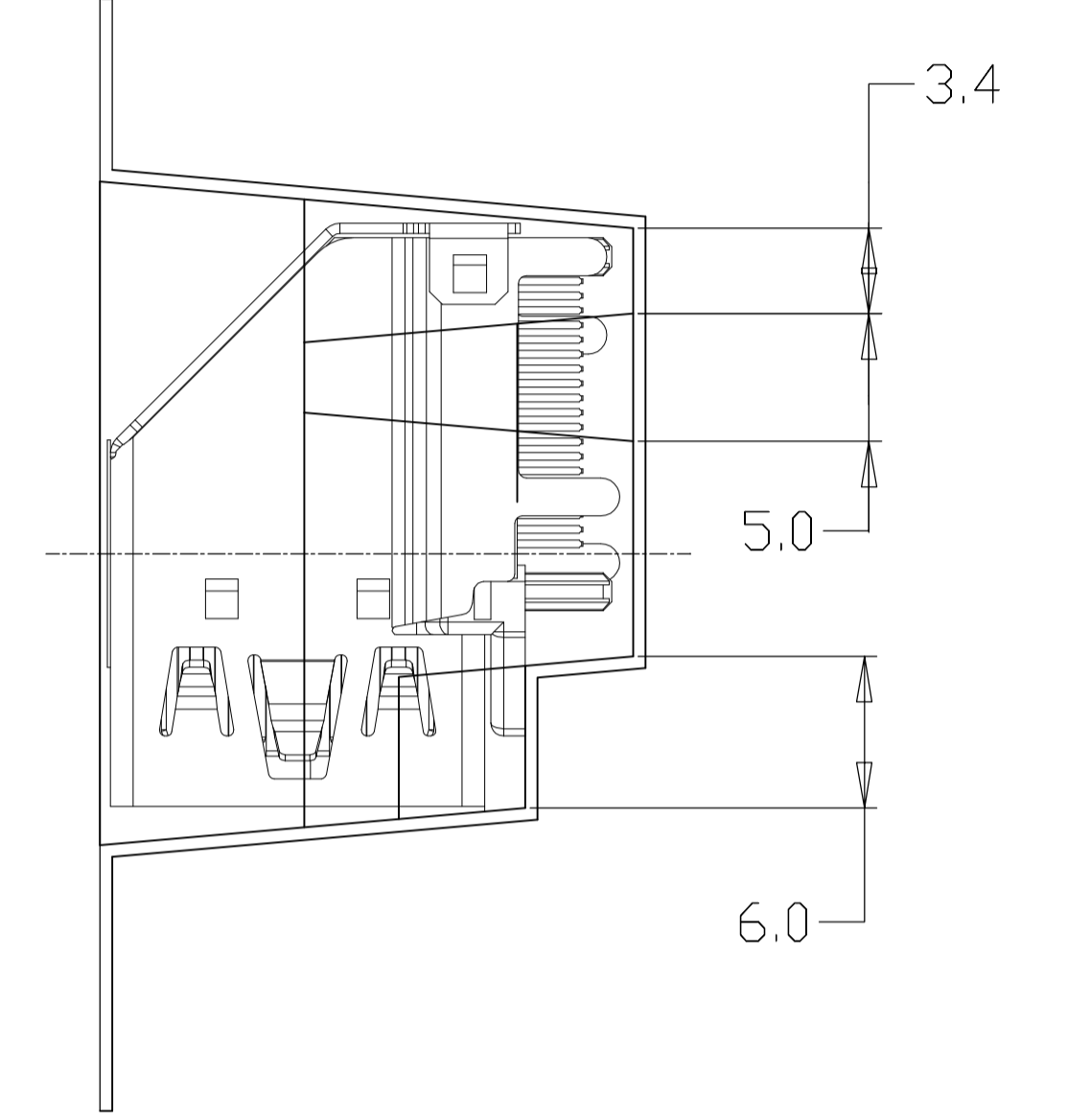
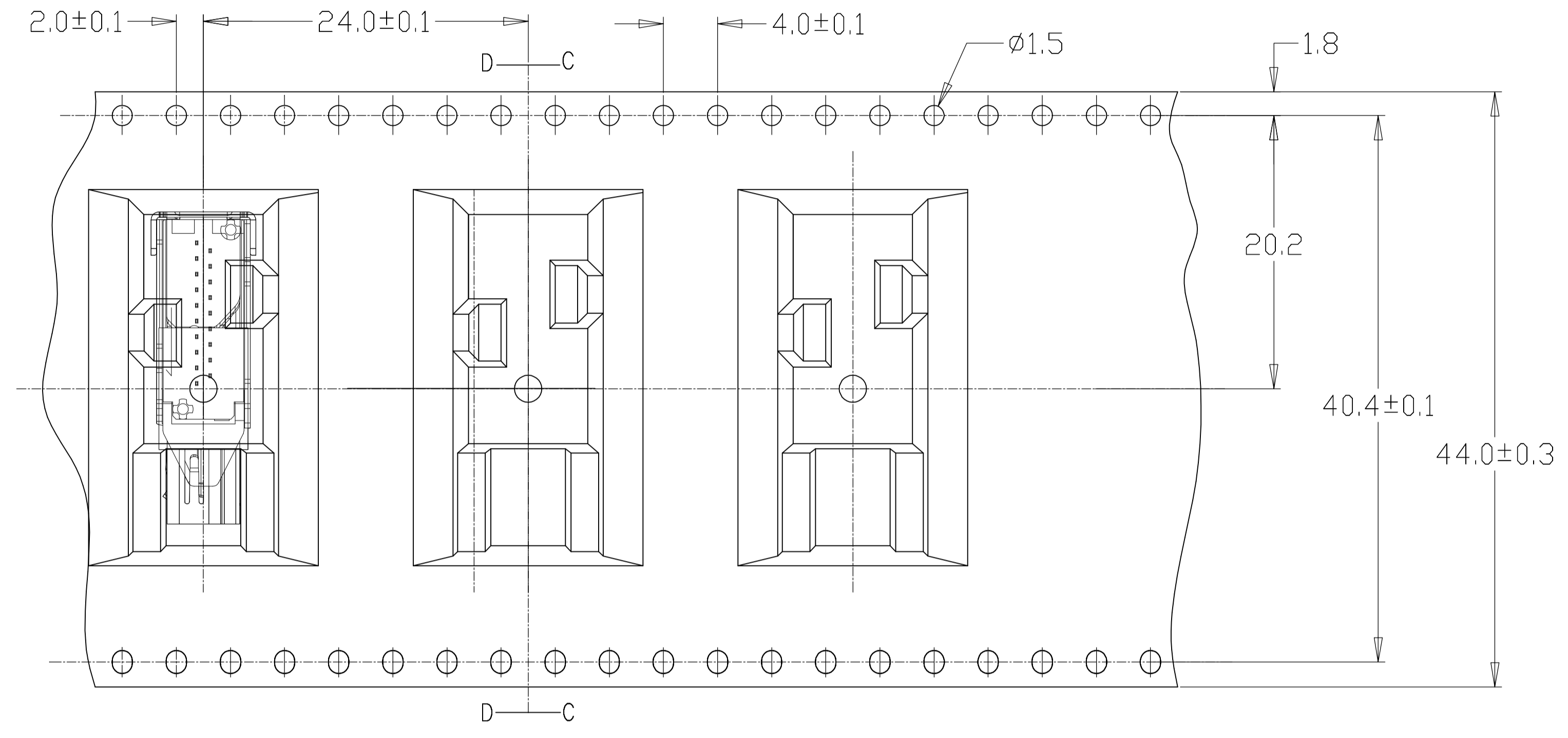
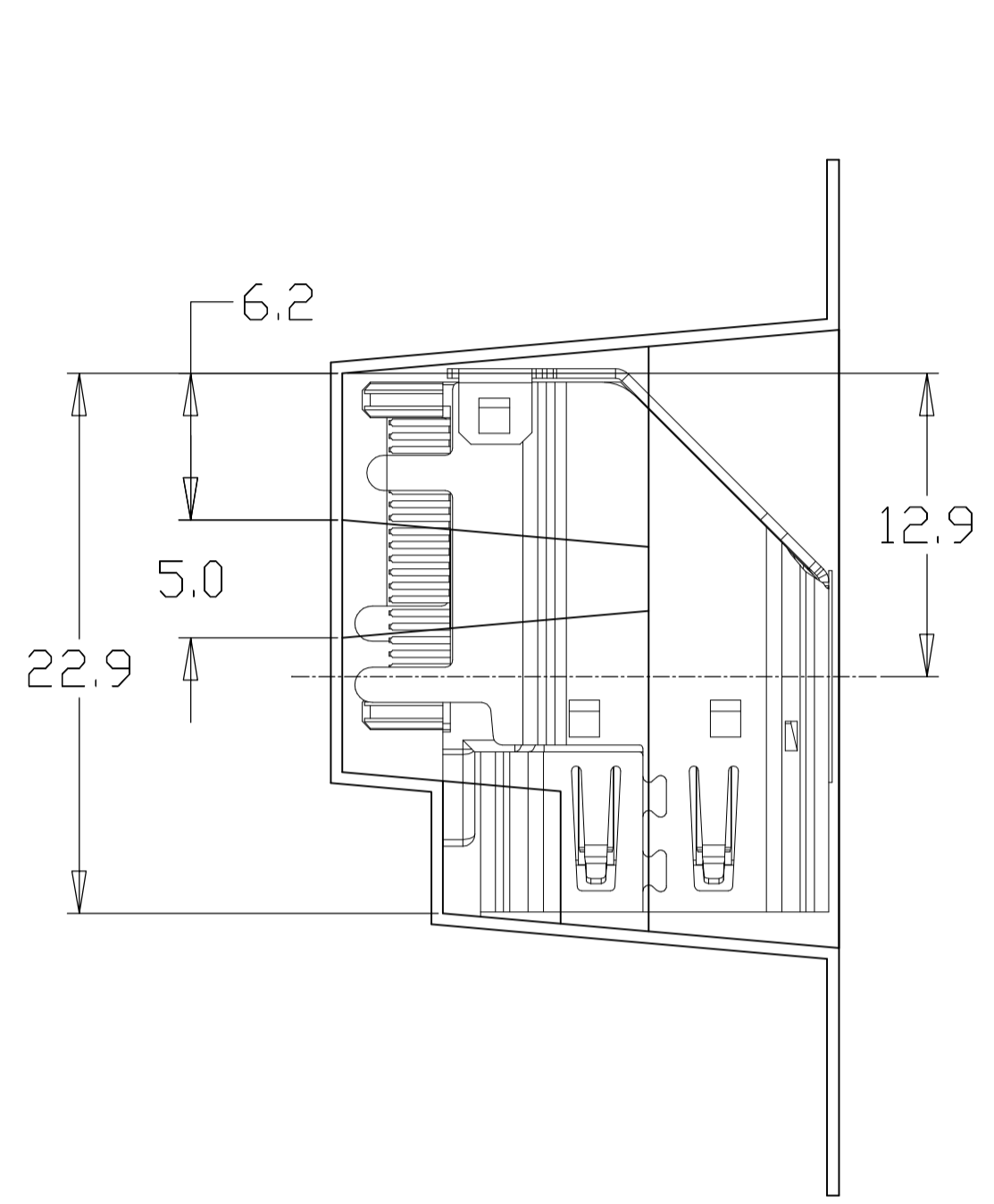
| LOC | | DIST | | REVISIONS | | | |
|-----|-----|-------------|------|-----------|------|---|---|
| P | LTR | DESCRIPTION | DATE | DN | APVD | | |
| - | - | SEE SHEET 1 | - | - | - | - | - |



PACKAGE TRAY
FOR PART NUMBER
2007435-1,-2,-3,-4,-5
2-2007435-1

| | | | | | |
|--|--|--|-----|--------------------|---------|
| THIS DRAWING IS A CONTROLLED DOCUMENT. | | DIN | | TE Connectivity | |
| DIMENSIONS: mm | | TOLERANCES UNLESS OTHERWISE SPECIFIED: | | | |
| | | 0. PLC | ± | NAME | |
| | | 1. PLC | ± | HDMI FLAG | |
| | | 2. PLC | ± | CONNECTOR ASSEMBLY | |
| | | 3. PLC | ± | PRODUCT SPEC | |
| | | 4. PLC | ± | APPLICATION SPEC | |
| | | ANGLES | ± | SIZE | |
| MATERIAL | | FINISH | | CAGE CODE | |
| | | | | DRAWING NO | |
| | | | | RESTRICTED TO | |
| | | | | A1 00779 C=2007435 | |
| CUSTOMER DRAWING | | SCALE | N/A | SHEET | 8 OF 10 |
| | | | | REV D2 | |

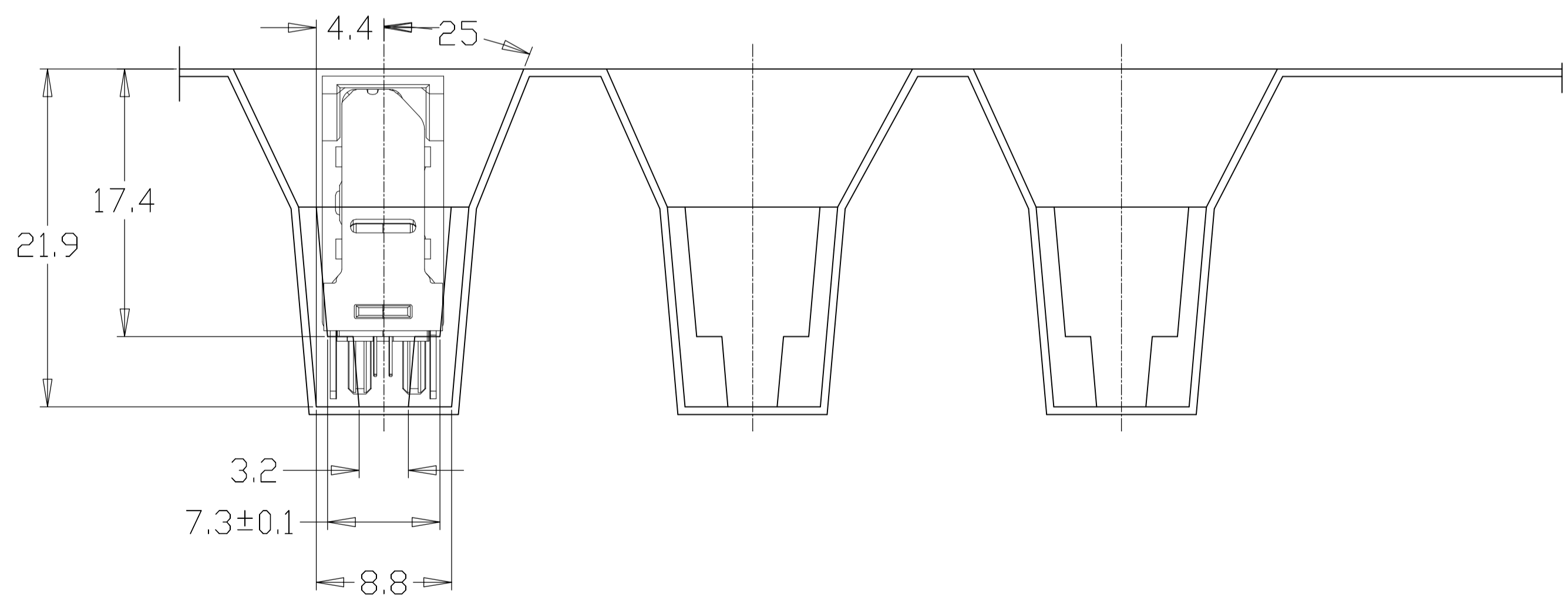
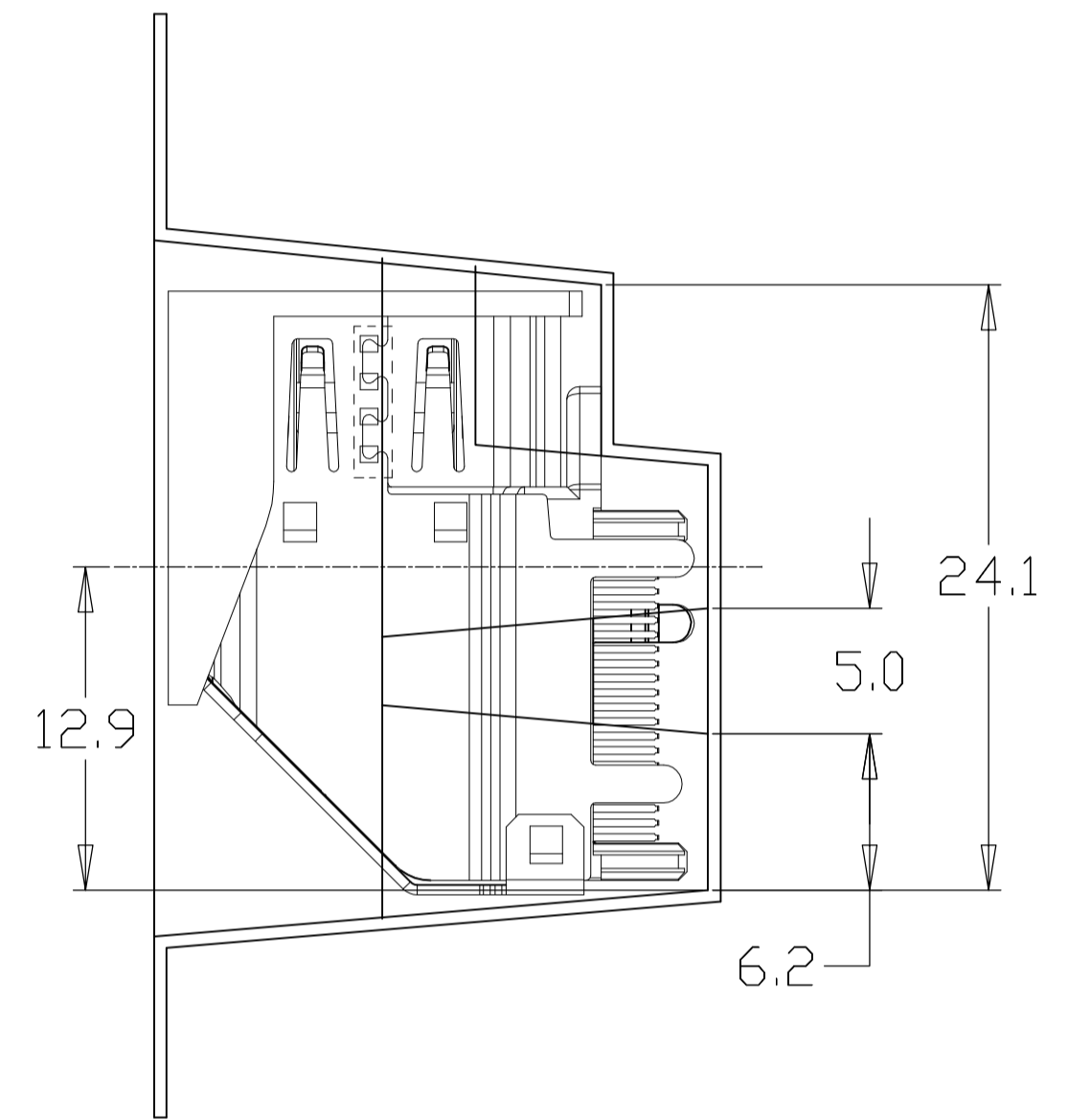
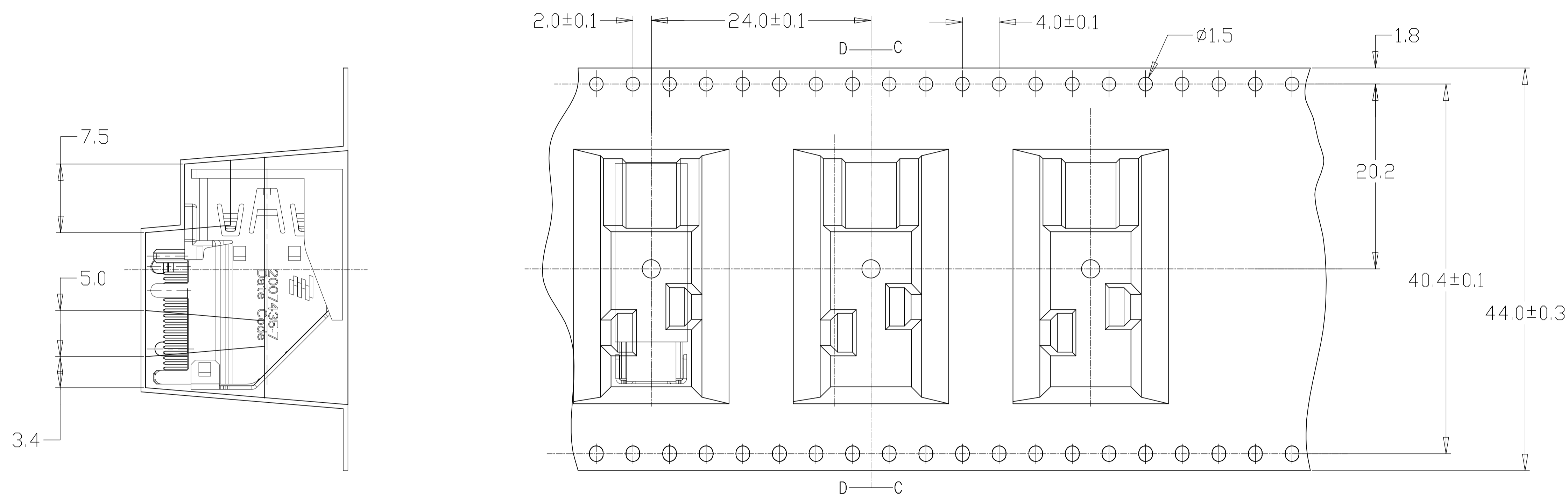
| LOC | | DIST | | REVISIONS | | | |
|-----|-----|-------------|------|-----------|------|---|---|
| P | LTR | DESCRIPTION | DATE | DN | APVD | | |
| - | - | SEE SHEET 1 | - | - | - | - | - |



EMBOSS TAPE
FOR PART NUMBER 2007435-6

| | | | | | |
|--|--|------------------|--|--|--|
| THIS DRAWING IS A CONTROLLED DOCUMENT. | | DIN | | TE Connectivity | |
| DIMENSIONS: mm | | CHK | | | |
| TOLERANCES UNLESS OTHERWISE SPECIFIED: | | APVD | | NAME | |
| 0. PLC ± 0.3 | | PRODUCT SPEC | | HDMI FLAG CONNECTOR ASSEMBLY | |
| 1. PLC ± 0.15 | | APPLICATION SPEC | | - | |
| 2. PLC ± 0.10 | | WEIGHT | | SIZE CAGE CODE DRAWING NO. RESTRICTED TO | |
| 3. PLC ± 0.10 | | CUSTOMER DRAWING | | A1 00779 C=2007435 | |
| 4. PLC ± 0.10 | | SCALE N/A | | SHEET 9 OF 10 REV D2 | |
| ANGLES ± 0.10 | | | | | |
| FINISH | | | | | |

| LOC | | DIST | | REVISIONS | | | |
|-----|-----|-------------|------|-----------|------|---|---|
| P | LTR | DESCRIPTION | DATE | DNW | APVD | | |
| - | - | SEE SHEET 1 | - | - | - | - | - |



EMBOSS TAPE
FOR PART NUMBER 2007435-7

| | | | | | |
|--|--|------------------|--|------------------------------|--|
| THIS DRAWING IS A CONTROLLED DOCUMENT. | | DIN | | TE Connectivity | |
| DIMENSIONS: mm | | CHK | | | |
| TOLERANCES UNLESS OTHERWISE SPECIFIED: | | APVD | | NAME | |
| 0. PLC ± 0.3 | | PRODUCT SPEC | | HDMI FLAG CONNECTOR ASSEMBLY | |
| 1. PLC ± 0.15 | | APPLICATION SPEC | | - | |
| 2. PLC ± 0.10 | | WEIGHT | | SIZE CAGE CODE DRAWING NO | |
| 3. PLC ± 0.10 | | CUSTOMER DRAWING | | A1 00779 C=2007435 | |
| 4. PLC ± 0.10 | | SCALE | | RESTRICTED TO | |
| ANGLES ± | | N/A | | - | |
| MATERIAL FINISH | | SHEET | | 10 OF 10 | |
| | | REV | | D2 | |

Компания «Океан Электроники» предлагает заключение долгосрочных отношений при поставках импортных электронных компонентов на взаимовыгодных условиях!

Наши преимущества:

- Поставка оригинальных импортных электронных компонентов напрямую с производств Америки, Европы и Азии, а так же с крупнейших складов мира;
- Широкая линейка поставок активных и пассивных импортных электронных компонентов (более 30 млн. наименований);
- Поставка сложных, дефицитных, либо снятых с производства позиций;
- Оперативные сроки поставки под заказ (от 5 рабочих дней);
- Экспресс доставка в любую точку России;
- Помощь Конструкторского Отдела и консультации квалифицированных инженеров;
- Техническая поддержка проекта, помощь в подборе аналогов, поставка прототипов;
- Поставка электронных компонентов под контролем ВП;
- Система менеджмента качества сертифицирована по Международному стандарту ISO 9001;
- При необходимости вся продукция военного и аэрокосмического назначения проходит испытания и сертификацию в лаборатории (по согласованию с заказчиком);
- Поставка специализированных компонентов военного и аэрокосмического уровня качества (Xilinx, Altera, Analog Devices, Intersil, Interpoint, Microsemi, Actel, Aeroflex, Peregrine, VPT, Syfer, Eurofarad, Texas Instruments, MS Kennedy, Miteq, Cobham, E2V, MA-COM, Hittite, Mini-Circuits, General Dynamics и др.);

Компания «Океан Электроники» является официальным дистрибьютором и эксклюзивным представителем в России одного из крупнейших производителей разъемов военного и аэрокосмического назначения «JONHON», а так же официальным дистрибьютором и эксклюзивным представителем в России производителя высокотехнологичных и надежных решений для передачи СВЧ сигналов «FORSTAR».



JONHON

«JONHON» (основан в 1970 г.)

Разъемы специального, военного и аэрокосмического назначения:

(Применяются в военной, авиационной, аэрокосмической, морской, железнодорожной, горно- и нефтедобывающей отраслях промышленности)

«FORSTAR» (основан в 1998 г.)

ВЧ соединители, коаксиальные кабели,
кабельные сборки и микроволновые компоненты:

(Применяются в телекоммуникациях гражданского и специального назначения, в средствах связи, РЛС, а так же военной, авиационной и аэрокосмической отраслях промышленности).



Телефон: 8 (812) 309-75-97 (многоканальный)

Факс: 8 (812) 320-03-32

Электронная почта: ocean@oceanchips.ru

Web: <http://oceanchips.ru/>

Адрес: 198099, г. Санкт-Петербург, ул. Калинина, д. 2, корп. 4, лит. А