

THIS DRAWING IS UNPUBLISHED. RELEASED FOR PUBLICATION 2001
 BY TYCO ELECTRONICS CORPORATION. ALL RIGHTS RESERVED.

LOC	DIST	REVISIONS					
		P	LTR	DESCRIPTION	DATE	DWN	APVD
			CI	RE-ACTIVATED PARTS	17 MAY 06	RF	GT

NOTES	MATERIAL	DESCRIPTION	SUPERSEDED BY P/N	TE AMP P/N	
-	-	-	0-182920-1	7-1437723-6	
SEE SHEET 5	MATERIAL: GLASSFIBER FILLED THERMOPLASTIC UL 94-V1 COLOUR: BLACK	PANEL MOUNT RECEPTACLE ASS'Y FOR SOCKET CONTACT	-	7-1437723-4	
-		-	0-182641-1	4-1437723-0	
-		-	0-211769-1	3-1437723-8	
-		-	0-182921-1	0-1437723-9	
-		-	PANEL MOUNT RECEPTACLE ASS'Y FOR PIN CONTACT	0-182918-1	7-1437723-2
-		-	-	0-183075-1	7-1437723-0
-		-	-	0-183040-1	3-1437723-6
-		-	-	0-211767-1	0-1437820-7
-		-	-	0-182917-1	0-1437723-7
-		-	-	0-206306-2	6-1437723-9
SEE SHEET 4	MATERIAL: GLASSFIBER FILLED THERMOPLASTIC UL 94-V1 COLOUR: BLACK	RECEPTACLE ASS'Y FOR SOCKET CONTACT	-	6-1437723-8	
-		-	0-206043-3	3-1437723-4	
-		-	0-211769-3	3-1437723-3	
-		-	0-183083-1	0-1437723-6	
-		-	RECEPTACLE ASS'Y FOR PIN CONTACT	0-206151-2	0-1437820-5
SEE SHEET 4		-	0-206838-2	6-1437723-7	
SEE SHEET 4		-	-	3-1437723-2	
-		-	-	3-1437723-1	
-		-	KEYING PLUG	0-182919-1	0-1437723-5
-		SEE RELEVANT DRAWINGS	0-183046-1	0-183047-1	6-1437718-0
SEE SHEET 3	SEE RELEVANT DRAWINGS	0-182926-1	6-1437723-1	5-1437723-9	
-	MATERIAL: GLASSFIBER FILLED THERMOPLASTIC UL 94-V1 COLOUR: BLACK	PLUG ASS'Y FOR PIN CONTACT	-	2-1437723-5	
-	-	0-182649-1	2-1437723-5	2-1437723-3	
-	-	0-211768-1	2-1437723-3	0-1437723-1	
-	-	0-182651-1	0-1437723-1	6-1437723-5	
-	SEE RELEVANT DRAWINGS	PLUG ASS'Y FOR SOCKET CONTACT	0-182923-1	6-1437723-3	
-	-	0-183073-1	6-1437723-3	2-1437723-9	
-	-	0-183039-1	2-1437723-9	2-1437723-7	
-	-	0-211766-1	2-1437723-7	0-1437723-3	
-	-	0-182647-1	0-1437723-3	9-1437723-2	
-	SEE RELEVANT DRAWINGS	STRAIN RELIEF	0-054012-1	9-1437723-2	
-	-	0-054011-1	4-1437723-3	0-1437820-8	
-	-	0-054010-1	0-1437820-8	1-1437727-5	
-	SEE RELEVANT DRAWINGS	PANEL MOUNT SEALING GASKET	0-081665-5	1-1437727-5	
-	-	0-081665-2	7-1437726-0	2-1437726-9	
-	-	0-081665-3	2-1437726-9	8-1437723-5	
-	SEE RELEVANT DRAWINGS	SEALING RING	0-206403-3	8-1437723-5	
-	-	0-206403-2	5-1437723-2	1-1437723-7	
-	-	0-206403-1	1-1437723-7	9-1437723-6	
-	SEE RELEVANT DRAWINGS	SEALING CUP (RECEPTACLE)	0-208680-1	9-1437723-6	
-	-	0-208652-1	9-1437723-1	1-1437723-2	
-	-	0-208800-1	1-1437723-2	9-1437723-7	
SEE SHEET 2	MATERIAL: GLASSFIBER FILLED THERMOPLASTIC UL 94-V1 COLOUR: BLACK	SEALING CAP (PLUG)	-	9-1437723-7	
-	-	0-183041-1	9-1437723-8	1-1437723-1	
-	-	0-183042-1	1-1437723-1	8-1437723-2	
SEE SHEET 2	MATERIAL: GLASSFIBER FILLED THERMOPLASTIC UL 94-V1 COLOUR: BLACK	BACKSHELL PG THREAD	-	7-1437723-9	
-	-	-	-	4-1437723-7	
-	-	-	-	4-1437723-4	
-	-	-	-	1-1437723-4	
-	SEE RELEVANT DRAWINGS	BACKSHELL CABLE CLAMP	0-182930-1	8-1437723-6	
-	-	0-182652-1	8-1437723-8	5-1437723-6	
-	-	0-182661-1	5-1437723-6	5-1437723-3	
-	-	0-182655-1	5-1437723-3	2-1437723-0	
-	-	0-182928-1	2-1437723-0	1-1437723-8	
-	-	0-182658-1	1-1437723-8		

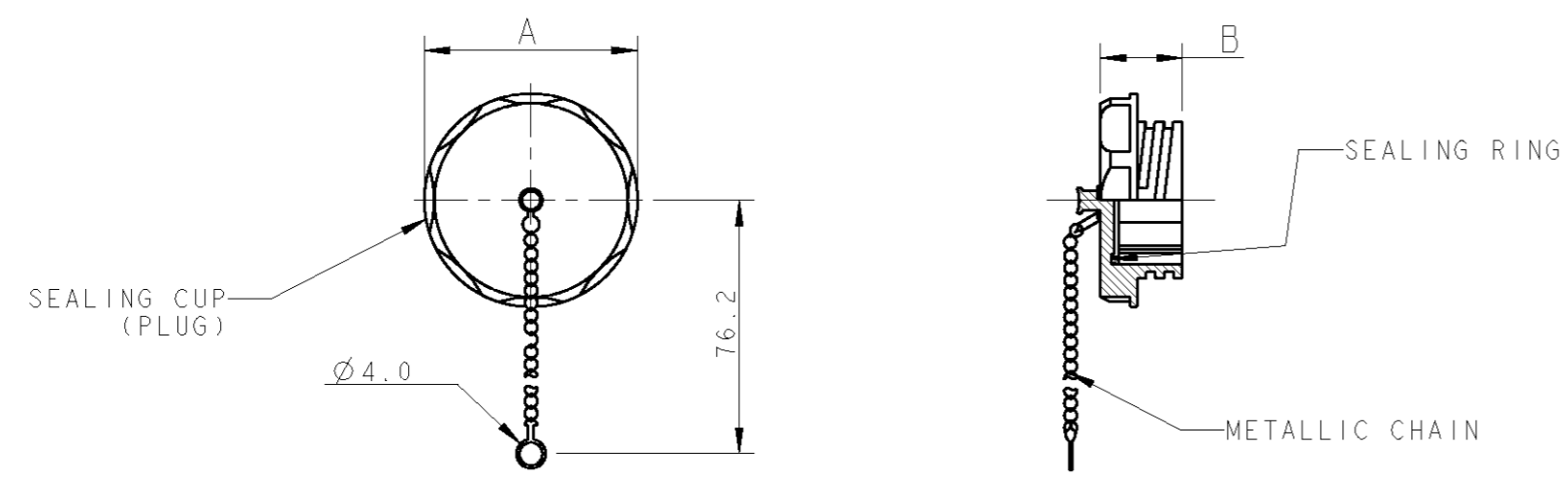
⚠ PARTS SUPERSEDED BY: CPC Series I
SEE P/Ns FOR REFERENCE

THIS DRAWING IS A CONTROLLED DOCUMENT FOR TYCO ELECTRONICS CORPORATION. IT IS SUBJECT TO CHANGE AND THE CONTROLLING ENGINEERING ORGANIZATION SHOULD BE CONTACTED FOR THE LATEST REVISION.		DWN R. FABRIS 21SEP2001	AMP Italia S.p.A. C.so F.lli Cervi, 15 COLLEGNO (TO)	
DIMENSIONS: mm		CHK C. TARTARI	NAME CIRCULAR PLASTIC CONNECTOR TIO SERIES PLUGS, RECEPTACLES, ACCESSORIES	
TOLERANCES UNLESS OTHERWISE SPECIFIED: 0 PLC ± 1 PLC ±0.3 2 PLC ± 3 PLC ± 4 PLC ± ANGLES ±°		APVD -	SIZE A2	
MATERIAL -		FINISH -	CAGE CODE 00779	DRAWING NO 1437723
		PRODUCT SPEC -	RESTRICTED TO -	
		APPLICATION SPEC -	SCALE -	
		WEIGHT -	SHEET 1 OF 5	
		CUSTOMER DRAWING	REV C1	

THIS DRAWING IS UNPUBLISHED. RELEASED FOR PUBLICATION 2001
 © COPYRIGHT 2001 BY TYCO ELECTRONICS CORPORATION. ALL RIGHTS RESERVED.

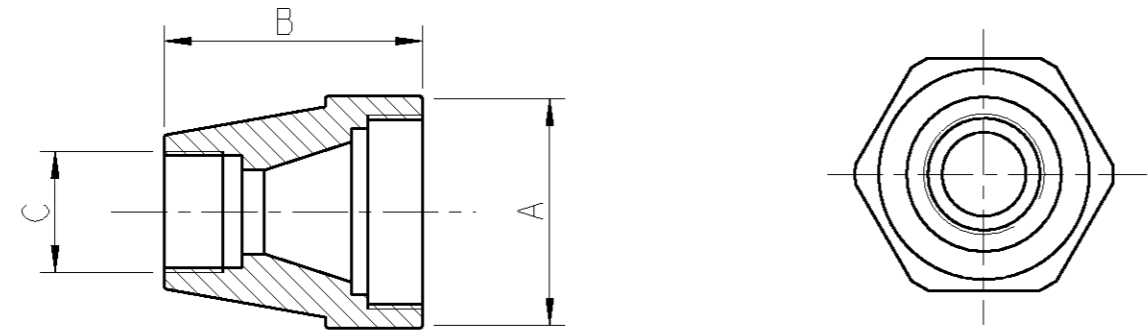
LOC		DIST		REVISIONS			
P	LTR	DATE	DWN	APVD			
-	-	-	-	-	SEE SHEET 1		

SEALING CAP, PLUG



-	-	17.3	44.2	23	SEALING CAP, PLUG	9-1437723-7	A
---	---	------	------	----	-------------------	-------------	---

BACKSHELL WITH PG THREAD



-	PG21	43.0	40.0	23	BACKSHELL WITH PG THREAD	8-1437723-2	A
-	PG16	43.0	40.0		BACKSHELL WITH PG THREAD	7-1437723-9	A
-	PG13.5	43.0	30.0	17	BACKSHELL WITH PG THREAD	4-1437723-7	A
-	PG11	43.0	30.0		BACKSHELL WITH PG THREAD	4-1437723-4	A
-	PG9	43.0	21.5		BACKSHELL WITH PG THREAD	1-1437723-4	A

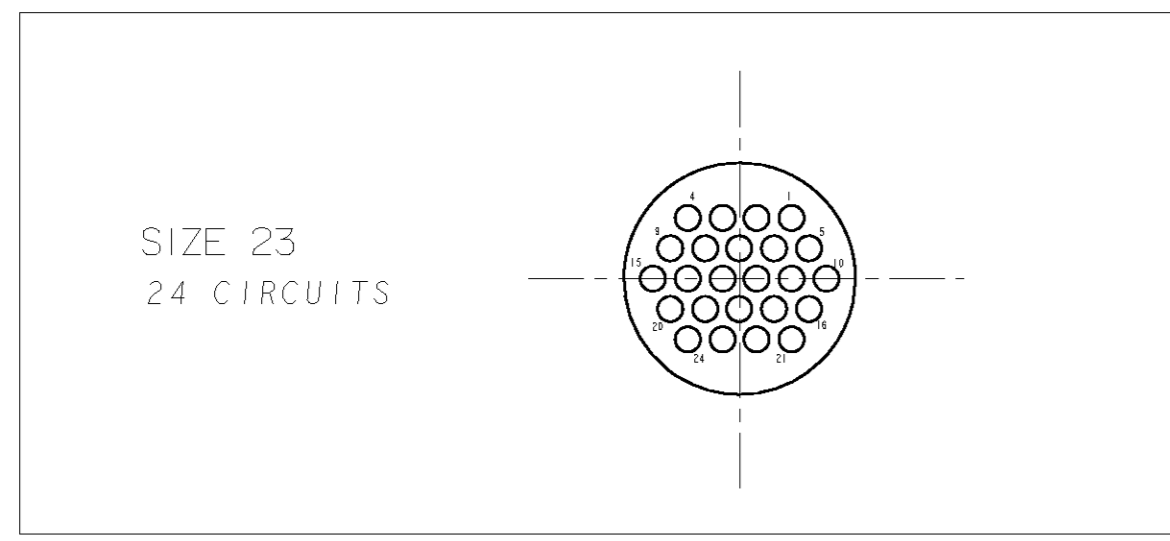
CABLE Ø RANGE	C	B	A	SIZE	DESCRIPTION	TE AMP P/N	REV
---------------	---	---	---	------	-------------	------------	-----

THIS DRAWING IS A CONTROLLED DOCUMENT FOR TYCO ELECTRONICS CORPORATION IT IS SUBJECT TO CHANGE AND THE CONTROLLING ENGINEERING ORGANIZATION SHOULD BE CONTACTED FOR THE LATEST REVISION		DWN 21SEP2001 R. FABRIS CHK - C. TARTARI APVD -	tyco Electronics AMP Italia S.p.A. C.so F.lli Cervi, 15 COLLENO (TO)
DIMENSIONS: mm	TOLERANCES UNLESS OTHERWISE SPECIFIED: 0 PLC ± 1 PLC ±0.3 2 PLC ± 3 PLC ± 4 PLC ± ANGLES ±° FINISH -	PRODUCT SPEC - APPLICATION SPEC - WEIGHT -	NAME CIRCULAR PLASTIC CONNECTOR T10 SERIES ACCESSORIES SIZE A2 CAGE CODE 00779 DRAWING NO. C-1437723 RESTRICTED TO -
MATERIAL -		CUSTOMER DRAWING SCALE - SHEET 2 OF 5 REV C1	

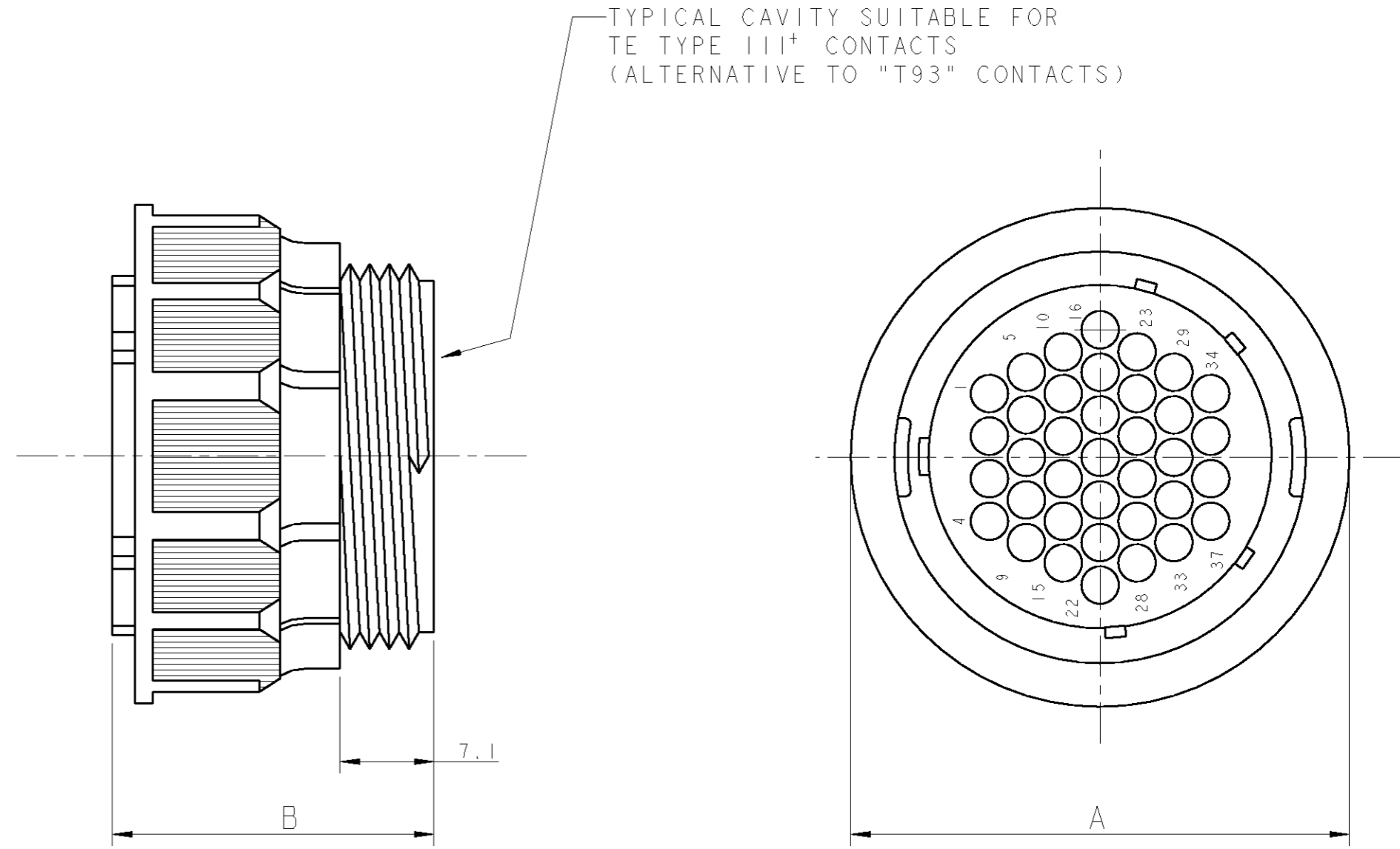
THIS DRAWING IS UNPUBLISHED. RELEASED FOR PUBLICATION 2001
 © COPYRIGHT 2001 BY TYCO ELECTRONICS CORPORATION. ALL RIGHTS RESERVED.

LOC	DIST	REVISIONS			
P	LTR	DESCRIPTION	DATE	DWN	APVD
-	-	SEE SHEET 1	-	-	-

CIRCUIT LAYOUT (View from "X")



"X" →



0-183047-1	3.6	34.0	44.5	24	23	PLUG ASS'Y FOR PIN CONTACT	5-1437723-9	A
KEYING PLUG (FOR REF. ONLY)	Ø MAX ALLOWABLE WIRE INS.	B	A	No. OF CIRCUITS	SIZE	DESCRIPTION	TE AMP P/N	REV

THIS DRAWING IS A CONTROLLED DOCUMENT FOR TYCO ELECTRONICS CORPORATION. IT IS SUBJECT TO CHANGE AND THE CONTROLLING ENGINEERING ORGANIZATION SHOULD BE CONTACTED FOR THE LATEST REVISION.

DWN: R. FABRIS 21SEP2001
 CHK: C. TARTARI
 APVD: -

tyco Electronics
 AMP Italia S.p.A.
 C.so F.lli Cervi, 15 COLLEGGNO (TO)

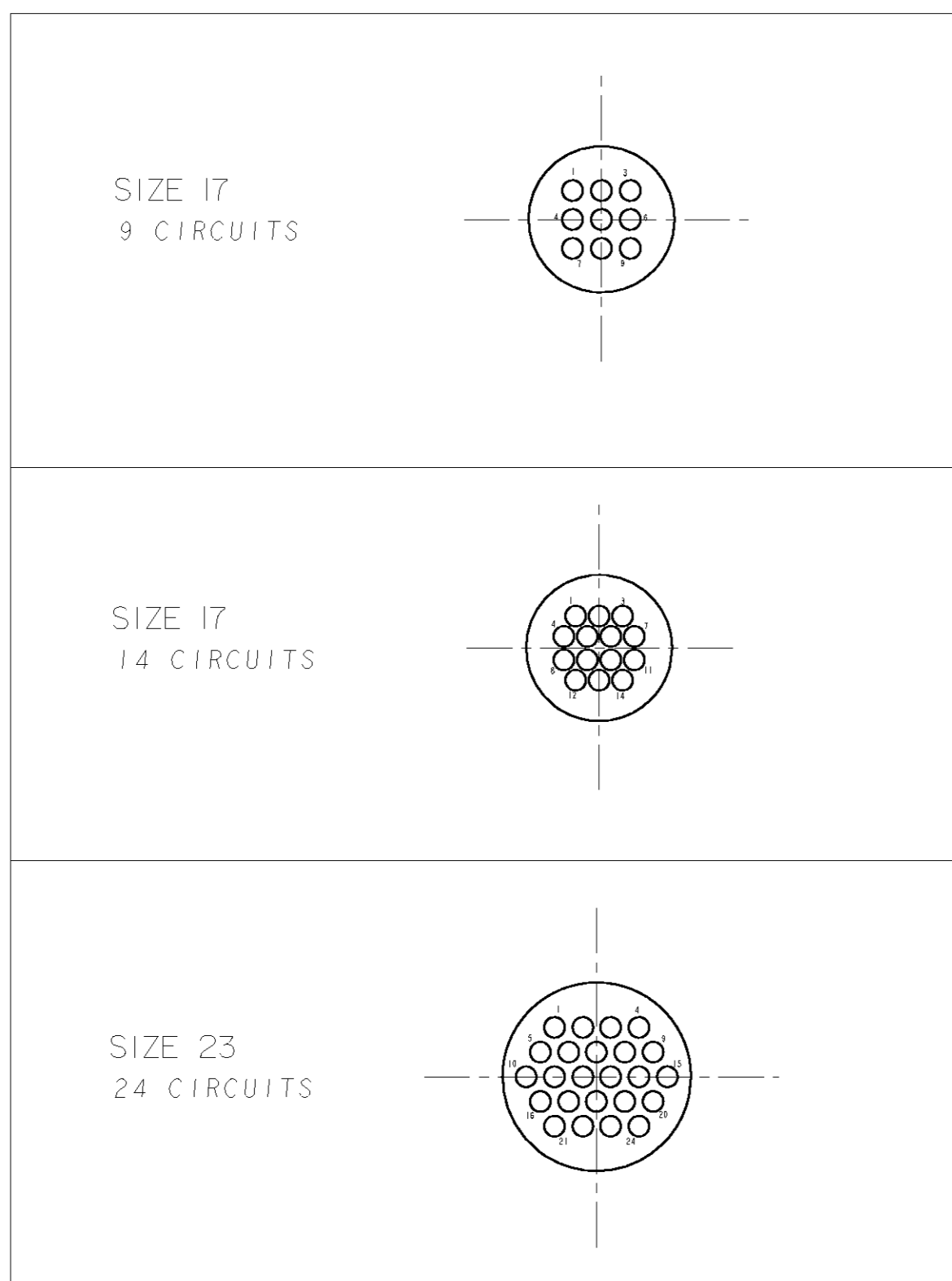
CIRCULAR PLASTIC CONNECTOR
 T10 SERIES
 PLUG ASS'Y

SIZE: A2 CAGE CODE: 00779 DRAWING NO: 1437723 RESTRICTED TO: -
 MATERIAL: - FINISH: - WEIGHT: -
 CUSTOMER DRAWING SCALE: - SHEET 3 OF 5 REV: C1

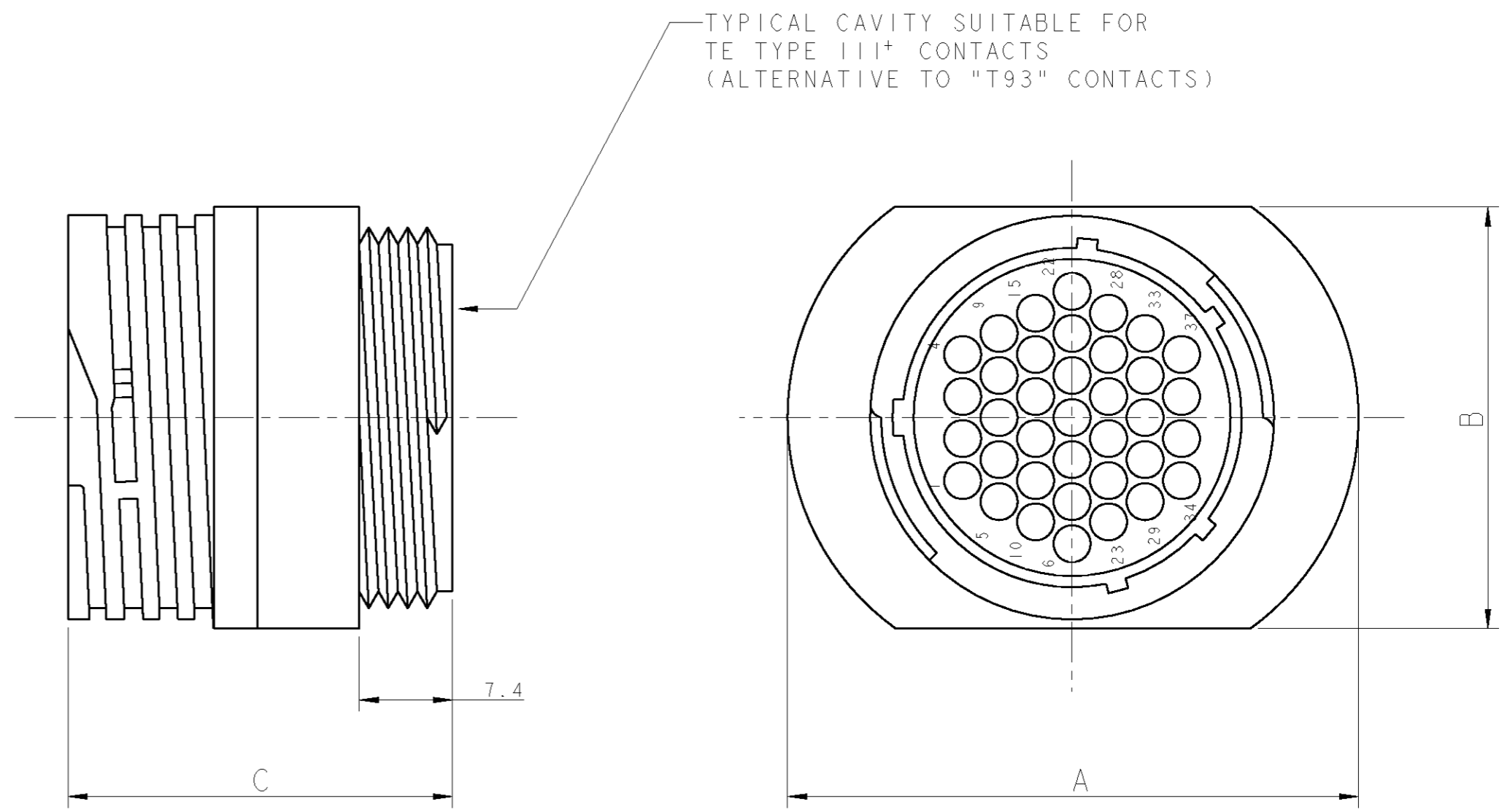
THIS DRAWING IS UNPUBLISHED. RELEASED FOR PUBLICATION 2001
 © COPYRIGHT 2001 BY TYCO ELECTRONICS CORPORATION. ALL RIGHTS RESERVED.

LOC	DIST	REVISIONS			
P	LTR	DESCRIPTION	DATE	DWN	APVD
-	-	SEE SHEET 1	-	-	-

CIRCUIT LAYOUT (View from "X")



"X" →



0-183046-1	3.6	26.9	37.8	43.9	24	23	RECEPTACLE ASS'Y FOR SOCKET CONTACT	6-1437723-8	A
0-183047-1	2.8	33.8	29.5	33.3	14	17	RECEPTACLE ASS'Y FOR PIN CONTACT	3-1437723-2	A
	3.6	33.8	29.5	33.3	9	17	RECEPTACLE ASS'Y FOR PIN CONTACT	3-1437723-1	A
KEYING PLUG (FOR REF. ONLY)	Ø MAX ALLOWABLE WIRE INS.	C	B	A	No. OF CIRCUITS	SIZE	DESCRIPTION	TE AMP P/N	REV

THIS DRAWING IS A CONTROLLED DOCUMENT FOR TYCO ELECTRONICS CORPORATION. IT IS SUBJECT TO CHANGE AND THE CONTROLLING ENGINEERING ORGANIZATION SHOULD BE CONTACTED FOR THE LATEST REVISION.

DWN: R. FABRIS 21SEP2001
 CHK: C. TARTARI
 APVD: -

tyco Electronics AMP Italia S.p.A.
 C.so F.lli Cervi, 15 COLLENO (TO)

NAME: CIRCULAR PLASTIC CONNECTOR T10 SERIES RECEPTACLE ASS'Y

SIZE: A2 CAGE CODE: 00779 DRAWING NO: 1437723 RESTRICTED TO: -

MATERIAL: - DIMENSIONS: mm TOLERANCES UNLESS OTHERWISE SPECIFIED: 0 PLC ±0.3 1 PLC ±0.3 2 PLC ±0.3 3 PLC ±0.3 4 PLC ±0.3 ANGLES ±° FINISH: -

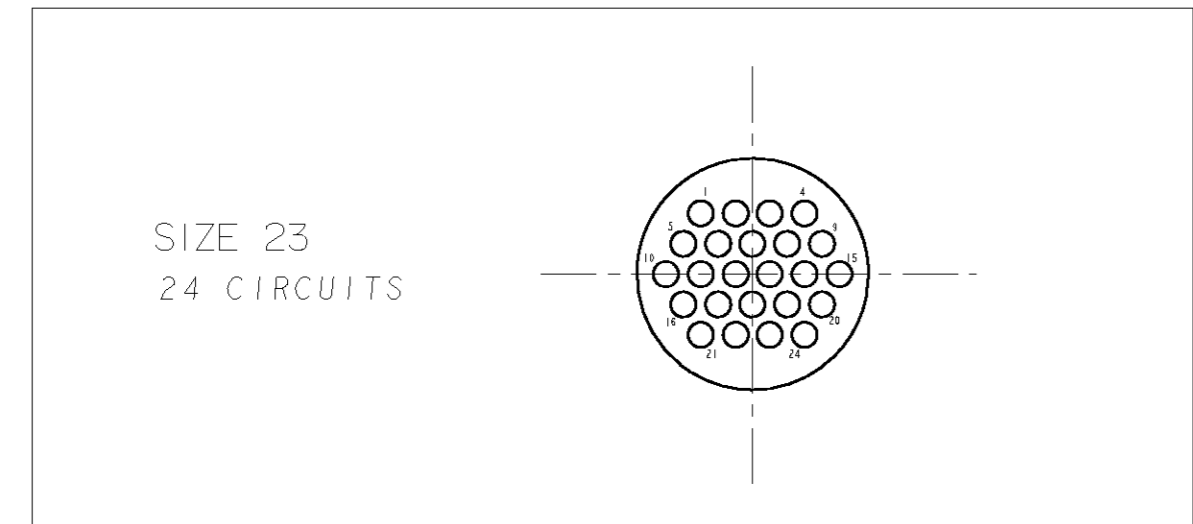
PRODUCT SPEC: - APPLICATION SPEC: - WEIGHT: -

CUSTOMER DRAWING SCALE: - SHEET 4 OF 5 REV: C1

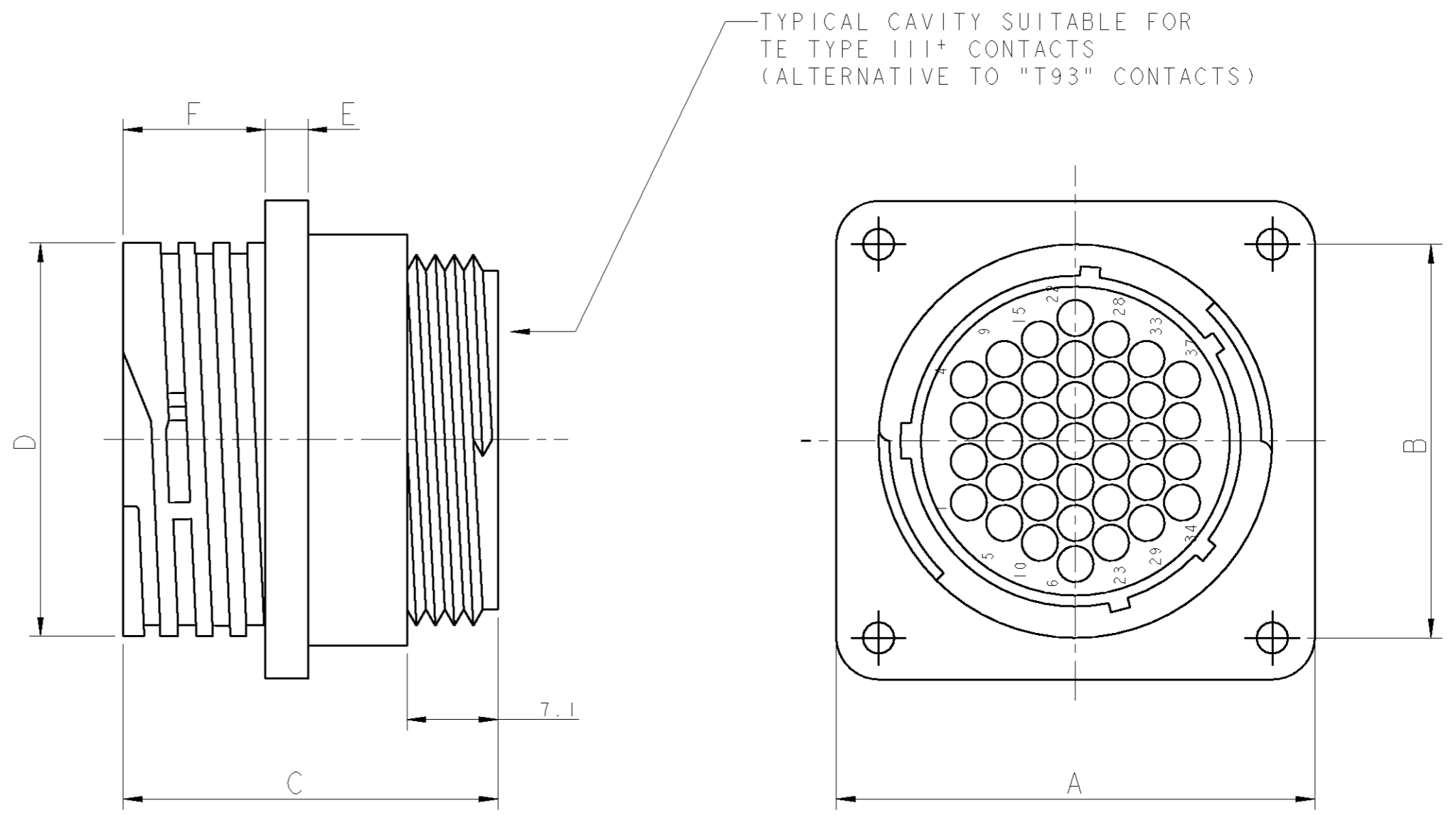
THIS DRAWING IS UNPUBLISHED. RELEASED FOR PUBLICATION 2001
 © COPYRIGHT 2001 BY TYCO ELECTRONICS CORPORATION. ALL RIGHTS RESERVED.

LOC		DIST		REVISIONS			
P	LTR	DATE	DWN	APVD			
-	-	-	-	-	SEE SHEET 1		

CIRCUIT LAYOUT (View from "X")



"X" →



0-183046-1	3.6	13.5	4.1	36.3	26.9	36.6	44.5	38.6	24	23	PANEL MOUNT RECEPTACLE ASS'Y FOR SOCKET CONTACT	7-1437723-4	A
KEYING PLUG (FOR REF. ONLY)	Ø MAX ALLOWABLE WIRE INS.	F	E	D	C	B	A	PANEL CUT OUT Ø	No. OF CIRCUITS	SIZE	DESCRIPTION	TE AMP P/N	REV

THIS DRAWING IS A CONTROLLED DOCUMENT FOR TYCO ELECTRONICS CORPORATION. IT IS SUBJECT TO CHANGE AND THE CONTROLLING ENGINEERING ORGANIZATION SHOULD BE CONTACTED FOR THE LATEST REVISION.

DWN: R. FABRIS 21SEP2001
 CHK: C. TARTARI
 APVD: -

tyco Electronics AMP Italia S.p.A.
 C.so F.lli Cervi, 15 COLLEGNO (TO)

NAME: CIRCULAR PLASTIC CONNECTOR T10 SERIES PANEL MOUNT RECEPTACLE ASS'Y

SIZE: A2 CAGE CODE: 00779 DRAWING NO: 1437723 RESTRICTED TO: -

CUSTOMER DRAWING SCALE: - SHEET 5 OF 5 REV: C1

Компания «Океан Электроники» предлагает заключение долгосрочных отношений при поставках импортных электронных компонентов на взаимовыгодных условиях!

Наши преимущества:

- Поставка оригинальных импортных электронных компонентов напрямую с производств Америки, Европы и Азии, а так же с крупнейших складов мира;
- Широкая линейка поставок активных и пассивных импортных электронных компонентов (более 30 млн. наименований);
- Поставка сложных, дефицитных, либо снятых с производства позиций;
- Оперативные сроки поставки под заказ (от 5 рабочих дней);
- Экспресс доставка в любую точку России;
- Помощь Конструкторского Отдела и консультации квалифицированных инженеров;
- Техническая поддержка проекта, помощь в подборе аналогов, поставка прототипов;
- Поставка электронных компонентов под контролем ВП;
- Система менеджмента качества сертифицирована по Международному стандарту ISO 9001;
- При необходимости вся продукция военного и аэрокосмического назначения проходит испытания и сертификацию в лаборатории (по согласованию с заказчиком);
- Поставка специализированных компонентов военного и аэрокосмического уровня качества (Xilinx, Altera, Analog Devices, Intersil, Interpoint, Microsemi, Actel, Aeroflex, Peregrine, VPT, Syfer, Eurofarad, Texas Instruments, MS Kennedy, Miteq, Cobham, E2V, MA-COM, Hittite, Mini-Circuits, General Dynamics и др.);

Компания «Океан Электроники» является официальным дистрибьютором и эксклюзивным представителем в России одного из крупнейших производителей разъемов военного и аэрокосмического назначения «JONHON», а так же официальным дистрибьютором и эксклюзивным представителем в России производителя высокотехнологичных и надежных решений для передачи СВЧ сигналов «FORSTAR».



JONHON

«JONHON» (основан в 1970 г.)

Разъемы специального, военного и аэрокосмического назначения:

(Применяются в военной, авиационной, аэрокосмической, морской, железнодорожной, горно- и нефтедобывающей отраслях промышленности)

«FORSTAR» (основан в 1998 г.)

ВЧ соединители, коаксиальные кабели, кабельные сборки и микроволновые компоненты:

(Применяются в телекоммуникациях гражданского и специального назначения, в средствах связи, РЛС, а так же военной, авиационной и аэрокосмической отраслях промышленности).



Телефон: 8 (812) 309-75-97 (многоканальный)

Факс: 8 (812) 320-03-32

Электронная почта: ocean@oceanchips.ru

Web: <http://oceanchips.ru/>

Адрес: 198099, г. Санкт-Петербург, ул. Калинина, д. 2, корп. 4, лит. А