

300 mA 36 V Input Regulator for Automotive Applications

NO. EC-300-160929

OUTLINE

The R1511x is a CMOS-based high-voltage resistant and fast response voltage regulator that provides the minimum 300mA of output current. Internally, R1511x consists of an Output Short-circuit Protection Circuit, an Over-current Protection Circuit, and a Thermal Shutdown Circuit in addition to the basic regulator circuits. The operating temperature range is between -40°C to 125°C , and the maximum input voltage is 36V. All these features allow the R1511x to become an ideal power source for car accessories and ECUs.

R1511x is available in R1511xxxxB with the fixed output voltage type, and R1511x001C with adjustable output voltage type with external resistors. The output voltage accuracy is $\pm 1.0\%$.

R1511x is available in two types of packages for ultra high wattage: HSOP-6J and TO-252-5-P2.

FEATURES

- Input Voltage Range (Maximum Rating) 3.5V to 36V (50 V)
- Supply Current Typ. 100 μA
- Standby Current Typ. 0.1 μA (R1511xxxxB)
- Output Voltage Range R1511xxxxB: 3.0 V to 9.0 V (0.1 V step)
R1511x001C: 3.0V to 12.0V (Adjustable with external resistor)
- Output Voltage Accuracy R1511xxxxB: $\pm 1.0\%$ ($T_a=25^{\circ}\text{C}$)
- Feedback Voltage R1511x001C: 3.0V $\pm 1.0\%$ ($T_a=25^{\circ}\text{C}$)
- Output Voltage Temperature-Drift Coefficient Typ. $\pm 60\text{ppm}/^{\circ}\text{C}$
- Line Regulation Typ. 0.01%/V ($V_{\text{DD}}=V_{\text{OUT}}+0.5\text{V}$ to 36V)
- Dropout Voltage Typ. 0.64V ($I_{\text{OUT}}=300\text{mA}$, $V_{\text{OUT}}=5.0\text{V}$)
- Package Option HSOP-6J, TO-252-5-P2
- Built-in Output Short-circuit Protection Circuit Typ. 50mA
- Built-in Over-current Protection Circuit Typ. 450mA
- Built-in Thermal Shutdown Circuit Thermal Shutdown Temperature: Typ. 160°C
- Operating Temperature Range -40 to 125°C
- Ripple Rejection Typ. 65dB (1kHz)
- Ceramic capacitors are recommended to be used with this IC
..... $C_{\text{IN}}=1.0\mu\text{F}$ or more, $C_{\text{OUT}}=6.8\mu\text{F}$ or more

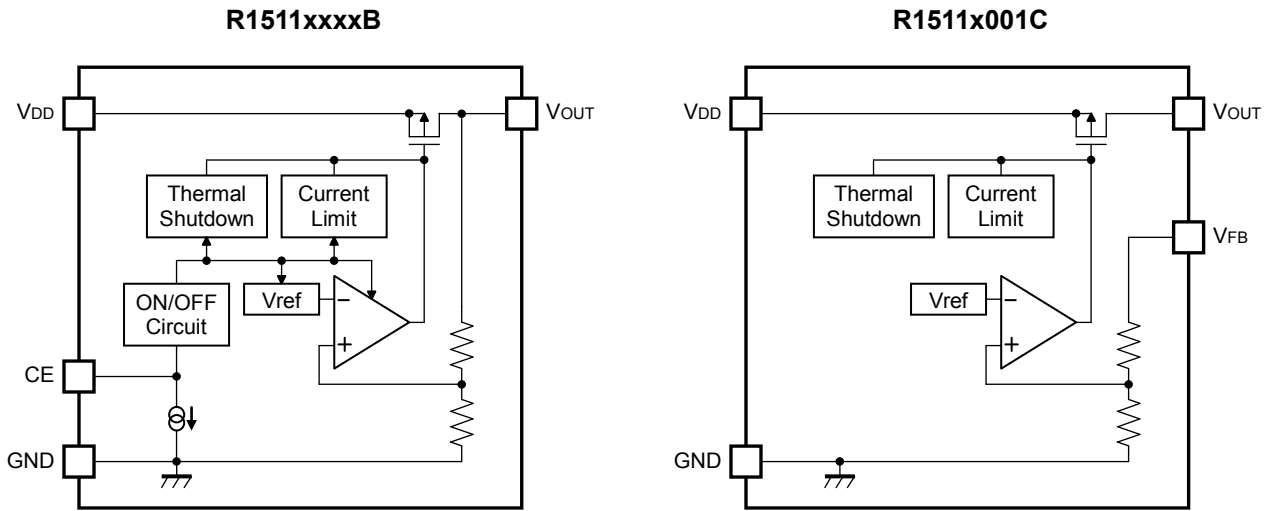
APPLICATIONS

- Power source for accessories such as car audios, car navigation systems, and ETC systems
- Power source for ECUs such as EV inverter and battery charge control unit

R1511x

NO. EC-300-160929

BLOCK DIAGRAMS



SELECTION GUIDE

The output voltage, version and the package type for the ICs can be selected at the user's request.

Product Name	Package	Quantity per Reel	Pb Free	Halogen Free
R1511Sxxx*-E2-#E	HSOP-6J	1,000 pcs	Yes	Yes
R1511Jxxx*-T1-#E	TO-252-5-P2	3,000 pcs	Yes	Yes

xxx : Specify the set output voltage (V_{SET})
 R1511xxxxB: 3.0 V (030) to 9.0 V (090) in 0.1 V step
 R1511x001C: Only (001)

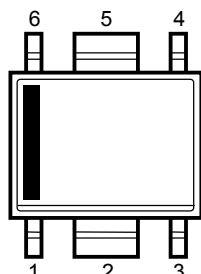
* : Specify the version
 (B): Fixed output and Built-in Chip Enable (Active-high)
 (C): Adjustable output

: Specify Automotive Class Code

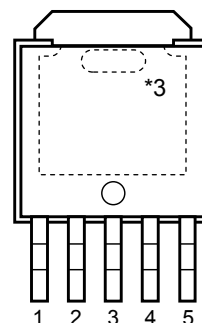
	Operating Temperature Range	Guaranteed Specs Temperature Range	Screening
A	-40°C to 125°C	25°C	High Temperature
K	-40°C to 125°C	-40°C to 125°C	High and Low Temperature

PIN DESCRIPTIONS

● HSOP-6J



● TO-252-5-P2



HSOP-6J

Pin No.	Symbol	Description	
1	V_{DD}	Input Pin	
2	GND^{*1}	Ground Pin	
3	GND^{*1}	Ground Pin	
4	CE	R1511SxxxB	Chip Enable Pin (Active-high)
	V_{FB}	R1511S001C	Feed Back Pin
5	GND^{*1}	Ground Pin	
6	V_{OUT}	Output Pin	

*1 The GND pin must be wired together when it is mounted on board.

TO-252-5-P2

Pin No.	Symbol	Description	
1	V_{DD}	Input Pin	
2	GND^{*2}	Ground Pin	
3	GND^{*2}	Ground Pin	
4	CE	R1511JxxxB	Chip Enable Pin (Active-high)
	V_{FB}	R1511J001C	Feed Back Pin
5	V_{OUT}	Output Pin	

*2 The GND pin must be wired together when it is mounted on board.

*3 The tab on the bottom of the package enhances thermal performance and is electrically connected to GND (substrate level). It is recommended that the tab be connected to the ground plane on the board, or otherwise be left open.

R1511x

NO. EC-300-160929

ABSOLUTE MAXIMUM RATINGS

Symbol	Item	Rating	Unit	
V _{IN}	Input Voltage	-0.3 to 50	V	
V _{IN}	Peak Input Voltage* ¹	60	V	
V _{CE}	Input Voltage (CE Pin)	-0.3 to 50	V	
V _{FB}	Input Voltage (V _{FB} Pin)	-0.3 to 50	V	
V _{OUT}	Output Voltage	-0.3 to V _{IN} +0.3 ≤ 50	V	
I _{OUT}	Output Current	450	mA	
P _D	Power Dissipation (HSOP-6J)* ²	Standard Land Pattern	2100	mW
		Ultra High Wattage Land Pattern	3400	
	Power Dissipation (TO-252-5-P2)* ²	Standard Land Pattern	2350	
		Ultra High Wattage Land Pattern	4800	
T _J	Operating Junction Temperature Range	-40 to 150	°C	
T _{stg}	Storage Temperature Range	-55 to 150	°C	

*¹ Duration time: 200ms*² Refer to *PACKAGE INFORMATION* for detailed information.**ABSOLUTE MAXIMUM RATINGS**

Electronic and mechanical stress momentarily exceeded absolute maximum ratings may cause the permanent damages and may degrade the lifetime and safety for both device and system using the device in the field. The functional operation at or over these absolute maximum ratings are not assured.

RECOMMENDED OPERATING CONDITIONS

Symbol	Item	Rating	Unit
V _{IN}	Input Voltage	3.5 to 36	V
T _a	Operating Temperature Range	-40 to 125	°C

RECOMMENDED OPERATING CONDITIONS

All of electronic equipment should be designed that the mounted semiconductor devices operate within the recommended operating conditions. The semiconductor devices cannot operate normally over the recommended operating conditions, even if when they are used over such conditions by momentary electronic noise or surge. And the semiconductor devices may receive serious damage when they continue to operate over the recommended operating conditions.

ELECTRICAL CHARACTERISTICS

$C_{IN}=1.0\mu F$, $C_{OUT}=6.8\mu F$, unless otherwise noted.

The specifications surrounded by are guaranteed by design engineering at $-40^{\circ}C \leq T_a \leq 125^{\circ}C$.

R1511xxxxB-AE

($T_a=25^{\circ}C$)

Symbol	Item	Conditions	Min.	Typ.	Max.	Unit
I_{SS}	Supply Current	$V_{IN}=V_{SET}+1.0V$, $I_{OUT}=0mA$		100	<input type="checkbox"/> 180	μA
$I_{standby}$	Standby Current	$V_{IN}=36V$, $V_{CE}=0V$		0.1	<input type="checkbox"/> 2.0	μA
V_{OUT}	Output Voltage	$V_{IN}=V_{SET}+2.0V$ $I_{OUT}=1mA$	$T_a=25^{\circ}C$	$\times 0.99$	$\times 1.01$	V
			$-40^{\circ}C \leq T_a \leq 125^{\circ}C$	<input type="checkbox"/> $\times 0.98$	<input type="checkbox"/> $\times 1.02$	
$\frac{\Delta V_{OUT}}{\Delta I_{OUT}}$	Load Regulation	$V_{IN}=V_{SET}+2.0V$ $1mA \leq I_{OUT} \leq 300mA$	$V_{SET} \leq 5.0V$	<input type="checkbox"/> -20	<input type="checkbox"/> 100	mV
			$5.0V < V_{SET}$	<input type="checkbox"/> -20	<input type="checkbox"/> 120	
$\frac{\Delta V_{OUT}}{\Delta V_{IN}}$	Line Regulation	$V_{SET}+0.5V \leq V_{IN} \leq 36V$, $I_{OUT}=1mA$		0.01	<input type="checkbox"/> 0.02	%/V
V_{DIF}	Dropout Voltage	$I_{OUT}=300mA$	Refer to the <i>Product-specific Electrical Characteristics</i>			
I_{LIM}	Output Current Limit	$V_{IN}=V_{SET}+2.5V$		450		mA
I_{SC}	Short Current Limit	$V_{OUT}=0V$		50		mA
V_{CEH}	CE Input Voltage "H"		<input type="checkbox"/> 2.2		36	V
V_{CEL}	CE Input Voltage "L"		0		<input type="checkbox"/> 1.0	V
I_{PD}	CE Pull-down Current	$V_{CE}=5.0V$		0.2	<input type="checkbox"/> 0.6	μA
		$V_{CE}=36V$		0.5	<input type="checkbox"/> 1.3	
T_{TSD}	Thermal Shutdown Temperature	Junction Temperature		160		$^{\circ}C$
T_{TSR}	Thermal Shutdown Released Temperature	Junction Temperature		135		$^{\circ}C$

All test items listed under Electrical Characteristics are done under the pulse load condition ($T_j \approx T_a = 25^{\circ}C$).

R1511x

NO. EC-300-160929

Product-specific Electrical CharacteristicsThe specifications surrounded by are guaranteed by design engineering at $-40^{\circ}\text{C} \leq T_a \leq 125^{\circ}\text{C}$.**R1511xxxxB-AE**

(Ta=25°C)

Product Name	V _{OUT} [V]					V _{DIF} [V]	
	(Ta = 25°C)			(Ta = -40°C to 125°C)		TYP.	MAX.
	MIN.	TYP.	MAX.	MIN.	MAX.		
R1511x030x	2.970	3.000	3.030	<input type="checkbox"/> 2.940	<input type="checkbox"/> 3.060	0.98	<input type="checkbox"/> 1.50
R1511x031x	3.069	3.100	3.131	<input type="checkbox"/> 3.038	<input type="checkbox"/> 3.162		
R1511x032x	3.168	3.200	3.232	<input type="checkbox"/> 3.136	<input type="checkbox"/> 3.264	0.94	<input type="checkbox"/> 1.40
R1511x033x	3.267	3.300	3.333	<input type="checkbox"/> 3.234	<input type="checkbox"/> 3.366		
R1511x034x	3.366	3.400	3.434	<input type="checkbox"/> 3.332	<input type="checkbox"/> 3.468		
R1511x035x	3.465	3.500	3.535	<input type="checkbox"/> 3.430	<input type="checkbox"/> 3.570	0.88	<input type="checkbox"/> 1.30
R1511x036x	3.564	3.600	3.636	<input type="checkbox"/> 3.528	<input type="checkbox"/> 3.672		
R1511x037x	3.663	3.700	3.737	<input type="checkbox"/> 3.626	<input type="checkbox"/> 3.774		
R1511x038x	3.762	3.800	3.838	<input type="checkbox"/> 3.724	<input type="checkbox"/> 3.876		
R1511x039x	3.861	3.900	3.939	<input type="checkbox"/> 3.822	<input type="checkbox"/> 3.978	0.79	<input type="checkbox"/> 1.20
R1511x040x	3.960	4.000	4.040	<input type="checkbox"/> 3.920	<input type="checkbox"/> 4.080		
R1511x041x	4.059	4.100	4.141	<input type="checkbox"/> 4.018	<input type="checkbox"/> 4.182		
R1511x042x	4.158	4.200	4.242	<input type="checkbox"/> 4.116	<input type="checkbox"/> 4.284		
R1511x043x	4.257	4.300	4.343	<input type="checkbox"/> 4.214	<input type="checkbox"/> 4.386		
R1511x044x	4.356	4.400	4.444	<input type="checkbox"/> 4.312	<input type="checkbox"/> 4.488	0.71	<input type="checkbox"/> 1.10
R1511x045x	4.455	4.500	4.545	<input type="checkbox"/> 4.410	<input type="checkbox"/> 4.590		
R1511x046x	4.554	4.600	4.646	<input type="checkbox"/> 4.508	<input type="checkbox"/> 4.692		
R1511x047x	4.653	4.700	4.747	<input type="checkbox"/> 4.606	<input type="checkbox"/> 4.794		
R1511x048x	4.752	4.800	4.848	<input type="checkbox"/> 4.704	<input type="checkbox"/> 4.896		
R1511x049x	4.851	4.900	4.949	<input type="checkbox"/> 4.802	<input type="checkbox"/> 4.998	0.64	<input type="checkbox"/> 1.00
R1511x050x	4.950	5.000	5.050	<input type="checkbox"/> 4.900	<input type="checkbox"/> 5.100		
R1511x051x	5.049	5.100	5.151	<input type="checkbox"/> 4.998	<input type="checkbox"/> 5.202		
R1511x052x	5.148	5.200	5.252	<input type="checkbox"/> 5.096	<input type="checkbox"/> 5.304		
R1511x053x	5.247	5.300	5.353	<input type="checkbox"/> 5.194	<input type="checkbox"/> 5.406		
R1511x054x	5.346	5.400	5.454	<input type="checkbox"/> 5.292	<input type="checkbox"/> 5.508		
R1511x055x	5.445	5.500	5.555	<input type="checkbox"/> 5.390	<input type="checkbox"/> 5.610	0.59	<input type="checkbox"/> 0.90
R1511x056x	5.544	5.600	5.656	<input type="checkbox"/> 5.488	<input type="checkbox"/> 5.712		
R1511x057x	5.643	5.700	5.757	<input type="checkbox"/> 5.586	<input type="checkbox"/> 5.814		
R1511x058x	5.742	5.800	5.858	<input type="checkbox"/> 5.684	<input type="checkbox"/> 5.916		
R1511x059x	5.841	5.900	5.959	<input type="checkbox"/> 5.782	<input type="checkbox"/> 6.018		

R1511xxxxB-AE

(Ta=25°C)

Product Name	V _{OUT} [V]					V _{DIF} [V]	
	(Ta = 25°C)			(Ta = -40°C to 125°C)		TYP.	MAX.
	MIN.	TYP.	MAX.	MIN.	MAX.		
R1511x060x	5.940	6.000	6.060	<u>5.880</u>	<u>6.120</u>	0.59	<u>0.90</u>
R1511x061x	6.039	6.100	6.161	<u>5.978</u>	<u>6.222</u>		
R1511x062x	6.138	6.200	6.262	<u>6.076</u>	<u>6.324</u>		
R1511x063x	6.237	6.300	6.363	<u>6.174</u>	<u>6.426</u>		
R1511x064x	6.336	6.400	6.464	<u>6.272</u>	<u>6.528</u>		
R1511x065x	6.435	6.500	6.565	<u>6.370</u>	<u>6.630</u>		
R1511x066x	6.534	6.600	6.666	<u>6.468</u>	<u>6.732</u>		
R1511x067x	6.633	6.700	6.767	<u>6.566</u>	<u>6.834</u>		
R1511x068x	6.732	6.800	6.868	<u>6.664</u>	<u>6.936</u>		
R1511x069x	6.831	6.900	6.969	<u>6.762</u>	<u>7.038</u>	0.54	<u>0.80</u>
R1511x070x	6.930	7.000	7.070	<u>6.860</u>	<u>7.140</u>		
R1511x071x	7.029	7.100	7.171	<u>6.958</u>	<u>7.242</u>		
R1511x072x	7.128	7.200	7.272	<u>7.056</u>	<u>7.344</u>		
R1511x073x	7.227	7.300	7.373	<u>7.154</u>	<u>7.446</u>		
R1511x074x	7.326	7.400	7.474	<u>7.252</u>	<u>7.548</u>		
R1511x075x	7.425	7.500	7.575	<u>7.350</u>	<u>7.650</u>		
R1511x076x	7.524	7.600	7.676	<u>7.448</u>	<u>7.752</u>		
R1511x077x	7.623	7.700	7.777	<u>7.546</u>	<u>7.854</u>		
R1511x078x	7.722	7.800	7.878	<u>7.644</u>	<u>7.956</u>		
R1511x079x	7.821	7.900	7.979	<u>7.742</u>	<u>8.058</u>		
R1511x080x	7.920	8.000	8.080	<u>7.840</u>	<u>8.160</u>		
R1511x081x	8.019	8.100	8.181	<u>7.938</u>	<u>8.262</u>	0.47	<u>0.70</u>
R1511x082x	8.118	8.200	8.282	<u>8.036</u>	<u>8.364</u>		
R1511x083x	8.217	8.300	8.383	<u>8.134</u>	<u>8.466</u>		
R1511x084x	8.316	8.400	8.484	<u>8.232</u>	<u>8.568</u>		
R1511x085x	8.415	8.500	8.585	<u>8.330</u>	<u>8.670</u>		
R1511x086x	8.514	8.600	8.686	<u>8.428</u>	<u>8.772</u>		
R1511x087x	8.613	8.700	8.787	<u>8.526</u>	<u>8.874</u>		
R1511x088x	8.712	8.800	8.888	<u>8.624</u>	<u>8.976</u>		
R1511x089x	8.811	8.900	8.989	<u>8.722</u>	<u>9.078</u>		
R1511x090x	8.910	9.000	9.090	<u>8.820</u>	<u>9.180</u>		

R1511x

NO. EC-300-160929

 $V_{OUT}=V_{FB}$, $C_{IN}=1.0\mu F$, $C_{OUT}=6.8\mu F$, unless otherwise noted.**The specifications surrounded by are guaranteed by design engineering at $-40^{\circ}\text{C} \leq T_a \leq 125^{\circ}\text{C}$.****R1511x001C-AE**(T_a=25°C)

Symbol	Item	Conditions	Min.	Typ.	Max.	Unit
I _{SS}	Supply Current	V _{IN} =4.0V, I _{OUT} =0mA		100	180	μA
V _{OUT}	Output Voltage	V _{IN} =5.0V I _{OUT} =1mA	T _a =25°C	2.97	3.03	V
			-40°C≤T _a ≤125°C	2.94	3.06	
$\frac{\Delta V_{OUT}}{\Delta I_{OUT}}$	Load Regulation	V _{IN} =5.0V 1mA≤I _{OUT} ≤300mA	-20		40	mV
$\frac{\Delta V_{OUT}}{\Delta V_{IN}}$	Line Regulation	V _{SET} +0.5V≤V _{IN} ≤36V I _{OUT} =1mA		0.01	0.02	%/V
V _{DIF}	Dropout Voltage	I _{OUT} =300mA		0.98	1.5	V
I _{LIM}	Output Current Limit	V _{IN} =V _{SET} +2.5V		450		mA
I _{SC}	Short Current Limit	V _{OUT} =0V		50		mA
R _{FB}	V _{FB} Pin Resistanse		1.0	3.0		MΩ
T _{TSD}	Thermal Shutdown Temperature	Junction Temperature		160		°C
T _{TSR}	Thermal Shutdown Released Temperature	Junction Temperature		135		°C

All test items listed under Electrical Characteristics are done under the pulse load condition (T_j≈T_a=25°C).

$C_{IN}=1.0\mu F$, $C_{OUT}=6.8\mu F$, unless otherwise noted.

R1511xxxxB-KE

($-40^{\circ}C \leq T_a \leq 125^{\circ}C$)

Symbol	Item	Conditions	Min.	Typ.	Max.	Unit
I_{SS}	Supply Current	$V_{IN}=V_{SET}+1.0V$, $I_{OUT}=0mA$		100	180	μA
$I_{standby}$	Standby Current	$V_{IN}=36V$, $V_{CE}=0V$		0.1	2.0	μA
V_{OUT}	Output Voltage	$V_{IN}=V_{SET}+2.0V$ $I_{OUT}=1mA$	$T_a=25^{\circ}C$	$\times 0.99$	$\times 1.01$	V
			$-40^{\circ}C \leq T_a \leq 125^{\circ}C$	$\times 0.98$	$\times 1.02$	
$\frac{\Delta V_{OUT}}{\Delta I_{OUT}}$	Load Regulation	$V_{IN}=V_{SET}+2.0V$ $1mA \leq I_{OUT} \leq 300mA$	$V_{SET} \leq 5.0V$	-20	100	mV
			$5.0V < V_{SET}$	-20	120	
$\frac{\Delta V_{OUT}}{\Delta V_{IN}}$	Line Regulation	$V_{SET}+0.5V \leq V_{IN} \leq 36V$, $I_{OUT}=1mA$	-0.02	0.01	0.02	%/V
V_{DIF}	Dropout Voltage	$I_{OUT}=300mA$	Refer to the <i>Product-specific Electrical Characteristics</i>			
I_{LIM}	Output Current Limit	$V_{IN}=V_{SET}+2.5V$	300	450	610	mA
I_{SC}	Short Current Limit	$V_{IN}=5V$, $V_{OUT}=0V$	35	50	65	mA
V_{CEH}	CE Input Voltage "H"		2.2		36	V
V_{CEL}	CE Input Voltage "L"		0		1.0	V
I_{PD}	CE Pull-down Current	$V_{CE}=5.0V$		0.2	0.6	μA
		$V_{CE}=36V$		0.5	1.3	
T_{TSD}	Thermal Shutdown Temperature	Junction Temperature	150	160		$^{\circ}C$
T_{TSR}	Thermal Shutdown Released Temperature	Junction Temperature	125	135		$^{\circ}C$

R1511x

NO. EC-300-160929

Product-specific Electrical Characteristics

Product Name	V_{OUT} [V]					V_{DIF} [V]	
	(Ta = 25°C)			(Ta = -40°C to 125°C)		TYP.	MAX.
	MIN.	TYP.	MAX.	MIN.	MAX.		
R1511x030x	2.970	3.000	3.030	2.940	3.060	0.98	1.50
R1511x031x	3.069	3.100	3.131	3.038	3.162		
R1511x032x	3.168	3.200	3.232	3.136	3.264	0.94	1.40
R1511x033x	3.267	3.300	3.333	3.234	3.366		
R1511x034x	3.366	3.400	3.434	3.332	3.468		
R1511x035x	3.465	3.500	3.535	3.430	3.570	0.88	1.30
R1511x036x	3.564	3.600	3.636	3.528	3.672		
R1511x037x	3.663	3.700	3.737	3.626	3.774		
R1511x038x	3.762	3.800	3.838	3.724	3.876		
R1511x039x	3.861	3.900	3.939	3.822	3.978	0.79	1.20
R1511x040x	3.960	4.000	4.040	3.920	4.080		
R1511x041x	4.059	4.100	4.141	4.018	4.182		
R1511x042x	4.158	4.200	4.242	4.116	4.284		
R1511x043x	4.257	4.300	4.343	4.214	4.386	0.71	1.10
R1511x044x	4.356	4.400	4.444	4.312	4.488		
R1511x045x	4.455	4.500	4.545	4.410	4.590		
R1511x046x	4.554	4.600	4.646	4.508	4.692		
R1511x047x	4.653	4.700	4.747	4.606	4.794		
R1511x048x	4.752	4.800	4.848	4.704	4.896		
R1511x049x	4.851	4.900	4.949	4.802	4.998	0.64	1.00
R1511x050x	4.950	5.000	5.050	4.900	5.100		
R1511x051x	5.049	5.100	5.151	4.998	5.202		
R1511x052x	5.148	5.200	5.252	5.096	5.304		
R1511x053x	5.247	5.300	5.353	5.194	5.406		
R1511x054x	5.346	5.400	5.454	5.292	5.508		
R1511x055x	5.445	5.500	5.555	5.390	5.610	0.59	0.90
R1511x056x	5.544	5.600	5.656	5.488	5.712		
R1511x057x	5.643	5.700	5.757	5.586	5.814		
R1511x058x	5.742	5.800	5.858	5.684	5.916		
R1511x059x	5.841	5.900	5.959	5.782	6.018		
R1511x060x	5.940	6.000	6.060	5.880	6.120		
R1511x061x	6.039	6.100	6.161	5.978	6.222	0.54	0.80
R1511x062x	6.138	6.200	6.262	6.076	6.324		
R1511x063x	6.237	6.300	6.363	6.174	6.426		
R1511x064x	6.336	6.400	6.464	6.272	6.528		
R1511x065x	6.435	6.500	6.565	6.370	6.630		
R1511x066x	6.534	6.600	6.666	6.468	6.732		
R1511x067x	6.633	6.700	6.767	6.566	6.834	0.54	0.80
R1511x068x	6.732	6.800	6.868	6.664	6.936		
R1511x069x	6.831	6.900	6.969	6.762	7.038		

R1511xxxxB-KE

(-40°C ≤ Ta ≤ 125°C)

Product Name	V _{OUT} [V]					V _{DIF} [V]	
	(Ta = 25°C)			(Ta = -40°C to 125°C)		TYP.	MAX.
	MIN.	TYP.	MAX.	MIN.	MAX.		
R1511x070x	6.930	7.000	7.070	6.860	7.140	0.54	0.80
R1511x071x	7.029	7.100	7.171	6.958	7.242		
R1511x072x	7.128	7.200	7.272	7.056	7.344		
R1511x073x	7.227	7.300	7.373	7.154	7.446		
R1511x074x	7.326	7.400	7.474	7.252	7.548		
R1511x075x	7.425	7.500	7.575	7.350	7.650		
R1511x076x	7.524	7.600	7.676	7.448	7.752		
R1511x077x	7.623	7.700	7.777	7.546	7.854		
R1511x078x	7.722	7.800	7.878	7.644	7.956		
R1511x079x	7.821	7.900	7.979	7.742	8.058		
R1511x080x	7.920	8.000	8.080	7.840	8.160		
R1511x081x	8.019	8.100	8.181	7.938	8.262		
R1511x082x	8.118	8.200	8.282	8.036	8.364		
R1511x083x	8.217	8.300	8.383	8.134	8.466		
R1511x084x	8.316	8.400	8.484	8.232	8.568		
R1511x085x	8.415	8.500	8.585	8.330	8.670		
R1511x086x	8.514	8.600	8.686	8.428	8.772		
R1511x087x	8.613	8.700	8.787	8.526	8.874		
R1511x088x	8.712	8.800	8.888	8.624	8.976		
R1511x089x	8.811	8.900	8.989	8.722	9.078		
R1511x090x	8.910	9.000	9.090	8.820	9.180		

R1511x

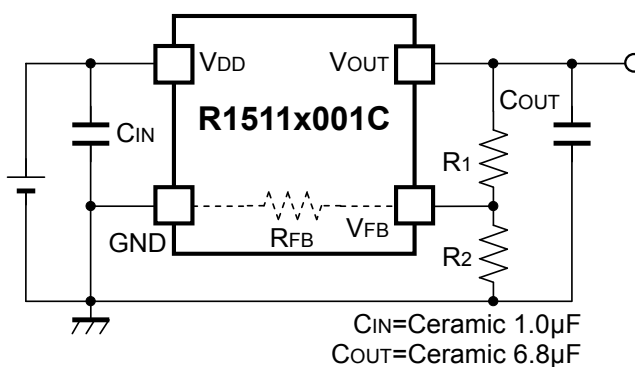
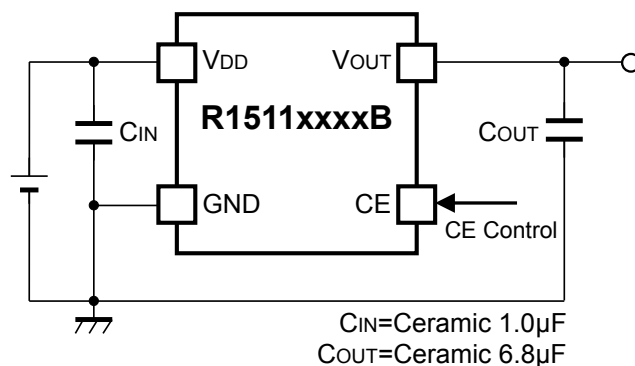
NO. EC-300-160929

 $V_{OUT}=V_{FB}$, $C_{IN}=1.0\mu F$, $C_{OUT}=6.8\mu F$, unless otherwise noted.**R1511x001C-KE**

(-40°C ≤ Ta ≤ 125°C)

Symbol	Item	Conditions	Min.	Typ.	Max.	Unit
I _{SS}	Supply Current	V _{IN} =4.0V, I _{OUT} =0mA		100	180	μA
V _{OUT}	Output Voltage	V _{IN} =5.0V I _{OUT} =1mA	T _a =25°C	2.97	3.03	V
			-40°C ≤ T _a ≤ 125°C	2.94	3.06	
$\frac{\Delta V_{OUT}}{\Delta I_{OUT}}$	Load Regulation	V _{IN} =5.0V 1mA ≤ I _{OUT} ≤ 300mA	-20		40	mV
$\frac{\Delta V_{OUT}}{\Delta V_{IN}}$	Line Regulation	V _{SET} +0.5V ≤ V _{IN} ≤ 36V I _{OUT} =1mA	-0.02	0.01	0.02	%/V
V _{DIF}	Dropout Voltage	I _{OUT} =300mA		0.98	1.5	V
I _{LIM}	Output Current Limit	V _{IN} = V _{SET} +2.5V	300	450	610	mA
I _{SC}	Short Current Limit	V _{IN} =5V, V _{OUT} =0V	35	50	65	mA
R _{FB}	V _{FB} Pin Resistanse		1.0	3.0		MΩ
T _{TSD}	Thermal Shutdown Temperature	Junction Temperature	150	160		°C
T _{TSR}	Thermal Shutdown Released Temperature	Junction Temperature	125	135		°C

TYPICAL APPLICATIONS



TECHNICAL NOTES

PCB Layout and GND Wiring

Ensure the V_{DD} and GND lines are sufficiently robust. If their impedance is too high, noise pickup or unstable operation may result. Connect a C_{IN} capacitor with 1.0μF or more value between the V_{DD} and GND pins, and as close as possible to the pins. Likewise, connect a C_{OUT} capacitor with suitable values between the V_{OUT} and GND pins, and as close as possible to the pins (refer to the Typical Application above).

In the case of using HSOP-6J package, make sure to wire No. 2, No. 3, and No. 5 pins to the GND plane. Also, in the case of using TO-252-5-P2 package, make sure to wire No. 2 and No. 3 pins to the GND plane.

Phase Compensation

In the R1511x, phase compensation is provided to secure stable operation even when the load current is varied. For this purpose, make sure to use a C_{OUT} capacitor.

In case of using a tantalum type capacitor and the ESR (Equivalent Series Resistance) value of the capacitor is large, the output might be unstable. Evaluate the circuit including consideration of frequency characteristics.

Depending on the capacitor size, manufacturer, and part number, the bias characteristics and temperature characteristics are different. Evaluate the circuit taking actual characteristics into account.

Thermal Shutdown

R1511x contains a thermal shutdown circuit, which stops regulator operation if the junction temperature of R1511x becomes higher than 160°C (Typ.). Additionally, if the junction temperature after the regulator being stopped decreases to a level below 135°C (Typ.), it restarts regulator operation. As a result the operation of the thermal shutdown circuit causes the regulator repeatedly to turn off and on until the causes of overheating are removed. As a consequence a pulse shaped output voltage occurs.

Adjustable Output Voltage Setting (R1511x001C)

The output voltage of R1511x001C can be adjusted by using the external divider resistors (R1, R2). By using the following equation, the output voltage (V_{OUT}) can be determined. The voltage which is fixed inside the IC is described as V_{FB} .

$$V_{OUT} = V_{FB} \times ((R1 + R2) / R2)$$

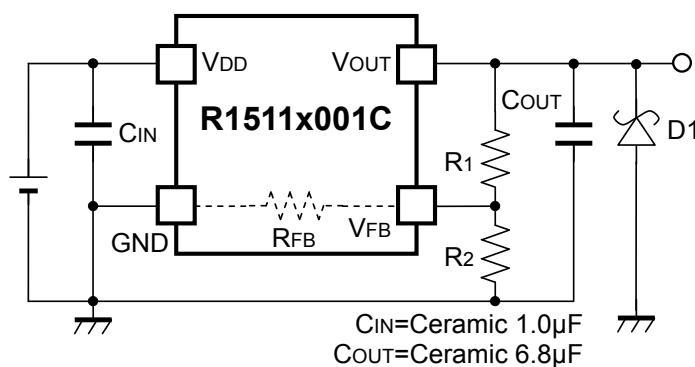
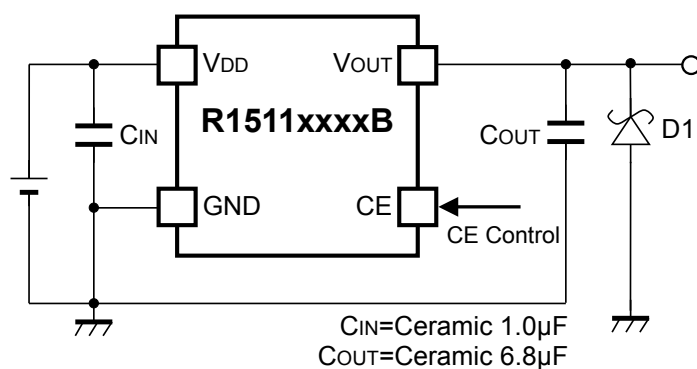
$$\text{Recommended Range: } 3.0 \text{ V} \leq V_{OUT} \leq 12.0 \text{ V}$$

$$V_{FB} = 3.0 \text{ V}$$

R_{FB} of the R1511x001C is approximately Min. 1.0 M Ω (guaranteed by design). For better accuracy, setting $R1 \ll R_{FB}$ reduces errors. The resistance value for R2 should be set to 39 k Ω or lower. It is easily affected by noises when setting the value of R1 and R2 larger, which makes the impedance of V_{FB} pin larger.

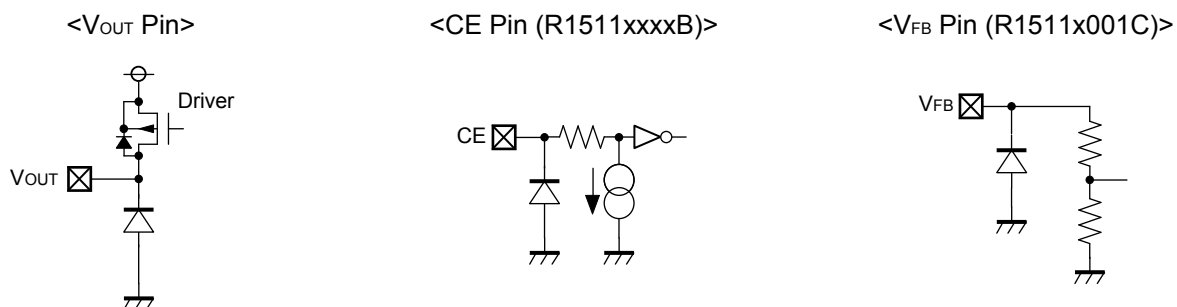
R_{IC} could be affected by the temperature, therefore evaluate the circuit taking the actual conditions of use into account when deciding the resistance values for R1 and R2.

TYPICAL APPLICATION FOR IC CHIP BREAKDOWN PREVENTION



When a sudden surge of electrical current travels along the V_{OUT} pin and GND due to a short-circuit, electrical resonance of a circuit involving an output capacitor (C_{OUT}) and a short circuit inductor generates a negative voltage and may damage the device or the load devices. Connecting a schottky diode (D1) between the V_{OUT} pin and GND has the effect of preventing damage to them.

PIN EQUIVALENT CIRCUIT DIAGRAMS



R1511x

NO. EC-300-160929

PACKAGE INFORMATION

POWER DISSIPATION (HSOP-6J)

The power dissipation of the package is dependent on PCB material, layout, and environmental conditions. The following conditions are used in this measurement.

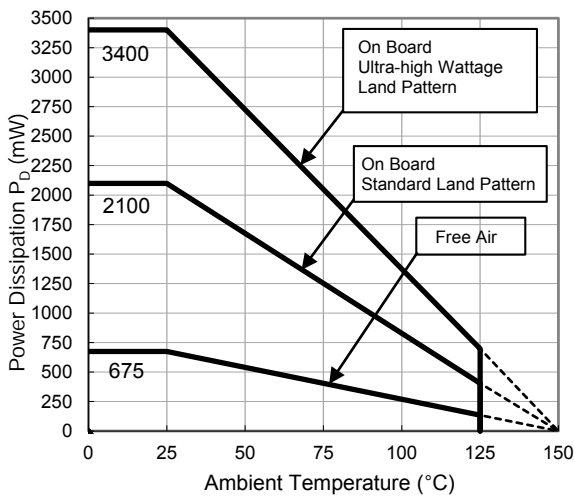
Measurement Conditions

	Ultra-high Wattage Land Pattern	Standard Land Pattern
Environment	Mounting on Board (Wind Velocity = 0 m/s)	Mounting on Board (Wind Velocity = 0 m/s)
Board Material	Glass Cloth Epoxy Plastic (Four-layer Board)	Glass Cloth Epoxy Plastic (Double-sided Board)
Board Dimensions	76.2 mm × 114.3 mm × 0.8 mm	50 mm × 50 mm × 1.6 mm
Copper Ratio	96%	50%
Through-holes	φ 0.3 mm × 28 pcs	φ 0.5 mm × 24 pcs

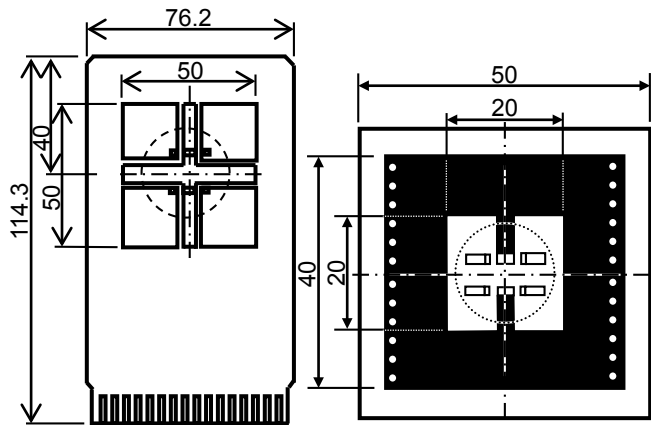
Measurement Result

(Ta = 25°C, Tjmax = 150°C)

	Ultra-high Wattage Land Pattern	Standard Land Pattern	Free Air
Power Dissipation	3400 mW	2100 mW	675 mW
Thermal Resistance	37°C/W	59°C/W	185°C/W



Power Dissipation vs. Ambient Temperature



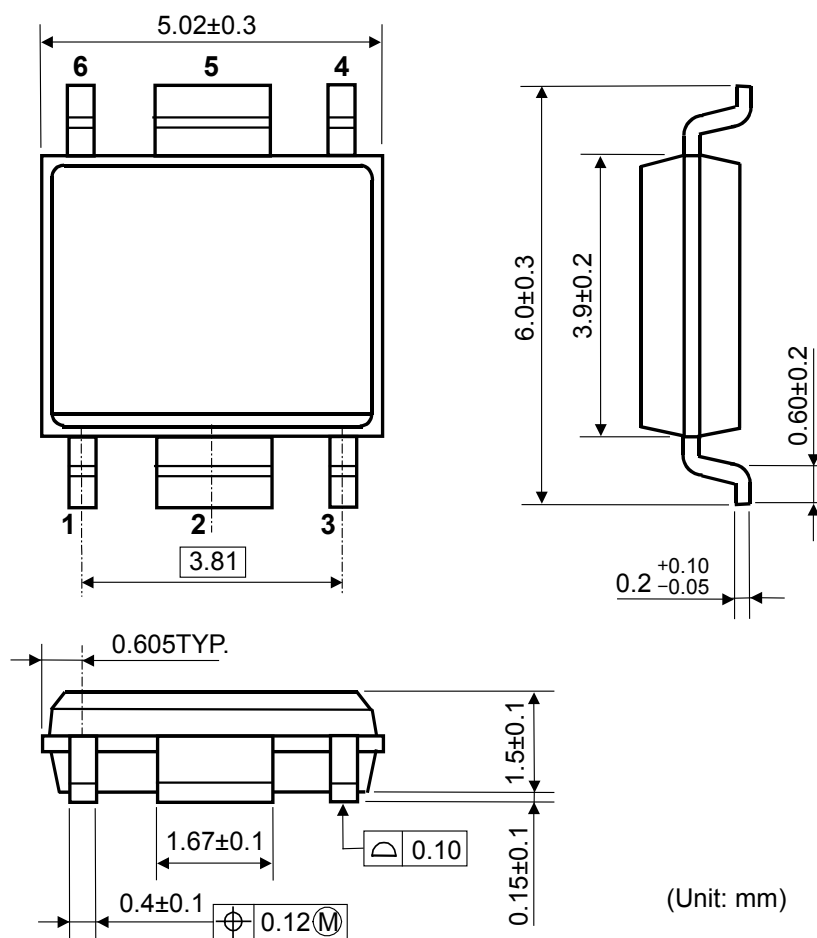
Ultra-high Wattage

Standard

○ IC Mount Area (mm)

Measurement Board Pattern

PACKAGE DIMENSIONS (HSOP-6J)



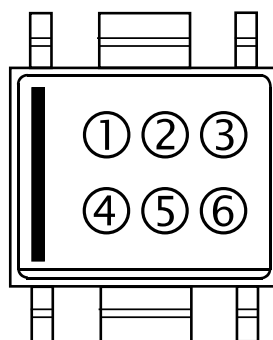
(Unit: mm)

Package Dimensions (HSOP-6J)

MARK SPECIFICATION (HSOP-6J)

①②③④: Product Code ... **Refer to MARK SPECIFICATION TABLE**

⑤⑥: Lot Number ... Alphanumeric Serial Number



Mark Specification (HSOP-6J)

R1511x

NO. EC-300-160929

MARK SPECIFICATION TABLE (HSOP-6J)**R1511SxxxB**

Product Name	① ② ③ ④	V _{SET}
R1511S030B	S 3 0 B	3.0 V
R1511S031B	S 3 1 B	3.1 V
R1511S032B	S 3 2 B	3.2 V
R1511S033B	S 3 3 B	3.3 V
R1511S034B	S 3 4 B	3.4 V
R1511S035B	S 3 5 B	3.5 V
R1511S036B	S 3 6 B	3.6 V
R1511S037B	S 3 7 B	3.7 V
R1511S038B	S 3 8 B	3.8 V
R1511S039B	S 3 9 B	3.9 V
R1511S040B	S 4 0 B	4.0 V
R1511S041B	S 4 1 B	4.1 V
R1511S042B	S 4 2 B	4.2 V
R1511S043B	S 4 3 B	4.3 V
R1511S044B	S 4 4 B	4.4 V
R1511S045B	S 4 5 B	4.5 V
R1511S046B	S 4 6 B	4.6 V
R1511S047B	S 4 7 B	4.7 V
R1511S048B	S 4 8 B	4.8 V
R1511S049B	S 4 9 B	4.9 V
R1511S050B	S 5 0 B	5.0 V
R1511S051B	S 5 1 B	5.1 V
R1511S052B	S 5 2 B	5.2 V
R1511S053B	S 5 3 B	5.3 V
R1511S054B	S 5 4 B	5.4 V
R1511S055B	S 5 5 B	5.5 V
R1511S056B	S 5 6 B	5.6 V
R1511S057B	S 5 7 B	5.7 V
R1511S058B	S 5 8 B	5.8 V
R1511S059B	S 5 9 B	5.9 V
R1511S060B	S 6 0 B	6.0 V
R1511S061B	S 6 1 B	6.1 V
R1511S062B	S 6 2 B	6.2 V
R1511S063B	S 6 3 B	6.3 V
R1511S064B	S 6 4 B	6.4 V
R1511S065B	S 6 5 B	6.5 V
R1511S066B	S 6 6 B	6.6 V
R1511S067B	S 6 7 B	6.7 V
R1511S068B	S 6 8 B	6.8 V
R1511S069B	S 6 9 B	6.9 V

Product Name	① ② ③ ④	V _{SET}
R1511S070B	S 7 0 B	7.0 V
R1511S071B	S 7 1 B	7.1 V
R1511S072B	S 7 2 B	7.2 V
R1511S073B	S 7 3 B	7.3 V
R1511S074B	S 7 4 B	7.4 V
R1511S075B	S 7 5 B	7.5 V
R1511S076B	S 7 6 B	7.6 V
R1511S077B	S 7 7 B	7.7 V
R1511S078B	S 7 8 B	7.8 V
R1511S079B	S 7 9 B	7.9 V
R1511S080B	S 8 0 B	8.0 V
R1511S081B	S 8 1 B	8.1 V
R1511S082B	S 8 2 B	8.2 V
R1511S083B	S 8 3 B	8.3 V
R1511S084B	S 8 4 B	8.4 V
R1511S085B	S 8 5 B	8.5 V
R1511S086B	S 8 6 B	8.6 V
R1511S087B	S 8 7 B	8.7 V
R1511S088B	S 8 8 B	8.8 V
R1511S089B	S 8 9 B	8.9 V
R1511S090B	S 9 0 B	9.0 V

R1511S001C

(Adjustable Output Voltage Setting Type)

Product Name	① ② ③ ④	V _{SET}
R1511S001C	S 0 0 C	—

POWER DISSIPATION (TO-252-5-P2)

Power Dissipation (P_D) depends on conditions of mounting on board. This specification is based on the measurement at the condition below:

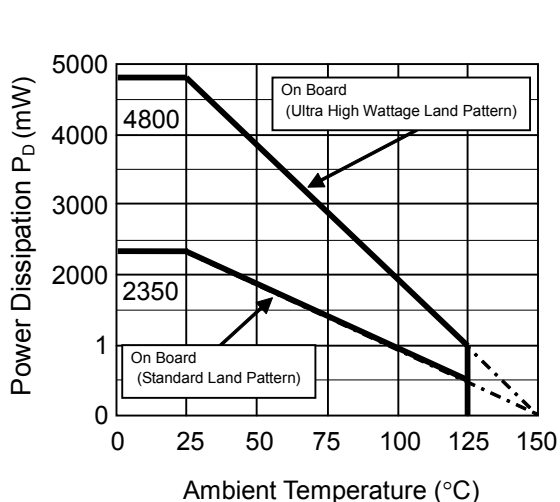
Measurement Conditions

	Ultra High Wattage Land Pattern	Standard Land Pattern
Environment	Mounting on board (Wind velocity 0 m/s)	
Board Material	Glass cloth epoxy plastic (Four-layers)	Glass cloth epoxy plastic (Double layers)
Board Dimensions	76.2 mm x 114.3 mm x 0.8 mm	50 mm x 50 mm x 1.6 mm
Copper Ratio	Top, Back side: Approx. 96%, 2nd, 3rd: 100%	Top side: Approx. 50%, Back side: Approx. 50%
Through - hole	ϕ 0.4 mm x 30 pcs	ϕ 0.5 mm x 24 pcs

Measurement Result

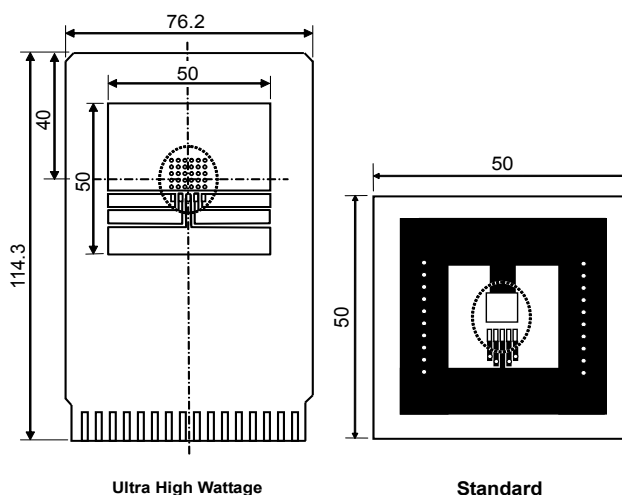
($T_a = 25^\circ\text{C}$, $T_{jmax} = 150^\circ\text{C}$)

	Ultra High Wattage Land Pattern	Standard Land Pattern
Power Dissipation	4800 mW	2350 mW
Thermal Resistance	$\theta_{ja} = (150-25^\circ\text{C})/4.8 \text{ W} = 26^\circ\text{C/W}$	$\theta_{ja} = (150-25^\circ\text{C})/2.35 \text{ W} = 53^\circ\text{C/W}$
	$\theta_{jc} = 7^\circ\text{C/W}$	$\theta_{jc} = 17^\circ\text{C/W}$



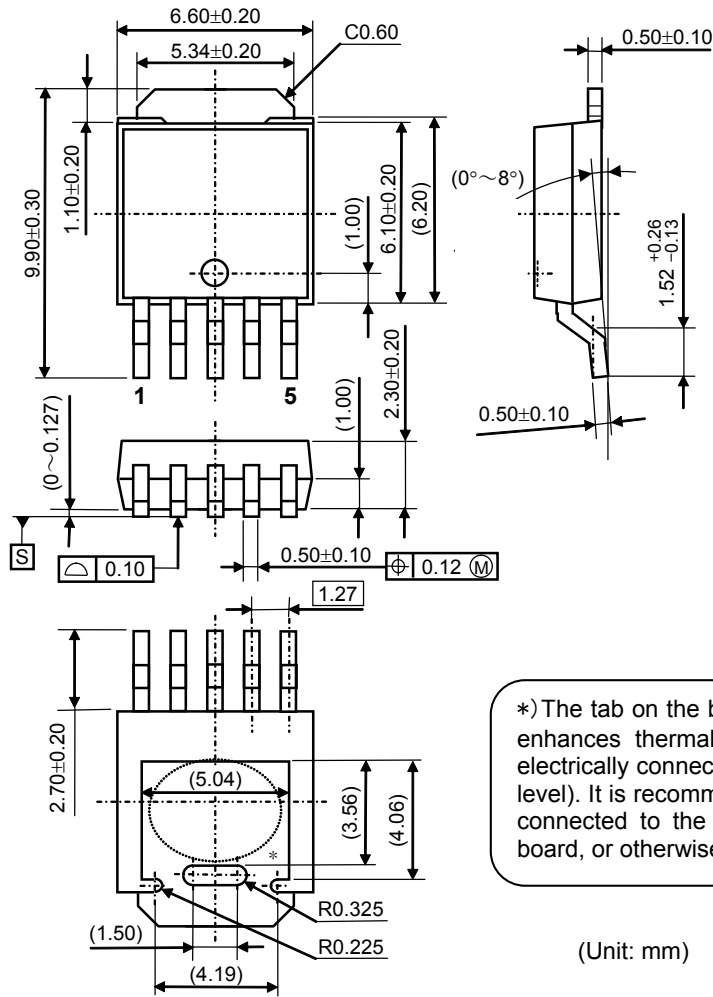
Power Dissipation

Power Dissipation vs. Ambience Temperature (TO-252-5-P2)



Measurement Board Pattern (TO-252-5-P2)

PACKAGE DIMENSIONS (TO-252-5-P2)

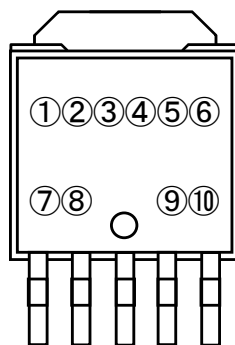


Package Dimensions (TO-252-5-P2)

MARK SPECIFICATION (TO-252-5-P2)

① ② ③ ④ ⑤ ⑥ ⑦ ⑧: Product Code ... **Refer to MARK SPECIFICATION TABLE**

⑨ ⑩: Lot Number ... Alphanumeric Serial Number



Mark Specification (TO-252-5-P2)

MARK SPECIFICATION TABLE (TO-252-5-P2)

R1511JxxxB

Product Name	①②③④⑤⑥⑦⑧	V _{SET}
R1511J030B	H 1 J 0 3 0 B	3.0 V
R1511J031B	H 1 J 0 3 1 B	3.1 V
R1511J032B	H 1 J 0 3 2 B	3.2 V
R1511J033B	H 1 J 0 3 3 B	3.3 V
R1511J034B	H 1 J 0 3 4 B	3.4 V
R1511J035B	H 1 J 0 3 5 B	3.5 V
R1511J036B	H 1 J 0 3 6 B	3.6 V
R1511J037B	H 1 J 0 3 7 B	3.7 V
R1511J038B	H 1 J 0 3 8 B	3.8 V
R1511J039B	H 1 J 0 3 9 B	3.9 V
R1511J040B	H 1 J 0 4 0 B	4.0 V
R1511J041B	H 1 J 0 4 1 B	4.1 V
R1511J042B	H 1 J 0 4 2 B	4.2 V
R1511J043B	H 1 J 0 4 3 B	4.3 V
R1511J044B	H 1 J 0 4 4 B	4.4 V
R1511J045B	H 1 J 0 4 5 B	4.5 V
R1511J046B	H 1 J 0 4 6 B	4.6 V
R1511J047B	H 1 J 0 4 7 B	4.7 V
R1511J048B	H 1 J 0 4 8 B	4.8 V
R1511J049B	H 1 J 0 4 9 B	4.9 V
R1511J050B	H 1 J 0 5 0 B	5.0 V
R1511J051B	H 1 J 0 5 1 B	5.1 V
R1511J052B	H 1 J 0 5 2 B	5.2 V
R1511J053B	H 1 J 0 5 3 B	5.3 V
R1511J054B	H 1 J 0 5 4 B	5.4 V
R1511J055B	H 1 J 0 5 5 B	5.5 V
R1511J056B	H 1 J 0 5 6 B	5.6 V
R1511J057B	H 1 J 0 5 7 B	5.7 V
R1511J058B	H 1 J 0 5 8 B	5.8 V
R1511J059B	H 1 J 0 5 9 B	5.9 V
R1511J060B	H 1 J 0 6 0 B	6.0 V
R1511J061B	H 1 J 0 6 1 B	6.1 V
R1511J062B	H 1 J 0 6 2 B	6.2 V
R1511J063B	H 1 J 0 6 3 B	6.3 V
R1511J064B	H 1 J 0 6 4 B	6.4 V
R1511J065B	H 1 J 0 6 5 B	6.5 V
R1511J066B	H 1 J 0 6 6 B	6.6 V
R1511J067B	H 1 J 0 6 7 B	6.7 V
R1511J068B	H 1 J 0 6 8 B	6.8 V
R1511J069B	H 1 J 0 6 9 B	6.9 V

Product Name	①②③④⑤⑥⑦⑧	V _{SET}
R1511J070B	H 1 J 0 7 0 B	7.0 V
R1511J071B	H 1 J 0 7 1 B	7.1 V
R1511J072B	H 1 J 0 7 2 B	7.2 V
R1511J073B	H 1 J 0 7 3 B	7.3 V
R1511J074B	H 1 J 0 7 4 B	7.4 V
R1511J075B	H 1 J 0 7 5 B	7.5 V
R1511J076B	H 1 J 0 7 6 B	7.6 V
R1511J077B	H 1 J 0 7 7 B	7.7 V
R1511J078B	H 1 J 0 7 8 B	7.8 V
R1511J079B	H 1 J 0 7 9 B	7.9 V
R1511J080B	H 1 J 0 8 0 B	8.0 V
R1511J081B	H 1 J 0 8 1 B	8.1 V
R1511J082B	H 1 J 0 8 2 B	8.2 V
R1511J083B	H 1 J 0 8 3 B	8.3 V
R1511J084B	H 1 J 0 8 4 B	8.4 V
R1511J085B	H 1 J 0 8 5 B	8.5 V
R1511J086B	H 1 J 0 8 6 B	8.6 V
R1511J087B	H 1 J 0 8 7 B	8.7 V
R1511J088B	H 1 J 0 8 8 B	8.8 V
R1511J089B	H 1 J 0 8 9 B	8.9 V
R1511J090B	H 1 J 0 9 0 B	9.0 V

R1511J001C

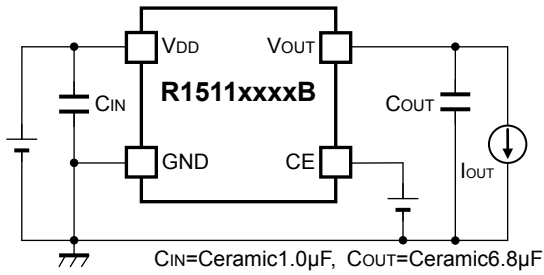
(Adjustable Output Voltage Setting Type)

Product Name	①②③④⑤⑥⑦⑧	V _{SET}
R1511J001C	H 1 J 0 0 1 C	—

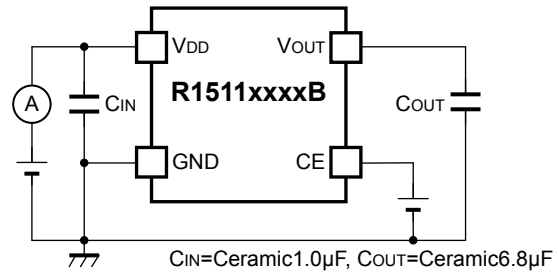
R1511x

NO. EC-300-160929

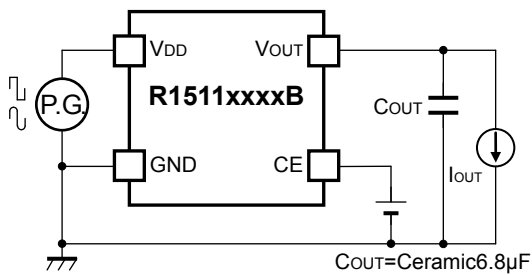
TEST CIRCUITS



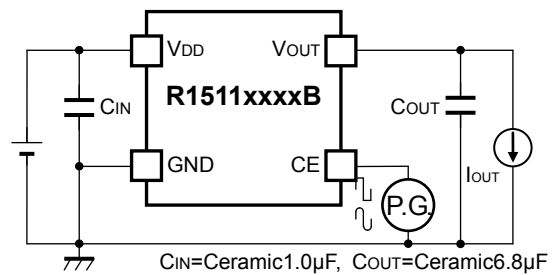
R1511xxxxB Basic Test Circuit



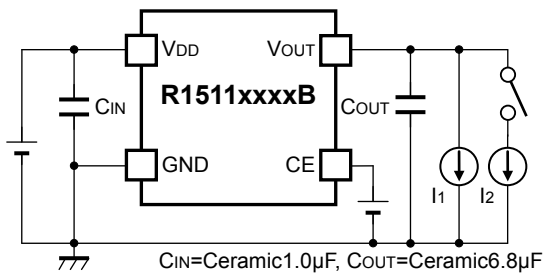
R1511xxxxB Test Circuit for Supply Current



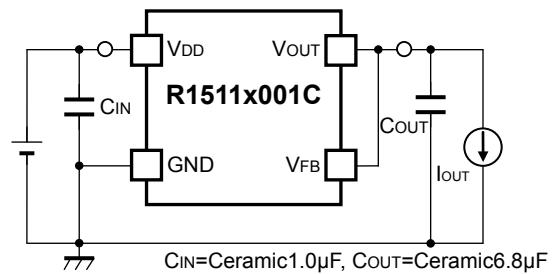
R1511xxxxB Test Circuit for Ripple Rejection and Regulator Input Transient Response



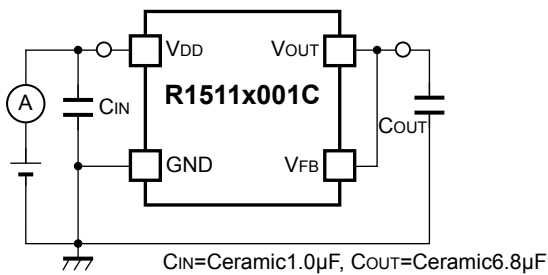
R1511xxxxB Test Circuit for CE Start-up



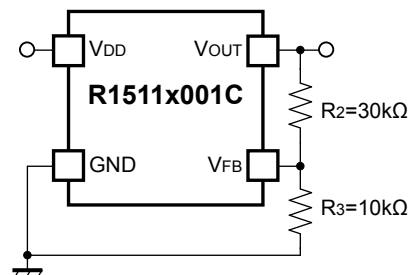
R1511xxxxB Test Circuit for Load Transient Response



R1511x001C Basic Test Circuit



R1511x001C Test Circuit for Supply Current



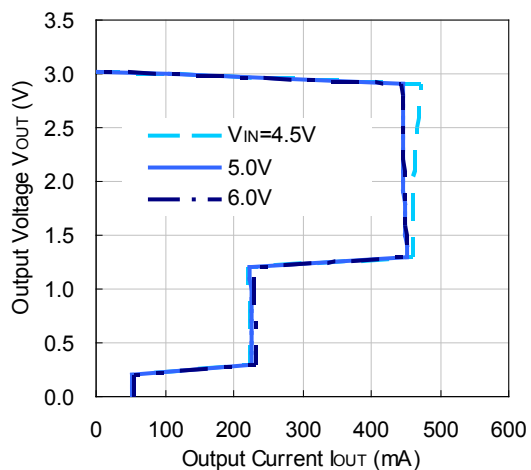
R1511x001C Case of output voltage adjustment by external resistors

TYPICAL CHARACTERISTICS

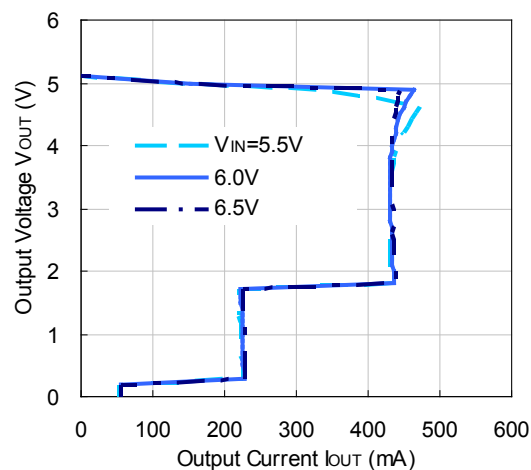
Note: Typical Characteristics are intended to be used as reference data; they are not guaranteed.

1) Output Voltage vs. Output Current ($T_a = 25^\circ\text{C}$)

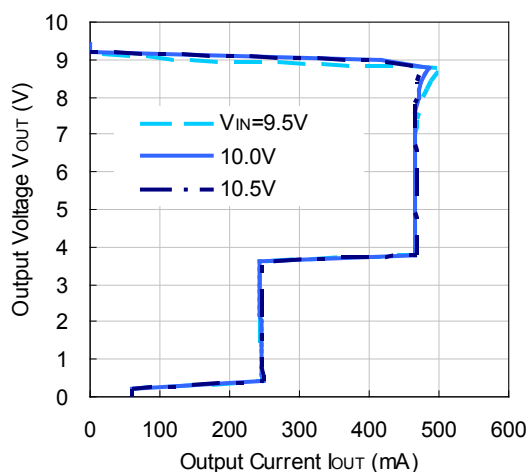
R1511x030B



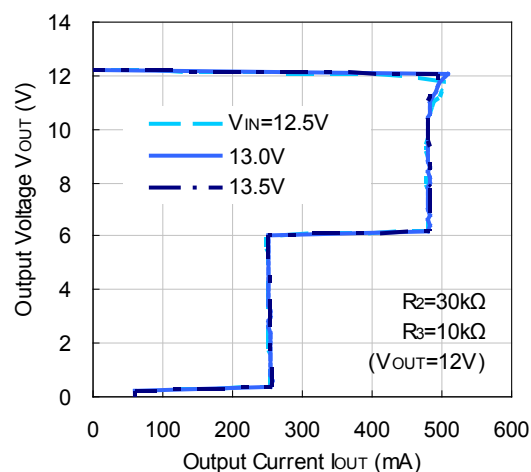
R1511x050B



R1511x090B



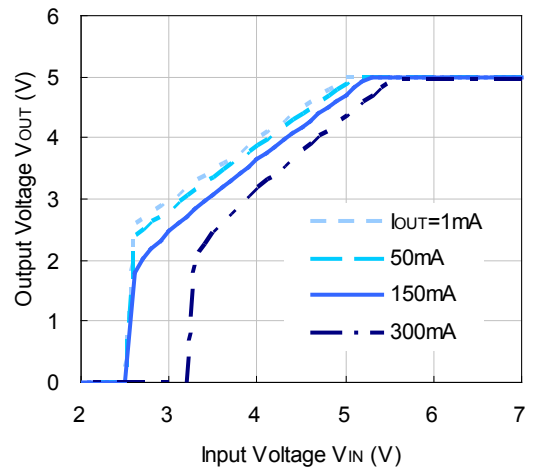
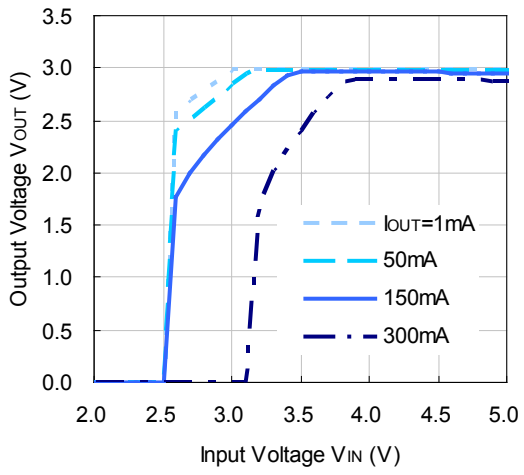
R1511x001C



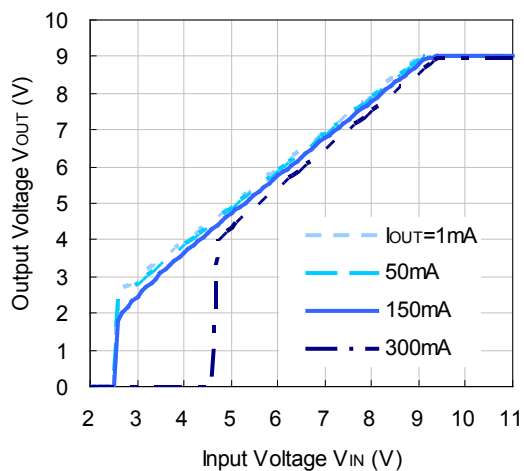
2) Output Voltage vs. Input Voltage ($T_a = 25^\circ\text{C}$)

R1511x030B

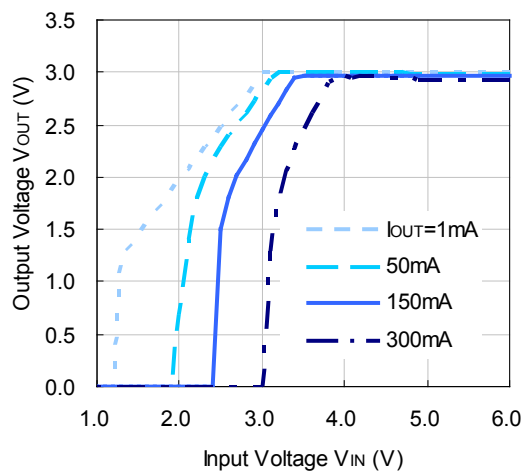
R1511x050B



R1511x090B

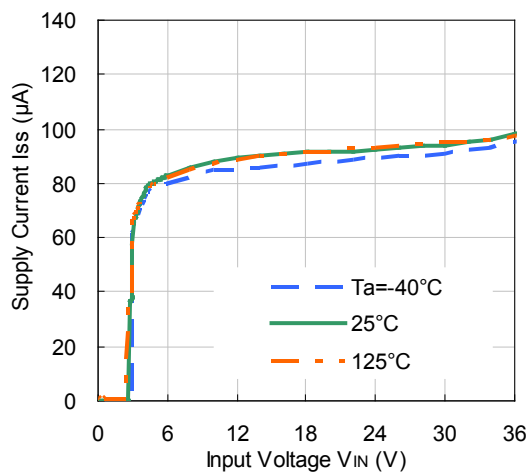


R1511x001C

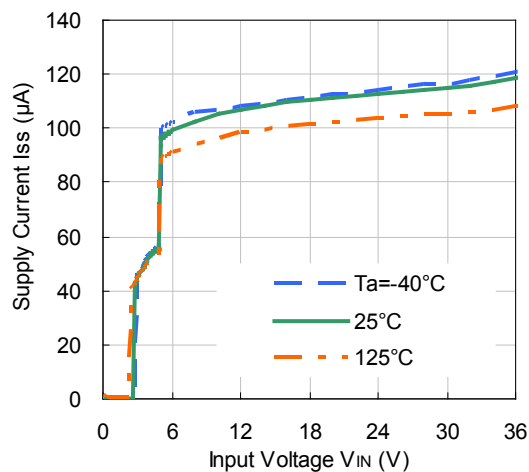


3) Supply Current vs. Input Voltage

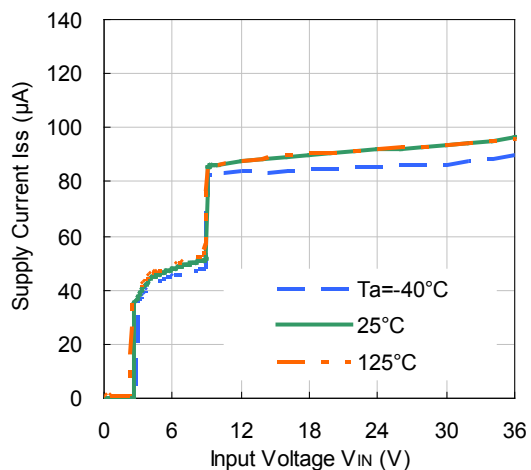
R1511x030B



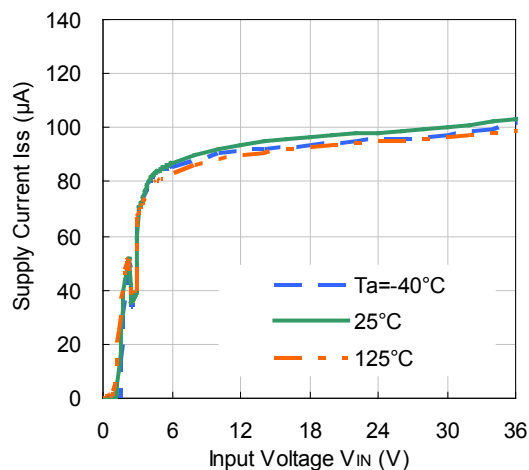
R1511x050B



R1511x090B



R1511x001C

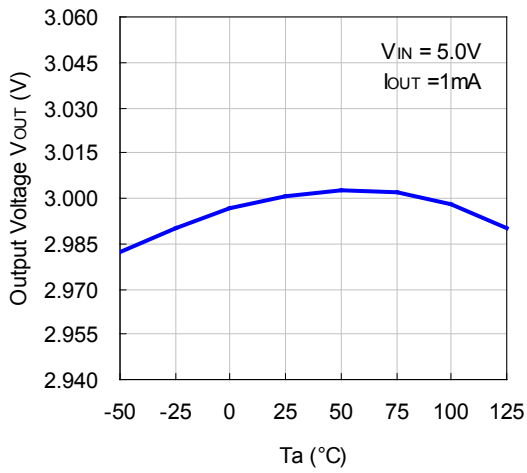


R1511x

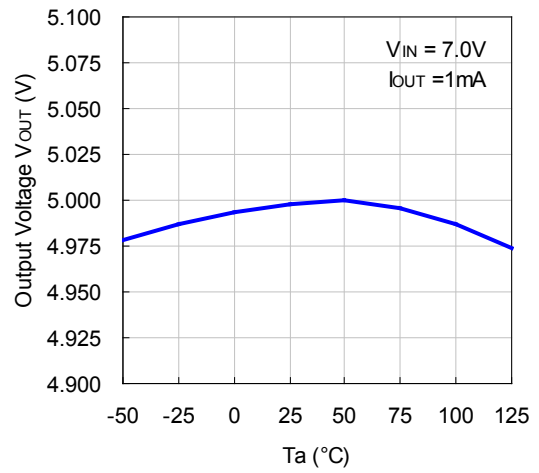
NO. EC-300-160929

4) Output Voltage vs. Ambient Temperature

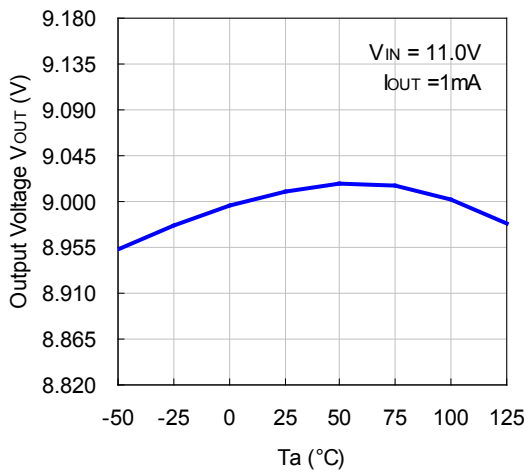
R1511x030B



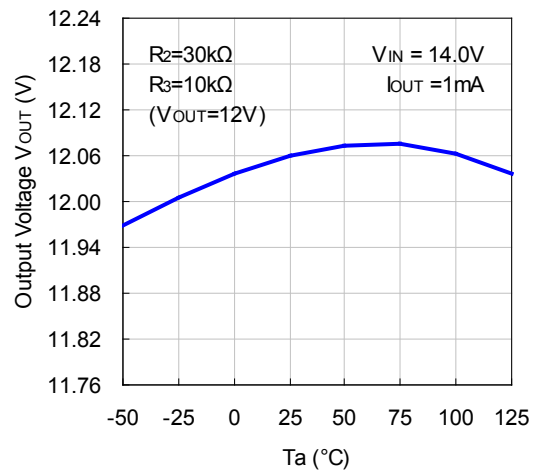
R1511x050B



R1511x090B

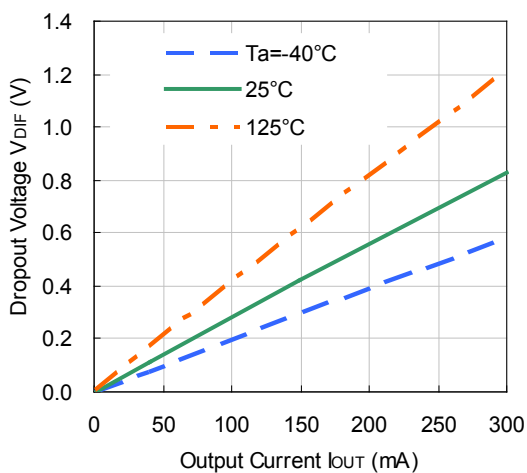


R1511x001C

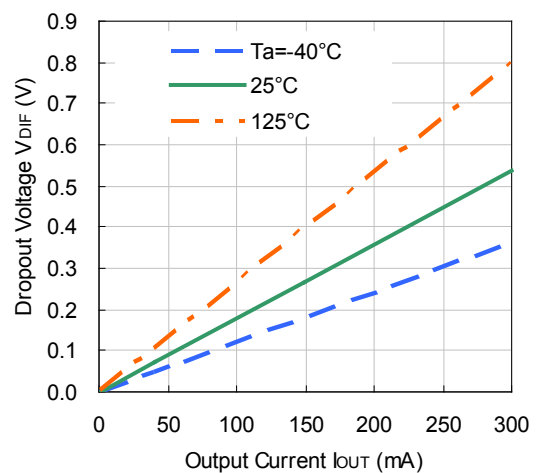


5) Dropout Voltage vs. Output Current

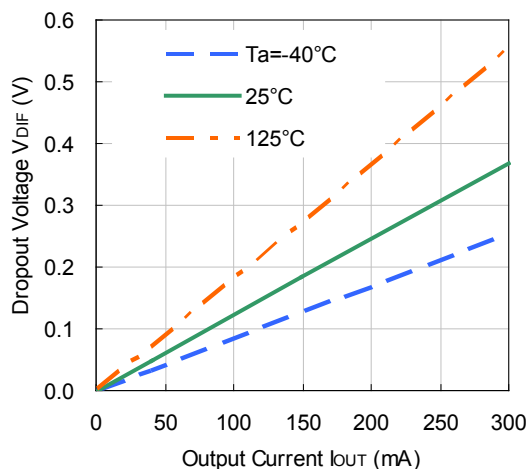
R1511x030B/R1511x001C



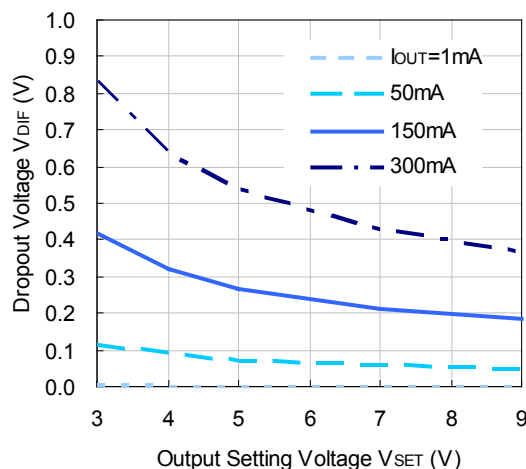
R1511x050B



R1511x090B

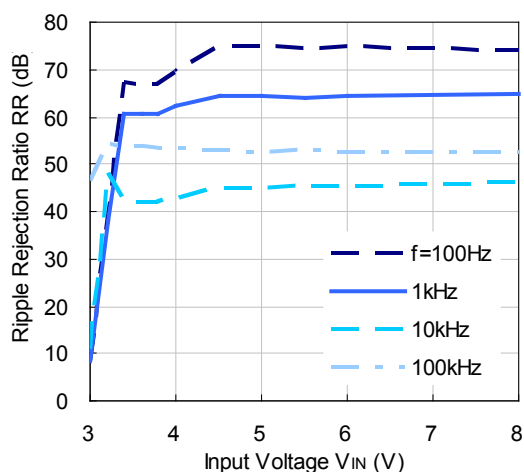


6) Dropout Voltage vs. Setting Voltage ($T_a = 25^\circ\text{C}$)

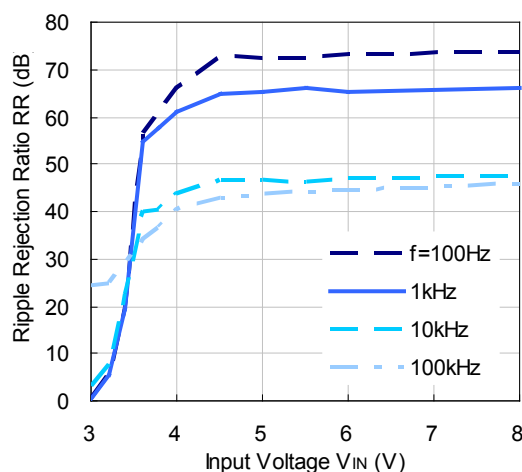


7) Ripple Rejection vs. Input Bias Voltage ($T_a = 25^\circ\text{C}$, Ripple = 0.5 Vpp)

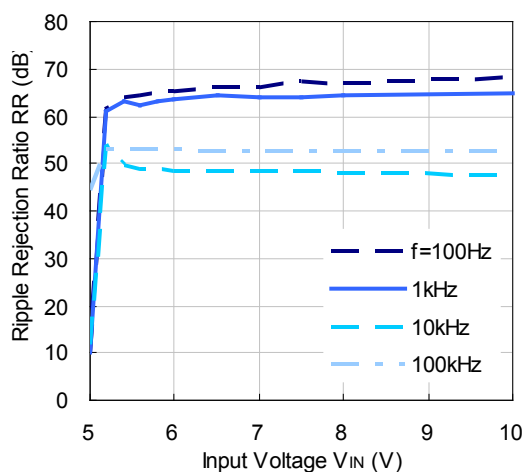
R1511x030B/R1511x001C ($I_{OUT} = 1\text{mA}$)



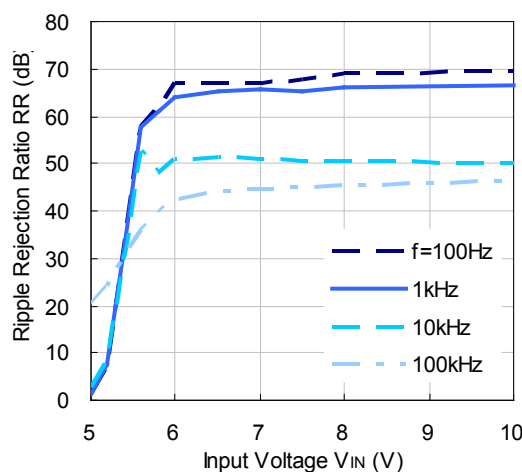
R1511x030B/R1511x001C ($I_{OUT} = 100\text{mA}$)

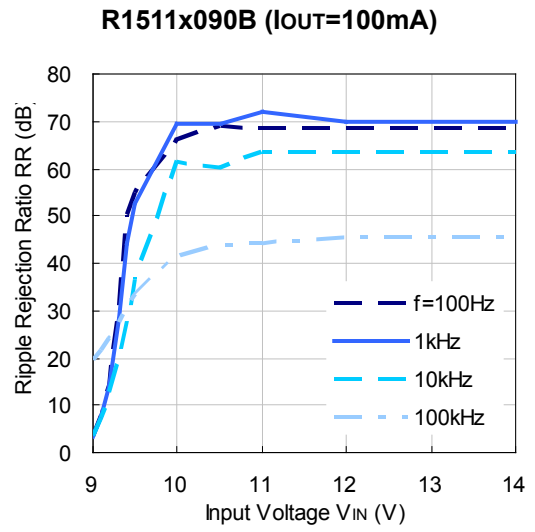
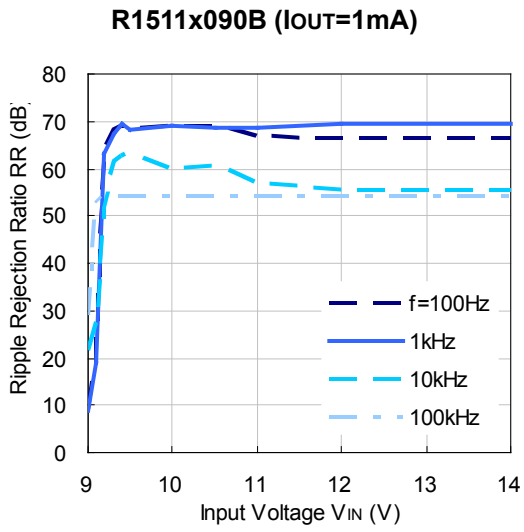


R1511x050B ($I_{OUT} = 1\text{mA}$)

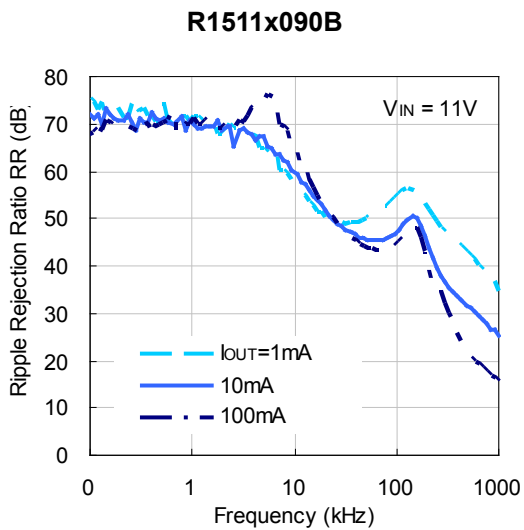
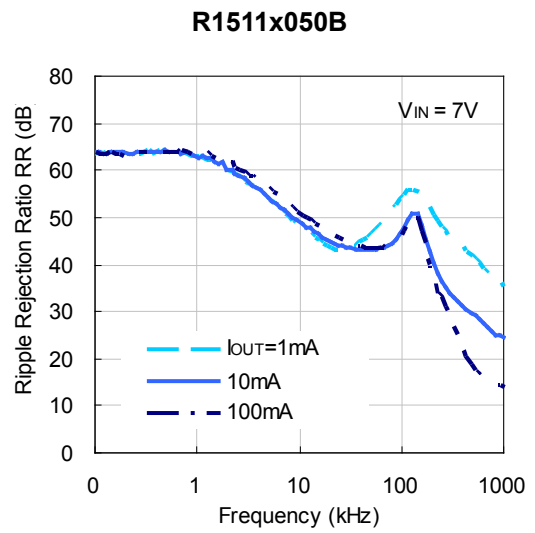
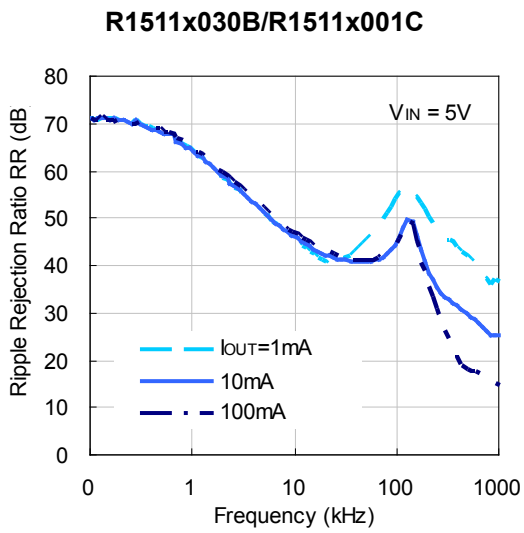


R1511x050B ($I_{OUT} = 100\text{mA}$)



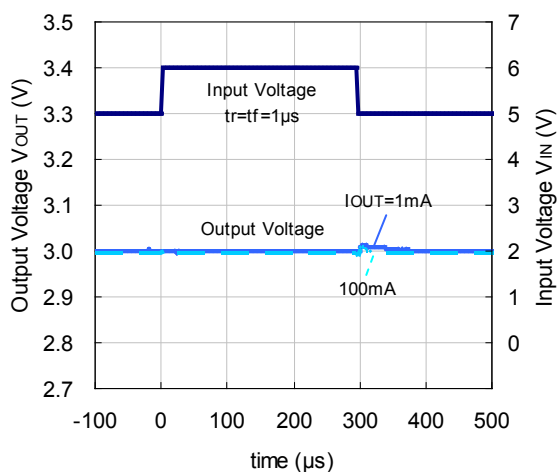


8) Ripple Rejection vs. Frequency (Ta = 25°C, Ripple = 0.5 Vpp)

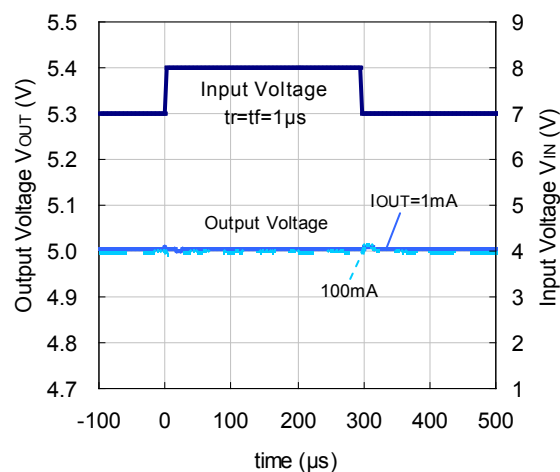


9) Input Transient Response (Ta = 25°C)

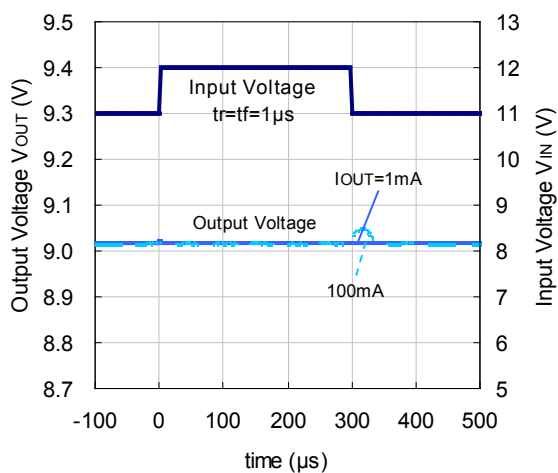
R1511x030B



R1511x050B

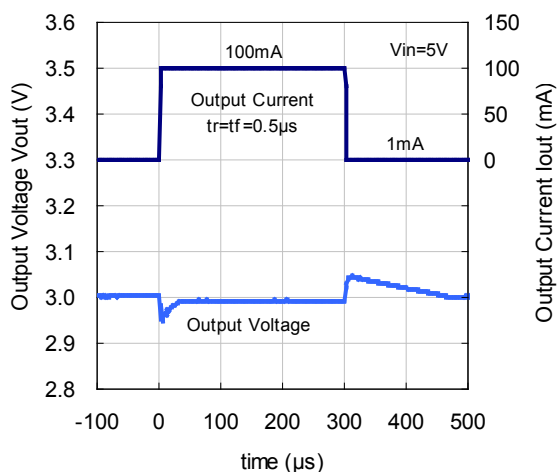


R1511x090B

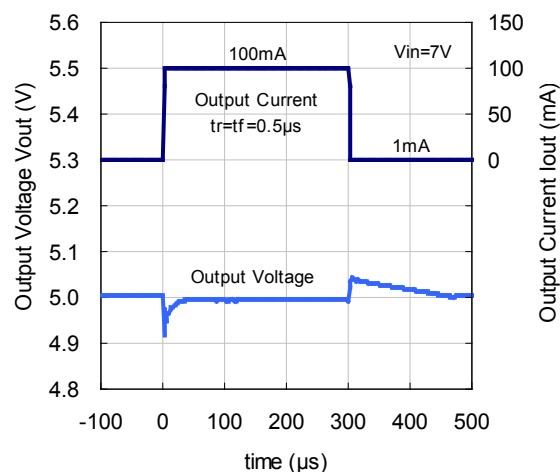


10) Load Transient Response (Ta = 25°C)

R1511x030B



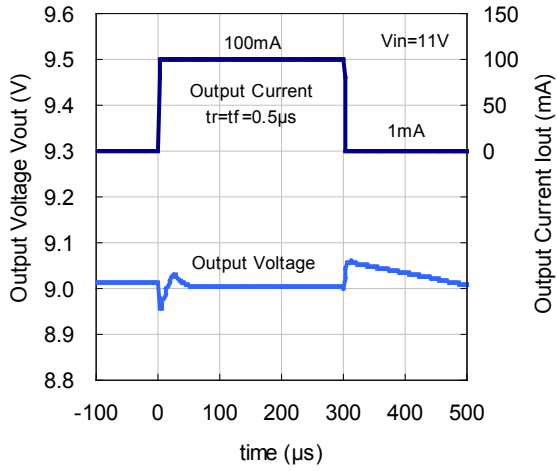
R1511x050B



R1511x

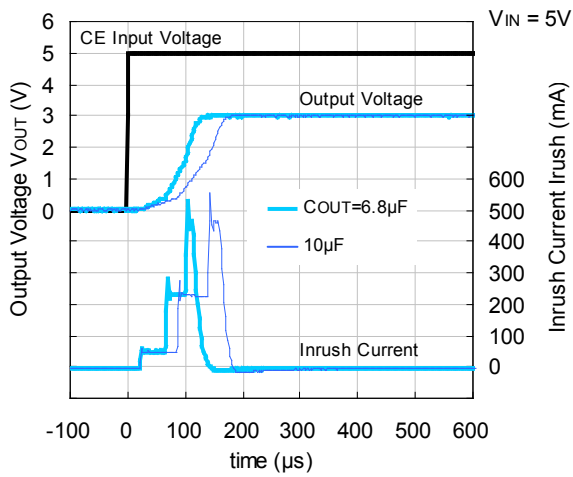
NO. EC-300-160929

R1511x090B

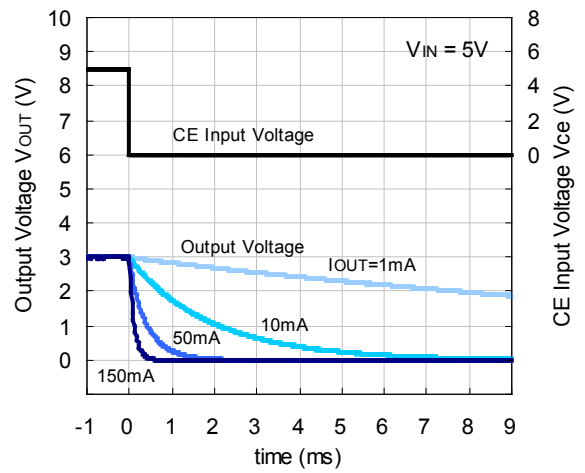


11) CE Response ($T_a = 25^\circ\text{C}$)

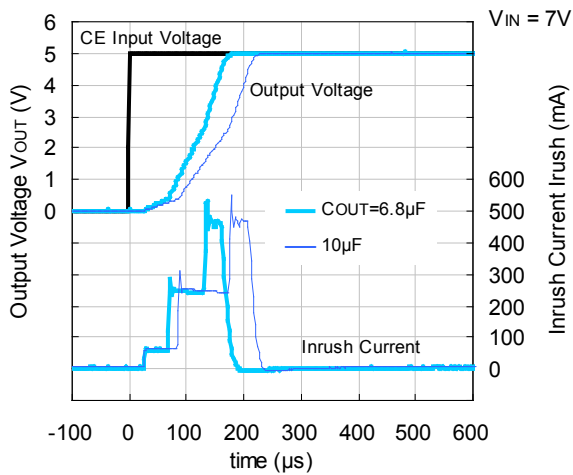
R1511x030B (Turn On)



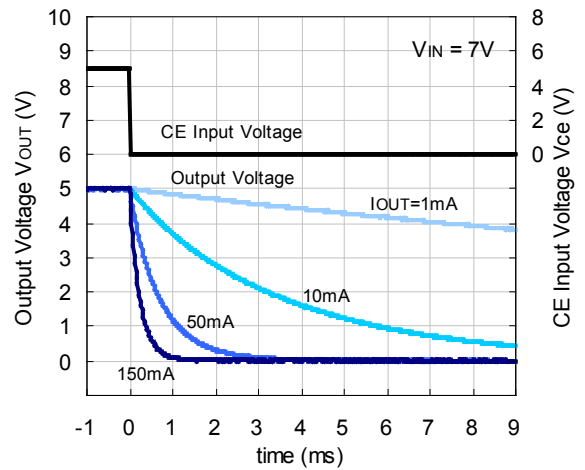
R1511x030B (Turn Off)

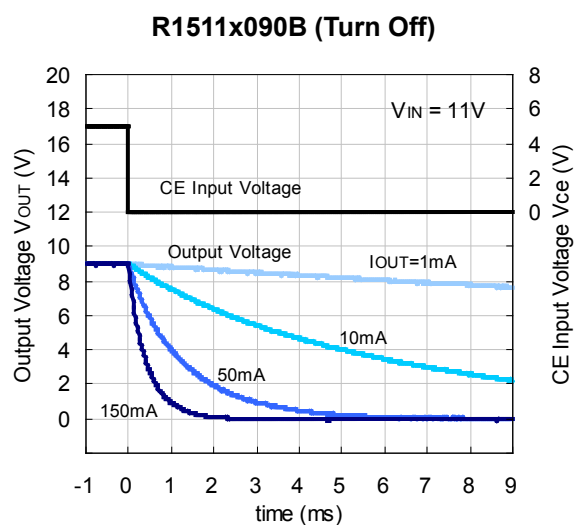
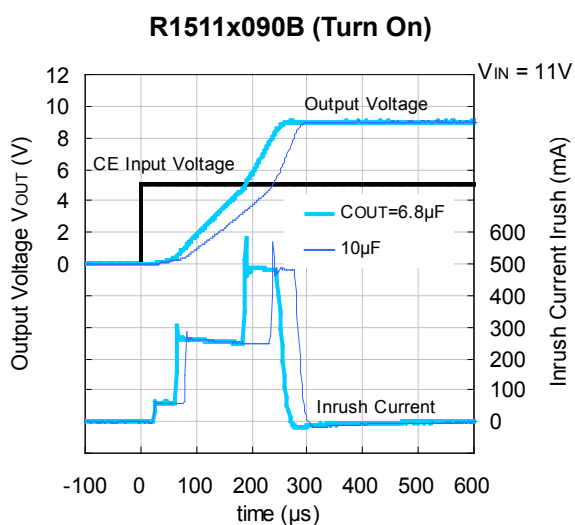


R1511x050B (Turn On)

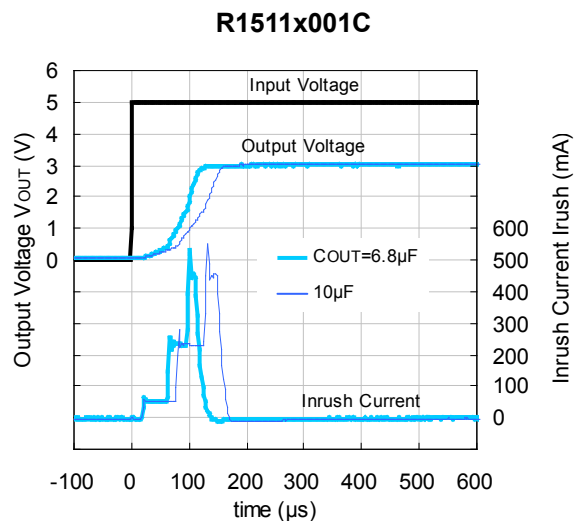
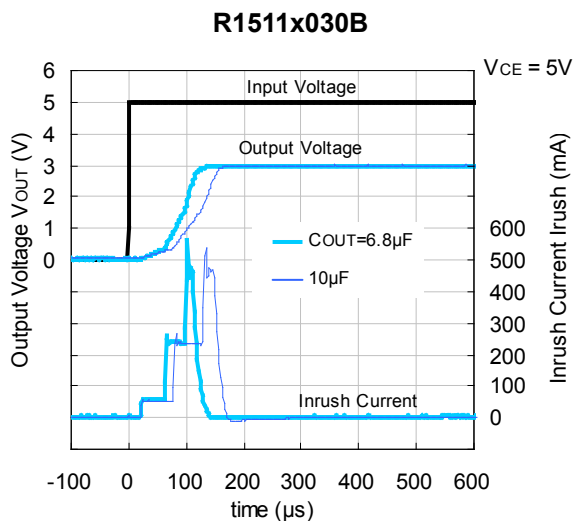


R1511x050B (Turn Off)

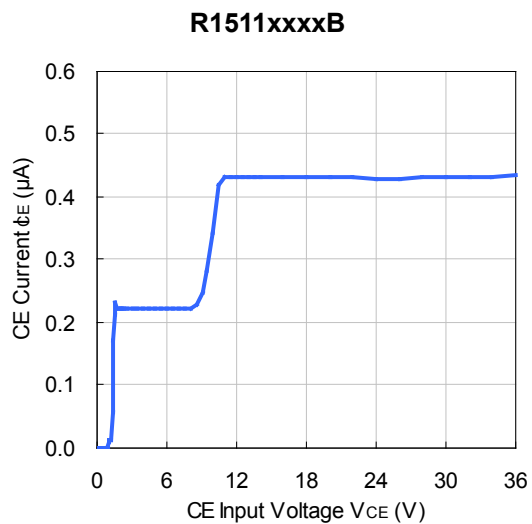




12) Start Up Waveform (Ta = 25°C)

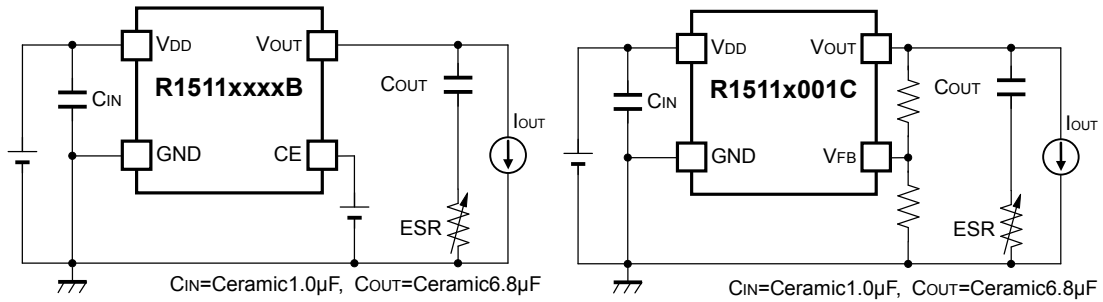


13) CE Pin Current Vs. CE Input Voltage



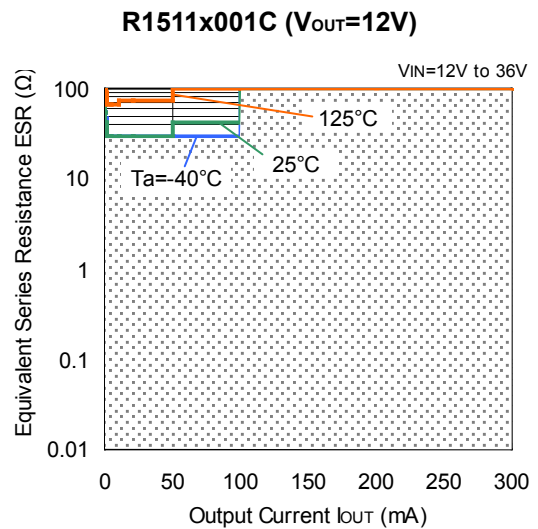
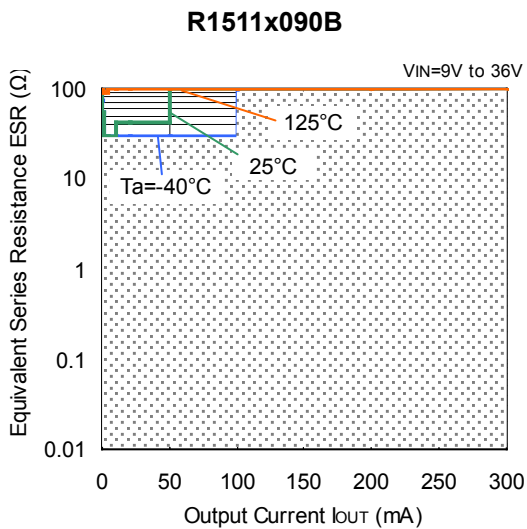
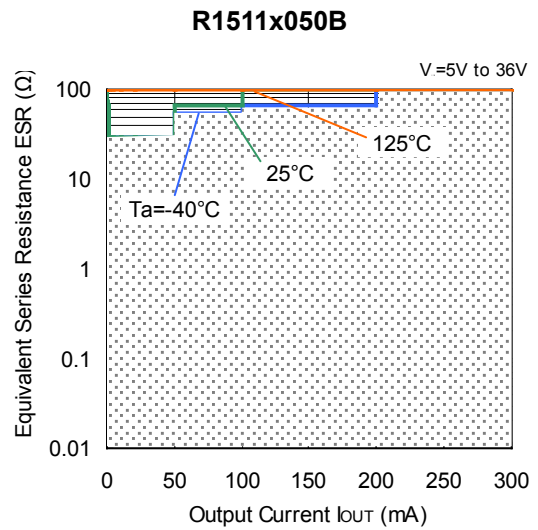
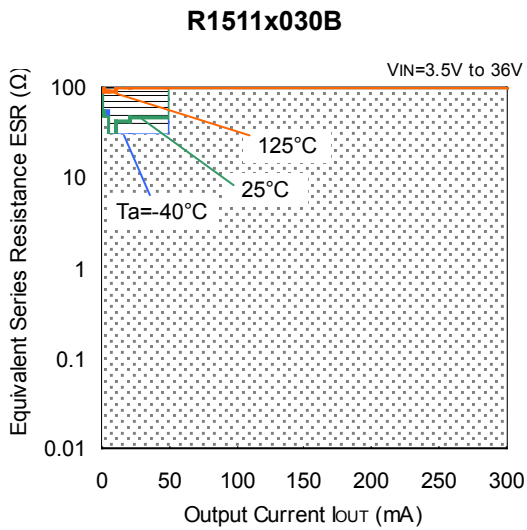
EQUIVALENT SERIES RESISTANCE (ESR) vs. OUTPUT CURRENT

Ceramic type output capacitor is recommended for this device; however, the other output capacitors with low ESR also can be used. As for reference, the below graphs show the relationship between output current (I_{OUT}) and equivalent series resistance (ESR). The noise level of the output current (I_{OUT}) was measured by the test circuit and is lower than the specified value.



Measurement Conditions

- Noise Frequency Range: 10Hz to 2MHz
- Ambient Temperature: -40°C to 125°C
- Shaded Area: Noise level is lower than the specified value (40 μ V)
- Capacitor: C_{IN} =Ceramic 1.0 μ F, C_{OUT} =Ceramic 6.8 μ F (C4532X7S1H685K)





1. The products and the product specifications described in this document are subject to change or discontinuation of production without notice for reasons such as improvement. Therefore, before deciding to use the products, please refer to Ricoh sales representatives for the latest information thereon.
2. The materials in this document may not be copied or otherwise reproduced in whole or in part without prior written consent of Ricoh.
3. Please be sure to take any necessary formalities under relevant laws or regulations before exporting or otherwise taking out of your country the products or the technical information described herein.
4. The technical information described in this document shows typical characteristics of and example application circuits for the products. The release of such information is not to be construed as a warranty of or a grant of license under Ricoh's or any third party's intellectual property rights or any other rights.
5. The products in this document are designed for automotive applications. However, when using the products for automotive applications, please make sure to contact Ricoh sales representative in advance due to confirming the quality level.
6. We are making our continuous effort to improve the quality and reliability of our products, but semiconductor products are likely to fail with certain probability. In order to prevent any injury to persons or damages to property resulting from such failure, customers should be careful enough to incorporate safety measures in their design, such as redundancy feature, fire containment feature and fail-safe feature. We do not assume any liability or responsibility for any loss or damage arising from misuse or inappropriate use of the products.
7. Anti-radiation design is not implemented in the products described in this document.
8. The X-ray exposure can influence functions and characteristics of the products. Confirm the product functions and characteristics in the evaluation stage.
9. WLCSP products should be used in light shielded environments. The light exposure can influence functions and characteristics of the products under operation or storage.
10. There can be variation in the marking when different AOI (Automated Optical Inspection) equipment is used.
In the case of recognizing the marking characteristic with AOI, please contact Ricoh sales or our distributor before attempting to use AOI.
11. Please contact Ricoh sales representatives should you have any questions or comments concerning the products or the technical information.



Ricoh is committed to reducing the environmental loading materials in electrical devices with a view to contributing to the protection of human health and the environment.

Ricoh has been providing RoHS compliant products since April 1, 2006 and Halogen-free products since April 1, 2012.

RICOH RICOH ELECTRONIC DEVICES CO., LTD.

<https://www.e-devices.ricoh.co.jp/en/>

Sales & Support Offices

Ricoh Electronic Devices Co., Ltd.

Shin-Yokohama Office (International Sales)

2-3, Shin-Yokohama 3-chome, Kohoku-ku, Yokohama-shi, Kanagawa, 222-8530, Japan
Phone: +81-50-3814-7687 Fax: +81-45-474-0074

Ricoh Americas Holdings, Inc.

675 Campbell Technology Parkway, Suite 200 Campbell, CA 95008, U.S.A.
Phone: +1-408-610-3105

Ricoh Europe (Netherlands) B.V.

Semiconductor Support Centre

Prof. W.H. Keesomlaan 1, 1183 DJ Amstelveen, The Netherlands
Phone: +31-20-5474-309

Ricoh International B.V. - German Branch

Semiconductor Sales and Support Centre

Oberrather Strasse 6, 40472 Düsseldorf, Germany
Phone: +49-211-6546-0

Ricoh Electronic Devices Korea Co., Ltd.

3F, Haesung Bldg, 504, Teheran-ro, Gangnam-gu, Seoul, 135-725, Korea
Phone: +82-2-2135-5700 Fax: +82-2-2051-5713

Ricoh Electronic Devices Shanghai Co., Ltd.

Room 403, No.2 Building, No.690 Bibo Road, Pu Dong New District, Shanghai 201203,
People's Republic of China
Phone: +86-21-5027-3200 Fax: +86-21-5027-3299

Ricoh Electronic Devices Shanghai Co., Ltd. Shenzhen Branch

1205, Block D (Jinlong Building), Kingkey 100, Hongbao Road, Luohu District,
Shenzhen, China
Phone: +86-755-8348-7600 Ext 225

Ricoh Electronic Devices Co., Ltd.

Taipei office

Room 109, 10F-1, No.51, Hengyang Rd., Taipei City, Taiwan (R.O.C.)
Phone: +886-2-2313-1621/1622 Fax: +886-2-2313-1623

Mouser Electronics

Authorized Distributor

Click to View Pricing, Inventory, Delivery & Lifecycle Information:

[Ricoch Electronics:](#)

[R1511J050B-T1-KE](#)

Компания «Океан Электроники» предлагает заключение долгосрочных отношений при поставках импортных электронных компонентов на взаимовыгодных условиях!

Наши преимущества:

- Поставка оригинальных импортных электронных компонентов напрямую с производств Америки, Европы и Азии, а так же с крупнейших складов мира;
- Широкая линейка поставок активных и пассивных импортных электронных компонентов (более 30 млн. наименований);
- Поставка сложных, дефицитных, либо снятых с производства позиций;
- Оперативные сроки поставки под заказ (от 5 рабочих дней);
- Экспресс доставка в любую точку России;
- Помощь Конструкторского Отдела и консультации квалифицированных инженеров;
- Техническая поддержка проекта, помощь в подборе аналогов, поставка прототипов;
- Поставка электронных компонентов под контролем ВП;
- Система менеджмента качества сертифицирована по Международному стандарту ISO 9001;
- При необходимости вся продукция военного и аэрокосмического назначения проходит испытания и сертификацию в лаборатории (по согласованию с заказчиком);
- Поставка специализированных компонентов военного и аэрокосмического уровня качества (Xilinx, Altera, Analog Devices, Intersil, Interpoint, Microsemi, Actel, Aeroflex, Peregrine, VPT, Syfer, Eurofarad, Texas Instruments, MS Kennedy, Miteq, Cobham, E2V, MA-COM, Hittite, Mini-Circuits, General Dynamics и др.);

Компания «Океан Электроники» является официальным дистрибьютором и эксклюзивным представителем в России одного из крупнейших производителей разъемов военного и аэрокосмического назначения «**JONHON**», а так же официальным дистрибьютором и эксклюзивным представителем в России производителя высокотехнологичных и надежных решений для передачи СВЧ сигналов «**FORSTAR**».



JONHON

«**JONHON**» (основан в 1970 г.)

Разъемы специального, военного и аэрокосмического назначения:

(Применяются в военной, авиационной, аэрокосмической, морской, железнодорожной, горно- и нефтедобывающей отраслях промышленности)

«**FORSTAR**» (основан в 1998 г.)

ВЧ соединители, коаксиальные кабели, кабельные сборки и микроволновые компоненты:

(Применяются в телекоммуникациях гражданского и специального назначения, в средствах связи, РЛС, а так же военной, авиационной и аэрокосмической отраслях промышленности).



Телефон: 8 (812) 309-75-97 (многоканальный)

Факс: 8 (812) 320-03-32

Электронная почта: ocean@oceanchips.ru

Web: <http://oceanchips.ru/>

Адрес: 198099, г. Санкт-Петербург, ул. Калинина, д. 2, корп. 4, лит. А