



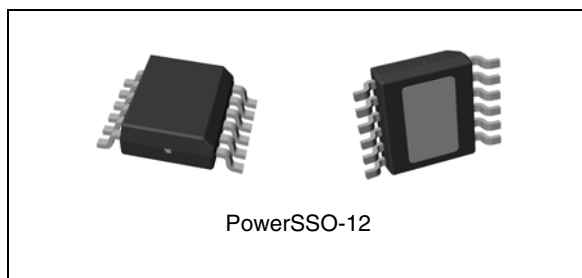
VN750PEP-E

High side driver

Features

Type	$R_{DS(on)}$	I_{OUT}	V_{CC}
VN750PEP-E	60 m Ω	6 A	36 V

- ECOPACK[®] : lead free and RoHS compliant
- Automotive Grade: compliance with AEC guidelines
- CMOS compatible input
- On-state open-load detection
- Off-state open-load detection
- Shorted load protection
- Undervoltage and overvoltage shutdown
- Protection against loss of ground
- Very low standby current
- Reverse battery protection (see [Application schematic on page 13](#))
- In compliance with the 2002/95/EC european directive



Description

The VN750PEP-E is a monolithic device designed in STMicroelectronics VIPower™ M0-3 Technology, intended for driving any kind of load with one side connected to ground.

Active V_{CC} pin voltage clamp protects the device against low energy spikes (see ISO7637 transient compatibility table). Active current limitation combined with thermal shutdown and automatic restart help protect the device against overload.

The device detects open load condition in on and off-state. Output shorted to V_{CC} is detected in the off-state. Device automatically turns off in case of ground pin disconnection.

Table 1. Device summary

Package	Order codes	
	Tube	Tape and reel
PowerSSO-12	VN750PEP-E	VN750PEPTR-E

Contents

1	Block diagram and pin description	5
2	Electrical specifications	6
2.1	Absolute maximum ratings	6
2.2	Thermal data	7
2.3	Electrical characteristics	7
2.4	GND protection network against reverse battery	13
2.4.1	Solution 1: resistor in the ground line (RGND only)	13
2.4.2	Solution 2: diode (DGND) in the ground line	14
2.5	Load dump protection	14
2.6	Microcontroller I/Os protection	14
2.7	Open-load detection in off-state	14
3	Package and PCB thermal data	16
3.1	PowerSSO-12 thermal data	16
4	Package and packing information	19
4.1	ECOPACK® packages	19
4.2	PowerSSO-12 mechanical data	19
5	Revision history	21

List of tables

Table 1.	Device summary	1
Table 2.	Suggested connections for unused and not connected pins	5
Table 3.	Absolute maximum ratings	6
Table 4.	Thermal data.	7
Table 5.	Power	7
Table 6.	Switching ($V_{CC}=13\text{ V}$).	8
Table 7.	Input pin	8
Table 8.	V_{CC} output diode.	8
Table 9.	Status pin	8
Table 10.	Protections	8
Table 11.	Open-load detection	9
Table 12.	Truth table.	10
Table 13.	Electrical transient requirements on V_{CC} pin (part 1/3).	10
Table 14.	Electrical transient requirements on V_{CC} pin (part 2/3).	11
Table 15.	Electrical transient requirements on V_{CC} pin (part 3/3).	11
Table 16.	PowerSSO-12 thermal parameter	17
Table 17.	PowerSSO-12 mechanical data	20
Table 18.	Document revision history	21

List of figures

Figure 1.	Block diagram	5
Figure 2.	Configuration diagram (top view)	5
Figure 3.	Current and voltage conventions	6
Figure 4.	Status timings	9
Figure 5.	Switching time waveforms	10
Figure 6.	Waveforms	12
Figure 7.	Application schematic	13
Figure 8.	Open-load detection in off-state	15
Figure 9.	PowerSSO-12 PC board.	16
Figure 10.	Rthj-amb vs PCB copper area in open box free air condition	16
Figure 11.	P ² PAK thermal impedance junction ambient single pulse	17
Figure 12.	PowerSSO-12 thermal fitting model of a single channel	17
Figure 13.	PowerSSO-12 package dimensions	19

Obsolete Product(s) - Obsolete Product(s)

1 Block diagram and pin description

Figure 1. Block diagram

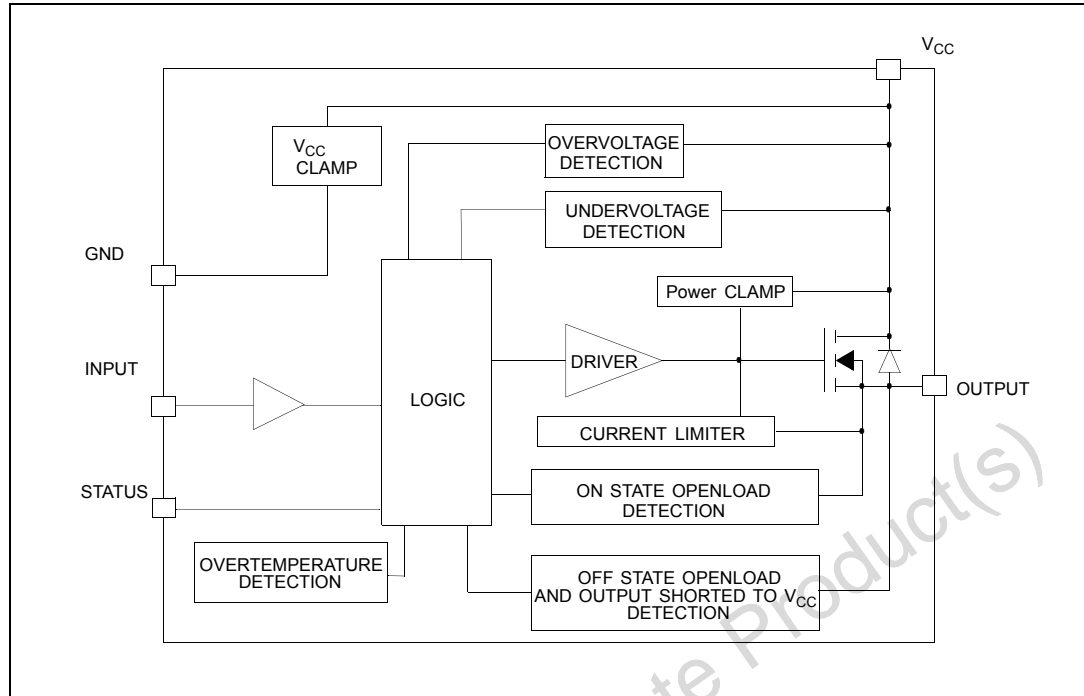


Figure 2. Configuration diagram (top view)

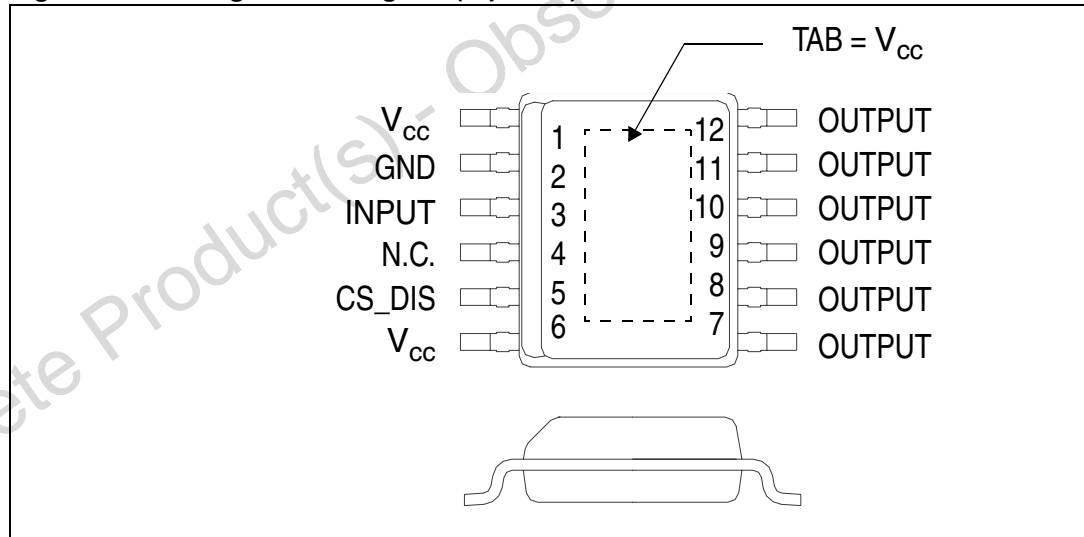
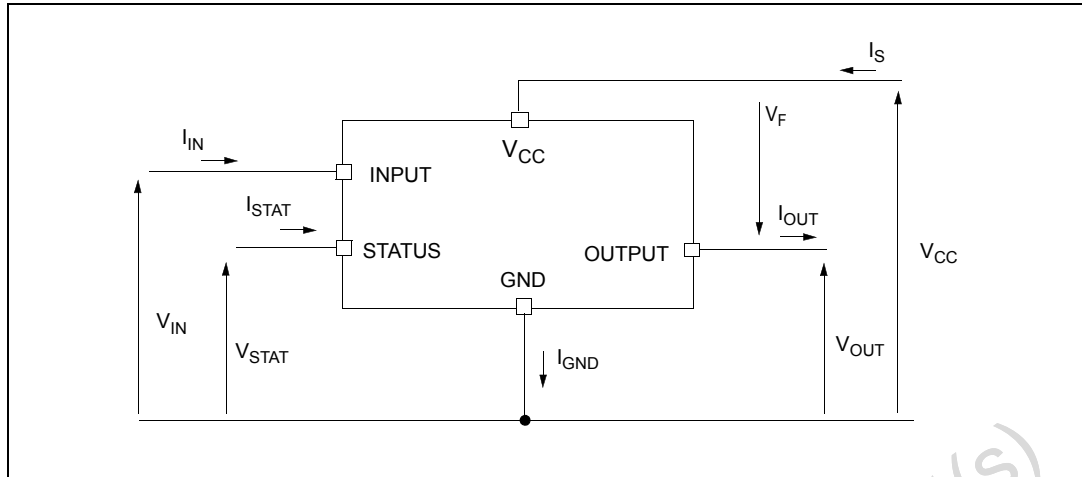


Table 2. Suggested connections for unused and not connected pins

Connection/pin	Status	N.C.	Output	Input
Floating	X	X	X	X
To ground		X		Through 10 KΩ resistor

2 Electrical specifications

Figure 3. Current and voltage conventions



2.1 Absolute maximum ratings

Stress values that exceed those listed in the “Absolute maximum ratings” table can cause permanent damage to the device. These are stress ratings only, and operation of the device at these, or any other conditions greater than those, indicated in the operating sections of this specification is not implied. Exposure to absolute maximum rating conditions for extended periods may affect device reliability. Refer also to the STMicroelectronics sure program and other relevant quality documents.

Table 3. Absolute maximum ratings

Symbol	Parameter	Value	Unit
V_{CC}	DC supply voltage	41	V
$-V_{CC}$	Reverse DC supply voltage	- 0.3	V
$-I_{gnd}$	DC reverse ground pin current	- 200	mA
I_{OUT}	DC output current	Internally limited	A
$-I_{OUT}$	Reverse DC output current	- 6	A
I_{IN}	DC input current	+/- 10	mA
I_{STAT}	DC status current	+/- 10	mA
V_{ESD}	Electrostatic discharge (human body model: R=1.5 K Ω ; C=100pF)		
	- Input	4000	V
	- Status	4000	V
	- Output	5000	V
	- V_{CC}	5000	V
P_{tot}	Power dissipation $T_C=25^\circ C$	74	W

Table 3. Absolute maximum ratings (continued)

Symbol	Parameter	Value	Unit
T_j	Junction operating temperature	Internally limited	°C
T_c	Case operating temperature	- 40 to 150	°C
T_{stg}	Storage temperature	- 55 to 150	°C

2.2 Thermal data

Table 4. Thermal data

Symbol	Parameter	Max. value	Unit
$R_{thj-case}$	Thermal resistance junction-case	1.7	°C/W
$R_{thj-amb}$	Thermal resistance junction-ambient	61 ⁽¹⁾	50 ⁽²⁾ °C/W

1. When mounted on a standard single-sided FR-4 board with 1cm² of Cu (at least 35µm thick) connected to all V_{CC} pins.
2. When mounted on a standard single-sided FR-4 board with 8cm² of Cu (at least 35µm thick) connected to all V_{CC} pins.

2.3 Electrical characteristics

Values specified in this section are for 8 V < V_{CC} < 36 V; -40 °C < T_j < 150 °C, unless otherwise stated.

Table 5. Power

Symbol	Parameter	Test conditions	Min.	Typ.	Max.	Unit
V _{CC}	Operating supply voltage		5.5	13	36	V
V _{USD}	Undervoltage shutdown		3	4	5.5	V
V _{USDhyst}	Undervoltage shutdown hysteresis			0.5		V
V _{OV}	Overvoltage shutdown		36			V
R _{ON}	On-state resistance	I _{OUT} =2 A; T _j =25 °C; V _{CC} > 8 V I _{OUT} =2 A; V _{CC} > 8 V			60 120	mΩ mΩ
I _S	Supply current	Off-state; V _{CC} =13 V; V _{IN} =V _{OUT} =0 V Off-state; V _{CC} =13 V; V _{IN} =V _{OUT} =0 V; T _j =25 °C On-state; V _{CC} =13 V; V _{IN} =5 V; I _{OUT} =0 A		10 10 2	25 20 3.5	µA µA mA
I _{L(off1)}	Off-state output current	V _{IN} =V _{OUT} =0 V	0		50	µA
I _{L(off2)}	Off-state output current	V _{IN} =0V; V _{OUT} =3.5 V	-75		0	µA
I _{L(off3)}	Off-state output current	V _{IN} =V _{OUT} =0 V; V _{CC} =13 V; T _j =125 °C			5	µA
I _{L(off4)}	Off-state output current	V _{IN} =V _{OUT} =0 V; V _{CC} =13 V; T _j =25 °C			3	µA

Table 6. Switching ($V_{CC}=13\text{ V}$)

Symbol	Parameter	Test conditions	Min.	Typ.	Max.	Unit
$t_{d(on)}$	Turn-on delay time	$R_L=6.5\ \Omega$ from V_{IN} rising edge to $V_{OUT}=1.3\text{ V}$	-	40	-	μs
$t_{d(off)}$	Turn-off delay time	$R_L=6.5\ \Omega$ from V_{IN} falling edge to $V_{OUT}=11.7\text{ V}$	-	30	-	μs
$dV_{OUT}/dt_{(on)}$	Turn-on voltage slope	$R_L=6.5\ \Omega$ from $V_{OUT}=1.3\text{ V}$ to $V_{OUT}=10.4\text{ V}$	-	0.5	-	$\text{V}/\mu\text{s}$
$dV_{OUT}/dt_{(off)}$	Turn-off voltage slope	$R_L=6.5\ \Omega$ from $V_{OUT}=11.7\text{ V}$ to $V_{OUT}=1.3\text{ V}$	-	0.2	-	$\text{V}/\mu\text{s}$

Table 7. Input pin

Symbol	Parameter	Test conditions	Min.	Typ.	Max.	Unit
V_{IL}	Input low level				1.25	V
I_{IL}	Low level input current	$V_{IN}=1.25\text{ V}$	1			μA
V_{IH}	Input high level		3.25			V
I_{IH}	High level input current	$V_{IN}=3.25\text{ V}$			10	μA
V_{hyst}	Input hysteresis voltage		0.5			V
V_{ICL}	Input clamp voltage	$I_{IN}=1\text{ mA}$ $I_{IN}=-1\text{ mA}$	6	6.8 -0.7	8	V V

Table 8. V_{CC} output diode

Symbol	Parameter	Test conditions	Min.	Typ.	Max.	Unit
V_F	Forward on voltage	$-I_{OUT}=1.3\text{ A}$; $T_j=150\text{ }^\circ\text{C}$			0.6	V

Table 9. Status pin

Symbol	Parameter	Test conditions	Min.	Typ.	Max.	Unit
V_{STAT}	Status low output voltage	$I_{STAT}=1.6\text{ mA}$			0.5	V
I_{LSTAT}	Status leakage current	Normal operation; $V_{STAT}=5\text{ V}$			10	μA
C_{STAT}	Status pin input capacitance	Normal operation; $V_{STAT}=5\text{ V}$			100	pF
V_{SCL}	Status clamp voltage	$I_{STAT}=1\text{ mA}$ $I_{STAT}=-1\text{ mA}$	6	6.8 -0.7	8	V V

Table 10. Protections⁽¹⁾

Symbol	Parameter	Test conditions	Min.	Typ.	Max.	Unit
T_{TSD}	Shutdown temperature		150	175	200	$^\circ\text{C}$
T_R	Reset temperature		135			$^\circ\text{C}$

Table 10. Protections⁽¹⁾ (continued)

Symbol	Parameter	Test conditions	Min.	Typ.	Max.	Unit
T_{hyst}	Thermal hysteresis		7	15		°C
t_{SDL}	Status delay in overload condition	$T_j > T_{jsh}$			20	ms
I_{lim}	Current limitation	9 V < V_{CC} < 36 V 5 V < V_{CC} < 36 V	6	9	15 15	A A
V_{demag}	Turn-off output clamp voltage	$I_{OUT}=2$ A; $V_{IN}=0$ V; L=6 mH	$V_{CC}-41$	$V_{CC}-48$	$V_{CC}-55$	V

1. To ensure long term reliability under heavy overload or short circuit conditions, protection and related diagnostic signals must be used together with a proper software strategy. If the device operates under abnormal conditions this software must limit the duration and number of activation cycles.

Table 11. Open-load detection

Symbol	Parameter	Test conditions	Min.	Typ.	Max.	Unit
I_{OL}	Open-load on-state detection threshold	$V_{IN}=5$ V	50	100	200	mA
$t_{DOL(on)}$	Open-load on-state detection delay	$I_{OUT}=0$ A			200	µs
V_{OL}	Open-load off-state voltage detection threshold	$V_{IN}=0$ V	1.5	2.5	3.5	V
$t_{DOL(off)}$	Open-load detection delay at turn-off				1000	µs

Figure 4. Status timings

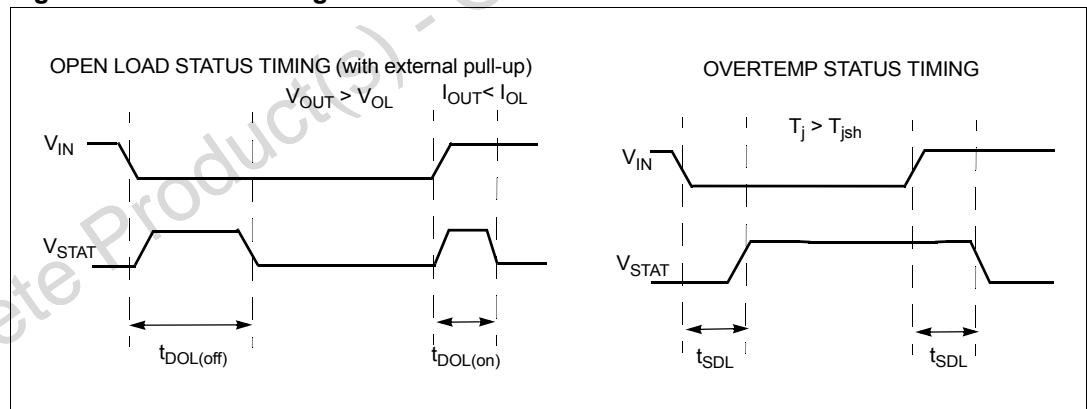


Figure 5. Switching time waveforms

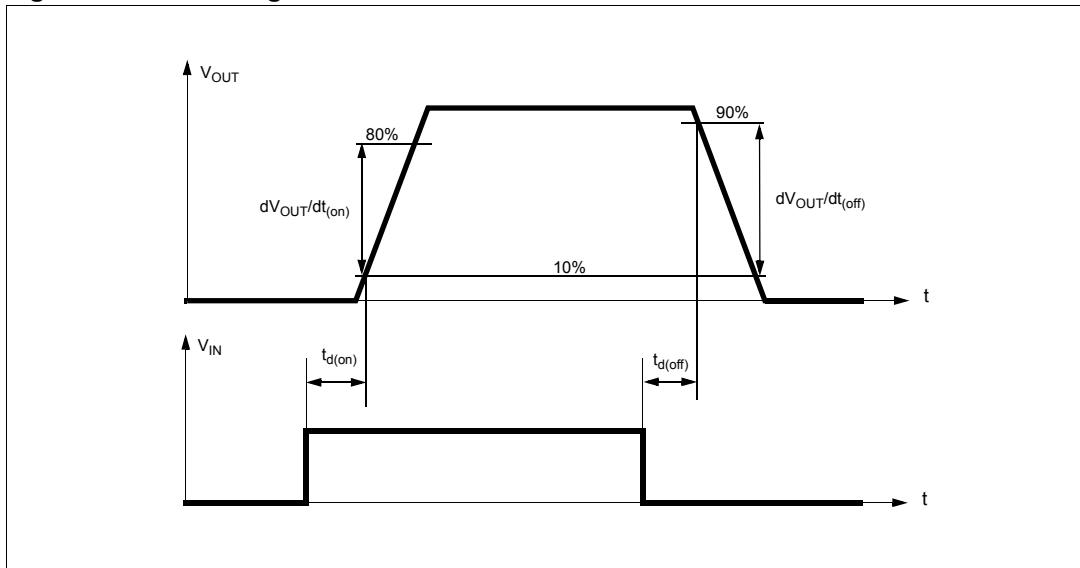


Table 12. Truth table

Conditions	Input	Output	Status
Normal operation	L	L	H
	H	H	H
Current limitation	L	L	H
	H	X	($T_j < T_{TSD}$) H ($T_j > T_{TSD}$) L
Overtemperature	L	L	H
	H	L	L
Undervoltage	L	L	X
	H	L	X
Overvoltage	L	L	H
	H	L	H
Output voltage $> V_{OL}$	L	H	L
	H	H	H
Output current $< I_{OL}$	L	L	H
	H	H	L

Table 13. Electrical transient requirements on V_{CC} pin (part 1/3)

ISO T/R 7637/1 test pulse	Test levels				Delays and impedance
	I	II	III	IV	
1	-25 V	-50 V	-75 V	-100 V	2 ms 10 Ω
2	+25 V	+50 V	+75 V	+100 V	0.2 ms 10 Ω
3a	-25 V	-50 V	-100 V	-150 V	0.1 μs 50 Ω

Table 13. Electrical transient requirements on V_{CC} pin (part 1/3) (continued)

ISO T/R 7637/1 test pulse	Test levels				Delays and impedance
	I	II	III	IV	
3b	+25 V	+50 V	+75 V	+100 V	0.1 μs 50 Ω
4	-4 V	-5 V	-6 V	-7 V	100 ms, 0.01 Ω
5	+26.5 V	+46.5 V	+66.5 V	+86.5 V	400 ms, 2 Ω

Table 14. Electrical transient requirements on V_{CC} pin (part 2/3)

ISO T/R 7637/1 test pulse	Test levels results			
	I	II	III	IV
1	C	C	C	C
2	C	C	C	C
3a	C	C	C	C
3b	C	C	C	C
4	C	C	C	C
5	C	E	E	E

Table 15. Electrical transient requirements on V_{CC} pin (part 3/3)

Class	Contents
C	All functions of the device are performed as designed after exposure to disturbance.
E	One or more functions of the device is not performed as designed after exposure to disturbance and cannot be returned to proper operation without replacing the device.

Figure 6. Waveforms

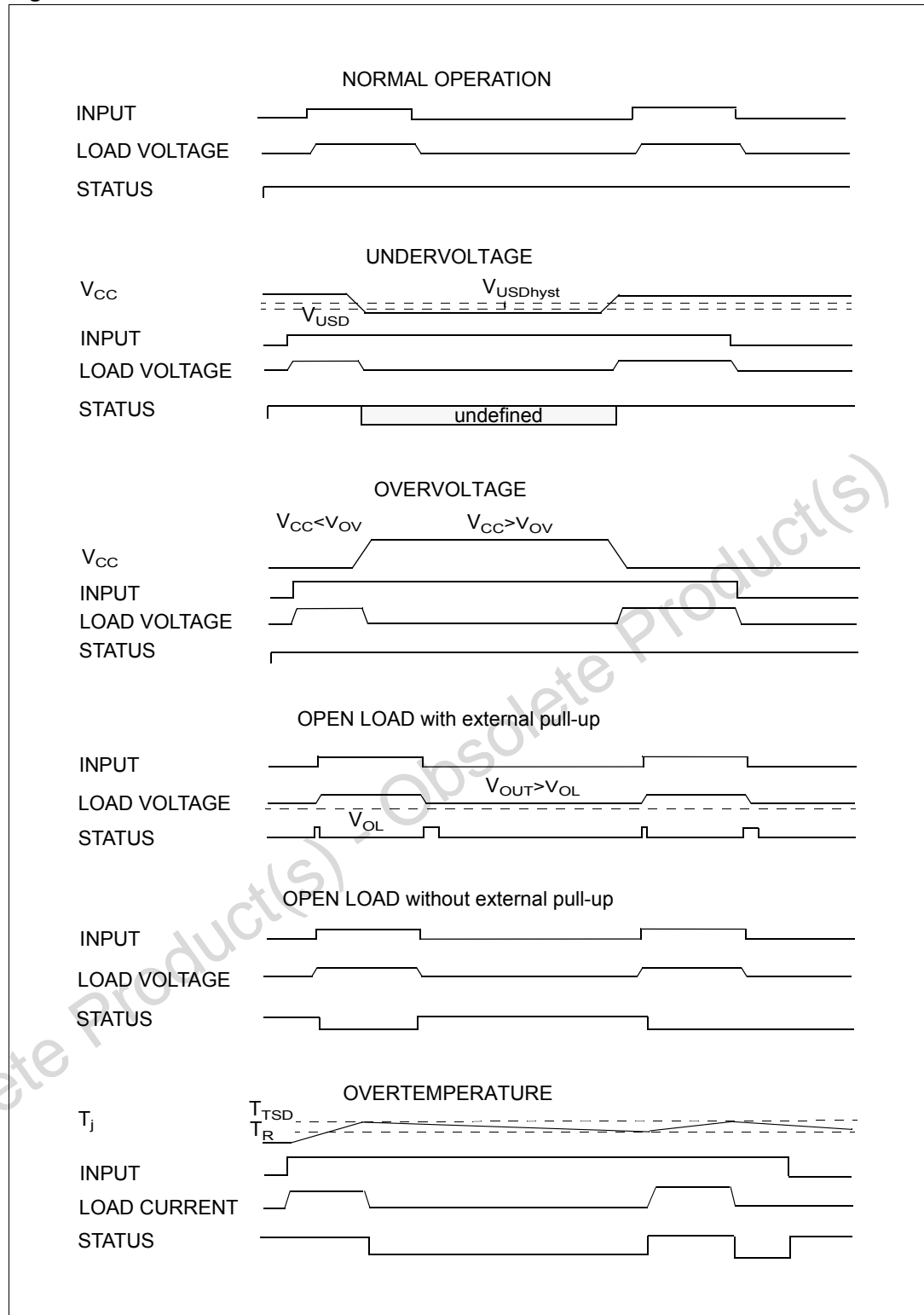
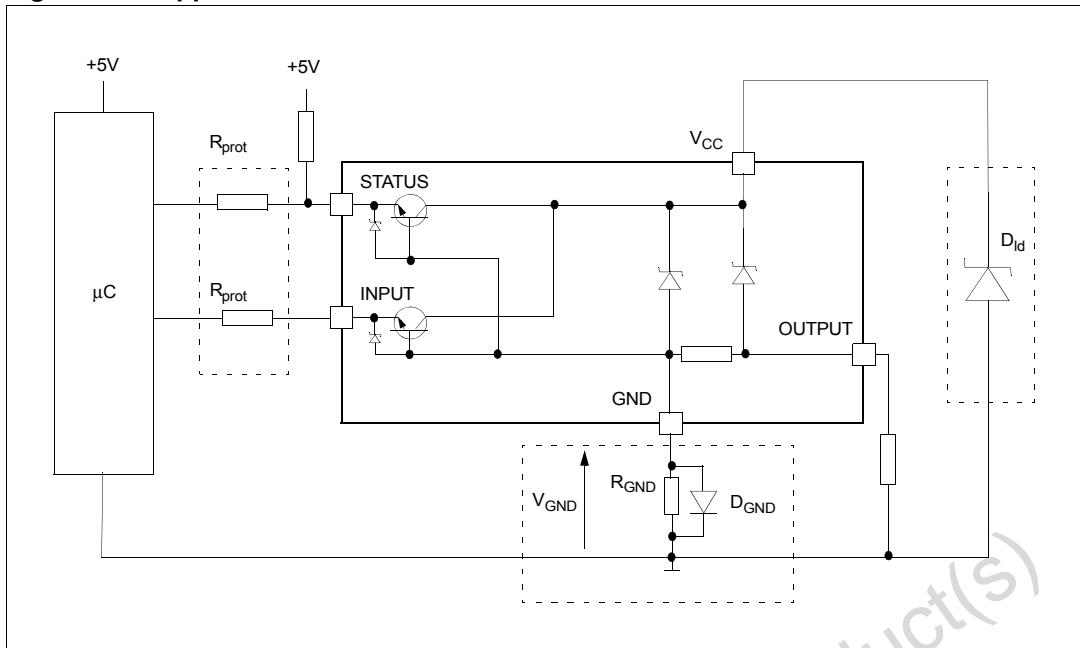


Figure 7. Application schematic



2.4 GND protection network against reverse battery

2.4.1 Solution 1: resistor in the ground line (R_{GND} only)

This can be used with any type of load.

The following is an indication on how to dimension the R_{GND} resistor.

1. $R_{GND} \leq 600\text{mV} / (I_{S(on)max})$.
2. $R_{GND} \geq (-V_{CC}) / (-I_{GND})$

where -I_{GND} is the DC reverse ground pin current and can be found in the absolute maximum rating section of the device datasheet.

Power Dissipation in R_{GND} (when V_{CC}<0: during reverse battery situations) is:

$$P_D = (-V_{CC})^2 / R_{GND}$$

This resistor can be shared amongst several different HSDs. Please note that the value of this resistor should be calculated with formula (1) where I_{S(on)max} becomes the sum of the maximum on-state currents of the different devices.

Please note that if the microprocessor ground is not shared by the device ground then the R_{GND} produces a shift (I_{S(on)max} * R_{GND}) in the input thresholds and the status output values. This shift varies depending on how many devices are ON in the case of several high side drivers sharing the same R_{GND}.

If the calculated power dissipation leads to a large resistor or several devices have to share the same resistor then ST suggests to utilize Solution 2 (see below).

2.4.2 Solution 2: diode (D_{GND}) in the ground line

A resistor ($R_{GND}=1\text{ k}\Omega$) should be inserted in parallel to D_{GND} if the device drives an inductive load.

This small signal diode can be safely shared amongst several different HSDs. Also in this case, the presence of the ground network produces a shift ($\approx 600\text{mV}$) in the input threshold and in the status output values if the microprocessor ground is not common to the device ground. This shift not varies if more than one HSD shares the same diode/resistor network.

Series resistor in input and status lines are also required to prevent that, during battery voltage transient, the current exceeds the absolute maximum rating.

Safest configuration for unused input and status pin is to leave them unconnected.

2.5 Load dump protection

D_{ld} is necessary (voltage transient suppressor) if the load dump peak voltage exceeds the V_{CC} max DC rating. The same applies if the device is subject to transients on the V_{CC} line that are greater than the ones shown in the ISO 7637-2: 2004(E) table.

2.6 Microcontroller I/Os protection

If a ground protection network is used and negative transient are present on the V_{CC} line, the control pins is pulled negative. ST suggests to insert a resistor (R_{prot}) in line to prevent the μC I/Os pins to latch-up.

The value of these resistors is a compromise between the leakage current of μC and the current required by the HSD I/Os (Input levels compatibility) with the latch-up limit of μC I/Os.

$$-V_{CCpeak}/I_{latchup} \leq R_{prot} \leq (V_{OH\mu C} - V_{IH} - V_{GND}) / I_{IHmax}$$

Calculation example:

For $V_{CCpeak} = -100\text{ V}$ and $I_{latchup} \geq 20\text{ mA}$; $V_{OH\mu C} \geq 4.5\text{ V}$

$$5\text{ k}\Omega \leq R_{prot} \leq 65\text{ k}\Omega.$$

Recommended values: $R_{prot} = 10\text{ k}\Omega$.

2.7 Open-load detection in off-state

Off-state open-load detection requires an external pull-up resistor (R_{PU}) connected between output pin and a positive supply voltage (V_{PU}) like the +5 V line used to supply the microprocessor.

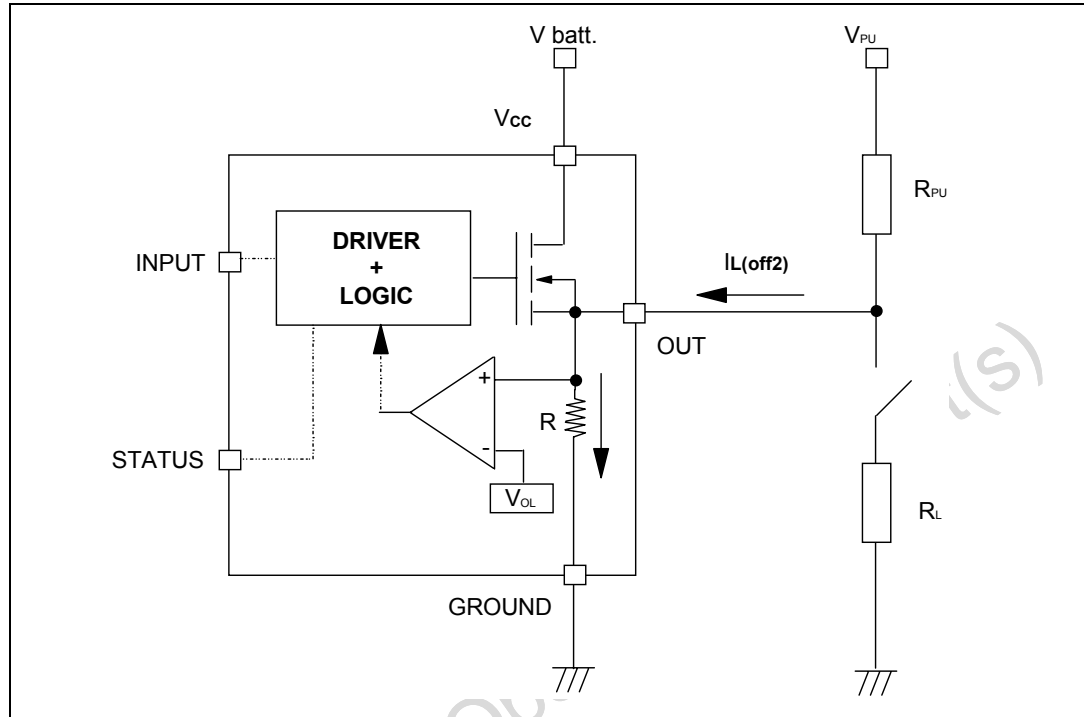
The external resistor has to be selected according to the following requirements:

- no false open-load indication when load is connected: in this case we have to avoid V_{OUT} to be higher than V_{OLmin} ; this results in the following condition $V_{OUT} = (V_{PU} / (R_L + R_{PU})) R_L < V_{OLmin}$.
- no misdetection when load is disconnected: in this case the V_{OUT} has to be higher than V_{OLmax} ; this results in the following condition $R_{PU} < (V_{PU} - V_{OLmax}) / I_{L(off2)}$.

Because $I_{s(OFF)}$ may significantly increase if V_{out} is pulled high (up to several mA), the pull-up resistor R_{PU} should be connected to a supply that is switched off when the module is in standby.

The values of V_{OLmin} , V_{OLmax} and $I_{L(off2)}$ are available in the electrical characteristics section.

Figure 8. Open-load detection in off-state

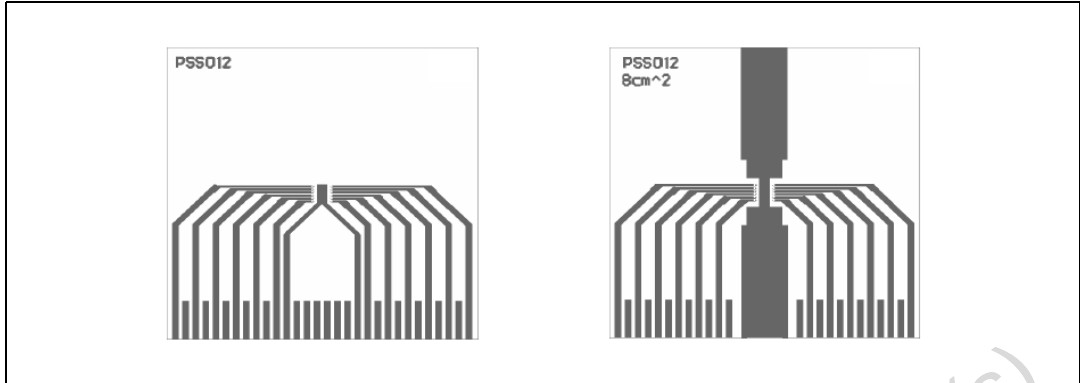


Obsolete Product(s) - Obsolete

3 Package and PCB thermal data

3.1 PowerSSO-12 thermal data

Figure 9. PowerSSO-12 PC board



Note: Layout condition of R_{th} and Z_{th} measurements (PCB FR4 area = 78 mm x 78 mm, PCB thickness = 2 mm, Cu thickness=35 μ m, Copper areas: from minimum pad lay-out to 8 cm²).

Figure 10. $R_{thj-amb}$ vs PCB copper area in open box free air condition

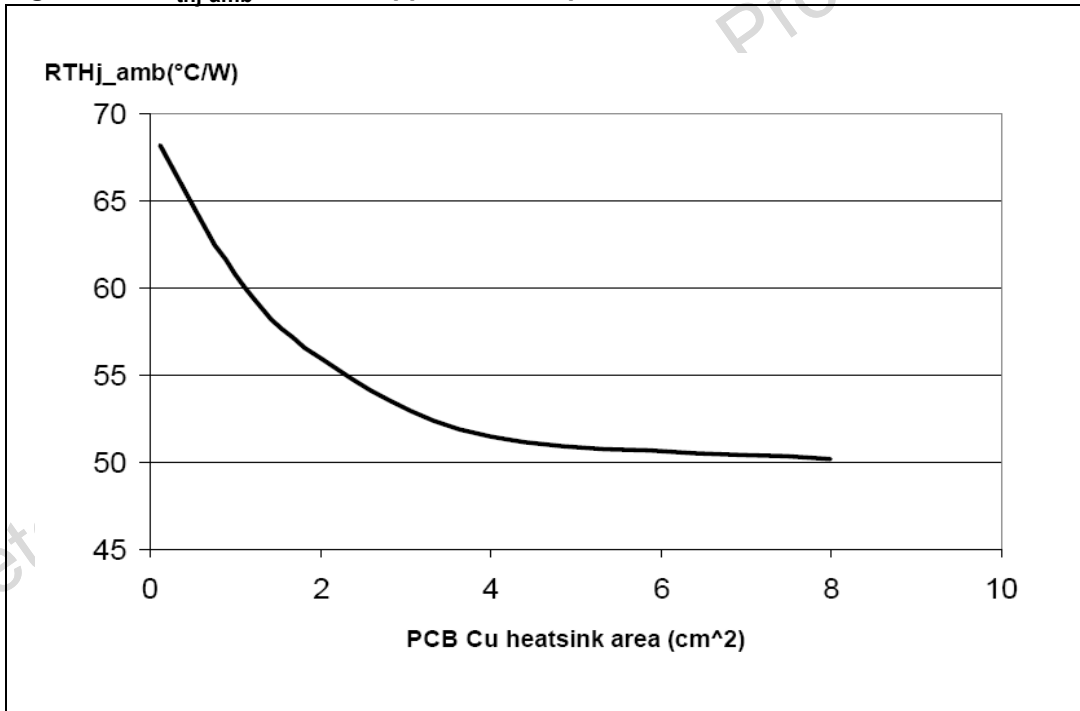
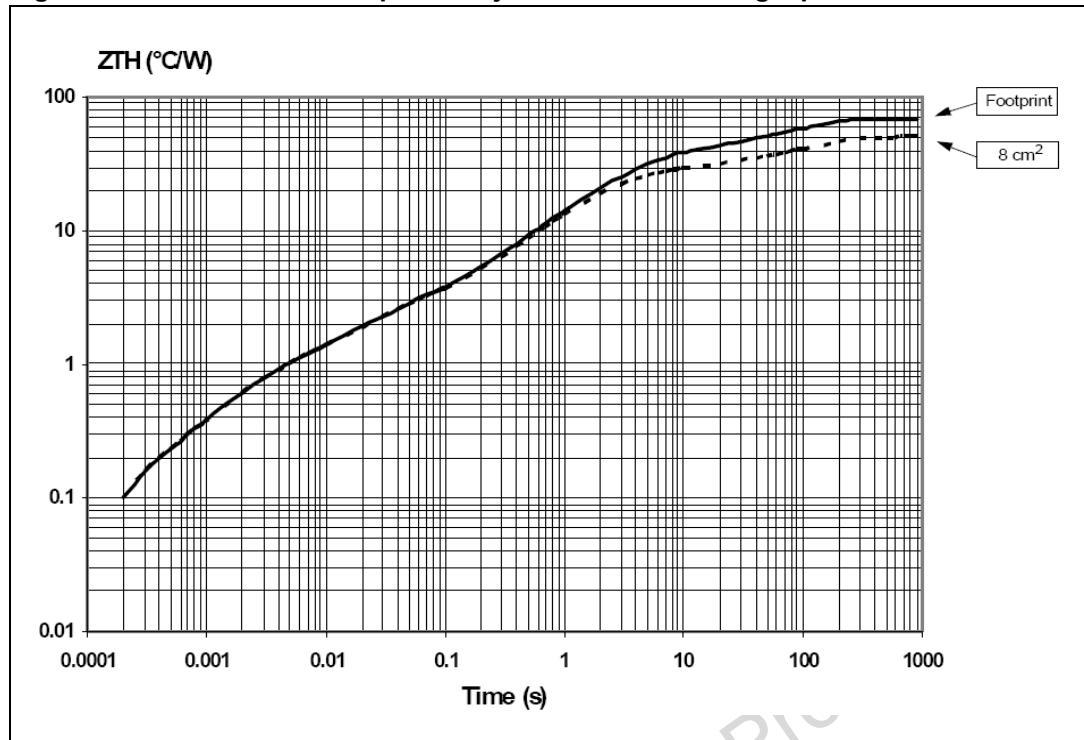


Figure 11. P²PAK thermal impedance junction ambient single pulse



Equation 1: pulse calculation formula

$$Z_{TH\delta} = R_{TH} \cdot \delta + Z_{THtp}(1 - \delta)$$

where $\delta = t_p/T$

Figure 12. PowerSSO-12 thermal fitting model of a single channel

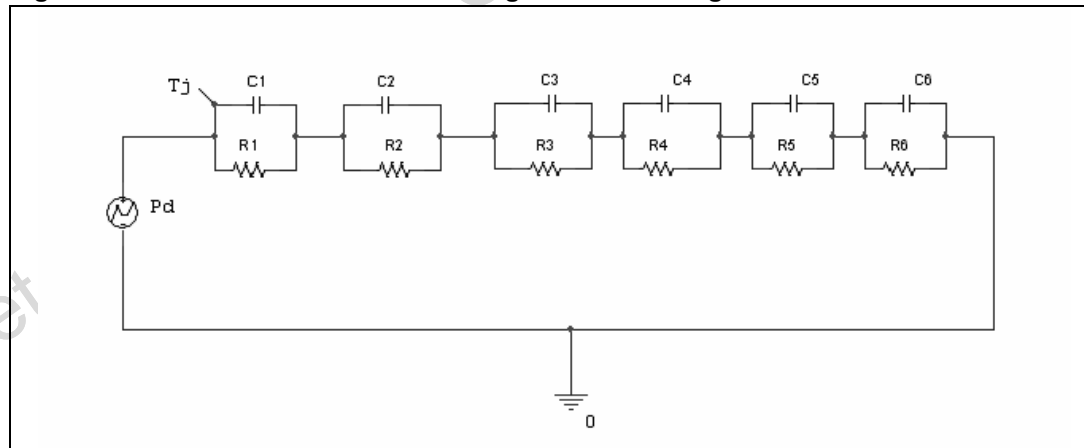


Table 16. PowerSSO-12 thermal parameter

Area/island (cm ²)	Footprint	8
R1 (°C/W)	0.1	
R2 (°C/W)	0.6	

Table 16. PowerSSO-12 thermal parameter (continued)

Area/island (cm ²)	Footprint	8
R3 (°C/W)	1.5	
R4 (°C/W)	8	
R5 (°C/W)	28	18
R6 (°C/W)	30	22
C1 (W·s/°C)	0.001	
C2 (W·s/°C)	0.0035	
C3 (W·s/°C)	0.015	
C4 (W·s/°C)	0.1	
C5 (W·s/°C)	0.15	0.017
C6 (W·s/°C)	3	5

Obsolete Product(s) - Obsolete Product(s)

4 Package and packing information

4.1 ECOPACK® packages

In order to meet environmental requirements, ST offers these devices in different grades of ECOPACK® packages, depending on their level of environmental compliance. ECOPACK® specifications, grade definitions and product status are available at: www.st.com.

ECOPACK® is an ST trademark.

4.2 PowerSSO-12 mechanical data

Figure 13. PowerSSO-12 package dimensions

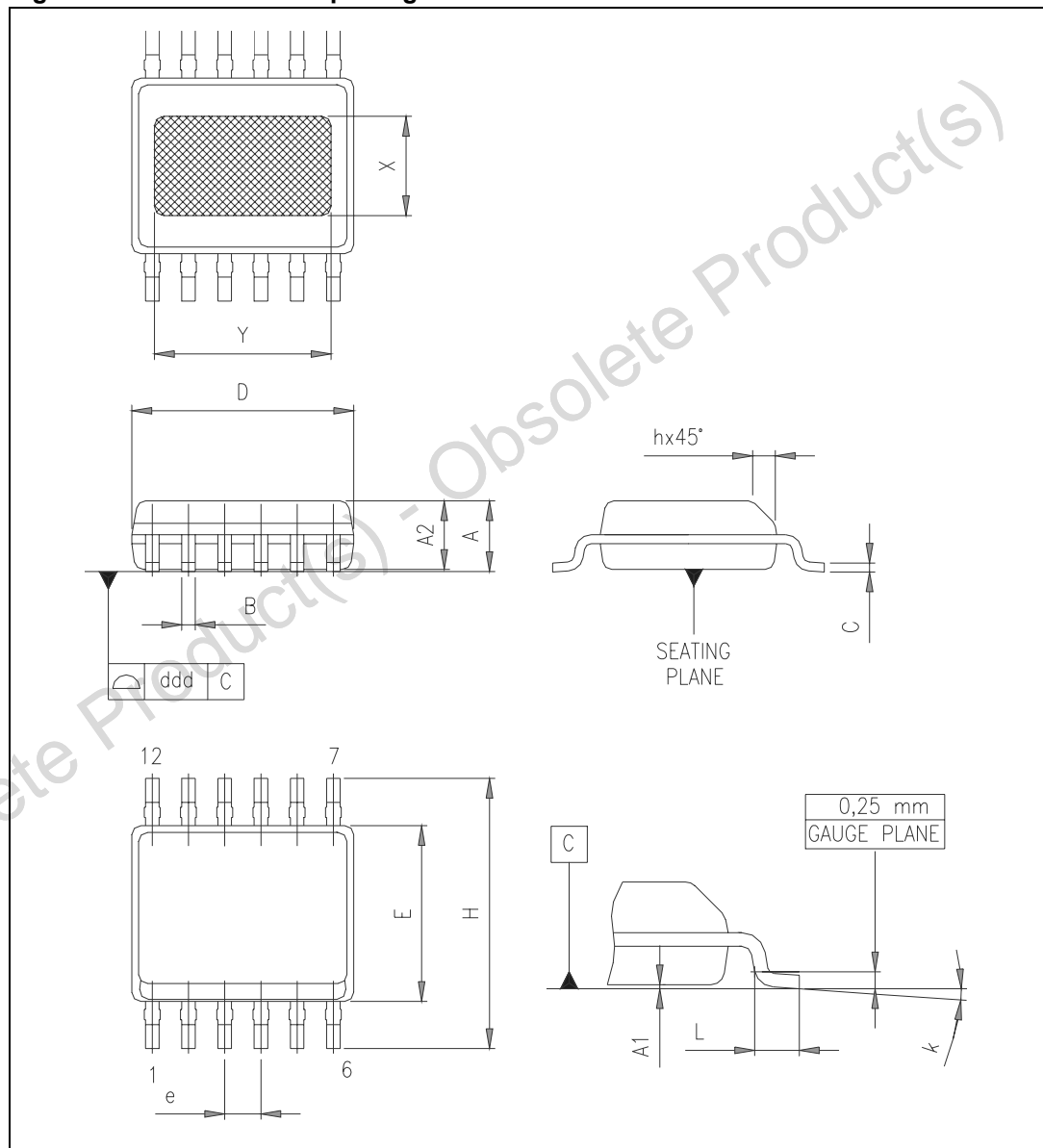


Table 17. PowerSSO-12 mechanical data

Symbol	Millimeters		
	Min.	Typ.	Max.
A	1.25		1.62
A1	0		0.1
A2	1.10		1.65
B	0.23		0.41
C	0.19		0.25
D	4.8		5.0
E	3.8		4.0
e		0.8	
H	5.8		6.2
h	0.25		0.5
L	0.4		1.27
k	0°		8°
X	1.9		2.5
Y	3.6		4.2
ddd			0.1

5 Revision history

Table 18. Document revision history

Date	Revision	Changes
07-Oct-2004	1	Initial release.
24-Nov-2004	2	PowerSSO-12 thermal characteristics insertion.
12-Dec-2004	3	Thermal data correction.
23-Nov-2009	4	Updated feature list.

Obsolete Product(s) - Obsolete Product(s)

Please Read Carefully:

Information in this document is provided solely in connection with ST products. STMicroelectronics NV and its subsidiaries ("ST") reserve the right to make changes, corrections, modifications or improvements, to this document, and the products and services described herein at any time, without notice.

All ST products are sold pursuant to ST's terms and conditions of sale.

Purchasers are solely responsible for the choice, selection and use of the ST products and services described herein, and ST assumes no liability whatsoever relating to the choice, selection or use of the ST products and services described herein.

No license, express or implied, by estoppel or otherwise, to any intellectual property rights is granted under this document. If any part of this document refers to any third party products or services it shall not be deemed a license grant by ST for the use of such third party products or services, or any intellectual property contained therein or considered as a warranty covering the use in any manner whatsoever of such third party products or services or any intellectual property contained therein.

UNLESS OTHERWISE SET FORTH IN ST'S TERMS AND CONDITIONS OF SALE ST DISCLAIMS ANY EXPRESS OR IMPLIED WARRANTY WITH RESPECT TO THE USE AND/OR SALE OF ST PRODUCTS INCLUDING WITHOUT LIMITATION IMPLIED WARRANTIES OF MERCHANTABILITY, FITNESS FOR A PARTICULAR PURPOSE (AND THEIR EQUIVALENTS UNDER THE LAWS OF ANY JURISDICTION), OR INFRINGEMENT OF ANY PATENT, COPYRIGHT OR OTHER INTELLECTUAL PROPERTY RIGHT.

UNLESS EXPRESSLY APPROVED IN WRITING BY AN AUTHORIZED ST REPRESENTATIVE, ST PRODUCTS ARE NOT RECOMMENDED, AUTHORIZED OR WARRANTED FOR USE IN MILITARY, AIR CRAFT, SPACE, LIFE SAVING, OR LIFE SUSTAINING APPLICATIONS, NOR IN PRODUCTS OR SYSTEMS WHERE FAILURE OR MALFUNCTION MAY RESULT IN PERSONAL INJURY, DEATH, OR SEVERE PROPERTY OR ENVIRONMENTAL DAMAGE. ST PRODUCTS WHICH ARE NOT SPECIFIED AS "AUTOMOTIVE GRADE" MAY ONLY BE USED IN AUTOMOTIVE APPLICATIONS AT USER'S OWN RISK.

Resale of ST products with provisions different from the statements and/or technical features set forth in this document shall immediately void any warranty granted by ST for the ST product or service described herein and shall not create or extend in any manner whatsoever, any liability of ST.

ST and the ST logo are trademarks or registered trademarks of ST in various countries.

Information in this document supersedes and replaces all information previously supplied.

The ST logo is a registered trademark of STMicroelectronics. All other names are the property of their respective owners.

© 2009 STMicroelectronics - All rights reserved

STMicroelectronics group of companies

Australia - Belgium - Brazil - Canada - China - Czech Republic - Finland - France - Germany - Hong Kong - India - Israel - Italy - Japan - Malaysia - Malta - Morocco - Philippines - Singapore - Spain - Sweden - Switzerland - United Kingdom - United States of America

www.st.com

Компания «Океан Электроники» предлагает заключение долгосрочных отношений при поставках импортных электронных компонентов на взаимовыгодных условиях!

Наши преимущества:

- Поставка оригинальных импортных электронных компонентов напрямую с производств Америки, Европы и Азии, а так же с крупнейших складов мира;
- Широкая линейка поставок активных и пассивных импортных электронных компонентов (более 30 млн. наименований);
- Поставка сложных, дефицитных, либо снятых с производства позиций;
- Оперативные сроки поставки под заказ (от 5 рабочих дней);
- Экспресс доставка в любую точку России;
- Помощь Конструкторского Отдела и консультации квалифицированных инженеров;
- Техническая поддержка проекта, помощь в подборе аналогов, поставка прототипов;
- Поставка электронных компонентов под контролем ВП;
- Система менеджмента качества сертифицирована по Международному стандарту ISO 9001;
- При необходимости вся продукция военного и аэрокосмического назначения проходит испытания и сертификацию в лаборатории (по согласованию с заказчиком);
- Поставка специализированных компонентов военного и аэрокосмического уровня качества (Xilinx, Altera, Analog Devices, Intersil, Interpoint, Microsemi, Actel, Aeroflex, Peregrine, VPT, Syfer, Eurofarad, Texas Instruments, MS Kennedy, Miteq, Cobham, E2V, MA-COM, Hittite, Mini-Circuits, General Dynamics и др.);

Компания «Океан Электроники» является официальным дистрибьютором и эксклюзивным представителем в России одного из крупнейших производителей разъемов военного и аэрокосмического назначения «JONHON», а так же официальным дистрибьютором и эксклюзивным представителем в России производителя высокотехнологичных и надежных решений для передачи СВЧ сигналов «FORSTAR».



JONHON

«JONHON» (основан в 1970 г.)

Разъемы специального, военного и аэрокосмического назначения:

(Применяются в военной, авиационной, аэрокосмической, морской, железнодорожной, горно- и нефтедобывающей отраслях промышленности)

«FORSTAR» (основан в 1998 г.)

ВЧ соединители, коаксиальные кабели,
кабельные сборки и микроволновые компоненты:

(Применяются в телекоммуникациях гражданского и специального назначения, в средствах связи, РЛС, а так же военной, авиационной и аэрокосмической отраслях промышленности).



Телефон: 8 (812) 309-75-97 (многоканальный)

Факс: 8 (812) 320-03-32

Электронная почта: ocean@oceanchips.ru

Web: <http://oceanchips.ru/>

Адрес: 198099, г. Санкт-Петербург, ул. Калинина, д. 2, корп. 4, лит. А