

Series 70

Characteristics

The Series 70 consists of special short stroke pushbuttons for use with membrane keyboards. It is particularly suited for:

- PCBs

The use of single LEDs ensures that the entire control panel is very well illuminated. The module is offered in six colours and in a round or square design.

Functions

The Series 70 incorporates the following functions:

- Indicator
- Pushbutton
- Illuminated pushbutton

Market segments

The EAO Series 70 is especially suited for applications in the segments:

- Machinery and Automation
- Medicinal technology
- Laboratory and measuring equipment

Please refer to the EAO website to obtain detailed information regarding this series www.products.eao.com
Configure a product to your exact needs and request a quotation.



| | |
|--|------------|
| Overview | |
| PCB pushbuttons | |
| Illumination element | 680 |
| Switching element without illumination | 681 |
| Switching element with illumination | 682 |
| Accessories | 683 |
| Drawings | 687 |
| Technical data | 688 |
| Application guidelines | 690 |

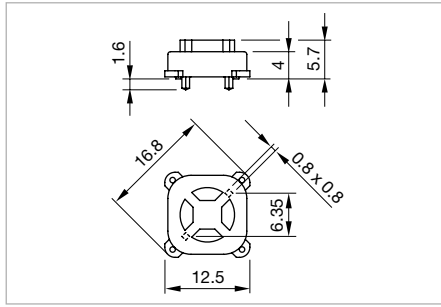
| |
|-----------|
| 01 |
| 02 |
| 03 |
| 04 |
| 10 |
| 14 |
| 17 |
| 18 |
| 19 |
| 22 |
| 31 |
| 41 |
| 44 |
| 51 |
| 56 |
| 57 |
| 61 |
| 70 |
| 71 |
| 82 |
| 84 |
| 92 |
| 95 |
| 96 |
| 97 |
| 99 |
| ST |

70 PCB pushbuttons

Illumination element



Product can differ from the current configuration.



Dimensions

Equipment consisting of (schematic overview)



Lens

page 684



LED






Illumination element

Each Part Number listed below includes all the black components shown in the 3D-drawing.

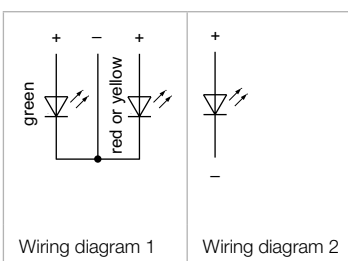
To obtain a complete unit, please select the red components from the pages shown.

Additional Information

- The customer has to decide what series resistor shall be used to the LED
- Dimensions with fitted lens see details «Lens»
- Luminosity and wave length variations caused by LED manufacturing processes may cause slight differences regarding the illumination

| LED colour | Forward voltage typ. | Lumi. intensity | Dom. wavelength | Terminal | Part No. | Component layout | Wiring diagram | Weight |
|---|----------------------|-----------------|------------------|----------|-------------------|------------------|----------------|----------|
|  <p>Illumination element</p> | | | | | | | | |
| Single-LED red | 2.1 VDC @ 20 mA | 200 mcd | 625 nm | PCB | 70-820.2 | 3 | 2 | 0.001 kg |
| Single-LED orange | 2.1 VDC @ 20 mA | 220 mcd | 590 nm | PCB | 70-820.3 | 3 | 2 | 0.001 kg |
| Single-LED yellow | 3.3 VDC @ 30 mA | 500 mcd | 570 nm | PCB | 70-820.4 | 3 | 2 | 0.001 kg |
| Single-LED green | 3.5 VDC @ 20 mA | 250 mcd | 525 nm | PCB | 70-820.5 | 3 | 2 | 0.001 kg |
| Single-LED blue | 3.5 VDC @ 20 mA | 450 mcd | 470 nm | PCB | 70-820.6 | 3 | 2 | 0.001 kg |
| Single-LED white | 3.3 VDC @ 20 mA | 600 mcd | x=0.29/y=0.31 nm | PCB | 70-820.9 | 3 | 2 | 0.001 kg |
|  <p>Illumination element</p> | | | | | | | | |
| Bi-colour red/green | 2.0/3.2 VDC @ 20 mA | 310/800 mcd | 625/528 nm | PCB | 70-820.25 | 3 | 1 | 0.001 kg |
| Bi-colour yellow/green | 2.0/3.2 VDC @ 20 mA | 350/750 mcd | 591/528 nm | PCB | 70-820.45 | 3 | 1 | 0.001 kg |
|  <p>Illumination element</p> | | | | | | | | |
| without LED | | | | PCB | 92-800.042 | 1 | | 0.001 kg |

The component layouts you will find from page 687



Switching element without illumination

Equipment consisting of (schematic overview)



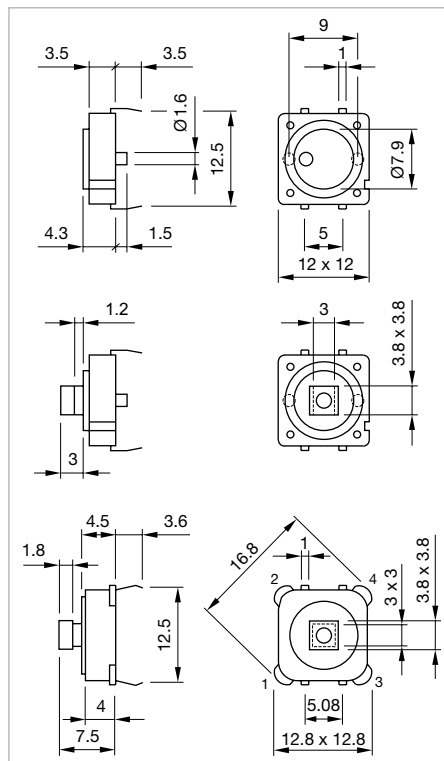
Spacing cap [page 685](#)



Switching element

Each Part Number listed below includes all the black components shown in the 3D-drawing.

To obtain a complete unit, please select the red components from the pages shown.



Dimensions



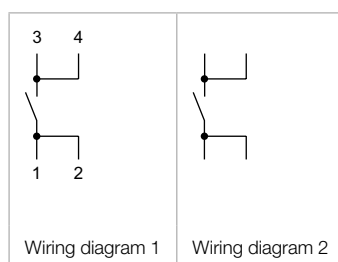
Product can differ from the current configuration.

Additional Information

- Contact normally open
- Switching action momentary
- Dimensions with fitted spacing cap see details «Spacing cap»

| Product attribute | Contact material | Terminal | Part No. | Component layout | Wiring diagram | Weight |
|--|------------------|----------|-----------------|------------------|----------------|----------|
|  <p>Switching element without illumination</p> | | | | | | |
| without spacing cap | Silver | PCB | 70-100.0 | 2 | 2 | 0.001 kg |
|  <p>Switching element without illumination</p> | | | | | | |
| with spacing cap | Silver | PCB | 70-101.0 | 2 | 2 | 0.001 kg |
|  <p>Switching element without illumination</p> | | | | | | |
| with spacing cap | Gold | PCB | 70-201.0 | 1 | 1 | 0.001 kg |

The component layouts you will find from page 687

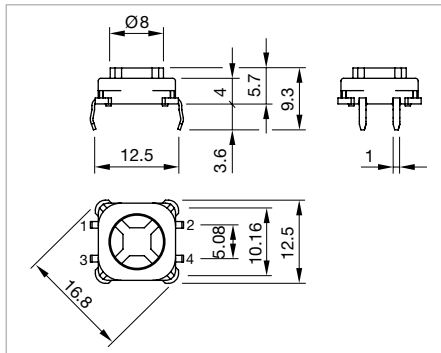


70 PCB pushbuttons

Switching element with illumination



Product can differ from the current configuration.



Dimensions

Equipment consisting of (schematic overview)



Lens

page 684



LED



Switching element

Each Part Number listed below includes all the black components shown in the 3D-drawing.

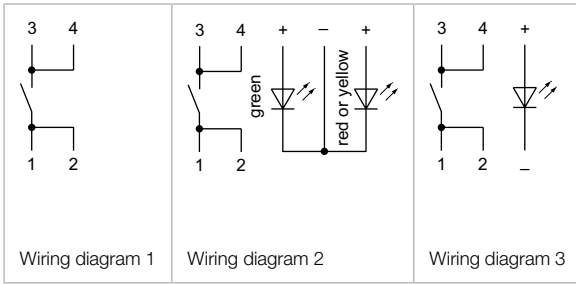
To obtain a complete unit, please select the red components from the pages shown.

Additional Information

- Contact normally open
- Switching action momentary
- The customer has to decide what series resistor shall be used to the LED
- Luminosity and wave length variations caused by LED manufacturing processes may cause slight differences regarding the illumination
- Dimensions with fitted lens see details «Lens»

| LED colour | Forward voltage typ. | Contact material | Lumi. intensity | Dom. wavelength | Terminal | Part No. | Component layout | Wiring diagram | Weight |
|--|----------------------|------------------|-----------------|------------------|----------|-------------------|------------------|----------------|----------|
| <h3>Switching element with illumination</h3> | | | | | | | | | |
| Single-LED red | 2.1 VDC @ 20 mA | Gold | 200 mcd | 625 nm | PCB | 70-220.2 | 4 | 3 | 0.001 kg |
| Single-LED orange | 2.1 VDC @ 20 mA | Gold | 220 mcd | 590 nm | PCB | 70-220.3 | 4 | 3 | 0.001 kg |
| Single-LED yellow | 3.3 VDC @ 20 mA | Gold | 500 mcd | 570 nm | PCB | 70-220.4 | 4 | 3 | 0.001 kg |
| Single-LED green | 3.5 VDC @ 20 mA | Gold | 250 mcd | 525 nm | PCB | 70-220.5 | 4 | 3 | 0.001 kg |
| Single-LED blue | 3.5 VDC @ 20 mA | Gold | 450 mcd | 470 nm | PCB | 70-220.6 | 4 | 3 | 0.001 kg |
| Single-LED white | 3.3 VDC @ 20 mA | Gold | 600 mcd | x=0.29/y=0.31 nm | PCB | 70-220.9 | 4 | 3 | 0.001 kg |
| <h3>Switching element with illumination</h3> | | | | | | | | | |
| Bi-colour LED red/green | 2.0/3.2 VDC @ 20 mA | Gold | 310/800 mcd | 625/528 nm | PCB | 70-220.25 | 4 | 2 | 0.001 kg |
| Bi-colour LED yellow/green | 2.0/3.2 VDC @ 20 mA | Gold | 350/750 mcd | 591/528 nm | PCB | 70-220.45 | 4 | 2 | 0.001 kg |
| <h3>Switching element with illumination</h3> | | | | | | | | | |
| without LED | | Gold | | | PCB | 92-851.342 | 4 | 1 | 0.001 kg |

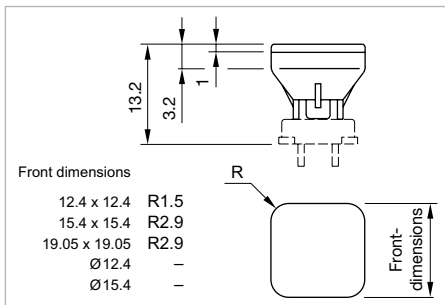
The component layouts you will find from page 687







- 01
- 02
- 03
- 04
- 10
- 14
- 17
- 18
- 19
- 22
- 31
- 41
- 44
- 51
- 56
- 57
- 61
- 70**
- 71
- 82
- 84
- 92
- 95
- 96
- 97
- 99
- ST

Front


Lens



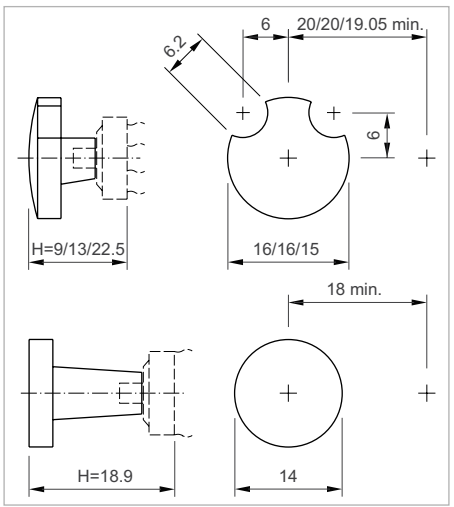
Dimensions

| Lens | Part No. | Weight |
|--|-----------------|----------|
|  <p>Lens, Front dimension 19.05 x 19.05 mm</p> | | |
| Plastic white translucent | 70-920.9 | 0.001 kg |
|  <p>Lens, Front dimension 15.4 x 15.4 mm</p> | | |
| Plastic red translucent | 70-921.2 | 0.001 kg |
| Plastic orange translucent | 70-921.3 | 0.001 kg |
| Plastic yellow translucent | 70-921.4 | 0.001 kg |
| Plastic green translucent | 70-921.5 | 0.001 kg |
| Plastic blue translucent | 70-921.6 | 0.001 kg |
| Plastic white translucent | 70-921.9 | 0.001 kg |
|  <p>Lens, Front dimension 12.4 x 12.4 mm</p> | | |
| Plastic red translucent | 70-922.2 | 0.001 kg |
| Plastic orange translucent | 70-922.3 | 0.001 kg |
| Plastic yellow translucent | 70-922.4 | 0.001 kg |
| Plastic green translucent | 70-922.5 | 0.001 kg |
| Plastic blue translucent | 70-922.6 | 0.001 kg |
| Plastic white translucent | 70-922.9 | 0.001 kg |
|  <p>Lens, Front dimension Ø 15.4 mm</p> | | |
| Plastic red translucent | 70-911.2 | 0.001 kg |
| Plastic orange translucent | 70-911.3 | 0.001 kg |
| Plastic yellow translucent | 70-911.4 | 0.001 kg |
| Plastic green translucent | 70-911.5 | 0.001 kg |
| Kunststoff weiss translucent | 70-911.9 | 0.001 kg |


01
02
03
04
10
14
17
18
19
22
31
41
44
51
56
57
61
70
71
82
84
92
95
96
97
99
ST

| Lens | Part No. | Weight |
|--|-----------------|----------|
|  Lens, Front dimension Ø 12.4 mm | | |
| Plastic red translucent | 70-912.2 | 0.001 kg |
| Plastic orange translucent | 70-912.3 | 0.001 kg |
| Plastic yellow translucent | 70-912.4 | 0.001 kg |
| Plastic green translucent | 70-912.5 | 0.001 kg |
| Plastic white translucent | 70-912.9 | 0.001 kg |

Spacing cap



Dimensions


| Product attribute | Part No. | Weight |
|--|-----------------|----------|
|  Spacing cap | | |
| without recesses for LED, H = 18.9 mm | 70-901.0 | 0.001 kg |
| 2 recesses for LED, H = 9 mm | 70-910.0 | 0.001 kg |
| 2 recesses for LED, H = 13 mm | 70-911.0 | 0.001 kg |
| 2 recesses for LED, H = 22.5 mm | 70-912.0 | 0.001 kg |

Illumination

Single-LED, T1 Bi-Pin

Additional Information


- The customer has to decide what series resistor shall be used to the LED
- Luminosity and wave length variations caused by LED manufacturing processes may cause slight differences regarding the illumination

| LED colour | Forward voltage typ. | Lumi. intensity | Dom. wavelength | Part No. | Weight |
|---|----------------------|-----------------|------------------|----------------------|----------|
|  <p>Single-LED</p> | | | | | |
| Single-LED red | 2.1 VDC @ 20 mA | 200 mcd | 625 nm | 10-2602.3202L | 0.001 kg |
| Single-LED orange | 2.1 VDC @ 20 mA | 220 mcd | 590 nm | 10-2602.3203L | 0.001 kg |
| Single-LED yellow | 3.3 VDC @ 20 mA | 500 mcd | 570 nm | 10-2602.3204L | 0.001 kg |
| Single-LED green | 3.5 VDC @ 20 mA | 250 mcd | 525 nm | 10-2602.3205L | 0.001 kg |
| Single-LED blue | 3.5 VDC @ 20 mA | 450 mcd | 470 nm | 10-2602.3206L | 0.001 kg |
| Single-LED white | 3.3 VDC @ 20 mA | 600 mcd | x=0.29/y=0.31 nm | 10-2602.3209L | 0.001 kg |

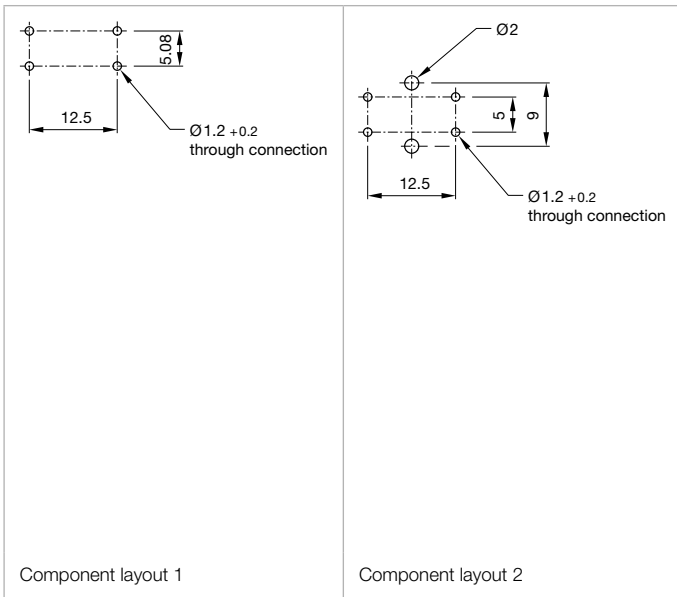
Bi-colour-LED, T1 Bi-Pin

Additional Information

- The customer has to decide what series resistor shall be used to the LED
- Luminosity and wave length variations caused by LED manufacturing processes may cause slight differences regarding the illumination

| LED colour | Forward voltage typ. | Lumi. intensity | Dom. wavelength | Part No. | Weight |
|--|----------------------|-----------------|-----------------|----------------------|----------|
|  <p>Bi-colour-LED</p> | | | | | |
| Bi-colour LED red/green | 2.0/3.2 VDC @ 20 mA | 310/800 mcd | 625/528 nm | 10-2603.308AL | 0.001 kg |
| Bi-colour LED yellow/green | 2.0/3.2 VDC @ 20 mA | 350/750 mcd | 591/528 nm | 10-2603.308CL | 0.001 kg |

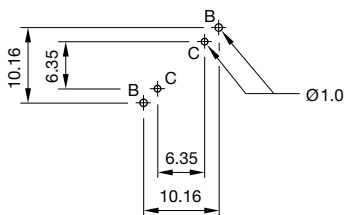
Drawings



Single-LED

Drilling plan (element side)

- B Holes for LED
- C Holes for centering pins

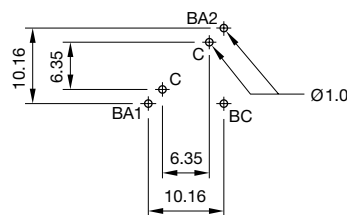


Component layout 3

Bi-colour-LED

Drilling plan (element side)

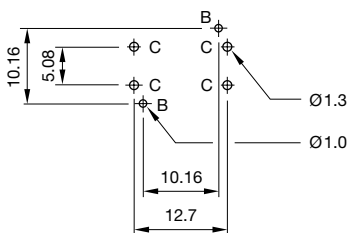
- B Holes for Bi-colour LED:
BA1 (green) + BA2 (yellow or red) = Anodes, BC = Cathode
- C Holes for centering pins



Single-LED

Drilling plan (element side)

- B Holes for LED
- C Holes for contact pins
- Pad max. $\text{Ø}2.5$ mm
- Through-connection recommended

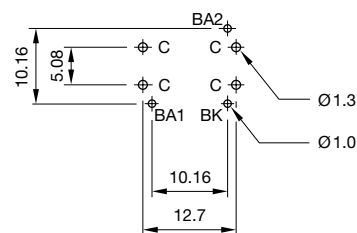


Component layout 4

Bi-colour-LED

Drilling plan (element side)

- B Holes for Bi-colour-LED:
BA1 (green) + BA2 (yellow or red) = Anodes, BK = Cathode
- C Holes for contact pins
- Pad max. $\text{Ø}2.5$ mm
- Through-connection recommended



70 Technical data

Switching element illuminated

Switching system

Short-travel switching system with two independent contact points and tactile operation. Guarantees reliable switching even of very light loads.
1 normally open contact

Material

Material of contact

Gold (Au)

Switching element

Thermoplastic Polyester (PET, PBT) and Polyacetale (POM)

Mechanical characteristics

Actuating force

with overlay foil 4 N \pm 1,5 N
Max. actuating force > 50 N, as per DIN 42115

Actuating travel

0.4 mm

Rebound time

\leq 1 ms

Resistance to heat of soldering

260 °C, 5 s, as per IEC 60068-2-20

Mechanical lifetime

> 5 million operations

Electrical characteristics

Contact resistance

Starting value (initial) \leq 100 m Ω , as per IEC 60512-2-2b

Isolation resistance

\geq 1000 M Ω

Contact resistance

\leq 100 m Ω

as per 500 000 cycles of operation at 12 VDC, 5 mA resistive load \leq 200 m Ω

Electrical life

\geq 500 000 operations at 42 VDC, 50 mA, as per IEC 60512-5-9c
When attention is paid to the direction of current flow from terminal 3/4 to 1/2 the electrical life can be prolonged.

Switch rating

max. 2 VA (resistive load)

Switch rating

| | | |
|---------------------------|-----------------|-------------|
| Switching voltage VDC/VAC | min. 50 mV | max. 42 V |
| Switching current VDC/VAC | min. 10 μ A | max. 100 mA |
| Power rating | max. 2 W | |

Electric strength

500 VAC, 50 Hz, 1 min, as per IEC 60512-2-4a

Environmental conditions

Storage temperature

-40 °C ... +85 °C

Operating temperature

-25 °C ... +70 °C

Switching element non-illuminated Part No. 70-100.0 and 70-101.0

Switching system

Short-travel switching system with two independent contact points and tactile operation. Guarantees reliable switching even of very light loads.
1 normally open contact

Material

Material of contact

Silver (Ag)

Mechanical characteristics

Actuating force

with overlay foil 5 N \pm 2 N
Max. actuating force >50 N, as per DIN 42115

Actuating travel

0.3 mm

Rebound time

\leq 5ms

Mechanical lifetime

> 1 million operations

Electrical characteristics

Isolation resistance

≥ 50 MΩ

Contact resistance

≤ 100 mΩ

as per 500 000 cycles of operation at 12 VDC, 5 mA resistive load ≤ 200 mΩ

Electrical life

at 5 VDC, 1 mA > 1 million operations

at 24 VDC, 1 mA > 100 000 operations

Switch rating

≤ 1 VA (resistive load)

Switch rating

≤ 24 VDC, ≤ 50 mA

Electric strength

250 VAC for 1 min.

Environmental conditions

Storage temperature

-30 °C ... +85 °C

Operating temperature

-20 °C ... +70 °C

Switching element non-illuminated Part No. 70-201.0

Switching system

Short-travel switching system with two independent contact points and tactile operation. Guarantees reliable switching even of very light loads.

1 normally open contact

Material

Material of contact

Gold (Au)

Switching element

Thermoplastic Polyester (PET, PBT) and Polyacetale (POM)

Mechanical characteristics

Actuating force

with overlay foil 2.1 N ±0.2 N

Max. actuating force > 50 N, as per DIN 42115

Actuating travel

max. 0.5 mm

Rebound time

≤ 1 ms

Resistance to heat of soldering

260 °C, 5 s, as per IEC 60068-2-20

Mechanical lifetime

> 5 million operations

Front protection

front with overlay foil IP 65

Electrical characteristics

Contact resistance

Starting value (initial) ≤ 100 mΩ, as per IEC 60512-2-2b

Isolation resistance

≥ 1000 MΩ

Contact resistance

≤ 100 mΩ

as per 500 000 cycles of operation at 12 VDC, 5 mA resistive load ≤ 200 mΩ

Electrical life

≥ 500 000 operations at 42 VDC, 50 mA, as per IEC 60512-5-9c

When attention is paid to the direction of current flow from terminal ¾ to ½ the electrical life can be prolonged.

Switch rating

max. 42 V, 50 mA

min. 50 mV, 10 µA

Switch rating

| | | |
|---------------------------|------------|-----------|
| Switching voltage VDC/VAC | min. 50 mV | max. 42 V |
|---------------------------|------------|-----------|

| | | |
|---------------------------|------------|-------------|
| Switching current VDC/VAC | min. 10 mA | max. 100 mA |
|---------------------------|------------|-------------|

| | |
|---------------|----------|
| Switch rating | max. 2 W |
|---------------|----------|

Electric strength

500 VAC, 50 Hz, 1 min, as per IEC 60512-2-4a

Environmental conditions

Storage temperature

-40 °C ... +85 °C

Operating temperature

-25 °C ... +70 °C

EAO reserves the right to alter specifications without further notice.

70 Application guidelines

Suppressor circuits

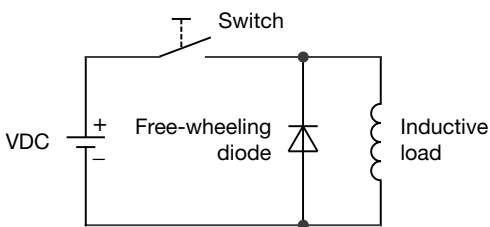
When switching inductive loads such as relays, DC motors, and DC solenoids, it is always important to absorb surges (e.g. with a diode) to protect the contacts. When these inductive loads are switched off, a counter emf can severely damage switch contacts and greatly shorten lifetime.

Fig. 1 shows an inductive load with a free-wheeling diode connected in parallel. This free-wheeling diode provides a path for the inductor current to flow when the current is interrupted by the switch. Without this free-wheeling diode, the voltage across the coil will be limited only by dielectric breakdown voltages of the circuit or parasitic elements of the coil. This voltage can be kilovolts in amplitude even when nominal circuit voltages are low (e.g. 12VDC) see Fig. 2.

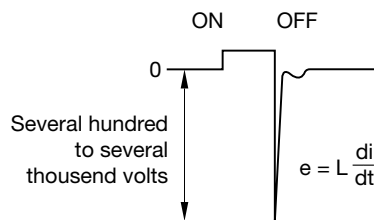
The free-wheeling diode should be chosen so that the reverse breakdown voltage is greater than the voltage driving the inductive load. The DC blocking voltage (VR) of the free-wheeling diode can be found in the datasheet of a diode. The forward current should be equal or greater than the maximum current flowing through the load.

To get an efficient protection, the free-wheeling diode must be connected as close as possible to the inductive load!

Switching with inductive load
Fig. 1



Counter EMF
over load without free-wheeling diode
Fig. 2



Компания «Океан Электроники» предлагает заключение долгосрочных отношений при поставках импортных электронных компонентов на взаимовыгодных условиях!

Наши преимущества:

- Поставка оригинальных импортных электронных компонентов напрямую с производств Америки, Европы и Азии, а так же с крупнейших складов мира;
- Широкая линейка поставок активных и пассивных импортных электронных компонентов (более 30 млн. наименований);
- Поставка сложных, дефицитных, либо снятых с производства позиций;
- Оперативные сроки поставки под заказ (от 5 рабочих дней);
- Экспресс доставка в любую точку России;
- Помощь Конструкторского Отдела и консультации квалифицированных инженеров;
- Техническая поддержка проекта, помощь в подборе аналогов, поставка прототипов;
- Поставка электронных компонентов под контролем ВП;
- Система менеджмента качества сертифицирована по Международному стандарту ISO 9001;
- При необходимости вся продукция военного и аэрокосмического назначения проходит испытания и сертификацию в лаборатории (по согласованию с заказчиком);
- Поставка специализированных компонентов военного и аэрокосмического уровня качества (Xilinx, Altera, Analog Devices, Intersil, Interpoint, Microsemi, Actel, Aeroflex, Peregrine, VPT, Syfer, Eurofarad, Texas Instruments, MS Kennedy, Miteq, Cobham, E2V, MA-COM, Hittite, Mini-Circuits, General Dynamics и др.);

Компания «Океан Электроники» является официальным дистрибьютором и эксклюзивным представителем в России одного из крупнейших производителей разъемов военного и аэрокосмического назначения «JONHON», а так же официальным дистрибьютором и эксклюзивным представителем в России производителя высокотехнологичных и надежных решений для передачи СВЧ сигналов «FORSTAR».



JONHON

«JONHON» (основан в 1970 г.)

Разъемы специального, военного и аэрокосмического назначения:

(Применяются в военной, авиационной, аэрокосмической, морской, железнодорожной, горно- и нефтедобывающей отраслях промышленности)

«FORSTAR» (основан в 1998 г.)

ВЧ соединители, коаксиальные кабели,
кабельные сборки и микроволновые компоненты:

(Применяются в телекоммуникациях гражданского и специального назначения, в средствах связи, РЛС, а так же военной, авиационной и аэрокосмической отраслях промышленности).



Телефон: 8 (812) 309-75-97 (многоканальный)

Факс: 8 (812) 320-03-32

Электронная почта: ocean@oceanchips.ru

Web: <http://oceanchips.ru/>

Адрес: 198099, г. Санкт-Петербург, ул. Калинина, д. 2, корп. 4, лит. А