

Features

- High resistance to heat and humidity
- Resistance to mechanical shock and pressure
- Accurate dimensions for automatic surface mounting
- Wide inductance range (1.0 nH to 1000 μH)
- RoHS compliant*

Applications

- Mobile phones
- Cellular phones
- CTV, VCR, HIC, FDD

CM45, CM32, CM25, CM20, CM16, CM10 SMT Chip Inductors

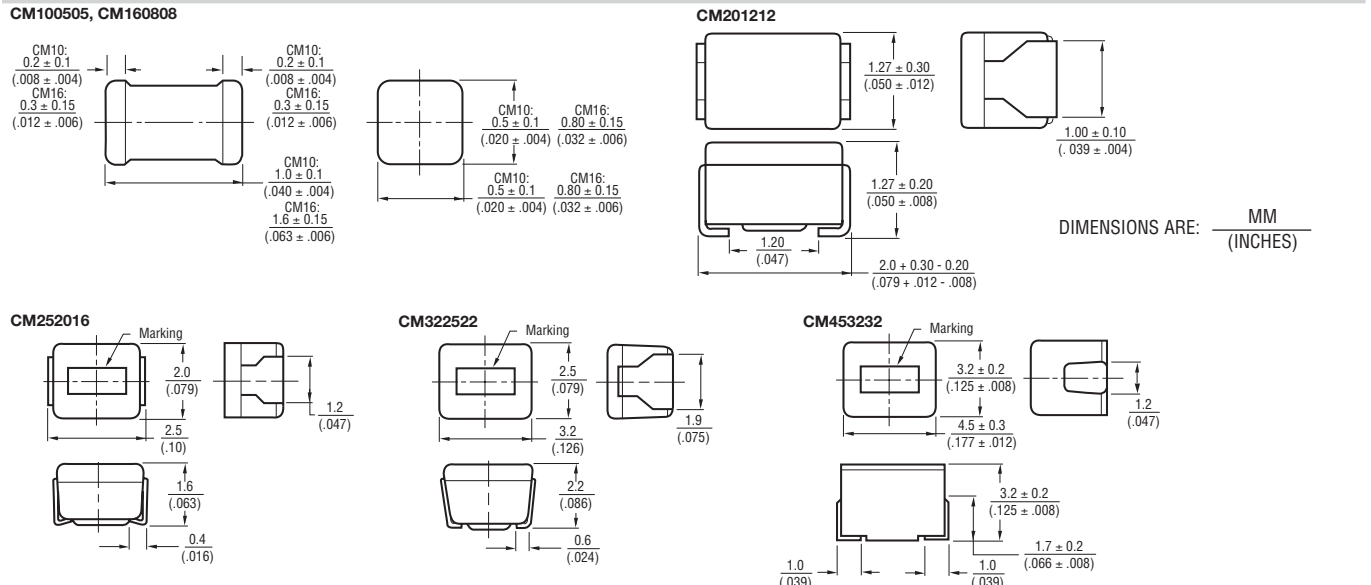
General Specifications

| | |
|------------------------------------|------------------------|
| Temperature Rise |20 °C max. |
| Ambient Temperature | 80 °C max. |
| Operating Temperature | |
| CM10, CM16, CM20, CM25, CM32 |-40 °C to +100 °C |
| CM45 |-40 °C to +125 °C |
| Storage Temperature | |
| CM10, CM16, CM20, CM25, CM32 |-40 °C to +100 °C |
| CM45 |-40 °C to +125 °C |
| Resistance to Soldering Heat |260 °C, 5 seconds |

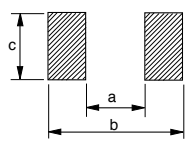
Materials

| | |
|--|-------------------------------|
| Core Material | |
| CM10, CM16 |Alumina Ceramic |
| CM20 |Polymer 10 nH to 1000 nH |
| CM25 |Polymer 10 nH to 180 nH |
| CM32 |Polymer 47 nH to 180 nH |
| Ferrite Core | |
| CM25 |220 nH to 100 μH |
| CM32 |220 nH + |
| CM45 |All |
| Coil Type | |
| CM10, CM16 |Copper plating |
| CM20, CM25, CM32, CM45 |Copper wire |
| Enclosure | |
| CM10, CM16 |Resin |
| CM20, CM25, CM32, CM45 |Epoxy resin |
| Terminal | |
| CM10, CM16, CM20, CM25, CM32, CM45 |Sn |

Product Dimensions



Recommended Land Pattern Dimensions



| Model | a | b | c |
|-------|---------------------------|---------------------------|---------------------------|
| CM10 | 0.5 to 0.6 (.019 to .023) | 1.5 to 1.7 (.059 to .067) | 0.5 to 0.6 (.019 to .023) |
| CM16 | 0.8 to 1.0 (.032 to .039) | 2.0 to 2.6 (.079 to .102) | 0.7 to 0.9 (.028 to .035) |
| CM20 | 1.0 to 1.2 (.039 to .047) | 3.0 to 3.8 (.118 to .150) | 0.9 to 1.3 (.028 to .051) |
| CM25 | 1.4 to 1.5 (.055 to .059) | 3.5 to 4.0 (.138 to .157) | 1.2 to 1.6 (.047 to .063) |
| CM32 | 1.6 to 2.0 (.063 to .079) | 4.0 to 4.6 (.157 to .181) | 1.9 to 2.4 (.075 to .094) |
| CM45 | 2.4 to 2.6 (.094 to .102) | 5.5 to 6.0 (.217 to .236) | 2.0 to 3.0 (.079 to .118) |

*RoHS Directive 2002/95/EC Jan 27, 2003 including Annex. Specifications are subject to change without notice. Customers should verify actual device performance in their specific applications.

CM45, CM32, CM25, CM20, CM16, CM10 SMT Chip Inductors

BOURNS®

Packaging Specifications

CM10



CM16, CM20, CM25, CM32



CM45



| Model | A | B | W | F | E | P1 | P2 | P3 | D0 Dia. | D1 Dia. | t1 | t2 |
|-------|-------------|-------------|--------------|-------------|-------------|-------------|-------------|-------------|-------------|-------------|-------------|-------------|
| CM10 | 0.71 (.027) | 1.21 (.047) | 8.00 (.315) | 3.50 (.138) | 1.75 (.069) | 4.00 (.157) | 2.00 (.079) | 4.00 (.157) | 1.50 (.059) | — | — | 0.66 (.026) |
| CM16 | 1.00 (.039) | 1.80 (.071) | 8.00 (.315) | 3.50 (.138) | 1.75 (.069) | 4.00 (.157) | 2.00 (.079) | 4.00 (.157) | 1.50 (.059) | 0.60 (.024) | 0.27 (.011) | 1.20 (.047) |
| CM20 | 1.45 (.057) | 2.25 (.089) | 8.00 (.315) | 3.50 (.138) | 1.75 (.069) | 4.00 (.157) | 2.00 (.079) | 4.00 (.157) | 1.50 (.059) | 1.00 (.039) | 0.25 (.010) | 1.55 (.061) |
| CM25 | 2.40 (.094) | 2.90 (.114) | 8.00 (.315) | 3.50 (.138) | 1.75 (.069) | 4.00 (.157) | 2.00 (.079) | 4.00 (.157) | 1.50 (.059) | 1.10 (.043) | 0.25 (.010) | 1.85 (.073) |
| CM32 | 2.80 (.110) | 3.60 (.142) | 8.00 (.315) | 3.50 (.138) | 1.75 (.069) | 4.00 (.157) | 2.00 (.079) | 4.00 (.157) | 1.50 (.059) | — | 0.25 (.010) | 2.40 (.094) |
| CM45 | 3.60 (.142) | 4.90 (.193) | 12.00 (.472) | 5.50 (.217) | 1.75 (.069) | 8.00 (.315) | 2.00 (.079) | 4.00 (.157) | 1.50 (.059) | — | 0.30 (.012) | 3.50 (.138) |

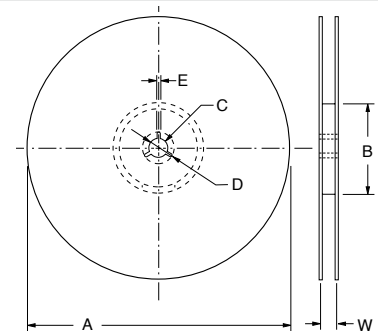
Reel Dimensions

| Model | A | B | C | D | E | W |
|-------------|-------------|---------|-----------|-----------|----------|-----------|
| CM10 ~ CM32 | 178 (7.008) | 60 min. | 13 (.512) | 21 (.827) | 2 (.079) | 9 (.354) |
| CM45 | 178 (7.008) | 60 min. | 13 (.512) | 21 (.827) | 2 (.079) | 13 (.512) |

Packaging

| Model | Quantity | Weight |
|-------|-----------|--------|
| CM10 | 10000 pcs | 150 g |
| CM16 | 3000 pcs | 90 g |
| CM20 | 3000 pcs | 90 g |

| Model | Quantity | Weight |
|-------|----------|--------|
| CM25 | 2000 pcs | 100 g |
| CM32 | 2000 pcs | 190 g |
| CM45 | 500 pcs | 100 g |



Soldering Profiles

CM16, CM10



CM45, CM32, CM25, CM20



Chip Inductors - CM453232 Series Wirewound

BOURNS®

| RoHS Compliant 1812 Size Part Number | Inductance μH | Std. Tolerance | Std. Tol. Code | 1/2 Tolerance | 1/2 Tol. Code | Q min. | Test Freq. MHz | SRF min. MHz | RDC ohm max | IDC mA max |
|--|------------------|-------------------|-------------------|------------------|------------------|-----------|-------------------|-----------------|----------------|---------------|
| CM453232-R10<1>L | 0.10 | ±20 % | M | ±10 % | K | 35 | 25.2 | 300 | 0.18 | 800 |
| CM453232-R12<1>L | 0.12 | ±20 % | M | ±10 % | K | 35 | 25.2 | 280 | 0.2 | 770 |
| CM453232-R15<1>L | 0.15 | ±20 % | M | ±10 % | K | 35 | 25.2 | 250 | 0.22 | 730 |
| CM453232-R18<1>L | 0.18 | ±20 % | M | ±10 % | K | 35 | 25.2 | 220 | 0.24 | 700 |
| CM453232-R22<1>L | 0.22 | ±20 % | M | ±10 % | K | 40 | 25.2 | 200 | 0.25 | 665 |
| CM453232-R27<1>L | 0.27 | ±20 % | M | ±10 % | K | 40 | 25.2 | 180 | 0.26 | 635 |
| CM453232-R33<1>L | 0.33 | ±20 % | M | ±10 % | K | 40 | 25.2 | 165 | 0.28 | 605 |
| CM453232-R39<1>L | 0.39 | ±20 % | M | ±10 % | K | 40 | 25.2 | 150 | 0.30 | 575 |
| CM453232-R47<1>L | 0.47 | ±20 % | M | ±10 % | K | 40 | 25.2 | 145 | 0.32 | 545 |
| CM453232-R56<1>L | 0.56 | ±20 % | M | ±10 % | K | 40 | 25.2 | 140 | 0.36 | 520 |
| CM453232-R68<1>L | 0.68 | ±20 % | M | ±10 % | K | 40 | 25.2 | 135 | 0.40 | 500 |
| CM453232-R82<1>L | 0.82 | ±20 % | M | ±10 % | K | 40 | 25.2 | 130 | 0.45 | 475 |
| CM453232-1R0<1>L | 1.0 | ±10 % | K | ±5 % | J | 50 | 7.96 | 100 | 0.50 | 450 |
| CM453232-1R2<1>L | 1.2 | ±10 % | K | ±5 % | J | 50 | 7.96 | 80 | 0.55 | 430 |
| CM453232-1R5<1>L | 1.5 | ±10 % | K | ±5 % | J | 50 | 7.96 | 70 | 0.60 | 410 |
| CM453232-1R8<1>L | 1.8 | ±10 % | K | ±5 % | J | 50 | 7.96 | 60 | 0.65 | 390 |
| CM453232-2R2<1>L | 2.2 | ±10 % | K | ±5 % | J | 50 | 7.96 | 55 | 0.70 | 380 |
| CM453232-2R7<1>L | 2.7 | ±10 % | K | ±5 % | J | 50 | 7.96 | 50 | 0.75 | 370 |
| CM453232-3R3<1>L | 3.3 | ±10 % | K | ±5 % | J | 50 | 7.96 | 45 | 0.80 | 355 |
| CM453232-3R9<1>L | 3.9 | ±10 % | K | ±5 % | J | 50 | 7.96 | 40 | 0.90 | 330 |
| CM453232-4R7<1>L | 4.7 | ±10 % | K | ±5 % | J | 50 | 7.96 | 35 | 1.00 | 315 |
| CM453232-5R6<1>L | 5.6 | ±10 % | K | ±5 % | J | 50 | 7.96 | 33 | 1.10 | 300 |
| CM453232-6R8<1>L | 6.8 | ±10 % | K | ±5 % | J | 50 | 7.96 | 27 | 1.2 | 285 |
| CM453232-8R2<1>L | 8.2 | ±10 % | K | ±5 % | J | 50 | 7.96 | 25 | 1.4 | 270 |
| CM453232-100<1>L | 10 | ±10 % | K | ±5 % | J | 50 | 2.52 | 20 | 1.6 | 250 |
| CM453232-120<1>L | 12 | ±10 % | K | ±5 % | J | 50 | 2.52 | 18 | 2 | 225 |
| CM453232-150<1>L | 15 | ±10 % | K | ±5 % | J | 50 | 2.52 | 17 | 2.5 | 200 |
| CM453232-180<1>L | 18 | ±10 % | K | ±5 % | J | 50 | 2.52 | 15 | 2.8 | 190 |
| CM453232-220<1>L | 22 | ±10 % | K | ±5 % | J | 50 | 2.52 | 13 | 3.2 | 180 |
| CM453232-270<1>L | 27 | ±10 % | K | ±5 % | J | 50 | 2.52 | 12 | 3.6 | 170 |
| CM453232-330<1>L | 33 | ±10 % | K | ±5 % | J | 50 | 2.52 | 11 | 4 | 160 |
| CM453232-390<1>L | 39 | ±10 % | K | ±5 % | J | 50 | 2.52 | 10 | 4.5 | 150 |
| CM453232-470<1>L | 47 | ±10 % | K | ±5 % | J | 50 | 2.52 | 10 | 5 | 140 |
| CM453232-560<1>L | 56 | ±10 % | K | ±5 % | J | 50 | 2.52 | 9 | 5.5 | 135 |
| CM453232-680<1>L | 68 | ±10 % | K | ±5 % | J | 50 | 2.52 | 9 | 6 | 130 |
| CM453232-820<1>L | 82 | ±10 % | K | ±5 % | J | 50 | 2.52 | 8 | 7 | 120 |
| CM453232-101<1>L | 100 | ±10 % | K | ±5 % | J | 40 | 2.52 | 8 | 8 | 110 |
| CM453232-121<1>L | 120 | ±10 % | K | ±5 % | J | 40 | 0.796 | 6 | 8 | 110 |
| CM453232-151<1>L | 150 | ±10 % | K | ±5 % | J | 40 | 0.796 | 5 | 9 | 105 |
| CM453232-181<1>L | 180 | ±10 % | K | ±5 % | J | 40 | 0.796 | 5 | 9.5 | 102 |
| CM453232-221<1>L | 220 | ±10 % | K | ±5 % | J | 40 | 0.796 | 4 | 10 | 100 |
| CM453232-271<1>L | 270 | ±10 % | K | ±5 % | J | 40 | 0.796 | 4 | 12 | 92 |
| CM453232-331<1>L | 330 | ±10 % | K | ±5 % | J | 40 | 0.796 | 3.5 | 14 | 85 |
| CM453232-391<1>L | 390 | ±10 % | K | ±5 % | J | 40 | 0.796 | 3 | 18 | 80 |
| CM453232-471<1>L | 470 | ±10 % | K | ±5 % | J | 40 | 0.796 | 3 | 26 | 62 |
| CM453232-561<1>L | 560 | ±10 % | K | ±5 % | J | 30 | 0.796 | 3 | 30 | 50 |
| CM453232-681<1>L | 680 | ±10 % | K | ±5 % | J | 30 | 0.796 | 3 | 30 | 50 |
| CM453232-821<1>L | 820 | ±10 % | K | ±5 % | J | 30 | 0.796 | 2.5 | 35 | 30 |
| CM453232-102<1>L | 1000 | ±10 % | K | ±5 % | J | 30 | 0.252 | 2.5 | 40 | 30 |

<1> Enter tolerance code from standard or 1/2 tolerance column. Example: CM453232-1R2KL is standard tolerance; CM453232-1R2JL is 1/2 tolerance.

Specifications are subject to change without notice.
Customers should verify actual device performance in their specific applications.

Chip Inductors - CM322522 Series Wirewound

BOURNS®

| RoHS Compliant 1210 Size Part Number | Inductance μH | Std. Tolerance | Std. Tol. Code | 1/2 Tolerance | 1/2 Tol. Code | Q min. | Test Freq. MHz | SRF min. MHz | RDC ohm max | IDC mA max |
|--|------------------|-------------------|-------------------|------------------|------------------|-----------|-------------------|-----------------|----------------|---------------|
| CM322522-47NML | 0.047 | ±20 % | M | N/A | N/A | 10 | 100 | 680 | 0.20 | 450 |
| CM322522-56NML | 0.056 | ±20 % | M | N/A | N/A | 10 | 100 | 600 | 0.22 | 420 |
| CM322522-68NML | 0.068 | ±20 % | M | N/A | N/A | 10 | 100 | 540 | 0.25 | 400 |
| CM322522-82NML | 0.082 | ±20 % | M | N/A | N/A | 10 | 100 | 500 | 0.27 | 380 |
| CM322522-R10ML | 0.10 | ±20 % | M | N/A | N/A | 10 | 100 | 450 | 0.30 | 360 |
| CM322522-R12ML | 0.12 | ±20 % | M | N/A | N/A | 10 | 25.2 | 400 | 0.67 | 240 |
| CM322522-R15ML | 0.15 | ±20 % | M | N/A | N/A | 10 | 25.2 | 350 | 0.72 | 230 |
| CM322522-R18ML | 0.18 | ±20 % | M | N/A | N/A | 10 | 25.2 | 320 | 0.81 | 220 |
| CM322522-R22<1>L | 0.22 | ±20 % | M | ±10 % | K | 25 | 25.2 | 230 | 0.29 | 360 |
| CM322522-R27<1>L | 0.27 | ±20 % | M | ±10 % | K | 25 | 25.2 | 210 | 0.32 | 345 |
| CM322522-R33<1>L | 0.33 | ±20 % | M | ±10 % | K | 25 | 25.2 | 190 | 0.35 | 330 |
| CM322522-R39<1>L | 0.39 | ±20 % | M | ±10 % | K | 25 | 25.2 | 175 | 0.39 | 305 |
| CM322522-R47<1>L | 0.47 | ±20 % | M | ±10 % | K | 25 | 25.2 | 160 | 0.44 | 290 |
| CM322522-R56<1>L | 0.56 | ±20 % | M | ±10 % | K | 25 | 25.2 | 150 | 0.49 | 275 |
| CM322522-R68<1>L | 0.68 | ±20 % | M | ±10 % | K | 25 | 25.2 | 135 | 0.55 | 260 |
| CM322522-R82<1>L | 0.82 | ±20 % | M | ±10 % | K | 25 | 25.2 | 125 | 0.61 | 245 |
| CM322522-1R0<1>L | 1.0 | ±10 % | K | ±5 % | J | 30 | 7.96 | 115 | 0.69 | 230 |
| CM322522-1R2<1>L | 1.2 | ±10 % | K | ±5 % | J | 30 | 7.96 | 100 | 0.75 | 215 |
| CM322522-1R5<1>L | 1.5 | ±10 % | K | ±5 % | J | 30 | 7.96 | 90 | 0.75 | 210 |
| CM322522-1R8<1>L | 1.8 | ±10 % | K | ±5 % | J | 30 | 7.96 | 85 | 0.82 | 200 |
| CM322522-2R2<1>L | 2.2 | ±10 % | K | ±5 % | J | 30 | 7.96 | 80 | 0.95 | 190 |
| CM322522-2R7<1>L | 2.7 | ±10 % | K | ±5 % | J | 30 | 7.96 | 75 | 1.1 | 180 |
| CM322522-3R3<1>L | 3.3 | ±10 % | K | ±5 % | J | 30 | 7.96 | 65 | 1.2 | 180 |
| CM322522-3R9<1>L | 3.9 | ±10 % | K | ±5 % | J | 30 | 7.96 | 60 | 1.3 | 175 |
| CM322522-4R7<1>L | 4.7 | ±10 % | K | ±5 % | J | 30 | 7.96 | 55 | 1.5 | 165 |
| CM322522-5R6<1>L | 5.6 | ±10 % | K | ±5 % | J | 30 | 7.96 | 50 | 1.6 | 160 |
| CM322522-6R8<1>L | 6.8 | ±10 % | K | ±5 % | J | 30 | 7.96 | 45 | 1.8 | 150 |
| CM322522-8R2<1>L | 8.2 | ±10 % | K | ±5 % | J | 30 | 7.96 | 40 | 2.0 | 140 |
| CM322522-100<1>L | 10 | ±10 % | K | ±5 % | J | 30 | 2.52 | 36 | 2.1 | 140 |
| CM322522-120<1>L | 12 | ±10 % | K | ±5 % | J | 30 | 2.52 | 33 | 2.5 | 125 |
| CM322522-150<1>L | 15 | ±10 % | K | ±5 % | J | 30 | 2.52 | 30 | 2.8 | 120 |
| CM322522-180<1>L | 18 | ±10 % | K | ±5 % | J | 30 | 2.52 | 27 | 3.3 | 110 |
| CM322522-220<1>L | 22 | ±10 % | K | ±5 % | J | 30 | 2.52 | 25 | 3.7 | 105 |
| CM322522-270<1>L | 27 | ±10 % | K | ±5 % | J | 30 | 2.52 | 22 | 5.0 | 90 |
| CM322522-330<1>L | 33 | ±10 % | K | ±5 % | J | 30 | 2.52 | 20 | 5.6 | 85 |
| CM322522-390<1>L | 39 | ±10 % | K | ±5 % | J | 30 | 2.52 | 20 | 6.4 | 80 |
| CM322522-470<1>L | 47 | ±10 % | K | ±5 % | J | 30 | 2.52 | 15 | 7.0 | 75 |
| CM322522-560<1>L | 56 | ±10 % | K | ±5 % | J | 30 | 2.52 | 15 | 8.0 | 70 |
| CM322522-680<1>L | 68 | ±10 % | K | ±5 % | J | 30 | 2.52 | 15 | 9.0 | 65 |
| CM322522-820<1>L | 82 | ±10 % | K | ±5 % | J | 30 | 2.52 | 11 | 10 | 60 |
| CM322522-101<1>L | 100 | ±10 % | K | ±5 % | J | 20 | 0.796 | 10 | 10 | 60 |
| CM322522-121<1>L | 120 | ±10 % | K | ±5 % | J | 20 | 0.796 | 10 | 11 | 55 |
| CM322522-151<1>L | 150 | ±10 % | K | ±5 % | J | 20 | 0.796 | 8 | 15 | 50 |
| CM322522-181<1>L | 180 | ±10 % | K | ±5 % | J | 20 | 0.796 | 7 | 17 | 50 |
| CM322522-221<1>L | 220 | ±10 % | K | ±5 % | J | 20 | 0.796 | 7 | 21 | 45 |

Tighter tolerance available on request. Consult factory.

NOTE: 47 nH to 180 nH 'air core' / 220 nH to 220 μH 'ferrite core'

<1>Enter tolerance code from standard or 1/2 tolerance column. Example: CM322522-1R0KL is standard tolerance; CM322522-1R0JL is 1/2 tolerance.

Specifications are subject to change without notice.
Customers should verify actual device performance in their specific applications.

Chip Inductors - CM252016 Series Wirewound

BOURNS®

| RoHS Compliant 1008 Size Part Number | Inductance μH | Tolerance | Q min. | Test Frequency MHz | SRF min. MHz | RDC ohm max | IDC mA max |
|--|------------------|-----------|-----------|-----------------------|-----------------|----------------|---------------|
| CM252016-10NKL | 0.010 | ±10 % | 10 | 100 | 2500 | 0.32 | 280 |
| CM252016-12NKL | 0.012 | ±10 % | 10 | 100 | 2200 | 0.34 | 270 |
| CM252016-15NKL | 0.015 | ±10 % | 10 | 100 | 1800 | 0.38 | 255 |
| CM252016-18NKL | 0.018 | ±10 % | 10 | 100 | 1550 | 0.4 | 250 |
| CM252016-22NKL | 0.022 | ±10 % | 15 | 100 | 1350 | 0.43 | 240 |
| CM252016-27NKL | 0.027 | ±10 % | 15 | 100 | 1150 | 0.47 | 230 |
| CM252016-33NKL | 0.033 | ±10 % | 15 | 100 | 1000 | 0.51 | 220 |
| CM252016-39NKL | 0.039 | ±10 % | 15 | 100 | 890 | 0.55 | 215 |
| CM252016-47NKL | 0.047 | ±10 % | 15 | 100 | 770 | 0.59 | 205 |
| CM252016-56NKL | 0.056 | ±10 % | 15 | 100 | 670 | 0.63 | 200 |
| CM252016-68NKL | 0.068 | ±10 % | 15 | 100 | 590 | 0.68 | 190 |
| CM252016-82NKL | 0.082 | ±10 % | 15 | 100 | 520 | 0.73 | 185 |
| CM252016-R10KL | 0.10 | ±10 % | 10 | 25.2 | 460 | 0.80 | 175 |
| CM252016-R12KL | 0.12 | ±10 % | 10 | 25.2 | 400 | 0.87 | 170 |
| CM252016-R15KL | 0.15 | ±10 % | 10 | 25.2 | 340 | 0.98 | 160 |
| CM252016-R18KL | 0.18 | ±10 % | 10 | 25.2 | 300 | 1.05 | 155 |
| CM252016-R22ML | 0.22 | ±20 % | 25 | 25.2 | 230 | 0.70 | 190 |
| CM252016-R27ML | 0.27 | ±20 % | 25 | 25.2 | 210 | 0.75 | 180 |
| CM252016-R33ML | 0.33 | ±20 % | 25 | 25.2 | 190 | 0.85 | 170 |
| CM252016-R39ML | 0.39 | ±20 % | 25 | 25.2 | 175 | 0.95 | 160 |
| CM252016-R47ML | 0.47 | ±20 % | 25 | 25.2 | 160 | 1.00 | 155 |
| CM252016-R56ML | 0.56 | ±20 % | 25 | 25.2 | 150 | 1.10 | 150 |
| CM252016-R68ML | 0.68 | ±20 % | 25 | 25.2 | 135 | 1.25 | 140 |
| CM252016-R82ML | 0.82 | ±20 % | 25 | 25.2 | 125 | 1.40 | 130 |
| CM252016-1R0KL | 1.0 | ±10 % | 25 | 7.96 | 115 | 0.65 | 195 |
| CM252016-1R2KL | 1.2 | ±10 % | 25 | 7.96 | 100 | 0.75 | 180 |
| CM252016-1R5KL | 1.5 | ±10 % | 25 | 7.96 | 90 | 0.85 | 170 |
| CM252016-1R8KL | 1.8 | ±10 % | 25 | 7.96 | 85 | 0.95 | 160 |
| CM252016-2R2KL | 2.2 | ±10 % | 25 | 7.96 | 80 | 1.05 | 155 |
| CM252016-2R7KL | 2.7 | ±10 % | 25 | 7.96 | 75 | 1.2 | 145 |
| CM252016-3R3KL | 3.3 | ±10 % | 25 | 7.96 | 65 | 1.3 | 135 |
| CM252016-3R9KL | 3.9 | ±10 % | 25 | 7.96 | 60 | 1.4 | 130 |
| CM252016-4R7KL | 4.7 | ±10 % | 25 | 7.96 | 55 | 1.6 | 125 |
| CM252016-5R6KL | 5.6 | ±10 % | 25 | 7.96 | 50 | 1.8 | 120 |
| CM252016-6R8KL | 6.8 | ±10 % | 25 | 7.96 | 45 | 1.9 | 115 |
| CM252016-8R2KL | 8.2 | ±10 % | 25 | 7.96 | 40 | 2.2 | 105 |
| CM252016-100KL | 10 | ±10 % | 25 | 2.52 | 32 | 3.5 | 80 |
| CM252016-120KL | 12 | ±10 % | 25 | 2.52 | 30 | 3.8 | 75 |
| CM252016-150KL | 15 | ±10 % | 25 | 2.52 | 28 | 4.4 | 70 |
| CM252016-180KL | 18 | ±10 % | 25 | 2.52 | 25 | 5.0 | 65 |
| CM252016-220KL | 22 | ±10 % | 25 | 2.52 | 22 | 5.8 | 60 |
| CM252016-270KL | 27 | ±10 % | 20 | 2.52 | 21 | 6.3 | 115 |
| CM252016-330KL | 33 | ±10 % | 20 | 2.52 | 20 | 7.1 | 110 |
| CM252016-390KL | 39 | ±10 % | 20 | 2.52 | 18 | 9.5 | 90 |
| CM252016-470KL | 47 | ±10 % | 20 | 2.52 | 17 | 11.0 | 80 |
| CM252016-560KL | 56 | ±10 % | 20 | 2.52 | 16 | 12.1 | 75 |
| CM252016-680KL | 68 | ±10 % | 20 | 2.52 | 15 | 16.6 | 70 |
| CM252016-820KL | 82 | ±10 % | 20 | 2.52 | 13 | 19.0 | 65 |
| CM252016-101KL | 100 | ±10 % | 15 | 0.796 | 12 | 21.0 | 60 |

Tighter tolerance available on request. Consult factory.

NOTE: 10 nH to 180 nH 'air core' / 220 nH to 220 uH 'ferrite core'

Specifications are subject to change without notice.

Customers should verify actual device performance in their specific applications.

Chip Inductors - CM201212 Series Wirewound

BOURNS®

| RoHS Compliant 0805 Size Part Number | Inductance μ H | Tolerance | Q min. | Test Frequency MHz | SRF min. MHz | RDC ohm max | IDC mA max |
|--|-----------------------|------------|-----------|-----------------------|-----------------|----------------|---------------|
| CM201212-10NKL | 0.010 | ± 10 % | 10 | 100 | 3300 | 0.20 | 540 |
| CM201212-12NKL | 0.012 | ± 10 % | 10 | 100 | 3300 | 0.23 | 535 |
| CM201212-15NKL | 0.015 | ± 10 % | 12 | 100 | 3000 | 0.25 | 520 |
| CM201212-18NKL | 0.018 | ± 10 % | 12 | 100 | 3000 | 0.27 | 480 |
| CM201212-22NKL | 0.022 | ± 10 % | 15 | 100 | 2600 | 0.29 | 465 |
| CM201212-27NKL | 0.027 | ± 10 % | 15 | 100 | 2500 | 0.32 | 455 |
| CM201212-33NKL | 0.033 | ± 10 % | 15 | 100 | 2000 | 0.37 | 395 |
| CM201212-39NKL | 0.039 | ± 10 % | 15 | 100 | 2000 | 0.38 | 390 |
| CM201212-47NKL | 0.047 | ± 10 % | 15 | 100 | 1600 | 0.42 | 385 |
| CM201212-56NKL | 0.056 | ± 10 % | 15 | 100 | 1500 | 0.45 | 360 |
| CM201212-68NKL | 0.068 | ± 10 % | 15 | 100 | 1400 | 0.52 | 340 |
| CM201212-82NKL | 0.082 | ± 10 % | 15 | 100 | 1100 | 0.60 | 330 |
| CM201212-R10KL | 0.10 | ± 10 % | 8 | 25.2 | 800 | 0.78 | 285 |
| CM201212-R12KL | 0.12 | ± 10 % | 8 | 25.2 | 600 | 0.99 | 275 |
| CM201212-R15KL | 0.15 | ± 10 % | 10 | 25.2 | 600 | 1.47 | 230 |
| CM201212-R18KL | 0.18 | ± 10 % | 10 | 25.2 | 600 | 1.61 | 195 |
| CM201212-R22KL | 0.22 | ± 10 % | 10 | 25.2 | 500 | 1.84 | 170 |
| CM201212-R27KL | 0.27 | ± 10 % | 10 | 25.2 | 300 | 1.95 | 165 |
| CM201212-R33KL | 0.33 | ± 10 % | 10 | 25.2 | 200 | 2.16 | 160 |
| CM201212-R39KL | 0.39 | ± 10 % | 10 | 25.2 | 150 | 2.35 | 150 |
| CM201212-R47KL | 0.47 | ± 10 % | 10 | 25.2 | 150 | 2.57 | 145 |
| CM201212-R56KL | 0.56 | ± 10 % | 10 | 25.2 | 100 | 2.65 | 140 |
| CM201212-R68KL | 0.68 | ± 10 % | 10 | 25.2 | 100 | 2.99 | 130 |
| CM201212-R82KL | 0.82 | ± 10 % | 10 | 25.2 | 80 | 3.35 | 125 |
| CM201212-1R0KL | 1.0 | ± 10 % | 8 | 7.96 | 80 | 3.82 | 120 |

Tighter tolerance available on request. Consult factory.

Chip Inductors - CM160808 Series Laser-cut Winding

BOURNS®

| RoHS Compliant 0603 Size Part Number | Inductance nH | Tolerance | Q min. | Test Frequency MHz | SRF min. MHz | RDC ohm max | IDC mA max |
|--|------------------|-----------|-----------|-----------------------|-----------------|----------------|---------------|
| CM160808-1N5DL | 1.5 | ± 0.3 nH | 8 | 100 | 6000 | 0.07 | 500 |
| CM160808-1N8DL | 1.8 | ± 0.3 nH | 8 | 100 | 6000 | 0.08 | 500 |
| CM160808-2N2DL | 2.2 | ± 0.3 nH | 8 | 100 | 6000 | 0.09 | 500 |
| CM160808-2N7DL | 2.7 | ± 0.3 nH | 8 | 100 | 6000 | 0.10 | 500 |
| CM160808-3N3DL | 3.3 | ± 0.3 nH | 9 | 100 | 5500 | 0.12 | 500 |
| CM160808-3N9JL | 3.9 | ±5 % | 9 | 100 | 5500 | 0.15 | 450 |
| CM160808-4N7JL | 4.7 | ±5 % | 9 | 100 | 4800 | 0.17 | 450 |
| CM160808-5N6JL | 5.6 | ±5 % | 9 | 100 | 4600 | 0.18 | 430 |
| CM160808-6N8JL | 6.8 | ±5 % | 9 | 100 | 3550 | 0.20 | 430 |
| CM160808-8N2JL | 8.2 | ±5 % | 9 | 100 | 3500 | 0.28 | 400 |
| CM160808-10N1JL | 10 | ±5 % | 10 | 100 | 2800 | 0.32 | 400 |
| CM160808-12N1JL | 12 | ±5 % | 10 | 100 | 2800 | 0.35 | 400 |
| CM160808-15N1JL | 15 | ±5 % | 10 | 100 | 2500 | 0.41 | 350 |
| CM160808-18N1JL | 18 | ±5 % | 10 | 100 | 2300 | 0.45 | 350 |
| CM160808-22N1JL | 22 | ±5 % | 10 | 100 | 2000 | 0.50 | 300 |
| CM160808-27N1JL | 27 | ±5 % | 10 | 100 | 2000 | 0.55 | 300 |
| CM160808-33N1JL | 33 | ±5 % | 10 | 100 | 1800 | 0.60 | 300 |
| CM160808-39N1JL | 39 | ±5 % | 11 | 100 | 1800 | 0.80 | 300 |
| CM160808-47N1JL | 47 | ±5 % | 11 | 100 | 1800 | 0.95 | 250 |
| CM160808-56N1JL | 56 | ±5 % | 12 | 100 | 1800 | 1.2 | 250 |
| CM160808-68N1JL | 68 | ±5 % | 12 | 100 | 1500 | 1.3 | 250 |
| CM160808-82N1JL | 82 | ±5 % | 12 | 100 | 1500 | 1.5 | 250 |
| CM160808-R10JL | 100 | ±5 % | 12 | 100 | 1300 | 1.8 | 200 |
| CM160808-R12JL | 120 | ±5 % | 5 | 25.2 | 1200 | 3.0 | 130 |
| CM160808-R15JL | 150 | ±5 % | 5 | 25.2 | 1100 | 4.5 | 100 |
| CM160808-R18JL | 180 | ±5 % | 4 | 25.2 | 1000 | 6.5 | 80 |
| CM160808-R22JL | 220 | ±5 % | 4 | 25.2 | 900 | 7.5 | 70 |

Specifications are subject to change without notice.
Customers should verify actual device performance in their specific applications.

Chip Inductors - CM100505 Series Laser-cut Winding

BOURNS®

| RoHS Compliant 0402 Size Part Number | Inductance nH | Tolerance | Q min. | Test Frequency MHz | SRF min. MHz | RDC ohm max | IDC mA max |
|--|------------------|-----------|-----------|-----------------------|-----------------|----------------|---------------|
| CM100505-1N0DL | 1.00 | ±0.3 nH | 8 | 100 | 6000 | 0.05 | 400 |
| CM100505-1N2DL | 1.20 | ±0.3 nH | 8 | 100 | 6000 | 0.06 | 400 |
| CM100505-1N5DL | 1.50 | ±0.3 nH | 8 | 100 | 6000 | 0.07 | 400 |
| CM100505-1N8DL | 1.80 | ±0.3 nH | 8 | 100 | 6000 | 0.08 | 400 |
| CM100505-2N2DL | 2.20 | ±0.3 nH | 8 | 100 | 6000 | 0.09 | 400 |
| CM100505-2N7DL | 2.70 | ±0.3 nH | 8 | 100 | 5500 | 0.10 | 400 |
| CM100505-3N3DL | 3.30 | ±0.3 nH | 8 | 100 | 5500 | 0.12 | 400 |
| CM100505-3N9DL | 3.90 | ±0.3 nH | 8 | 100 | 5200 | 0.15 | 360 |
| CM100505-4N7DL | 4.70 | ±0.3 nH | 8 | 100 | 4800 | 0.17 | 360 |
| CM100505-5N6DL | 5.60 | ±0.3 nH | 8 | 100 | 4600 | 0.19 | 340 |
| CM100505-6N8JL | 6.80 | ± 5 % | 8 | 100 | 4000 | 0.30 | 320 |
| CM100505-8N2JL | 8.20 | ± 5 % | 8 | 100 | 3500 | 0.35 | 320 |
| CM100505-10NJL | 10.00 | ± 5 % | 8 | 100 | 2800 | 0.41 | 320 |
| CM100505-12NJL | 12.00 | ± 5 % | 8 | 100 | 2800 | 0.45 | 320 |
| CM100505-15NJL | 15.00 | ± 5 % | 8 | 100 | 2500 | 0.60 | 240 |
| CM100505-18NJL | 18.00 | ± 5 % | 8 | 100 | 2200 | 0.70 | 240 |
| CM100505-22NJL | 22.00 | ± 5 % | 8 | 100 | 2000 | 0.80 | 200 |
| CM100505-27NJL | 27.00 | ± 5 % | 8 | 100 | 1800 | 1.2 | 200 |
| CM100505-33NJL | 33.00 | ± 5 % | 8 | 100 | 1800 | 1.4 | 170 |
| CM100505-39NJL | 39.00 | ± 5 % | 8 | 100 | 1800 | 1.7 | 150 |
| CM100505-47NJL | 47.00 | ± 5 % | 8 | 100 | 1800 | 2.1 | 140 |
| CM100505-56NJL | 56.00 | ± 5 % | 8 | 100 | 1500 | 2.5 | 130 |
| CM100505-68NJL | 68.00 | ± 5 % | 8 | 100 | 1500 | 4.0 | 120 |
| CM100505-82NJL | 82.00 | ± 5 % | 8 | 100 | 1400 | 4.5 | 110 |
| CM100505-R10JL | 100.00 | ± 5 % | 8 | 100 | 1200 | 5.5 | 90 |

Компания «Океан Электроники» предлагает заключение долгосрочных отношений при поставках импортных электронных компонентов на взаимовыгодных условиях!

Наши преимущества:

- Поставка оригинальных импортных электронных компонентов напрямую с производств Америки, Европы и Азии, а так же с крупнейших складов мира;
- Широкая линейка поставок активных и пассивных импортных электронных компонентов (более 30 млн. наименований);
- Поставка сложных, дефицитных, либо снятых с производства позиций;
- Оперативные сроки поставки под заказ (от 5 рабочих дней);
- Экспресс доставка в любую точку России;
- Помощь Конструкторского Отдела и консультации квалифицированных инженеров;
- Техническая поддержка проекта, помощь в подборе аналогов, поставка прототипов;
- Поставка электронных компонентов под контролем ВП;
- Система менеджмента качества сертифицирована по Международному стандарту ISO 9001;
- При необходимости вся продукция военного и аэрокосмического назначения проходит испытания и сертификацию в лаборатории (по согласованию с заказчиком);
- Поставка специализированных компонентов военного и аэрокосмического уровня качества (Xilinx, Altera, Analog Devices, Intersil, Interpoint, Microsemi, Actel, Aeroflex, Peregrine, VPT, Syfer, Eurofarad, Texas Instruments, MS Kennedy, Miteq, Cobham, E2V, MA-COM, Hittite, Mini-Circuits, General Dynamics и др.);

Компания «Океан Электроники» является официальным дистрибьютором и эксклюзивным представителем в России одного из крупнейших производителей разъемов военного и аэрокосмического назначения «JONHON», а так же официальным дистрибьютором и эксклюзивным представителем в России производителя высокотехнологичных и надежных решений для передачи СВЧ сигналов «FORSTAR».



JONHON

«JONHON» (основан в 1970 г.)

Разъемы специального, военного и аэрокосмического назначения:

(Применяются в военной, авиационной, аэрокосмической, морской, железнодорожной, горно- и нефтедобывающей отраслях промышленности)

«FORSTAR» (основан в 1998 г.)

ВЧ соединители, коаксиальные кабели,
кабельные сборки и микроволновые компоненты:

(Применяются в телекоммуникациях гражданского и специального назначения, в средствах связи, РЛС, а так же военной, авиационной и аэрокосмической отраслях промышленности).



Телефон: 8 (812) 309-75-97 (многоканальный)

Факс: 8 (812) 320-03-32

Электронная почта: ocean@oceanchips.ru

Web: <http://oceanchips.ru/>

Адрес: 198099, г. Санкт-Петербург, ул. Калинина, д. 2, корп. 4, лит. А