

Data Sheet



Description

The HCPL-260L/060L/263L/063L are optically coupled gates that combine a GaAsP light emitting diode and an integrated high gain photo detector. An enable input allows the detector to be strobed. The output of the detector IC is an open collector Schottky-clamped transistor. The internal shield provides a guaranteed common mode transient immunity specification of 15 kV/μs at 3.3V.

This unique design provides maximum AC and DC circuit isolation while achieving LVTTTL/LVCMOS compatibility. The optocoupler AC and DC operational parameters are guaranteed from -40°C to +85°C allowing trouble-free system performance.

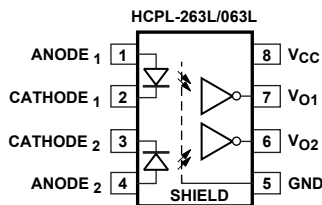
These optocouplers are suitable for high speed logic interfacing, input/output buffering, as line receivers in environments that conventional line receivers cannot tolerate and are recommended for use in extremely high ground or induced noise environments.

Functional Diagram



TRUTH TABLE
(POSITIVE LOGIC)

| LED | ENABLE | OUTPUT |
|-----|--------|--------|
| ON | H | L |
| OFF | H | H |
| ON | L | H |
| OFF | L | H |
| ON | NC | L |
| OFF | NC | H |



TRUTH TABLE
(POSITIVE LOGIC)

| LED | OUTPUT |
|-----|--------|
| ON | L |
| OFF | H |

A 0.1 μF bypass capacitor must be connected between pins 5 and 8.

Features

- 3.3V/5V Dual Supply Voltages
- Low power consumption
- 15 kV/μs minimum Common Mode Rejection (CMR) at V_{CM} = 1000 V
- High speed: 15 MBd typical
- LVTTTL/LVCMOS compatible
- Low input current capability: 5 mA
- Guaranteed AC and DC performance over temperature: -40°C to +85°C
- Available in 8-pin DIP, SOIC-8
- Storable output (single channel products only)
- Safety approvals: UL, CSA, IEC/EN/DIN EN 60747-5-2

Applications

- Isolated line receiver
- Computer-peripheral interfaces
- Microprocessor system interfaces
- Digital isolation for A/D, D/A conversion
- Switching power supply
- Instrument input/output isolation
- Ground loop elimination
- Pulse transformer replacement
- Field buses

CAUTION: It is advised that normal static precautions be taken in handling and assembly of this component to prevent damage and/or degradation which may be induced by ESD.

Ordering Information

HCPL-xxxx is UL Recognized with 3750 Vrms for 1 minute per UL1577

| Part number | Option | | Package | Surface Mount | Gull Wing | Tape & Reel | UL 5000 Vrms/ 1 Minute rating | IEC/EN/DIN EN 60747-5-2 | Quantity |
|-------------|----------------|--------------------|-----------------|---------------|-----------|-------------|-------------------------------------|----------------------------|---------------|
| | RoHS Compliant | Non RoHS Compliant | | | | | | | |
| HCPL-260L | -000E | No option | 300mil DIP-8 | | | | | | 50 per tube |
| | -300E | -300 | | X | X | | | | 50 per tube |
| | -500E | #500 | | X | X | X | | | 1000 per reel |
| | -020E | -020 | | | | | X | | 50 per tube |
| | -320E | -320 | | X | X | | X | | 50 per tube |
| | -520E | -520 | | X | X | X | X | | 1000 per reel |
| | -060E | #060 | | | | | | X | 50 per tube |
| | -560E | #560 | | X | X | X | | X | 1000 per reel |
| HCPL-263L | -000E | No option | 300mil DIP-8 | | | | | | 50 per tube |
| | -300E | #300 | | X | X | | | | 50 per tube |
| | -500E | #500 | | X | X | X | | | 1000 per reel |
| | -020E | #020 | | | | | X | | 50 per tube |
| | -320E | -320 | | X | X | | X | | 50 per tube |
| | -520E | #520 | | X | X | X | X | | 1000 per reel |
| | -060E | -060 | | | | | | X | 50 per tube |
| | -560E | -560 | | X | X | X | | X | 1000 per reel |
| HCPL-060L | -000E | No option | SO-8 | X | | | | | 100 per tube |
| | -500E | #500 | | X | | X | | | 1500 per reel |
| | -060E | #060 | | X | | | | X | 100 per tube |
| | -560E | -560 | | X | | X | | X | 1500 per reel |
| HCPL-063L | -000E | No option | SO-8 | X | | | | | 100 per tube |
| | -500E | #500 | | X | | X | | | 1500 per reel |
| | -060E | -060 | | X | | | | X | 100 per tube |
| | -560E | -560 | | X | | X | | X | 1500 per reel |

To order, choose a part number from the part number column and combine with the desired option from the option column to form an order entry. Combination of Option 020 and Option 060 is not available.

Example 1:

HCPL-260L-560E to order product of 300mil DIP Gull Wing Surface Mount package in Tape and Reel packaging with IEC/EN/DIN EN 60747-5-2 Safety Approval in RoHS compliant.

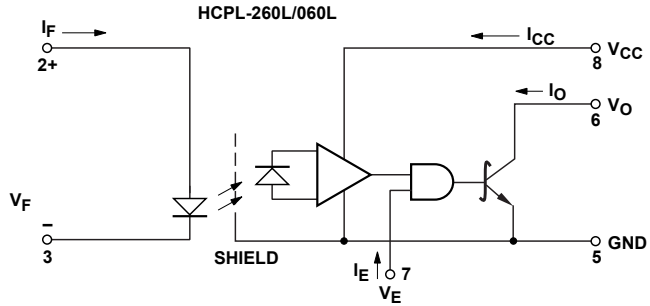
Example 2:

HCPL-263L to order product of 300mil DIP package in tube packaging and non RoHS compliant.

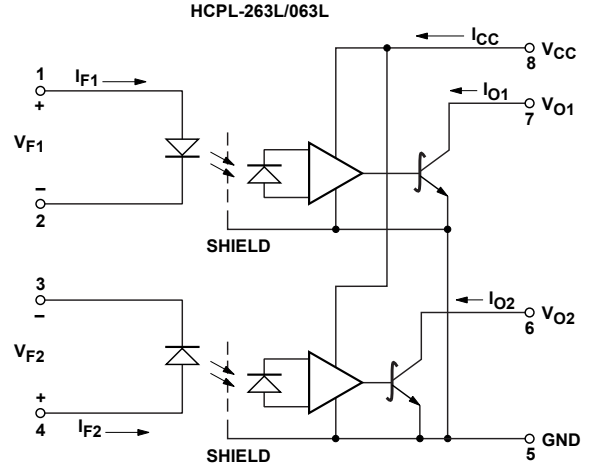
Option datasheets are available. Contact your Avago sales representative or authorized distributor for information.

Remarks: The notation '#XXX' is used for existing products, while (new) products launched since 15th July 2001 and RoHS compliant option will use '-XXXE'.

Schematic

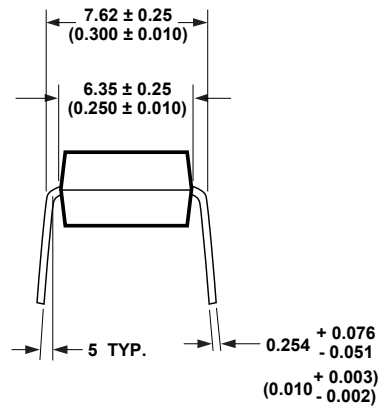
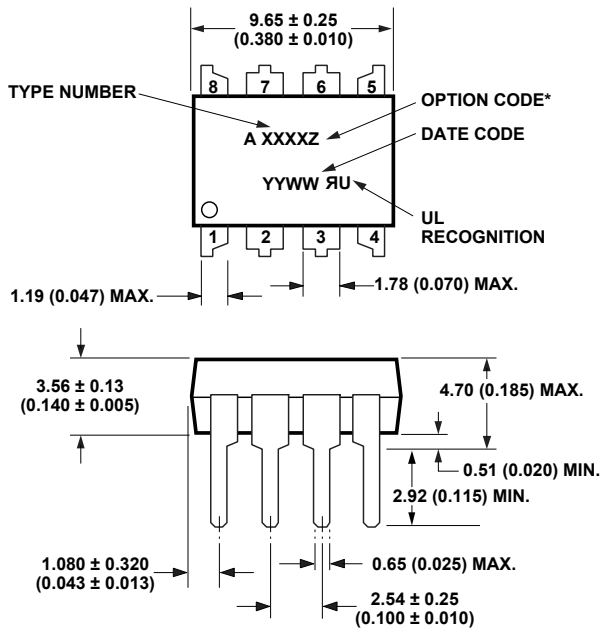


USE OF A 0.1 μ F BYPASS CAPACITOR CONNECTED BETWEEN PINS 5 AND 8 IS RECOMMENDED (SEE NOTE 5).



Package Outline Drawings

8-Pin DIP Package



DIMENSIONS IN MILLIMETERS AND (INCHES).
 * MARKING CODE LETTER FOR OPTION NUMBERS
 "V" = OPTION 060
 OPTION NUMBER 500 NOT MARKED.

NOTE: FLOATING LEAD PROTRUSION IS 0.25 mm (10 mils) MAX.

8-Pin DIP Package with Gull Wing Surface Mount in Option 500

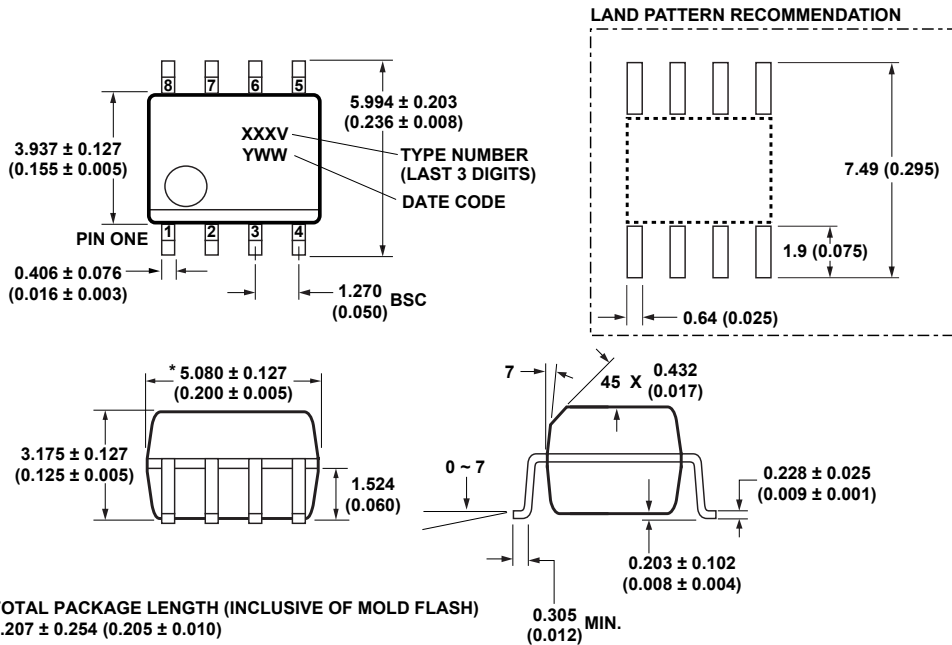
(HCPL-260L, HCPL-263L)



DIMENSIONS IN MILLIMETERS (INCHES).
LEAD COPLANARITY = 0.10 mm (0.004 INCHES).

NOTE: FLOATING LEAD PROTRUSION IS 0.25 mm (10 mils) MAX.

Small Outline SO-8 Package



* TOTAL PACKAGE LENGTH (INCLUSIVE OF MOLD FLASH)
5.207 ± 0.254 (0.205 ± 0.010)

DIMENSIONS IN MILLIMETERS (INCHES).
LEAD COPLANARITY = 0.10 mm (0.004 INCHES) MAX.

OPTION NUMBER 500 NOT MARKED.

NOTE: FLOATING LEAD PROTRUSION IS 0.15 mm (6 mils) MAX.

Solder Reflow Temperature Profile



Note: Non-halide flux should be used.

Recommended PB-Free IR Profile



NOTES:
 THE TIME FROM 25 C TO PEAK TEMPERATURE = 8 MINUTES MAX.
 $T_{smax} = 200^{\circ}\text{C}$, $T_{smin} = 150^{\circ}\text{C}$

Note: Non-halide flux should be used.

Regulatory Information

The HCPL-260L/060L/263L/063L have been approved by the following organizations:

UL

Approval under UL 1577, Component Recognition Program, File E55361.

CSA

Approval under CSA Component Acceptance Notice #5, File CA 88324.

IEC/EN/DIN EN 60747-5-2

Approved under:

IEC 60747-5-2:1997 + A1:2002

EN 60747-5-2:2001 + A1:2002

DIN EN 60747-5-2 (VDE 0884

Teil 2):2003-01

(Option 060 only)

Insulation and Safety Related Specifications

| Parameter | Symbol | 8-Pin DIP | SO-8 | Units | Conditions |
|---|---------|-----------|-------|-------|--|
| | | (300 Mil) | Value | | |
| | | Value | Value | | |
| Minimum External Air Gap (External Clearance) | L (101) | 7.1 | 4.9 | mm | Measured from input terminals to output terminals, shortest distance through air. |
| Minimum External Tracking (External Creepage) | L (102) | 7.4 | 4.8 | mm | Measured from input terminals to output terminals, shortest distance path along body. |
| Minimum Internal Plastic Gap (Internal Clearance) | | 0.08 | 0.08 | mm | Through insulation distance, conductor to conductor, usually the direct distance between the photoemitter and photodetector inside the optocoupler cavity. |
| Tracking Resistance (Comparative Tracking Index) | CTI | 200 | 200 | Volts | DIN IEC 112/VDE 0303 Part 1 |
| Isolation Group | | IIIa | IIIa | | Material Group (DIN VDE 0110, 1/89, Table 1) |

IEC/EN/DIN EN 60747-5-2 Insulation Related Characteristics

| Description | Symbol | PDIP Option 060 | SO-8 Option 060 | Units |
|--|----------------|------------------------|-----------------------|--------------------|
| Installation classification per DIN VDE 0110/1.89, Table 1 for rated mains voltage ≤ 150 V rms for rated mains voltage ≤ 300 V rms for rated mains voltage ≤ 600 V rms | | I-IV I-III I-III | I-IV I-III I-II | |
| Climatic Classification | | 55/85/21 | 55/85/21 | |
| Pollution Degree (DIN VDE 0110/1.89) | | 2 | 2 | |
| Maximum Working Insulation Voltage | V_{IORM} | 630 | 560 | V_{peak} |
| Input to Output Test Voltage, Method b* $V_{IORM} \times 1.875 = V_{PR}$, 100% Production Test with $t_m = 1$ sec, Partial Discharge < 5 pC | V_{PR} | 1181 | 1063 | V_{peak} |
| Input to Output Test Voltage, Method a* $V_{IORM} \times 1.5 = V_{PR}$, Type and Sample Test, $t_m = 60$ sec, Partial Discharge < 5 pC | V_{PR} | 945 | 849 | V_{peak} |
| Highest Allowable Overvoltage* (Transient Overvoltage, $t_{ini} = 10$ sec) | V_{IOTM} | 6000 | 4000 | V_{peak} |
| Safety Limiting Values (See below for Thermal Derating Curve Figures) | | | | |
| Case Temperature | T_S | 175 | 150 | $^{\circ}\text{C}$ |
| Input Current | $I_{S,INPUT}$ | 230 | 150 | mA |
| Output Power | $P_{S,OUTPUT}$ | 600 | 600 | mW |
| Insulation Resistance at $T_S, V_{IO} = 500$ V | R_S | $\geq 10^9$ | $\geq 10^9$ | Ω |

*Refer to the front of the optocoupler section of the current catalog, under Product Safety Regulations section IEC/EN/DIN EN 60747-5-2, for a detailed description.

Note: Isolation characteristics are guaranteed only within the safety maximum ratings which must be ensured by protective circuits in application.

Thermal Derating Curve Figures



Absolute Maximum Ratings (No Derating Required up to 85°C)

| Parameter | Symbol | Package** | Min. | Max. | Units | Note |
|---|----------|---------------------------------|---|----------------|-------|------|
| Storage Temperature | T_S | | -55 | 125 | °C | |
| Operating Temperature† | T_A | | -40 | 85 | °C | |
| Average Forward Input Current | I_F | Single 8-Pin DIP | | 20 | mA | 2 |
| | | Single SO-8 | | | | |
| | | Dual 8-Pin DIP Dual SO-8 | | 15 | | 1, 3 |
| Reverse Input Voltage | V_R | 8-Pin DIP, SO-8 | | 5 | V | 1 |
| Input Power Dissipation | P_I | | | 40 | mW | |
| Supply Voltage (1 Minute Maximum) | V_{CC} | | | 7 | V | |
| Enable Input Voltage (Not to Exceed V_{CC} by more than 500 mV) | V_E | Single 8-Pin DIP Single SO-8 | | $V_{CC} + 0.5$ | V | |
| Enable Input Current | I_E | | | 5 | mA | |
| Output Collector Current | I_O | | | 50 | mA | 1 |
| Output Collector Voltage | V_O | | | 7 | V | 1 |
| Output Collector Power Dissipation | P_O | Single 8-Pin DIP Single SO-8 | | 85 | mW | |
| | | Dual 8-Pin DIP | | 60 | | 1, 4 |
| | | Dual SO-8 | | | | |
| Lead Solder Temperature (Through Hole Parts Only) | T_{LS} | 8-Pin DIP | 260°C for 10 sec., 1.6 mm below seating plane | | | |
| Solder Reflow Temperature Profile (Surface Mount Parts Only) | | SO-8 | See Package Outline Drawings section | | | |

**Ratings apply to all devices except otherwise noted in the Package column.

Recommended Operating Conditions

| Parameter | Symbol | Min. | Max. | Units |
|---|---------------|------|----------|-----------|
| Input Current, Low Level | I_{FL}^* | 0 | 250 | μA |
| Input Current, High Level ^[1] | I_{FH}^{**} | 5 | 15 | mA |
| Power Supply Voltage | V_{CC} | 2.7 | 3.6 | V |
| | | 4.5 | 5.5 | |
| Low Level Enable Voltage | V_{EL} | 0 | 0.8 | V |
| High Level Enable Voltage | V_{EH} | 2.0 | V_{CC} | V |
| Operating Temperature | T_A | -40 | 85 | °C |
| Fan Out (at $R_L = 1\text{ k}\Omega$) ^[1] | N | | 5 | TTL Loads |
| Output Pull-up Resistor | R_L | 330 | 4 k | Ω |

*The off condition can also be guaranteed by ensuring that $V_{FL} \leq 0.8$ volts.

**The initial switching threshold is 5 mA or less. It is recommended that 6.3 mA to 10 mA be used for best performance and to permit at least a 20% LED degradation guardband.

Electrical Specifications

Over Recommended Operating Conditions ($T_A = -40^{\circ}\text{C}$ to $+85^{\circ}\text{C}$, $2.7\text{V} \leq V_{CC} \leq 3.6\text{V}$) unless otherwise specified. All Typical at $V_{CC} = 3.3\text{V}$, $T_A = 25^{\circ}\text{C}$. All enable test conditions apply to single channel products only. See Note 5.

| Parameter | Sym. | Device | Min. | Typ. | Max. | Units | Test Conditions | Fig. | Note |
|-------------------------------------|---------------------------|--------|------|------|-------|-----------------------------|---|------|-------|
| High Level Output Current | I_{OH}^* | | | 4.5 | 50 | μA | $V_{CC} = 3.3\text{V}$, $V_E = 2.0\text{V}$, $V_O = 3.3\text{V}$, $I_F = 250\mu\text{A}$ | 1 | 1, 15 |
| Input Threshold Current | I_{TH} | | | 3.0 | 5.0 | mA | $V_{CC} = 3.3\text{V}$, $V_E = 2.0\text{V}$, $V_O = 0.6\text{V}$, $I_{OL}(\text{Sinking}) = 13\text{mA}$ | 2 | 15 |
| Low Level Output Voltage | V_{OL}^* | | | 0.35 | 0.6 | V | $V_{CC} = 3.3\text{V}$, $V_E = 2.0\text{V}$, $I_F = 5\text{mA}$, $I_{OL}(\text{Sinking}) = 13\text{mA}$ | 3 | 15 |
| High Level Supply Current | I_{CCH} | Single | | 4.7 | 7.0 | mA | $V_E = 0.5\text{V}$, $I_F = 0\text{mA}$ | | |
| | | Dual | | 6.9 | 10.0 | | $V_{CC} = 3.3\text{V}$ | | |
| Low Level Supply Current | I_{CCL} | Single | | 7.0 | 10.0 | mA | $V_E = 0.5\text{V}$, $I_F = 10\text{mA}$ | | |
| | | Dual | | 8.7 | 15.0 | | $V_{CC} = 3.3\text{V}$ | | |
| High Level Enable Current | I_{EH} | Single | | -0.5 | -1.2 | mA | $V_{CC} = 3.3\text{V}$, $V_E = 2.0\text{V}$ | | |
| Low Level Enable Current | I_{EL}^* | Single | | -0.5 | -1.2 | mA | $V_{CC} = 3.3\text{V}$, $V_E = 0.5\text{V}$ | | |
| High Level Enable Voltage | V_{EH} | Single | 2.0 | | | V | | | 15 |
| Low Level Enable Voltage | V_{EL} | Single | | | 0.8 | V | | | |
| Input Forward Voltage | V_F | | 1.4 | 1.5 | 1.75* | V | $T_A = 25^{\circ}\text{C}$, $I_F = 10\text{mA}$ | 5 | 1 |
| Input Reverse Breakdown Voltage | BV_R^* | | 5 | | | V | $I_R = 10\mu\text{A}$ | | 1 |
| Input Diode Temperature Coefficient | $\Delta V_F / \Delta T_A$ | | | -1.6 | | $\text{mV}^{\circ}\text{C}$ | $I_F = 10\text{mA}$ | | 1 |
| Input Capacitance | C_{IN} | | | 60 | | pF | $f = 1\text{MHz}$, $V_F = 0\text{V}$ | | 1 |

*The JEDEC Registration specifies 0°C to $+70^{\circ}\text{C}$. Avago specifies -40°C to $+85^{\circ}\text{C}$.

Electrical Specifications (DC)

Over recommended operating conditions ($T_A = -40^{\circ}\text{C}$ to $+85^{\circ}\text{C}$, $4.5\text{V} \leq V_{DD} \leq 5.5\text{V}$) unless otherwise specified.
All typicals at $V_{CC} = 5\text{V}$, $T_A = 25^{\circ}\text{C}$.

| Parameter | Symbol | Channel | Min. | Typ.* | Max. | Units | Test Conditions | Fig. | Note |
|-------------------------------------|---------------------------|---------|------|-------|------|------------------------------|---|------|------|
| High Level Output Current | I_{OH} | | | 5.5 | 100 | μA | $V_{CC} = 5.5\text{V}$, $V_O = 5.5\text{V}$, $I_{FL} = 250\ \mu\text{A}$ | 1 | 1,15 |
| Input Threshold Current | I_{TH} | Single | | 2.0 | 5.0 | mA | $V_{CC} = 5.5\text{V}$, $V_O = 0.6\text{V}$, $I_{OL} > 13\text{mA}$ | 2 | 15 |
| | | Dual | | 2.5 | | | | | |
| Low Level Output Voltage | V_{OL} | | 0.35 | 0.6 | | V | $V_{CC} = 5.5\text{V}$, $I_F = 5\text{mA}$, $I_{OL}(\text{Sinking}) = 13\text{mA}$ | 3 | 15 |
| High Level Supply Current | I_{CCH} | Single | | 7.0 | 10.0 | mA | $V_E = 0.5\text{V}$, $V_{CC} = 5.5\text{V}$, $I_F = 0\text{mA}$ | | |
| | | | | 6.5 | | mA | $V_E = V_{CC}$, $V_{CC} = 5.5\text{V}$, $I_F = 0\text{mA}$ | | |
| | | Dual | | 10.0 | 15.0 | | $V_{CC} = 5.5\text{V}$, $I_F = 0\text{mA}$ | | |
| Low Level Supply Current | I_{CCL} | Single | | 9.0 | 13.0 | mA | $V_E = 0.5\text{V}$, $V_{CC} = 5.5\text{V}$, $I_F = 0\text{mA}$ | | |
| | | | | 8.5 | | mA | $V_E = V_{CC}$, $V_V = 5.5\text{V}$, $I_F = 0\text{mA}$ | | |
| | | Dual | | 13.0 | 21.0 | mA | $V_{CC} = 5.5\text{V}$, $I_F = 0\text{mA}$ | | |
| High Level Enable Current | I_{EH} | Single | -0.7 | -1.6 | | mA | $V_{CC} = 5.5\text{V}$, $V_E = 2.0\text{V}$ | | |
| Low Level Enable Current | I_{EL} | Single | -0.9 | -1.6 | | mA | $V_{CC} = 5.5\text{V}$, $V_E = 0.5\text{V}$ | | |
| High Level Enable Voltage | V_{EH} | Single | 2.0 | | | V | | | 15 |
| Low Level Enable Voltage | V_{EL} | Single | | | 0.8 | V | | | |
| Input Forward Voltage | V_F | | 1.4 | 1.5 | 1.75 | V | $T_A = 25^{\circ}\text{C}$, $I_F = 10\text{mA}$ | | 5 |
| | | | 1.3 | | 1.8 | V | | | |
| Input Reverse Breakdown Voltage | BV_R | | 5 | | | V | $I_R = 10\ \mu\text{A}$ | | 1 |
| Input Diode Temperature Coefficient | $\Delta V_F / \Delta T_A$ | | | -1.6 | | $\text{mV}/^{\circ}\text{C}$ | $I_F = 10\text{mA}$ | | 1 |
| Input Capacitance | C_{IN} | | | 60 | | pF | $f = 1\text{MHz}$, $V_F = 0\text{V}$ | | 1 |

Switching Specifications

Over Recommended Operating Conditions ($T_A = -40^\circ\text{C}$ to $+85^\circ\text{C}$, $2.7\text{V} \leq V_{CC} \leq 3.6\text{V}$), $I_F = 7.5\text{ mA}$ unless otherwise specified. All Typical at $T_A = 25^\circ\text{C}$, $V_{CC} = 3.3\text{ V}$.

| Parameter | Symbol | Min. | Typ. | Max. | Units | Test Conditions | Fig. | Note |
|--|-----------------------|------|------|------|-------|---|------|----------|
| Propagation Delay Time to High Output Level | t_{PLH} | | | 90 | ns | $R_L = 350\ \Omega$ $C_L = 15\ \text{pF}$ | 6, 7 | 1, 6, 15 |
| Propagation Delay Time to Low Output Level | t_{PHL} | | | 75 | ns | $R_L = 350\ \Omega$ $C_L = 15\ \text{pF}$ | | 1, 7, 15 |
| Pulse Width Distortion | $ t_{PHL} - t_{PLH} $ | | | 25 | ns | $R_L = 350\ \Omega$ $C_L = 15\ \text{pF}$ | 8 | 9, 15 |
| Propagation Delay Skew | t_{PSK} | | | 40 | ns | $R_L = 350\ \Omega$ $C_L = 15\ \text{pF}$ | | 8, 9, 15 |
| Output Rise Time (10-90%) | t_r | | 45 | | ns | $R_L = 350\ \Omega$ $C_L = 15\ \text{pF}$ | | 1, 15 |
| Output Fall Time (90-10%) | t_f | | 20 | | ns | $R_L = 350\ \Omega$ $C_L = 15\ \text{pF}$ | | 1, 15 |
| Propagation Delay Time of Enable from V_{EH} to V_{EL} | t_{ELH} | | 45 | | ns | $R_L = 350\ \Omega$, $C_L = 15\ \text{pF}$, $V_{EL} = 0\text{ V}$, $V_{EH} = 3\text{ V}$ | 9 | 10 |
| Propagation Delay Time of Enable from V_{EL} to V_{EH} | t_{EHL} | | 30 | | ns | $R_L = 350\ \Omega$, $C_L = 15\ \text{pF}$, $V_{EL} = 0\text{ V}$, $V_{EH} = 3\text{ V}$ | 9 | 11 |

Switching Specifications (AC)

Over recommended operating conditions $T_A = -40^\circ\text{C}$ to 85°C , $4.5 \leq V_{CC} \leq 5.5\text{V}$, $I_F = 7.5\text{ mA}$ unless otherwise specified. All typicals at $V_{CC} = 5\text{ V}$, $T_A = 25^\circ\text{C}$.

| Parameter | Symbol | Min. | Typ. | Max. | Units | Test Conditions | Fig. | Note |
|--|-----------------------|------|------|------------------|-------|--|------|---------|
| Propagation Delay Time to High Output Level | t_{PLH} | 20 | 48 | $\frac{75}{100}$ | ns | $T_A = 25^\circ\text{C}$, $R_L = 350\ \Omega$, $C_L = 15\ \text{pF}$ | 6,7 | 1,6,15 |
| Propagation Delay Time to Low Output Level | t_{PHL} | 25 | 50 | $\frac{75}{100}$ | ns | $T_A = 25^\circ\text{C}$, $R_L = 350\ \Omega$, $C_L = 15\ \text{pF}$ | 6, 7 | 1,7, 15 |
| Pulse Width Distortion | $ t_{PHL} - t_{PLH} $ | | 3.5 | 35 | ns | $R_L = 350\ \Omega$, $C_L = 15\ \text{pF}$ | 8 | 9, 15 |
| Propagation Delay Skew | T_{PSK} | | | 40 | ns | $R_L = 350\ \Omega$, $C_L = 15\ \text{pF}$ | | 8,9, 15 |
| Output Rise Time (10%-90%) | t_r | | 24 | | ns | $R_L = 350\ \Omega$, $C_L = 15\ \text{pF}$ | | 1,15 |
| Output Fall Time (10%-90%) | t_f | | 10 | | ns | $R_L = 350\ \Omega$, $C_L = 15\ \text{pF}$ | | 1, 15 |
| Propagation Delay Time of Enable from V_{EH} to V_{EL} | t_{ELH} | | 30 | | ns | $R_L = 350\ \Omega$, $C_L = 15\ \text{pF}$, $V_{EL} = 0\text{V}$, $V_{EH} = 3\text{V}$ | 9 | 10 |
| Propagation Delay Time of Enable from V_{EL} to V_{EH} | t_{EHL} | | 20 | | ns | $R_L = 350\ \Omega$, $C_L = 15\ \text{pF}$, $V_{EL} = 0\text{V}$, $V_{EH} = 3\text{V}$ | 9 | 11 |

| Parameter | Sym. | Device | Min. | Typ. | Units | Test Conditions | Fig. | Note |
|--|-----------------|--|------|------|-------|---|------|------------------|
| Output High Level Common Mode Transient Immunity | CM _H | HCPL-263L HCPL-063L HCPL-260L HCPL-060L | 15 | 25 | kV/μs | V _{CC} = 3.3 V, I _F = 0 mA, V _{O(MIN)} = 2 V, R _L = 350 Ω, T _A = 25°C, V _{CM} = 1000 V and V _{CM} = 10V | 10 | 12, 14, 15 |
| Output Low Level Common Mode Transient Immunity | CM _L | HCPL-263L HCPL-063L HCPL-260L HCPL-060L | 15 | 25 | kV/μs | V _{CC} = 3.3 V, I _F = 7.5 mA, V _{O(MAX)} = 0.8 V, R _L = 350 Ω, T _A = 25°C, V _{CM} = 1000 V and V _{CM} = 10V | 10 | 13, 14, 15 |
| Output High Level Common Mode Transient Immunity | CM _H | HCPL-263L HCPL-063L HCPL-260L HCPL-060L | 10 | 15 | kV/μs | V _{CC} = 5 V, I _F = 0 mA, V _{O(MIN)} = 2 V, R _L = 350 Ω, T _A = 25°C, V _{CM} = 1000 V | 10 | 12, 14, 15 |
| Output Low Level Common Mode Transient Immunity | CM _L | HCPL-263L HCPL-063L HCPL-260L HCPL-060L | 10 | 15 | kV/μs | V _{CC} = 5 V, I _F = 7.5 mA, V _{O(MAX)} = 0.8 V, R _L = 350 Ω, T _A = 25°C, V _{CM} = 1000 V | 10 | 13, 14, 15 |

Package Characteristics

All Typicals at $T_A = 25^\circ\text{C}$.

| Parameter | Sym. | Package | Min. | Typ. | Max | Units | Test Conditions | Fig. | Note |
|--|-------------|---------------------------------|------|--------------|-----|---------------|---|------|-----------|
| Input-Output Insulation | I_{I-O}^* | Single 8-Pin DIP Single SO-8 | | | 1 | μA | 45% RH, $t = 5\text{ s}$, $V_{I-O} = 3\text{ kV DC}$, $T_A = 25^\circ\text{C}$ | | 16, 17 |
| Input-Output Momentary Withstand Voltage** | V_{ISO} | 8-Pin DIP, SO-8 | 3750 | | | V rms | RH $\leq 50\%$, $t = 1\text{ min}$, $T_A = 25^\circ\text{C}$ | | 16, 17 |
| Input-Output Resistance | R_{I-O} | 8-Pin, SO-8 | | 10^{12} | | Ω | $V_{I-O} = 500\text{ V dc}$ | | 1, 16, 19 |
| Input-Output Capacitance | C_{I-O} | 8-Pin DIP, SO-8 | | 0.6 | | pF | $f = 1\text{ MHz}$, $T_A = 25^\circ\text{C}$ | | 1, 16, 19 |
| Input-Input Leakage Current | I_{I-I} | Dual Channel | | 0.005 | | μA | RH $\leq 45\%$, $t = 5\text{ s}$, $V_{I-I} = 500\text{ V}$ | | 20 |
| Resistance (Input-Input) | R_{I-I} | Dual Channel | | 10^{11} | | Ω | | | 20 |
| Capacitance (Input-Input) | C_{I-I} | Dual 8-Pin Dip Dual SO-8 | | 0.03 0.25 | | pG | $f = 1\text{ MHz}$ | | 20 |

*The JEDEC Registration specifies 0°C to $+70^\circ\text{C}$. Avago specifies -40°C to $+85^\circ\text{C}$.

**The Input-Output Momentary Withstand Voltage is a dielectric voltage rating that should not be interpreted as an input-output continuous voltage rating. For the continuous voltage rating refer to the IEC/EN/DIN EN 60747-5-2 Insulation Characteristics Table (if applicable), your equipment level safety specification or Avago Application Note 1074 entitled "Optocoupler Input-Output Endurance Voltage."

Notes:

- Each channel.
- Peaking circuits may produce transient input currents up to 50 mA, 50 ns maximum pulse width, provided average current does not exceed 20 mA.
- Peaking circuits may produce transient input currents up to 50 mA, 50 ns maximum pulse width, provided average current does not exceed 15 mA.
- Derate linearly above $+80^\circ\text{C}$ free-air temperature at a rate of $2.7\text{ mW}/^\circ\text{C}$ for the SOIC-8 package.
- Bypassing of the power supply line is required, with a $0.1\ \mu\text{F}$ ceramic disc capacitor adjacent to each optocoupler as illustrated in Figure 11. Total lead length between both ends of the capacitor and the isolator pins should not exceed 20 mm.
- The t_{PLH} propagation delay is measured from the 3.75 mA point on the falling edge of the input pulse to the 1.5 V point on the rising edge of the output pulse.
- The t_{PHL} propagation delay is measured from the 3.75 mA point on the rising edge of the input pulse to the 1.5 V point on the falling edge of the output pulse.
- t_{PSK} is equal to the worst case difference in t_{PHL} and/or t_{PLH} that will be seen between units at any given temperature and specified test conditions.
- See test circuit for measurement details.
- The t_{ELH} enable propagation delay is measured from the 1.5 V point on the falling edge of the enable input pulse to the 1.5 V point on the rising edge of the output pulse.
- The t_{EHL} enable propagation delay is measured from the 1.5 V point on the rising edge of the enable input pulse to the 1.5 V point on the falling edge of the output pulse.
- CM_H is the maximum tolerable rate of rise on the common mode voltage to assure that the output will remain in a high logic state (i.e., $V_O > 2.0\text{ V}$).
- CM_L is the maximum tolerable rate of fall of the common mode voltage to assure that the output will remain in a low logic state (i.e., $V_O < 0.8\text{ V}$).
- For sinusoidal voltages, $(|dV_{CM}| / dt)_{\max} = \pi f_{CM} V_{CM} (p-p)$.
- No external pull up is required for a high logic state on the enable input. If the V_E pin is not used, tying V_E to V_{CC} will result in improved CMR performance. For single channel products only. See application information provided.
- Device considered a two-terminal device: pins 1, 2, 3, and 4 shorted together, and pins 5, 6, 7, and 8 shorted together.
- In accordance with UL 1577, each optocoupler is proof tested by applying an insulation test voltage $\geq 4500\text{ V rms}$ for one second (leakage detection current limit, $I_{I-O} \leq 5\ \mu\text{A}$). This test is performed before the 100% production test for partial discharge (Method b) shown in the IEC/EN/DIN EN 60747-5-2 Insulation Characteristics Table, if applicable.
- In accordance with UL 1577, each optocoupler is proof tested by applying an insulation test voltage $\geq 6000\text{ V rms}$ for one second (leakage detection current limit, $I_{I-O} \leq 5\ \mu\text{A}$). This test is performed before the 100% production test for partial discharge (Method b) shown in the IEC/EN/DIN EN 60747-5-2 Insulation Characteristics Table, if applicable.
- Measured between the LED anode and cathode shorted together and pins 5 through 8 shorted together. For dual channel products only.
- Measured between pins 1 and 2 shorted together, and pins 3 and 4 shorted together. For dual channel products only.



Figure 1. Typical high level output current vs. temperature.



Figure 2. Typical output voltage vs. forward input current.



Figure 3. Typical low level output voltage vs. temperature.



Figure 4. Typical low level output current vs. temperature.



Figure 5. Typical input diode forward characteristic.



Figure 6. Test circuit for t_{PHL} and t_{PLH} .

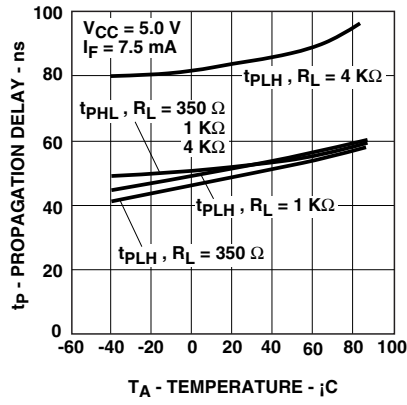


Figure 7. Typical propagation delay vs. temperature.

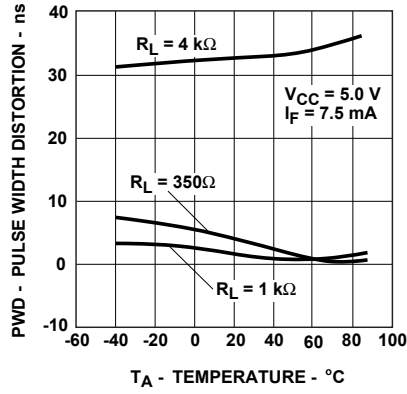
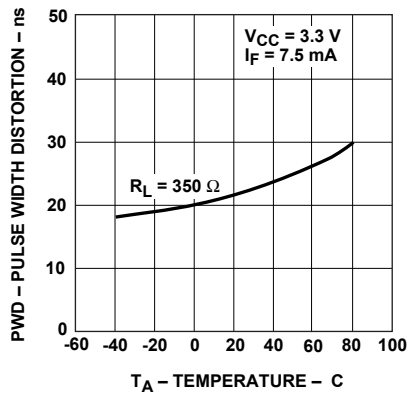


Figure 8. Typical pulse width distortion vs. temperature.



Figure 9. Test circuit for t_{EHL} and t_{ELH} .



Figure 10. Test circuit for common mode transient immunity and typical waveforms.



Figure 11. Recommended printed circuit board layout.



*DIODE D1 (1N916 OR EQUIVALENT) IS NOT REQUIRED FOR UNITS WITH OPEN COLLECTOR OUTPUT.



Figure 12. Recommended LVTTL interface circuit.

Application Information

Common-Mode Rejection for HCPL-260L Families:

Figure 13 shows the recommended drive circuit for optimal common-mode rejection performance. Two main points to note are:

1. The enable pin is tied to V_{CC} rather than floating (this applies to single-channel parts only).
2. Two LED-current setting resistors are used instead of one. This is to balance I_{LED} variation during common-mode transients.

If the enable pin is left floating, it is possible for common-mode transients to couple to the enable pin, resulting in common-mode failure. This failure mechanism only occurs when the LED is on and the output is in the Low State. It is identified as occurring when the transient output voltage rises above 0.8 V. Therefore, the enable pin should be connected to either V_{CC} or logic-level high for best common-mode performance with the output low (CMR_L). This failure mechanism is only present in single-channel parts which have the enable function.

Also, common-mode transients can capacitively couple from the LED anode (or cathode) to the output-side ground causing current to be shunted away from the LED (which can be bad if the LED is on) or conversely cause current to be injected into the LED (bad if the LED is meant to be off). Figure 14 shows the parasitic capacitances which exist between LED anode/cathode and output ground (C_{LA} and C_{LC}). Also shown in Figure 14 on the input side is an AC-equivalent circuit.

For transients occurring when the LED is on, common-mode rejection (CMR_L , since the output is in the “low” state) depends upon the amount of LED current drive (I_F). For conditions where I_F is close to the switching threshold (I_{TH}), CMR_L also depends on the extent which I_{LP} and I_{LN} balance each other. In other words, any condition where common-mode transients cause a momentary decrease in I_F will cause common-mode failure for transients which are fast enough.



* HIGHER CMR MAY BE OBTAINABLE BY CONNECTING PINS 1, 4 TO INPUT GROUND (GND1).

Figure 13. Recommended drive circuit for High-CMR.



Figure 14. AC equivalent circuit.

Likewise for common-mode transients which occur when the LED is off (i.e. CMR_H , since the output is “high”), if an imbalance between I_{LP} and I_{LN} results in a transient I_F equal to or greater than the switching threshold of the optocoupler, the transient “signal” may cause the output to spike below 2 V (which constitutes a CMR_H failure).

By using the recommended circuit in Figure 13, good CMR can be achieved. The balanced I_{LED} -setting resistors help equalize I_{LP} and I_{LN} to reduce the amount by which I_{LED} is modulated from transient coupling through C_{LA} and C_{LC} .

CMR with Other Drive Circuits

CMR performance with drive circuits other than that shown in Figure 13 may be enhanced by following these guidelines:

1. Use of drive circuits where current is shunted from the LED in the LED “off” state (as shown in Figures 15 and 16). This is beneficial for good CMR_H .
2. Use of $I_{FH} > 3.5$ mA. This is good for high CMR_L .

Figure 15 shows a circuit which can be used with any totem-pole-output TTL/LSTTL/HCMOS logic gate. The buffer PNP transistor allows the circuit to be used with logic devices which have low current-sinking capability. It also helps maintain the driving-gate power-supply current at a constant level to minimize ground shifting for other devices connected to the input-supply ground.

When using an open-collector TTL or open-drain CMOS logic gate, the circuit in Figure 16 may be used. When using a CMOS gate to drive the optocoupler, the circuit shown in Figure 17 may be used. The diode in parallel with the R_{LED} speeds the turn-off of the optocoupler LED.



Figure 15. TTL interface circuit.



Figure 16. TTL open-collector/open drain gate drive circuit.



Figure 17. CMOS gate drive circuit.

For product information and a complete list of distributors, please go to our website: www.avagotech.com

Avago, Avago Technologies, and the A logo are trademarks of Avago Technologies in the United States and other countries. Data subject to change. Copyright © 2005–2011 Avago Technologies. All rights reserved. Obsoletes AV01-0581EN AV02-0616EN - June 1, 2011



Компания «Океан Электроники» предлагает заключение долгосрочных отношений при поставках импортных электронных компонентов на взаимовыгодных условиях!

Наши преимущества:

- Поставка оригинальных импортных электронных компонентов напрямую с производств Америки, Европы и Азии, а так же с крупнейших складов мира;
- Широкая линейка поставок активных и пассивных импортных электронных компонентов (более 30 млн. наименований);
- Поставка сложных, дефицитных, либо снятых с производства позиций;
- Оперативные сроки поставки под заказ (от 5 рабочих дней);
- Экспресс доставка в любую точку России;
- Помощь Конструкторского Отдела и консультации квалифицированных инженеров;
- Техническая поддержка проекта, помощь в подборе аналогов, поставка прототипов;
- Поставка электронных компонентов под контролем ВП;
- Система менеджмента качества сертифицирована по Международному стандарту ISO 9001;
- При необходимости вся продукция военного и аэрокосмического назначения проходит испытания и сертификацию в лаборатории (по согласованию с заказчиком);
- Поставка специализированных компонентов военного и аэрокосмического уровня качества (Xilinx, Altera, Analog Devices, Intersil, Interpoint, Microsemi, Actel, Aeroflex, Peregrine, VPT, Syfer, Eurofarad, Texas Instruments, MS Kennedy, Miteq, Cobham, E2V, MA-COM, Hittite, Mini-Circuits, General Dynamics и др.);

Компания «Океан Электроники» является официальным дистрибьютором и эксклюзивным представителем в России одного из крупнейших производителей разъемов военного и аэрокосмического назначения «JONHON», а так же официальным дистрибьютором и эксклюзивным представителем в России производителя высокотехнологичных и надежных решений для передачи СВЧ сигналов «FORSTAR».



JONHON

«JONHON» (основан в 1970 г.)

Разъемы специального, военного и аэрокосмического назначения:

(Применяются в военной, авиационной, аэрокосмической, морской, железнодорожной, горно- и нефтедобывающей отраслях промышленности)

«FORSTAR» (основан в 1998 г.)

ВЧ соединители, коаксиальные кабели,
кабельные сборки и микроволновые компоненты:

(Применяются в телекоммуникациях гражданского и специального назначения, в средствах связи, РЛС, а так же военной, авиационной и аэрокосмической отраслях промышленности).



Телефон: 8 (812) 309-75-97 (многоканальный)

Факс: 8 (812) 320-03-32

Электронная почта: ocean@oceanchips.ru

Web: <http://oceanchips.ru/>

Адрес: 198099, г. Санкт-Петербург, ул. Калинина, д. 2, корп. 4, лит. А