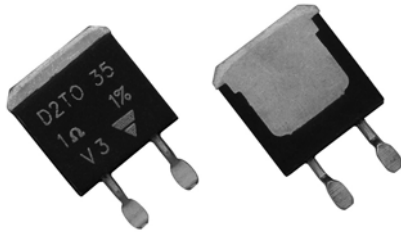
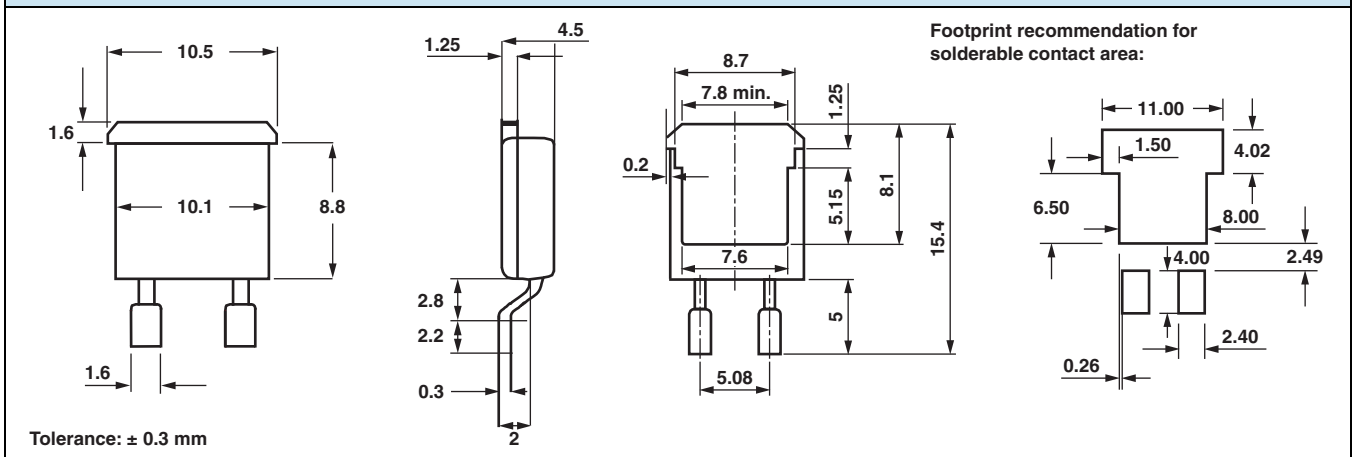


Surface Mount Power Resistor Thick Film Technology


FEATURES

- AEC-Q200 qualified
- 35 W at 25 °C case temperature
- Surface mounted resistor - TO-263 (D²PAK) style package
- Wide resistance range from 0.01 W to 550 kW
- Non inductive
- Resistor isolated from metal tab
- Solder reflow secure at 270 °C/10 s
- Material categorization: For definitions of compliance please see www.vishay.com/doc?99912


**RoHS
COMPLIANT**
DIMENSIONS in millimeters

Notes

- For the assembly on board, we recommend the lead (Pb)-free thermal profile as per J-STD-020C
- Power dissipation is 3.3 W at an ambient temperature of 25 °C when mounted on a double sided copper board using FR4 standard, 70 µm of copper, 39 mm x 30 mm x 1.6 mm

STANDARD ELECTRICAL SPECIFICATIONS

| MODEL | SIZE | RESISTANCE RANGE Ω | RATED POWER $P_{25\text{ °C}}$ W | LIMITING ELEMENT VOLTAGE U_L V | TOLERANCE ± % | TEMPERATURE COEFFICIENT ± ppm/°C | CRITICAL RESISTANCE Ω |
|--------|--------|-----------------------|--|-------------------------------------|------------------|-------------------------------------|--------------------------|
| D2TO35 | TO-263 | 0.01 to 550K | 35 | 500 | 1, 2, 5, 10 | 150, 250, 700, 1100 | 7.14K |

MECHANICAL SPECIFICATIONS

| | |
|-----------------------|---------------|
| Mechanical Protection | Molded |
| Resistive Element | Thick film |
| Substrate | Alumina |
| Connections | Tinned copper |
| Weight | 2.2 g max. |

ENVIRONMENTAL SPECIFICATIONS

| | |
|-------------------|---|
| Temperature Range | - 55 °C to 175 °C |
| Flammability | IEC 60695-11-5 2 applications 30 s separated by 60 s |

TECHNICAL SPECIFICATIONS

| | |
|--|--|
| Power Rating and Thermal Resistance of the Component | 350 W at 25 °C (case temperature) $R_{TH(j-c)}$: 4.28 °C/W |
| Temperature Coefficient Standard | See Special Feature table ± 150 ppm/°C |
| Dielectric Strength IEC 60115-1 | 2000 V_{RMS} - 1 min - 10 mA max. (between terminals and board) |
| Insulation Resistance | ≥ 10 ⁶ MΩ |
| Inductance | ≤ 0.1 µH |

DIMENSIONS

| | |
|------------------|--------------------------------------|
| Standard Package | TO-263 style (D ² PAK) |
|------------------|--------------------------------------|



| SPECIAL FEATURES | | | | |
|--|-----------------|--------------|--------------|--------------|
| Resistance Values | ≥ 0.010 | ≥ 0.045 | ≥ 0.1 | ≥ 0.5 |
| Tolerances | ± 1 % at ± 10 % | | | |
| Requirement Temperature Coefficient (TCR) (- 55 °C + 150 °C) IEC 60115-1 | ± 1100 ppm/°C | ± 700 ppm/°C | ± 250 ppm/°C | ± 150 ppm/°C |

| PERFORMANCE | | |
|---------------------------|---|------------------------------|
| TESTS | CONDITIONS | REQUIREMENTS |
| Momentary Overload | IEC 60115-1 §4.13 1.7 Pr 5 s for $R < 2 \Omega$ 1.4 Pr 5 s for $R \geq 2 \Omega$ US < 1.5 UL | ± (0.25 % + 0.005 Ω) |
| Load Life | IEC 60115-1 1000 h, 90/30 Pr at + 25 °C | ± (1 % + 0.005 Ω) |
| High Temperature Exposure | AEC-Q200 REV C conditions: MIL-STD-202 method 108 1000 h, + 175 °C, unpowered | ± (0.25 % + 0.005 Ω) |
| Temperature Cycling | Pre-conditioning 3 reflows according JESTD020D IEC 60068-2-14 test Na 1000 cycles, - 55 °C, + 175 °C Dwell time - 15 min | ± (0.5 % + 0.005 Ω) |
| Moisture Resistance | AEC-Q200 REV C conditions: MIL-STD-202 method 106 10 cycles, 24 h, unpowered | ± (0.5 % + 0.005 Ω) |
| Biased Humidity | AEC-Q200 REV C conditions: MIL-STD-202 method 103 1000 h, 85 °C, 85% RH | ± (1 % + 0.005 Ω) |
| Operational Life | AEC-Q200 REV C conditions: Pre-conditioning 3 reflows according JESTD020D MIL-STD-202 method 108 1000 h, 90/30, powered, + 125 °C | ± (1 % + 0.005 Ω) |
| ESD Human Body Model | AEC-Q200 REV C conditions: AEC-Q200-002 25 kV _{AD} | ± (0.5 % + 0.005 Ω) |
| Vibration | AEC-Q200 REV C conditions: MIL-STD-202 method 204 5 g's for 20 min, 12 cycles test from 10 Hz to 2000 Hz | ± (0.5 % + 0.005 Ω) |
| Mechanical Shock | AEC-Q200 REV C conditions: MIL-STD-202 method 213 100 g's, 6 ms, 3.75 m/s 3 shocks/direction | ± (0.5 % + 0.005 Ω) |
| Board Flex | AEC-Q200 REV C conditions: AEC-Q200-005 bending 2 mm, 60 s | ± (0.25 % + 0.01 Ω) |
| Terminal Strength | AEC-Q200 REV C conditions: AEC-Q200-006 1.8 kgf, 60 s | ± (0.25 % + 0.01 Ω) |

| ASSEMBLY SPECIFICATIONS | | |
|--|--|--|
| For the assembly on board, we recommend the lead (Pb)-free thermal profile as per J-STD-020C | | |
| TESTS | CONDITIONS | REQUIREMENTS |
| Resistance to Soldering Heat | IEC 60115-1 IEC 60068-2-58 Solder bath method: 270 °C/10 s | ± (0.5 % + 0.005 Ω) |
| Moisture Sensitivity Level (MSL) | IPC/JEDEC J-STD-020C 85 °C/85 % RH/168 h | Level: 1 + pass requirements of TCR overload and dielectric strength after MSL |



CHOICE OF THE BOARD

The user must choose the board according to the working conditions of the component (power, room temperature). Maximum working temperature must not exceed 175 °C. The dissipated power is simply calculated by the following ratio:

$$P = \frac{\Delta T}{[R_{TH(j-c)}] + [R_{TH(c-h)}] + [R_{TH(h-a)}]} \quad (1)$$

P: Expressed in W

ΔT: Difference between maximum working temperature and room temperature or fluid cooling temperature

R_{TH(j-c)}: Thermal resistance value measured between resistive layer and outer side of the resistor. It is the thermal resistance of the component: 4.28 °C/W.

R_{TH(c-h)}: Thermal resistance value measure 4.28 °C/W. Outer side of the resistor and upper side of the board. This is the thermal resistance of the solder layer.

R_{TH(h-a)}: Thermal resistance of the board.

Example:

R_{TH(c-h)} + R_{TH(h-a)} for D2TO35 power rating 3.5 W at ambient temperature + 25 °C.

Thermal resistance R_{TH(j-c)}: 4.28 °C/W

Considering equation (1) we have:

$$\Delta T = 175 \text{ °C} - 25 \text{ °C} = 150 \text{ °C}$$

$$R_{TH(j-c)} + R_{TH(c-h)} + R_{TH(h-a)} = \Delta T / P = 150 / 3.5 = 42.8 \text{ °C/W}$$

$$R_{TH(c-h)} + R_{TH(h-a)} = 42.8 \text{ °C/W} - 4.28 \text{ °C/W} = 38.52 \text{ °C/W}$$

Single Pulse:

These informations are for a single pulse on a cold resistor at 25 °C (not already used for a dissipation) and for pulses of 100 ms maximum duration.

The formula used to calculate E is:

$$E = P \times t = \frac{U^2}{R} \times t$$

with:

E (J): Pulse energy

P (W): Pulse power

t (s): Pulse duration

U (V): Pulse voltage

R (W): Resistor

The energy calculated must be less: than that allowed by the graph.

Repetitive or Superimposed Pulses:

The following formula is used to calculate the “equivalent” energy of a repetitive pulse or the “equivalent energy” of a pulse on a resistor that is already dissipating power.

$$E_c = E \times \left(1 + \frac{P_a}{P_r}\right)$$

with:

E_c (J): Equivalent pulse energy

E (J): Known pulse energy

P_r: Resistor power rating

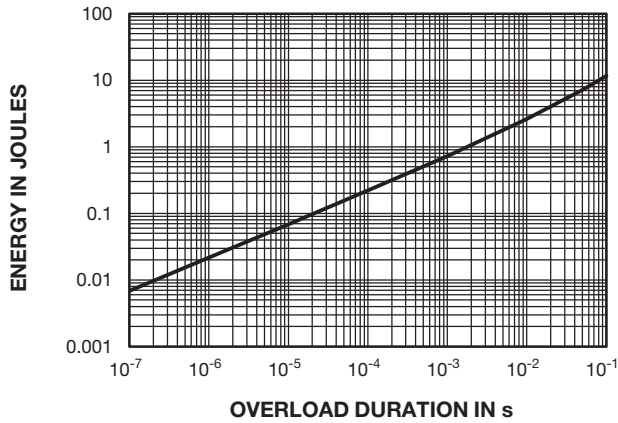
P_a: Mean power being dissipated

The energy calculated must be less than that allowed by the graph and the average power dissipated (P_a) must not exceed the continuous power of resistor.

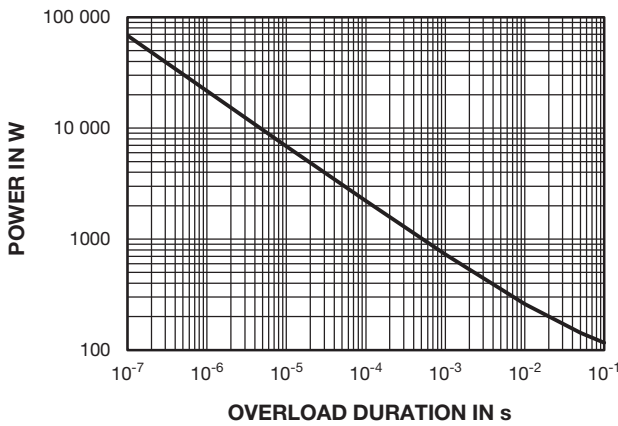
OVERLOADS

In any case the applied voltage must be lower than the maximum overload voltage of 750 V. The values indicated on the graph below are applicable to resistors in air or mounted onto a board.

ENERGY CURVE

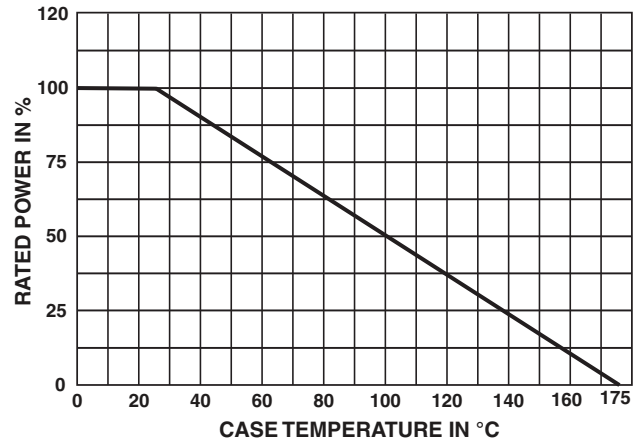


POWER CURVE



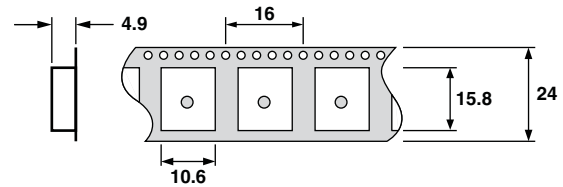
POWER RATING

The temperature of the case should be maintained within the limits specified.



PACKAGING

- Reel
- Tube
- Tape dimensions (mm) for reel:



MARKING

Model, style, resistance value (in Ω), tolerance (in %), manufacturing date, Vishay Sfernice trademark



| ORDERING INFORMATION | | | | | | |
|----------------------|-----------|-------------|------------------|---|-------------------------------------|----------------|
| D2TO | 35 | C | 100 kΩ | ± 1 % | XXX | e3 |
| MODEL | STYLE | CONNECTIONS | RESISTANCE VALUE | TOLERANCE | CUSTOM DESIGN | LEAD (Pb)-FREE |
| | | | | F = ± 1 % G = ± 2 % J = ± 5 % K = ± 10 % | Optional on request: Shape, etc. | |

| SAP PART NUMBERING GUIDELINES | | | | | | | | | | | | | | | | |
|-------------------------------|------------|--------------------------|---|---|---|---|---|---|----------------------|---|---|---|---|---|---|---|
| D | 2 | T | O | 0 | 3 | 5 | C | R | 2 | 0 | 0 | 0 | K | R | E | 3 |
| GLOBAL MODEL | SIZE | LEADS | OHMIC VALUE | | | | TOLERANCE | PACKAGING | LEAD (Pb)-FREE | | | | | | | |
| D2TO | 035 | C = Surface mount | The first four digits are significant figures and the last digit specifies the number of zeros to follow. R designates decimal point. 48R70 = 48.7 Ω 48701 = 48 700 Ω 10002 = 100 000 Ω R0100 = 0.01 Ω R6800 = 0.68 Ω 27000 = 2700 Ω = 2.7 kΩ | | | | F = 1 % G = 2 % J = 5 % K = 10 % | R = Reel 500 pieces T = Tube 50 pieces | E3 = Pure tin | | | | | | | |



Disclaimer

ALL PRODUCT, PRODUCT SPECIFICATIONS AND DATA ARE SUBJECT TO CHANGE WITHOUT NOTICE TO IMPROVE RELIABILITY, FUNCTION OR DESIGN OR OTHERWISE.

Vishay Intertechnology, Inc., its affiliates, agents, and employees, and all persons acting on its or their behalf (collectively, "Vishay"), disclaim any and all liability for any errors, inaccuracies or incompleteness contained in any datasheet or in any other disclosure relating to any product.

Vishay makes no warranty, representation or guarantee regarding the suitability of the products for any particular purpose or the continuing production of any product. To the maximum extent permitted by applicable law, Vishay disclaims (i) any and all liability arising out of the application or use of any product, (ii) any and all liability, including without limitation special, consequential or incidental damages, and (iii) any and all implied warranties, including warranties of fitness for particular purpose, non-infringement and merchantability.

Statements regarding the suitability of products for certain types of applications are based on Vishay's knowledge of typical requirements that are often placed on Vishay products in generic applications. Such statements are not binding statements about the suitability of products for a particular application. It is the customer's responsibility to validate that a particular product with the properties described in the product specification is suitable for use in a particular application. Parameters provided in datasheets and/or specifications may vary in different applications and performance may vary over time. All operating parameters, including typical parameters, must be validated for each customer application by the customer's technical experts. Product specifications do not expand or otherwise modify Vishay's terms and conditions of purchase, including but not limited to the warranty expressed therein.

Except as expressly indicated in writing, Vishay products are not designed for use in medical, life-saving, or life-sustaining applications or for any other application in which the failure of the Vishay product could result in personal injury or death. Customers using or selling Vishay products not expressly indicated for use in such applications do so at their own risk. Please contact authorized Vishay personnel to obtain written terms and conditions regarding products designed for such applications.

No license, express or implied, by estoppel or otherwise, to any intellectual property rights is granted by this document or by any conduct of Vishay. Product names and markings noted herein may be trademarks of their respective owners.

Material Category Policy

Vishay Intertechnology, Inc. hereby certifies that all its products that are identified as RoHS-Compliant fulfill the definitions and restrictions defined under Directive 2011/65/EU of The European Parliament and of the Council of June 8, 2011 on the restriction of the use of certain hazardous substances in electrical and electronic equipment (EEE) - recast, unless otherwise specified as non-compliant.

Please note that some Vishay documentation may still make reference to RoHS Directive 2002/95/EC. We confirm that all the products identified as being compliant to Directive 2002/95/EC conform to Directive 2011/65/EU.

Vishay Intertechnology, Inc. hereby certifies that all its products that are identified as Halogen-Free follow Halogen-Free requirements as per JEDEC JS709A standards. Please note that some Vishay documentation may still make reference to the IEC 61249-2-21 definition. We confirm that all the products identified as being compliant to IEC 61249-2-21 conform to JEDEC JS709A standards.

Компания «Океан Электроники» предлагает заключение долгосрочных отношений при поставках импортных электронных компонентов на взаимовыгодных условиях!

Наши преимущества:

- Поставка оригинальных импортных электронных компонентов напрямую с производств Америки, Европы и Азии, а так же с крупнейших складов мира;
- Широкая линейка поставок активных и пассивных импортных электронных компонентов (более 30 млн. наименований);
- Поставка сложных, дефицитных, либо снятых с производства позиций;
- Оперативные сроки поставки под заказ (от 5 рабочих дней);
- Экспресс доставка в любую точку России;
- Помощь Конструкторского Отдела и консультации квалифицированных инженеров;
- Техническая поддержка проекта, помощь в подборе аналогов, поставка прототипов;
- Поставка электронных компонентов под контролем ВП;
- Система менеджмента качества сертифицирована по Международному стандарту ISO 9001;
- При необходимости вся продукция военного и аэрокосмического назначения проходит испытания и сертификацию в лаборатории (по согласованию с заказчиком);
- Поставка специализированных компонентов военного и аэрокосмического уровня качества (Xilinx, Altera, Analog Devices, Intersil, Interpoint, Microsemi, Actel, Aeroflex, Peregrine, VPT, Syfer, Eurofarad, Texas Instruments, MS Kennedy, Miteq, Cobham, E2V, MA-COM, Hittite, Mini-Circuits, General Dynamics и др.);

Компания «Океан Электроники» является официальным дистрибьютором и эксклюзивным представителем в России одного из крупнейших производителей разъемов военного и аэрокосмического назначения «**JONHON**», а так же официальным дистрибьютором и эксклюзивным представителем в России производителя высокотехнологичных и надежных решений для передачи СВЧ сигналов «**FORSTAR**».



JONHON

«**JONHON**» (основан в 1970 г.)

Разъемы специального, военного и аэрокосмического назначения:

(Применяются в военной, авиационной, аэрокосмической, морской, железнодорожной, горно- и нефтедобывающей отраслях промышленности)

«**FORSTAR**» (основан в 1998 г.)

ВЧ соединители, коаксиальные кабели,
кабельные сборки и микроволновые компоненты:

(Применяются в телекоммуникациях гражданского и специального назначения, в средствах связи, РЛС, а так же военной, авиационной и аэрокосмической отраслях промышленности).



Телефон: 8 (812) 309-75-97 (многоканальный)

Факс: 8 (812) 320-03-32

Электронная почта: ocean@oceanchips.ru

Web: <http://oceanchips.ru/>

Адрес: 198099, г. Санкт-Петербург, ул. Калинина, д. 2, корп. 4, лит. А