

# MC10EL05, MC100EL05

## 5V ECL 2-Input Differential AND/NAND

The MC10EL/100EL05 is a 2-input differential AND/NAND gate. The device is functionally equivalent to the E404 device with higher performance capabilities. With propagation delays and output transition times significantly faster than the E404, the EL05 is ideally suited for those applications which require the ultimate in AC performance.

Because a negative 2-input NAND is equivalent to a 2-input OR function, the differential inputs and outputs of the device allows the EL05 to also be used as a 2-input differential OR/NOR gate.

The differential inputs employ clamp circuitry so that under open input conditions (pulled down to  $V_{EE}$ ) the input to the AND gate will be HIGH. In this way, if one set of inputs is open, the gate will remain active to the other input.

The 100 Series contains temperature compensation.

### Features

- 275 ps Propagation Delay
- ESD Protection: > 1 kV Human Body Model, > 100 V Machine Model
- PECL Mode Operating Range:  $V_{CC} = 4.2\text{ V}$  to  $5.7\text{ V}$  with  $V_{EE} = 0\text{ V}$
- NECL Mode Operating Range:  $V_{CC} = 0\text{ V}$  with  $V_{EE} = -4.2\text{ V}$  to  $-5.7\text{ V}$
- Internal Input Pulldown Resistors
- Meets or Exceeds JEDEC Spec EIA/JESD78 IC Latchup Test
- Moisture Sensitivity Level 1
- For Additional Information, see Application Note AND8003/D
- Flammability Rating: UL 94 V-0 @ 0.125 in, Oxygen Index: 28 to 34
- Transistor Count = 44 devices
- Pb-Free Packages are Available

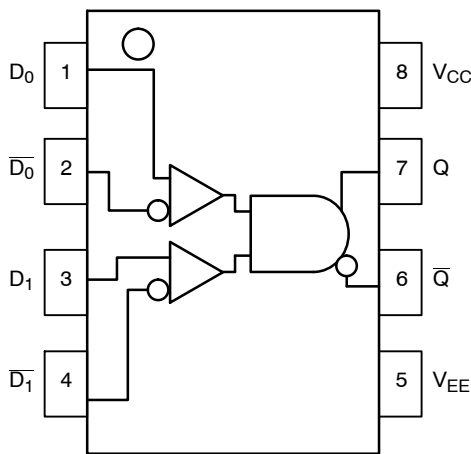


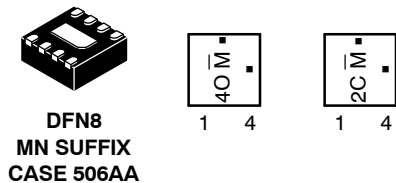
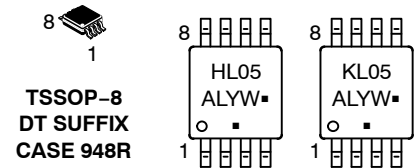
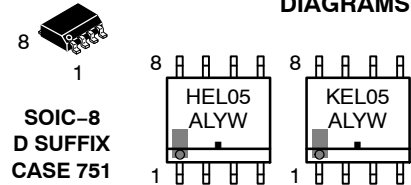
Figure 1. Logic Diagram and Pinout Assignment



ON Semiconductor®

<http://onsemi.com>

### MARKING DIAGRAMS\*



|                       |                     |
|-----------------------|---------------------|
| H = MC10              | L = Wafer Lot       |
| K = MC100             | Y = Year            |
| 4O = MC10             | W = Work Week       |
| 2C = MC100            | D = Date Code       |
| A = Assembly Location | ▪ = Pb-Free Package |

(Note: Microdot may be in either location)

\*For additional marking information, refer to Application Note AND8002/D.

### ORDERING INFORMATION

See detailed ordering and shipping information in the package dimensions section on page 6 of this data sheet.

# MC10EL05, MC100EL05

**Table 1. TRUTH TABLE**

| D0 | D1 | D0̄ | D1̄ | Q | Q̄ |
|----|----|-----|-----|---|----|
| L  | L  | H   | H   | L | H  |
| L  | H  | H   | L   | L | H  |
| H  | L  | L   | H   | L | H  |
| H  | H  | L   | L   | H | L  |

**Table 1. PIN DESCRIPTION**

| PIN              | Function   |
|------------------|--|
| D0, D0̄; D1, D1̄ | ECL Data Inputs  |
| Q, Q̄            | ECL Data Outputs   |
| V <sub>CC</sub>  | Positive Supply  |
| V <sub>EE</sub>  | Negative Supply  |
| EP               | (DFN8 only) Thermal exposed pad must be connected to a sufficient thermal conduit. Electrically connect to the most negative supply (GND) or leave unconnected, floating open. |

**Table 2. MAXIMUM RATINGS**

| Symbol           | Parameter  | Condition 1                                    | Condition 2  | Rating        | Unit         |
|------------------|--|--|--|---------------|--------------|
| V <sub>CC</sub>  | PECL Mode Power Supply                             | V <sub>EE</sub> = 0 V                          |  | 8             | V            |
| V <sub>EE</sub>  | NECL Mode Power Supply                             | V <sub>CC</sub> = 0 V                          |  | -8            | V            |
| V <sub>I</sub>   | PECL Mode Input Voltage<br>NECL Mode Input Voltage | V <sub>EE</sub> = 0 V<br>V <sub>CC</sub> = 0 V | V <sub>I</sub> ≤ V <sub>CC</sub><br>V <sub>I</sub> ≥ V <sub>EE</sub> | 6<br>-6       | V<br>V       |
| I <sub>out</sub> | Output Current                                     | Continuous<br>Surge                            |  | 50<br>100     | mA<br>mA     |
| T <sub>A</sub>   | Operating Temperature Range                        |  |  | -40 to +85    | °C           |
| T <sub>stg</sub> | Storage Temperature Range                          |  |  | -65 to +150   | °C           |
| θ <sub>JA</sub>  | Thermal Resistance (Junction-to-Ambient)           | 0 lfpm<br>500 lfpm                             | SOIC-8<br>SOIC-8   | 190<br>130    | °C/W<br>°C/W |
| θ <sub>JC</sub>  | Thermal Resistance (Junction-to-Case)              | Standard Board                                 | SOIC-8   | 41 to 44      | °C/W         |
| θ <sub>JA</sub>  | Thermal Resistance (Junction-to-Ambient)           | 0 lfpm<br>500 lfpm                             | TSSOP-8<br>TSSOP-8   | 185<br>140    | °C/W<br>°C/W |
| θ <sub>JC</sub>  | Thermal Resistance (Junction-to-Case)              | Standard Board                                 | TSSOP-8  | 41 to 44 ± 5% | °C/W         |
| θ <sub>JA</sub>  | Thermal Resistance (Junction-to-Ambient)           | 0 lfpm<br>500 lfpm                             | DFN8<br>DFN8   | 129<br>84     | °C/W<br>°C/W |
| T <sub>sol</sub> | Wave Solder  | Pb<br>Pb-Free                                  | <2 to 3 sec @ 248°C<br><2 to 3 sec @ 260°C                           | 265<br>265    | °C           |
| θ <sub>JC</sub>  | Thermal Resistance (Junction-to-Case)              | (Note 1)                                       | DFN8   | 35 to 40      | °C/W         |

Stresses exceeding Maximum Ratings may damage the device. Maximum Ratings are stress ratings only. Functional operation above the Recommended Operating Conditions is not implied. Extended exposure to stresses above the Recommended Operating Conditions may affect device reliability.

1. JEDEC standard multilayer board – 2S2P (2 signal, 2 power)

## MC10EL05, MC100EL05

**Table 3. 10EL SERIES PECL DC CHARACTERISTICS**  $V_{CC}= 5.0\text{ V}$ ;  $V_{EE}= 0.0\text{ V}$  (Note 2)

| Symbol      | Characteristic   | -40°C |      |      | 25°C |      |      | 85°C |      |      | Unit          |
|-------------|--|-------|------|------|------|------|------|------|------|------|---------------|
|             |  | Min   | Typ  | Max  | Min  | Typ  | Max  | Min  | Typ  | Max  |               |
| $I_{EE}$    | Power Supply Current   |       | 18   | 22   |      | 18   | 22   |      | 18   | 22   | mA            |
| $V_{OH}$    | Output HIGH Voltage (Note 6)   | 3920  | 4010 | 4110 | 4020 | 4105 | 4190 | 4090 | 4185 | 4280 | mV            |
| $V_{OL}$    | Output LOW Voltage (Note 3)  | 3050  | 3200 | 3350 | 3050 | 3210 | 3370 | 3050 | 3227 | 3405 | mV            |
| $V_{IH}$    | Input HIGH Voltage (Single-Ended)  | 3770  |      | 4110 | 3870 |      | 4190 | 3940 |      | 4280 | mV            |
| $V_{IL}$    | Input LOW Voltage (Single-Ended)   | 3050  |      | 3500 | 3050 |      | 3520 | 3050 |      | 3555 | mV            |
| $V_{IHCMR}$ | Input HIGH Voltage Common Mode Range (Differential Configuration) (Note 4) | 3.0   |      | 4.6  | 3.0  |      | 4.6  | 3.0  |      | 4.6  | V             |
| $I_{IH}$    | Input HIGH Current   |       |      | 150  |      |      | 150  |      |      | 150  | $\mu\text{A}$ |
| $I_{IL}$    | Input LOW Current  | 0.5   |      |      | 0.5  |      |      | 0.3  |      |      | $\mu\text{A}$ |

NOTE: Device will meet the specifications after thermal equilibrium has been established when mounted in a test socket or printed circuit board with maintained transverse airflow greater than 500 lpm. Electrical parameters are guaranteed only over the declared operating temperature range. Functional operation of the device exceeding these conditions is not implied. Device specification limit values are applied individually under normal operating conditions and not valid simultaneously.

2. Input and output parameters vary 1:1 with  $V_{CC}$ .  $V_{EE}$  can vary  $+0.25\text{ V} / -0.5\text{ V}$ .

3. Outputs are terminated through a  $50\ \Omega$  resistor to  $V_{CC} - 2.0\text{ V}$ .

4.  $V_{IHCMR}$  min varies 1:1 with  $V_{EE}$ .  $V_{IHCMR}$  max varies 1:1 with  $V_{CC}$ . The  $V_{IHCMR}$  range is referenced to the most positive side of the differential input signal. Normal operation is obtained if the HIGH level falls within the specified range and the peak-to-peak voltage lies between  $V_{PP(\text{min})}$  and  $1.0\text{ V}$ .

**Table 4. 10EL SERIES NECL DC CHARACTERISTICS**  $V_{CC}= 0\text{ V}$ ;  $V_{EE}= -5.0\text{ V}$  (Note 5)

| Symbol      | Characteristic   | -40°C |       |       | 25°C  |       |       | 85°C  |       |       | Unit          |
|-------------|--|-------|-------|-------|-------|-------|-------|-------|-------|-------|---------------|
|             |  | Min   | Typ   | Max   | Min   | Typ   | Max   | Min   | Typ   | Max   |               |
| $I_{EE}$    | Power Supply Current   |       | 18    | 22    |       | 18    | 22    |       | 18    | 22    | mA            |
| $V_{OH}$    | Output HIGH Voltage (Note 6)   | -1080 | -990  | -890  | -980  | -895  | -810  | -910  | -815  | -720  | mV            |
| $V_{OL}$    | Output LOW Voltage (Note 6)  | -1950 | -1800 | -1650 | -1950 | -1790 | -1630 | -1950 | -1773 | -1595 | mV            |
| $V_{IH}$    | Input HIGH Voltage (Single-Ended)  | -1230 |       | -890  | -1130 |       | -810  | -1060 |       | -720  | mV            |
| $V_{IL}$    | Input LOW Voltage (Single-Ended)   | -1950 |       | -1500 | -1950 |       | -1480 | -1950 |       | -1445 | mV            |
| $V_{IHCMR}$ | Input HIGH Voltage Common Mode Range (Differential Configuration) (Note 7) | -2.0  |       | -0.4  | -2.0  |       | -0.4  | -2.0  |       | -0.4  | V             |
| $I_{IH}$    | Input HIGH Current   |       |       | 150   |       |       | 150   |       |       | 150   | $\mu\text{A}$ |
| $I_{IL}$    | Input LOW Current  | 0.5   |       |       | 0.5   |       |       | 0.3   |       |       | $\mu\text{A}$ |

NOTE: Device will meet the specifications after thermal equilibrium has been established when mounted in a test socket or printed circuit board with maintained transverse airflow greater than 500 lpm. Electrical parameters are guaranteed only over the declared operating temperature range. Functional operation of the device exceeding these conditions is not implied. Device specification limit values are applied individually under normal operating conditions and not valid simultaneously.

5. Input and output parameters vary 1:1 with  $V_{CC}$ .  $V_{EE}$  can vary  $+0.25\text{ V} / -0.5\text{ V}$ .

6. Outputs are terminated through a  $50\ \Omega$  resistor to  $V_{CC} - 2.0\text{ V}$ .

7.  $V_{IHCMR}$  min varies 1:1 with  $V_{EE}$ .  $V_{IHCMR}$  max varies 1:1 with  $V_{CC}$ . The  $V_{IHCMR}$  range is referenced to the most positive side of the differential input signal. Normal operation is obtained if the HIGH level falls within the specified range and the peak-to-peak voltage lies between  $V_{PP(\text{min})}$  and  $1.0\text{ V}$ .

## MC10EL05, MC100EL05

**Table 5. 100EL SERIES PECL DC CHARACTERISTICS**  $V_{CC}= 5.0\text{ V}$ ;  $V_{EE}= 0.0\text{ V}$  (Note 8)

| Symbol      | Characteristic  | -40°C |      |      | 25°C |      |      | 85°C |      |      | Unit          |
|-------------|---|-------|------|------|------|------|------|------|------|------|---------------|
|             |   | Min   | Typ  | Max  | Min  | Typ  | Max  | Min  | Typ  | Max  |               |
| $I_{EE}$    | Power Supply Current  |       | 18   | 22   |      | 18   | 22   |      | 21   | 25   | mA            |
| $V_{OH}$    | Output HIGH Voltage (Note 9)  | 3915  | 3995 | 4120 | 3975 | 4045 | 4120 | 3975 | 4050 | 4120 | mV            |
| $V_{OL}$    | Output LOW Voltage (Note 9)   | 3170  | 3305 | 3445 | 3190 | 3295 | 3380 | 3190 | 3295 | 3380 | mV            |
| $V_{IH}$    | Input HIGH Voltage (Single-Ended)   | 3835  |      | 4120 | 3835 |      | 4120 | 3835 |      | 4120 | mV            |
| $V_{IL}$    | Input LOW Voltage (Single-Ended)  | 3190  |      | 3525 | 3190 |      | 3525 | 3190 |      | 3525 | mV            |
| $V_{IHCMR}$ | Input HIGH Voltage Common Mode Range (Differential Configuration) (Note 10) | 3.0   |      | 4.6  | 3.0  |      | 4.6  | 3.0  |      | 4.6  | V             |
| $I_{IH}$    | Input HIGH Current  |       |      | 150  |      |      | 150  |      |      | 150  | $\mu\text{A}$ |
| $I_{IL}$    | Input LOW Current   | 0.5   |      |      | 0.5  |      |      | 0.5  |      |      | $\mu\text{A}$ |

NOTE: Device will meet the specifications after thermal equilibrium has been established when mounted in a test socket or printed circuit board with maintained transverse airflow greater than 500 lpm. Electrical parameters are guaranteed only over the declared operating temperature range. Functional operation of the device exceeding these conditions is not implied. Device specification limit values are applied individually under normal operating conditions and not valid simultaneously.

8. Input and output parameters vary 1:1 with  $V_{CC}$ .  $V_{EE}$  can vary +0.8 V / -0.5 V.

9. Outputs are terminated through a 50  $\Omega$  resistor to  $V_{CC} - 2.0\text{ V}$ .

10.  $V_{IHCMR}$  min varies 1:1 with  $V_{EE}$ .  $V_{IHCMR}$  max varies 1:1 with  $V_{CC}$ . The  $V_{IHCMR}$  range is referenced to the most positive side of the differential input signal. Normal operation is obtained if the HIGH level falls within the specified range and the peak-to-peak voltage lies between  $V_{PP(\text{min})}$  and 1.0 V.

**Table 6. 100EL SERIES NECL DC CHARACTERISTICS**  $V_{CC}= 0.0\text{ V}$ ;  $V_{EE}= -5.0\text{ V}$  (Note 11)

| Symbol      | Characteristic  | -40°C |       |       | 25°C  |       |       | 85°C  |       |       | Unit          |
|-------------|---|-------|-------|-------|-------|-------|-------|-------|-------|-------|---------------|
|             |   | Min   | Typ   | Max   | Min   | Typ   | Max   | Min   | Typ   | Max   |               |
| $I_{EE}$    | Power Supply Current  |       | 18    | 22    |       | 18    | 22    |       | 21    | 25    | mA            |
| $V_{OH}$    | Output HIGH Voltage (Note 12)   | -1085 | -1005 | -880  | -1025 | -955  | -880  | -1025 | -955  | -880  | mV            |
| $V_{OL}$    | Output LOW Voltage (Note 12)  | -1830 | -1695 | -1555 | -1810 | -1705 | -1620 | -1810 | -1705 | -1620 | mV            |
| $V_{IH}$    | Input HIGH Voltage (Single-Ended)   | -1165 |       | -880  | -1165 |       | -880  | -1165 |       | -880  | mV            |
| $V_{IL}$    | Input LOW Voltage (Single-Ended)  | -1810 |       | -1475 | -1810 |       | -1475 | -1810 |       | -1475 | mV            |
| $V_{IHCMR}$ | Input HIGH Voltage Common Mode Range (Differential Configuration) (Note 13) | -2.0  |       | -0.4  | -2.0  |       | -0.4  | -2.0  |       | -0.4  | V             |
| $I_{IH}$    | Input HIGH Current  |       |       | 150   |       |       | 150   |       |       | 150   | $\mu\text{A}$ |
| $I_{IL}$    | Input LOW Current   | 0.5   |       |       | 0.5   |       |       | 0.5   |       |       | $\mu\text{A}$ |

NOTE: Device will meet the specifications after thermal equilibrium has been established when mounted in a test socket or printed circuit board with maintained transverse airflow greater than 500 lpm. Electrical parameters are guaranteed only over the declared operating temperature range. Functional operation of the device exceeding these conditions is not implied. Device specification limit values are applied individually under normal operating conditions and not valid simultaneously.

11. Input and output parameters vary 1:1 with  $V_{CC}$ .  $V_{EE}$  can vary +0.8 V / -0.5 V.

12. Outputs are terminated through a 50  $\Omega$  resistor to  $V_{CC} - 2.0\text{ V}$ .

13.  $V_{IHCMR}$  min varies 1:1 with  $V_{EE}$ .  $V_{IHCMR}$  max varies 1:1 with  $V_{CC}$ . The  $V_{IHCMR}$  range is referenced to the most positive side of the differential input signal. Normal operation is obtained if the HIGH level falls within the specified range and the peak-to-peak voltage lies between  $V_{PP(\text{min})}$  and 1.0 V.

# MC10EL05, MC100EL05

**Table 7. AC CHARACTERISTICS**  $V_{CC} = 5.0\text{ V}$ ;  $V_{EE} = 0\text{ V}$  or  $V_{CC} = 0\text{ V}$ ;  $V_{EE} = -5.0\text{ V}$  (Note 14)

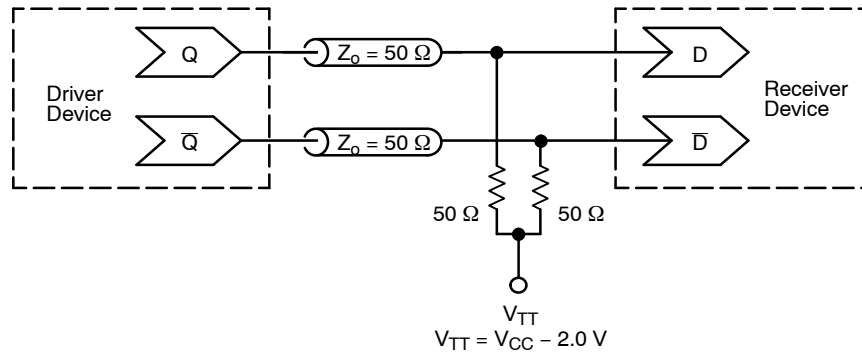
| Symbol                               | Characteristic                          | -40°C |     |      | 25°C |     |      | 85°C |     |      | Unit |
|--------------------------------------|---|-------|-----|------|------|-----|------|------|-----|------|------|
|                                      |   | Min   | Typ | Max  | Min  | Typ | Max  | Min  | Typ | Max  |      |
| $f_{\max}$                           | Maximum Toggle Frequency                |       | TBD |      |      | TBD |      |      | TBD |      | GHz  |
| $t_{\text{PLH}}$<br>$t_{\text{PHL}}$ | Propagation Delay to Output             | 135   | 260 | 440  | 185  | 275 | 390  | 215  | 305 | 420  | ps   |
| $V_{\text{PP}}$                      | Input Swing (Note 15)                   | 150   |     | 1000 | 150  |     | 1000 | 150  |     | 1000 | mV   |
| $t_{\text{JITTER}}$                  | Cycle-to-Cycle Jitter                   |       | TBD |      |      | TBD |      |      | TBD |      | ps   |
| $t_r$<br>$t_f$                       | Output Rise/Fall Times Q<br>(20% - 80%) | 100   | 225 | 350  | 100  | 225 | 350  | 100  | 225 | 350  | ps   |

NOTE: Device will meet the specifications after thermal equilibrium has been established when mounted in a test socket or printed circuit board with maintained transverse airflow greater than 500 lpm. Electrical parameters are guaranteed only over the declared operating temperature range. Functional operation of the device exceeding these conditions is not implied. Device specification limit values are applied individually under normal operating conditions and not valid simultaneously.

14. 10 Series:  $V_{EE}$  can vary +0.25 V / -0.5 V.

100 Series:  $V_{EE}$  can vary +0.8 V / -0.5 V.

15.  $V_{\text{PP}(\text{min})}$  is minimum input swing for which AC parameters guaranteed. The device has a DC gain of  $\approx 40$ .



**Figure 2. Typical Termination for Output Driver and Device Evaluation**  
(See Application Note AND8020/D – Termination of ECL Logic Devices.)

## MC10EL05, MC100EL05

### ORDERING INFORMATION

| Device         | Package              | Shipping†          |
|----------------|----------------------|--------------------|
| MC10EL05D      | SOIC-8               | 98 Units / Rail    |
| MC10EL05DG     | SOIC-8<br>(Pb-Free)  | 98 Units / Rail    |
| MC10EL05DR2    | SOIC-8               | 2500 / Tape & Reel |
| MC10EL05DR2G   | SOIC-8<br>(Pb-Free)  | 2500 / Tape & Reel |
| MC10EL05DT     | TSSOP-8              | 100 Units / Rail   |
| MC10EL05DTG    | TSSOP-8<br>(Pb-Free) | 100 Units / Rail   |
| MC10EL05DTR2   | TSSOP-8              | 2500 / Tape & Reel |
| MC10EL05DTR2G  | TSSOP-8<br>(Pb-Free) | 2500 / Tape & Reel |
| MC10EL05MNR4   | DFN8                 | 1000 / Tape & Reel |
| MC10EL05MNR4G  | DFN8<br>(Pb-Free)    | 1000 / Tape & Reel |
| MC100EL05D     | SOIC-8               | 98 Units / Rail    |
| MC100EL05DG    | SOIC-8<br>(Pb-Free)  | 98 Units / Rail    |
| MC100EL05DR2   | SOIC-8               | 2500 / Tape & Reel |
| MC100EL05DR2G  | SOIC-8<br>(Pb-Free)  | 2500 / Tape & Reel |
| MC100EL05DT    | TSSOP-8              | 100 Units / Rail   |
| MC100EL05DTG   | TSSOP-8<br>(Pb-Free) | 100 Units / Rail   |
| MC100EL05DTR2  | TSSOP-8              | 2500 / Tape & Reel |
| MC100EL05DTR2G | TSSOP-8<br>(Pb-Free) | 2500 / Tape & Reel |
| MC100EL05MNR4  | DFN8                 | 1000 / Tape & Reel |
| MC100EL05MNR4G | DFN8<br>(Pb-Free)    | 1000 / Tape & Reel |

†For information on tape and reel specifications, including part orientation and tape sizes, please refer to our Tape and Reel Packaging Specifications Brochure, BRD8011/D.

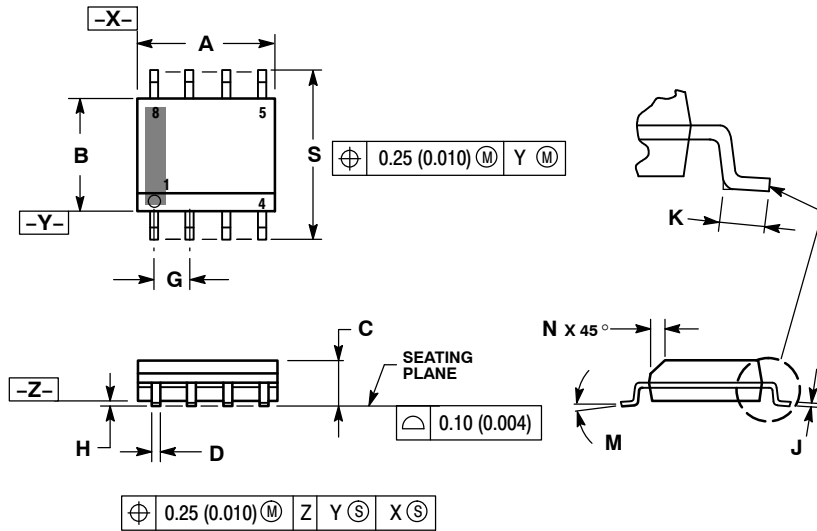
#### Resource Reference of Application Notes

- AN1405/D** – ECL Clock Distribution Techniques
- AN1406/D** – Designing with PECL (ECL at +5.0 V)
- AN1503/D** – ECLinPS™ I/O SPICE Modeling Kit
- AN1504/D** – Metastability and the ECLinPS Family
- AN1568/D** – Interfacing Between LVDS and ECL
- AN1672/D** – The ECL Translator Guide
- AND8001/D** – Odd Number Counters Design
- AND8002/D** – Marking and Date Codes
- AND8020/D** – Termination of ECL Logic Devices
- AND8066/D** – Interfacing with ECLinPS
- AND8090/D** – AC Characteristics of ECL Devices

# MC10EL05, MC100EL05

## PACKAGE DIMENSIONS

SOIC-8 NB  
CASE 751-07  
ISSUE AH

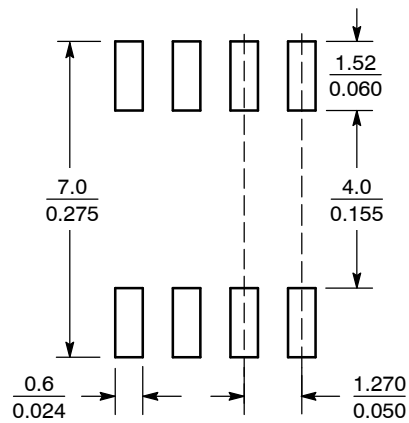


NOTES:

1. DIMENSIONING AND TOLERANCING PER ANSI Y14.5M, 1982.
2. CONTROLLING DIMENSION: MILLIMETER.
3. DIMENSION A AND B DO NOT INCLUDE MOLD PROTRUSION.
4. MAXIMUM MOLD PROTRUSION 0.15 (0.006) PER SIDE.
5. DIMENSION D DOES NOT INCLUDE DAMBAR PROTRUSION. ALLOWABLE DAMBAR PROTRUSION SHALL BE 0.127 (0.005) TOTAL IN EXCESS OF THE D DIMENSION AT MAXIMUM MATERIAL CONDITION.
6. 751-01 THRU 751-06 ARE OBSOLETE. NEW STANDARD IS 751-07.

| DIM | MILLIMETERS |      | INCHES    |       |
|-----|-------------|------|-----------|-------|
|     | MIN         | MAX  | MIN       | MAX   |
| A   | 4.80        | 5.00 | 0.189     | 0.197 |
| B   | 3.80        | 4.00 | 0.150     | 0.157 |
| C   | 1.35        | 1.75 | 0.053     | 0.069 |
| D   | 0.33        | 0.51 | 0.013     | 0.020 |
| G   | 1.27 BSC    |      | 0.050 BSC |       |
| H   | 0.10        | 0.25 | 0.004     | 0.010 |
| J   | 0.19        | 0.25 | 0.007     | 0.010 |
| K   | 0.40        | 1.27 | 0.016     | 0.050 |
| M   | 0°          | 8°   | 0°        | 8°    |
| N   | 0.25        | 0.50 | 0.010     | 0.020 |
| S   | 5.80        | 6.20 | 0.228     | 0.244 |

### SOLDERING FOOTPRINT\*



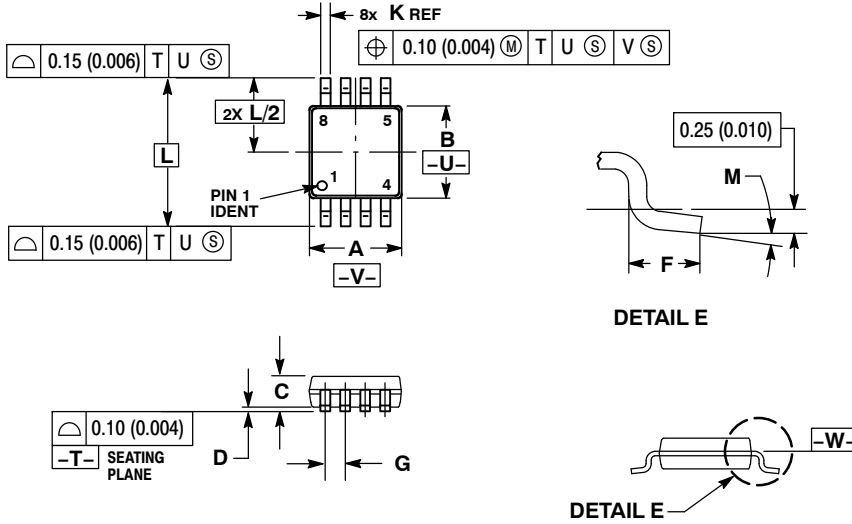
SCALE 6:1  $\left(\frac{\text{mm}}{\text{inches}}\right)$

\*For additional information on our Pb-Free strategy and soldering details, please download the ON Semiconductor Soldering and Mounting Techniques Reference Manual, SOLDERRM/D.

# MC10EL05, MC100EL05

## PACKAGE DIMENSIONS

TSSOP-8  
DT SUFFIX  
PLASTIC TSSOP PACKAGE  
CASE 948R-02  
ISSUE A



- NOTES:
1. DIMENSIONING AND TOLERANCING PER ANSI Y14.5M, 1982.
  2. CONTROLLING DIMENSION: MILLIMETER.
  3. DIMENSION A DOES NOT INCLUDE MOLD FLASH. PROTRUSIONS OR GATE BURRS. MOLD FLASH OR GATE BURRS SHALL NOT EXCEED 0.15 (0.006) PER SIDE.
  4. DIMENSION B DOES NOT INCLUDE INTERLEAD FLASH OR PROTRUSION. INTERLEAD FLASH OR PROTRUSION SHALL NOT EXCEED 0.25 (0.010) PER SIDE.
  5. TERMINAL NUMBERS ARE SHOWN FOR REFERENCE ONLY.
  6. DIMENSION A AND B ARE TO BE DETERMINED AT DATUM PLANE -W-.

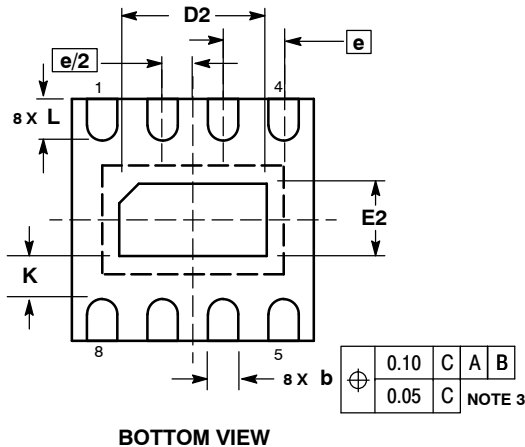
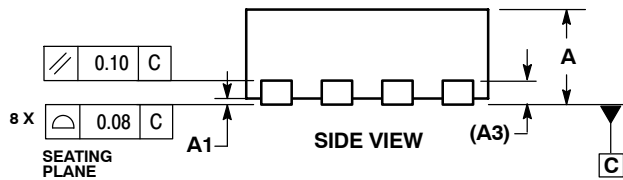
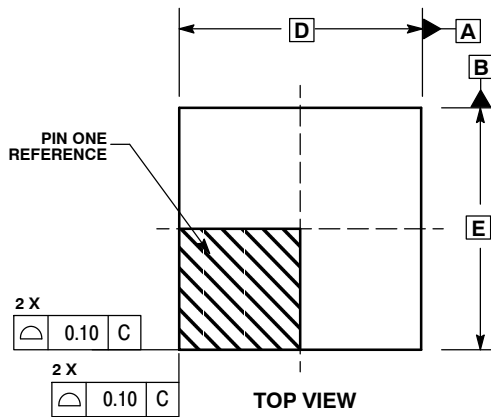
| DIM | MILLIMETERS |      | INCHES    |       |
|-----|-------------|------|-----------|-------|
|     | MIN         | MAX  | MIN       | MAX   |
| A   | 2.90        | 3.10 | 0.114     | 0.122 |
| B   | 2.90        | 3.10 | 0.114     | 0.122 |
| C   | 0.80        | 1.10 | 0.031     | 0.043 |
| D   | 0.05        | 0.15 | 0.002     | 0.006 |
| F   | 0.40        | 0.70 | 0.016     | 0.028 |
| G   | 0.65 BSC    |      | 0.026 BSC |       |
| K   | 0.25        | 0.40 | 0.010     | 0.016 |
| L   | 4.90 BSC    |      | 0.193 BSC |       |
| M   | 0°          | 6°   | 0°        | 6°    |



# MC10EL05, MC100EL05

## PACKAGE DIMENSIONS

DFN8  
CASE 506AA-01  
ISSUE D




### NOTES:

1. DIMENSIONING AND TOLERANCING PER ASME Y14.5M, 1994 .
2. CONTROLLING DIMENSION: MILLIMETERS.
3. DIMENSION b APPLIES TO PLATED TERMINAL AND IS MEASURED BETWEEN 0.25 AND 0.30 MM FROM TERMINAL
4. COPLANARITY APPLIES TO THE EXPOSED PAD AS WELL AS THE TERMINALS.

| DIM | MILLIMETERS |      |
|-----|-------------|------|
|     | MIN         | MAX  |
| A   | 0.80        | 1.00 |
| A1  | 0.00        | 0.05 |
| A3  | 0.20 REF    |      |
| b   | 0.20        | 0.30 |
| D   | 2.00 BSC    |      |
| D2  | 1.10        | 1.30 |
| E   | 2.00 BSC    |      |
| E2  | 0.70        | 0.90 |
| e   | 0.50 BSC    |      |
| K   | 0.20        | ---  |
| L   | 0.25        | 0.35 |

ECLinPS is a trademark of Semiconductor Components INdustries, LLC (SCILLC).

**ON Semiconductor** and  are registered trademarks of Semiconductor Components Industries, LLC (SCILLC). SCILLC reserves the right to make changes without further notice to any products herein. SCILLC makes no warranty, representation or guarantee regarding the suitability of its products for any particular purpose, nor does SCILLC assume any liability arising out of the application or use of any product or circuit, and specifically disclaims any and all liability, including without limitation special, consequential or incidental damages. "Typical" parameters which may be provided in SCILLC data sheets and/or specifications can and do vary in different applications and actual performance may vary over time. All operating parameters, including "Typicals" must be validated for each customer application by customer's technical experts. SCILLC does not convey any license under its patent rights nor the rights of others. SCILLC products are not designed, intended, or authorized for use as components in systems intended for surgical implant into the body, or other applications intended to support or sustain life, or for any other application in which the failure of the SCILLC product could create a situation where personal injury or death may occur. Should Buyer purchase or use SCILLC products for any such unintended or unauthorized application, Buyer shall indemnify and hold SCILLC and its officers, employees, subsidiaries, affiliates, and distributors harmless against all claims, costs, damages, and expenses, and reasonable attorney fees arising out of, directly or indirectly, any claim of personal injury or death associated with such unintended or unauthorized use, even if such claim alleges that SCILLC was negligent regarding the design or manufacture of the part. SCILLC is an Equal Opportunity/Affirmative Action Employer. This literature is subject to all applicable copyright laws and is not for resale in any manner.

### PUBLICATION ORDERING INFORMATION

**LITERATURE FULFILLMENT:**  
Literature Distribution Center for ON Semiconductor  
P.O. Box 5163, Denver, Colorado 80217 USA  
**Phone:** 303-675-2175 or 800-344-3860 Toll Free USA/Canada  
**Fax:** 303-675-2176 or 800-344-3867 Toll Free USA/Canada  
**Email:** orderlit@onsemi.com

**N. American Technical Support:** 800-282-9855 Toll Free  
USA/Canada  
**Europe, Middle East and Africa Technical Support:**  
Phone: 421 33 790 2910  
**Japan Customer Focus Center**  
Phone: 81-3-5773-3850

**ON Semiconductor Website:** [www.onsemi.com](http://www.onsemi.com)  
**Order Literature:** <http://www.onsemi.com/orderlit>

For additional information, please contact your local Sales Representative

Компания «Океан Электроники» предлагает заключение долгосрочных отношений при поставках импортных электронных компонентов на взаимовыгодных условиях!

Наши преимущества:

- Поставка оригинальных импортных электронных компонентов напрямую с производств Америки, Европы и Азии, а так же с крупнейших складов мира;
- Широкая линейка поставок активных и пассивных импортных электронных компонентов (более 30 млн. наименований);
- Поставка сложных, дефицитных, либо снятых с производства позиций;
- Оперативные сроки поставки под заказ (от 5 рабочих дней);
- Экспресс доставка в любую точку России;
- Помощь Конструкторского Отдела и консультации квалифицированных инженеров;
- Техническая поддержка проекта, помощь в подборе аналогов, поставка прототипов;
- Поставка электронных компонентов под контролем ВП;
- Система менеджмента качества сертифицирована по Международному стандарту ISO 9001;
- При необходимости вся продукция военного и аэрокосмического назначения проходит испытания и сертификацию в лаборатории (по согласованию с заказчиком);
- Поставка специализированных компонентов военного и аэрокосмического уровня качества (Xilinx, Altera, Analog Devices, Intersil, Interpoint, Microsemi, Actel, Aeroflex, Peregrine, VPT, Syfer, Eurofarad, Texas Instruments, MS Kennedy, Miteq, Cobham, E2V, MA-COM, Hittite, Mini-Circuits, General Dynamics и др.);

Компания «Океан Электроники» является официальным дистрибьютором и эксклюзивным представителем в России одного из крупнейших производителей разъемов военного и аэрокосмического назначения «JONHON», а так же официальным дистрибьютором и эксклюзивным представителем в России производителя высокотехнологичных и надежных решений для передачи СВЧ сигналов «FORSTAR».



## JONHON

«JONHON» (основан в 1970 г.)

Разъемы специального, военного и аэрокосмического назначения:

(Применяются в военной, авиационной, аэрокосмической, морской, железнодорожной, горно- и нефтедобывающей отраслях промышленности)

«FORSTAR» (основан в 1998 г.)

ВЧ соединители, коаксиальные кабели, кабельные сборки и микроволновые компоненты:

(Применяются в телекоммуникациях гражданского и специального назначения, в средствах связи, РЛС, а так же военной, авиационной и аэрокосмической отраслях промышленности).



Телефон: 8 (812) 309-75-97 (многоканальный)

Факс: 8 (812) 320-03-32

Электронная почта: [ocean@oceanchips.ru](mailto:ocean@oceanchips.ru)

Web: <http://oceanchips.ru/>

Адрес: 198099, г. Санкт-Петербург, ул. Калинина, д. 2, корп. 4, лит. А