



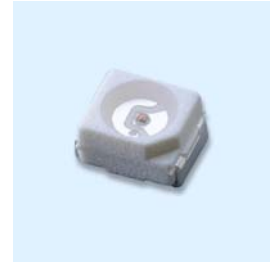
# Technical Data Sheet

## Top Infrared LED

### IR67-21C/TR8

#### Features

- Compatible with infrared and vapor phase reflow solder process.
- Low forward voltage.
- View angle 120°
- Pb free
- The product itself will remain within RoHS compliant version.



#### Descriptions

- IR67-21C/TR8 is an infrared emitting diode in miniature SMD package which is molded in a water clear plastic with flat top view lens. The device is spectrally matched with silicon photodiode and phototransistor.

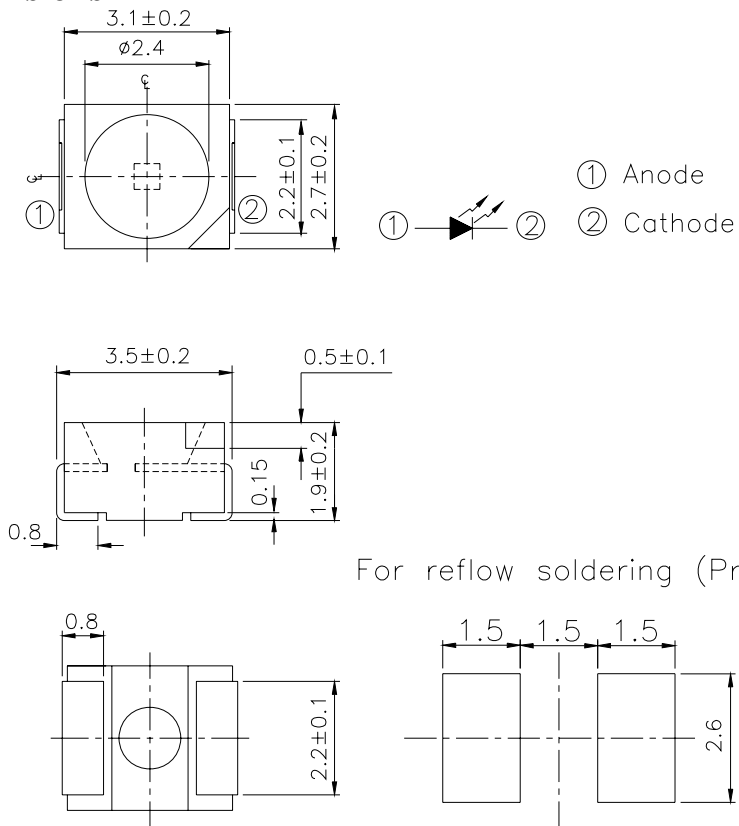
#### Applications

- Sensor
- Optoelectronic switch
- Camera
- VCR
- Video
- Smoke detector

#### Device Selection Guide

| LED Part No. | Chip     | Lens Color  |
|--------------|----------|-------------|
|              | Material |             |
| IR67-21C/TR8 | GaAlAs   | Water clear |

**Package Dimensions**



- Notes:** 1.All dimensions are in millimeters  
 2.Tolerances unless dimensions  $\pm 0.1$ mm

**Absolute Maximum Ratings (Ta=25°C)**

| Parameter   | Symbol      | Rating     | Units |
|---|-------------|------------|-------|
| Continuous Forward Current                                  | $I_F$       | 65         | mA    |
| Peak Forward Current *1                                     | $I_{FP}$    | 1.0        | A     |
| Reverse Voltage   | $V_R$       | 5          | V     |
| Operating Temperature                                       | $T_{opr}$   | -40~ +85   | °C    |
| Storage Temperature   | $T_{stg}$   | -40 ~ +100 | °C    |
| Soldering Temperature *2                                    | $T_{sol}$   | 260        | °C    |
| Power Dissipation at(or below)<br>25°C Free Air Temperature | $P_d$       | 130        | mW    |
| Temperature resistance junction ambient                     | $R_{thj-a}$ | 400        | K/W   |

**Notes:** \*1: $I_{FP}$  Conditions--Pulse Width  $\leq 100 \mu s$  and Duty  $\leq 1\%$ .

\*2:Soldering time  $\leq 5$  seconds.

**Electro-Optical Characteristics (Ta=25°C)**

| Parameter                          | Symbol         | Condition  | Min.    | Typ. | Max. | Units           |
|------------------------------------|----------------|--|---------|------|------|-----------------|
| Radiant Intensity                  | I <sub>E</sub> | I <sub>F</sub> =20mA                                     | 1.0     | 1.5  | --   | mW /sr          |
|                                    |                | I <sub>F</sub> =100mA<br>Pulse Width ≤ 100 μs ,Duty ≤ 1% | 4       | 8    | 20   |                 |
| Total Radiated Power               | P <sub>o</sub> | I <sub>F</sub> =100mA                                    | --      | 20   | --   | mW              |
| Peak Wavelength                    | λ <sub>p</sub> | I <sub>F</sub> =20mA                                     | --      | 940  | --   | nm              |
| Spectral Bandwidth                 | Δ λ            | I <sub>F</sub> =20mA                                     | --      | 45   | --   | nm              |
| Forward Voltage                    | V <sub>F</sub> | I <sub>F</sub> =20mA                                     | --      | 1.2  | 1.5  | V               |
|                                    |                | I <sub>F</sub> =100mA<br>Pulse Width ≤ 100 μs ,Duty ≤ 1% | --      | 1.4  | 1.8  |                 |
| Reverse Current                    | I <sub>R</sub> | V <sub>R</sub> =5V                                       | --      | --   | 10   | μA              |
| View Angle                         | 2 θ 1/2        | I <sub>F</sub> =20mA                                     | --      | 120  | --   | deg             |
| Rise Time                          | tr             | I <sub>F</sub> =100mA                                    | --      | 800  | --   | ns              |
| Fall Time                          | tr             | I <sub>F</sub> =100mA                                    | --      | 400  | ---  | ns              |
| Active chip area                   | A              | ----   | 0.09    |      |      | mm <sup>2</sup> |
| Dimensions of the active chip area | L×W            | ----   | 0.3×0.3 |      |      | mm×mm           |

**Rank**

 Condition : I<sub>F</sub>=20mA

Unit : mW/sr

| Bin Number | G   | H   |
|------------|-----|-----|
| Min        | 1.0 | 2.0 |
| Max        | 2.5 | 3.5 |

**Typical Electro-Optical Characteristics Curves**

Fig.1 Forward Current vs. Ambient Temperature

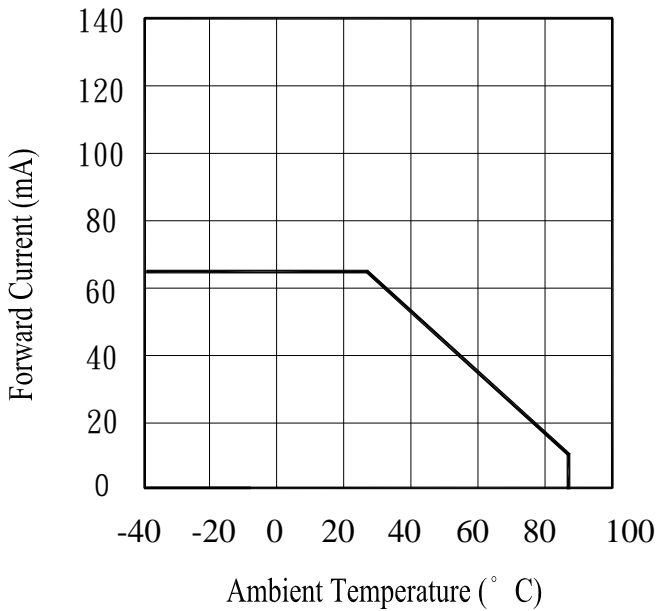


Fig.2 Spectral Distribution

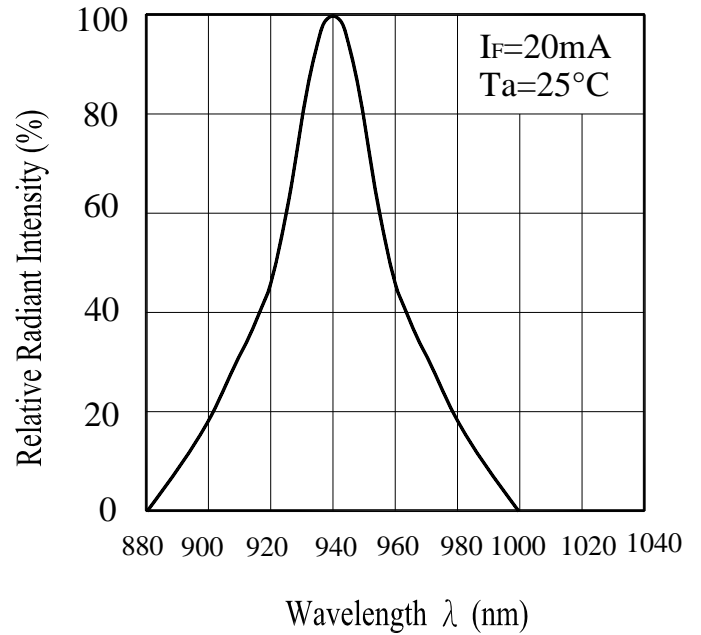


Fig.3 Peak Emission Wavelength vs. Ambient Temperature

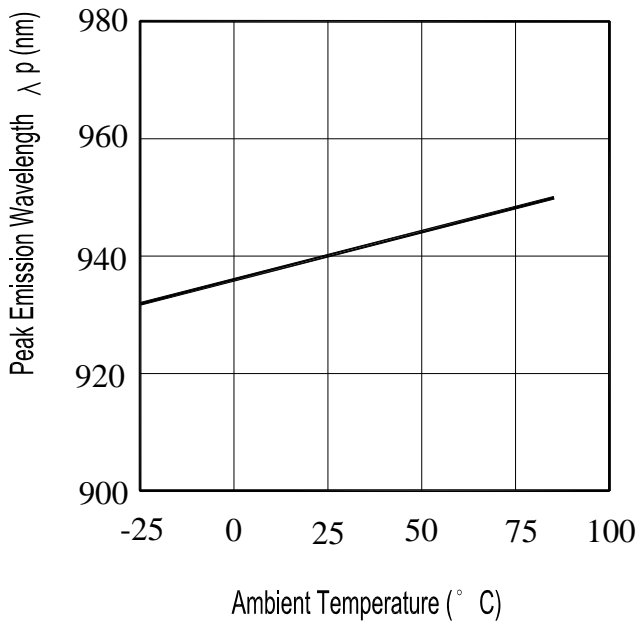
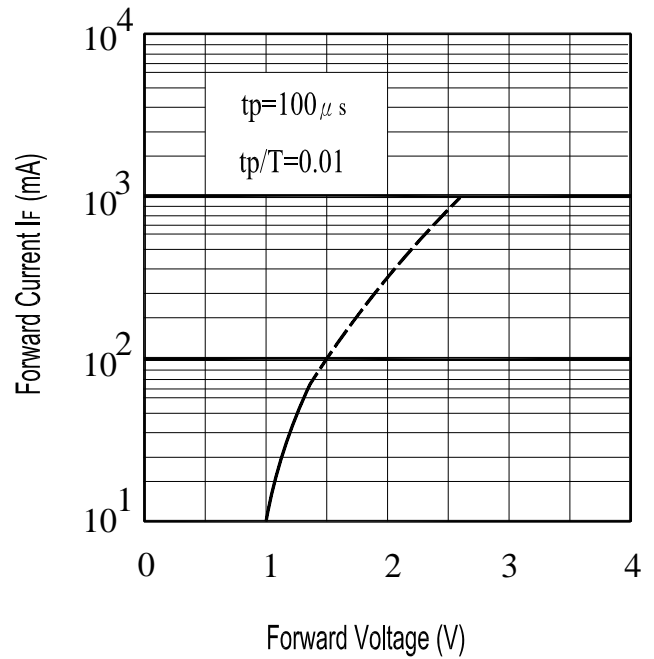
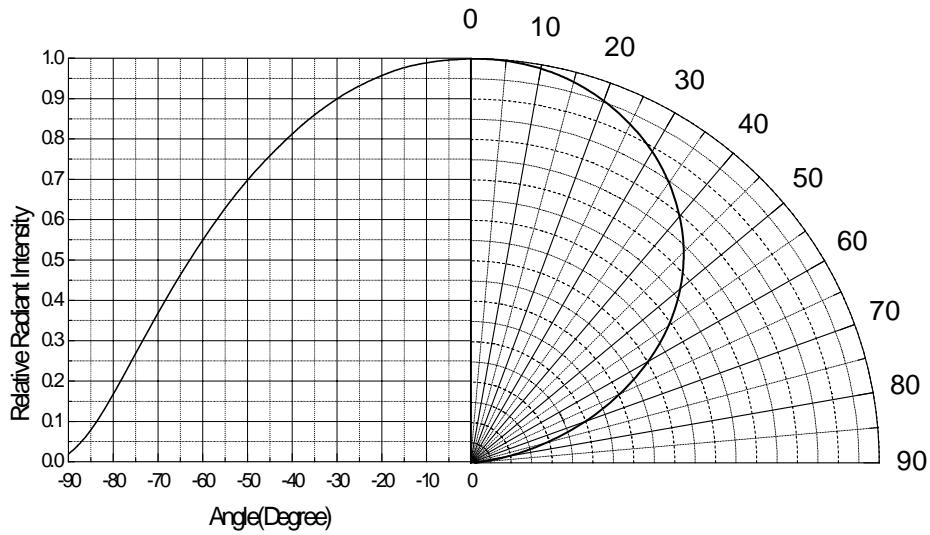


Fig.4 Forward Current vs. Forward Voltage



**Typical Electro-Optical Characteristics Curves**

Fig.5 Relative Radiant Intensity vs.  
Angular Displacement



## Precautions For Use

### 1. Over-current-proof

Customer must apply resistors for protection , otherwise slight voltage shift will cause big current change ( Burn out will happen ).

### 2. Storage

2.1 Do not open moisture proof bag before the products are ready to use.

2.2 Before opening the package, the LEDs should be kept at 30°C or less and 90%RH or less.

2.3 The LEDs should be used within a year.

2.4 After opening the package, the LEDs should be kept at 30°C or less and 70%RH or less.

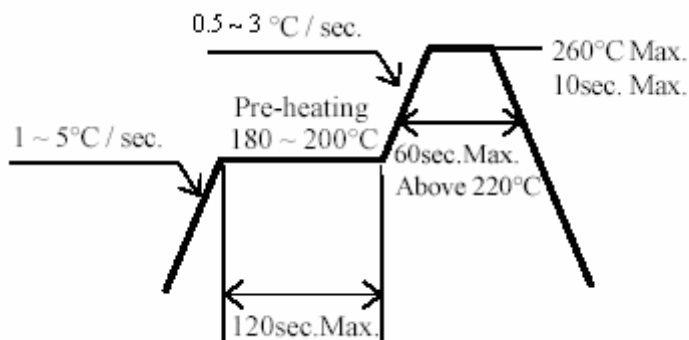
2.5 The LEDs should be used within 168 hours (7 days) after opening the package.

2.6 If the moisture absorbent material (silica gel) has faded away or the LEDs have exceeded the storage time, baking treatment should be performed using the following conditions.

Baking treatment : 60±5°C for 24 hours.

### 3. Soldering Condition

#### 3.1 Pb-free solder temperature profile



3.2 Reflow soldering should not be done more than two times.

3.3 When soldering, do not put stress on the LEDs during heating.

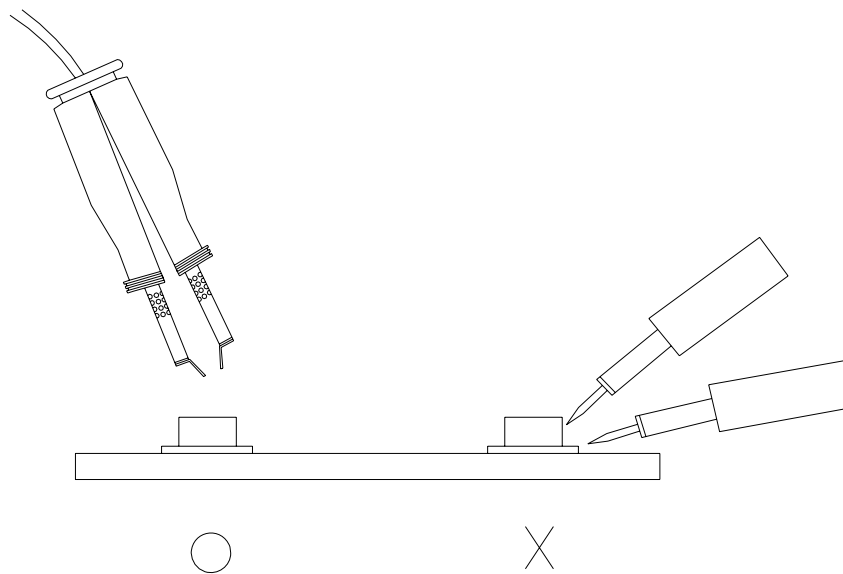
3.4 After soldering, do not warp the circuit board.

#### 4.Soldering Iron

Each terminal is to go to the tip of soldering iron temperature less than 350°C for 3 seconds within once in less than the soldering iron capacity 25W. Leave two seconds and more intervals, and do soldering of each terminal. Be careful because the damage of the product is often started at the time of the hand solder.

#### 5.Repairing

Repair should not be done after the LEDs have been soldered. When repairing is unavoidable, a double-head soldering iron should be used (as below figure). It should be confirmed beforehand whether the characteristics of the LEDs will or will not be damaged by repairing.



**Reliability Test Item And Condition**

The reliability of products shall be satisfied with items listed below.

Confidence level : 90%

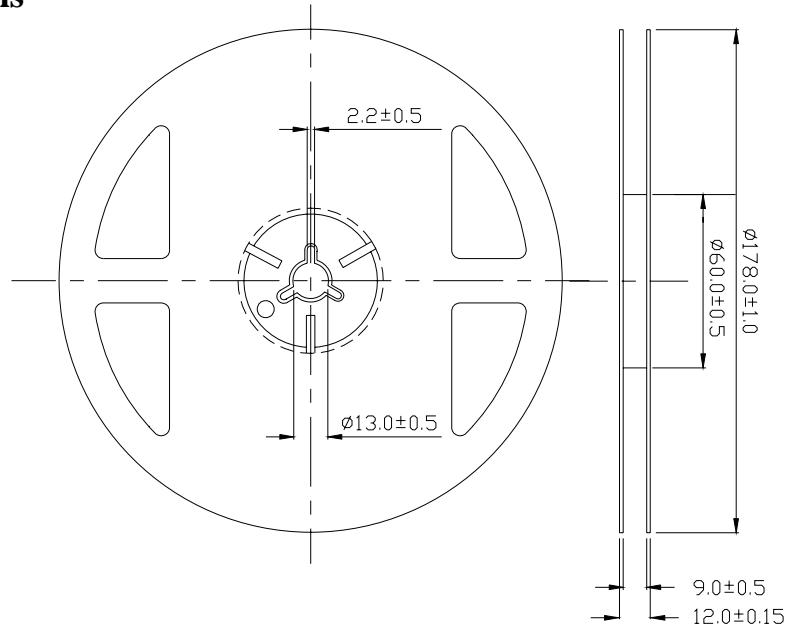
LTPD : 10%

| NO. | Item                               | Test Conditions  | Test Hours/<br>Cycles | Sample<br>Sizes | Failure<br>Judgement<br>Criteria                   | Ac/Re |
|-----|------------------------------------|--|-----------------------|-----------------|--|-------|
| 1   | REFLOW Soldering                   | TEMP. : 260°C±5°C<br>10secs  | 6Mins                 | 22pcs           | $I_R \geq U \times 2$                              | 0/1   |
| 2   | Temperature Cycle                  | H : +100°C    15mins<br>↑          5mins<br>↓          15mins<br>L : -40°C | 50Cycles              | 22pcs           | $I_e \leq L \times 0.8$<br>$V_F \geq U \times 1.2$ | 0/1   |
| 3   | Thermal Shock                      | H : +100°C    5mins<br>↑          10secs<br>↓          5mins<br>L : -10°C  | 50Cycles              | 22pcs           | U : Upper<br>Specification<br>Limit                | 0/1   |
| 4   | High Temperature<br>Storage        | TEMP. : +100°C   | 1000hrs               | 22pcs           | L : Lower<br>Specification<br>Limit                | 0/1   |
| 5   | Low Temperature<br>Storage         | TEMP. : -40°C  | 1000hrs               | 22pcs           |  | 0/1   |
| 6   | DC Operating Life                  | $I_F = 20mA$   | 1000hrs               | 22pcs           |  | 0/1   |
| 7   | High Temperature/<br>High Humidity | 85°C / 85% R.H   | 1000hrs               | 22pcs           |  | 0/1   |



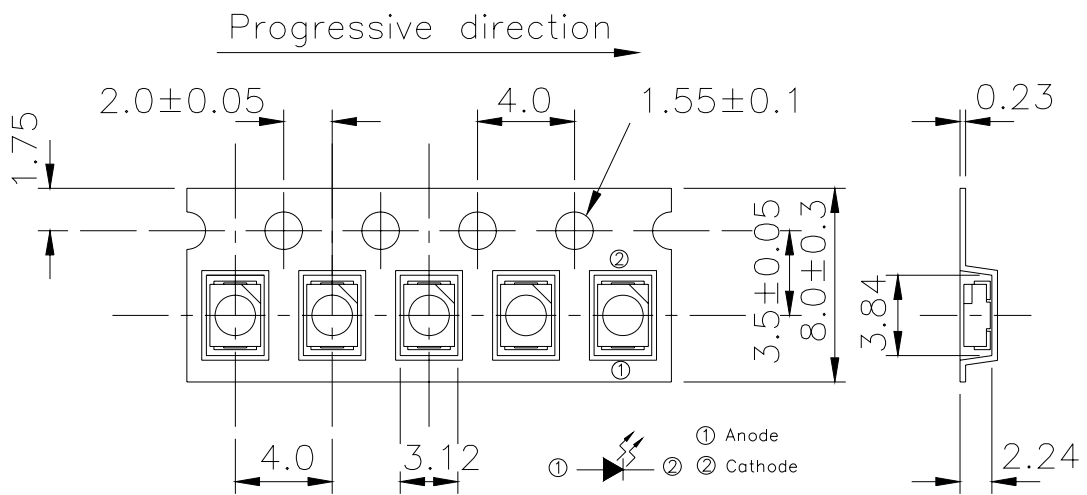
Package Dimensions

1. Reel Dimensions



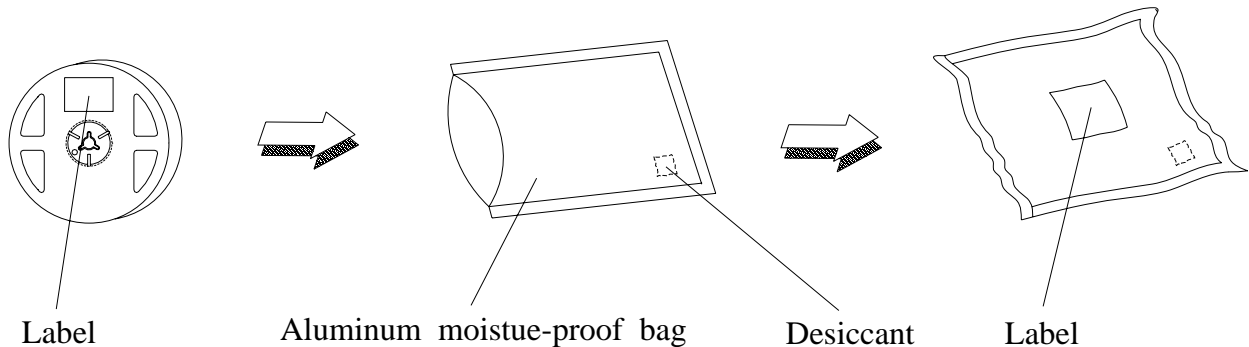
Note: The tolerances unless mentioned is  $\pm 0.1$ mm ,Unit = mm

2. Carrier Tape Dimensions:(Quantity: 2000pcs/reel)

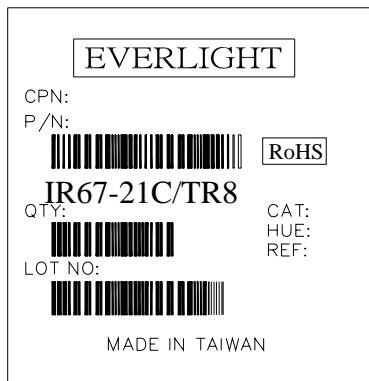


TOLERANCES UNLESS DIMENSION  $\pm 0.1$   
ANGLE  $\pm 0.5$   
UNIT:mm

**Packing Procedure**



**Label Form Specification**



CPN: Customer's Production Number  
P/N : Production Number  
QTY: Packing Quantity  
CAT: Ranks  
HUE: Peak Wavelength  
REF: Reference  
LOT No: Lot Number  
MADE IN TAIWAN: Production Place

**Notes**

1. Above specification may be changed without notice. EVERLIGHT will reserve authority on material change for above specification.
2. When using this product, please observe the absolute maximum ratings and the instructions for using outlined in these specification sheets. EVERLIGHT assumes no responsibility for any damage resulting from use of the product which does not comply with the absolute maximum ratings and the instructions included in these specification sheets.
3. These specification sheets include materials protected under copyright of EVERLIGHT corporation. Please don't reproduce or cause anyone to reproduce them without EVERLIGHT's consent.

|   |  |
|---|--|
| <b>EVERLIGHT ELECTRONICS CO., LTD.</b><br>Office: No 25, Lane 76, Sec 3, Chung Yang Rd,<br>Tucheng, Taipei 236, Taiwan, R.O.C | Tel: 886-2-2267-2000, 2267-9936<br>Fax: 886-2267-6244, 2267-6189, 2267-6306<br><a href="http://www.everlight.com">http://www.everlight.com</a> |
|---|--|

Компания «Океан Электроники» предлагает заключение долгосрочных отношений при поставках импортных электронных компонентов на взаимовыгодных условиях!

Наши преимущества:

- Поставка оригинальных импортных электронных компонентов напрямую с производств Америки, Европы и Азии, а так же с крупнейших складов мира;
- Широкая линейка поставок активных и пассивных импортных электронных компонентов (более 30 млн. наименований);
- Поставка сложных, дефицитных, либо снятых с производства позиций;
- Оперативные сроки поставки под заказ (от 5 рабочих дней);
- Экспресс доставка в любую точку России;
- Помощь Конструкторского Отдела и консультации квалифицированных инженеров;
- Техническая поддержка проекта, помощь в подборе аналогов, поставка прототипов;
- Поставка электронных компонентов под контролем ВП;
- Система менеджмента качества сертифицирована по Международному стандарту ISO 9001;
- При необходимости вся продукция военного и аэрокосмического назначения проходит испытания и сертификацию в лаборатории (по согласованию с заказчиком);
- Поставка специализированных компонентов военного и аэрокосмического уровня качества (Xilinx, Altera, Analog Devices, Intersil, Interpoint, Microsemi, Actel, Aeroflex, Peregrine, VPT, Syfer, Eurofarad, Texas Instruments, MS Kennedy, Miteq, Cobham, E2V, MA-COM, Hittite, Mini-Circuits, General Dynamics и др.);

Компания «Океан Электроники» является официальным дистрибьютором и эксклюзивным представителем в России одного из крупнейших производителей разъемов военного и аэрокосмического назначения «JONHON», а так же официальным дистрибьютором и эксклюзивным представителем в России производителя высокотехнологичных и надежных решений для передачи СВЧ сигналов «FORSTAR».



## JONHON

«JONHON» (основан в 1970 г.)

Разъемы специального, военного и аэрокосмического назначения:

(Применяются в военной, авиационной, аэрокосмической, морской, железнодорожной, горно- и нефтедобывающей отраслях промышленности)

«FORSTAR» (основан в 1998 г.)

ВЧ соединители, коаксиальные кабели, кабельные сборки и микроволновые компоненты:

(Применяются в телекоммуникациях гражданского и специального назначения, в средствах связи, РЛС, а так же военной, авиационной и аэрокосмической отраслях промышленности).



Телефон: 8 (812) 309-75-97 (многоканальный)

Факс: 8 (812) 320-03-32

Электронная почта: [ocean@oceanchips.ru](mailto:ocean@oceanchips.ru)

Web: <http://oceanchips.ru/>

Адрес: 198099, г. Санкт-Петербург, ул. Калинина, д. 2, корп. 4, лит. А