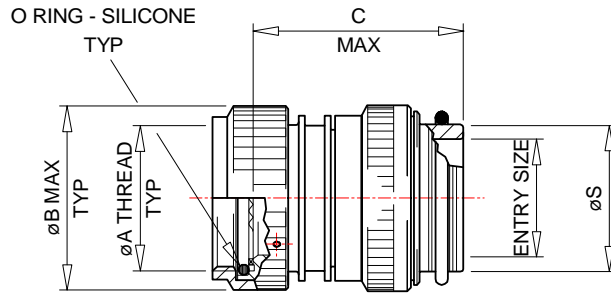
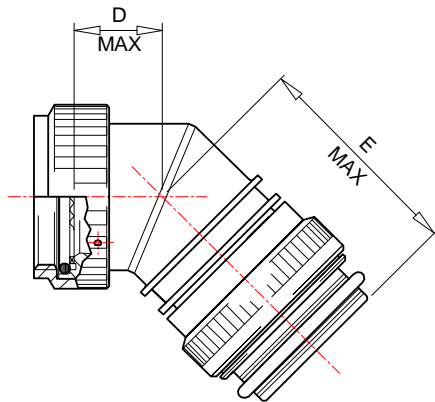
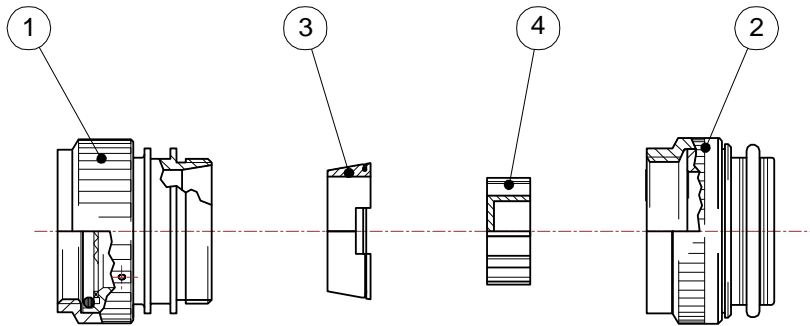


CUSTOMER DRAWING

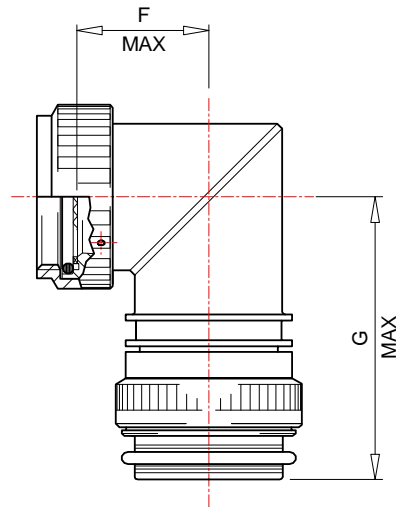
REV: B	REVISED PER ECO-12-013539	DATE: July 26, 2012
------------------	------------------------------	------------------------



STRAIGHT ADAPTOR
- 00



45° ADAPTOR
- 45



90° ADAPTOR
- 90

© 2012 Tyco Electronics Corporation, a TE Connectivity Ltd. Company. All Rights reserved.



TE Connectivity
300 Constitution Drive
Menlo Park, CA 94025, USA

TITLE:

**HEXASHIELD ADAPTOR FOR
CODE 40 CONNECTORS
(TINEL CLAMPING NUT)**

UNLESS OTHERWISE SPECIFIED
DIMENSIONS ARE IN
MILLIMETERS.
INCH DIMENSIONS ARE SHOWN IN
BRACKETS

Tyco Electronics reserves the right to amend this drawing at
any time. Users should evaluate the suitability of the
product for their application.

DOCUMENT NO.

HEX40-AY-YY-YY-AYY-2-YY

DRAWN: IRT	DATE: FEB 03
---------------	-----------------

FILE: T31747	SCALE: NONE	SHEET: 1 OF 4
-----------------	----------------	------------------

If this document is printed it becomes uncontrolled. Check for the latest revision

CUSTOMER DRAWING

REV: B	REVISED PER ECO-12-013539	DATE: July 26, 2012
------------------	------------------------------	------------------------

KIT DESCRIPTION

ITEM	DESCRIPTION	MATERIAL
1	BODY ASSEMBLY	ALUMINIUM ALLOY
2	TINEL CLAMPING ADAPTOR ASSEMBLY	ALUMINIUM ALLOY
	TINEL-LOCK™ RING	TINEL-X™
3	CONIC RING	ALUMINIUM ALLOY
4	STAR	ALUMINIUM ALLOY

TABLE OF DIMENSIONS

Order Number	Shell Size		Tinel Entry Size	ØA Thread Class 6H	ØB Max	ØC Max	D Max	E Max	F Max	G Max	Ferrule Quantity	
	Mil.	Com.									Std.	Opt.
09	A	09	05	M12 x 1	19.0 [0.75"]	38.5 [1.52"]	14.4 [.57"]	38.5 [1.52"]	17.9 [.70"]	42.0 [1.65"]	1	-
11	B	11	08	M15 x 1	22.0 [0.87"]	38.5 [1.52"]	14.9 [.59"]	39.0 [1.54"]	19.4 [.76"]	43.5 [1.71"]	2	-
13	C	13	10	M18 x 1	25.5 [1.00"]	38.5 [1.52"]	15.9 [.63"]	39.5 [1.56"]	20.9 [.82"]	45.0 [1.77"]	3	-
15	D	15	12	M22 x 1	30.5 [1.20"]	38.5 [1.52"]	16.4 [.65"]	40.5 [1.60"]	22.4 [.88"]	46.5 [1.83"]	5	-
17	E	17	14	M25 x 1	33.5 [1.32"]	38.5 [1.52"]	16.9 [.67"]	41.0 [1.61"]	23.9 [.94"]	48.0 [1.89"]	6	7
19	F	19	16	M28 x 1	37.0 [1.46"]	38.5 [1.52"]	17.4 [.69"]	41.5 [1.63"]	25.4 [1.00"]	49.5 [1.95"]	7	8
21	G	21	18	M31 x 1	38.5 [1.52"]	38.5 [1.52"]	18.4 [.72"]	42.5 [1.67"]	27.4 [1.08"]	51.5 [2.03"]	9	11
23	H	23	20	M34 x 1	42.0 [1.65"]	38.5 [1.52"]	18.9 [.745"]	43.0 [1.69"]	28.9 [1.14"]	53.0 [2.09"]	10	13
25	J	25	20	M37 x 1	46.5 [1.83"]	46.0 [1.81"]	19.9 [.785"]	51.5 [2.03"]	30.4 [1.20"]	62.0 [2.44"]	12	18

Tinel Entry Size	ØS
05	10.97/11.13 [0.432/0.438"]
08	15.72/15.91 [0.619/0.626"]
10	18.84/19.11 [0.742/0.752"]
12	22.02/22.28 [0.867/0.877"]

Tinel Entry Size	ØS
14	25.17/25.46 [0.991/1.002"]
16	28.34/28.63 [1.116/1.127"]
18	31.52/31.81 [1.241/1.252"]
20	34.69/34.98 [1.366/1.377"]

© 2012 Tyco Electronics Corporation, a TE Connectivity Ltd. Company. All Rights reserved.

	TE Connectivity 300 Constitution Drive Menlo Park, CA 94025, USA	TITLE: HEXASHIELD ADAPTOR FOR CODE 40 CONNECTORS (TINEL CLAMPING NUT)
UNLESS OTHERWISE SPECIFIED DIMENSIONS ARE IN MILLIMETERS. INCH DIMENSIONS ARE SHOWN IN BRACKETS	Tyco Electronics reserves the right to amend this drawing at any time. Users should evaluate the suitability of the product for their application.	DOCUMENT NO. HEX40-AY-YY-YY-AYY-2-YY
DRAWN: IRT	DATE: FEB 03	FILE: T31747
		SCALE: NONE
		SHEET: 2 OF 4

If this document is printed it becomes uncontrolled. Check for the latest revision

CUSTOMER DRAWING

REV: B	REVISED PER ECO-12-013539	DATE: July 26, 2012
------------------	------------------------------	------------------------

PART NUMBERING

HEX40 - A B - 00 - 21 - A9 - 2 - DS

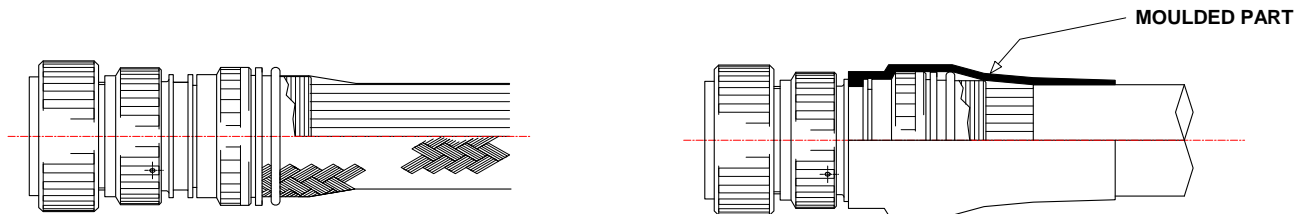
- CONNECTOR CODE NUMBER: _____
HEX40 = MIL-C-38999 SERIES III AND IV
- MATERIAL CODE: _____
A = ALUMINIUM ALLOY
- PLATING CODE: _____
B = CADMIUM OLIVE DRAB TO QQ-P-416
C = ELECTROLESS NICKEL TO MIL-C-26074
- BODY STYLE _____
00 = STRAIGHT
45 = 45°
90 = 90°
- ORDER NUMBER _____
- FERRULE QUANTITY CODE _____
- 2 = TINEL CLAMPING ADAPTOR ASSEMBLY _____
- DS = DRILLED STAR - OPTIONAL - SEE NOTE 2 _____

APPLICATION

- These adaptors are designed to be mounted on the following connectors:

MIL-C-38999 Series III and IV

- They are qualified to the Raychem specification RB-114, when installed on metallic Mil-Specification circular connectors only.
- They are designed for wire bundle installations having an overall braid terminated by means of a Tinel-Lock™ ring*.
- They are also designed to accept Raychem heat shrink moulded parts where strain relief and sealing is required – see illustrations.




- Use in conjunction with the ferrules HET-A-***, which are purchased separately. Refer to HET-A-*** S.C.D. for relevant selection details.
- * Refer to TR S.C.D. for further information on Tinel-Lock™ rings.

INSTALLATION

- See Installation Procedure RPIP-696-04.

© 2012 Tyco Electronics Corporation, a TE Connectivity Ltd. Company. All Rights reserved.

 <p>TE Connectivity 300 Constitution Drive Menlo Park, CA 94025, USA</p>		TITLE: HEXASHIELD ADAPTOR FOR CODE 40 CONNECTORS (TINEL CLAMPING NUT)		
		DOCUMENT NO. HEX40-AY-YY-YY-AYY-2-YY		
UNLESS OTHERWISE SPECIFIED DIMENSIONS ARE IN MILLIMETERS. INCH DIMENSIONS ARE SHOWN IN BRACKETS		Tyco Electronics reserves the right to amend this drawing at any time. Users should evaluate the suitability of the product for their application.		
DRAWN: IRT	DATE: FEB 03	FILE: T31747	SCALE: NONE	SHEET: 3 OF 4

If this document is printed it becomes uncontrolled. Check for the latest revision

CUSTOMER DRAWING

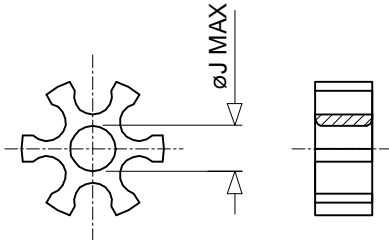
REV: B	REVISED PER ECO-12-013539	DATE: July 26, 2012
------------------	------------------------------	------------------------

PACKAGING

- All components are supplied in a plastic bag.

NOTES!

1. Item 4 - Star - is **not** supplied with Hexashield Order Number 09.
2. The DS option, illustrated below, is for a Drilled Star that is available on sizes 15 to 25 only. This option is to allow unshielded wires to pass through the assembly.

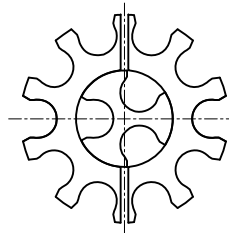


STAR SIZE	15	17	19	21	23	25
ØJ MAX	3.0 [0.12"]	6.0 [0.24"]	9.0 [0.35"]	12.0 [0.47"]	15.0 [0.59"]	18.0 [0.71"]

3. Where the ferrule quantities required are standard, the item 4 - Star - is also standard.
If the optional quantity is selected then 2 items 4 will be supplied - one "split" and the other one standard*,
See below for illustration.

EXAMPLE: FERRULE QUANTITY CODE -A13


-A13 = -A10 SPLIT STAR + -A3 STANDARD STAR



* On Order Number 19 only, the Optional Ferrule quantity of 8 uses a "standard" star also.

4. Assembly is to be permanently marked with Code Identity Number and Part Number.
(e.g. 06090 HEX40-AB-00-21-A9-2)

© 2012 Tyco Electronics Corporation, a TE Connectivity Ltd. Company. All Rights reserved.

 <p>TE Connectivity 300 Constitution Drive Menlo Park, CA 94025, USA</p>		TITLE:	
		<p>HEXASHIELD ADAPTOR FOR CODE 40 CONNECTORS (TINEL CLAMPING NUT)</p>	
UNLESS OTHERWISE SPECIFIED DIMENSIONS ARE IN MILLIMETERS. INCH DIMENSIONS ARE SHOWN IN BRACKETS		DOCUMENT NO.	
Tyco Electronics reserves the right to amend this drawing at any time. Users should evaluate the suitability of the product for their application.		<p>HEX40-AY-YY-YY-AYY-2-YY</p>	
DRAWN: IRT	DATE: FEB 03	FILE: T31747	SCALE: NONE
		SHEET: 4 OF 4	

If this document is printed it becomes uncontrolled. Check for the latest revision

Компания «Океан Электроники» предлагает заключение долгосрочных отношений при поставках импортных электронных компонентов на взаимовыгодных условиях!

Наши преимущества:

- Поставка оригинальных импортных электронных компонентов напрямую с производств Америки, Европы и Азии, а так же с крупнейших складов мира;
- Широкая линейка поставок активных и пассивных импортных электронных компонентов (более 30 млн. наименований);
- Поставка сложных, дефицитных, либо снятых с производства позиций;
- Оперативные сроки поставки под заказ (от 5 рабочих дней);
- Экспресс доставка в любую точку России;
- Помощь Конструкторского Отдела и консультации квалифицированных инженеров;
- Техническая поддержка проекта, помощь в подборе аналогов, поставка прототипов;
- Поставка электронных компонентов под контролем ВП;
- Система менеджмента качества сертифицирована по Международному стандарту ISO 9001;
- При необходимости вся продукция военного и аэрокосмического назначения проходит испытания и сертификацию в лаборатории (по согласованию с заказчиком);
- Поставка специализированных компонентов военного и аэрокосмического уровня качества (Xilinx, Altera, Analog Devices, Intersil, Interpoint, Microsemi, Actel, Aeroflex, Peregrine, VPT, Syfer, Eurofarad, Texas Instruments, MS Kennedy, Miteq, Cobham, E2V, MA-COM, Hittite, Mini-Circuits, General Dynamics и др.);

Компания «Океан Электроники» является официальным дистрибьютором и эксклюзивным представителем в России одного из крупнейших производителей разъемов военного и аэрокосмического назначения «JONHON», а так же официальным дистрибьютором и эксклюзивным представителем в России производителя высокотехнологичных и надежных решений для передачи СВЧ сигналов «FORSTAR».



JONHON

«JONHON» (основан в 1970 г.)

Разъемы специального, военного и аэрокосмического назначения:

(Применяются в военной, авиационной, аэрокосмической, морской, железнодорожной, горно- и нефтедобывающей отраслях промышленности)

«FORSTAR» (основан в 1998 г.)

ВЧ соединители, коаксиальные кабели,
кабельные сборки и микроволновые компоненты:

(Применяются в телекоммуникациях гражданского и специального назначения, в средствах связи, РЛС, а так же военной, авиационной и аэрокосмической отраслях промышленности).



Телефон: 8 (812) 309-75-97 (многоканальный)

Факс: 8 (812) 320-03-32

Электронная почта: ocean@oceanchips.ru

Web: <http://oceanchips.ru/>

Адрес: 198099, г. Санкт-Петербург, ул. Калинина, д. 2, корп. 4, лит. А