

DESCRIPTION

Demonstration circuit 1040 is a quad output regulator consisting of four constant-frequency step-down converters integrated into the LTC3544. DC1040 has an input voltage range of 2.25V to 5.5V, with regulators capable of delivering 100mA, 200mA, 200mA and 300mA of output current. The four regulators operate independently with individual RUN pins and enter pulse skipping mode at low loads to reduce output ripple. In shutdown, the DC1040 draws less than 1 μ A total. The DC1040 is a very efficient circuit with efficiency greater than 90%. The LTC3544 comes in a 16-pin QFN package, which has an exposed pad on the bottom-side of the IC for better thermal performance. High operating frequency of 2.25MHz allows

exclusive use of small size, low profile surface mount components. These features plus internal compensation circuits make the DC1040 demo board an ideal circuit for use in battery-powered, hand-held applications. The DC1040 design supports both versions of LTC3544: LTC3544EUD (burst mode of operation) and LTC3544BEUD (pulse skip mode of operation). The label on the PCB identifies which controller is installed.

Design files for this circuit board are available. Call the LTC factory.

LTC is a trademark of Linear Technology Corporation

Table 1. Performance Summary ($T_A = 25^\circ\text{C}$)

PARAMETER	CONDITIONS	VALUE
Minimum Input Voltage		2.25V
Maximum Input Voltage		5.5V
Output Voltage Regulation VOUT1	$V_{IN} = 2.25\text{V to } 5.5\text{V}, I_{OUT} = 0\text{A to } 100\text{mA}$	1.2V \pm 2%
Typical Output Ripple VOUT1	$V_{IN} = 5\text{V}, I_{OUT} = 100\text{mA}$ (20 MHz BW)	<15mV _{P-P}
Output Voltage Regulation VOUT2	$V_{IN} = 2.25\text{V to } 5.5\text{V}, I_{OUT} = 0\text{A to } 200\text{mA}$	1.5V \pm 2%
Typical Output Ripple VOUT2	$V_{IN} = 5\text{V}, I_{OUT} = 200\text{mA}$ (20 MHz BW)	<15mV _{P-P}
Output Voltage Regulation VOUT3	$V_{IN} = 2.25\text{V to } 5.5\text{V}, I_{OUT} = 0\text{A to } 200\text{mA}$	0.8V \pm 2%
Typical Output Ripple VOUT3	$V_{IN} = 5\text{V}, I_{OUT} = 200\text{mA}$ (20 MHz BW)	<15mV _{P-P}
Output Voltage Regulation VOUT4	$V_{IN} = 2.25\text{V to } 5.5\text{V}, I_{OUT} = 0\text{A to } 300\text{mA}$	1.8V \pm 2%
Typical Output Ripple VOUT4	$V_{IN} = 5\text{V}, I_{OUT} = 300\text{mA}$ (20 MHz BW)	<15mV _{P-P}
Nominal Switching Frequency		2.25 MHz

QUICK START PROCEDURE

Demonstration Circuit 1040 is easy to set up to evaluate the performance of the LTC3544. For proper measurement equipment configuration, set up the circuit according to the diagram in Figure 1.

NOTE: When measuring the input or output voltage ripple, care must be taken to avoid a long ground lead on the oscilloscope probe. Measure the input or output voltage ripple by touching the probe tip directly across the VIN or VOUT and GND terminals. See the Measurement Equipment Set-up diagram in Figure 2 for proper scope probe technique.

1. Connect the input power supply to the VIN and GND terminals. Connect the loads between the matching VOUT and GND terminals. Refer to Figure 1 for the proper measurement equipment setup. Make sure that loads on outputs VOUT1 through VOUT4 do not exceed 100mA, 200mA, 200mA and 300mA respectively.
2. Apply 5V at VIN and place RUN jumper shunts JP1 through JP4 in the ON positions.
3. Measure all four outputs VOUT1 through VOUT4; they should read 1.2V, 1.5V, 0.8V, 1.8V respectively. All output voltages should be within +/- 2% tolerance.
4. Vary the input voltage from 5.5V to 2.5V, all four output voltages should be within +/- 2% tolerance.
5. Vary the VOUT1 load current from 0 to 100mA. Each output voltage should be within a tolerance of +/- 2%.
6. Vary the VOUT2 and VOUT3 load currents from 0 to 200mA. Each output voltage should be within a tolerance of +/- 2%.
7. Vary the VOUT4 load current from 0 to 300mA. Each output voltage should be within a tolerance of +/- 2%.
8. To turn either output off, place corresponding jumper in OFF position.

Warning - If the power for the demo board is carried in long leads, the input voltage at the part could “ring”, which could affect the operation of the circuit or even exceed the maximum voltage rating of the IC. To eliminate the ringing, insert a small tantalum capacitor (for instance, AVX part # TAJW686M010) on the pads between the input power and return terminals on the bottom of the demo board. The (greater) ESR of the tantalum will dampen the (possible) ringing voltage due to the use of long input leads. On a normal, typical PCB, with short traces, the capacitor is not needed.

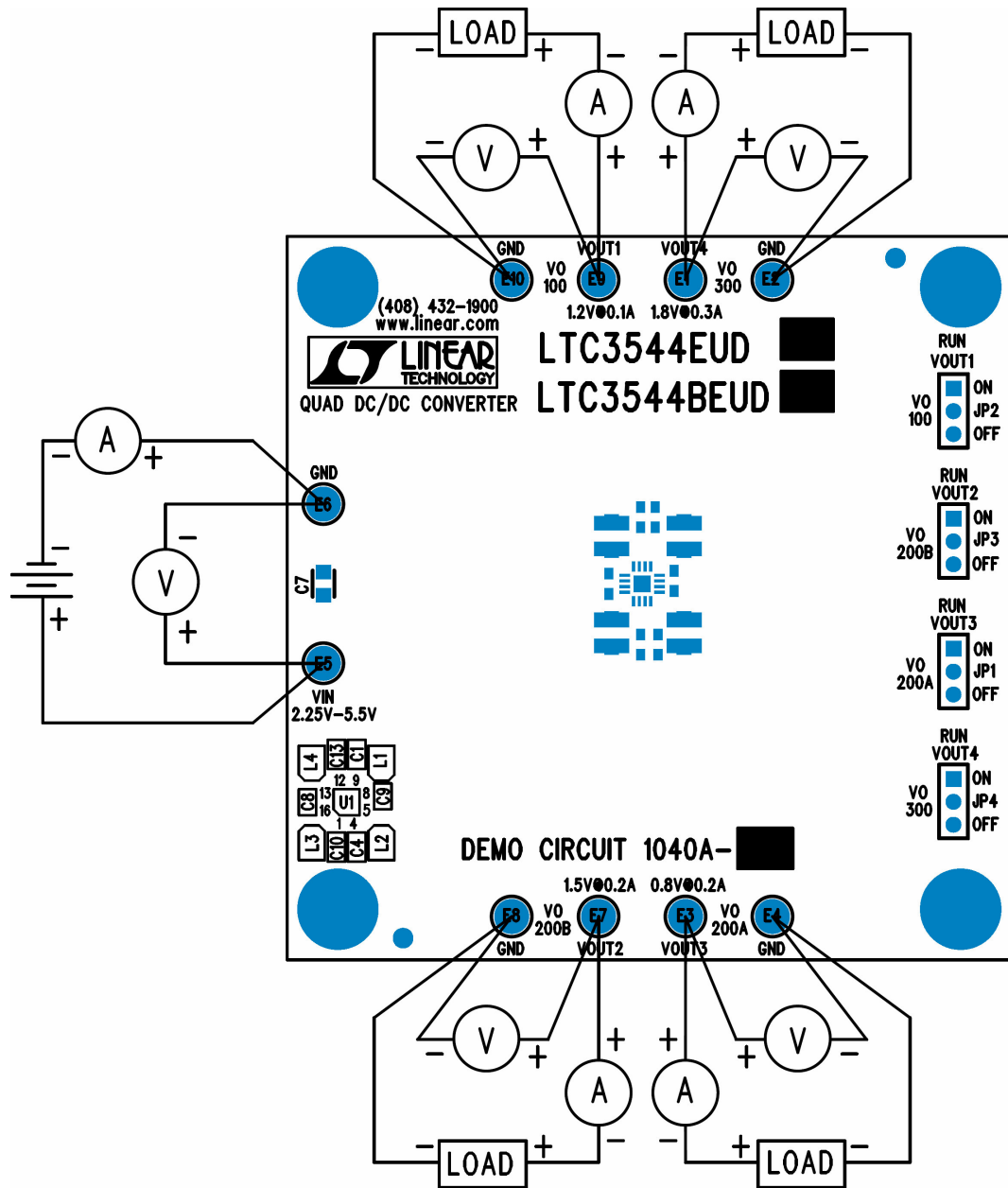


Figure 1. Proper Measurement Equipment Setup

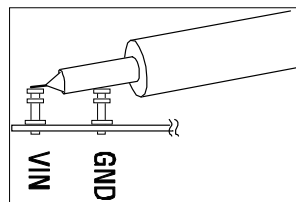
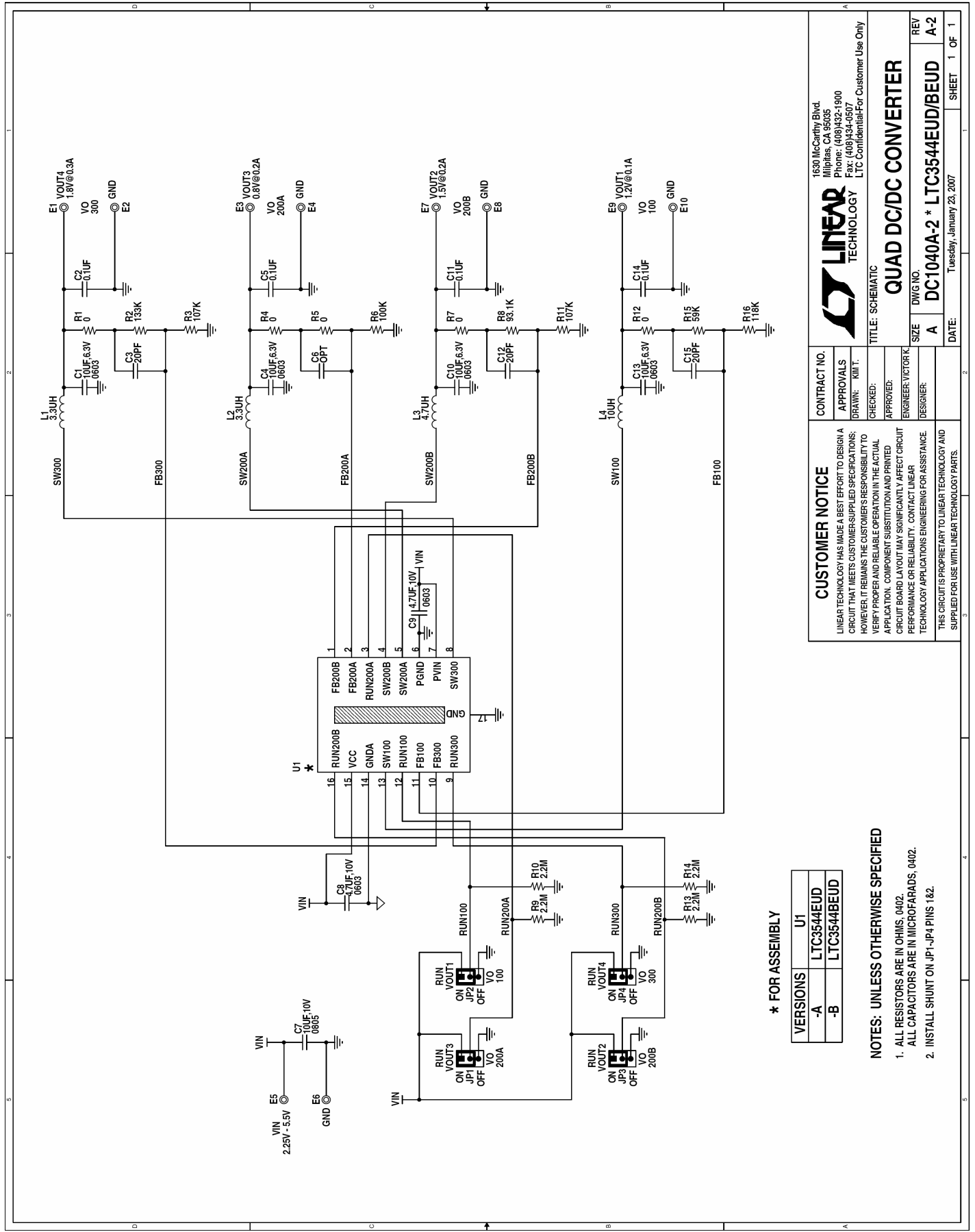


Figure 2. Measuring Input or Output Ripple

QUICK START GUIDE FOR DEMONSTRATION CIRCUIT 1040

QUAD DC/DC CONVERTER



LINEAR TECHNOLOGY
 1630 McCarthy Blvd.
 Milpitas, CA 95035
 Phone: (408)532-1900
 Fax: (408)534-3597
 LTC Confidential-For Customer Use Only

CONTRACT NO.
APPROVALS
DRAWN: KIM T.
CHECKED:
ENGINEER: VICTOR K.
DESIGNER:

CUSTOMER NOTICE
 LINEAR TECHNOLOGY HAS MADE A BEST EFFORT TO DESIGN A CIRCUIT THAT MEETS CUSTOMER-SUPPLIED SPECIFICATIONS; HOWEVER, IT REMAINS THE CUSTOMER'S RESPONSIBILITY TO VERIFY PROPER AND RELIABLE OPERATION IN THE ACTUAL APPLICATION. COMPONENT SUBSTITUTION AND PRINTED CIRCUIT BOARD LAYOUT MAY SIGNIFICANTLY AFFECT CIRCUIT PERFORMANCE OR RELIABILITY. CONTACT LINEAR TECHNOLOGY APPLICATIONS ENGINEERING FOR ASSISTANCE. THIS CIRCUIT IS PROPRIETARY TO LINEAR TECHNOLOGY AND SUPPLIED FOR USE WITH LINEAR TECHNOLOGY PARTS.

TITLE: SCHEMATIC
QUAD DC/DC CONVERTER

SIZE: DWG NO. **A**
REV: **A-2**

DATE: Tuesday, January 23, 2007
SHEET 1 OF 1

* FOR ASSEMBLY

VERSIONS	U1
-A	LTC3544EUD
-B	LTC3544BEUD

NOTES: UNLESS OTHERWISE SPECIFIED

- ALL RESISTORS ARE IN OHMS, 0402.
- ALL CAPACITORS ARE IN MICROFARADS, 0402.
- INSTALL SHUNT ON JP1-JP4 PINS 1&2.

Компания «Океан Электроники» предлагает заключение долгосрочных отношений при поставках импортных электронных компонентов на взаимовыгодных условиях!

Наши преимущества:

- Поставка оригинальных импортных электронных компонентов напрямую с производств Америки, Европы и Азии, а так же с крупнейших складов мира;
- Широкая линейка поставок активных и пассивных импортных электронных компонентов (более 30 млн. наименований);
- Поставка сложных, дефицитных, либо снятых с производства позиций;
- Оперативные сроки поставки под заказ (от 5 рабочих дней);
- Экспресс доставка в любую точку России;
- Помощь Конструкторского Отдела и консультации квалифицированных инженеров;
- Техническая поддержка проекта, помощь в подборе аналогов, поставка прототипов;
- Поставка электронных компонентов под контролем ВП;
- Система менеджмента качества сертифицирована по Международному стандарту ISO 9001;
- При необходимости вся продукция военного и аэрокосмического назначения проходит испытания и сертификацию в лаборатории (по согласованию с заказчиком);
- Поставка специализированных компонентов военного и аэрокосмического уровня качества (Xilinx, Altera, Analog Devices, Intersil, Interpoint, Microsemi, Actel, Aeroflex, Peregrine, VPT, Syfer, Eurofarad, Texas Instruments, MS Kennedy, Miteq, Cobham, E2V, MA-COM, Hittite, Mini-Circuits, General Dynamics и др.);

Компания «Океан Электроники» является официальным дистрибьютором и эксклюзивным представителем в России одного из крупнейших производителей разъемов военного и аэрокосмического назначения «JONHON», а так же официальным дистрибьютором и эксклюзивным представителем в России производителя высокотехнологичных и надежных решений для передачи СВЧ сигналов «FORSTAR».



JONHON

«JONHON» (основан в 1970 г.)

Разъемы специального, военного и аэрокосмического назначения:

(Применяются в военной, авиационной, аэрокосмической, морской, железнодорожной, горно- и нефтедобывающей отраслях промышленности)

«FORSTAR» (основан в 1998 г.)

ВЧ соединители, коаксиальные кабели,
кабельные сборки и микроволновые компоненты:

(Применяются в телекоммуникациях гражданского и специального назначения, в средствах связи, РЛС, а так же военной, авиационной и аэрокосмической отраслях промышленности).



Телефон: 8 (812) 309-75-97 (многоканальный)

Факс: 8 (812) 320-03-32

Электронная почта: ocean@oceanchips.ru

Web: <http://oceanchips.ru/>

Адрес: 198099, г. Санкт-Петербург, ул. Калинина, д. 2, корп. 4, лит. А