

# OM13584

## PTN5150A USB Type-C CC Logic and PTN36043 SuperSpeed Active Demux Application Board User's Manual

Rev. 2.0 - 8/8/16

### Document information

Info	Content
<b>Keywords</b>	PTN5150A, PTN36043, NX5P3090, USB Type-C, CC Logic, Orientation Detection, SuperSpeed, Active Demux, Redriver, Load Switch, Discrete Logic
<b>Abstract</b>	This user manual presents demonstration / application board capability of interfacing an USB3.0 xHCI controller to USB Type-C port. The application board is intended for use as an evaluation and customer demonstration tool, as well as a reference design.

# OM13584

## PTN5150A USB Type-C CC Logic and PTN36043 SuperSpeed Active Demux Application Board User's Manual

---

Rev. 2.0 - 8/8/16

### Revision history

Rev	Date	Description
2.0	8/8/2016	Update For New Reference Design (Revision A3)
1.0	5/28/2015	Initial release

---

# OM13584

PTN5150A USB Type-C CC Logic and PTN36043 SuperSpeed  
Active Demux Application Board User's Manual  
Rev. 2.0 - 8/8/16

---

## 1. Introduction

---

PTN36043 is a very small, low power 2 differential channel 2 to 1 active demultiplexer with integrated SuperSpeed USB 3.0 redriver IC that can switch two differential signals to one of two locations. The active demux has optimized performance with minimized crosstalk, as required by the high-speed serial interface for type C connector. PTN36043 allows expansion of existing high speed ports for very low power consumption.

PTN5150A is a small thin low power CC Logic chip supporting the USB Type-C connector application with Configuration Channel (CC) control logic detection and indication functions. The features of PTN5150A enable USB Type-C connector to be used in both host and device ends of the Type-C cable. It can support Type-C to USB legacy cables and adapters defined in USB Type-C Spec. PTN5150A can work autonomously, or can connect to a controller through I2C-bus interface.

This document describes the user's manual of PTN36043 USB Type-C SuperSpeed Active Demux, and also PTN5150A CC logic chip for orientation detection on the USB Type-C cables, including

- Overall PCB connectors, jumpers, and power supplies
- Equipment/Tools that this board will be interfacing with for board testing
- System level connections such as cables and connectors that this board will be plugged into

### 1.1 Purposes

- For engineers to evaluate the performance of PTN36043, including verifying system level features/performances/functionalities such as
  - Signal integrity measurements such as jitter and eye diagrams
  - Verify power management schemes in U0/U1/U2/U3 states
  - Power consumption measurement during U0/U1/U2/U3 states.
  - Allow access to settings such as receiver equalizer and transmitter output swing level and de-emphasis for the channel facing the application processor side, or for the channel USB Type-C connector side.
- For engineers to evaluate the performance of PTN5150A, including verifying system level features/performances/functionalities such as
  - CC logic (CC1/CC2) orientation detection

# OM13584

## PTN5150A USB Type-C CC Logic and PTN36043 SuperSpeed Active Demux Application Board User's Manual

---

Rev. 2.0 - 8/8/16

- Various DFP current mode settings, and other interrupt functions thru I<sup>2</sup>C interface
- Generic non-I2C (GPIO) mode to interface with PTN36043.
- Verify power management schemes in active and power down states

## 2. General Description

---

### 2.1 *Layout of PTN36043 and PTN5150A*

This application board is designed to evaluate PTN36043 and PTN5150A specifically. Socket footprints are no longer available on the evaluation board, and only IC footprints are provided for direct soldering purpose.

There are two possible configurations to use this application board

1. Host (DFP) Mode – connect to a host PC via a standard A-A cable (cables are not provided), and connect to a device via a USB-Type-C to Type-A receptacle.
2. Device (UFP) Mode – connect to a host PC (such as Macbook or Chromebook) via a standard type-C cable, and connect to a device (such as thumb drive) via on-board Type-A receptacle.

PTN5150A has special EXT\_SEL feature that can be used to select which path to enable on PTN36043, based on the type-C cable's orientation. Note that PTN5150A does not have this feature, and thus won't be easy to demonstrate the selection function. If customers would like to evaluation PTN5150, please make a special request to marketing, and we can provide the correct part number for evaluation.

# OM13584

PTN5150A USB Type-C CC Logic and PTN36043 SuperSpeed Active Demux Application Board User's Manual  
Rev. 2.0 - 8/8/16

## 2.2 Block Diagram

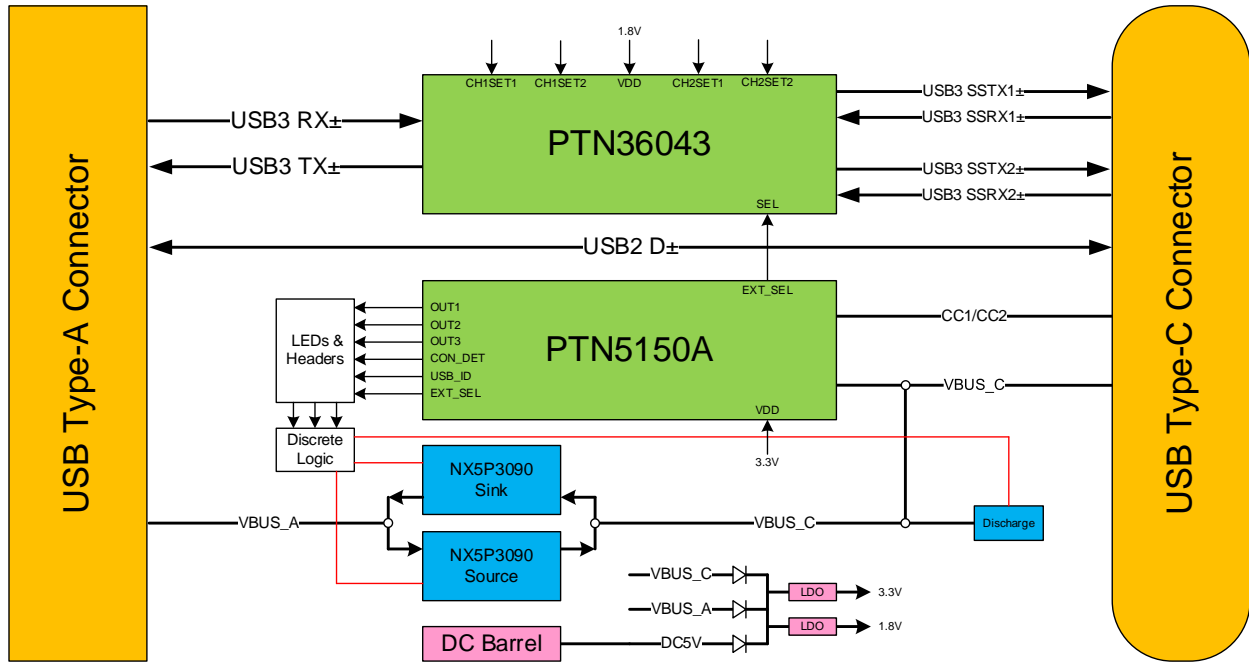


Figure 1: PTN5150A/PTN36043 Application Board Block Diagram

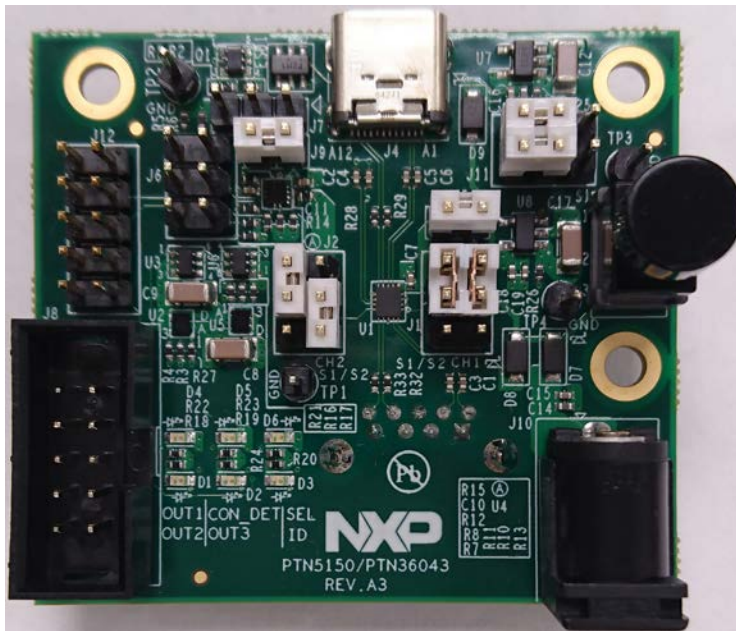


Figure 2: PTN5150A/PTN36043 Application Board

# OM13584

PTN5150A USB Type-C CC Logic and PTN36043 SuperSpeed  
Active Demux Application Board User's Manual  
Rev. 2.0 - 8/8/16

---

## 2.3 Demo Board Features

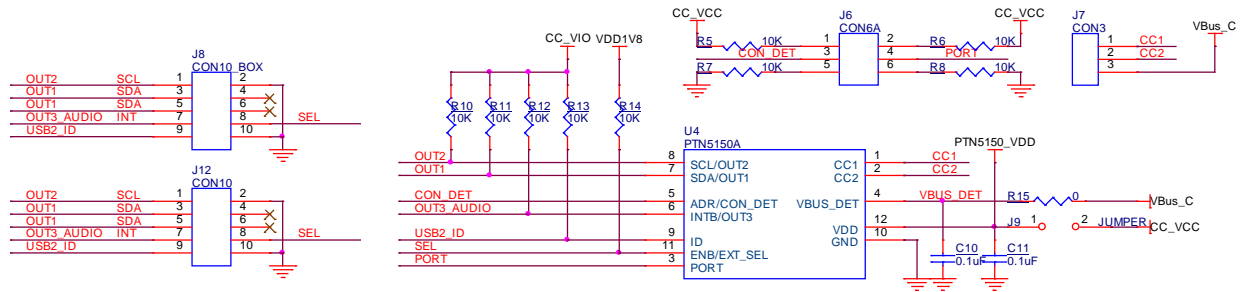
- Configuration jumpers for PT36043 AP & CONN channels.
- PTN5150A Type-C CC Controller
  - LED status indications and probing headers for PTN5150A
  - I2C interface header (compatible with Aardvark I<sup>2</sup>C/SPI Host Adapter)
- Host (DFP) Mode and Device (UFP) Mode
- Load switch for sourcing 5V to Type-C connector (DFP mode)
- Load switch for sinking 5V from Type-C connector (UFP mode)
- On board 3.3V and 1.8V LDOs for PTN36043 and PTN5150A
- Powered From USB Type-A VBus, or USB Type-C VBus, or External +5V power supply input header.

# OM13584

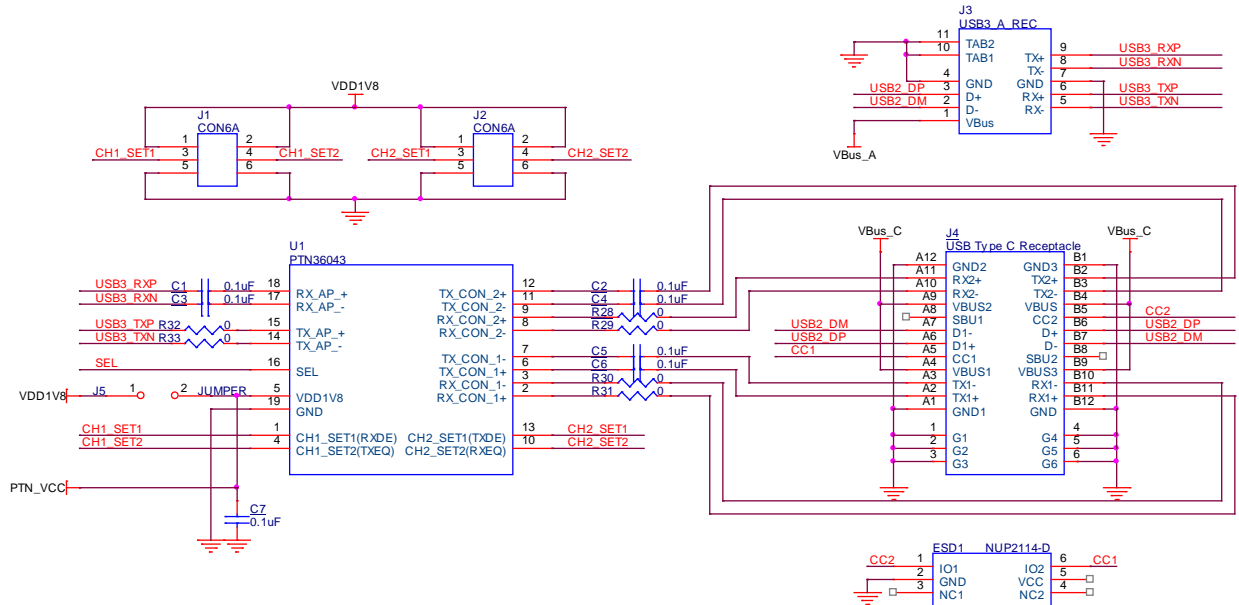
## PTN5150A USB Type-C CC Logic and PTN36043 SuperSpeed Active Demux Application Board User's Manual Rev. 2.0 - 8/8/16

### 3. Schematics

#### 3.1 PTN5150A (CC Logic Controller)



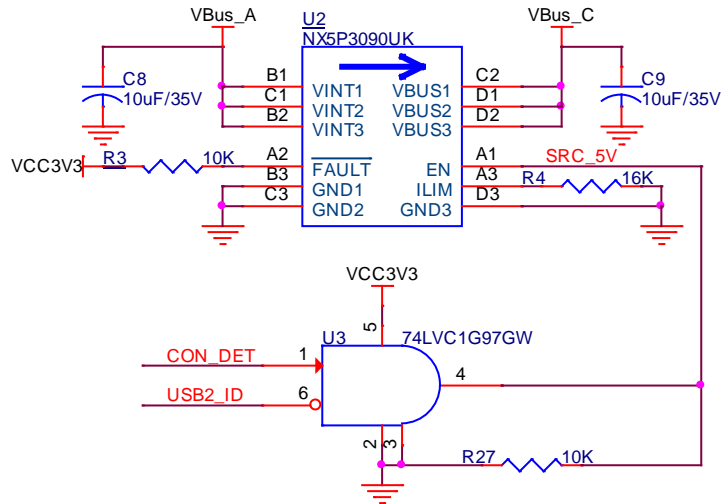
#### 3.2 PTN36043 (USB3 Active Demux)



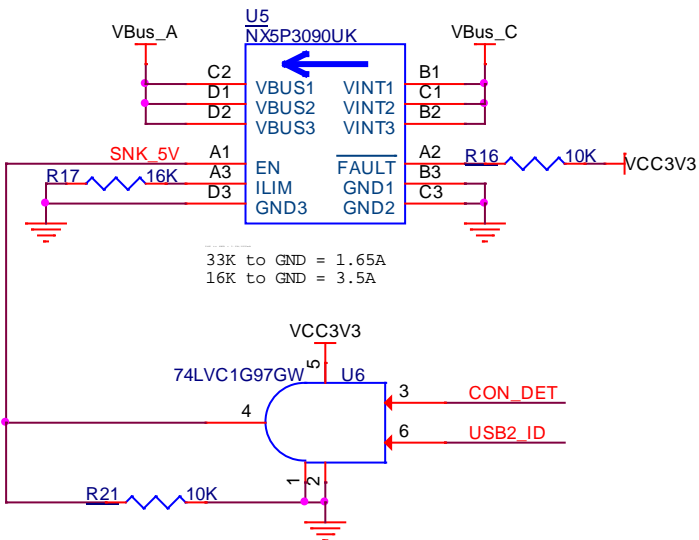
# OM13584

PTN5150A USB Type-C CC Logic and PTN36043 SuperSpeed  
Active Demux Application Board User's Manual  
Rev. 2.0 - 8/8/16

## 3.3 Source Load Switch



## 3.4 Sink Load Switch

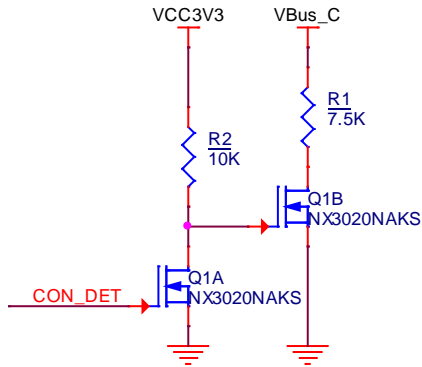




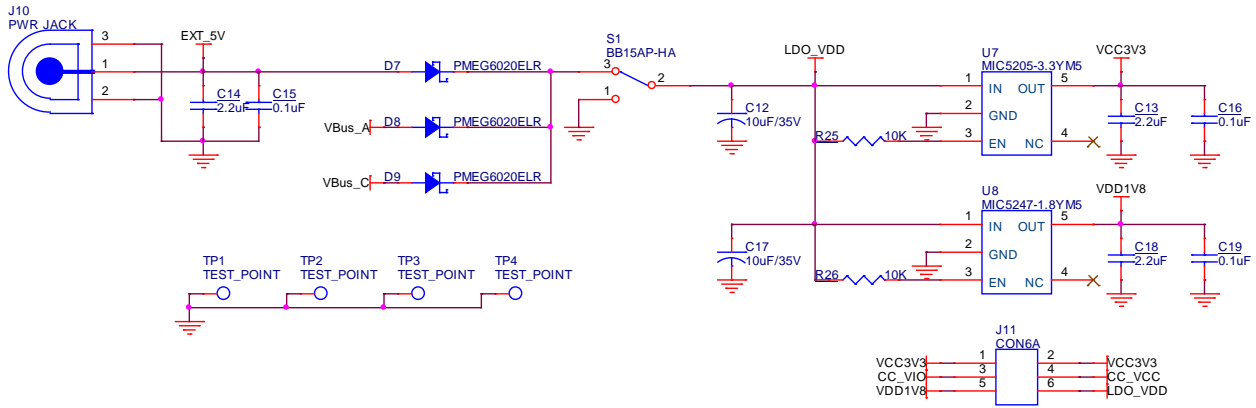
# OM13584

PTN5150A USB Type-C CC Logic and PTN36043 SuperSpeed Active Demux Application Board User's Manual  
Rev. 2.0 - 8/8/16

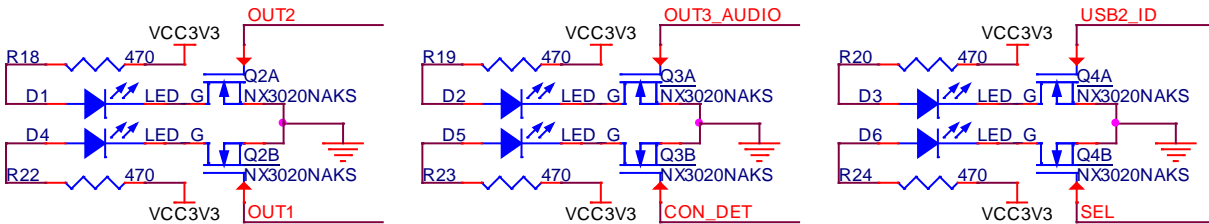
## 3.5 VBus Discharge Circuit



## 3.6 On-Board LDOs



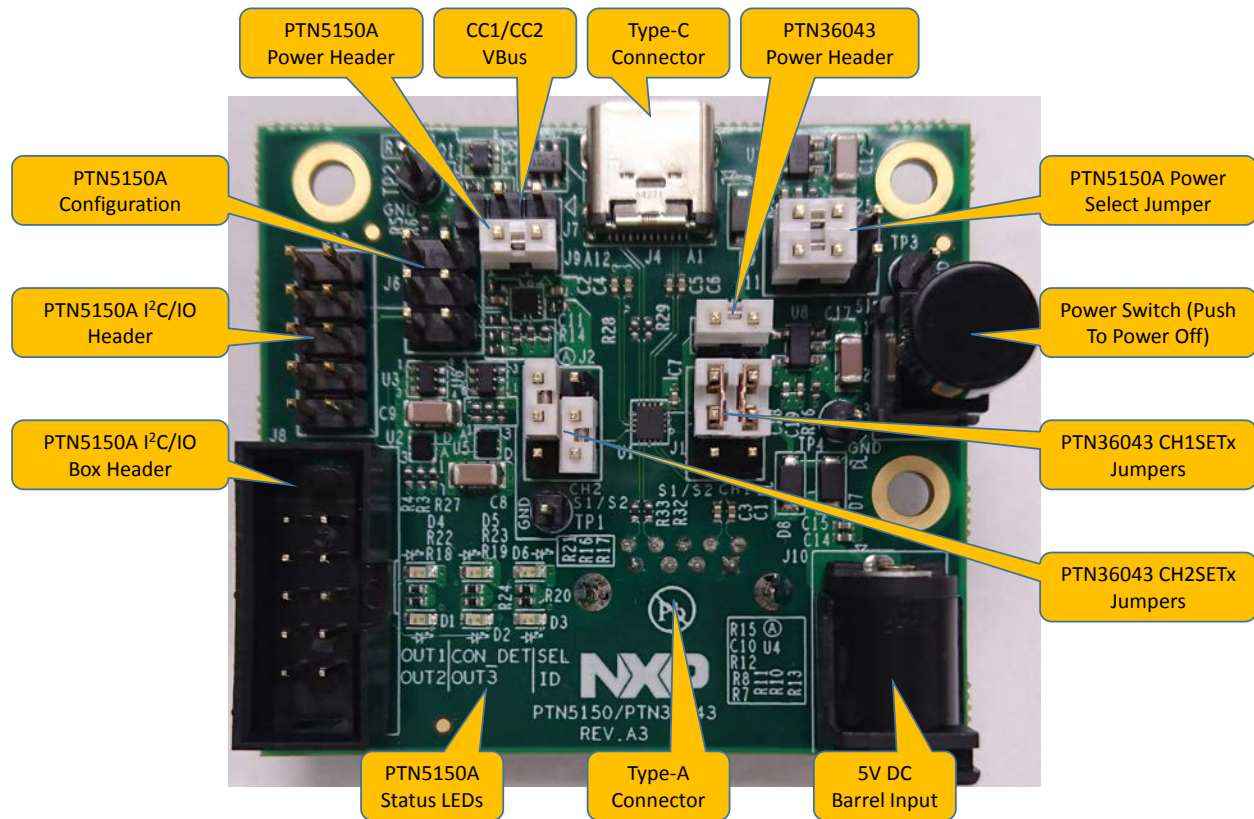
## 3.7 LEDs and Headers



# OM13584

PTN5150A USB Type-C CC Logic and PTN36043 SuperSpeed  
Active Demux Application Board User's Manual  
Rev. 2.0 - 8/8/16

## 4. Connector Functions



### 4.1 Board Power

This demo board can be powered from three different power sources:

- USB Type-A (DFP mode, from a Type-A host)
- USB Type-C (UFP mode, from a Type-C host)
- DC Barrel (5V)

Three different power paths are diode-ORed together through D7/D8/D9 to provide power input to 3.3V and 1.8V LDOs. A momentary toggle switch (S1) is used to disconnect power inputs to LDOs while pressing down. By default, the momentary toggle switch is in the ON position.

### 4.2 Power Measurement

Customers can use J5 for PTN36043 power measurement, and J9 for PTN5150A power measurement. Note that PTN5150A's VDD can be up to 5.5V, and IO voltage

# OM13584

## PTN5150A USB Type-C CC Logic and PTN36043 SuperSpeed Active Demux Application Board User's Manual Rev. 2.0 - 8/8/16

can be varied by changing J11 setting. For normal operation, jumpers should be installed on J5 and J11.

### 4.3 PTN36043 Channel Settings

PTN36043 channel settings can be adjusted through J1 (CH1SETx) and J2 (CH2SETx). CH1SETx is used to set channel condition on the USB Type-A side, and CH2SETx is used to set channel condition on the USB Type-C side. The following tables describes detail DE/OS/EQ settings of each header.

CH1_SET1	CH1_SET2	RX_AP± DE	RX_AP± OS	TX_AP± EQ
Low	Low	-3.9 dB	1100 mV	3.0 dB
Low	Open	-3.5 dB	900 mV	3.0 dB
Low	High	0 dB	1100 mV	3.0 dB
Open	Low	0 dB	900 mV	3.0 dB
Open	Open	-3.9 dB	1100 mV	0 dB
Open	High	-3.5 dB	900 mV	0 dB
High	Low	0 dB	1100 mV	0 dB
High	Open	0 dB	900 mV	0 dB
High	High	-5.3 dB	1100 mV	6.0 dB

CH2_SET1	CH2_SET2	TX_CON_1/2± DE	TX_CON_1/2± OS	RX_CON_1/2± EQ
Low	Low	-5.3 dB	1100 mV	0 dB
Low	Open	-3.9 dB	1100 mV	0 dB
Low	High	-3.5 dB	900 mV	0 dB
Open	Low	-5.1 dB	900 mV	0 dB
Open	Open	-3.9 dB	1100 mV	6.0 dB
Open	High	-3.5 dB	900 mV	6.0 dB
High	Low	-5.3 dB	1100 mV	6.0 dB
High	Open	-5.1 dB	900 mV	6.0 dB
High	High	-5.3 dB	1100 mV	9.0 dB

# OM13584

## PTN5150A USB Type-C CC Logic and PTN36043 SuperSpeed Active Demux Application Board User's Manual Rev. 2.0 - 8/8/16

### 4.4 PTN5150A I<sup>2</sup>C Mode

By default, PTN5150A operates in non-I<sup>2</sup>C mode, and OUT1/OUT2/OUT3 pins are configured as outputs. In order to place PTN5150A in I<sup>2</sup>C mode, customers should configure pin 5 (ADR/CON\_DET) with either a pull up resistor or a pull down resistor during power up, and OUT1/OUT2/OUT3 are re-configured as I<sup>2</sup>C\_SDA/I<sup>2</sup>C\_SCL/INTB functions.

Note that when operating in I<sup>2</sup>C mode, CON\_DET output function is disabled by default. However, CON\_DET is used by on-board discrete logic to enable/disable 5V power source and sink load switches, as well as VBus discharge circuit on the Type-C connector side. In order for these control circuits to operate correctly, customers should always write 0x00 to PTN5150A's internal address 0x09 to enable CON\_DET output.

## 5. Different Operation Modes

PTN5150A/PTN36043 application board can be configured to operate in either one of the following configurations.

- Host (DFP) Mode – connect to a host PC via a standard A-A cable (cables are not provided), and connect to a device via a USB-Type-C to Type-A adapter.

In this mode, the demo board can be powered by the USB3 host, and 5V source load switch (U2) is enabled to pass VBus power from Type-A side to Type-C side.



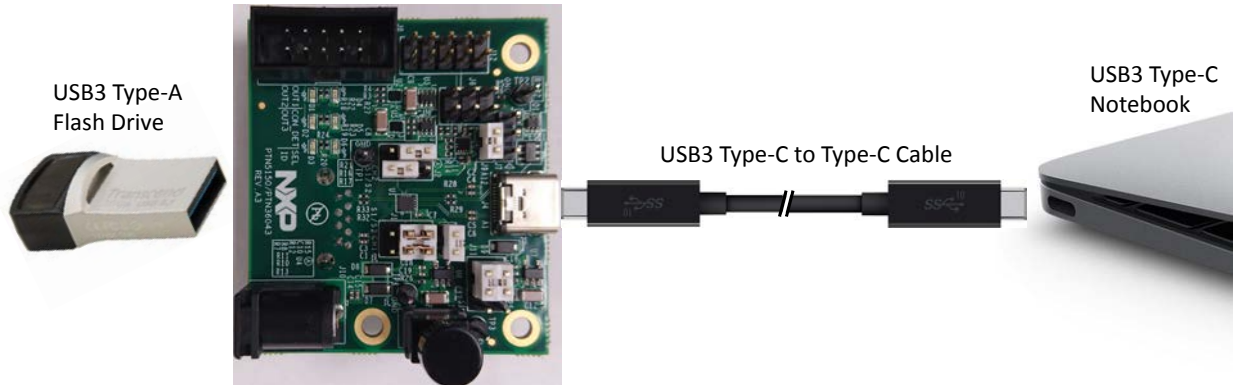
- Device (UFP) Mode – connect to a host PC (such as Macbook or Chromebook) via a standard type-C cable, and connect to a device (such as thumb drive) via on-board Type-A receptacle.

In this mode, the demo board can be powered by the USB3 Type-C host, and 5V sink load switch (U5) is enabled to pass VBus power from Type-C side to Type-A side.

# OM13584

PTN5150A USB Type-C CC Logic and PTN36043 SuperSpeed  
Active Demux Application Board User's Manual  
Rev. 2.0 - 8/8/16

---



## 6. Conclusion

---

Using PTN5150A/PTN36043 application board, customer can validate most of the functions on both USB3 redriver for type-C application, and also CC logic chip for orientation detection. On board load-switches can be enabled/disabled based on the detecting status of PTN5150A through simple discrete logic without any firmware control.

Компания «Океан Электроники» предлагает заключение долгосрочных отношений при поставках импортных электронных компонентов на взаимовыгодных условиях!

Наши преимущества:

- Поставка оригинальных импортных электронных компонентов напрямую с производств Америки, Европы и Азии, а так же с крупнейших складов мира;
- Широкая линейка поставок активных и пассивных импортных электронных компонентов (более 30 млн. наименований);
- Поставка сложных, дефицитных, либо снятых с производства позиций;
- Оперативные сроки поставки под заказ (от 5 рабочих дней);
- Экспресс доставка в любую точку России;
- Помощь Конструкторского Отдела и консультации квалифицированных инженеров;
- Техническая поддержка проекта, помощь в подборе аналогов, поставка прототипов;
- Поставка электронных компонентов под контролем ВП;
- Система менеджмента качества сертифицирована по Международному стандарту ISO 9001;
- При необходимости вся продукция военного и аэрокосмического назначения проходит испытания и сертификацию в лаборатории (по согласованию с заказчиком);
- Поставка специализированных компонентов военного и аэрокосмического уровня качества (Xilinx, Altera, Analog Devices, Intersil, Interpoint, Microsemi, Actel, Aeroflex, Peregrine, VPT, Syfer, Eurofarad, Texas Instruments, MS Kennedy, Miteq, Cobham, E2V, MA-COM, Hittite, Mini-Circuits, General Dynamics и др.);

Компания «Океан Электроники» является официальным дистрибьютором и эксклюзивным представителем в России одного из крупнейших производителей разъемов военного и аэрокосмического назначения «JONHON», а так же официальным дистрибьютором и эксклюзивным представителем в России производителя высокотехнологичных и надежных решений для передачи СВЧ сигналов «FORSTAR».



## JONHON

«JONHON» (основан в 1970 г.)

Разъемы специального, военного и аэрокосмического назначения:

(Применяются в военной, авиационной, аэрокосмической, морской, железнодорожной, горно- и нефтедобывающей отраслях промышленности)

«FORSTAR» (основан в 1998 г.)

ВЧ соединители, коаксиальные кабели, кабельные сборки и микроволновые компоненты:

(Применяются в телекоммуникациях гражданского и специального назначения, в средствах связи, РЛС, а так же военной, авиационной и аэрокосмической отраслях промышленности).



Телефон: 8 (812) 309-75-97 (многоканальный)

Факс: 8 (812) 320-03-32

Электронная почта: [ocean@oceanchips.ru](mailto:ocean@oceanchips.ru)

Web: <http://oceanchips.ru/>

Адрес: 198099, г. Санкт-Петербург, ул. Калинина, д. 2, корп. 4, лит. А