

**ZXGD3005E6**

**25V 10A GATE DRIVER IN SOT26**

**Description and Applications**

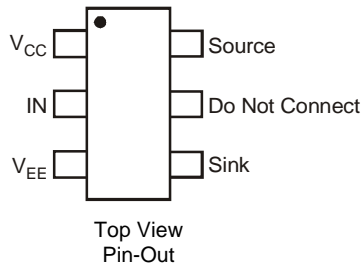
The ZXGD3005E6 is a high-speed non-inverting single gate driver capable of driving up to 10A into a MOSFET or IGBT gate capacitive load from supply voltages up to 25V. With propagation delay times down to <10ns and correspondingly rise/fall times of <20ns.

This gate driver ensures rapid switching of the MOSFET or IGBT to minimize power losses and distortion in high current switching applications. It is ideally suited to act as a voltage buffer between the typically high output impedances of a controller IC and the effectively low impedance on the gate of a power MOSFET or IGBT during switching. Its low input voltage requirement and high current gain allows high current driving from low voltage controller ICs.

The ZXGD3005E6 has separate source and sink outputs that enables the turn-on and turn-off times of the MOSFET or IGBT to be independently controlled. In addition, the wide supply voltage range allows full enhancement of the MOSFET or IGBT to minimize on-state losses and permits +15V to -5V gate drive voltage to prevent dV/dt induced false triggering of IGBTs. The ZXGD3005E6 has been designed to be inherently rugged to latch-up and shoot-through issues. The optimized pin-out SOT26 package eases board layout, enabling reduced parasitic inductance of traces.

Power MOSFET and IGBT Gate Driving in:

- Synchronous switch-mode power supplies
- Power Factor Correction (PFC) in power supplies
- Secondary side synchronous rectification
- Plasma Display Panel power modules
- 1, 2 and 3-phase motor control circuits
- Audio switching amplifier power output stages
- Solar inverters



Pin Name	Pin Function
V <sub>CC</sub>	Supply voltage high
IN	Driver input pin
V <sub>EE</sub>	Supply voltage low
SOURCE	Source current output
SINK	Sink current output

**Features and Benefits**

- Emitter-follower configuration for ultra-fast switching
  - <10ns propagation delay time
  - <20ns rise/fall time
- Non-inverting voltage buffer stage
- Wide supply voltage up to 25V to minimize on-losses
- 10A peak current drive into capacitive loads
- Low input current of 1mA to deliver 4A output current
- Separate source and sink outputs for independent control of rise and fall time
- Optimized pin-out to ease board layout and minimize parasitic inductance of traces
- Rugged design that avoids latch-up or shoot-through issues
- Near - Zero quiescent supply current
- **“Lead-Free”, RoHS Compliant (Note 1)**
- **“Green” Devices (Note 2)**
- **Qualified to AEC-Q101 Standards for High Reliability**

**Mechanical Data**

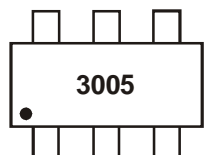
- Case: SOT26
- Case material: Molded Plastic. “Green” Molding Compound.
- UL Flammability Rating 94V-0
- Moisture Sensitivity: Level 1 per J-STD-020
- Terminals: Matte Tin Finish
- Weight: 0.018 grams (approximate)

**Ordering Information** (Note 3)

Product	Marking	Reel size (inches)	Tape width (mm)	Quantity per reel
ZXGD3005E6TA	3005	7	8	3000

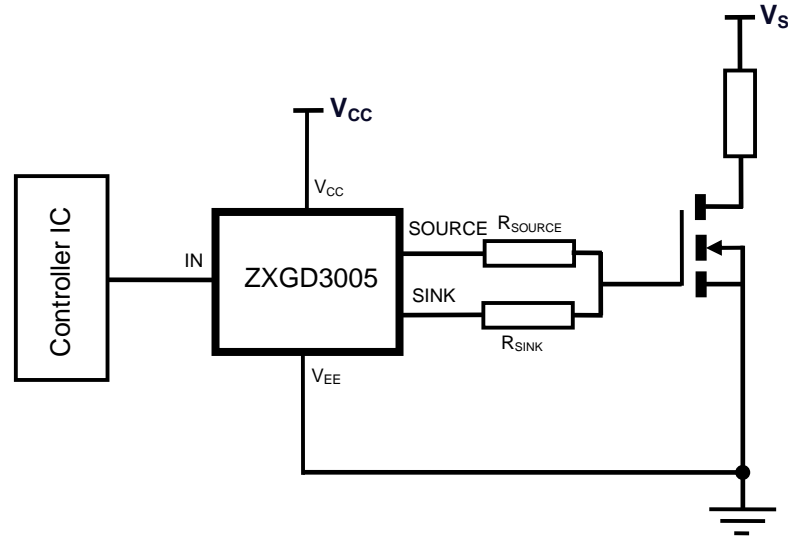
- Notes:
1. No purposefully added lead
  2. “Green” devices, Halogen and Antimony Free, Diodes Inc’s “Green” Policy can be found on our website at <http://www.diodes.com>
  3. For packaging details, go to our website at <http://www.diodes.com>

**Marking Information**



3005 = Product Type Marking Code

## Typical Application Circuit



## Maximum Ratings @ $T_A = 25^\circ\text{C}$ unless otherwise specified

Characteristic	Symbol	Value	Unit
Supply voltage, with respect to $V_{EE}$	$V_{CC}$	25	V
Input voltage, with respect to $V_{EE}$	$V_{IN}$	25	V
Output difference voltage (Source – Sink)	$\Delta V_{(\text{source-sink})}$	$\pm 7.5$	V
Peak output current	$I_{PK}$	$\pm 10$	A
Input current	$I_{IN}$	$\pm 100$	mA

## Thermal Characteristics @ $T_A = 25^\circ\text{C}$ unless otherwise specified

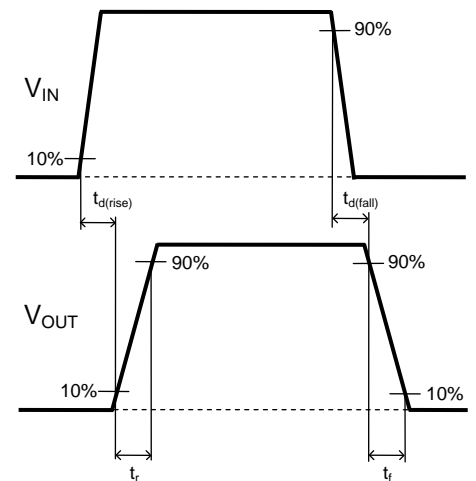
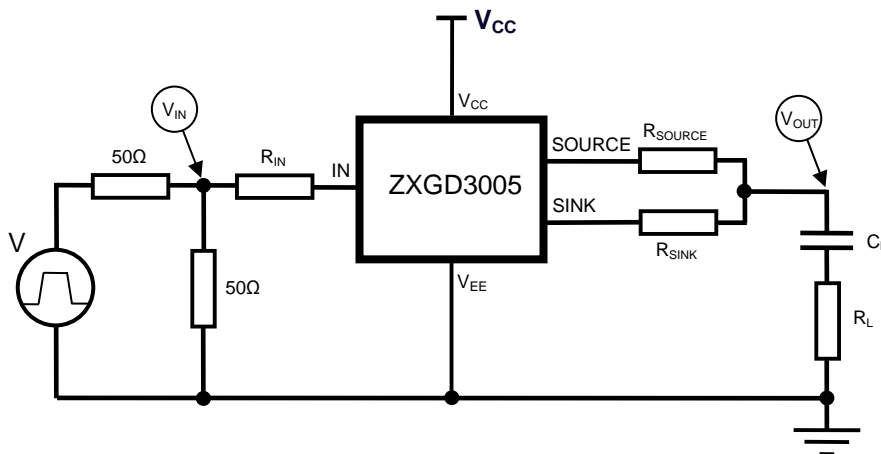
Characteristic	Symbol	Value	Unit
Power Dissipation (Notes 4 & 5)	$P_D$	1.1	W
Linear derating factor		8.8	mW/ $^\circ\text{C}$
Thermal Resistance, Junction to Ambient (Notes 4 & 5)	$R_{\theta JA}$	113	$^\circ\text{C}/\text{W}$
Thermal Resistance, Junction to Lead (Note 6)	$R_{\theta JL}$	105	
Operating and Storage Temperature Range	$T_J, T_{STG}$	-55 to +150	$^\circ\text{C}$

- Notes:
4. For a device surface mounted on 25mm x 25mm x 0.6mm FR4 PCB with high coverage of single sided 1oz copper, in still air conditions; the device is measured when operating in a steady-state condition. The heatsink is split in half with the pin 1 ( $V_{CC}$ ) and pin 3 ( $V_{EE}$ ) connected separately to each half.
  5. For device with two active die running at equal power.
  6. Thermal resistance from junction to solder-point at the end of each lead on pin 1 ( $V_{CC}$ ) and pin 3 ( $V_{EE}$ ).

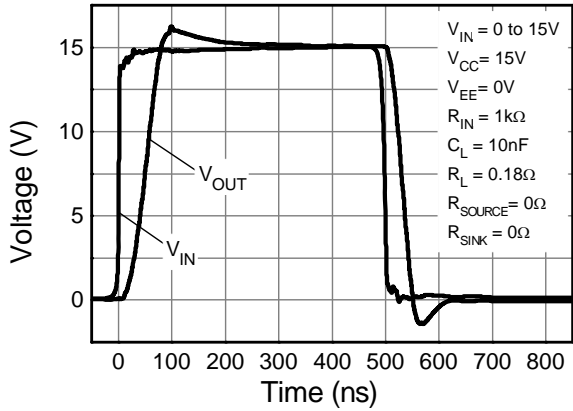
**Electrical Characteristics** @ $T_A = 25^\circ\text{C}$  unless otherwise specified

Characteristic	Symbol	Min	Typ	Max	Unit	Test Condition
Output voltage, high	$V_{OH}$	-	$V_{CC} - 0.8$	-	V	$V_{IN} = V_{CC}$
Output voltage, low	$V_{OL}$	-	$V_{EE} + 0.2$	$V_{EE} + 0.5$		$V_{IN} = V_{EE}$
Supply breakdown voltage	$BV_{CC}$	25	-	-	V	$I_Q = 100\mu\text{A}, V_{IN} = V_{CC}$
		25	-	-		$I_Q = 100\mu\text{A}, V_{IN} = V_{EE} = 0\text{V}$
Quiescent supply current	$I_Q$	-	-	50	nA	$V_{CC} = 20\text{V}, V_{IN} = V_{CC}$
		-	-	50		$V_{CC} = 20\text{V}, V_{IN} = V_{EE} = 0\text{V}$
Source current	$I_{(source)}$	-	4.0	-	A	$V_{CC} = 5\text{V}, I_{IN} = 1\text{mA}, V_{OUT} = 0\text{V}$
Sink current	$I_{(sink)}$	-	3.8	-		$V_{CC} = 5\text{V}, I_{IN} = -1\text{mA}, V_{OUT} = 5\text{V}$
Source current with varying input resistances	$I_{(source)}$	-	6.4	-	A	$V_{CC} = 15\text{V}, V_{EE} = 0\text{V}$ $V_{IN} = 15\text{V}$ $C_L = 100\text{nF}, R_L = 0.18\Omega$ $R_{SOURCE} = 0\Omega, R_{SINK} = 0\Omega$
			5.5			
			3.9			
			2.2			
			0.44			
Sink current with varying input resistances	$I_{(sink)}$	-	7.7	-	A	$V_{CC} = 15\text{V}, V_{EE} = 0\text{V}$ $V_{IN} = 15\text{V}$ $C_L = 100\text{nF}, R_L = 0.18\Omega$ $R_{SOURCE} = 0\Omega, R_{SINK} = 0\Omega$
			6.5			
			4.4			
			2.3			
			0.46			
Switching times with low load capacitance $C_L = 10\text{nF}$	$t_{d(rise)}$ $t_r$ $t_{d(fall)}$ $t_f$	-	8	-	ns	$V_{CC} = 15\text{V}, V_{EE} = 0\text{V}$ $V_{IN} = 0 \text{ to } 15\text{V}$ $R_{IN} = 1\text{k}\Omega$ $C_L = 10\text{nF}, R_L = 0.18\Omega$ $R_{SOURCE} = 0\Omega, R_{SINK} = 0\Omega$
			48			
			16			
			35			
Switching times with high load capacitance $C_L = 100\text{nF}$	$t_{d(rise)}$ $t_r$ $t_{d(fall)}$ $t_f$	-	46	-	ns	$V_{CC} = 15\text{V}, V_{EE} = 0\text{V}$ $V_{IN} = 0 \text{ to } 15\text{V}$ $R_{IN} = 1\text{k}\Omega$ $C_L = 100\text{nF}, R_L = 0.18\Omega$ $R_{SOURCE} = 0\Omega, R_{SINK} = 0\Omega$
			419			
			47			
			467			
Switching times with asymmetric source and sink resistors	$t_{d(rise)}$ $t_r$ $t_{d(fall)}$ $t_f$	-	24	-	ns	$V_{CC} = 15\text{V}, V_{EE} = -5\text{V}$ $V_{IN} = -5 \text{ to } 15\text{V}$ $R_{IN} = 1\text{k}\Omega$ $C_L = 10\text{nF}, R_L = 0.18\Omega$ $R_{SOURCE} = 4.7\Omega, R_{SINK} = 0\Omega$
			133			
			16			
			37			

**Switching Test Circuit and Timing Diagram**

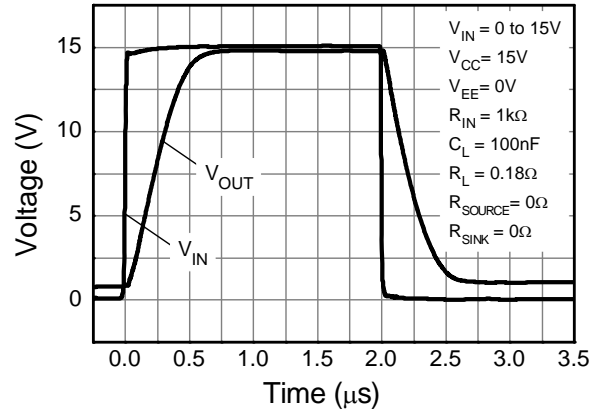


**Typical Switching Characteristics** @ $T_A = 25^\circ\text{C}$  unless otherwise specified



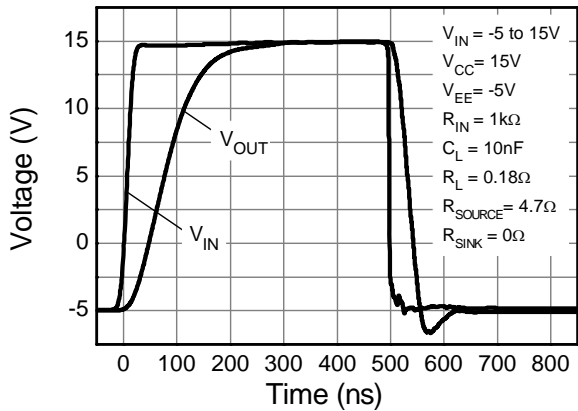
**Switching Speed**

Low Load Capacitance  $C_L = 10\text{nF}$



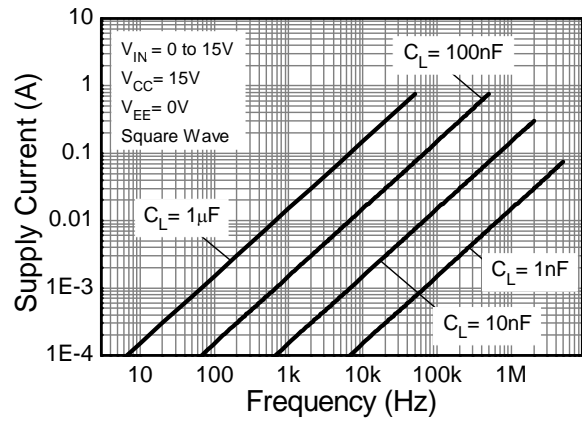
**Switching Speed**

High Load Capacitance  $C_L = 100\text{nF}$



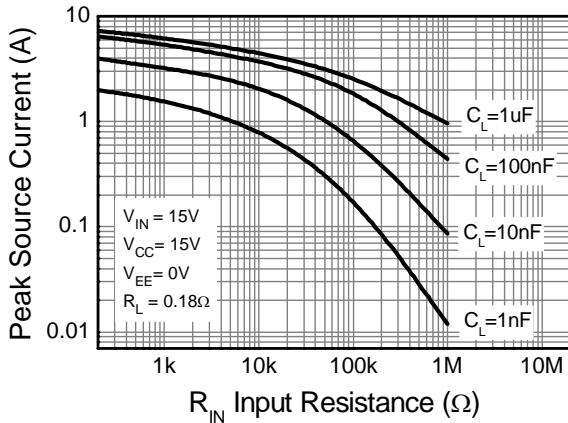
**Switching Speed**

Asymmetric Source and Sink Resistors

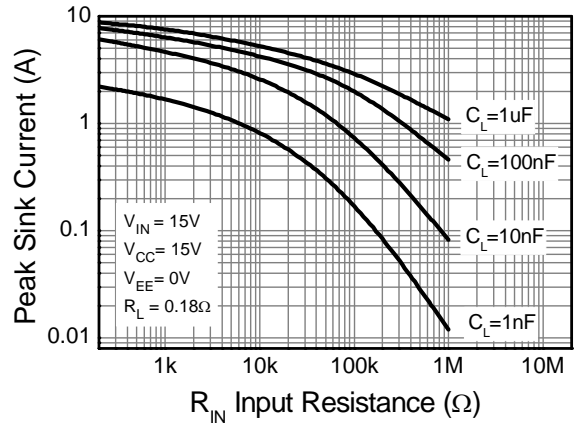


**Supply Current**

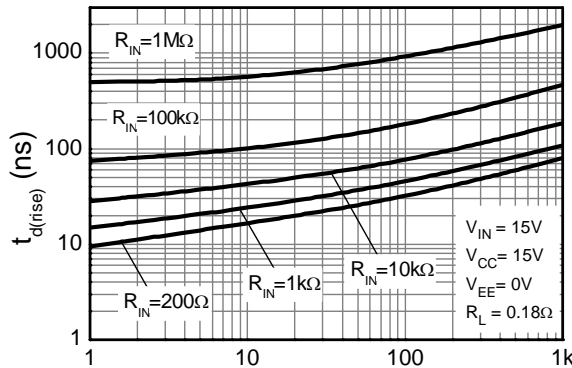
**Typical Switching Characteristics** @ $T_A = 25^\circ\text{C}$  unless otherwise specified



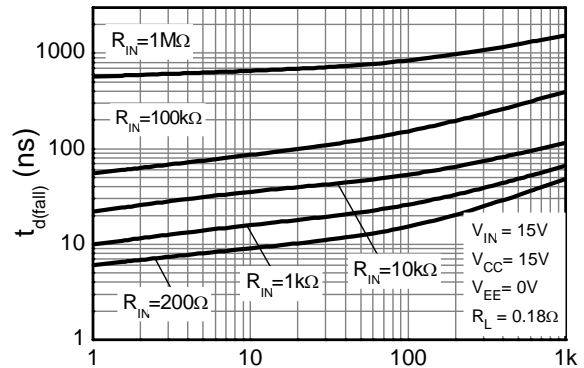
**Source Current vs. Input Resistance**



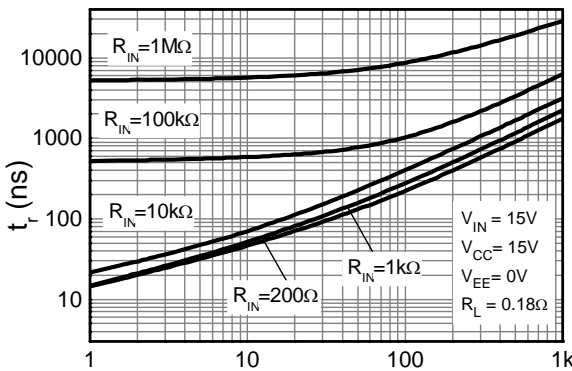
**Sink Current vs. Input Resistance**



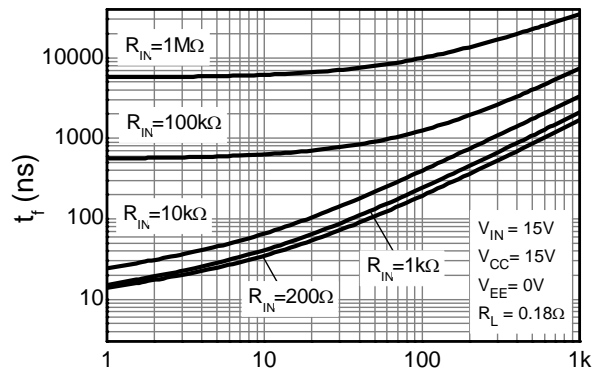
**Turn-On Delay Time**



**Turn-Off Delay Time**



**Turn-On Rise Time**



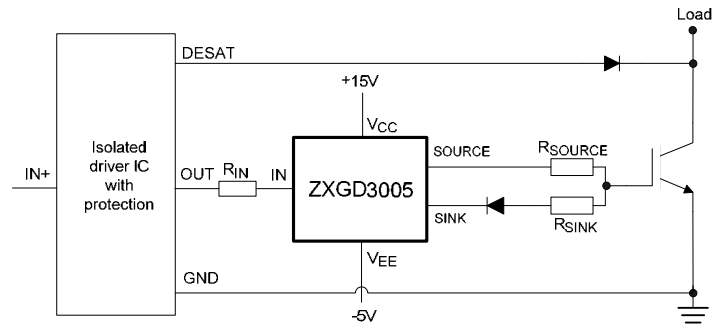
**Turn-Off Fall Time**

**Application Notes**

**Independent control of rise and fall time**

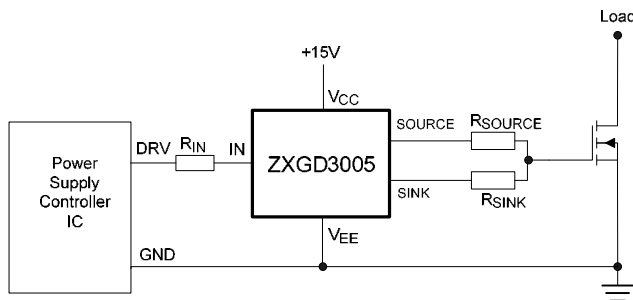
An application may require the turn-on ( $t_{on}$ ) and turn-off ( $t_{off}$ ) time to be independently controlled, which can be achieved by setting different  $R_{SOURCE}$  and  $R_{SINK}$  values. With asymmetric  $R_{SOURCE}$  and  $R_{SINK}$  resistors, then a potential difference will occur between the SOURCE and SINK pins during the switching transition. If the potential difference across the SOURCE and SINK pins is greater than 7.5V, then it could damage the ZXGD3005.

In this circuit example of driving an IGBT, a blocking diode is added in series with  $R_{SINK}$  to protect against excess reverse current being induced into the SINK pin.

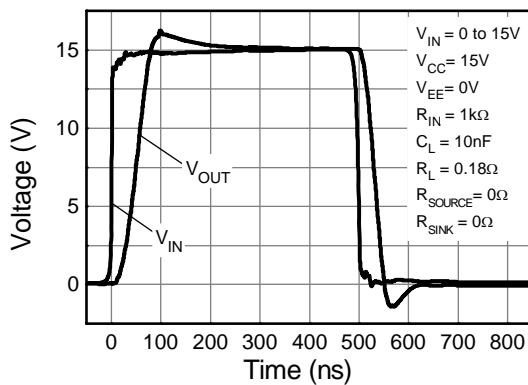


**Circuit example of driving a MOSFET**

Application example of gate driving a MOSFET from 0 to 15V with  $R_{SOURCE} = R_{SINK} = 0\Omega$



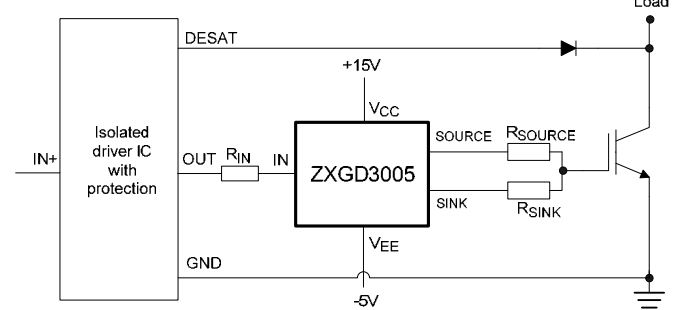
**Switching Time Characteristic**



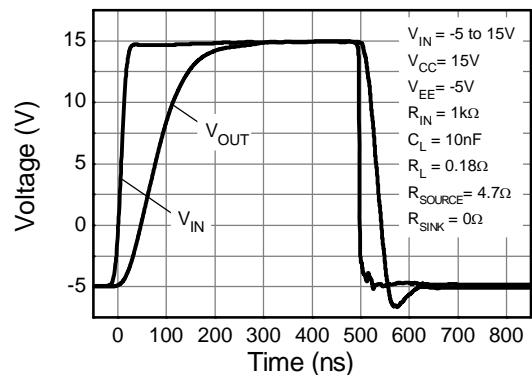
Symmetric Source and Sink Resistors

**Circuit example of driving an IGBT**

Application example of gate driving an IGBT with independent  $t_{on}$  and  $t_{off}$  using asymmetric  $R_{SOURCE}$  and  $R_{SINK}$ . In addition, the gate is driven from -5 to +15V to prevent dV/dt induced false triggering.

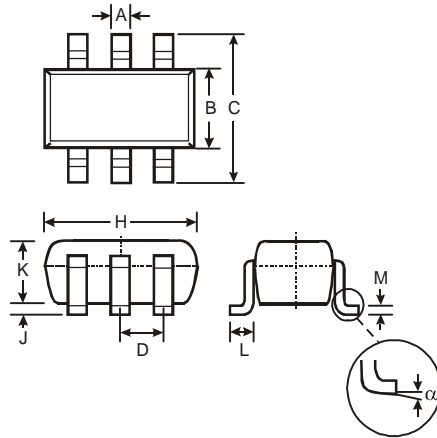


**Switching Time Characteristic**



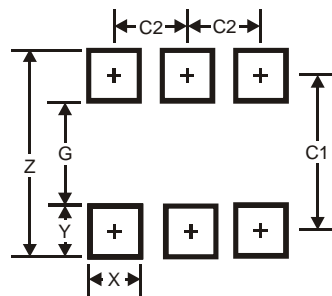
Asymmetric Source and Sink Resistors

**Package Outline Dimensions**



SOT26			
Dim	Min	Max	Typ
A	0.35	0.50	0.38
B	1.50	1.70	1.60
C	2.70	3.00	2.80
D	—	—	0.95
H	2.90	3.10	3.00
J	0.013	0.10	0.05
K	1.00	1.30	1.10
L	0.35	0.55	0.40
M	0.10	0.20	0.15
α	0°	8°	—
All Dimensions in mm			

**Suggested Pad Layout**



Dimensions	Value (in mm)
Z	3.20
G	1.60
X	0.55
Y	0.80
C1	2.40
C2	0.95

**IMPORTANT NOTICE**

DIODES INCORPORATED MAKES NO WARRANTY OF ANY KIND, EXPRESS OR IMPLIED, WITH REGARDS TO THIS DOCUMENT, INCLUDING, BUT NOT LIMITED TO, THE IMPLIED WARRANTIES OF MERCHANTABILITY AND FITNESS FOR A PARTICULAR PURPOSE (AND THEIR EQUIVALENTS UNDER THE LAWS OF ANY JURISDICTION).

Diodes Incorporated and its subsidiaries reserve the right to make modifications, enhancements, improvements, corrections or other changes without further notice to this document and any product described herein. Diodes Incorporated does not assume any liability arising out of the application or use of this document or any product described herein; neither does Diodes Incorporated convey any license under its patent or trademark rights, nor the rights of others. Any Customer or user of this document or products described herein in such applications shall assume all risks of such use and will agree to hold Diodes Incorporated and all the companies whose products are represented on Diodes Incorporated website, harmless against all damages.

Diodes Incorporated does not warrant or accept any liability whatsoever in respect of any products purchased through unauthorized sales channel. Should Customers purchase or use Diodes Incorporated products for any unintended or unauthorized application, Customers shall indemnify and hold Diodes Incorporated and its representatives harmless against all claims, damages, expenses, and attorney fees arising out of, directly or indirectly, any claim of personal injury or death associated with such unintended or unauthorized application.

Products described herein may be covered by one or more United States, international or foreign patents pending. Product names and markings noted herein may also be covered by one or more United States, international or foreign trademarks.

**LIFE SUPPORT**

Diodes Incorporated products are specifically not authorized for use as critical components in life support devices or systems without the express written approval of the Chief Executive Officer of Diodes Incorporated. As used herein:

A. Life support devices or systems are devices or systems which:

1. are intended to implant into the body, or
2. support or sustain life and whose failure to perform when properly used in accordance with instructions for use provided in the labeling can be reasonably expected to result in significant injury to the user.

B. A critical component is any component in a life support device or system whose failure to perform can be reasonably expected to cause the failure of the life support device or to affect its safety or effectiveness.

Customers represent that they have all necessary expertise in the safety and regulatory ramifications of their life support devices or systems, and acknowledge and agree that they are solely responsible for all legal, regulatory and safety-related requirements concerning their products and any use of Diodes Incorporated products in such safety-critical, life support devices or systems, notwithstanding any devices- or systems-related information or support that may be provided by Diodes Incorporated. Further, Customers must fully indemnify Diodes Incorporated and its representatives against any damages arising out of the use of Diodes Incorporated products in such safety-critical, life support devices or systems.

Copyright © 2011, Diodes Incorporated

[www.diodes.com](http://www.diodes.com)



Компания «Океан Электроники» предлагает заключение долгосрочных отношений при поставках импортных электронных компонентов на взаимовыгодных условиях!

Наши преимущества:

- Поставка оригинальных импортных электронных компонентов напрямую с производств Америки, Европы и Азии, а так же с крупнейших складов мира;
- Широкая линейка поставок активных и пассивных импортных электронных компонентов (более 30 млн. наименований);
- Поставка сложных, дефицитных, либо снятых с производства позиций;
- Оперативные сроки поставки под заказ (от 5 рабочих дней);
- Экспресс доставка в любую точку России;
- Помощь Конструкторского Отдела и консультации квалифицированных инженеров;
- Техническая поддержка проекта, помощь в подборе аналогов, поставка прототипов;
- Поставка электронных компонентов под контролем ВП;
- Система менеджмента качества сертифицирована по Международному стандарту ISO 9001;
- При необходимости вся продукция военного и аэрокосмического назначения проходит испытания и сертификацию в лаборатории (по согласованию с заказчиком);
- Поставка специализированных компонентов военного и аэрокосмического уровня качества (Xilinx, Altera, Analog Devices, Intersil, Interpoint, Microsemi, Actel, Aeroflex, Peregrine, VPT, Syfer, Eurofarad, Texas Instruments, MS Kennedy, Miteq, Cobham, E2V, MA-COM, Hittite, Mini-Circuits, General Dynamics и др.);

Компания «Океан Электроники» является официальным дистрибьютором и эксклюзивным представителем в России одного из крупнейших производителей разъемов военного и аэрокосмического назначения «JONHON», а так же официальным дистрибьютором и эксклюзивным представителем в России производителя высокотехнологичных и надежных решений для передачи СВЧ сигналов «FORSTAR».



## JONHON

«JONHON» (основан в 1970 г.)

Разъемы специального, военного и аэрокосмического назначения:

(Применяются в военной, авиационной, аэрокосмической, морской, железнодорожной, горно- и нефтедобывающей отраслях промышленности)

«FORSTAR» (основан в 1998 г.)

ВЧ соединители, коаксиальные кабели, кабельные сборки и микроволновые компоненты:

(Применяются в телекоммуникациях гражданского и специального назначения, в средствах связи, РЛС, а так же военной, авиационной и аэрокосмической отраслях промышленности).



Телефон: 8 (812) 309-75-97 (многоканальный)

Факс: 8 (812) 320-03-32

Электронная почта: [ocean@oceanchips.ru](mailto:ocean@oceanchips.ru)

Web: <http://oceanchips.ru/>

Адрес: 198099, г. Санкт-Петербург, ул. Калинина, д. 2, корп. 4, лит. А