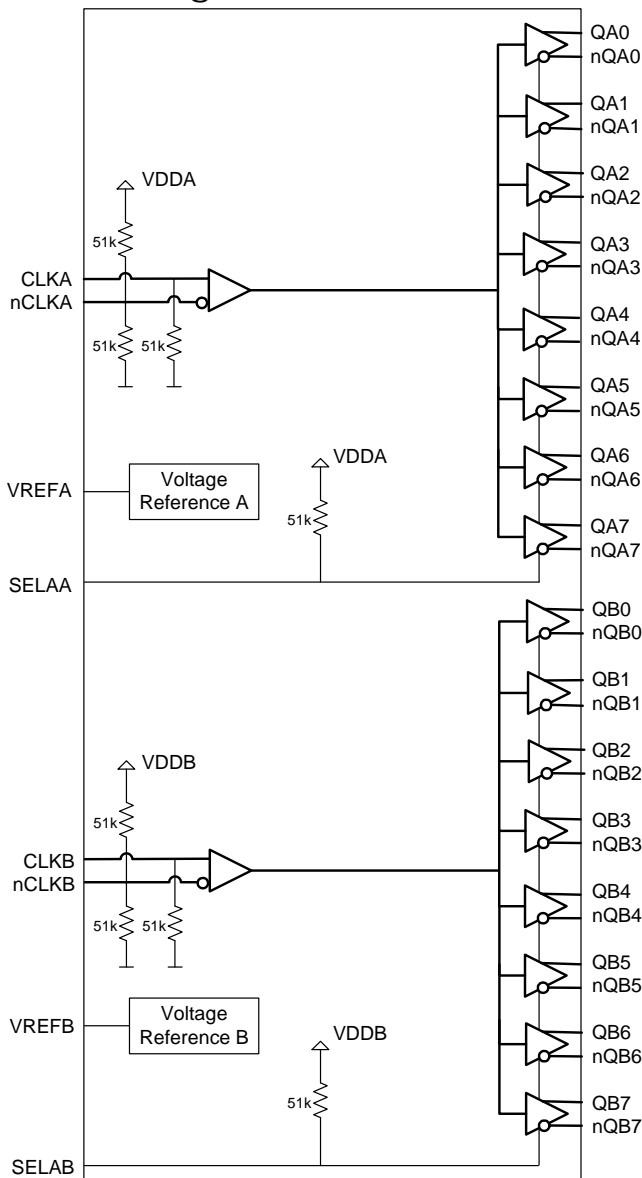


## Description

The 8P34S2108 is a high-performance, low-power, differential dual 1:8 LVDS output 1.8V fanout buffer. The device is designed for the fanout of high-frequency, very low additive phase-noise clock and data signals. Two independent buffer channels are available, each channel has two low skew outputs. High isolation between channels minimizes noise coupling. AC characteristics such as propagation delay are matched between channels. Guaranteed output-to-output and part-to-part skew characteristics make the 8P34S2108 ideal for those clock distribution applications demanding well-defined performance and repeatability. The device is characterized to operate from a 1.8V power supply. The integrated bias voltage references enable easy interfacing AC-coupled signals to the device inputs.

## Block Diagram



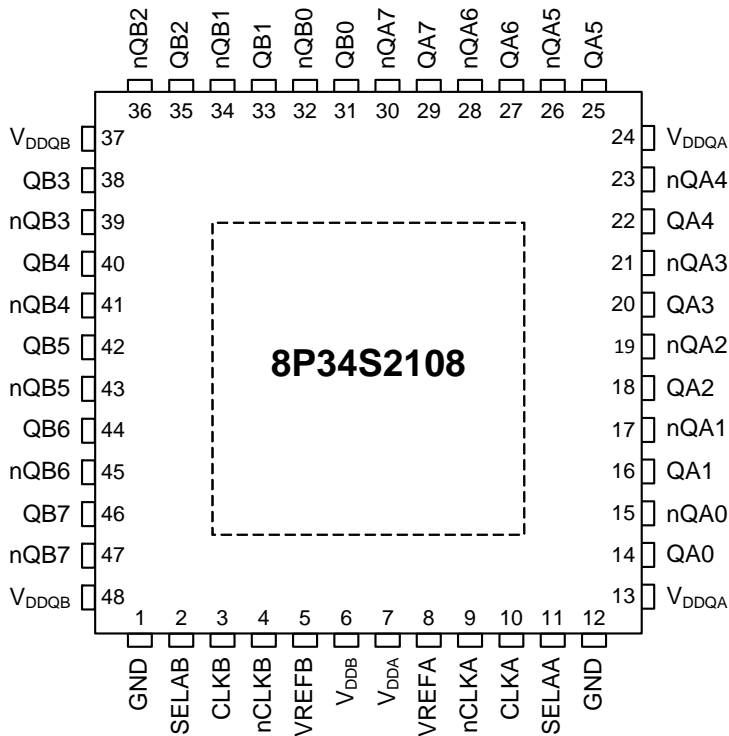
8P34S2108 transistor count: 1113

## Features

- Dual 1:8 low skew, low additive jitter LVDS fanout buffers
- Matched AC characteristics across both channels
- High isolation between channels
- Low power consumption
- Both differential CLKA, nCLKA and CLKB, nCLKB inputs accept LVDS, LVPECL and single-ended LVCMOS levels
- Maximum input clock frequency: 2GHz
- Output amplitudes: 350mV, 500mV (selectable)
- Output bank skew: 10ps typical
- Output skew: 20ps typical
- Low additive phase jitter, RMS: 45fs typical ( $f_{REF} = 156.25\text{MHz}$ , 12kHz - 20MHz)
- Full 1.8V supply voltage mode
- Device current consumption ( $I_{DD}$ ): 280mA typical
- Lead-free (RoHS 6), 48-lead VFQFN packaging
- -40°C to 85°C ambient operating temperature
- Supports case temperature up to 105°C

## Pin Assignments

Figure 1. Pin Assignments for 7mm x 7mm VQFN Package – Top View



## Pin Descriptions

Table 1. Pin Descriptions<sup>[a]</sup>

| Number | Name              | Type          | Description  |
|--------|-------------------|---------------|--|
| 1      | GND               | Power         | Power supply ground.                                       |
| 2      | SELAB             | Input [PU]    | Control input. Output amplitude select for channel B.      |
| 3      | CLKB              | Input [PD]    | Non-inverting differential clock/data input for channel B. |
| 4      | nCLKB             | Input [PD/PU] | Inverting differential clock/data input for channel B.     |
| 5      | VREFB             | Output        | Bias voltage reference for the CLKB, nCLKB input pairs.    |
| 6      | V <sub>DDB</sub>  | Power         | Power supply pins for the core and inputs of channel B.    |
| 7      | V <sub>DDA</sub>  | Power         | Power supply pins for the core and inputs of channel A.    |
| 8      | VREFA             | Output        | Bias voltage reference for the CLKA, nCLKA input pairs.    |
| 9      | nCLKA             | Input [PD/PU] | Inverting differential clock/data input.                   |
| 10     | CLKA              | Input [PD]    | Non-inverting differential clock/data input.               |
| 11     | SELAA             | Input [PU]    | Control input: Output amplitude select for channel A.      |
| 12     | GND               | Power         | Power supply ground.                                       |
| 13     | V <sub>DDQA</sub> | Power         | Power supply pin for the channel A outputs QA[0:7].        |
| 14     | QA0               | Output        | Differential output pair A0. LVDS interface levels.        |
| 15     | nQA0              | Output        | Differential output pair A0. LVDS interface levels.        |

Table 1. Pin Descriptions<sup>[a]</sup>

| Number | Name              | Type   | Description   |
|--------|-------------------|--------|---|
| 16     | QA1               | Output | Differential output pair A1. LVDS interface levels. |
| 17     | nQA1              | Output | Differential output pair A1. LVDS interface levels. |
| 18     | QA2               | Output | Differential output pair A2. LVDS interface levels. |
| 19     | nQA2              | Output | Differential output pair A2. LVDS interface levels. |
| 20     | QA3               | Output | Differential output pair A3. LVDS interface levels. |
| 21     | nQA3              | Output | Differential output pair A3. LVDS interface levels. |
| 22     | QA4               | Output | Differential output pair A4. LVDS interface levels. |
| 23     | nQA4              | Output | Differential output pair A4. LVDS interface levels. |
| 24     | V <sub>DDQA</sub> | Power  | Power supply pin for the channel A outputs QA[0:7]. |
| 25     | QA5               | Output | Differential output pair A5. LVDS interface levels. |
| 26     | nQA5              | Output | Differential output pair A5. LVDS interface levels. |
| 27     | QA6               | Output | Differential output pair A6. LVDS interface levels. |
| 28     | nQA6              | Output | Differential output pair A6. LVDS interface levels. |
| 29     | QA7               | Output | Differential output pair A7. LVDS interface levels. |
| 30     | nQA7              | Output | Differential output pair A7. LVDS interface levels. |
| 31     | QB0               | Output | Differential output pair B0. LVDS interface levels. |
| 32     | nQB0              | Output | Differential output pair B0. LVDS interface levels. |
| 33     | QB1               | Output | Differential output pair B1. LVDS interface levels. |
| 34     | nQB1              | Output | Differential output pair B1. LVDS interface levels. |
| 35     | QB2               | Output | Differential output pair B2. LVDS interface levels. |
| 36     | nQB2              | Output | Differential output pair B2. LVDS interface levels. |
| 37     | V <sub>DDQB</sub> | Power  | Power supply pin for the channel B outputs QB[0:7]. |
| 38     | QB3               | Output | Differential output pair B3. LVDS interface levels. |
| 39     | nQB3              | Output | Differential output pair B3. LVDS interface levels. |
| 40     | QB4               | Output | Differential output pair B4. LVDS interface levels. |
| 41     | nQB4              | Output | Differential output pair B4. LVDS interface levels. |
| 42     | QB5               | Output | Differential output pair B5. LVDS interface levels. |
| 43     | nQB5              | Output | Differential output pair B5. LVDS interface levels. |
| 44     | QB6               | Output | Differential output pair B6. LVDS interface levels. |
| 45     | nQB6              | Output | Differential output pair B6. LVDS interface levels. |

Table 1. Pin Descriptions<sup>[a]</sup>

| Number | Name              | Type   | Description   |
|--------|-------------------|--------|---|
| 46     | QB7               | Output | Differential output pair B7. LVDS interface levels. |
| 47     | nQB7              | Output | Differential output pair B7. LVDS interface levels. |
| 48     | V <sub>DDQB</sub> | Power  | Power supply pin for the channel B outputs QB[0:7]. |
| ePad   | GND_EPAD          | Power  | Exposed pad of package. Connect to ground.          |

[a] Pull-up (PU) and pull-down (PD) resistors are indicated in parentheses. *Pull-up* and *pull-down* refers to internal input resistors. See [Table 5, DC Input Characteristics](#), for typical values.

## Function Tables

Table 2. SELAA Bank A Output Amplitude Selection Table

| SELAA       | QA Output Amplitude (mV) |
|-------------|--------------------------|
| 0           | 350                      |
| 1 (default) | 500                      |

Table 3. SELAB Bank B Output Amplitude Selection Table

| SELAB       | QB Output Amplitude (mV) |
|-------------|--------------------------|
| 0           | 350                      |
| 1 (default) | 500                      |

## Absolute Maximum Ratings

NOTE: The absolute maximum ratings are stress ratings only. Stresses greater than those listed below can cause permanent damage to the device. Functional operation of the 8P34S2108 at absolute maximum ratings is not implied. Exposure to absolute maximum rating conditions may affect device reliability.

Table 4. Absolute Maximum Ratings

| Item  | Rating         |
|---|----------------|
| Supply voltage, $V_{DD}^{[a]}$                        | 3.6V           |
| Inputs, $V_I$   | -0.5V to 3.6V  |
| Outputs, $I_O$<br>Continuous current<br>Surge current | 10mA<br>15mA   |
| Input sink/source, $I_{REF}$                          | $\pm 2$ mA     |
| Maximum Junction Temperature, $T_{J,MAX}$             | 125°C          |
| Storage Temperature, $T_{STG}$                        | -65°C to 150°C |
| ESD - Human Body Model <sup>[b]</sup>                 | 2000V          |
| ESD - Charged Device Model <sup>[b]</sup>             | 1500V          |

[a]  $V_{DD}$  denotes  $V_{DDA}$ ,  $V_{DDB}$ .

[b] According to JEDEC JS-001-2012/JESD22-C101E.

## DC Electrical Characteristics

Table 5. DC Input Characteristics

| Symbol         | Parameter                | Test Conditions | Minimum | Typical | Maximum | Units      |
|----------------|--------------------------|-----------------|---------|---------|---------|------------|
| $C_{IN}$       | Input capacitance        |                 |         | 2       |         | pF         |
| $R_{PULLDOWN}$ | Input pull-down resistor |                 |         | 51      |         | k $\Omega$ |
| $R_{PULLUP}$   | Input pull-up resistor   |                 |         | 51      |         | k $\Omega$ |

 Table 6. Power Supply DC Characteristics,  $V_{DDA} = V_{DDB} = V_{DDQA} = V_{DDQB} = 1.8V \pm 5\%$ ,  $T_A = -40^\circ\text{C}$  to  $85^\circ\text{C}$ 

| Symbol   | Parameter                         |  | Test Conditions | Minimum | Typical | Maximum | Units |
|--|-----------------------------------|--|-----------------|---------|---------|---------|-------|
| $V_{DDQA}$ ,<br>$V_{DDQB}$                               | Power supply voltage              |  |                 | 1.71    | 1.8     | 1.89    | V     |
| $V_{DDQA}$ ,<br>$V_{DDQB}$                               | Output supply voltage             |  |                 | 1.71    | 1.8     | 1.89    | V     |
| $I_{DDA} +$<br>$I_{DDB} +$<br>$I_{DDQA} +$<br>$I_{DDQB}$ | Core and output<br>supply current | QA[0:7], QB[0:7]<br>outputs terminated<br>100 $\Omega$ between nQx, Qx | 500mV amplitude |         | 400     | 495     | mA    |
|  |                                   |  | 350mV amplitude |         | 280     | 345     | mA    |

Table 7. LVCMOS Inputs DC Characteristics,  $V_{DDA} = V_{DDB} = V_{DDQA} = V_{DDQB} = 1.8V \pm 5\%$ ,  
 $T_A = -40^{\circ}C$  to  $85^{\circ}C$ 

| Symbol   | Parameter          |              | Test Conditions                     | Minimum                   | Typical | Maximum                   | Units   |
|----------|--------------------|--------------|-------------------------------------|---------------------------|---------|---------------------------|---------|
| $V_{IH}$ | Input high voltage | SELAA, SELAB |                                     | $0.75 \cdot V_{DD}^{[a]}$ |         | $V_{DD}^{[a]} + 0.3$      | V       |
| $V_{IL}$ | Input low voltage  | SELAA, SELAB |                                     | -0.3                      |         | $0.25 \cdot V_{DD}^{[a]}$ | V       |
| $I_{IH}$ | Input high current | SELAA, SELAB | $V_{IN} = V_{DD}^{[a]} = 1.89V$     |                           |         | 10                        | $\mu A$ |
| $I_{IL}$ | Input low current  | SELAA, SELAB | $V_{IN} = 0V, V_{DD}^{[a]} = 1.89V$ | -150                      |         |                           | $\mu A$ |

[a]  $V_{DD}$  denotes  $V_{DDA}, V_{DDB}$ .

 Table 8. Differential Inputs Characteristics,  $V_{DDA} = V_{DDB} = V_{DDQA} = V_{DDQB} = 1.8V \pm 5\%$ ,  $T_A = -40^{\circ}C$  to  $85^{\circ}C$ 

| Symbol   | Parameter                        |                            | Test Conditions                            | Minimum | Typical | Maximum | Units   |
|----------|----------------------------------|----------------------------|--|---------|---------|---------|---------|
| $I_{IH}$ | Input high current               | CLKA, nCLKA<br>CLKB, nCLKB | $V_{IN} = V_{DD}^{[a]} = 1.89V$            |         |         | 150     | $\mu A$ |
| $I_{IL}$ | Input low current                | CLKA, CLKB                 | $V_{IN} = 0V, V_{DD}^{[a]} = 1.89V$        | -10     |         |         | $\mu A$ |
|          |                                  | nCLKA, nCLKB               | $V_{IN} = 0V, V_{DD}^{[a]} = 1.89V$        | -150    |         |         | $\mu A$ |
| VREFA, B | Reference voltage <sup>[b]</sup> |                            | $I_{REF} = +100\mu A, V_{DD}^{[a]} = 1.8V$ | 0.9     |         | 1.30    | V       |

[a]  $V_{DD}$  denotes  $V_{DDA}, V_{DDB}$ .

[b] VREF[A:B] specification is applicable to the AC-coupled input interfaces shown in [Figure 5](#) and [Figure 6](#).

 Table 9. LVDS DC Characteristics,  $V_{DDA} = V_{DDB} = V_{DDQA} = V_{DDQB} = 1.8V \pm 5\%$ ,  $T_A = -40^{\circ}C$  to  $85^{\circ}C$ 

| Symbol          | Parameter                 | Test Conditions | Minimum | Typical | Maximum | Units |
|-----------------|---------------------------|-----------------|---------|---------|---------|-------|
| $\Delta V_{OD}$ | $V_{OD}$ Magnitude Change |                 |         |         | 50      | mV    |
| $\Delta V_{OS}$ | $V_{OS}$ Magnitude Change |                 |         |         | 50      | mV    |

## AC Electrical Characteristics

 Table 10. AC Electrical Characteristics,  $V_{DDA} = V_{DDB} = V_{DDQA} = V_{DDQB} = 1.8V \pm 5\%$ ,  $T_A = -40^\circ C$  to  $85^\circ C$  [a]

| Symbol              | Parameter  | Test Conditions   | Minimum | Typical | Maximum                     | Units  |
|---------------------|--|---|---------|---------|-----------------------------|--------|
| $f_{REF}$           | Input frequency  |   |         |         | 2                           | GHz    |
| $\Delta V/\Delta t$ | Input edge rate  |   | 1.5     |         |                             | V/ns   |
| $t_{PD}$            | Propagation delay <sup>[b], [c]</sup>  | CLKA to any QAx, CLKB to any nQBx   | 100     | 255     | 400                         | ps     |
| /sk(o)              | Output skew <sup>[d], [e]</sup>  |   |         | 20      | 40                          | ps     |
| /sk(b)              | Output bank skew <sup>[e], [f]</sup>   |   |         | 10      | 25                          | ps     |
| /sk(p)              | Pulse skew <sup>[g]</sup>  | $f_{REF} = 100MHz$  |         | 5       | 25                          | ps     |
| /sk(pp)             | Part-to-part skew <sup>[e], [h]</sup>  |   |         |         | 200                         | ps     |
| $t_{JIT}$           | Buffer Additive Phase Jitter, RMS; 500mV amplitude; refer to <a href="#">Additive Phase Jitter</a> | $f_{REF} = 156.25MHz$ ; Integration range: 1kHz – 40MHz                             |         | 60      | 80                          | fs     |
|                     |  | $f_{REF} = 156.25MHz$ square wave, $V_{PP} = 1V$ ; Integration range: 12kHz – 20MHz |         | 45      | 60                          | fs     |
| $\Phi_N(\geq 30M)$  | Clock single-side band phase noise   | $\geq 30MHz$ offset from carrier and noise floor                                    |         | < -160  |                             | dBc/Hz |
| $t_{JIT, SP}$       | Spurious suppression, coupling between channels  | $f_{QA} = 491.52MHz$ , $f_{QB} = 61.44MHz$ ; measured between neighboring outputs   |         | -59     |                             | dB     |
|                     |  | $f_{QA} = 491.52MHz$ , $f_{QB} = 15.36MHz$ ; measured between neighboring outputs   |         | -59     |                             | dB     |
| $t_R / t_F$         | Output rise/ fall time   | 10% to 90%, outputs loaded with 100 $\Omega$  |         | 150     | 400                         | ps     |
|                     |  | 20% to 80%, outputs loaded with 100 $\Omega$  |         | 90      | 160                         | ps     |
| $V_{PP}$            | Input voltage amplitude  | CLKA, CLKB  | 0.15    |         | 1.2                         | V      |
| $V_{PP\_DIFF}$      | Differential input voltage amplitude   | CLKA, CLKB  | 0.3     |         | 2.4                         | V      |
| $V_{CMR}$           | Common mode input voltage <sup>[i]</sup>   |   | 1.1     |         | $V_{DD}^{[j]} - (V_{PP}/2)$ | V      |
| $V_{OD}$            | Differential output voltage  | SELAA, SELAB = 0, outputs loaded with 100 $\Omega$                                  | 247     | 350     | 454                         | mV     |
|                     |  | SELAA, SELAB = 1, outputs loaded with 100 $\Omega$                                  | 350     | 500     | 650                         | mV     |
| $V_{OS}$            | Offset voltage   | SELAA, SELAB = 0  |         | 0.8     |                             | V      |
|                     |  | SELAA, SELAB = 1  |         | 0.7     |                             | V      |

[a] Electrical parameters are guaranteed over the specified ambient operating temperature range, which is established when the device is mounted in a test socket with maintained transverse airflow greater than 500 lfm. The device will meet specifications after thermal equilibrium has been reached under these conditions.

[b] Measured from the differential input crossing point to the differential output crossing point.

[c] Input  $V_{PP} = 400mV$ .

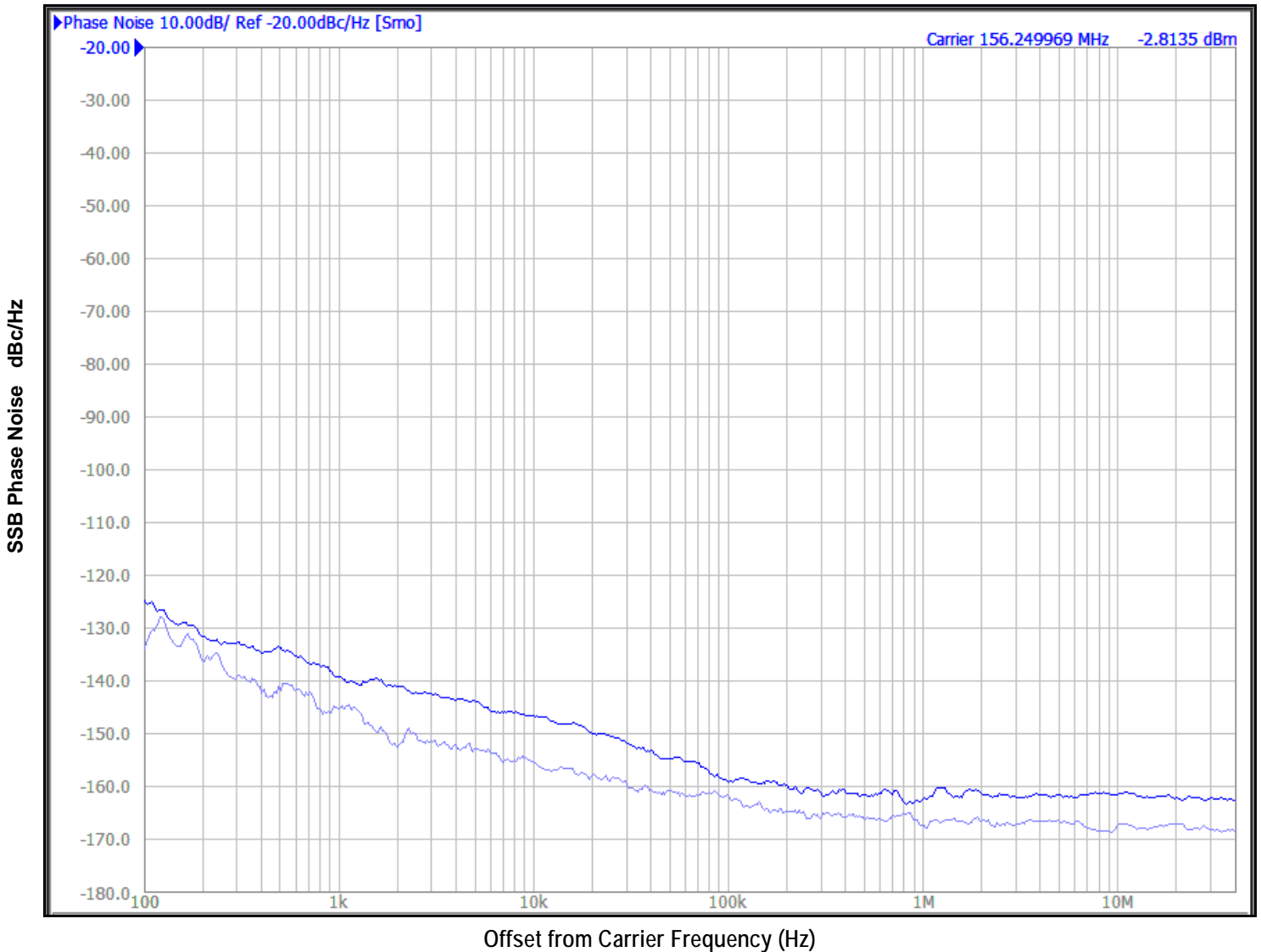
- [d] Defined as skew between outputs at the same supply voltage and with equal load conditions. Measured at the differential cross points.
- [e] This parameter is defined in accordance with JEDEC Standard 65.
- [f] Defined as skew within a bank of outputs at the same voltage and with equal load conditions.
- [g] Output pulse skew is the absolute value of the difference of the propagation delay times:  $|t_{PLH} - t_{PHL}|$ .
- [h] Defined as skew between outputs on different devices operating at the same supply voltage, same frequency, same temperature and with equal load conditions. Using the same type of inputs on each device, the outputs are measured at the differential cross points.
- [i] Common Mode Input Voltage is defined as the cross-point voltage.
- [j]  $V_{DD}$  denotes  $V_{DDA}$ ,  $V_{DDB}$ .



## Additive Phase Jitter

The spectral purity in a band at a specific offset from the fundamental compared to the power of the fundamental is called the *dBc Phase Noise*. This value is normally expressed using a Phase noise plot and is most often the specified plot in many applications. Phase noise is defined as the ratio of the noise power present in a 1Hz band at a specified offset from the fundamental frequency to the power value of the fundamental. This ratio is expressed in decibels (dBm) or a ratio of the power in the 1Hz band to the power in the fundamental. When the required offset is specified, the phase noise is called a *dBc* value, which simply means dBm at a specified offset from the fundamental. By investigating jitter in the frequency domain, we get a better understanding of its effects on the desired application over the entire time record of the signal. It is mathematically possible to calculate an expected bit error rate given a phase noise plot.

Figure 2. Additive Phase Jitter. Frequency: 156.25MHz, Integration range: 12kHz to 20MHz = 45fs typical



As with most timing specifications, phase noise measurements have issues relating to the limitations of the measurement equipment. The noise floor of the equipment can be higher or lower than the noise floor of the device. Additive phase noise is dependent on both the noise floor of the input source and measurement equipment.

Measured using a Wenzel 156.25MHz Oscillator as the input source.

## Applications Information

### Recommendations for Unused Input and Output Pins

Inputs:

#### ***CLK/nCLK Inputs***

For applications not requiring the use of the differential input, both CLK and nCLK can be left floating. Though not required, but for additional protection, a 1k $\Omega$  resistor can be tied from CLK to ground.

Outputs:

#### ***LVDS Outputs***

All unused LVDS output pairs can be either left floating or terminated with 100 $\Omega$  across. If they are left floating there should be no trace attached.

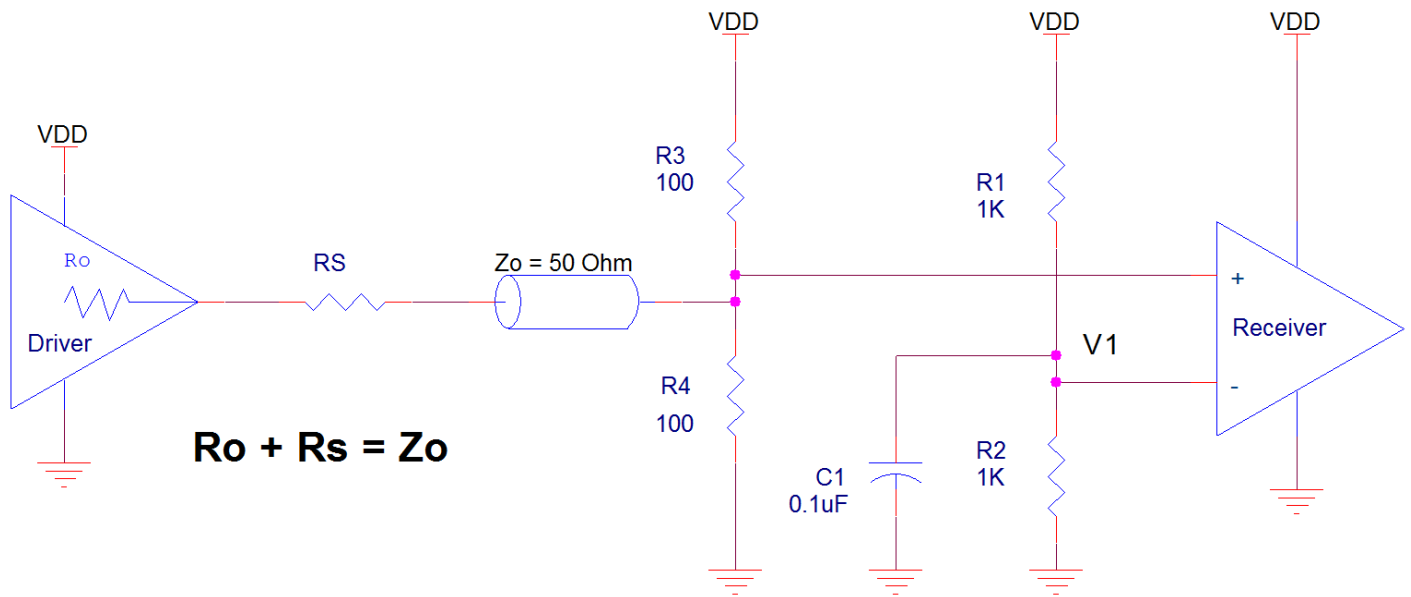
#### ***VREFX***

The unused VREFA and VREFB pins can be left floating. We recommend that there is no trace attached.

## Wiring the Differential Input to Accept Single-Ended Levels

Figure 3 shows how a differential input can be wired to accept single ended levels. The reference voltage  $V_1 = V_{DD}/2$  is generated by the bias resistors R1 and R2. The bypass capacitor (C1) is used to help filter noise on the DC bias. This bias circuit should be located as close to the input pin as possible. The ratio of R1 and R2 might need to be adjusted to position the  $V_1$  in the center of the input voltage swing. For example, if the input clock swing is 1.8V and  $V_{DD} = 1.8V$ , R1 and R2 value should be adjusted to set  $V_1$  at 0.9V. The values below are for when both the single ended swing and  $V_{DD}$  are at the same voltage. This configuration requires that the sum of the output impedance of the driver ( $R_o$ ) and the series resistance ( $R_s$ ) equals the transmission line impedance. In addition, matched termination at the input will attenuate the signal in half. This can be done in one of two ways. First, R3 and R4 in parallel should equal the transmission line impedance. For most 50Ω applications, R3 and R4 can be 100Ω. The values of the resistors can be increased to reduce the loading for slower and weaker LVCMOS driver. When using single-ended signaling, the noise rejection benefits of differential signaling are reduced. Even though the differential input can handle full rail LVCMOS signaling, it is recommended that the amplitude be reduced while maintaining an edge rate faster than 1V/ns. The datasheet specifies a lower differential amplitude, however this only applies to differential signals. For single-ended applications, the swing can be larger, however  $V_{IL}$  cannot be less than -0.3V and  $V_{IH}$  cannot be more than  $V_{DD} + 0.3V$ . Though some of the recommended components might not be used, the pads should be placed in the layout. They can be utilized for debugging purposes. The datasheet specifications are characterized and guaranteed by using a differential signal.

Figure 3. Recommended Schematic for Wiring a Differential Input to Accept Single-ended Levels



## 1.8V Differential Clock Input Interface

The CLK /nCLK accepts LVDS, LVPECL and other differential signals. The differential input signal must meet both the  $V_{PP}$  and  $V_{CMR}$  input requirements. *Figure 4 to Figure 6* show interface examples for the CLK /nCLK input driven by the most common driver types. The input interfaces suggested here are examples only. If the driver is from another vendor, use their termination recommendation. Please consult with the vendor of the driver component to confirm the driver termination requirements.

Figure 4. Differential Input Driven by an LVDS Driver - DC Coupling

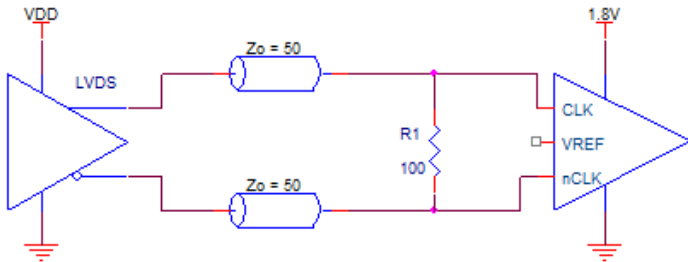


Figure 5. Differential Input Driven by an LVDS Driver - AC Coupling

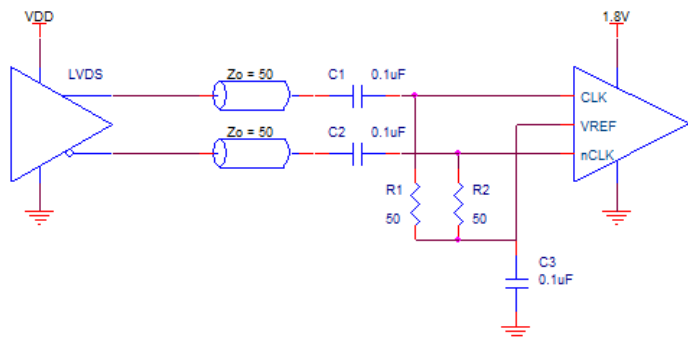
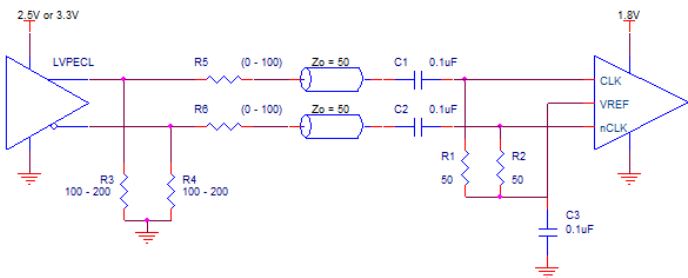


Figure 6. Differential Input Driven by an LVPECL Driver - AC Coupling



## LVDS Driver Termination

For a general LVDS interface, the recommended value for the termination impedance ( $Z_T$ ) is between  $90\Omega$  and  $132\Omega$ . The actual value should be selected to match the differential impedance ( $Z_0$ ) of your transmission line. A typical point-to-point LVDS design uses a  $100\Omega$  parallel resistor at the receiver and a  $100\Omega$  differential transmission-line environment. In order to avoid any transmission-line reflection issues, the components should be surface mounted and must be placed as close to the receiver as possible. IDT offers a full line of LVDS compliant devices with two types of output structures: current source and voltage source. The standard termination schematic as shown in [Figure 7](#) can be used with either type of output structure. [Figure 8](#), which can also be used with both output types, is an optional termination with center tap capacitance to help filter common mode noise. The capacitor value should be approximately  $50\text{pF}$ . If using a non-standard termination, it is recommended to contact IDT and confirm if the output structure is current source or voltage source type. In addition, since these outputs are LVDS compatible, the input receiver's amplitude and common-mode input range should be verified for compatibility with the output.

Figure 7. Standard LVDS Termination

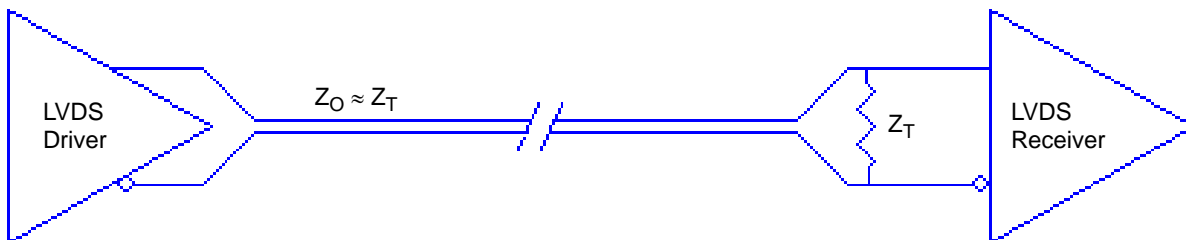
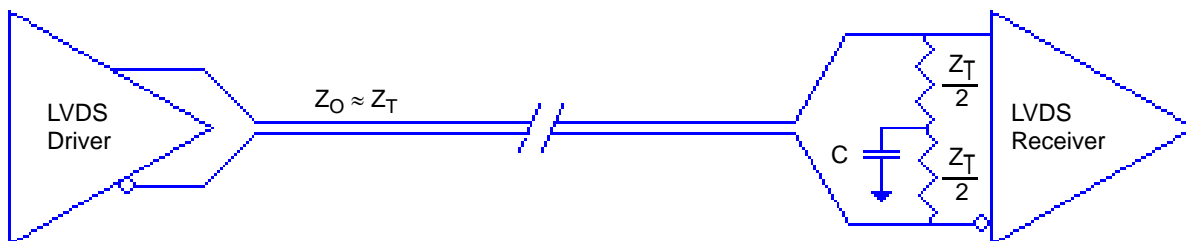


Figure 8. Optional LVDS Termination

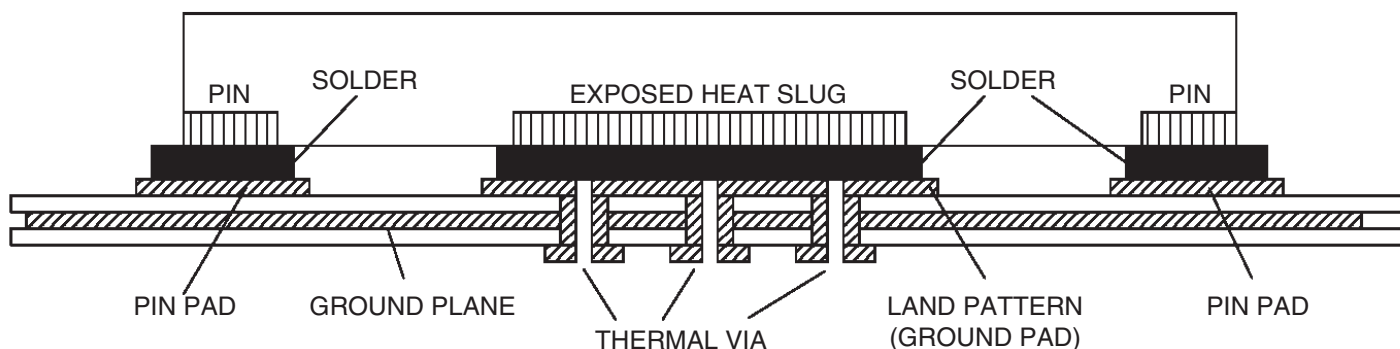


## VFQFN EPAD Thermal Release Path

In order to maximize both the removal of heat from the package and the electrical performance, a land pattern must be incorporated on the Printed Circuit Board (PCB) within the footprint of the package corresponding to the exposed metal pad or exposed heat slug on the package, as shown in [Figure 9](#). The solderable area on the PCB, as defined by the solder mask, should be at least the same size/shape as the exposed pad/slug area on the package to maximize the thermal/electrical performance. Sufficient clearance should be designed on the PCB between the outer edges of the land pattern and the inner edges of pad pattern for the leads to avoid any shorts.

While the land pattern on the PCB provides a means of heat transfer and electrical grounding from the package to the board through a solder joint, thermal vias are necessary to effectively conduct from the surface of the PCB to the ground plane(s). The land pattern must be connected to ground through these vias. The vias act as “heat pipes”. The number of vias (i.e. “heat pipes”) are application specific and dependent upon the package power dissipation as well as electrical conductivity requirements. Thus, thermal and electrical analysis and/or testing are recommended to determine the minimum number needed. Maximum thermal and electrical performance is achieved when an array of vias is incorporated in the land pattern. It is recommended to use as many vias connected to ground as possible. It is also recommended that the via diameter should be 12 to 13mils (0.30 to 0.33mm) with 1oz copper via barrel plating. This is desirable to avoid any solder wicking inside the via during the soldering process which may result in voids in solder between the exposed pad/slug and the thermal land. Precautions should be taken to eliminate any solder voids between the exposed heat slug and the land pattern. Note: These recommendations are to be used as a guideline only. For further information, please refer to the application note on the *Surface Mount Assembly of Amkor's Thermally/ Electrically Enhance Leadframe Base Package, Amkor Technology*.

Figure 9. P.C. Assembly for Exposed Pad Thermal Release Path – Side View (drawing not to scale)



## Case Temperature Considerations

This device supports applications in a natural convection environment which does not have any thermal conductivity through ambient air. The printed circuit board (PCB) is typically in a sealed enclosure without any natural or forced air flow and is kept at or below a specific temperature. The device package design incorporates an exposed pad (ePad) with enhanced thermal parameters which is soldered to the PCB where most of the heat escapes from the bottom exposed pad. For this type of application, it is recommended to use the junction-to-board thermal characterization parameter  $\Psi_{JB}$  (Psi-JB) to calculate the junction temperature ( $T_J$ ) and ensure it does not exceed the maximum allowed junction temperature in the Absolute Maximum Rating table.

The junction-to-board thermal characterization parameter,  $\Psi_{JB}$ , is calculated using the following equation:

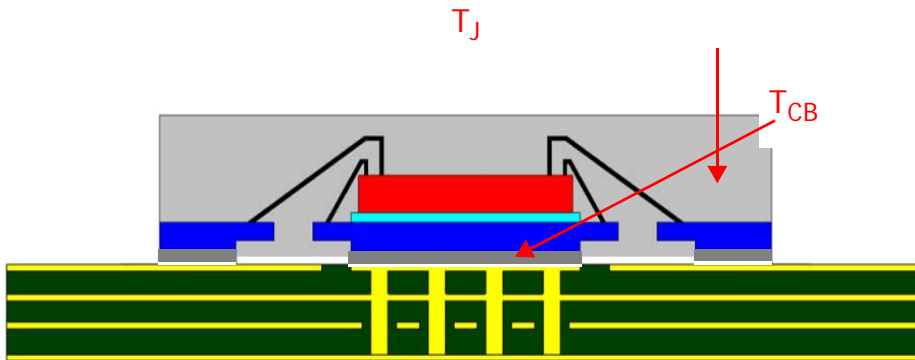
$$T_J = T_{CB} + \Psi_{JB} \times P_D, \text{ where}$$

$T_J$  = Junction temperature at steady state condition in ( $^{\circ}\text{C}$ ).

$T_{CB}$  = Case temperature (Bottom) at steady state condition in ( $^{\circ}\text{C}$ ).

$\Psi_{JB}$  = Thermal characterization parameter to report the difference between junction temperature and the temperature of the board measured at the top surface of the board.

$P_D$  = power dissipation (W) in desired operating configuration.



The ePad provides a low thermal resistance path for heat transfer to the PCB and represents the key pathway to transfer heat away from the IC to the PCB. It's critical that the connection of the exposed pad to the PCB is properly constructed to maintain the desired IC case temperature ( $T_{CB}$ ). A good connection ensures that temperature at the exposed pad ( $T_{CB}$ ) and the board temperature ( $T_B$ ) are relatively the same. An improper connection can lead to increased junction temperature, increased power consumption and decreased electrical performance. In addition, there could be long-term reliability issues and increased failure rate.

Example Calculation for Junction Temperature ( $T_J$ ):  $T_J = T_{CB} + \Psi_{JB} \times P_D$

|                |                                 |
|----------------|---------------------------------|
| Package type   | 48 VFQFN                        |
| Body size (mm) | 7 x 7 x 0.8                     |
| ePad size (mm) | 5.65 x 5.65                     |
| Thermal Via    | 5 x 5 Matrix                    |
| $\Psi_{JB}$    | 1.2 $^{\circ}\text{C}/\text{W}$ |
| $T_{CB}$       | 105 $^{\circ}\text{C}$          |
| $P_D$          | 0.9W                            |

For the variables above, the junction temperature is equal to 106.1 $^{\circ}\text{C}$ . Since this is below the maximum junction temperature of 125 $^{\circ}\text{C}$ , there are no long term reliability concerns. In addition, since the junction temperature at which the device was characterized using forced convection is 122 $^{\circ}\text{C}$ , this device can function without the degradation of the specified AC or DC parameters.

## Power Considerations

This section provides information on power dissipation and junction temperature for the 8P34S2108. Equations and example calculations are also provided.

### 1. Power Dissipation.

The following is the power dissipation for  $V_{DD} = 1.8V + 5\% = 1.89V$ , which gives worst case results.

Maximum current at 85°C:  $V_{DD\_MAX} = 495mA$ .

- $Power\_MAX = V_{DD\_MAX} * I_{DD\_MAX} = 1.89V * 495mA = 935.55mW$

### 2. Junction Temperature.

Junction temperature,  $T_j$ , is the temperature at the junction of the bond wire and bond pad directly affects the reliability of the device. The maximum recommended junction temperature is 125°C. Limiting the internal transistor junction temperature,  $T_j$ , to 125°C ensures that the bond wire and bond pad temperature remains below 125°C.

The equation for  $T_j$  is as follows:  $T_j = \theta_{JA} * Pd\_total + T_A$

$T_j$  = Junction Temperature

$\theta_{JA}$  = Junction-to-Ambient Thermal Resistance

$Pd\_total$  = Total Device Power Dissipation (example calculation is in section 1 above)

$T_A$  = Ambient Temperature

In order to calculate junction temperature, the appropriate junction-to-ambient thermal resistance  $\theta_{JA}$  must be used. Assuming no air flow and a multi-layer board, the appropriate value is 22.4°C/W per [Table 11](#) below.

Therefore,  $T_j$  for an ambient temperature of 85°C with all outputs switching is:

$$85^\circ C + 0.93555W * 22.4^\circ C/W = 106.0^\circ C. \text{ This is below the limit of } 125^\circ C.$$

This calculation is only an example.  $T_j$  will obviously vary depending on the number of loaded outputs, supply voltage, air flow and the type of board (multi-layer).

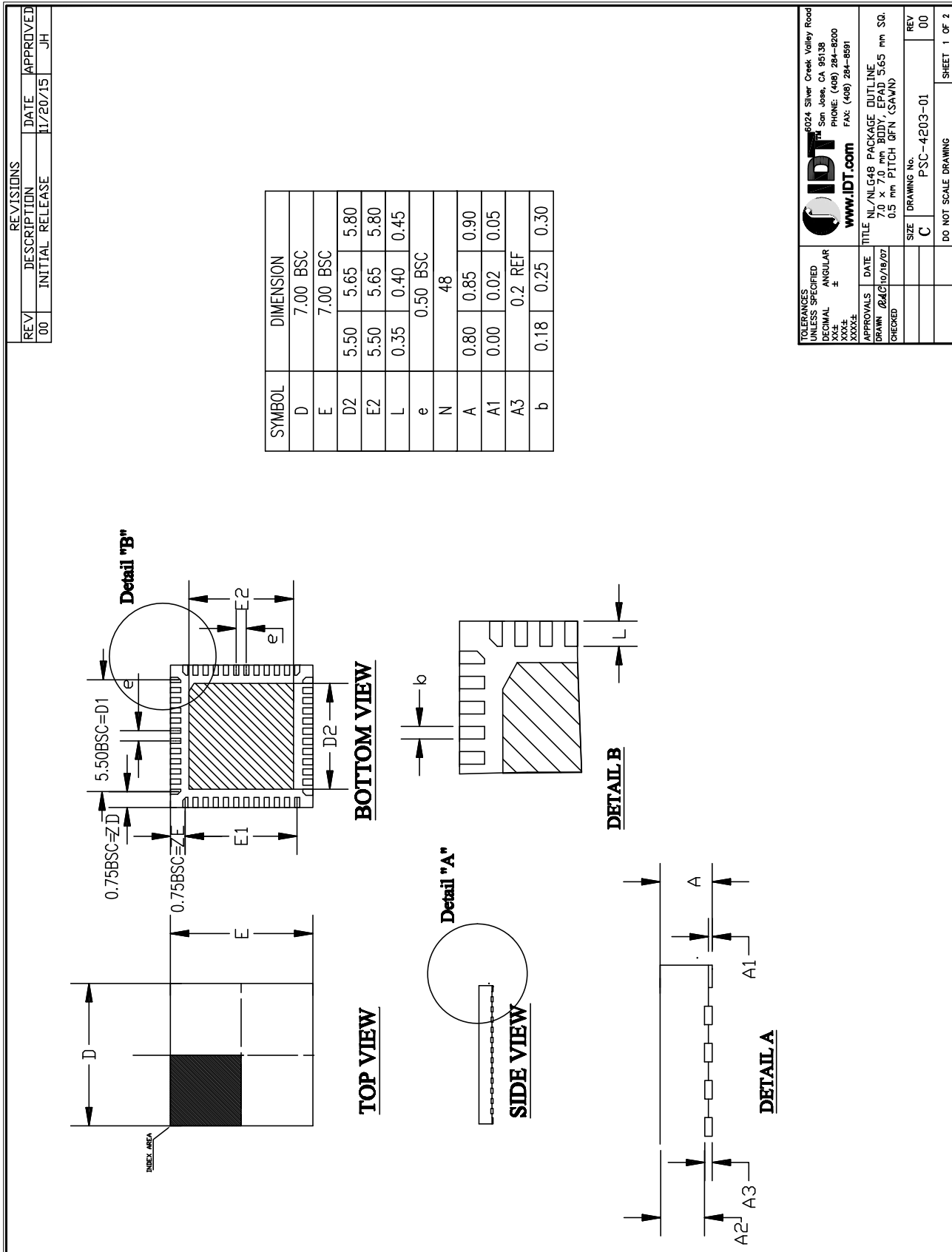
Table 11. Thermal Resistance  $\theta_{JA}$  for 48-lead VFQFN, Forced Convection

| $\theta_{JA}$ (°C/W) vs. Air Flow (m/s)                   |      |      |      |
|---|------|------|------|
| Meters per Second   | 0    | 1    | 2    |
| 48-lead VFQFN Multi-Layer PCB, JEDEC Standard Test Boards | 22.4 | 18.9 | 17.4 |



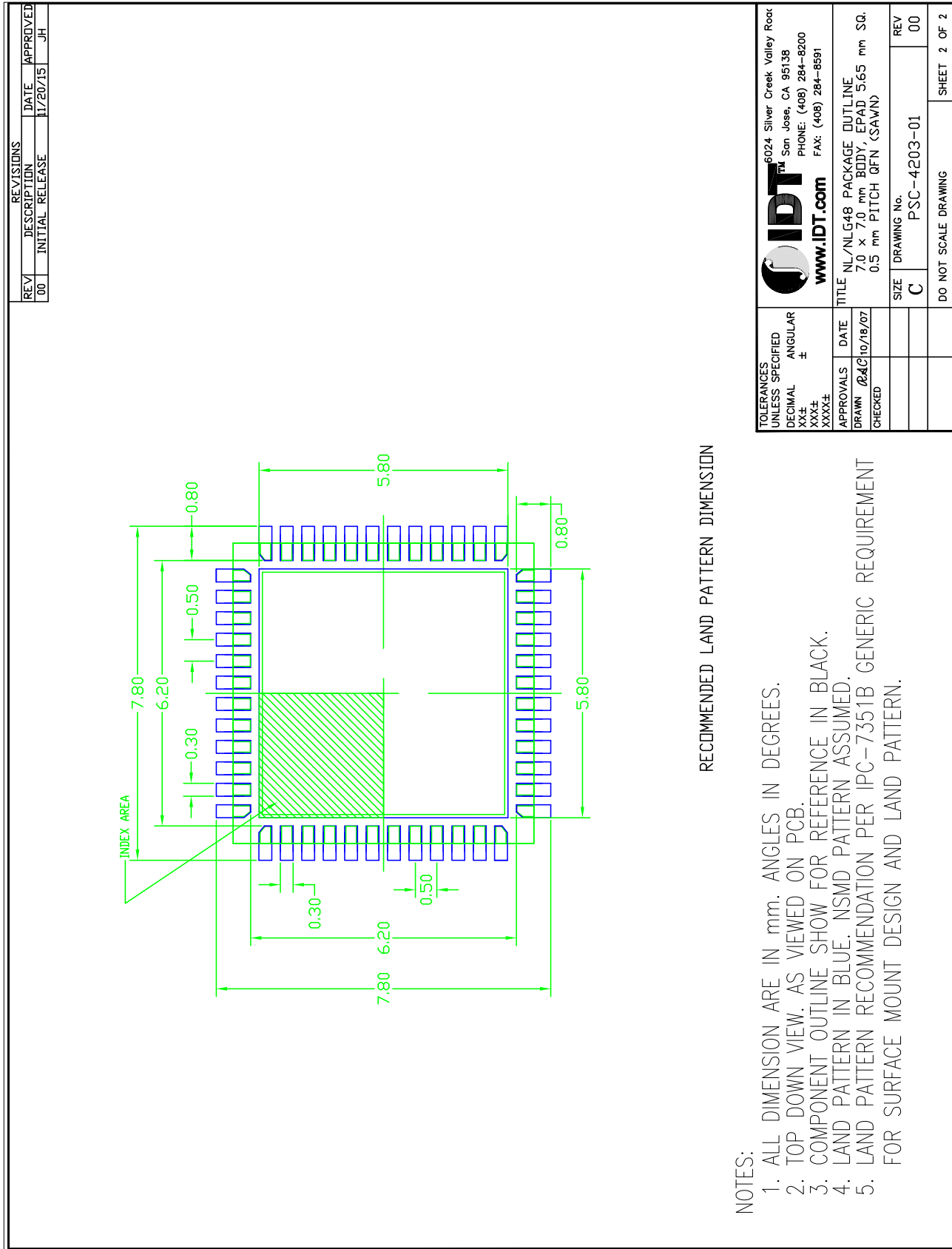
# Package Drawings

Figure 10. 48-lead VQFN Package Outline and Dimensions

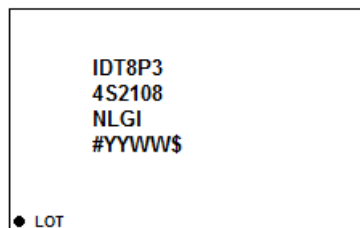


Package Drawings, continued

Figure 11. 48-lead VFQFN Package Outline and Dimensions



## Marking Diagram



1. Line 1, line 2, and line 3 indicates the part number.
2. Line 4:
  - “#” indicates stepping.
  - “YYWW” indicates the date code (YY are the last two digits of the year, and “WW” is a work week number that the part was assembled.
  - “\$” indicates the mark code.

## Ordering Information

Table 12. Ordering Information

| Part/Order Number | Marking          | Package                  | Shipping Packaging                             | Temperature   |
|-------------------|------------------|--------------------------|--|---------------|
| 8P34S2108NLGI     | IDT8P34S2108NLGI | 48-lead VFQFN, Lead-Free | Tray   | -40°C to 85°C |
| 8P34S2108NLGI8    | IDT8P34S2108NLGI |                          | Tape & Reel, Pin 1 Orientation:<br>EIA-481-C   |               |
| 8P34S2108NLGI/W   | IDT8P34S2108NLGI |                          | Tape & Reel, Pin 1 Orientation:<br>EIA-481-D/E |               |

Table 13. Pin 1 Orientation in Tape and Reel Packaging

| Part Number Suffix | Pin 1 Orientation        | Illustration |
|--------------------|--------------------------|--------------|
| 8                  | Quadrant 1 (EIA-481-C)   |              |
| /W                 | Quadrant 2 (EIA-481-D/E) |              |

## Revision History

| Revision Date    | Description of Change   |
|------------------|---|
| October 20, 2016 | Page 1, <a href="#">Features</a> , added Device current consumption.<br>Page 9, added <a href="#">Additive Phase Jitter</a> section.<br>Page 18, added <a href="#">Marking Diagram</a> .<br>Updated datasheet formatting. |
| July 28, 2016    | Features Section - corrected phase jitter bullet spec from <50fs to 45fs.   |
| July 12, 2016    | this is the first release of the 8P34S2108 Datasheet.   |
|                  |   |



Corporate Headquarters  
 6024 Silver Creek Valley Road  
 San Jose, CA 95138 USA  
[www.IDT.com](http://www.IDT.com)

Sales  
 1-800-345-7015 or 408-284-8200  
 Fax: 408-284-2775  
[www.IDT.com/go/sales](http://www.IDT.com/go/sales)

Tech Support  
[www.IDT.com/go/support](http://www.IDT.com/go/support)

DISCLAIMER Integrated Device Technology, Inc. (IDT) reserves the right to modify the products and/or specifications described herein at any time, without notice, at IDT's sole discretion. Performance specifications and operating parameters of the described products are determined in an independent state and are not guaranteed to perform the same way when installed in customer products. The information contained herein is provided without representation or warranty of any kind, whether express or implied, including, but not limited to, the suitability of IDT's products for any particular purpose, an implied warranty of merchantability, or non-infringement of the intellectual property rights of others. This document is presented only as a guide and does not convey any license under intellectual property rights of IDT or any third parties.

IDT's products are not intended for use in applications involving extreme environmental conditions or in life support systems or similar devices where the failure or malfunction of an IDT product can be reasonably expected to significantly affect the health or safety of users. Anyone using an IDT product in such a manner does so at their own risk, absent an express, written agreement by IDT.

Integrated Device Technology, IDT and the IDT logo are trademarks or registered trademarks of IDT and its subsidiaries in the United States and other countries. Other trademarks used herein are the property of IDT or their respective third party owners. For datasheet type definitions and a glossary of common terms, visit [www.idt.com/go/glossary](http://www.idt.com/go/glossary). Integrated Device Technology, Inc.. All rights reserved.

Компания «Океан Электроники» предлагает заключение долгосрочных отношений при поставках импортных электронных компонентов на взаимовыгодных условиях!

Наши преимущества:

- Поставка оригинальных импортных электронных компонентов напрямую с производств Америки, Европы и Азии, а так же с крупнейших складов мира;
- Широкая линейка поставок активных и пассивных импортных электронных компонентов (более 30 млн. наименований);
- Поставка сложных, дефицитных, либо снятых с производства позиций;
- Оперативные сроки поставки под заказ (от 5 рабочих дней);
- Экспресс доставка в любую точку России;
- Помощь Конструкторского Отдела и консультации квалифицированных инженеров;
- Техническая поддержка проекта, помощь в подборе аналогов, поставка прототипов;
- Поставка электронных компонентов под контролем ВП;
- Система менеджмента качества сертифицирована по Международному стандарту ISO 9001;
- При необходимости вся продукция военного и аэрокосмического назначения проходит испытания и сертификацию в лаборатории (по согласованию с заказчиком);
- Поставка специализированных компонентов военного и аэрокосмического уровня качества (Xilinx, Altera, Analog Devices, Intersil, Interpoint, Microsemi, Actel, Aeroflex, Peregrine, VPT, Syfer, Eurofarad, Texas Instruments, MS Kennedy, Miteq, Cobham, E2V, MA-COM, Hittite, Mini-Circuits, General Dynamics и др.);

Компания «Океан Электроники» является официальным дистрибьютором и эксклюзивным представителем в России одного из крупнейших производителей разъемов военного и аэрокосмического назначения «JONHON», а так же официальным дистрибьютором и эксклюзивным представителем в России производителя высокотехнологичных и надежных решений для передачи СВЧ сигналов «FORSTAR».



## JONHON

«JONHON» (основан в 1970 г.)

Разъемы специального, военного и аэрокосмического назначения:

(Применяются в военной, авиационной, аэрокосмической, морской, железнодорожной, горно- и нефтедобывающей отраслях промышленности)

«FORSTAR» (основан в 1998 г.)

ВЧ соединители, коаксиальные кабели, кабельные сборки и микроволновые компоненты:

(Применяются в телекоммуникациях гражданского и специального назначения, в средствах связи, РЛС, а так же военной, авиационной и аэрокосмической отраслях промышленности).



Телефон: 8 (812) 309-75-97 (многоканальный)

Факс: 8 (812) 320-03-32

Электронная почта: [ocean@oceanchips.ru](mailto:ocean@oceanchips.ru)

Web: <http://oceanchips.ru/>

Адрес: 198099, г. Санкт-Петербург, ул. Калинина, д. 2, корп. 4, лит. А