



dsPIC30F1010/202X

28/44-Pin dsPIC30F1010/202X Enhanced Flash SMPS 16-Bit Digital Signal Controller

Note: This data sheet summarizes features of this group of dsPIC30F devices and is not intended to be a complete reference source. For more information on the CPU, peripherals, register descriptions and general device functionality, refer to the *“dsPIC30F Family Reference Manual”* (DS70046). For more information on the device instruction set and programming, refer to the *“dsPIC30F/33F Programmer’s Reference Manual”* (DS70157).

High-Performance Modified RISC CPU:

- Modified Harvard architecture
- C compiler optimized instruction set architecture
- 83 base instructions with flexible addressing modes
- 24-bit wide instructions, 16-bit wide data path
- 12 Kbytes on-chip Flash program space
- 512 bytes on-chip data RAM
- 16 x 16-bit working register array
- Up to 30 MIPS operation:
 - Dual Internal RC
 - 9.7 and 14.55 MHz ($\pm 1\%$) Industrial Temp
 - 6.4 and 9.7 MHz ($\pm 1\%$) Extended Temp
 - 32X PLL with 480 MHz VCO
 - PLL inputs $\pm 3\%$
 - External EC clock 6.0 to 14.55 MHz
 - HS Crystal mode 6.0 to 14.55 MHz
- 32 interrupt sources
- Three external interrupt sources
- 8 user-selectable priority levels for each interrupt
- 4 processor exceptions and software traps

DSP Engine Features:

- Modulo and Bit-Reversed modes
- Two 40-bit wide accumulators with optional saturation logic
- 17-bit x 17-bit single-cycle hardware fractional/integer multiplier
- Single-cycle Multiply-Accumulate (MAC) operation
- 40-stage Barrel Shifter
- Dual data fetch

Peripheral Features:

- High-current sink/source I/O pins: 25 mA/25 mA
- Three 16-bit timers/counters; optionally pair up 16-bit timers into 32-bit timer modules
- One 16-bit Capture input functions
- Two 16-bit Compare/PWM output functions
 - Dual Compare mode available
- 3-wire SPI modules (supports 4 Frame modes)
- I²C™ module supports Multi-Master/Slave mode and 7-bit/10-bit addressing
- UART Module:
 - Supports RS-232, RS-485 and LIN 1.2
 - Supports IrDA® with on-chip hardware endec
 - Auto wake-up on Start bit
 - Auto-Baud Detect
 - 4-level FIFO buffer

Power Supply PWM Module Features:

- Four PWM generators with 8 outputs
- Each PWM generator has independent time base and duty cycle
- Duty cycle resolution of 1.1 ns at 30 MIPS
- Individual dead time for each PWM generator:
 - Dead-time resolution 4.2 ns at 30 MIPS
 - Dead time for rising and falling edges
- Phase-shift resolution of 4.2 ns @ 30 MIPS
- Frequency resolution of 8.4 ns @ 30 MIPS
- PWM modes supported:
 - Complementary
 - Push-Pull
 - Multi-Phase
 - Variable Phase
 - Current Reset
 - Current-Limit
- Independent Current-Limit and Fault Inputs
- Output Override Control
- Special Event Trigger
- PWM generated ADC Trigger

dsPIC30F1010/202X

Analog Features:

ADC

- 10-bit resolution
- 2000 Ksps conversion rate
- Up to 12 input channels
- “Conversion pairing” allows simultaneous conversion of two inputs (i.e., current and voltage) with a single trigger
- PWM control loop:
 - Up to six conversion pairs available
 - Each conversion pair has up to four PWM and seven other selectable trigger sources
- Interrupt hardware supports up to 1M interrupts per second

COMPARATOR

- Four Analog Comparators:
 - 20 ns response time
 - 10-bit DAC reference generator
 - Programmable output polarity
 - Selectable input source
 - ADC sample and convert capable
- PWM module interface
 - PWM Duty Cycle Control
 - PWM Period Control
 - PWM Fault Detect
- Special Event Trigger
- PWM-generated ADC Trigger

Special Microcontroller Features:

- Enhanced Flash program memory:
 - 10,000 erase/write cycle (min.) for industrial temperature range, 100k (typical)
- Self-reprogrammable under software control
- Power-on Reset (POR), Power-up Timer (PWRT) and Oscillator Start-up Timer (OST)
- Flexible Watchdog Timer (WDT) with on-chip low power RC oscillator for reliable operation
- Fail-Safe clock monitor operation
- Detects clock failure and switches to on-chip low power RC oscillator
- Programmable code protection
- In-Circuit Serial Programming™ (ICSP™)
- Selectable Power Management modes
 - Sleep, Idle and Alternate Clock modes

CMOS Technology:

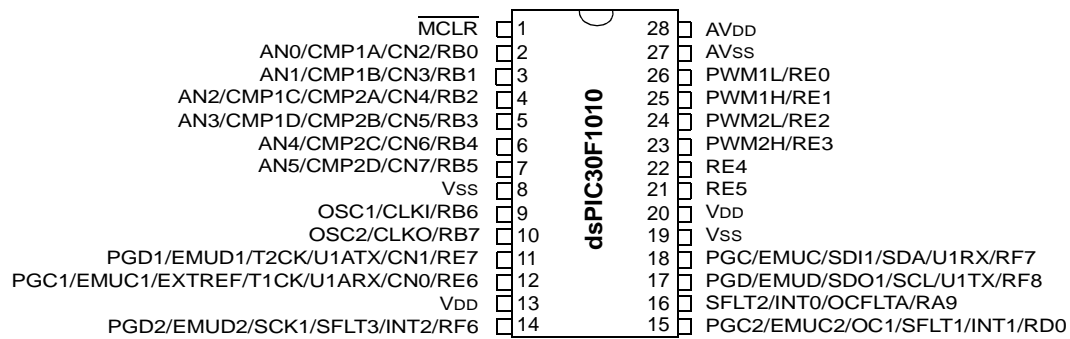
- Low-power, high-speed Flash technology
- 3.3V and 5.0V operation (±10%)
- Industrial and Extended temperature ranges
- Low power consumption

dsPIC30F SWITCH MODE POWER SUPPLY FAMILY

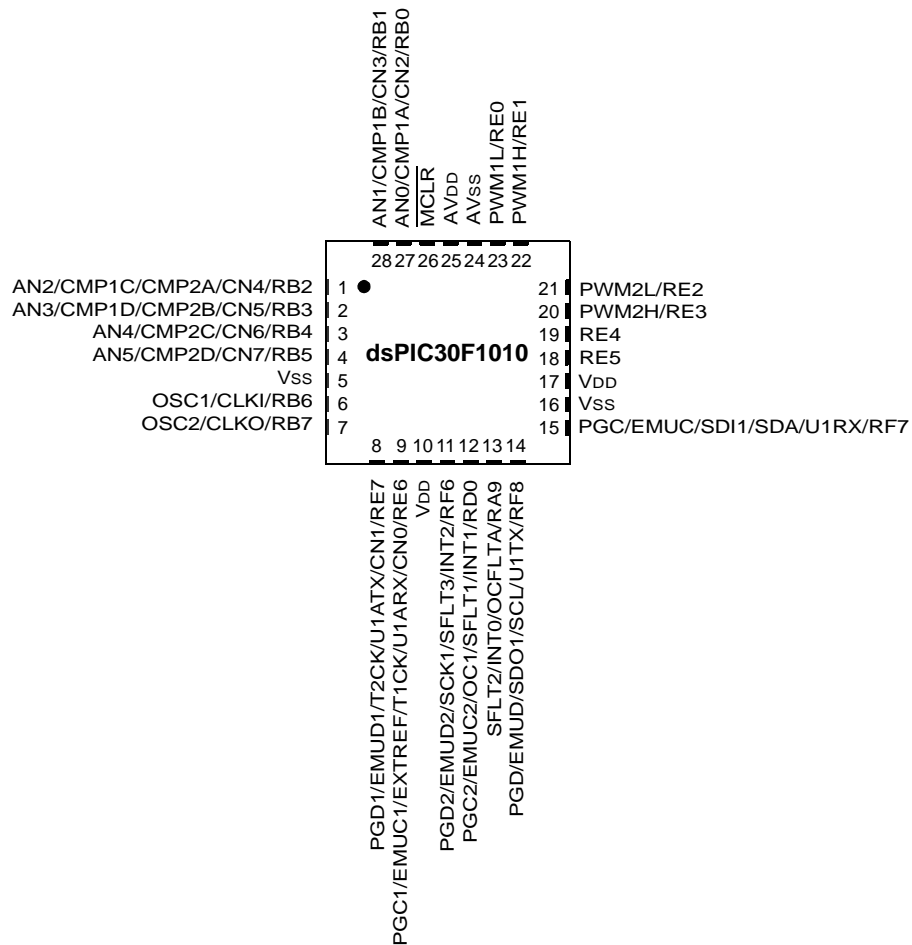
| Product | Pins | Packaging | Program Memory (Bytes) | Data SRAM (Bytes) | Timers | Capture | Compare | UART | SPI | I ² C™ | PWM | ADCs | S & H | A/D Inputs | Analog Comparators | GPIO |
|--------------|------|-----------|------------------------|-------------------|--------|---------|---------|------|-----|-------------------|-----|------|-------|------------|--------------------|------|
| dsPIC30F1010 | 28 | SDIP | 6K | 256 | 2 | 0 | 1 | 1 | 1 | 1 | 2x2 | 1 | 3 | 6 ch | 2 | 21 |
| dsPIC30F1010 | 28 | SOIC | 6K | 256 | 2 | 0 | 1 | 1 | 1 | 1 | 2x2 | 1 | 3 | 6 ch | 2 | 21 |
| dsPIC30F1010 | 28 | QFN-S | 6K | 256 | 2 | 0 | 1 | 1 | 1 | 1 | 2x2 | 1 | 3 | 6 ch | 2 | 21 |
| dsPIC30F2020 | 28 | SDIP | 12K | 512 | 3 | 1 | 2 | 1 | 1 | 1 | 4x2 | 1 | 5 | 8 ch | 4 | 21 |
| dsPIC30F2020 | 28 | SOIC | 12K | 512 | 3 | 1 | 2 | 1 | 1 | 1 | 4x2 | 1 | 5 | 8 ch | 4 | 21 |
| dsPIC30F2020 | 28 | QFN-S | 12K | 512 | 3 | 1 | 2 | 1 | 1 | 1 | 4x2 | 1 | 5 | 8 ch | 4 | 21 |
| dsPIC30F2023 | 44 | QFN | 12K | 512 | 3 | 1 | 2 | 1 | 1 | 1 | 4x2 | 1 | 5 | 12 ch | 4 | 35 |
| dsPIC30F2023 | 44 | TQFP | 12K | 512 | 3 | 1 | 2 | 1 | 1 | 1 | 4x2 | 1 | 5 | 12 ch | 4 | 35 |

Pin Diagrams

28-Pin SDIP and SOIC



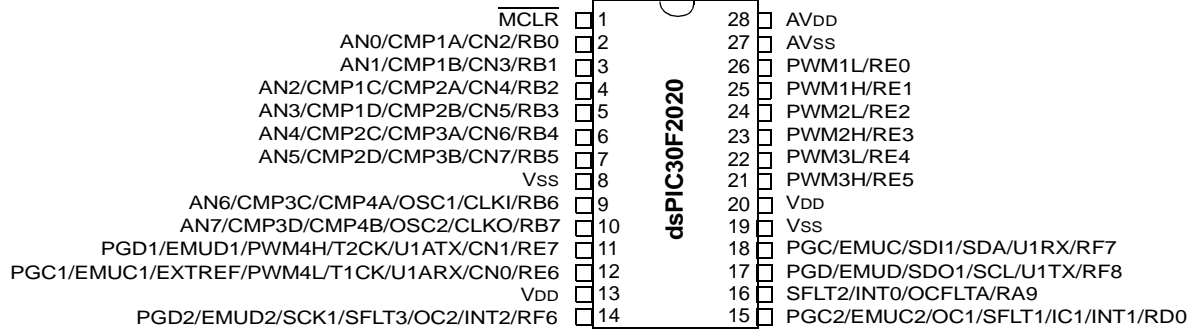
28-Pin QFN-S



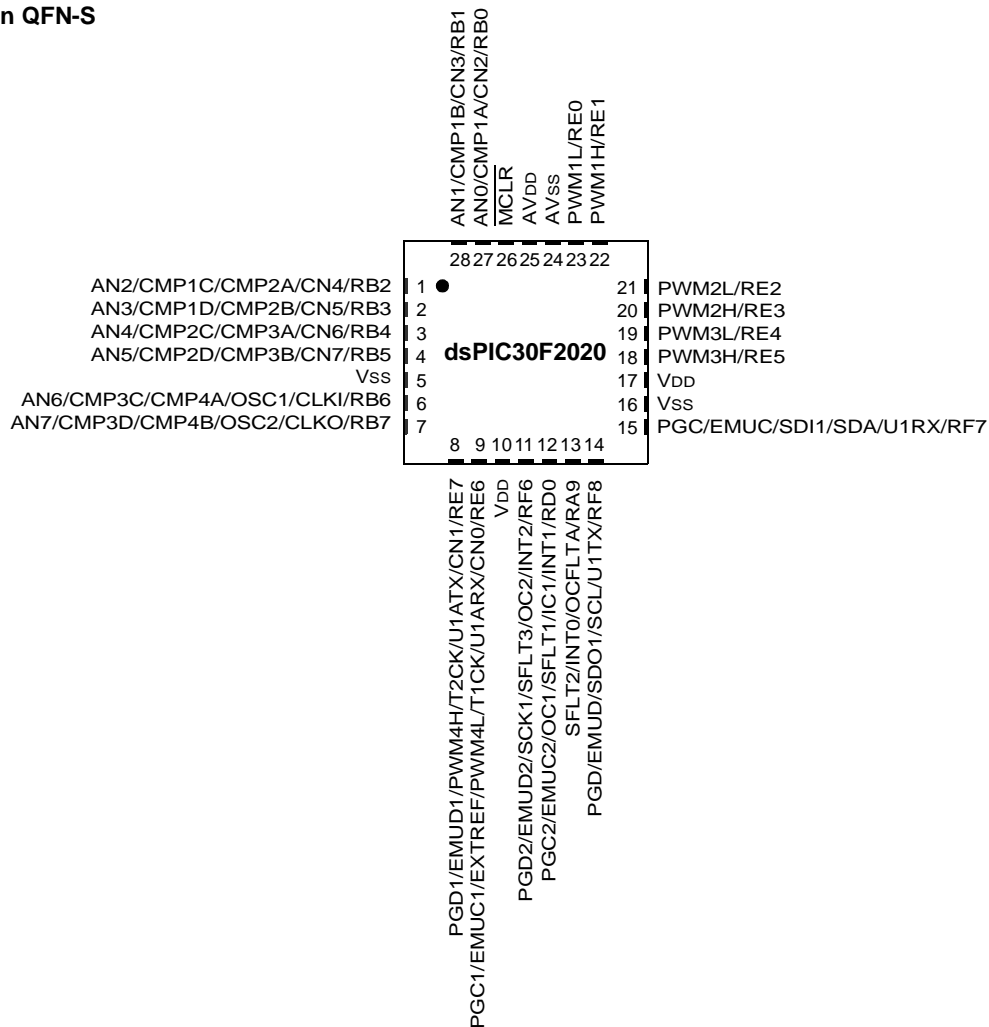
dsPIC30F1010/202X

Pin Diagrams

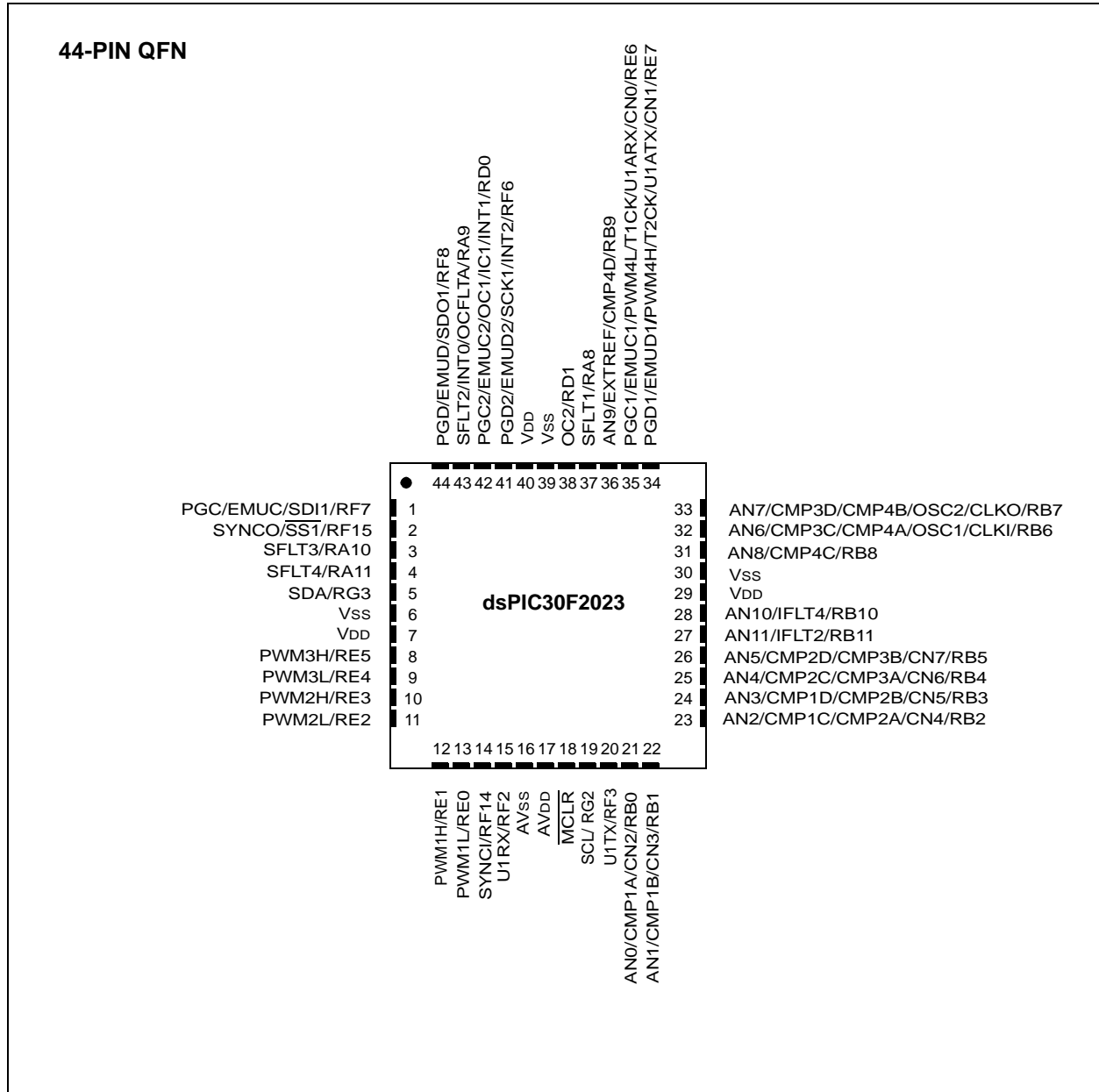
28-Pin SDIP and SOIC



28-Pin QFN-S



Pin Diagrams



dsPIC30F1010/202X

Pin Diagrams

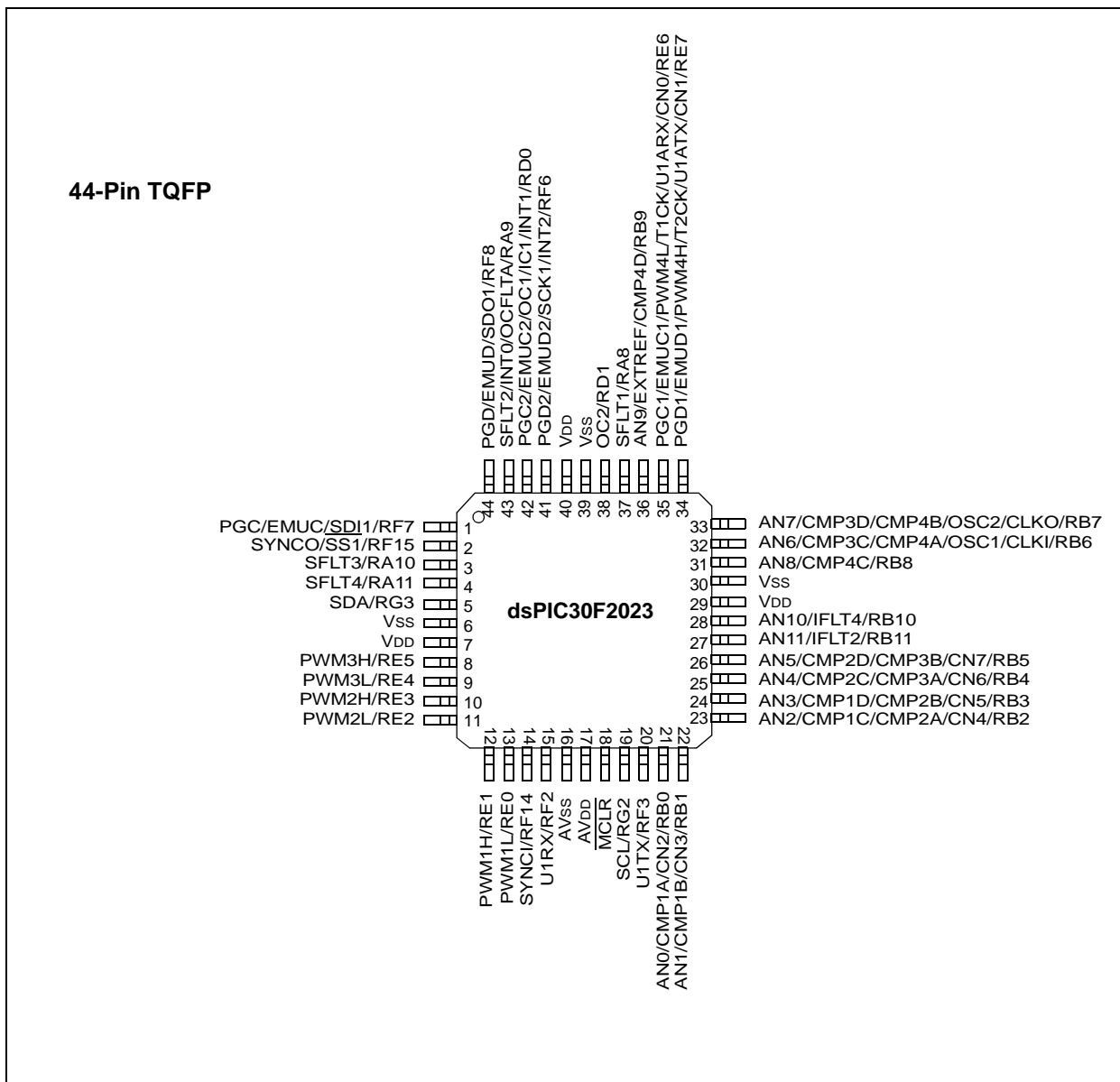


Table of Contents

| | | |
|------|--|-----|
| 1.0 | Device Overview | 9 |
| 2.0 | CPU Architecture Overview..... | 19 |
| 3.0 | Memory Organization..... | 29 |
| 4.0 | Address Generator Units..... | 41 |
| 5.0 | Interrupts | 47 |
| 6.0 | I/O Ports | 77 |
| 7.0 | Flash Program Memory..... | 81 |
| 8.0 | Timer1 Module | 87 |
| 9.0 | Timer2/3 Module | 91 |
| 10.0 | Input Capture Module..... | 97 |
| 11.0 | Output Compare Module..... | 101 |
| 12.0 | Power Supply PWM | 107 |
| 13.0 | Serial Peripheral Interface (SPI)..... | 145 |
| 14.0 | I2C™ Module | 153 |
| 15.0 | Universal Asynchronous Receiver Transmitter (UART) Module..... | 161 |
| 16.0 | 10-bit 2 Msps Analog-to-Digital Converter (ADC) Module..... | 169 |
| 17.0 | SMPS Comparator Module | 191 |
| 18.0 | System Integration | 197 |
| 19.0 | Instruction Set Summary | 219 |
| 20.0 | Development Support..... | 227 |
| 21.0 | Electrical Characteristics | 231 |
| 22.0 | Package Marking Information..... | 267 |
| | Appendix A: Revision History..... | 275 |
| | Index | 277 |

TO OUR VALUED CUSTOMERS

It is our intention to provide our valued customers with the best documentation possible to ensure successful use of your Microchip products. To this end, we will continue to improve our publications to better suit your needs. Our publications will be refined and enhanced as new volumes and updates are introduced.

If you have any questions or comments regarding this publication, please contact the Marketing Communications Department via E-mail at docerrors@microchip.com. We welcome your feedback.

Most Current Data Sheet

To obtain the most up-to-date version of this data sheet, please register at our Worldwide Web site at:

<http://www.microchip.com>

You can determine the version of a data sheet by examining its literature number found on the bottom outside corner of any page. The last character of the literature number is the version number, (e.g., DS30000000A is version A of document DS30000000).

Errata

An errata sheet, describing minor operational differences from the data sheet and recommended workarounds, may exist for current devices. As device/documentation issues become known to us, we will publish an errata sheet. The errata will specify the revision of silicon and revision of document to which it applies.

To determine if an errata sheet exists for a particular device, please check with one of the following:

- Microchip's Worldwide Web site; <http://www.microchip.com>
- Your local Microchip sales office (see last page)

When contacting a sales office, please specify which device, revision of silicon and data sheet (include literature number) you are using.

Customer Notification System

Register on our web site at www.microchip.com to receive the most current information on all of our products.

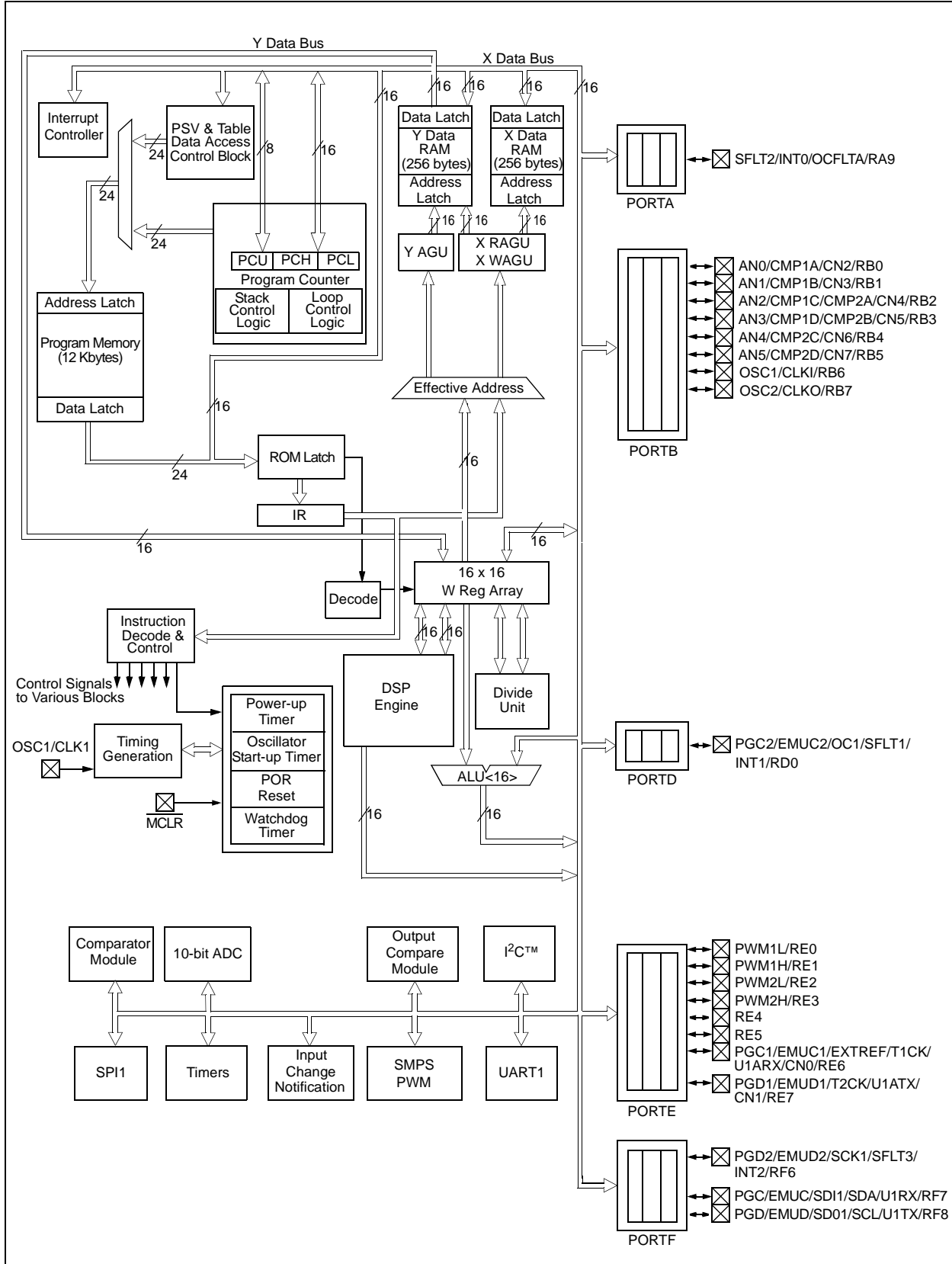
1.0 DEVICE OVERVIEW

Note: This data sheet summarizes features of this group of dsPIC30F devices and is not intended to be a complete reference source. For more information on the CPU, peripherals, register descriptions and general device functionality, refer to the “*dsPIC30F Family Reference Manual*” (DS70046). For more information on the device instruction set and programming, refer to the “*dsPIC30F/33F Programmer’s Reference Manual*” (DS70157).

This document contains device specific information for the dsPIC30F1010/202X SMPS devices. These devices contain extensive Digital Signal Processor (DSP) functionality within a high-performance 16-bit microcontroller (MCU) architecture, as reflected in the following block diagrams. Figure 1-1 and Table 1-1 describe the dsPIC30F1010 SMPS device, Figure 1-2 and Table 1-2 describe the dsPIC30F2020 device and Figure 1-3 and Table 1-3 describe the dsPIC30F2023 SMPS device.

dsPIC30F1010/202X

FIGURE 1-1: dsPIC30F1010 BLOCK DIAGRAM



dsPIC30F1010/202X

Table 1-1 provides a brief description of device I/O pin-outs for the dsPIC30F1010 and the functions that may be multiplexed to a port pin. Multiple functions may exist on one port pin. When multiplexing occurs, the peripheral module's functional requirements may force an override of the data direction of the port pin.

TABLE 1-1: PINOUT I/O DESCRIPTIONS FOR dsPIC30F1010

| Pin Name | Pin Type | Buffer Type | Description |
|---|--|------------------------------------|---|
| AN0-AN5 | I | Analog | Analog input channels. |
| AVDD | P | P | Positive supply for analog module. |
| AVSS | P | P | Ground reference for analog module. |
| CLKI CLKO | I O | ST/CMOS — | External clock source input. Always associated with OSC1 pin function. Oscillator crystal output. Connects to crystal or resonator in Crystal Oscillator mode. Optionally functions as CLKO in RC and EC modes. Always associated with OSC2 pin function. |
| EMUD EMUC EMUD1 EMUC1 EMUD2 EMUC2 | I/O I/O I/O I/O I/O I/O | ST ST ST ST ST ST | ICD Primary Communication Channel data input/output pin. ICD Primary Communication Channel clock input/output pin. ICD Secondary Communication Channel data input/output pin. ICD Secondary Communication Channel clock input/output pin. ICD Tertiary Communication Channel data input/output pin. ICD Tertiary Communication Channel clock input/output pin. |
| INT0 INT1 INT2 | I I I | ST ST ST | External interrupt 0 External interrupt 1 External interrupt 2 |
| SFLT1 SFLT2 SFLT3 PWM1L PWM1H PWM2L PWM2H | I I I O O O O | ST ST ST — — — — | Shared Fault Pin 1 Shared Fault Pin 2 Shared Fault Pin 3 PWM 1 Low output PWM 1 High output PWM 2 Low output PWM 2 High output |
| MCLR | I/P | ST | Master Clear (Reset) input or programming voltage input. This pin is an active low Reset to the device. |
| OC1 | O | — | Compare outputs. |
| OCFLTA | I | ST | Output Compare Fault Pin |
| OSC1 OSC2 | I I/O | CMOS — | Oscillator crystal input. Oscillator crystal output. Connects to crystal or resonator in Crystal Oscillator mode. Optionally functions as CLKO in FRC and EC modes. |
| PGD PGC PGD1 PGC1 PGD2 PGC2 | I/O I I/O I I/O I | ST ST ST ST ST ST | In-Circuit Serial Programming™ data input/output pin. In-Circuit Serial Programming clock input pin. In-Circuit Serial Programming data input/output pin 1. In-Circuit Serial Programming clock input pin 1. In-Circuit Serial Programming data input/output pin 2. In-Circuit Serial Programming clock input pin 2. |
| RB0-RB7 | I/O | ST | PORTB is a bidirectional I/O port. |
| RA9 | I/O | ST | PORTA is a bidirectional I/O port. |
| RD0 | I/O | ST | PORTD is a bidirectional I/O port. |

Legend: CMOS = CMOS compatible input or output Analog = Analog input
 ST = Schmitt Trigger input with CMOS levels O = Output
 I = Input P = Power

dsPIC30F1010/202X

TABLE 1-1: PINOUT I/O DESCRIPTIONS FOR dsPIC30F1010 (CONTINUED)

| Pin Name | Pin Type | Buffer Type | Description |
|---------------|----------|-------------|--|
| RE0-RE7 | I/O | ST | PORTE is a bidirectional I/O port. |
| RF6, RF7, RF8 | I/O | ST | PORTF is a bidirectional I/O port. |
| SCK1 | I/O | ST | Synchronous serial clock input/output for SPI #1. |
| SDI1 | I | ST | SPI #1 Data In. |
| SDO1 | O | — | SPI #1 Data Out. |
| SCL | I/O | ST | Synchronous serial clock input/output for I ² C™. |
| SDA | I/O | ST | Synchronous serial data input/output for I ² C. |
| T1CK | I | ST | Timer1 external clock input. |
| T2CK | I | ST | Timer2 external clock input. |
| U1RX | I | ST | UART1 Receive. |
| U1TX | O | — | UART1 Transmit. |
| U1ARX | I | ST | Alternate UART1 Receive. |
| U1ATX | O | — | Alternate UART1 Transmit. |
| CMP1A | I | Analog | Comparator 1 Channel A |
| CMP1B | I | Analog | Comparator 1 Channel B |
| CMP1C | I | Analog | Comparator 1 Channel C |
| CMP1D | I | Analog | Comparator 1 Channel D |
| CMP2A | I | Analog | Comparator 2 Channel A |
| CMP2B | I | Analog | Comparator 2 Channel B |
| CMP2C | I | Analog | Comparator 2 Channel C |
| CMP2D | I | Analog | Comparator 2 Channel D |
| CN0-CN7 | I | ST | Input Change notification inputs Can be software programmed for internal weak pull-ups on all inputs. |
| VDD | P | — | Positive supply for logic and I/O pins. |
| Vss | P | — | Ground reference for logic and I/O pins. |
| EXTREF | I | Analog | External reference to Comparator DAC |

Legend: CMOS = CMOS compatible input or output Analog = Analog input
 ST = Schmitt Trigger input with CMOS levels O = Output
 I = Input P = Power

FIGURE 1-2: dsPIC30F2020 BLOCK DIAGRAM



dsPIC30F1010/202X

Table 1-2 provides a brief description of device I/O pin-outs for the dsPIC30F2020 and the functions that may be multiplexed to a port pin. Multiple functions may exist on one port pin. When multiplexing occurs, the peripheral module's functional requirements may force an override of the data direction of the port pin.

TABLE 1-2: PINOUT I/O DESCRIPTIONS FOR dsPIC30F2020

| Pin Name | Pin Type | Buffer Type | Description |
|----------|----------|-------------|--|
| AN0-AN7 | I | Analog | Analog input channels. |
| AVDD | P | P | Positive supply for analog module. |
| AVSS | P | P | Ground reference for analog module. |
| CLKI | I | ST/CMOS | External clock source input. Always associated with OSC1 pin function. |
| CLKO | O | — | Oscillator crystal output. Connects to crystal or resonator in Crystal Oscillator mode. Optionally functions as CLKO in RC and EC modes. Always associated with OSC2 pin function. |
| EMUD | I/O | ST | ICD Primary Communication Channel data input/output pin. |
| EMUC | I/O | ST | ICD Primary Communication Channel clock input/output pin. |
| EMUD1 | I/O | ST | ICD Secondary Communication Channel data input/output pin. |
| EMUC1 | I/O | ST | ICD Secondary Communication Channel clock input/output pin. |
| EMUD2 | I/O | ST | ICD Tertiary Communication Channel data input/output pin. |
| EMUC2 | I/O | ST | ICD Tertiary Communication Channel clock input/output pin. |
| IC1 | I | ST | Capture input. |
| INT0 | I | ST | External interrupt 0 |
| INT1 | I | ST | External interrupt 1 |
| INT2 | I | ST | External interrupt 2 |
| SFLT1 | I | ST | Shared Fault Pin 1 |
| SFLT2 | I | ST | Shared Fault Pin 2 |
| SFLT3 | I | ST | Shared Fault Pin 3 |
| PWM1L | O | — | PWM 1 Low output |
| PWM1H | O | — | PWM 1 High output |
| PWM2L | O | — | PWM 2 Low output |
| PWM2H | O | — | PWM 2 High output |
| PWM3L | O | — | PWM 3 Low output |
| PWM3H | O | — | PWM 3 High output |
| PWM4L | O | — | PWM 4 Low output |
| PWM4H | O | — | PWM 4 High output |
| MCLR | I/P | ST | Master Clear (Reset) input or programming voltage input. This pin is an active low Reset to the device. |
| OC1-OC2 | O | — | Compare outputs. |
| OCFLTA | I | — | Output Compare Fault pin |
| OSC1 | I | CMOS | Oscillator crystal input. |
| OSC2 | I/O | — | Oscillator crystal output. Connects to crystal or resonator in Crystal Oscillator mode. Optionally functions as CLKO in FRC and EC modes. |
| PGD | I/O | ST | In-Circuit Serial Programming™ data input/output pin. |
| PGC | I | ST | In-Circuit Serial Programming clock input pin. |
| PGD1 | I/O | ST | In-Circuit Serial Programming data input/output pin 1. |
| PGC1 | I | ST | In-Circuit Serial Programming clock input pin 1. |
| PGD2 | I/O | ST | In-Circuit Serial Programming data input/output pin 2. |
| PGC2 | I | ST | In-Circuit Serial Programming clock input pin 2. |

Legend: CMOS = CMOS compatible input or output Analog = Analog input
 ST = Schmitt Trigger input with CMOS levels O = Output
 I = Input P = Power

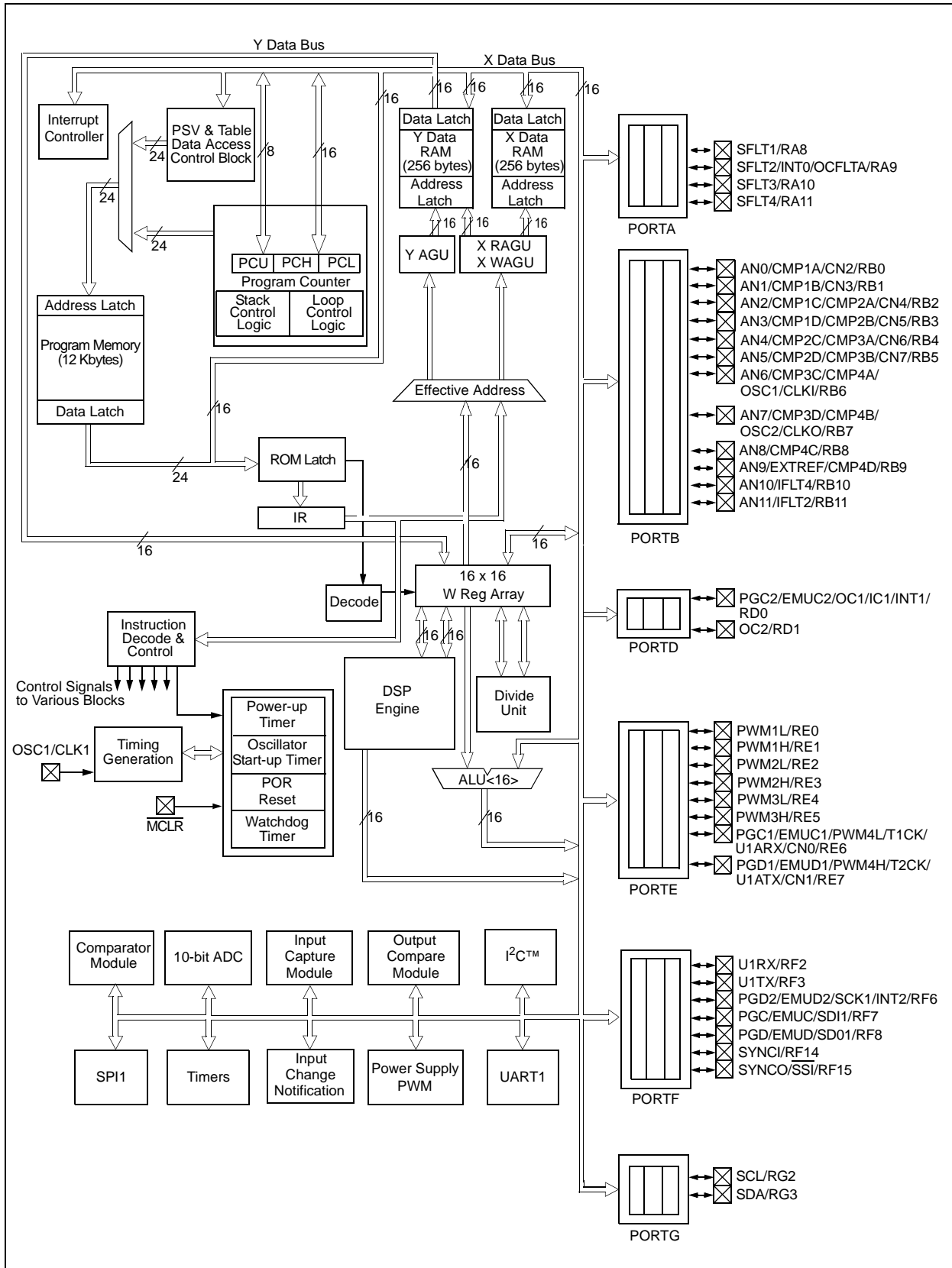
TABLE 1-2: PINOUT I/O DESCRIPTIONS FOR dsPIC30F2020 (CONTINUED)

| Pin Name | Pin Type | Buffer Type | Description |
|---------------|----------|-------------|--|
| RB0-RB7 | I/O | ST | PORTB is a bidirectional I/O port. |
| RA9 | I/O | ST | PORTA is a bidirectional I/O port. |
| RD0 | I/O | ST | PORTD is a bidirectional I/O port. |
| RE0-RE7 | I/O | ST | PORTE is a bidirectional I/O port. |
| RF6, RF7, RF8 | I/O | ST | PORTF is a bidirectional I/O port. |
| SCK1 | I/O | ST | Synchronous serial clock input/output for SPI #1. |
| SDI1 | I | ST | SPI #1 Data In. |
| SDO1 | O | — | SPI #1 Data Out. |
| SCL | I/O | ST | Synchronous serial clock input/output for I ² C™. |
| SDA | I/O | ST | Synchronous serial data input/output for I ² C. |
| T1CK | I | ST | Timer1 external clock input. |
| T2CK | I | ST | Timer2 external clock input. |
| U1RX | I | ST | UART1 Receive. |
| U1TX | O | — | UART1 Transmit. |
| U1ARX | I | ST | Alternate UART1 Receive. |
| U1ATX | O | O | Alternate UART1 Transmit. |
| CMP1A | I | Analog | Comparator 1 Channel A |
| CMP1B | I | Analog | Comparator 1 Channel B |
| CMP1C | I | Analog | Comparator 1 Channel C |
| CMP1D | I | Analog | Comparator 1 Channel D |
| CMP2A | I | Analog | Comparator 2 Channel A |
| CMP2B | I | Analog | Comparator 2 Channel B |
| CMP2C | I | Analog | Comparator 2 Channel C |
| CMP2D | I | Analog | Comparator 2 Channel D |
| CMP3A | I | Analog | Comparator 3 Channel A |
| CMP3B | I | Analog | Comparator 3 Channel B |
| CMP3C | I | Analog | Comparator 3 Channel C |
| CMP3D | I | Analog | Comparator 3 Channel D |
| CMP4A | I | Analog | Comparator 4 Channel A |
| CMP4B | I | Analog | Comparator 4 Channel B |
| CN0-CN7 | I | ST | Input Change notification inputs Can be software programmed for internal weak pull-ups on all inputs. |
| VDD | P | — | Positive supply for logic and I/O pins. |
| Vss | P | — | Ground reference for logic and I/O pins. |
| EXTREF | I | Analog | External reference to Comparator DAC |

Legend: CMOS = CMOS compatible input or output Analog = Analog input
 ST = Schmitt Trigger input with CMOS levels O = Output
 I = Input P = Power

dsPIC30F1010/202X

FIGURE 1-3: dsPIC30F2023 BLOCK DIAGRAM



dsPIC30F1010/202X

Table 1-3 provides a brief description of device I/O pin-outs for the dsPIC30F2023 and the functions that may be multiplexed to a port pin. Multiple functions may exist on one port pin. When multiplexing occurs, the peripheral module's functional requirements may force an override of the data direction of the port pin.

TABLE 1-3: PINOUT I/O DESCRIPTIONS FOR dsPIC30F2023

| Pin Name | Pin Type | Buffer Type | Description |
|----------|----------|-------------|--|
| AN0-AN11 | I | Analog | Analog input channels. |
| AVDD | P | P | Positive supply for analog module. |
| AVSS | P | P | Ground reference for analog module. |
| CLKI | I | ST/CMOS | External clock source input. Always associated with OSC1 pin function. |
| CLKO | O | — | Oscillator crystal output. Connects to crystal or resonator in Crystal Oscillator mode. Optionally functions as CLKO in RC and EC modes. Always associated with OSC2 pin function. |
| EMUD | I/O | ST | ICD Primary Communication Channel data input/output pin. |
| EMUC | I/O | ST | ICD Primary Communication Channel clock input/output pin. |
| EMUD1 | I/O | ST | ICD Secondary Communication Channel data input/output pin. |
| EMUC1 | I/O | ST | ICD Secondary Communication Channel clock input/output pin. |
| EMUD2 | I/O | ST | ICD Tertiary Communication Channel data input/output pin. |
| EMUC2 | I/O | ST | ICD Tertiary Communication Channel clock input/output pin. |
| IC1 | I | ST | Capture input. |
| INT0 | I | ST | External interrupt 0 |
| INT1 | I | ST | External interrupt 1 |
| INT2 | I | ST | External interrupt 2 |
| SFLT1 | I | ST | Shared Fault 1 |
| SFLT2 | I | ST | Shared Fault 2 |
| SFLT3 | I | ST | Shared Fault 3 |
| SFLT4 | I | ST | Shared Fault 4 |
| IFLT2 | I | ST | Independent Fault 2 |
| IFLT4 | I | ST | Independent Fault 4 |
| PWM1L | O | — | PWM 1 Low output |
| PWM1H | O | — | PWM 1 High output |
| PWM2L | O | — | PWM 2 Low output |
| PWM2H | O | — | PWM 2 High output |
| PWM3L | O | — | PWM 3 Low output |
| PWM3H | O | — | PWM 3 High output |
| PWM4L | O | — | PWM 4 Low output |
| PWM4H | O | — | PWM 4 High output |
| SYNCO | O | — | PWM SYNC output |
| SYNCI | I | ST | PWM SYNC input |
| MCLR | I/P | ST | Master Clear (Reset) input or programming voltage input. This pin is an active low Reset to the device. |
| OC1-OC2 | O | — | Compare outputs. |
| OCFLTA | I | ST | Output Compare Fault condition. |
| OSC1 | I | CMOS | Oscillator crystal input. |
| OSC2 | I/O | — | Oscillator crystal output. Connects to crystal or resonator in Crystal Oscillator mode. Optionally functions as CLKO in FRC and EC modes. |

Legend: CMOS = CMOS compatible input or output Analog = Analog input
 ST = Schmitt Trigger input with CMOS levels O = Output
 I = Input P = Power

dsPIC30F1010/202X

TABLE 1-3: PINOUT I/O DESCRIPTIONS FOR dsPIC30F2023 (CONTINUED)

| Pin Name | Pin Type | Buffer Type | Description |
|-------------------------------------|----------|-------------|--|
| PGD | I/O | ST | In-Circuit Serial Programming™ data input/output pin. |
| PGC | I | ST | In-Circuit Serial Programming clock input pin. |
| PGD1 | I/O | ST | In-Circuit Serial Programming data input/output pin 1. |
| PGC1 | I | ST | In-Circuit Serial Programming clock input pin 1. |
| PGD2 | I/O | ST | In-Circuit Serial Programming data input/output pin 2. |
| PGC2 | I | ST | In-Circuit Serial Programming clock input pin 2. |
| RA8-RA11 | I/O | ST | PORTA is a bidirectional I/O port. |
| RB0-RB11 | I/O | ST | PORTB is a bidirectional I/O port. |
| RD0,RD1 | I/O | ST | PORTD is a bidirectional I/O port. |
| RE0-RE7 | I/O | ST | PORTE is a bidirectional I/O port. |
| RF2, RF3, RF6-RF8, RF14, RF15 | I/O | ST | PORTF is a bidirectional I/O port. |
| RG2, RG3 | I/O | ST | PORTG is a bidirectional I/O port. |
| SCK1 | I/O | ST | Synchronous serial clock input/output for SPI #1. |
| SDI1 | I | ST | SPI #1 Data In. |
| SDO1 | O | — | SPI #1 Data Out. |
| SS1 | I | ST | SPI #1 Slave Synchronization. |
| SCL | I/O | ST | Synchronous serial clock input/output for I ² C. |
| SDA | I/O | ST | Synchronous serial data input/output for I ² C. |
| T1CK | I | ST | Timer1 external clock input. |
| T2CK | I | ST | Timer2 external clock input. |
| U1RX | I | ST | UART1 Receive. |
| U1TX | O | — | UART1 Transmit. |
| U1ARX | I | ST | Alternate UART1 Receive. |
| U1ATX | O | — | Alternate UART1 Transmit |
| CMP1A | I | Analog | Comparator 1 Channel A |
| CMP1B | I | Analog | Comparator 1 Channel B |
| CMP1C | I | Analog | Comparator 1 Channel C |
| CMP1D | I | Analog | Comparator 1 Channel D |
| CMP2A | I | Analog | Comparator 2 Channel A |
| CMP2B | I | Analog | Comparator 2 Channel B |
| CMP2C | I | Analog | Comparator 2 Channel C |
| CMP2D | I | Analog | Comparator 2 Channel D |
| CMP3A | I | Analog | Comparator 3 Channel A |
| CMP3B | I | Analog | Comparator 3 Channel B |
| CMP3C | I | Analog | Comparator 3 Channel C |
| CMP3D | I | Analog | Comparator 3 Channel D |
| CMP4A | I | Analog | Comparator 4 Channel A |
| CMP4B | I | Analog | Comparator 4 Channel B |
| CMP4C | I | Analog | Comparator 4 Channel C |
| CMP4D | I | Analog | Comparator 4 Channel D |
| CN0-CN7 | I | ST | Input Change notification inputs Can be software programmed for internal weak pull-ups on all inputs. |
| VDD | P | — | Positive supply for logic and I/O pins. |
| Vss | P | — | Ground reference for logic and I/O pins. |
| EXTREF | I | Analog | External reference to Comparator DAC |

Legend: CMOS = CMOS compatible input or output Analog = Analog input
 ST = Schmitt Trigger input with CMOS levels O = Output
 I = Input P = Power

2.0 CPU ARCHITECTURE OVERVIEW

Note: This data sheet summarizes features of this group of dsPIC30F devices and is not intended to be a complete reference source. For more information on the CPU, peripherals, register descriptions and general device functionality, refer to the “*dsPIC30F Family Reference Manual*” (DS70046). For more information on the device instruction set and programming, refer to the “*dsPIC30F/33F Programmer’s Reference Manual*” (DS70157).

2.1 Core Overview

The core has a 24-bit instruction word. The Program Counter (PC) is 23 bits wide with the Least Significant bit (LSb) always clear (see **Section 3.1 “Program Address Space”**), and the Most Significant bit (MSb) is ignored during normal program execution, except for certain specialized instructions. Thus, the PC can address up to 4M instruction words of user program space. An instruction prefetch mechanism is used to help maintain throughput. Program loop constructs, free from loop count management overhead, are supported using the DO and REPEAT instructions, both of which are interruptible at any point.

The working register array consists of 16x16-bit registers, each of which can act as data, address or offset registers. One working register (W15) operates as a software Stack Pointer for interrupts and calls.

The data space is 64 Kbytes (32K words) and is split into two blocks, referred to as X and Y data memory. Each block has its own independent Address Generation Unit (AGU). Most instructions operate solely through the X memory AGU, which provides the appearance of a single unified data space. The Multiply-Accumulate (MAC) class of dual source DSP instructions operate through both the X and Y AGUs, splitting the data address space into two parts (see **Section 3.2 “Data Address Space”**). The X and Y data space boundary is device-specific and cannot be altered by the user. Each data word consists of 2 bytes, and most instructions can address data either as words or bytes.

There are two methods of accessing data stored in program memory:

- The upper 32 Kbytes of data space memory can be mapped into the lower half (user space) of program space at any 16K program word boundary, defined by the 8-bit Program Space Visibility Page (PSVPAG) register. This lets any instruction access program space as if it were data space, with a limitation that the access requires an additional cycle. Moreover, only the lower 16 bits of each instruction word can be accessed using this method.

- Linear indirect access of 32K word pages within program space is also possible using any working register, via table read and write instructions. Table read and write instructions can be used to access all 24 bits of an instruction word.

Overhead-free circular buffers (modulo addressing) are supported in both X and Y address spaces. This is primarily intended to remove the loop overhead for DSP algorithms.

The X AGU also supports Bit-Reversed Addressing mode on destination effective addresses, to greatly simplify input or output data reordering for radix-2 FFT algorithms. Refer to **Section 4.0 “Address Generator Units”** for details on modulo and Bit-Reversed Addressing.

The core supports Inherent (no operand), Relative, Literal, Memory Direct, Register Direct, Register Indirect, Register Offset and Literal Offset Addressing modes. Instructions are associated with predefined Addressing modes, depending upon their functional requirements.

For most instructions, the core is capable of executing a data (or program data) memory read, a working register (data) read, a data memory write and a program (instruction) memory read per instruction cycle. As a result, 3-operand instructions are supported, allowing $C = A + B$ operations to be executed in a single cycle.

A DSP engine has been included to significantly enhance the core arithmetic capability and throughput. It features a high-speed 17-bit by 17-bit multiplier, a 40-bit ALU, two 40-bit saturating accumulators and a 40-bit bidirectional barrel shifter. Data in the accumulator or any working register can be shifted up to 15 bits right or 16 bits left in a single cycle. The DSP instructions operate seamlessly with all other instructions and have been designed for optimal real-time performance. The MAC class of instructions can concurrently fetch two data operands from memory, while multiplying two W registers. To enable this concurrent fetching of data operands, the data space has been split for these instructions and linear for all others. This has been achieved in a transparent and flexible manner, by dedicating certain working registers to each address space for the MAC class of instructions.

The core does not support a multi-stage instruction pipeline. However, a single stage instruction prefetch mechanism is used, which accesses and partially decodes instructions a cycle ahead of execution, in order to maximize available execution time. Most instructions execute in a single cycle, with certain exceptions.

The core features a vectored exception processing structure for traps and interrupts, with 62 independent vectors. The exceptions consist of up to 8 traps (of which 4 are reserved) and 54 interrupts. Each interrupt is prioritized based on a user-assigned priority between 1 and 7 (1 being the lowest priority and 7 being the highest) in conjunction with a predetermined ‘natural order’. Traps have fixed priorities, ranging from 8 to 15.

dsPIC30F1010/202X

2.2 Programmer's Model

The programmer's model is shown in Figure 2-1 and consists of 16x16-bit working registers (W0 through W15), 2x40-bit accumulators (ACCA and ACCB), STATUS register (SR), Data Table Page register (TBLPAG), Program Space Visibility Page register (PSVPAG), DO and REPEAT registers (DOSTART, DOEND, DCOUNT and RCOUNT), and Program Counter (PC). The working registers can act as data, address or offset registers. All registers are memory mapped. W0 acts as the W register for file register addressing.

Some of these registers have a shadow register associated with each of them, as shown in Figure 2-1. The shadow register is used as a temporary holding register and can transfer its contents to or from its host register upon the occurrence of an event. None of the shadow registers are accessible directly. The following rules apply for transfer of registers into and out of shadows.

- PUSH.S and POP.S
W0, W1, W2, W3, SR (DC, N, OV, Z and C bits only) are transferred.
- DO instruction
DOSTART, DOEND, DCOUNT shadows are pushed on loop start, and popped on loop end.

When a byte operation is performed on a working register, only the Least Significant Byte (LSB) of the target register is affected. However, a benefit of memory mapped working registers is that both the Least and Most Significant Bytes (MSBs) can be manipulated through byte wide data memory space accesses.

2.2.1 SOFTWARE STACK POINTER/ FRAME POINTER

The dsPIC® DSC devices contain a software stack. W15 is the dedicated software Stack Pointer (SP), and will be automatically modified by exception processing and subroutine calls and returns. However, W15 can be referenced by any instruction in the same manner as all other W registers. This simplifies the reading, writing and manipulation of the Stack Pointer (e.g., creating stack frames).

Note: In order to protect against misaligned stack accesses, W15<0> is always clear.

W15 is initialized to 0x0800 during a Reset. The user may reprogram the SP during initialization to any location within data space.

W14 has been dedicated as a Stack Frame Pointer as defined by the LNK and ULNK instructions. However, W14 can be referenced by any instruction in the same manner as all other W registers.

2.2.2 STATUS REGISTER

The dsPIC DSC core has a 16-bit STATUS Register (SR), the LSB of which is referred to as the SR Low Byte (SRL) and the MSB as the SR High Byte (SRH). See Figure 2-1 for SR layout.

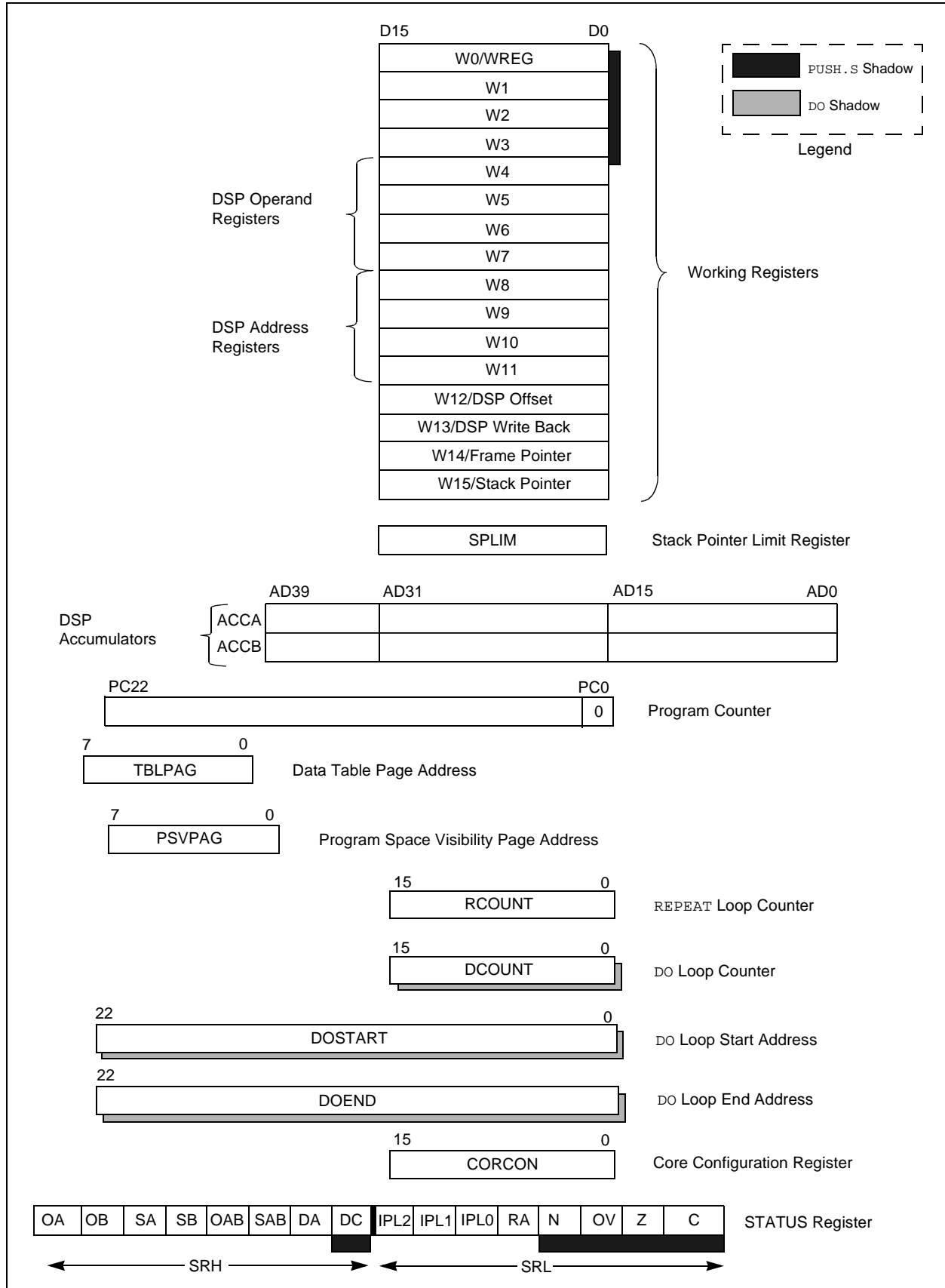
SRL contains all the MCU ALU operation status flags (including the Z bit), as well as the CPU Interrupt Priority Level Status bits, IPL<2:0>, and the REPEAT active Status bit, RA. During exception processing, SRL is concatenated with the MSB of the PC to form a complete word value, which is then stacked.

The upper byte of the STATUS register contains the DSP Adder/Subtractor status bits, the DO Loop Active bit (DA) and the Digit Carry (DC) Status bit.

2.2.3 PROGRAM COUNTER

The Program Counter is 23 bits wide. Bit 0 is always clear. Therefore, the PC can address up to 4M instruction words.

FIGURE 2-1: PROGRAMMER'S MODEL



dsPIC30F1010/202X

2.3 Divide Support

The dsPIC DSC devices feature a 16/16-bit signed fractional divide operation, as well as 32/16-bit and 16/16-bit signed and unsigned integer divide operations, in the form of single instruction iterative divides. The following instructions and data sizes are supported:

1. `DIVF` – 16/16 signed fractional divide
2. `DIV.sd` – 32/16 signed divide
3. `DIV.ud` – 32/16 unsigned divide
4. `DIV.sw` – 16/16 signed divide
5. `DIV.uw` – 16/16 unsigned divide

The 16/16 divides are similar to the 32/16 (same number of iterations), but the dividend is either zero-extended or sign-extended during the first iteration.

The divide instructions must be executed within a `REPEAT` loop. Any other form of execution (e.g. a series of discrete divide instructions) will not function correctly because the instruction flow depends on `RCOUNT`. The divide instruction does not automatically set up the `RCOUNT` value, and it must, therefore, be explicitly and correctly specified in the `REPEAT` instruction, as shown in Table 2-1 (`REPEAT` will execute the target instruction {operand value + 1} times). The `REPEAT` loop count must be set up for 18 iterations of the `DIV/DIVF` instruction. Thus, a complete divide operation requires 19 cycles.

Note: The Divide flow is interruptible. However, the user needs to save the context as appropriate.

TABLE 2-1: DIVIDE INSTRUCTIONS

| Instruction | Function |
|---------------------|---|
| <code>DIVF</code> | Signed fractional divide: $Wm/Wn \rightarrow W0$; $Rem \rightarrow W1$ |
| <code>DIV.sd</code> | Signed divide: $(Wm + 1:Wm)/Wn \rightarrow W0$; $Rem \rightarrow W1$ |
| <code>DIV.ud</code> | Unsigned divide: $(Wm + 1:Wm)/Wn \rightarrow W0$; $Rem \rightarrow W1$ |
| <code>DIV.sw</code> | Signed divide: $Wm/Wn \rightarrow W0$; $Rem \rightarrow W1$ |
| <code>DIV.uw</code> | Unsigned divide: $Wm/Wn \rightarrow W0$; $Rem \rightarrow W1$ |

2.4 DSP Engine

The DSP engine consists of a high speed 17-bit x 17-bit multiplier, a barrel shifter, and a 40-bit adder/subtractor (with two target accumulators, round and saturation logic).

The DSP engine also has the capability to perform inherent accumulator-to-accumulator operations, which require no additional data. These instructions are ADD, SUB and NEG.

The DSP engine has various options selected through various bits in the CPU Core Configuration Register (CORCON), as listed below:

1. Fractional or integer DSP multiply (IF).
2. Signed or unsigned DSP multiply (US).
3. Conventional or convergent rounding (RND).
4. Automatic saturation on/off for ACCA (SATA).
5. Automatic saturation on/off for ACCB (SATB).
6. Automatic saturation on/off for writes to data memory (SATDW).
7. Accumulator Saturation mode selection (ACCSAT).

Note: For CORCON layout, see Table 3-3.

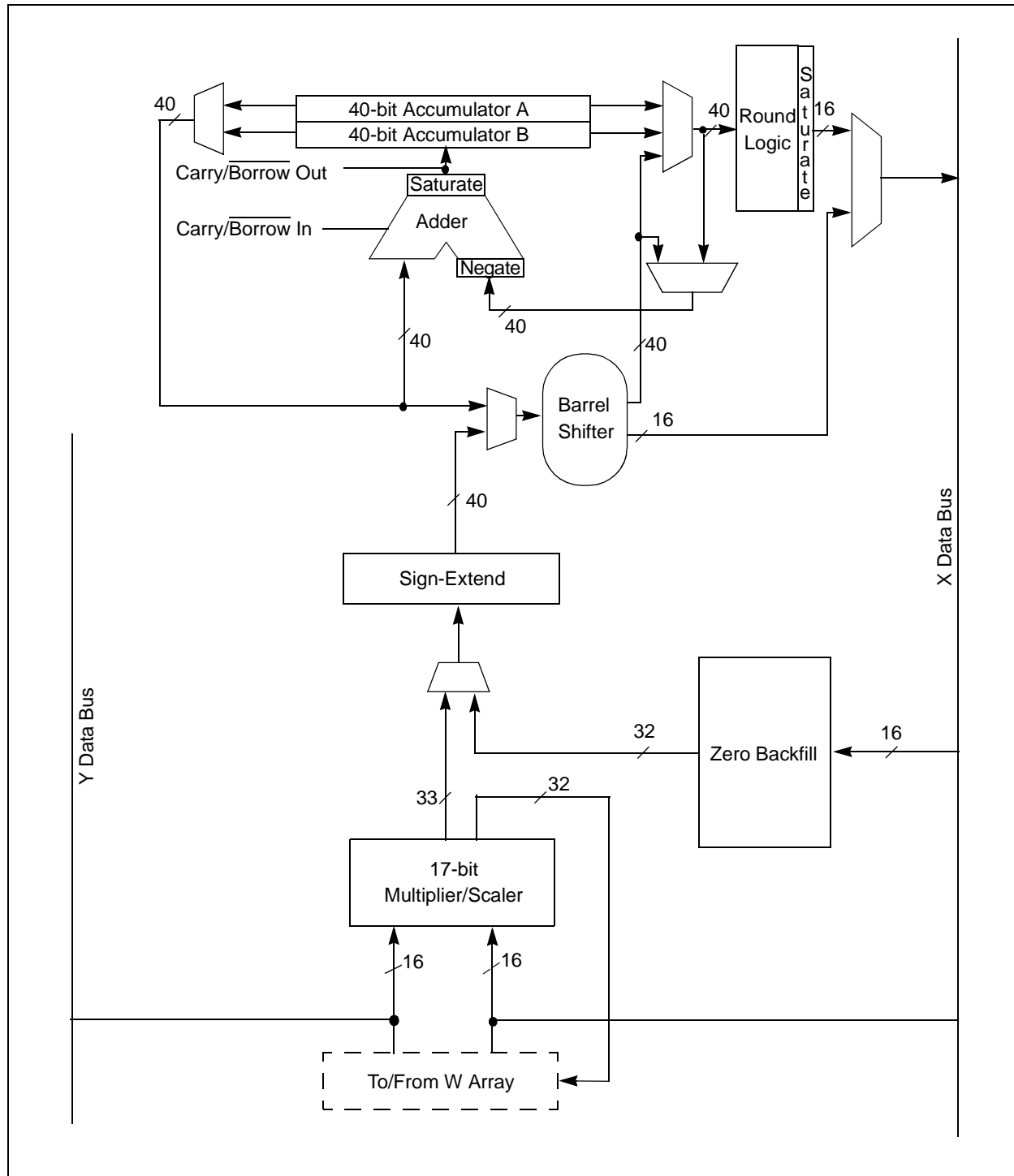
A block diagram of the DSP engine is shown in Figure 2-2.

TABLE 2-2: DSP INSTRUCTION SUMMARY

| Instruction | Algebraic Operation | ACC WB? |
|-------------|---------------------|---------|
| CLR | $A = 0$ | Yes |
| ED | $A = (x - y)^2$ | No |
| EDAC | $A = A + (x - y)^2$ | No |
| MAC | $A = A + (x * y)$ | Yes |
| MAC | $A = A + x^2$ | No |
| MOVSAC | No change in A | Yes |
| MPY | $A = x * y$ | No |
| MPY.N | $A = -x * y$ | No |
| MSC | $A = A - x * y$ | Yes |

dsPIC30F1010/202X

FIGURE 2-2: DSP ENGINE BLOCK DIAGRAM



2.4.1 MULTIPLIER

The 17x17-bit multiplier is capable of signed or unsigned operation and can multiplex its output using a scaler to support either 1.31 fractional (Q31) or 32-bit integer results. Unsigned operands are zero-extended into the 17th bit of the multiplier input value. Signed operands are sign-extended into the 17th bit of the multiplier input value. The output of the 17x17-bit multiplier/scaler is a 33-bit value, which is sign-extended to 40 bits. Integer data is inherently represented as a signed two's complement value, where the MSB is defined as a sign bit. Generally speaking, the range of an N-bit two's complement integer is -2^{N-1} to $2^{N-1} - 1$. For a 16-bit integer, the data range is -32768 (0x8000) to 32767 (0x7FFF), including 0. For a 32-bit integer, the data range is -2,147,483,648 (0x8000 0000) to 2,147,483,645 (0x7FFF FFFF).

When the multiplier is configured for fractional multiplication, the data is represented as a two's complement fraction, where the MSB is defined as a sign bit and the radix point is implied to lie just after the sign bit (QX format). The range of an N-bit two's complement fraction with this implied radix point is -1.0 to $(1-2^{1-N})$. For a 16-bit fraction, the Q15 data range is -1.0 (0x8000) to 0.999969482 (0x7FFF), including 0, and has a precision of 3.01518×10^{-5} . In Fractional mode, a 16x16 multiply operation generates a 1.31 product, which has a precision of 4.65661×10^{-10} .

The same multiplier is used to support the MCU multiply instructions, which include integer 16-bit signed, unsigned and mixed sign multiplies.

The `MUL` instruction may be directed to use byte or word sized operands. Byte operands will direct a 16-bit result, and word operands will direct a 32-bit result to the specified register(s) in the W array.

2.4.2 DATA ACCUMULATORS AND ADDER/SUBTRACTER

The data accumulator consists of a 40-bit adder/subtractor with automatic sign extension logic. It can select one of two accumulators (A or B) as its pre-accumulation source and post-accumulation destination. For the `ADD` and `LAC` instructions, the data to be accumulated or loaded can be optionally scaled via the barrel shifter, prior to accumulation.

2.4.2.1 Adder/Subtractor, Overflow and Saturation

The adder/subtractor is a 40-bit adder with an optional zero input into one side and either true or complement data into the other input. In the case of addition, the carry/borrow input is active high and the other input is true data (not complemented), whereas in the case of subtraction, the carry/borrow input is active low and the other input is complemented. The adder/subtractor generates overflow Status bits SA/SB and OA/OB, which are latched and reflected in the STATUS register.

- Overflow from bit 39: this is a catastrophic overflow in which the sign of the accumulator is destroyed.
- Overflow into guard bits 32 through 39: this is a recoverable overflow. This bit is set whenever all the guard bits are not identical to each other.

The adder has an additional saturation block which controls accumulator data saturation, if selected. It uses the result of the adder, the overflow Status bits described above, and the SATA/B (CORCON<7:6>) and ACCSAT (CORCON<4>) mode control bits to determine when and to what value to saturate.

Six STATUS register bits have been provided to support saturation and overflow; they are:

1. OA:
ACCA overflowed into guard bits
2. OB:
ACCB overflowed into guard bits
3. SA:
ACCA saturated (bit 31 overflow and saturation)
or
ACCA overflowed into guard bits and saturated (bit 39 overflow and saturation)
4. SB:
ACCB saturated (bit 31 overflow and saturation)
or
ACCB overflowed into guard bits and saturated (bit 39 overflow and saturation)
5. OAB:
Logical OR of OA and OB
6. SAB:
Logical OR of SA and SB

The OA and OB bits are modified each time data passes through the adder/subtractor. When set, they indicate that the most recent operation has overflowed into the accumulator guard bits (bits 32 through 39). The OA and OB bits can also optionally generate an arithmetic warning trap when set and the corresponding overflow trap flag enable bit (OVATE, OVBTE) in the INTCON1 register (refer to **Section 5.0 "Interrupts"**) is set. This allows the user to take immediate action, for example, to correct system gain.

dsPIC30F1010/202X

The SA and SB bits are modified each time data passes through the adder/subtractor, but can only be cleared by the user. When set, they indicate that the accumulator has overflowed its maximum range (bit 31 for 32-bit saturation, or bit 39 for 40-bit saturation) and will be saturated (if saturation is enabled). When saturation is not enabled, SA and SB default to bit 39 overflow and thus indicate that a catastrophic overflow has occurred. If the COVTE bit in the INTCON1 register is set, SA and SB bits will generate an arithmetic warning trap when saturation is disabled.

The overflow and saturation Status bits can optionally be viewed in the STATUS Register (SR) as the logical OR of OA and OB (in bit OAB) and the logical OR of SA and SB (in bit SAB). This allows programmers to check one bit in the STATUS Register to determine if either accumulator has overflowed, or one bit to determine if either accumulator has saturated. This is useful for complex number arithmetic, which typically uses both the accumulators.

The device supports three Saturation and Overflow modes.

1. **Bit 39 Overflow and Saturation:**
When bit 39 overflow and saturation occurs, the saturation logic loads the maximally positive 9.31 (0x7FFFFFFF) or maximally negative 9.31 value (0x80000000) into the target accumulator. The SA or SB bit is set and remains set until cleared by the user. This is referred to as 'super saturation' and provides protection against erroneous data or unexpected algorithm problems (e.g., gain calculations).
2. **Bit 31 Overflow and Saturation:**
When bit 31 overflow and saturation occurs, the saturation logic then loads the maximally positive 1.31 value (0x007FFFFFFF) or maximally negative 1.31 value (0x00800000) into the target accumulator. The SA or SB bit is set and remains set until cleared by the user. When this Saturation mode is in effect, the guard bits are not used (so the OA, OB or OAB bits are never set).
3. **Bit 39 Catastrophic Overflow**
The bit 39 overflow Status bit from the adder is used to set the SA or SB bit, which remain set until cleared by the user. No saturation operation is performed and the accumulator is allowed to overflow (destroying its sign). If the COVTE bit in the INTCON1 register is set, a catastrophic overflow can initiate a trap exception.

2.4.2.2 Accumulator 'Write Back'

The MAC class of instructions (with the exception of MPY, MPY.N, ED and EDAC) can optionally write a rounded version of the high word (bits 31 through 16) of the accumulator that is not targeted by the instruction into data space memory. The write is performed across the X bus into combined X and Y address space. The following addressing modes are supported:

1. **W13, Register Direct:**
The rounded contents of the non-target accumulator are written into W13 as a 1.15 fraction.
2. **[W13] + = 2, Register Indirect with Post-Increment:** The rounded contents of the non-target accumulator are written into the address pointed to by W13 as a 1.15 fraction. W13 is then incremented by 2 (for a word write).

2.4.2.3 Round Logic

The round logic is a combinational block, which performs a conventional (biased) or convergent (unbiased) round function during an accumulator write (store). The Round mode is determined by the state of the RND bit in the CORCON register. It generates a 16-bit, 1.15 data value which is passed to the data space write saturation logic. If rounding is not indicated by the instruction, a truncated 1.15 data value is stored and the least significant word (lsw) is simply discarded.

Conventional rounding takes bit 15 of the accumulator, zero-extends it and adds it to the ACCxH word (bits 16 through 31 of the accumulator). If the ACCxL word (bits 0 through 15 of the accumulator) is between 0x8000 and 0xFFFF (0x8000 included), ACCxH is incremented. If ACCxL is between 0x0000 and 0x7FFF, ACCxH is left unchanged. A consequence of this algorithm is that over a succession of random rounding operations, the value will tend to be biased slightly positive.

Convergent (or unbiased) rounding operates in the same manner as conventional rounding, except when ACCxL equals 0x8000. If this is the case, the LSb (bit 16 of the accumulator) of ACCxH is examined. If it is '1', ACCxH is incremented. If it is '0', ACCxH is not modified. Assuming that bit 16 is effectively random in nature, this scheme will remove any rounding bias that may accumulate.

The SAC and SAC.R instructions store either a truncated (SAC) or rounded (SAC.R) version of the contents of the target accumulator to data memory, via the X bus (subject to data saturation, see **Section 2.4.2.4 "Data Space Write Saturation"**). Note that for the MAC class of instructions, the accumulator write back operation will function in the same manner, addressing combined MCU (X and Y) data space though the X bus. For this class of instructions, the data is always subject to rounding.

2.4.2.4 Data Space Write Saturation

In addition to adder/subtractor saturation, writes to data space may also be saturated, but without affecting the contents of the source accumulator. The data space write saturation logic block accepts a 16-bit, 1.15 fractional value from the round logic block as its input, together with overflow status from the original source (accumulator) and the 16-bit round adder. These are combined and used to select the appropriate 1.15 fractional value as output to write to data space memory.

If the SATDW bit in the CORCON register is set, data (after rounding or truncation) is tested for overflow and adjusted accordingly. For input data greater than 0x007FFF, data written to memory is forced to the maximum positive 1.15 value, 0x7FFF. For input data less than 0xFF8000, data written to memory is forced to the maximum negative 1.15 value, 0x8000. The MSb of the source (bit 39) is used to determine the sign of the operand being tested.

If the SATDW bit in the CORCON register is not set, the input data is always passed through unmodified under all conditions.

2.4.3 BARREL SHIFTER

The barrel shifter is capable of performing up to 15-bit arithmetic or logic right shifts, or up to 16-bit left shifts in a single cycle. The source can be either of the two DSP accumulators or the X bus (to support multi-bit shifts of register or memory data).

The shifter requires a signed binary value to determine both the magnitude (number of bits) and direction of the shift operation. A positive value will shift the operand right. A negative value will shift the operand left. A value of '0' will not modify the operand.

The barrel shifter is 40 bits wide, thereby obtaining a 40-bit result for DSP shift operations and a 16-bit result for MCU shift operations. Data from the X bus is presented to the barrel shifter between bit positions 16 to 31 for right shifts, and bit positions 0 to 15 for left shifts.

dsPIC30F1010/202X

NOTES:

3.0 MEMORY ORGANIZATION

Note: This data sheet summarizes features of this group of dsPIC30F devices and is not intended to be a complete reference source. For more information on the CPU, peripherals, register descriptions and general device functionality, refer to the “dsPIC30F Family Reference Manual” (DS70046). For more information on the device instruction set and programming, refer to the “dsPIC30F/33F Programmer’s Reference Manual” (DS70157).

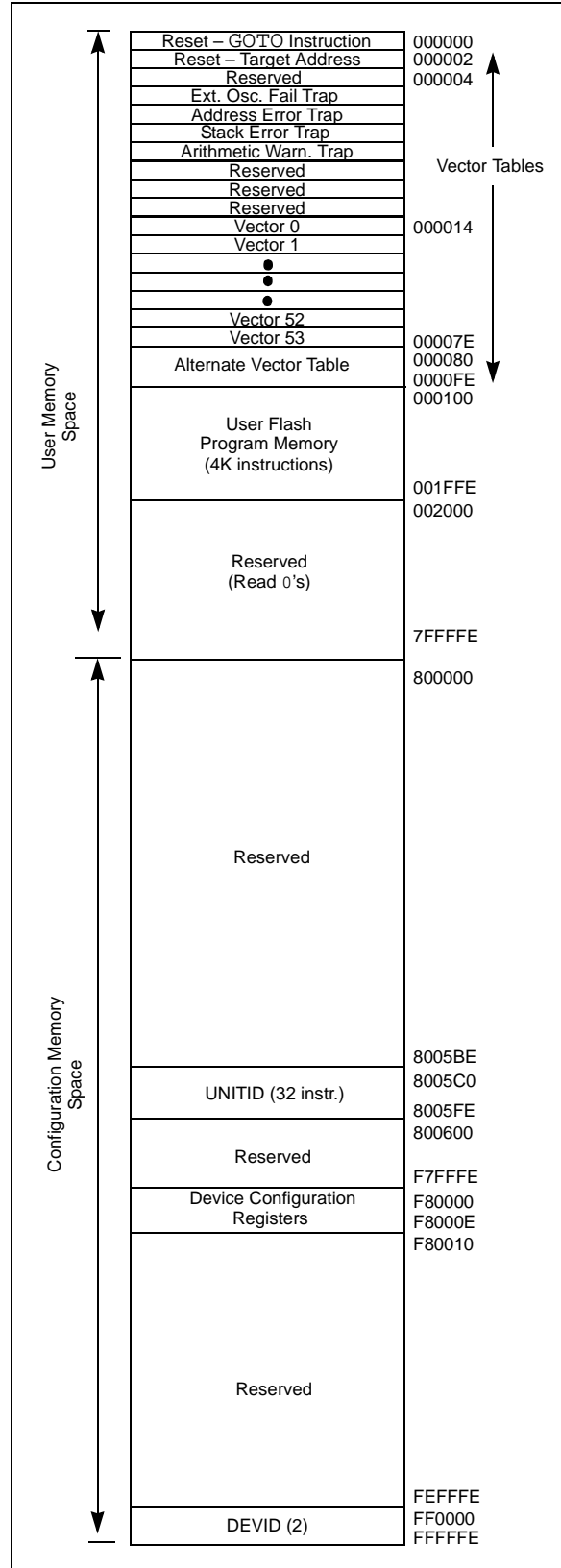
3.1 Program Address Space

The program address space is 4M instruction words. It is addressable by a 24-bit value from either the 23-bit PC, table instruction Effective Address (EA), or data space EA, when program space is mapped into data space, as defined by Table 3-1. Note that the program space address is incremented by two between successive program words, in order to provide compatibility with data space addressing.

User program space access is restricted to the lower 4M instruction word address range (0x000000 to 0x7FFFFFFE), for all accesses other than TBLRD/TBLWT, which use TBLPAG<7> to determine user or configuration space access. In Table 3-1, Read/Write instructions, bit 23 allows access to the Device ID, the User ID and the Configuration bits. Otherwise, bit 23 is always clear.

Note: The address map shown in Figure 3-1 is conceptual, and the actual memory configuration may vary across individual devices depending on available memory.

FIGURE 3-1: PROGRAM SPACE MEMORY MAP FOR dsPIC30F1010/202X

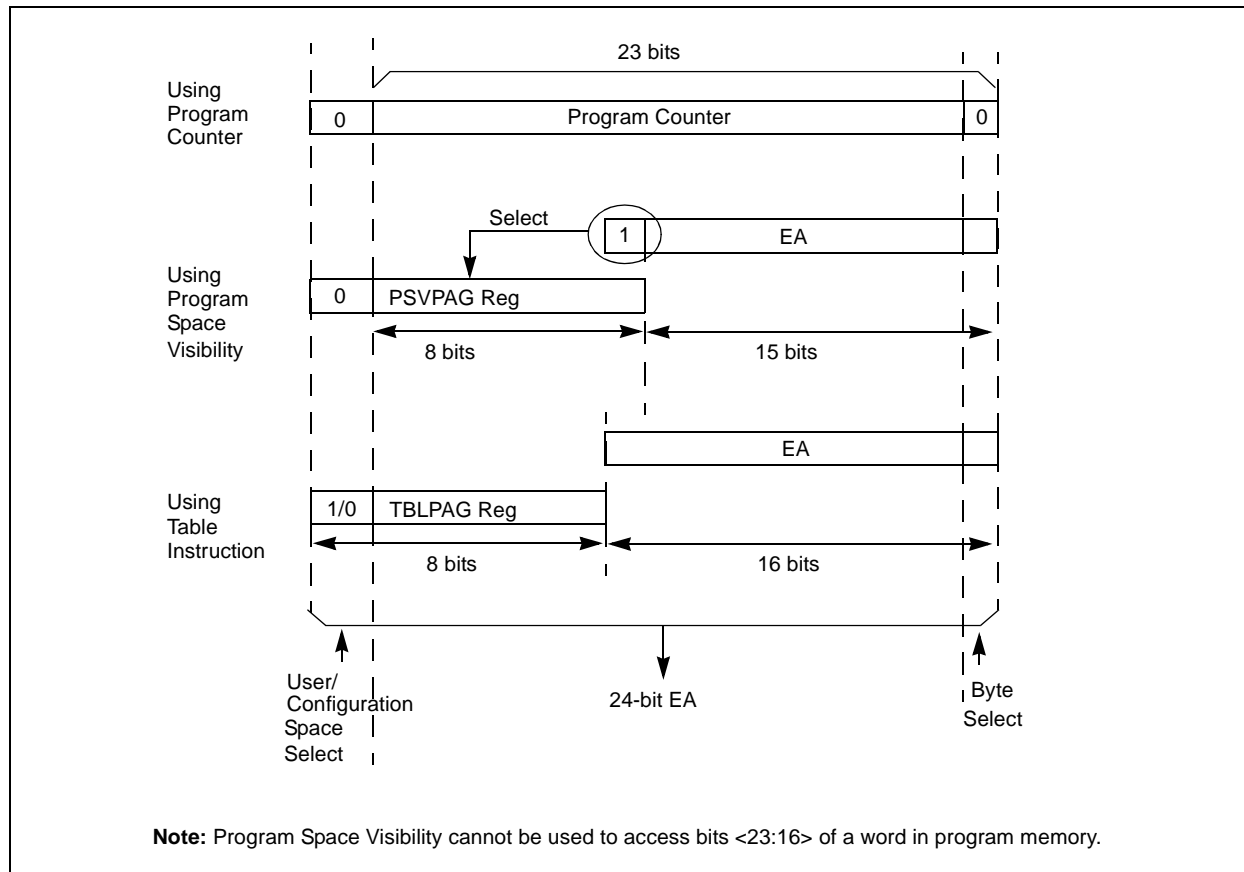


dsPIC30F1010/202X

TABLE 3-1: PROGRAM SPACE ADDRESS CONSTRUCTION

| Access Type | Access Space | Program Space Address | | | | |
|--------------------------|----------------------------------|-----------------------|-------------|------|----------------|-----|
| | | <23> | <22:16> | <15> | <14:1> | <0> |
| Instruction Access | User | 0 | PC<22:1> | | | 0 |
| TBLRD/TBLWT | User (TBLPAG<7> = 0) | TBLPAG<7:0> | | | Data EA <15:0> | |
| TBLRD/TBLWT | Configuration (TBLPAG<7> = 1) | TBLPAG<7:0> | | | Data EA <15:0> | |
| Program Space Visibility | User | 0 | PSVPAG<7:0> | | Data EA <14:0> | |

FIGURE 3-2: DATA ACCESS FROM PROGRAM SPACE ADDRESS GENERATION



3.1.1 DATA ACCESS FROM PROGRAM MEMORY USING TABLE INSTRUCTIONS

This architecture fetches 24-bit wide program memory. Consequently, instructions are always aligned. However, as the architecture is modified Harvard, data can also be present in program space.

There are two methods by which program space can be accessed; via special table instructions, or through the remapping of a 16K word program space page into the upper half of data space (see **Section 3.1.2 “Data Access from Program Memory Using Program Space Visibility”**). The **TBLRDL** and **TBLWTL** instructions offer a direct method of reading or writing the least significant word (lsw) of any address within program space, without going through data space. The **TBLRDH** and **TBLWTH** instructions are the only method whereby the upper 8 bits of a program space word can be accessed as data.

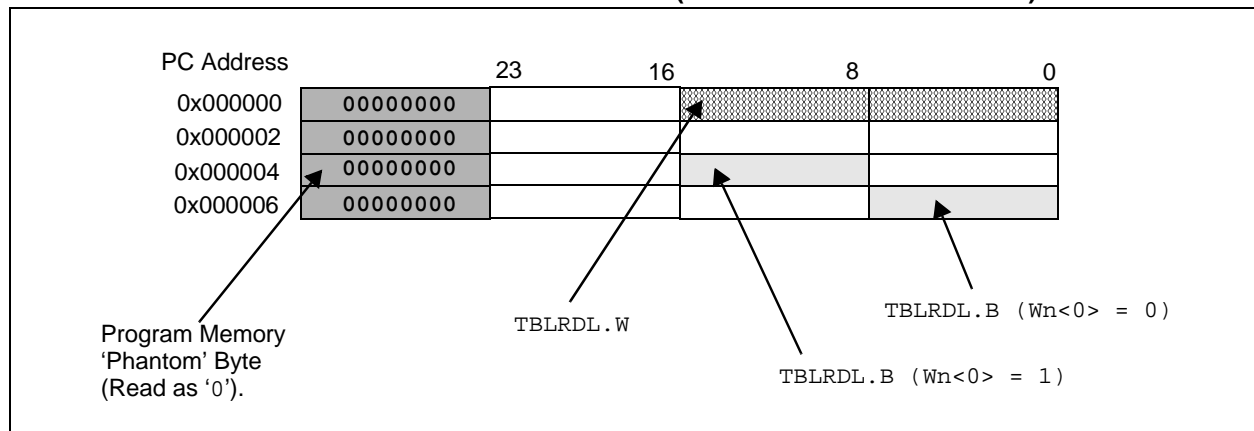
The PC is incremented by two for each successive 24-bit program word. This allows program memory addresses to directly map to data space addresses. Program memory can thus be regarded as two 16-bit word wide address spaces, residing side by side, each with the same address range. **TBLRDL** and **TBLWTL** access the space which contains the Least Significant Data Word, and **TBLRDH** and **TBLWTH** access the space which contains the Most Significant Data Byte.

Figure 3-2 shows how the EA is created for table operations and data space accesses (PSV = 1). Here, P<23:0> refers to a program space word, whereas D<15:0> refers to a data space word.

A set of Table Instructions is provided to move byte or word sized data to and from program space.

1. **TBLRDL**: Table Read Low
Word: Read the lsw of the program address; P<15:0> maps to D<15:0>.
Byte: Read one of the LSBs of the program address; P<7:0> maps to the destination byte when byte select = 0; P<15:8> maps to the destination byte when byte select = 1.
2. **TBLWTL**: Table Write Low (refer to **Section 7.0 “Flash Program Memory”** for details on Flash Programming).
3. **TBLRDH**: Table Read High
Word: Read the most significant word of the program address; P<23:16> maps to D<7:0>; D<15:8> always be = 0.
Byte: Read one of the MSBs of the program address; P<23:16> maps to the destination byte when byte select = 0; The destination byte will always be = 0 when byte select = 1.
4. **TBLWTH**: Table Write High (refer to **Section 7.0 “Flash Program Memory”** for details on Flash Programming).

FIGURE 3-3: PROGRAM DATA TABLE ACCESS (LEAST SIGNIFICANT WORD)



dsPIC30F1010/202X

FIGURE 3-4: PROGRAM DATA TABLE ACCESS (MOST SIGNIFICANT BYTE)



3.1.2 DATA ACCESS FROM PROGRAM MEMORY USING PROGRAM SPACE VISIBILITY

The upper 32 Kbytes of data space may optionally be mapped into any 16K word program space page. This provides transparent access of stored constant data from X data space, without the need to use special instructions (i.e., TBLRDL/H, TBLWTL/H instructions).

Program space access through the data space occurs if the MSb of the data space EA is set and program space visibility is enabled, by setting the PSV bit in the Core Control register (CORCON). The functions of CORCON are discussed in **Section 2.4 "DSP Engine"**.

Data accesses to this area add an additional cycle to the instruction being executed, since two program memory fetches are required.

Note that the upper half of addressable data space is always part of the X data space. Therefore, when a DSP operation uses program space mapping to access this memory region, Y data space should typically contain state (variable) data for DSP operations, whereas X data space should typically contain coefficient (constant) data.

Although each data space address, 0x8000 and higher, maps directly into a corresponding program memory address (see Figure 3-5), only the lower 16-bits of the 24-bit program word are used to contain the data. The upper 8 bits should be programmed to force an illegal instruction to maintain machine robustness. Refer to the "*dsPIC30F/33F Programmer's Reference Manual*" (DS70157) for details on instruction encoding.

Note that by incrementing the PC by 2 for each program memory word, the Least Significant 15 bits of data space addresses directly map to the Least Significant 15 bits in the corresponding program space addresses. The remaining bits are provided by the Program Space Visibility Page register, PSVPAG<7:0>, as shown in Figure 3-5.

Note: PSV access is temporarily disabled during Table Reads/Writes.

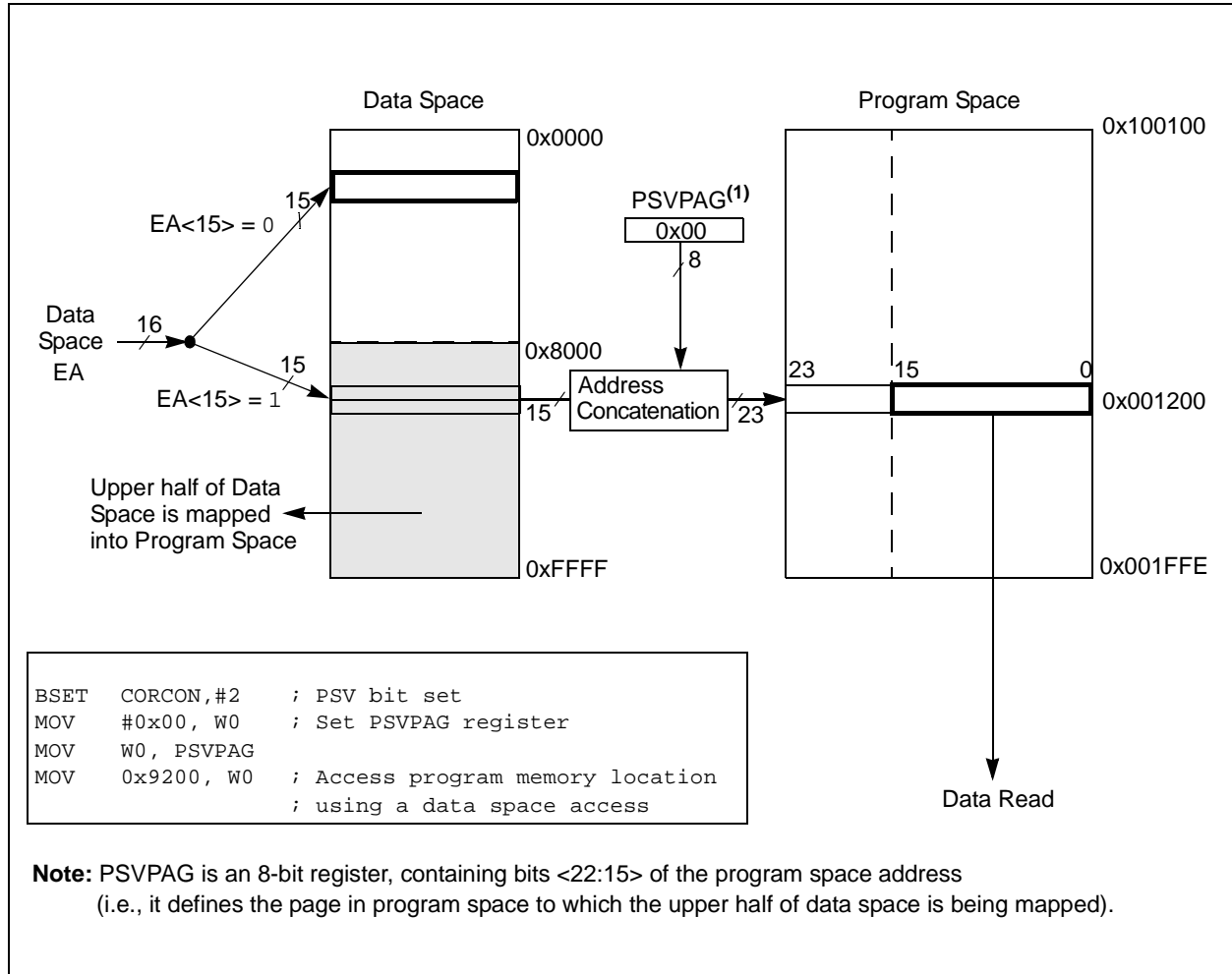
For instructions that use PSV which are executed outside a REPEAT loop:

- The following instructions will require one instruction cycle in addition to the specified execution time:
 - MAC class of instructions with data operand prefetch
 - MOV instructions
 - MOV.D instructions
- All other instructions will require two instruction cycles in addition to the specified execution time of the instruction.

For instructions that use PSV which are executed inside a REPEAT loop:

- The following instances will require two instruction cycles in addition to the specified execution time of the instruction:
 - Execution in the first iteration
 - Execution in the last iteration
 - Execution prior to exiting the loop due to an interrupt
 - Execution upon re-entering the loop after an interrupt is serviced
- Any other iteration of the REPEAT loop will allow the instruction, accessing data using PSV, to execute in a single cycle.

FIGURE 3-5: DATA SPACE WINDOW INTO PROGRAM SPACE OPERATION



3.2 Data Address Space

The core has two data spaces. The data spaces can be considered either separate (for some DSP instructions), or as one unified linear address range (for MCU instructions). The data spaces are accessed using two Address Generation Units (AGUs) and separate data paths.

3.2.1 DATA SPACE MEMORY MAP

The data space memory is split into two blocks, X and Y data space. A key element of this architecture is that Y space is a subset of X space, and is fully contained within X space. In order to provide an apparent linear addressing space, X and Y spaces have contiguous addresses.

When executing any instruction other than one of the MAC class of instructions, the X block consists of the 256 byte data address space (including all Y addresses). When executing one of the MAC class of instructions, the X block consists of the 256 bytes data address space excluding the Y address block (for data reads only). In other words, all other instructions regard the entire data memory as one composite address space. The MAC class instructions extract the Y address space from data space and address it using EAs sourced from W10 and W11. The remaining X data space is addressed using W8 and W9. Both address spaces are concurrently accessed only with the MAC class instructions.

A data space memory map is shown in Figure 3-6.

dsPIC30F1010/202X

FIGURE 3-6: DATA SPACE MEMORY MAP

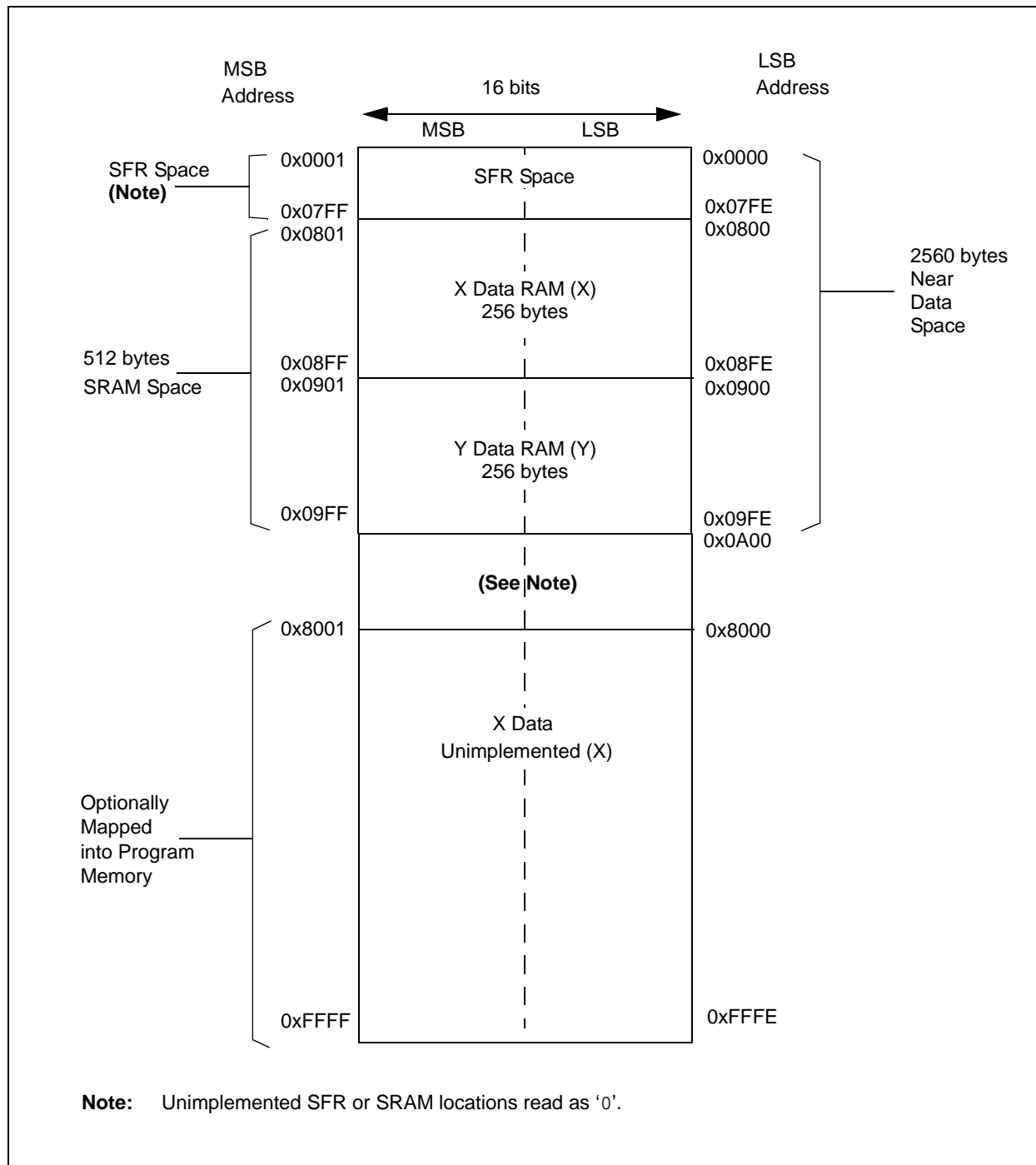
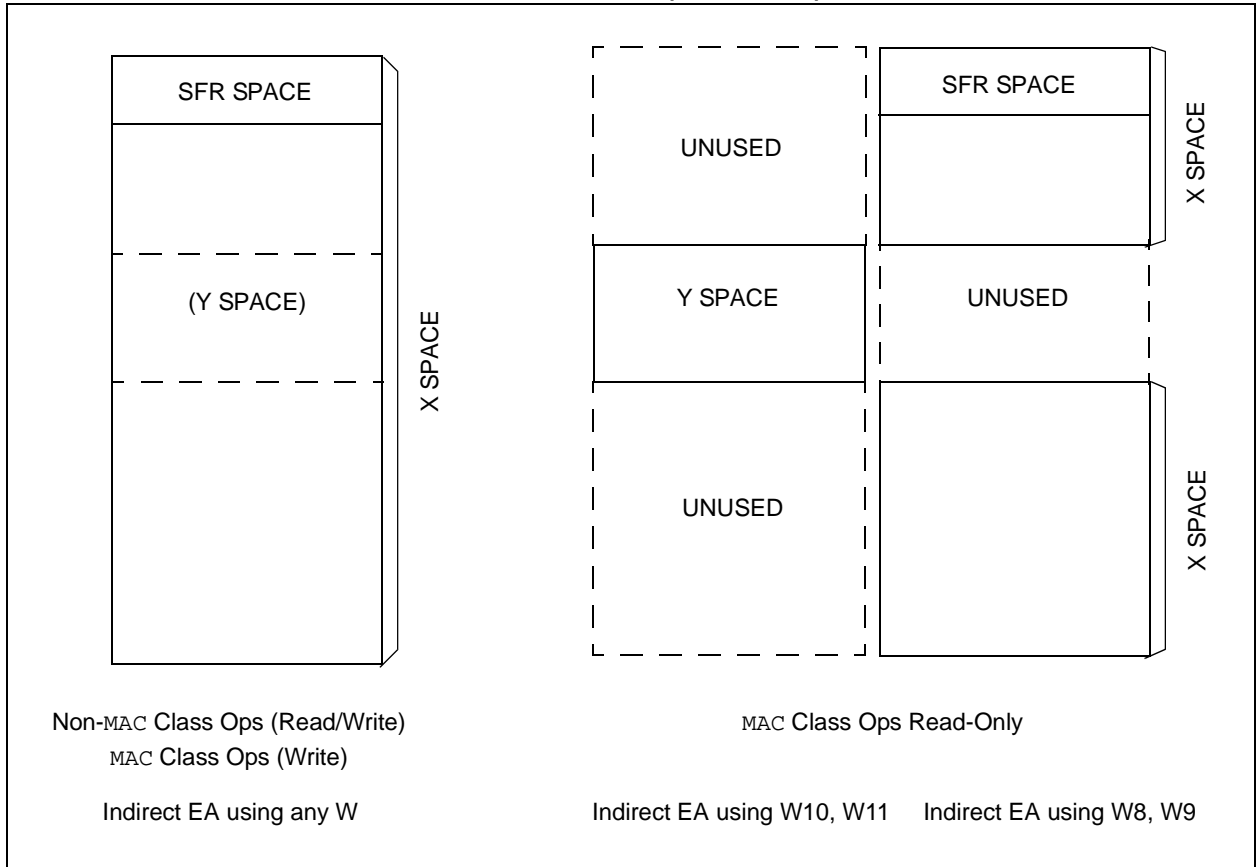


FIGURE 3-7: DATA SPACE FOR MCU AND DSP (MAC CLASS) INSTRUCTIONS



dsPIC30F1010/202X

3.2.2 DATA SPACES

The X data space is used by all instructions and supports all Addressing modes. There are separate read and write data buses. The X read data bus is the return data path for all instructions that view data space as combined X and Y address space. It is also the X address space data path for the dual operand read instructions (MAC class). The X write data bus is the only write path to data space for all instructions.

The X data space also supports modulo addressing for all instructions, subject to Addressing mode restrictions. Bit-Reversed Addressing is only supported for writes to X data space.

The Y data space is used in concert with the X data space by the MAC class of instructions (CLR, ED, EDAC, MAC, MOV SAC, MPY, MPY.N and MSC) to provide two concurrent data read paths. No writes occur across the Y bus. This class of instructions dedicates two W register pointers, W10 and W11, to always address Y data space, independent of X data space, whereas W8 and W9 always address X data space. Note that during accumulator write back, the data address space is considered a combination of X and Y data spaces, so the write occurs across the X bus. Consequently, the write can be to any address in the entire data space.

The Y data space can only be used for the data prefetch operation associated with the MAC class of instructions. It also supports modulo addressing for automated circular buffers. Of course, all other instructions can access the Y data address space through the X data path, as part of the composite linear space.

The boundary between the X and Y data spaces is defined as shown in Figure 3-6 and is not user programmable. Should an EA point to data outside its own assigned address space, or to a location outside physical memory, an all-zero word/byte will be returned. For example, although Y address space is visible by all non-MAC instructions using any Addressing mode, an attempt by a MAC instruction to fetch data from that space, using W8 or W9 (X space pointers), will return 0x0000.

TABLE 3-2: EFFECT OF INVALID MEMORY ACCESSES

| Attempted Operation | Data Returned |
|---|---------------|
| EA = an unimplemented address | 0x0000 |
| W8 or W9 used to access Y data space in a MAC instruction | 0x0000 |
| W10 or W11 used to access X data space in a MAC instruction | 0x0000 |

All effective addresses are 16 bits wide and point to bytes within the data space. Therefore, the data space address range is 64 Kbytes or 32K words.

3.2.3 DATA SPACE WIDTH

The core data width is 16 bits. All internal registers are organized as 16-bit wide words. Data space memory is organized in byte addressable, 16-bit wide blocks.

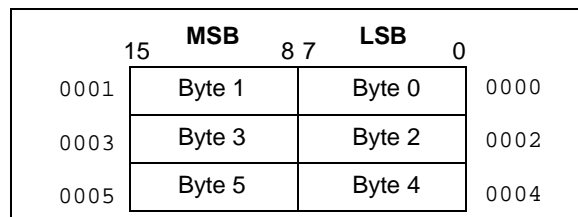
3.2.4 DATA ALIGNMENT

To help maintain backward compatibility with PIC® MCU devices and improve data space memory usage efficiency, the dsPIC30F instruction set supports both word and byte operations. Data is aligned in data memory and registers as words, but all data space EAs resolve to bytes. Data byte reads will read the complete word, which contains the byte, using the LSB of any EA to determine which byte to select. The selected byte is placed onto the LSB of the X data path (no byte accesses are possible from the Y data path as the MAC class of instruction can only fetch words). That is, data memory and registers are organized as two parallel byte-wide entities with shared (word) address decode, but separate write lines. Data byte writes only write to the corresponding side of the array or register which matches the byte address.

As a consequence of this byte accessibility, all effective address calculations (including those generated by the DSP operations, which are restricted to word sized data) are internally scaled to step through word-aligned memory. For example, the core would recognize that Post-Modified Register Indirect Addressing mode, [Ws++], will result in a value of Ws + 1 for byte operations and Ws + 2 for word operations.

All word accesses must be aligned to an even address. Misaligned word data fetches are not supported, so care must be taken when mixing byte and word operations, or translating from 8-bit MCU code. Should a misaligned read or write be attempted, an address error trap will be generated. If the error occurred on a read, the instruction underway is completed, whereas if it occurred on a write, the instruction will be executed but the write will not occur. In either case, a trap will then be executed, allowing the system and/or user to examine the machine state prior to execution of the address fault.

FIGURE 3-8: DATA ALIGNMENT



All byte loads into any W register are loaded into the LSB. The MSB is not modified.

A Sign-Extend (SE) instruction is provided to allow users to translate 8-bit signed data to 16-bit signed values. Alternatively, for 16-bit unsigned data, users can clear the MSB of any W register by executing a Zero-Extend (ZE) instruction on the appropriate address.

Although most instructions are capable of operating on word or byte data sizes, it should be noted that some instructions, including the DSP instructions, operate only on words.

3.2.5 NEAR DATA SPACE

An 8 Kbyte 'near' data space is reserved in X address memory space between 0x0000 and 0x1FFF, which is directly addressable via a 13-bit absolute address field within all memory direct instructions. The remaining X address space and all of the Y address space is addressable indirectly. Additionally, the whole of X data space is addressable using MOV instructions, which support memory direct addressing with a 16-bit address field.

3.2.6 SOFTWARE STACK

The dsPIC DSC device contains a software stack. W15 is used as the Stack Pointer.

The Stack Pointer always points to the first available free word and grows from lower addresses towards higher addresses. It pre-decrements for stack pops and post-increments for stack pushes, as shown in Figure 3-9. Note that for a PC push during any CALL instruction, the MSB of the PC is zero-extended before the push, ensuring that the MSB is always clear.

Note: A PC push during exception processing will concatenate the SRL register to the MSB of the PC prior to the push.

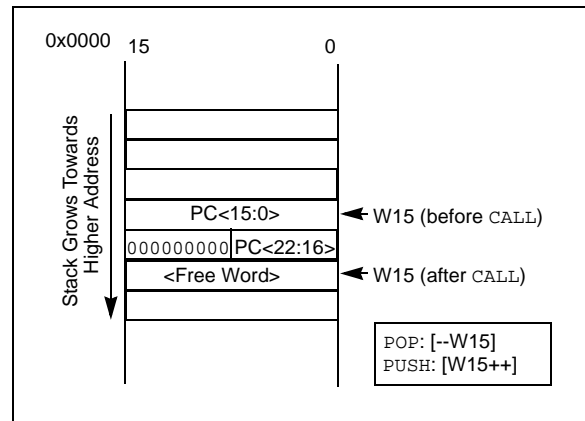
There is a Stack Pointer Limit register (SPLIM) associated with the Stack Pointer. SPLIM is uninitialized at Reset. As is the case for the Stack Pointer, SPLIM<0> is forced to '0', because all stack operations must be word-aligned. Whenever an Effective Address (EA) is

generated using W15 as a source or destination pointer, the address thus generated is compared with the value in SPLIM. If the contents of the Stack Pointer (W15) and the SPLIM register are equal and a push operation is performed, a stack error trap will not occur. The stack error trap will occur on a subsequent push operation. Thus, for example, if it is desirable to cause a stack error trap when the stack grows beyond address 0x2000 in RAM, initialize the SPLIM with the value, 0x1FFE.

Similarly, a Stack Pointer Underflow (stack error) trap is generated when the Stack Pointer address is found to be less than 0x0800, thus preventing the stack from interfering with the Special Function Register (SFR) space.

A write to the SPLIM register should not be immediately followed by an indirect read operation using W15.

FIGURE 3-9: CALL STACK FRAME



3.2.7 DATA RAM PROTECTION

The dsPIC30F1010/202X devices support data RAM protection features which enable segments of RAM to be protected when used in conjunction with Boot Code Segment Security. BSRAM (Secure RAM segment for BS) is accessible only from the Boot Segment Flash code when enabled. See Table 3-3 for the BSRAM SFR.

TABLE 3-3: CORE REGISTER MAP

| SFR Name | Addr. | Bit 15 | Bit 14 | Bit 13 | Bit 12 | Bit 11 | Bit 10 | Bit 9 | Bit 8 | Bit 7 | Bit 6 | Bit 5 | Bit 4 | Bit 3 | Bit 2 | Bit 1 | Bit 0 | Reset State |
|----------|-------|---------------------------|--------|--------|--------|--------|--------|-------|-------|----------|-------|-------|--------|-------|-------|---------------------|---------------------|---------------------|
| W0 | 0000 | W0/WREG | | | | | | | | | | | | | | | | 0000 0000 0000 0000 |
| W1 | 0002 | W1 | | | | | | | | | | | | | | | | 0000 0000 0000 0000 |
| W2 | 0004 | W2 | | | | | | | | | | | | | | | | 0000 0000 0000 0000 |
| W3 | 0006 | W3 | | | | | | | | | | | | | | | | 0000 0000 0000 0000 |
| W4 | 0008 | W4 | | | | | | | | | | | | | | | | 0000 0000 0000 0000 |
| W5 | 000A | W5 | | | | | | | | | | | | | | | | 0000 0000 0000 0000 |
| W6 | 000C | W6 | | | | | | | | | | | | | | | | 0000 0000 0000 0000 |
| W7 | 000E | W7 | | | | | | | | | | | | | | | | 0000 0000 0000 0000 |
| W8 | 0010 | W8 | | | | | | | | | | | | | | | | 0000 0000 0000 0000 |
| W9 | 0012 | W9 | | | | | | | | | | | | | | | | 0000 0000 0000 0000 |
| W10 | 0014 | W10 | | | | | | | | | | | | | | | | 0000 0000 0000 0000 |
| W11 | 0016 | W11 | | | | | | | | | | | | | | | | 0000 0000 0000 0000 |
| W12 | 0018 | W12 | | | | | | | | | | | | | | | | 0000 0000 0000 0000 |
| W13 | 001A | W13 | | | | | | | | | | | | | | | | 0000 0000 0000 0000 |
| W14 | 001C | W14 | | | | | | | | | | | | | | | | 0000 0000 0000 0000 |
| W15 | 001E | W15 | | | | | | | | | | | | | | | | 0000 1000 0000 0000 |
| SPLIM | 0020 | SPLIM | | | | | | | | | | | | | | | | 0000 0000 0000 0000 |
| ACCAL | 0022 | ACCAL | | | | | | | | | | | | | | | | 0000 0000 0000 0000 |
| ACCAH | 0024 | ACCAH | | | | | | | | | | | | | | | | 0000 0000 0000 0000 |
| ACCAU | 0026 | Sign-Extension (ACCA<39>) | | | | | | | | | | ACCAU | | | | | | 0000 0000 0000 0000 |
| ACCBL | 0028 | ACCBL | | | | | | | | | | | | | | | | 0000 0000 0000 0000 |
| ACCBH | 002A | ACCBH | | | | | | | | | | | | | | | | 0000 0000 0000 0000 |
| ACCBU | 002C | Sign-Extension (ACCB<39>) | | | | | | | | | | ACCBU | | | | | | 0000 0000 0000 0000 |
| PCL | 002E | PCL | | | | | | | | | | | | | | | | 0000 0000 0000 0000 |
| PCH | 0030 | — | — | — | — | — | — | — | — | — | PCH | | | | | | 0000 0000 0000 0000 | |
| TBLPAG | 0032 | — | — | — | — | — | — | — | — | TBLPAG | | | | | | 0000 0000 0000 0000 | | |
| PSVPAG | 0034 | — | — | — | — | — | — | — | — | PSVPAG | | | | | | 0000 0000 0000 0000 | | |
| RCOUNT | 0036 | RCOUNT | | | | | | | | | | | | | | | | uuuu uuuu uuuu uuuu |
| DCOUNT | 0038 | DCOUNT | | | | | | | | | | | | | | | | uuuu uuuu uuuu uuuu |
| DOSTARTL | 003A | DOSTARTL | | | | | | | | | | | | | | | | 0 |
| DOSTARTH | 003C | — | — | — | — | — | — | — | — | DOSTARTH | | | | | | 0000 0000 0uuu uuuu | | |
| DOENDL | 003E | DOENDL | | | | | | | | | | | | | | | | 0 |
| DOENDH | 0040 | — | — | — | — | — | — | — | — | DOENDH | | | | | | 0000 0000 0uuu uuuu | | |
| SR | 0042 | OA | OB | SA | SB | OAB | SAB | DA | DC | IPL2 | IPL1 | IPL0 | RA | N | OV | Z | C | 0000 0000 0000 0000 |
| CORCON | 0044 | — | — | — | US | EDT | DL2 | DL1 | DL0 | SATA | SATB | SATDW | ACCSAT | IPL3 | PSV | RND | IF | 0000 0000 0010 0000 |

Legend: u = uninitialized bit

TABLE 3-3: CORE REGISTER MAP (CONTINUED)

| SFR Name | Addr. | Bit 15 | Bit 14 | Bit 13 | Bit 12 | Bit 11 | Bit 10 | Bit 9 | Bit 8 | Bit 7 | Bit 6 | Bit 5 | Bit 4 | Bit 3 | Bit 2 | Bit 1 | Bit 0 | Reset State |
|----------|-------|----------|----------|---------------|--------|----------|--------|-------|-------|----------|-------|-------|-------|----------|--------|--------|---------------------|---------------------|
| MODCON | 0046 | XMODEN | YMODEN | — | — | BWM<3:0> | | | | YWM<3:0> | | | | XWM<3:0> | | | 0000 0000 0000 0000 | |
| XMODSRT | 0048 | XS<15:1> | | | | | | | | | | | | | | 0 | uuuu uuuu uuuu uuu0 | |
| XMODEND | 004A | XE<15:1> | | | | | | | | | | | | | | 1 | uuuu uuuu uuuu uuu1 | |
| YMODSRT | 004C | YS<15:1> | | | | | | | | | | | | | | 0 | uuuu uuuu uuuu uuu0 | |
| YMODEND | 004E | YE<15:1> | | | | | | | | | | | | | | 1 | uuuu uuuu uuuu uuu1 | |
| XBREV | 0050 | BREN | XB<14:0> | | | | | | | | | | | | | | uuuu uuuu uuuu uuuu | |
| DISICNT | 0052 | — | — | DISICNT<13:0> | | | | | | | | | | | | | | 0000 0000 0000 0000 |
| BSRAM | 0750 | — | — | — | — | — | — | — | — | — | — | — | — | — | IW_BSR | IR_BSR | RL_BSR | 0000 0000 0000 0000 |

Legend: u = uninitialized bit

Note: Refer to the “*dsPIC30F Family Reference Manual*” (DS70046) for descriptions of register bit fields.

dsPIC30F1010/202X

NOTES:

4.0 ADDRESS GENERATOR UNITS

Note: This data sheet summarizes features of this group of dsPIC30F devices and is not intended to be a complete reference source. For more information on the CPU, peripherals, register descriptions and general device functionality, refer to the “*dsPIC30F Family Reference Manual*” (DS70046). For more information on the device instruction set and programming, refer to the “*dsPIC30F/33F Programmer’s Reference Manual*” (DS70157).

The dsPIC DSC core contains two independent address generator units: the X AGU and Y AGU. The Y AGU supports word sized data reads for the DSP *MAC* class of instructions only. The dsPIC DSC AGUs support three types of data addressing:

- Linear Addressing
- Modulo (Circular) Addressing
- Bit-Reversed Addressing

Linear and Modulo Data Addressing modes can be applied to data space or program space. Bit-Reversed Addressing is only applicable to data space addresses.

4.1 Instruction Addressing Modes

The Addressing modes in Table 4-1 form the basis of the Addressing modes optimized to support the specific features of individual instructions. The Addressing modes provided in the *MAC* class of instructions are somewhat different from those in the other instruction types.

4.1.1 FILE REGISTER INSTRUCTIONS

Most file register instructions use a 13-bit address field (f) to directly address data present in the first 8192 bytes of data memory (near data space). Most file register instructions employ a working register, W0, which is denoted as WREG in these instructions. The destination is typically either the same file register, or WREG (with the exception of the *MUL* instruction), which writes the result to a register or register pair. The *MOV* instruction allows additional flexibility and can access the entire data space.

TABLE 4-1: FUNDAMENTAL ADDRESSING MODES SUPPORTED

| Addressing Mode | Description |
|--|--|
| File Register Direct | The address of the file register is specified explicitly. |
| Register Direct | The contents of a register are accessed directly. |
| Register Indirect | The contents of Wn forms the EA. |
| Register Indirect Post-modified | The contents of Wn forms the EA. Wn is post-modified (incremented or decremented) by a constant value. |
| Register Indirect Pre-modified | Wn is pre-modified (incremented or decremented) by a signed constant value to form the EA. |
| Register Indirect with Register Offset | The sum of Wn and Wb forms the EA. |
| Register Indirect with Literal Offset | The sum of Wn and a literal forms the EA. |

dsPIC30F1010/202X

4.1.2 MCU INSTRUCTIONS

The three-operand MCU instructions are of the form:

Operand 3 = Operand 1 <function> Operand 2

where Operand 1 is always a working register (i.e., the Addressing mode can only be register direct), which is referred to as Wb. Operand 2 can be a W register, fetched from data memory, or a 5-bit literal. The result location can be either a W register or an address location. The following Addressing modes are supported by MCU instructions:

- Register Direct
- Register Indirect
- Register Indirect Post-modified
- Register Indirect Pre-modified
- 5-bit or 10-bit Literal

Note: Not all instructions support all the Addressing modes given above. Individual instructions may support different subsets of these Addressing modes.

4.1.3 MOVE AND ACCUMULATOR INSTRUCTIONS

Move instructions and the DSP Accumulator class of instructions provide a greater degree of addressing flexibility than other instructions. In addition to the Addressing modes supported by most MCU instructions, move and accumulator instructions also support Register Indirect with Register Offset Addressing mode, also referred to as Register Indexed mode.

Note: For the MOV instructions, the Addressing mode specified in the instruction can differ for the source and destination EA. However, the 4-bit Wb (Register Offset) field is shared between both source and destination (but typically only used by one).

In summary, the following Addressing modes are supported by move and accumulator instructions:

- Register Direct
- Register Indirect
- Register Indirect Post-modified
- Register Indirect Pre-modified
- Register Indirect with Register Offset (Indexed)
- Register Indirect with Literal Offset
- 8-bit Literal
- 16-bit Literal

Note: Not all instructions support all the Addressing modes given above. Individual instructions may support different subsets of these Addressing modes.

4.1.4 MAC INSTRUCTIONS

The dual source operand DSP instructions (CLR, ED, EDAC, MAC, MPY, MPY.N, MOVSAC and MSC), also referred to as MAC instructions, utilize a simplified set of Addressing modes to allow the user to effectively manipulate the data pointers through register indirect tables.

The two source operand prefetch registers must be a member of the set {W8, W9, W10, W11}. For data reads, W8 and W9 will always be directed to the X RAGU and W10 and W11 will always be directed to the Y AGU. The effective addresses generated (before and after modification) must, therefore, be valid addresses within X data space for W8 and W9 and Y data space for W10 and W11.

Note: Register Indirect with Register Offset Addressing is only available for W9 (in X space) and W11 (in Y space).

In summary, the following Addressing modes are supported by the MAC class of instructions:

- Register Indirect
- Register Indirect Post-modified by 2
- Register Indirect Post-modified by 4
- Register Indirect Post-modified by 6
- Register Indirect with Register Offset (Indexed)

4.1.5 OTHER INSTRUCTIONS

Besides the various Addressing modes outlined above, some instructions use literal constants of various sizes. For example, BRA (branch) instructions use 16-bit signed literals to specify the branch destination directly, whereas the DISI instruction uses a 14-bit unsigned literal field. In some instructions, such as ADD ACC, the source of an operand or result is implied by the opcode itself. Certain operations, such as NOP, do not have any operands.

4.2 Modulo Addressing

Modulo addressing is a method of providing an automated means to support circular data buffers using hardware. The objective is to remove the need for software to perform data address boundary checks when executing tightly looped code, as is typical in many DSP algorithms.

Modulo addressing can operate in either data or program space (since the data pointer mechanism is essentially the same for both). One circular buffer can be supported in each of the X (which also provides the pointers into program space) and Y data spaces. Modulo addressing can operate on any W register pointer. However, it is not advisable to use W14 or W15 for modulo addressing, since these two registers are used as the Stack Frame Pointer and Stack Pointer, respectively.

In general, any particular circular buffer can only be configured to operate in one direction, as there are certain restrictions on the buffer start address (for incrementing buffers) or end address (for decrementing buffers) based upon the direction of the buffer.

The only exception to the usage restrictions is for buffers which have a power-of-2 length. As these buffers satisfy the start and end address criteria, they may operate in a Bidirectional mode, (i.e., address boundary checks will be performed on both the lower and upper address boundaries).

4.2.1 START AND END ADDRESS

The modulo addressing scheme requires that a starting and an end address be specified and loaded into the 16-bit modulo buffer address registers: XMODSRT, XMODEND, YMODSRT and YMODEND (see Table 3-3).

Note: Y-space modulo addressing EA calculations assume word sized data (LSb of every EA is always clear).

The length of a circular buffer is not directly specified. It is determined by the difference between the corresponding start and end addresses. The maximum possible length of the circular buffer is 32K words (64 Kbytes).

4.2.2 W ADDRESS REGISTER SELECTION

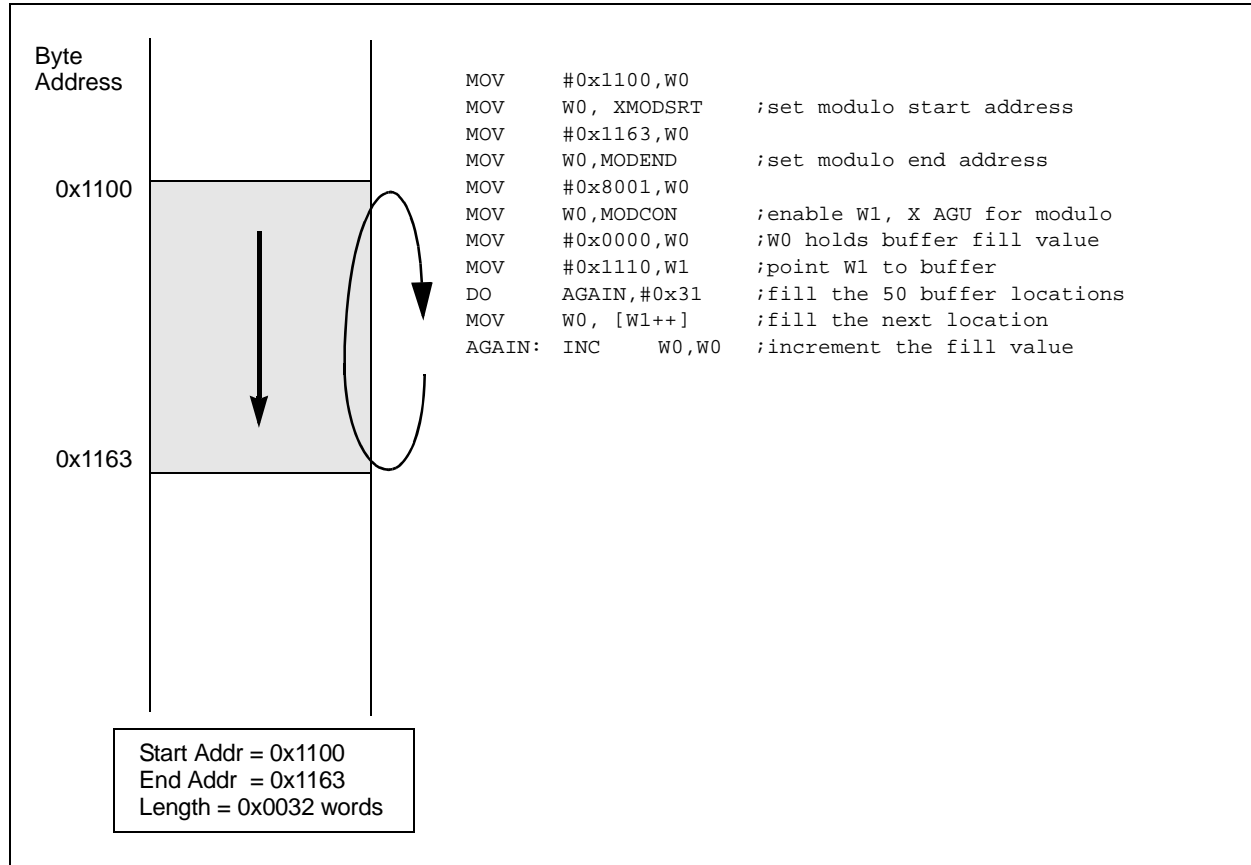
The Modulo and Bit-Reversed Addressing Control register MODCON<15:0> contains enable flags as well as a W register field to specify the W address registers. The XWM and YWM fields select which registers will operate with modulo addressing. If XWM = 15, X RAGU and X WAGU modulo addressing are disabled. Similarly, if YWM = 15, Y AGU modulo addressing is disabled.

The X Address Space Pointer W register (XWM) to which modulo addressing is to be applied, is stored in MODCON<3:0> (see Table 3-3). Modulo addressing is enabled for X data space when XWM is set to any value other than 15 and the XMODEN bit is set at MODCON<15>.

The Y Address Space Pointer W register (YWM) to which modulo addressing is to be applied, is stored in MODCON<7:4>. Modulo addressing is enabled for Y data space when YWM is set to any value other than 15 and the YMODEN bit is set at MODCON<14>.

dsPIC30F1010/202X

FIGURE 4-1: MODULO ADDRESSING OPERATION EXAMPLE



4.2.3 MODULO ADDRESSING APPLICABILITY

Modulo addressing can be applied to the Effective Address (EA) calculation associated with any W register. It is important to realize that the address boundaries check for addresses less than or greater than the upper (for incrementing buffers) and lower (for decrementing buffers) boundary addresses (not just equal to). Address changes may, therefore, jump beyond boundaries and still be adjusted correctly.

Note: The modulo corrected effective address is written back to the register only when Pre-Modify or Post-Modify Addressing mode is used to compute the Effective Address. When an address offset (e.g., [W7 + W2]) is used, modulo address correction is performed, but the contents of the register remains unchanged.

4.3 Bit-Reversed Addressing

Bit-Reversed Addressing is intended to simplify data re-ordering for radix-2 FFT algorithms. It is supported by the X AGU for data writes only.

The modifier, which may be a constant value or register contents, is regarded as having its bit order reversed. The address source and destination are kept in normal order. Thus, the only operand requiring reversal is the modifier.

4.3.1 BIT-REVERSED ADDRESSING IMPLEMENTATION

Bit-Reversed Addressing is enabled when:

1. BWM (W register selection) in the MODCON register is any value other than 15 (the stack can not be accessed using Bit-Reversed Addressing) **and**
2. the BREN bit is set in the XBREV register **and**
3. the Addressing mode used is Register Indirect with Pre-Increment or Post-Increment.

If the length of a bit-reversed buffer is $M = 2^N$ bytes, then the last 'N' bits of the data buffer start address must be zeros.

XB<14:0> is the bit-reversed address modifier or 'pivot point' which is typically a constant. In the case of an FFT computation, its value is equal to half of the FFT data buffer size.

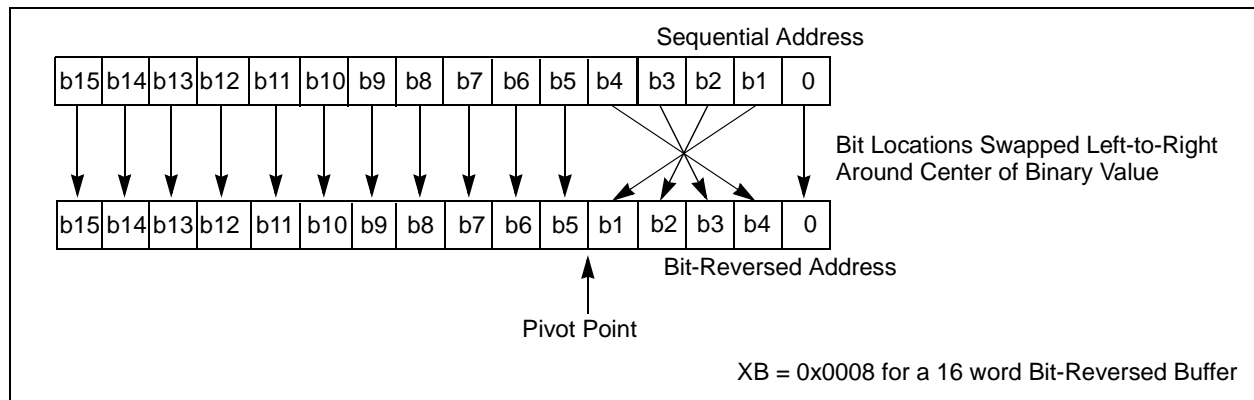
Note: All Bit-Reversed EA calculations assume word sized data (LSb of every EA is always clear). The XB value is scaled accordingly to generate compatible (byte) addresses.

When enabled, Bit-Reversed Addressing will only be executed for register indirect with pre-increment or post-increment addressing and word sized data writes. It will not function for any other Addressing mode or for byte sized data, and normal addresses will be generated instead. When Bit-Reversed Addressing is active, the W Address Pointer will always be added to the address modifier (XB) and the offset associated with the register Indirect Addressing mode will be ignored. In addition, as word sized data is a requirement, the LSb of the EA is ignored (and always clear).

Note: Modulo addressing and Bit-Reversed Addressing should not be enabled together. In the event that the user attempts to do this, Bit-Reversed Addressing will assume priority when active for the X WAGU, and X WAGU modulo addressing will be disabled. However, modulo addressing will continue to function in the X RAGU.

If Bit-Reversed Addressing has already been enabled by setting the BREN (XBREV<15>) bit, then a write to the XBREV register should not be immediately followed by an indirect read operation using the W register that has been designated as the bit-reversed pointer.

FIGURE 4-2: BIT-REVERSED ADDRESS EXAMPLE



dsPIC30F1010/202X

TABLE 4-2: BIT-REVERSED ADDRESS SEQUENCE (16-ENTRY)

| Normal Address | | | | | Bit-Reversed Address | | | | |
|----------------|----|----|----|---------|----------------------|----|----|----|---------|
| A3 | A2 | A1 | A0 | Decimal | A3 | A2 | A1 | A0 | Decimal |
| 0 | 0 | 0 | 0 | 0 | 0 | 0 | 0 | 0 | 0 |
| 0 | 0 | 0 | 1 | 1 | 1 | 0 | 0 | 0 | 8 |
| 0 | 0 | 1 | 0 | 2 | 0 | 1 | 0 | 0 | 4 |
| 0 | 0 | 1 | 1 | 3 | 1 | 1 | 0 | 0 | 12 |
| 0 | 1 | 0 | 0 | 4 | 0 | 0 | 1 | 0 | 2 |
| 0 | 1 | 0 | 1 | 5 | 1 | 0 | 1 | 0 | 10 |
| 0 | 1 | 1 | 0 | 6 | 0 | 1 | 1 | 0 | 6 |
| 0 | 1 | 1 | 1 | 7 | 1 | 1 | 1 | 0 | 14 |
| 1 | 0 | 0 | 0 | 8 | 0 | 0 | 0 | 1 | 1 |
| 1 | 0 | 0 | 1 | 9 | 1 | 0 | 0 | 1 | 9 |
| 1 | 0 | 1 | 0 | 10 | 0 | 1 | 0 | 1 | 5 |
| 1 | 0 | 1 | 1 | 11 | 1 | 1 | 0 | 1 | 13 |
| 1 | 1 | 0 | 0 | 12 | 0 | 0 | 1 | 1 | 3 |
| 1 | 1 | 0 | 1 | 13 | 1 | 0 | 1 | 1 | 11 |
| 1 | 1 | 1 | 0 | 14 | 0 | 1 | 1 | 1 | 7 |
| 1 | 1 | 1 | 1 | 15 | 1 | 1 | 1 | 1 | 15 |

TABLE 4-3: BIT-REVERSED ADDRESS MODIFIER VALUES FOR XBREV REGISTER

| Buffer Size (Words) | XB<14:0> Bit-Reversed Address Modifier Value ⁽¹⁾ |
|---------------------|---|
| 32768 | 0x4000 |
| 16384 | 0x2000 |
| 8192 | 0x1000 |
| 4096 | 0x0800 |
| 2048 | 0x0400 |
| 1024 | 0x0200 |
| 512 | 0x0100 |
| 256 | 0x0080 |
| 128 | 0x0040 |
| 64 | 0x0020 |
| 32 | 0x0010 |
| 16 | 0x0008 |
| 8 | 0x0004 |
| 4 | 0x0002 |
| 2 | 0x0001 |

Note 1: Modifier values greater than 256 words exceed the data memory available on the dsPIC30F1010/202X device

5.0 INTERRUPTS

Note: This data sheet summarizes features of this group of dsPIC30F devices and is not intended to be a complete reference source. For more information on the CPU, peripherals, register descriptions and general device functionality, refer to the “dsPIC30F Family Reference Manual” (DS70046). For more information on the device instruction set and programming, refer to the “dsPIC30F/33F Programmer’s Reference Manual” (DS70157).

The dsPIC30F1010/202X device has up to 35 interrupt sources and 4 processor exceptions (traps), which must be arbitrated based on a priority scheme.

The CPU is responsible for reading the Interrupt Vector Table (IVT) and transferring the address contained in the interrupt vector to the Program Counter (PC). The interrupt vector is transferred from the program data bus into the Program Counter, via a 24-bit wide multiplexer on the input of the Program Counter.

The Interrupt Vector Table and Alternate Interrupt Vector Table (AIVT) are placed near the beginning of program memory (0x000004). The IVT and AIVT are shown in Figure 5-1.

The interrupt controller is responsible for pre-processing the interrupts and processor exceptions, prior to their being presented to the processor core. The peripheral interrupts and traps are enabled, prioritized and controlled using centralized special function registers:

- IFS0<15:0>, IFS1<15:0>, IFS2<15:0>
All interrupt request flags are maintained in these three registers. The flags are set by their respective peripherals or external signals, and they are cleared via software.
- IEC0<15:0>, IEC1<15:0>, IEC2<15:0>
All interrupt enable control bits are maintained in these three registers. These control bits are used to individually enable interrupts from the peripherals or external signals.
- IPC0<15:0>... IPC11<7:0>
The user-assignable priority level associated with each of these interrupts is held centrally in these twelve registers.
- IPL<3:0> The current CPU priority level is explicitly stored in the IPL bits. IPL<3> is present in the CORCON register, whereas IPL<2:0> are present in the STATUS Register (SR) in the processor core.
- INTCON1<15:0>, INTCON2<15:0>
Global interrupt control functions are derived from these two registers. INTCON1 contains the control and status flags for the processor exceptions. The INTCON2 register controls the external interrupt request signal behavior and the use of the alternate vector table.

- The INTTREG register contains the associated interrupt vector number and the new CPU interrupt priority level, which are latched into vector number (VECNUM<6:0>) and Interrupt level (ILR<3:0>) bit fields in the INTTREG register. The new interrupt priority level is the priority of the pending interrupt.

Note: Interrupt flag bits get set when an Interrupt condition occurs, regardless of the state of its corresponding enable bit. User software should ensure the appropriate interrupt flag bits are clear prior to enabling an interrupt.

All interrupt sources can be user assigned to one of 7 priority levels, 1 through 7, via the IPCx registers. Each interrupt source is associated with an interrupt vector, as shown in Figure 5-1. Levels 7 and 1 represent the highest and lowest maskable priorities, respectively.

Note: Assigning a priority level of 0 to an interrupt source is equivalent to disabling that interrupt.

If the NSTDIS bit (INTCON1<15>) is set, nesting of interrupts is prevented. Thus, if an interrupt is currently being serviced, processing of a new interrupt is prevented, even if the new interrupt is of higher priority than the one currently being serviced.

Note: The IPL bits become read-only whenever the NSTDIS bit has been set to ‘1’.

Certain interrupts have specialized control bits for features like edge or level triggered interrupts, interrupt-on-change, etc. Control of these features remains within the peripheral module that generates the interrupt.

The DISI instruction can be used to disable the processing of interrupts of priorities 6 and lower for a certain number of instructions, during which the DISI bit (INTCON2<14>) remains set.

When an interrupt is serviced, the PC is loaded with the address stored in the vector location in Program Memory that corresponds to the interrupt. There are 63 different vectors within the IVT (refer to Figure 5-1). These vectors are contained in locations 0x000004 through 0x0000FE of program memory (refer to Figure 5-1). These locations contain 24-bit addresses, and, in order to preserve robustness, an address error trap will take place should the PC attempt to fetch any of these words during normal execution. This prevents execution of random data as a result of accidentally decrementing a PC into vector space, accidentally mapping a data space address into vector space, or the PC rolling over to 0x000000 after reaching the end of implemented program memory space. Execution of a GOTO instruction to this vector space will also generate an address error trap.

dsPIC30F1010/202X

5.1 Interrupt Priority

The user-assignable Interrupt Priority (IP<2:0>) bits for each individual interrupt source are located in the Least Significant 3 bits of each nibble, within the IPCx register(s). Bit 3 of each nibble is not used and is read as a '0'. These bits define the priority level assigned to a particular interrupt by the user.

Note: The user selectable priority levels start at 0, as the lowest priority, and level 7, as the highest priority.

Since more than one interrupt request source may be assigned to a specific user specified priority level, a means is provided to assign priority within a given level. This method is called "Natural Order Priority" and is final.

Natural order priority is determined by the position of an interrupt in the vector table, and only affects interrupt operation when multiple interrupts with the same user-assigned priority become pending at the same time.

Table 5-1 lists the interrupt numbers and interrupt sources for the dsPIC DSC devices and their associated vector numbers.

Note 1: The natural order priority scheme has 0 as the highest priority and 53 as the lowest priority.

2: The natural order priority number is the same as the INT number.

The ability for the user to assign every interrupt to one of seven priority levels implies that the user can assign a very high overall priority level to an interrupt with a low natural order priority. The INT0 (external interrupt 0) may be assigned to priority level 1, thus giving it a very low effective priority.

TABLE 5-1: dsPIC30F1010/202X INTERRUPT VECTOR TABLE

| INT Number | Vector Number | Interrupt Source |
|--------------------------------|---------------|--------------------------------------|
| Highest Natural Order Priority | | |
| 0 | 8 | INT0 – External Interrupt 0 |
| 1 | 9 | IC1 – Input Capture 1 |
| 2 | 10 | OC1 – Output Compare 1 |
| 3 | 11 | T1 – Timer 1 |
| 4 | 12 | Reserved |
| 5 | 13 | OC2 – Output Compare 2 |
| 6 | 14 | T2 – Timer 2 |
| 7 | 15 | T3 – Timer 3 |
| 8 | 16 | SPI1 |
| 9 | 17 | U1RX – UART1 Receiver |
| 10 | 18 | U1TX – UART1 Transmitter |
| 11 | 19 | ADC – ADC Convert Done |
| 12 | 20 | NVM – NVM Write Complete |
| 13 | 21 | SI2C – I ² C™ Slave Event |
| 14 | 22 | MI2C – I ² C Master Event |
| 15 | 23 | Reserved |
| 16 | 24 | INT1 – External Interrupt 1 |
| 17 | 25 | INT2 – External Interrupt 2 |
| 18 | 26 | PWM Special Event Trigger |
| 19 | 27 | PWM Gen#1 |
| 20 | 28 | PWM Gen#2 |
| 21 | 29 | PWM Gen#3 |
| 22 | 30 | PWM Gen#4 |
| 23 | 31 | Reserved |
| 24 | 32 | Reserved |
| 25 | 33 | Reserved |
| 26 | 34 | Reserved |
| 27 | 35 | CN – Input Change Notification |
| 28 | 36 | Reserved |
| 29 | 37 | Analog Comparator 1 |
| 30 | 38 | Analog Comparator 2 |
| 31 | 39 | Analog Comparator 3 |
| 32 | 40 | Analog Comparator 4 |
| 33 | 41 | Reserved |
| 34 | 42 | Reserved |
| 35 | 43 | Reserved |
| 36 | 44 | Reserved |
| 37 | 45 | ADC Pair 0 Conversion Done |
| 38 | 46 | ADC Pair 1 Conversion Done |
| 39 | 47 | ADC Pair 2 Conversion Done |
| 40 | 48 | ADC Pair 3 Conversion Done |
| 41 | 49 | ADC Pair 4 Conversion Done |
| 42 | 50 | ADC Pair 5 Conversion Done |
| 43 | 51 | Reserved |
| 44 | 52 | Reserved |
| 45-53 | 53-61 | Reserved |
| Lowest Natural Order Priority | | |

5.2 Reset Sequence

A Reset is not a true exception, because the interrupt controller is not involved in the Reset process. The processor initializes its registers in response to a Reset, which forces the PC to zero. The processor then begins program execution at location 0x000000. A `GOTO` instruction is stored in the first program memory location, immediately followed by the address target for the `GOTO` instruction. The processor executes the `GOTO` to the specified address and then begins operation at the specified target (start) address.

5.2.1 RESET SOURCES

In addition to External Reset and Power-on Reset (POR), there are 6 sources of error conditions which 'trap' to the Reset vector.

- **Watchdog Time-out:**
The watchdog has timed out, indicating that the processor is no longer executing the correct flow of code.
- **Uninitialized W Register Trap:**
An attempt to use an uninitialized W register as an Address Pointer will cause a Reset.
- **Illegal Instruction Trap:**
Attempted execution of any unused opcodes will result in an illegal instruction trap. Note that a fetch of an illegal instruction does not result in an illegal instruction trap if that instruction is flushed prior to execution due to a flow change.
- **Trap Lockout:**
Occurrence of multiple Trap conditions simultaneously will cause a Reset.

5.3 Traps

Traps can be considered as non-maskable interrupts indicating a software or hardware error, which adhere to a predefined priority as shown in Figure 5-1. They are intended to provide the user a means to correct erroneous operation during debug and when operating within the application.

Note: If the user does not intend to take corrective action in the event of a Trap Error condition, these vectors must be loaded with the address of a default handler that simply contains the `RESET` instruction. If, on the other hand, one of the vectors containing an invalid address is called, an address error trap is generated.

Note that many of these trap conditions can only be detected when they occur. Consequently, the questionable instruction is allowed to complete prior to trap exception processing. If the user chooses to recover from the error, the result of the erroneous action that caused the trap may have to be corrected.

There are 8 fixed priority levels for traps: Level 8 through Level 15, which implies that the IPL3 is always set during processing of a trap.

If the user is not currently executing a trap, and he sets the IPL<3:0> bits to a value of '0111' (Level 7), then all interrupts are disabled, but traps can still be processed.

5.3.1 TRAP SOURCES

The following traps are provided with increasing priority. However, since all traps can be nested, priority has little effect.

Math Error Trap:

The Math Error trap executes under the following four circumstances:

1. Should an attempt be made to divide by zero, the divide operation will be aborted on a cycle boundary and the trap taken.
2. If enabled, a Math Error trap will be taken when an arithmetic operation on either accumulator A or B causes an overflow from bit 31 and the accumulator guard bits are not utilized.
3. If enabled, a Math Error trap will be taken when an arithmetic operation on either accumulator A or B causes a catastrophic overflow from bit 39 and all saturation is disabled.
4. If the shift amount specified in a shift instruction is greater than the maximum allowed shift amount, a trap will occur.

dsPIC30F1010/202X

Address Error Trap:

This trap is initiated when any of the following circumstances occurs:

1. A misaligned data word access is attempted.
2. A data fetch from our unimplemented data memory location is attempted.
3. A data access of an unimplemented program memory location is attempted.
4. An instruction fetch from vector space is attempted.

Note: In the MAC class of instructions, wherein the data space is split into X and Y data space, unimplemented X space includes all of Y space, and unimplemented Y space includes all of X space.

5. Execution of a "BRA #literal" instruction or a "GOTO #literal" instruction, where *literal* is an unimplemented program memory address.
6. Executing instructions after modifying the PC to point to unimplemented program memory addresses. The PC may be modified by loading a value into the stack and executing a RETURN instruction.

Stack Error Trap:

This trap is initiated under the following conditions:

1. The Stack Pointer is loaded with a value which is greater than the (user-programmable) limit value written into the SPLIM register (stack overflow).
2. The Stack Pointer is loaded with a value which is less than 0x0800 (simple stack underflow).

Oscillator Fail Trap:

This trap is initiated if the external oscillator fails and operation becomes reliant on an internal RC backup.

5.3.2 HARD AND SOFT TRAPS

It is possible that multiple traps can become active within the same cycle (e.g., a misaligned word stack write to an overflowed address). In such a case, the fixed priority shown in Figure 5-1 is implemented, which may require the user to check if other traps are pending, in order to completely correct the fault.

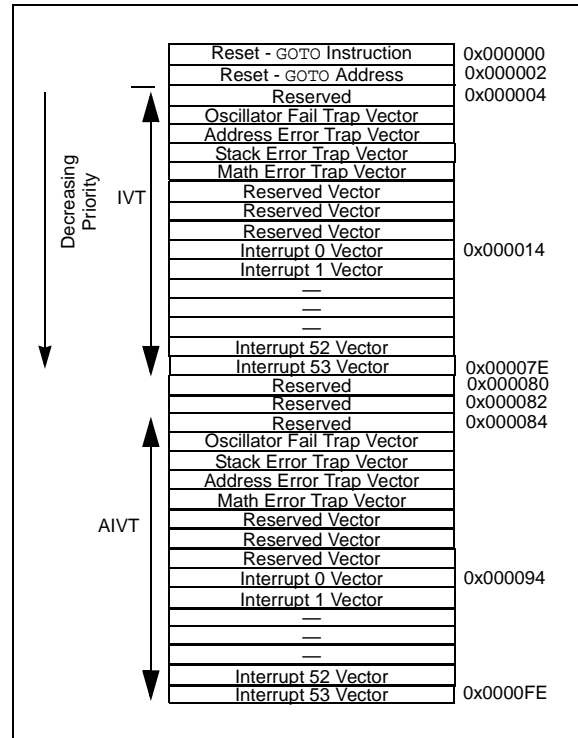
'Soft' traps include exceptions of priority level 8 through level 11, inclusive. The arithmetic error trap (level 11) falls into this category of traps.

'Hard' traps include exceptions of priority level 12 through level 15, inclusive. The address error (level 12), stack error (level 13) and oscillator error (level 14) traps fall into this category.

Each hard trap that occurs must be acknowledged before code execution of any type may continue. If a lower priority hard trap occurs while a higher priority trap is pending, acknowledged, or is being processed, a hard trap conflict will occur.

The device is automatically Reset in a hard trap conflict condition. The TRAPR Status bit (RCON<15>) is set when the Reset occurs, so that the condition may be detected in software.

FIGURE 5-1: TRAP VECTORS



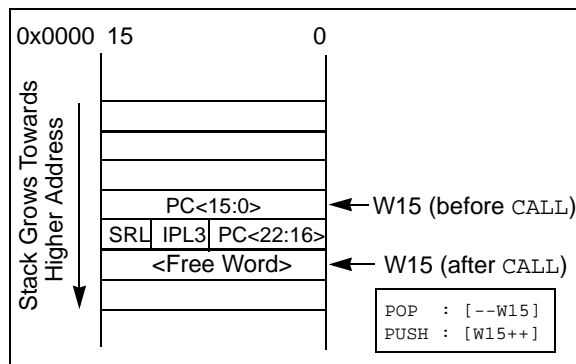
5.4 Interrupt Sequence

All interrupt event flags are sampled in the beginning of each instruction cycle by the IFSx registers. A pending interrupt request (IRQ) is indicated by the flag bit being equal to a '1' in an IFSx register. The IRQ will cause an interrupt to occur if the corresponding bit in the interrupt enable (IECx) register is set. For the remainder of the instruction cycle, the priorities of all pending interrupt requests are evaluated.

If there is a pending IRQ with a priority level greater than the current processor priority level in the IPL bits, the processor will be interrupted.

The processor then stacks the current Program Counter and the low byte of the processor STATUS Register (SRL), as shown in Figure 5-2. The low byte of the STATUS register contains the processor priority level at the time, prior to the beginning of the interrupt cycle. The processor then loads the priority level for this interrupt into the STATUS register. This action will disable all lower priority interrupts until the completion of the Interrupt Service Routine (ISR).

FIGURE 5-2: INTERRUPT STACK FRAME



Note 1: The user can always lower the priority level by writing a new value into SR. The Interrupt Service Routine must clear the interrupt flag bits in the IFSx register before lowering the processor interrupt priority, in order to avoid recursive interrupts.

2: The IPL3 bit (CORCON<3>) is always clear when interrupts are being processed. It is set only during execution of traps.

The RETFIE (Return from Interrupt) instruction will unstack the Program Counter and status registers to return the processor to its state prior to the interrupt sequence.

5.5 Alternate Vector Table

In Program Memory, the IVT is followed by the AIVT, as shown in Figure 5-1. Access to the Alternate Vector Table is provided by the ALTIPT bit in the INTCON2 register. If the ALTIPT bit is set, all interrupt and exception processes will use the alternate vectors instead of the default vectors. The alternate vectors are organized in the same manner as the default vectors. The AIVT supports emulation and debugging efforts by providing a means to switch between an application and a support environment, without requiring the interrupt vectors to be reprogrammed. This feature also enables switching between applications for evaluation of different software algorithms at run time.

If the AIVT is not required, the program memory allocated to the AIVT may be used for other purposes. AIVT is not a protected section and may be freely programmed by the user.

5.6 Fast Context Saving

A context saving option is available using shadow registers. Shadow registers are provided for the DC, N, OV, Z and C bits in SR, and the registers W0 through W3. The shadows are only one level deep. The shadow registers are accessible using the PUSH.S and POP.S instructions only.

When the processor vectors to an interrupt, the PUSH.S instruction can be used to store the current value of the aforementioned registers into their respective shadow registers.

If an ISR of a certain priority uses the PUSH.S and POP.S instructions for fast context saving, then a higher priority ISR should not include the same instructions. Users must save the key registers in software during a lower priority interrupt, if the higher priority ISR uses fast context saving.

5.7 External Interrupt Requests

The interrupt controller supports three external interrupt request signals, INT0-INT2. These inputs are edge sensitive; they require a low-to-high or a high-to-low transition to generate an interrupt request. The INTCON2 register has three bits, INT0EP-INT2EP, that select the polarity of the edge detection circuitry.

5.8 Wake-up from Sleep and Idle

The interrupt controller may be used to wake-up the processor from either Sleep or Idle modes, if Sleep or Idle mode is active when the interrupt is generated.

If an enabled interrupt request of sufficient priority is received by the interrupt controller, then the standard interrupt request is presented to the processor. At the same time, the processor will wake-up from Sleep or Idle and begin execution of the Interrupt Service Routine needed to process the interrupt request.

dsPIC30F1010/202X

REGISTER 5-1: INTCON1: INTERRUPT CONTROL REGISTER 1

| | | | | | | | |
|--------|--------|--------|---------|---------|-------|-------|-------|
| R/W-0 | R/W-0 | R/W-0 | R/W-0 | R/W-0 | R/W-0 | R/W-0 | R/W-0 |
| NSTDIS | OVAERR | OVBERR | COVAERR | COVBERR | OVATE | OVBTE | COVTE |
| bit 15 | | | | | | | bit 8 |

| | | | | | | | |
|----------|---------|-----|---------|---------|--------|---------|-------|
| R/W-0 | R/W-0 | U-0 | R/W-0 | R/W-0 | R/W-0 | R/W-0 | U-0 |
| SFTACERR | DIV0ERR | — | MATHERR | ADDRERR | STKERR | OSCFAIL | — |
| bit 7 | | | | | | | bit 0 |

Legend:

| | | |
|-------------------|------------------|------------------------------------|
| R = Readable bit | W = Writable bit | U = Unimplemented bit, read as '0' |
| -n = Value at POR | '1' = Bit is set | '0' = Bit is cleared |
| | | x = Bit is unknown |

- bit 15 **NSTDIS:** Interrupt Nesting Disable bit
1 = Interrupt nesting is disabled
0 = Interrupt nesting is enabled
- bit 14 **OVAERR:** Accumulator A Overflow Trap Flag bit
1 = Trap was caused by overflow of Accumulator A
0 = Trap was not caused by overflow of Accumulator A
- bit 13 **OVBERR:** Accumulator B Overflow Trap Flag bit
1 = Trap was caused by overflow of Accumulator B
0 = Trap was not caused by overflow of Accumulator B
- bit 12 **COVAERR:** Accumulator A Catastrophic Overflow Trap Enable bit
1 = Trap was caused by catastrophic overflow of Accumulator A
0 = Trap was not caused by catastrophic overflow of Accumulator A
- bit 11 **COVBERR:** Accumulator B Catastrophic Overflow Trap Enable bit
1 = Trap was caused by catastrophic overflow of Accumulator B
0 = Trap was not caused by catastrophic overflow of Accumulator B
- bit 10 **OVATE:** Accumulator A Overflow Trap Enable bit
1 = Trap overflow of Accumulator A
0 = Trap disabled
- bit 9 **OVBTE:** Accumulator B Overflow Trap Enable bit
1 = Trap overflow of Accumulator B
0 = Trap disabled
- bit 8 **COVTE:** Catastrophic Overflow Trap Enable bit
1 = Trap on catastrophic overflow of Accumulator A or B enabled
0 = Trap disabled
- bit 7 **SFTACERR:** Shift Accumulator Error Status bit
1 = Math error trap was caused by an invalid accumulator shift
0 = Math error trap was not caused by an invalid accumulator shift
- bit 6 **DIV0ERR:** Arithmetic Error Status bit
1 = Math error trap was caused by a divided by zero
0 = Math error trap was not caused by an invalid accumulator shift
- bit 5 **Unimplemented:** Read as '0'
- bit 4 **MATHERR:** Arithmetic Error Status bit
1 = Overflow trap has occurred
0 = Overflow trap has not occurred
- bit 3 **ADDRERR:** Address Error Trap Status bit
1 = Address error trap has occurred
0 = Address error trap has not occurred

REGISTER 5-1: INTCON1: INTERRUPT CONTROL REGISTER 1 (CONTINUED)

- bit 2 **STKERR:** Stack Error Trap Status bit
 1 = Stack error trap has occurred
 0 = Stack error trap has not occurred
- bit 1 **OSCFAIL:** Oscillator Failure Trap Status bit
 1 = Oscillator failure trap has occurred
 0 = Oscillator failure trap has not occurred
- bit 0 **Unimplemented:** Read as '0'

dsPIC30F1010/202X

REGISTER 5-2: INTCON2: INTERRUPT CONTROL REGISTER 2

| | | | | | | | |
|--------|------|-----|-----|-----|-----|-----|-------|
| R/W-0 | R-0 | U-0 | U-0 | U-0 | U-0 | U-0 | U-0 |
| ALTIVT | DISI | — | — | — | — | — | — |
| bit 15 | | | | | | | bit 8 |

| | | | | | | | |
|-------|-----|-----|-----|-----|--------|--------|--------|
| U-0 | U-0 | U-0 | U-0 | U-0 | R/W-0 | R/W-0 | R/W-0 |
| — | — | — | — | — | INT2EP | INT1EP | INT0EP |
| bit 7 | | | | | | bit 0 | |

Legend:

| | | |
|-------------------|------------------|------------------------------------|
| R = Readable bit | W = Writable bit | U = Unimplemented bit, read as '0' |
| -n = Value at POR | '1' = Bit is set | '0' = Bit is cleared |
| | | x = Bit is unknown |

- bit 15 **ALTIVT:** Enable Alternate Interrupt Vector Table bit
 1 = Use alternate vector table
 0 = Use standard (default) vector table
- bit 14 **DISI:** DISI Instruction Status bit
 1 = DISI instruction is active
 0 = DISI instruction is not active
- bit 13-3 **Unimplemented:** Read as '0'
- bit 2 **INT2EP:** External Interrupt 2 Edge Detect Polarity Select bit
 1 = Interrupt on negative edge
 0 = Interrupt on positive edge
- bit 1 **INT1EP:** External Interrupt 1 Edge Detect Polarity Select bit
 1 = Interrupt on negative edge
 0 = Interrupt on positive edge
- bit 0 **INT0EP:** External Interrupt 0 Edge Detect Polarity Select bit
 1 = Interrupt on negative edge
 0 = Interrupt on positive edge

REGISTER 5-3: IFS0: INTERRUPT FLAG STATUS REGISTER 0

| | | | | | | | |
|--------|--------|--------|-------|-------|--------|--------|--------|
| U-0 | R/W-0 | R/W-0 | R/W-0 | R/W-0 | R/W-0 | R/W-0 | R/W-0 |
| — | MI2CIF | SI2CIF | NVMIF | ADIF | U1TXIF | U1RXIF | SPI1IF |
| bit 15 | | | | | | | bit 8 |

| | | | | | | | |
|-------|-------|-------|-----|-------|-------|-------|--------|
| R/W-0 | R/W-0 | R/W-0 | U-0 | R/W-0 | R/W-0 | R/W-0 | R/W-0 |
| T3IF | T2IF | OC2IF | — | T1IF | OC1IF | IC1IF | INT0IF |
| bit 7 | | | | | | | bit 0 |

Legend:

R = Readable bit W = Writable bit U = Unimplemented bit, read as '0'
 -n = Value at POR '1' = Bit is set '0' = Bit is cleared x = Bit is unknown

- bit 15 **Unimplemented:** Read as '0'
- bit 14 **MI2CIF:** I²C Master Events Interrupt Flag Status bit
 1 = Interrupt request has occurred
 0 = Interrupt request has not occurred
- bit 13 **SI2CIF:** I²C Slave Events Interrupt Flag Status bit
 1 = Interrupt request has occurred
 0 = Interrupt request has not occurred
- bit 12 **NVMIF:** Nonvolatile Memory Interrupt Flag Status bit
 1 = Interrupt request has occurred
 0 = Interrupt request has not occurred
- bit 11 **ADIF:** ADC Conversion Complete Interrupt Flag Status bit
 1 = Interrupt request has occurred
 0 = Interrupt request has not occurred
- bit 10 **U1TXIF:** UART1 Transmitter Interrupt Flag Status bit
 1 = Interrupt request has occurred
 0 = Interrupt request has not occurred
- bit 9 **U1RXIF:** UART1 Receiver Interrupt Flag Status bit
 1 = Interrupt request has occurred
 0 = Interrupt request has not occurred
- bit 8 **SPI1IF:** SPI1 Event Interrupt Flag Status bit
 1 = Interrupt request has occurred
 0 = Interrupt request has not occurred
- bit 7 **T3IF:** Timer3 Interrupt Flag Status bit
 1 = Interrupt request has occurred
 0 = Interrupt request has not occurred
- bit 6 **T2IF:** Timer2 Interrupt Flag Status bit
 1 = Interrupt request has occurred
 0 = Interrupt request has not occurred
- bit 5 **OC2IF:** Output Compare Channel 2 Interrupt Flag Status bit
 1 = Interrupt request has occurred
 0 = Interrupt request has not occurred
- bit 4 **Unimplemented:** Read as '0'
- bit 3 **T1IF:** Timer1 Interrupt Flag Status bit
 1 = Interrupt request has occurred
 0 = Interrupt request has not occurred

dsPIC30F1010/202X

REGISTER 5-3: IFS0: INTERRUPT FLAG STATUS REGISTER 0 (CONTINUED)

- bit 2 **OC1IF:** Output Compare Channel 1 Interrupt Flag Status bit
1 = Interrupt request has occurred
0 = Interrupt request has not occurred
- bit 1 **IC1IF:** Input Capture Channel 1 Interrupt Flag Status bit
1 = Interrupt request has occurred
0 = Interrupt request has not occurred
- bit 0 **INT0IF:** External Interrupt 0 Flag Status bit
1 = Interrupt request has occurred
0 = Interrupt request has not occurred

REGISTER 5-4: IFS1: INTERRUPT FLAG STATUS REGISTER 1

| | | | | | | | |
|--------|-------|-------|-----|-------|-----|-----|-------|
| R/W-0 | R/W-0 | R/W-0 | U-0 | R/W-0 | U-0 | U-0 | U-0 |
| AC3IF | AC2IF | AC1IF | — | CNIF | — | — | — |
| bit 15 | | | | | | | bit 8 |

| | | | | | | | |
|-------|--------|--------|--------|--------|--------|--------|--------|
| U-0 | R/W-0 | R/W-0 | R/W-0 | R/W-0 | R/W-0 | R/W-0 | R/W-0 |
| — | PWM4IF | PWM3IF | PWM2IF | PWM1IF | PSEMIF | INT2IF | INT1IF |
| bit 7 | | | | | | | bit 0 |

Legend:

| | | |
|-------------------|------------------|------------------------------------|
| R = Readable bit | W = Writable bit | U = Unimplemented bit, read as '0' |
| -n = Value at POR | '1' = Bit is set | '0' = Bit is cleared |
| | | x = Bit is unknown |

- bit 15 **AC3IF:** Analog Comparator #3 Interrupt Flag Status bit
1 = Interrupt request has occurred
0 = Interrupt request has not occurred
- bit 14 **AC2IF:** Analog Comparator #2 Interrupt Flag Status bit
1 = Interrupt request has occurred
0 = Interrupt request has not occurred
- bit 13 **AC1IF:** Analog Comparator #1 Interrupt Flag Status bit
1 = Interrupt request has occurred
0 = Interrupt request has not occurred
- bit 12 **Unimplemented:** Read as '0'
- bit 11 **CNIF:** Input Change Notification Interrupt Flag Status bit
1 = Interrupt request has occurred
0 = Interrupt request has not occurred
- bit 10-7 **Unimplemented:** Read as '0'
- bit 6 **PWM4IF:** Pulse Width Modulation Generator #4 Interrupt Flag Status bit
1 = Interrupt request has occurred
0 = Interrupt request has not occurred
- bit 5 **PWM3IF:** Pulse Width Modulation Generator #3 Interrupt Flag Status bit
1 = Interrupt request has occurred
0 = Interrupt request has not occurred
- bit 4 **PWM2IF:** Pulse Width Modulation Generator #2 Interrupt Flag Status bit
1 = Interrupt request has occurred
0 = Interrupt request has not occurred
- bit 3 **PWM1IF:** Pulse Width Modulation Generator #1 Interrupt Flag Status bit
1 = Interrupt request has occurred
0 = Interrupt request has not occurred
- bit 2 **PSEMIF:** PWM Special Event Match Interrupt Flag Status bit
1 = Interrupt request has occurred
0 = Interrupt request has not occurred
- bit 1 **INT2IF:** External Interrupt 2 Flag Status bit
1 = Interrupt request has occurred
0 = Interrupt request has not occurred
- bit 0 **INT1IF:** External Interrupt 1 Flag Status bit
1 = Interrupt request has occurred
0 = Interrupt request has not occurred

dsPIC30F1010/202X

REGISTER 5-5: IFS2: INTERRUPT FLAG STATUS REGISTER 2

| | | | | | | | |
|--------|-----|-----|-----|-----|---------|---------|---------|
| U-0 | U-0 | U-0 | U-0 | U-0 | R/W-0 | R/W-00 | R/W-0 |
| — | — | — | — | — | ADCP5IF | ADCP4IF | ADCP3IF |
| bit 15 | | | | | | bit 8 | |

| | | | | | | | |
|---------|---------|---------|-----|-----|-----|-------|-------|
| R/W-0 | R/W-0 | R/W-0 | U-0 | U-0 | U-0 | U-0 | R/W-0 |
| ADCP2IF | ADCP1IF | ADCP0IF | — | — | — | — | AC4IF |
| bit 7 | | | | | | bit 0 | |

Legend:

| | | |
|-------------------|------------------|------------------------------------|
| R = Readable bit | W = Writable bit | U = Unimplemented bit, read as '0' |
| -n = Value at POR | '1' = Bit is set | '0' = Bit is cleared |
| | | x = Bit is unknown |

- bit 15-11 **Unimplemented:** Read as '0'
- bit 10 **ADCP5IF:** ADC Pair 5 Conversion Done Interrupt Flag Status bit
1 = Interrupt request has occurred
0 = Interrupt request has not occurred
- bit 9 **ADCP4IF:** ADC Pair 4 Conversion Done Interrupt Flag Status bit
1 = Interrupt request has occurred
0 = Interrupt request has not occurred
- bit 8 **ADCP3IF:** ADC Pair 3 Conversion Done Interrupt Flag Status bit
1 = Interrupt request has occurred
0 = Interrupt request has not occurred
- bit 7 **ADCP2IF:** ADC Pair 2 Conversion Done Interrupt Flag Status bit
1 = Interrupt request has occurred
0 = Interrupt request has not occurred
- bit 6 **ADCP1IF:** ADC Pair 1 Conversion Done Interrupt Flag Status bit
1 = Interrupt request has occurred
0 = Interrupt request has not occurred
- bit 5 **ADCP0IF:** ADC Pair 0 Conversion Done Interrupt Flag Status bit
1 = Interrupt request has occurred
0 = Interrupt request has not occurred
- bit 4-1 **Unimplemented:** Read as '0'
- bit 0 **AC4IF:** Analog Comparator #4 Interrupt Flag Status bit
1 = Interrupt request has occurred
0 = Interrupt request has not occurred

REGISTER 5-6: IEC0: INTERRUPT ENABLE CONTROL REGISTER 0

| | | | | | | | |
|--------|--------|--------|-------|-------|--------|--------|--------|
| U-0 | R/W-0 | R/W-0 | R/W-0 | R/W-0 | R/W-0 | R/W-0 | R/W-0 |
| — | MI2CIE | SI2CIE | NVMIE | ADIE | U1TXIE | U1RXIE | SPI1IE |
| bit 15 | | | | | | | bit 8 |

| | | | | | | | |
|-------|-------|-------|-----|-------|-------|-------|--------|
| R/W-0 | R/W-0 | R/W-0 | U-0 | R/W-0 | R/W-0 | R/W-0 | R/W-0 |
| T3IE | T2IE | OC2IE | — | T1IE | OC1IE | IC1IE | INT0IE |
| bit 7 | | | | | | | bit 0 |

Legend:

R = Readable bit W = Writable bit U = Unimplemented bit, read as '0'
 -n = Value at POR '1' = Bit is set '0' = Bit is cleared x = Bit is unknown

- bit 15 **Unimplemented:** Read as '0'
- bit 14 **MI2CIE:** I²C Master Events Interrupt Enable bit
 1 = Interrupt request enabled
 0 = Interrupt request not enabled
- bit 13 **SI2CIE:** I²C Slave Events Interrupt Enable bit
 1 = Interrupt request enabled
 0 = Interrupt request not enabled
- bit 12 **NVMIE:** Nonvolatile Memory Interrupt Enable bit
 1 = Interrupt request enabled
 0 = Interrupt request not enabled
- bit 11 **ADIE:** ADC Conversion Complete Interrupt Enable bit
 1 = Interrupt request enabled
 0 = Interrupt request not enabled
- bit 10 **U1TXIE:** UART1 Transmitter Interrupt Enable bit
 1 = Interrupt request enabled
 0 = Interrupt request not enabled
- bit 9 **U1RXIE:** UART1 Receiver Interrupt Enable bit
 1 = Interrupt request enabled
 0 = Interrupt request not enabled
- bit 8 **SPI1IE:** SPI1 Event Interrupt Enable bit
 1 = Interrupt request enabled
 0 = Interrupt request not enabled
- bit 7 **T3IE:** Timer3 Interrupt Enable bit
 1 = Interrupt request enabled
 0 = Interrupt request not enabled
- bit 6 **T2IE:** Timer2 Interrupt Enable bit
 1 = Interrupt request enabled
 0 = Interrupt request not enabled
- bit 5 **OC2IE:** Output Compare Channel 2 Interrupt Enable bit
 1 = Interrupt request enabled
 0 = Interrupt request not enabled
- bit 4 **Unimplemented:** Read as '0'
- bit 3 **T1IE:** Timer1 Interrupt Enable bit
 1 = Interrupt request enabled
 0 = Interrupt request not enabled

dsPIC30F1010/202X

REGISTER 5-6: IEC0: INTERRUPT ENABLE CONTROL REGISTER 0 (CONTINUED)

- bit 2 **OC1IE:** Output Compare Channel 1 Interrupt Enable bit
 1 = Interrupt request enabled
 0 = Interrupt request not enabled
- bit 1 **IC1IE:** Input Capture Channel 1 Interrupt Enable bit
 1 = Interrupt request enabled
 0 = Interrupt request not enabled
- bit 0 **INT0IE:** External Interrupt 0 Enable bit
 1 = Interrupt request enabled
 0 = Interrupt request not enabled

REGISTER 5-7: IEC1: INTERRUPT ENABLE CONTROL REGISTER 1

| | | | | | | | |
|--------|-------|-------|-----|-------|-----|-----|-------|
| R/W-0 | R/W-0 | R/W-0 | U-0 | R/W-0 | U-0 | U-0 | U-0 |
| AC3IE | AC2IE | AC1IE | — | CNIE | — | — | — |
| bit 15 | | | | | | | bit 8 |

| | | | | | | | |
|-------|--------|--------|--------|--------|--------|--------|--------|
| U-0 | R/W-0 | R/W-0 | R/W-0 | R/W-0 | R/W-0 | R/W-0 | R/W-0 |
| — | PWM4IE | PWM3IE | PWM2IE | PWM1IE | PSEMIE | INT2IE | INT1IE |
| bit 7 | | | | | | | bit 0 |

Legend:

| | | |
|-------------------|------------------|------------------------------------|
| R = Readable bit | W = Writable bit | U = Unimplemented bit, read as '0' |
| -n = Value at POR | '1' = Bit is set | '0' = Bit is cleared |
| | | x = Bit is unknown |

- bit 15 **AC3IE:** Analog Comparator #3 Interrupt Enable bit
1 = Interrupt request enabled
0 = Interrupt request not enabled
- bit 14 **AC2IE:** Analog Comparator #2 Interrupt Enable bit
1 = Interrupt request enabled
0 = Interrupt request not enabled
- bit 13 **AC1IE:** Analog Comparator #1 Interrupt Enable bit
1 = Interrupt request enabled
0 = Interrupt request not enabled
- bit 12 **Unimplemented:** Read as '0'
- bit 11 **CNIE:** Input Change Notification Interrupt Enable bit
1 = Interrupt request enabled
0 = Interrupt request not enabled
- bit 10-7 **Unimplemented:** Read as '0'
- bit 6 **PWM4IE:** Pulse Width Modulation Generator #4 Interrupt Enable bit
1 = Interrupt request enabled
0 = Interrupt request not enabled
- bit 5 **PWM3IE:** Pulse Width Modulation Generator #3 Interrupt Enable bit
1 = Interrupt request enabled
0 = Interrupt request not enabled
- bit 4 **PWM2IE:** Pulse Width Modulation Generator #2 Interrupt Enable bit
1 = Interrupt request enabled
0 = Interrupt request not enabled
- bit 3 **PWM1IE:** Pulse Width Modulation Generator #1 Interrupt Enable bit
1 = Interrupt request enabled
0 = Interrupt request not enabled
- bit 2 **PSEMIE:** PWM Special Event Match Interrupt Enable bit
1 = Interrupt request enabled
0 = Interrupt request not enabled
- bit 1 **INT2IE:** External Interrupt 2 Enable bit
1 = Interrupt request enabled
0 = Interrupt request not enabled
- bit 0 **INT1IE:** External Interrupt 1 Enable bit
1 = Interrupt request enabled
0 = Interrupt request not enabled

dsPIC30F1010/202X

REGISTER 5-8: IEC2: INTERRUPT ENABLE CONTROL REGISTER 2

| | | | | | | | |
|--------|-----|-----|-----|-----|---------|---------|---------|
| U-0 | U-0 | U-0 | U-0 | U-0 | R/W-0 | R/W-0 | R/W-0 |
| — | — | — | — | — | ADCP5IE | ADCP4IE | ADCP3IE |
| bit 15 | | | | | | | bit 8 |

| | | | | | | | |
|---------|---------|---------|-----|-----|-----|-----|-------|
| R/W-0 | R/W-0 | R/W-0 | U-0 | U-0 | U-0 | U-0 | R/W-0 |
| ADCP2IE | ADCP1IE | ADCP0IE | — | — | — | — | AC4IE |
| bit 7 | | | | | | | bit 0 |

Legend:

| | | |
|-------------------|------------------|------------------------------------|
| R = Readable bit | W = Writable bit | U = Unimplemented bit, read as '0' |
| -n = Value at POR | '1' = Bit is set | '0' = Bit is cleared |
| | | x = Bit is unknown |

- bit 15-11 **Unimplemented:** Read as '0'
- bit 10 **ADCP5IE:** ADC Pair 5 Conversion done Interrupt Enable bit
1 = Interrupt request enabled
0 = Interrupt request not enabled
- bit 9 **ADCP4IE:** ADC Pair 4 Conversion done Interrupt Enable bit
1 = Interrupt request enabled
0 = Interrupt request not enabled
- bit 8 **ADCP3IE:** ADC Pair 3 Conversion done Interrupt Enable bit
1 = Interrupt request enabled
0 = Interrupt request not enabled
- bit 7 **ADCP2IE:** ADC Pair 2 Conversion done Interrupt Enable bit
1 = Interrupt request enabled
0 = Interrupt request not enabled
- bit 6 **ADCP1IE:** ADC Pair 1 Conversion done Interrupt Enable bit
1 = Interrupt request enabled
0 = Interrupt request not enabled
- bit 5 **ADCP0IE:** ADC Pair 0 Conversion done Interrupt Enable bit
1 = Interrupt request enabled
0 = Interrupt request not enabled
- bit 4-1 **Unimplemented:** Read as '0'
- bit 0 **AC4IE:** Analog Comparator #4 Interrupt Enable bit
1 = Interrupt request enabled
0 = Interrupt request not enabled

REGISTER 5-9: IPC0: INTERRUPT PRIORITY CONTROL REGISTER 0

| | | | | | | | |
|--------|-----------|-------|-------|-------|------------|-------|-------|
| U-0 | R/W-1 | R/W-0 | R/W-0 | U-0 | R/W-1 | R/W-0 | R/W-0 |
| — | T1IP<2:0> | | | — | OC1IP<2:0> | | |
| bit 15 | | | | bit 8 | | | |

| | | | | | | | |
|-------|------------|-------|-------|-------|-------------|-------|-------|
| U-0 | R/W-1 | R/W-0 | R/W-0 | U-0 | R/W-1 | R/W-0 | R/W-0 |
| — | IC1IP<2:0> | | | — | INT0IP<2:0> | | |
| bit 7 | | | | bit 0 | | | |

| | | | |
|-------------------|------------------|------------------------------------|--------------------|
| Legend: | | | |
| R = Readable bit | W = Writable bit | U = Unimplemented bit, read as '0' | |
| -n = Value at POR | '1' = Bit is set | '0' = Bit is cleared | x = Bit is unknown |

- bit 15 **Unimplemented:** Read as '0'
- bit 14-12 **T1IP<2:0>:** Timer1 Interrupt Priority bits
 - 111 = Interrupt is priority 7 (highest priority interrupt)
 -
 -
 -
 - 001 = Interrupt is priority 1
 - 000 = Interrupt source is disabled
- bit 11 **Unimplemented:** Read as '0'
- bit 10-8 **OC1IP<2:0>:** Output Compare Channel 1 Interrupt Priority bits
 - 111 = Interrupt is priority 7 (highest priority interrupt)
 -
 -
 -
 - 001 = Interrupt is priority 1
 - 000 = Interrupt source is disabled
- bit 7 **Unimplemented:** Read as '0'
- bit 6-4 **IC1IP<2:0>:** Input Capture Channel 1 Interrupt Priority bits
 - 111 = Interrupt is priority 7 (highest priority interrupt)
 -
 -
 -
 - 001 = Interrupt is priority 1
 - 000 = Interrupt source is disabled
- bit 3 **Unimplemented:** Read as '0'
- bit 2-0 **INT0IP<2:0>:** External Interrupt 0 Priority bits
 - 111 = Interrupt is priority 7 (highest priority interrupt)
 -
 -
 -
 - 001 = Interrupt is priority 1
 - 000 = Interrupt source is disabled

dsPIC30F1010/202X

REGISTER 5-10: IPC1: INTERRUPT PRIORITY CONTROL REGISTER 1

| | | | | | | | |
|--------|-----------|-------|-------|-------|-----------|-------|-------|
| U-0 | R/W-1 | R/W-0 | R/W-0 | U-0 | R/W-1 | R/W-0 | R/W-0 |
| — | T3IP<2:0> | | | — | T2IP<2:0> | | |
| bit 15 | | | | bit 8 | | | |

| | | | | | | | |
|-------|------------|-------|-------|-------|-----|-----|-----|
| U-0 | R/W-1 | R/W-0 | R/W-0 | U-0 | U-0 | U-0 | U-0 |
| — | OC2IP<2:0> | | | — | — | — | — |
| bit 7 | | | | bit 0 | | | |

Legend:

| | | |
|-------------------|------------------|------------------------------------|
| R = Readable bit | W = Writable bit | U = Unimplemented bit, read as '0' |
| -n = Value at POR | '1' = Bit is set | '0' = Bit is cleared |
| | | x = Bit is unknown |

- bit 15 **Unimplemented:** Read as '0'
- bit 14-12 **T3IP<2:0>:** Timer3 Interrupt Priority bits
 - 111 = Interrupt is priority 7 (highest priority interrupt)
 -
 -
 -
 - 001 = Interrupt is priority 1
 - 000 = Interrupt source is disabled
- bit 11 **Unimplemented:** Read as '0'
- bit 10-8 **T2IP<2:0>:** Timer2 Interrupt Priority bits
 - 111 = Interrupt is priority 7 (highest priority interrupt)
 -
 -
 -
 - 001 = Interrupt is priority 1
 - 000 = Interrupt source is disabled
- bit 7 **Unimplemented:** Read as '0'
- bit 6-4 **OC2IP<2:0>:** Output Compare Channel 2 Interrupt Priority bits
 - 111 = Interrupt is priority 7 (highest priority interrupt)
 -
 -
 -
 - 001 = Interrupt is priority 1
 - 000 = Interrupt source is disabled
- bit 3-0 **Unimplemented:** Read as '0'

REGISTER 5-11: IPC2: INTERRUPT PRIORITY CONTROL REGISTER 2

| | | | | | | | |
|--------|-----------|-------|-------|-------|-------------|-------|-------|
| U-0 | R/W-1 | R/W-0 | R/W-0 | U-0 | R/W-1 | R/W-0 | R/W-0 |
| — | ADIP<2:0> | | | — | U1TXIP<2:0> | | |
| bit 15 | | | | bit 8 | | | |

| | | | | | | | |
|-------|-------------|-------|-------|-------|-------------|-------|-------|
| U-0 | R/W-1 | R/W-0 | R/W-0 | U-0 | R/W-1 | R/W-0 | R/W-0 |
| — | U1RXIP<2:0> | | | — | SPI1IP<2:0> | | |
| bit 7 | | | | bit 0 | | | |

Legend:

R = Readable bit W = Writable bit U = Unimplemented bit, read as '0'
 -n = Value at POR '1' = Bit is set '0' = Bit is cleared x = Bit is unknown

- bit 15 **Unimplemented:** Read as '0'
- bit 14-12 **ADIP<2:0>:** ADC Conversion Complete Interrupt Priority bits
 - 111 = Interrupt is priority 7 (highest priority interrupt)
 -
 -
 -
 - 001 = Interrupt is priority 1
 - 000 = Interrupt source is disabled
- bit 11 **Unimplemented:** Read as '0'
- bit 10-8 **U1TXIP<2:0>:** UART1 Transmitter Interrupt Priority bits
 - 111 = Interrupt is priority 7 (highest priority interrupt)
 -
 -
 -
 - 001 = Interrupt is priority 1
 - 000 = Interrupt source is disabled
- bit 7 **Unimplemented:** Read as '0'
- bit 6-4 **U1RXIP<2:0>:** UART1 Receiver Interrupt Priority bits
 - 111 = Interrupt is priority 7 (highest priority interrupt)
 -
 -
 -
 - 001 = Interrupt is priority 1
 - 000 = Interrupt source is disabled
- bit 3 **Unimplemented:** Read as '0'
- bit 2-0 **SPI1IP<2:0>:** SPI1 Event Interrupt Priority bits
 - 111 = Interrupt is priority 7 (highest priority interrupt)
 -
 -
 -
 - 001 = Interrupt is priority 1
 - 000 = Interrupt source is disabled

dsPIC30F1010/202X

REGISTER 5-12: IPC3: INTERRUPT PRIORITY CONTROL REGISTER 3

| | | | | | | | |
|--------|-----|-----|-----|-----|-------------|-------|-------|
| U-0 | U-0 | U-0 | U-0 | U-0 | R/W-1 | R/W-0 | R/W-0 |
| — | — | — | — | — | MI2CIP<2:0> | | |
| bit 15 | | | | | bit 8 | | |

| | | | | | | | |
|-------|-------------|-------|-------|-----|------------|-------|-------|
| U-0 | R/W-1 | R/W-0 | R/W-0 | U-0 | R/W-1 | R/W-0 | R/W-0 |
| — | SI2CIP<2:0> | | | — | NVMIP<2:0> | | |
| bit 7 | | | | | bit 0 | | |

Legend:

| | | |
|-------------------|------------------|------------------------------------|
| R = Readable bit | W = Writable bit | U = Unimplemented bit, read as '0' |
| -n = Value at POR | '1' = Bit is set | '0' = Bit is cleared |
| | | x = Bit is unknown |

- bit 15-11 **Unimplemented:** Read as '0'
- bit 10-8 **MI2CIP<2:0>:** I²C Master Events Interrupt Priority bits
 - 111 = Interrupt is priority 7 (highest priority interrupt)
 -
 -
 -
 - 001 = Interrupt is priority 1
 - 000 = Interrupt source is disabled
- bit 7 **Unimplemented:** Read as '0'
- bit 6-4 **SI2CIP<2:0>:** I²C Slave Events Interrupt Priority bits
 - 111 = Interrupt is priority 7 (highest priority interrupt)
 -
 -
 -
 - 001 = Interrupt is priority 1
 - 000 = Interrupt source is disabled
- bit 3 **Unimplemented:** Read as '0'
- bit 2-0 **NVMIP<2:0>:** Nonvolatile Memory Interrupt Priority bits
 - 111 = Interrupt is priority 7 (highest priority interrupt)
 -
 -
 -
 - 001 = Interrupt is priority 1
 - 000 = Interrupt source is disabled

REGISTER 5-13: IPC4: INTERRUPT PRIORITY CONTROL REGISTER 4

| | | | | | | | |
|--------|-------------|-------|-------|-------|-------------|-------|-------|
| U-0 | R/W-1 | R/W-0 | R/W-0 | U-0 | R/W-1 | R/W-0 | R/W-0 |
| — | PWM1IP<2:0> | | | — | PSEMIP<2:0> | | |
| bit 15 | | | | bit 8 | | | |

| | | | | | | | |
|-------|-------------|-------|-------|-------|-------------|-------|-------|
| U-0 | R/W-1 | R/W-0 | R/W-0 | U-0 | R/W-1 | R/W-0 | R/W-0 |
| — | INT2IP<2:0> | | | — | INT1IP<2:0> | | |
| bit 7 | | | | bit 0 | | | |

Legend:

| | | |
|-------------------|------------------|------------------------------------|
| R = Readable bit | W = Writable bit | U = Unimplemented bit, read as '0' |
| -n = Value at POR | '1' = Bit is set | '0' = Bit is cleared |
| | | x = Bit is unknown |

bit 15 **Unimplemented:** Read as '0'

bit 14-12 **PWM1IP<2:0>:** PWM Generator #1 Interrupt Priority bits
 111 = Interrupt is priority 7 (highest priority interrupt)
 •
 •
 •
 001 = Interrupt is priority 1
 000 = Interrupt source is disabled

bit 11 **Unimplemented:** Read as '0'

bit 10-8 **PSEMIP<2:0>:** PWM Special Event Match Priority bits
 111 = Interrupt is priority 7 (highest priority interrupt)
 •
 •
 •
 001 = Interrupt is priority 1
 000 = Interrupt source is disabled

bit 7 **Unimplemented:** Read as '0'

bit 6-4 **INT2IP<2:0>:** External Interrupt 2 Priority bits
 111 = Interrupt is priority 7 (highest priority interrupt)
 •
 •
 •
 001 = Interrupt is priority 1
 000 = Interrupt source is disabled

bit 3 **Unimplemented:** Read as '0'

bit 2-0 **INT1IP<2:0>:** External Interrupt 1 Priority bits
 111 = Interrupt is priority 7 (highest priority interrupt)
 •
 •
 •
 001 = Interrupt is priority 1
 000 = Interrupt source is disabled

dsPIC30F1010/202X

REGISTER 5-14: IPC5: INTERRUPT PRIORITY CONTROL REGISTER 5

| | | | | | | | |
|--------|-----|-----|-----|-----|-------------|-------|-------|
| U-0 | U-0 | U-0 | U-0 | U-0 | R/W-1 | R/W-0 | R/W-0 |
| — | — | — | — | — | PWM4IP<2:0> | | |
| bit 15 | | | | | bit 8 | | |

| | | | | | | | |
|-------|-------------|-------|-------|-------|-------------|-------|-------|
| U-0 | R/W-1 | R/W-0 | R/W-0 | U-0 | R/W-1 | R/W-0 | R/W-0 |
| — | PWM3IP<2:0> | | | — | PWM2IP<2:0> | | |
| bit 7 | | | | bit 0 | | | |

Legend:

| | | |
|-------------------|------------------|------------------------------------|
| R = Readable bit | W = Writable bit | U = Unimplemented bit, read as '0' |
| -n = Value at POR | '1' = Bit is set | '0' = Bit is cleared |
| | | x = Bit is unknown |

- bit 15-11 **Unimplemented:** Read as '0'
- bit 10-8 **PWM4IP<2:0>:** PWM Generator #4 Interrupt Priority bits
 111 = Interrupt is priority 7 (highest priority interrupt)
 •
 •
 •
 001 = Interrupt is priority 1
 000 = Interrupt source is disabled
- bit 7 **Unimplemented:** Read as '0'
- bit 6-4 **PWM3IP<2:0>:** PWM Generator #3 Interrupt Priority bits
 111 = Interrupt is priority 7 (highest priority interrupt)
 •
 •
 •
 001 = Interrupt is priority 1
 000 = Interrupt source is disabled
- bit 3 **Unimplemented:** Read as '0'
- bit 2-0 **PWM2IP<2:0>:** PWM Generator #2 Interrupt Priority bits
 111 = Interrupt is priority 7 (highest priority interrupt)
 •
 •
 •
 001 = Interrupt is priority 1
 000 = Interrupt source is disabled

REGISTER 5-15: IPC6: INTERRUPT PRIORITY CONTROL REGISTER 6

| | | | | | | | |
|--------|-----------|-------|-------|-------|-----|-----|-----|
| U-0 | R/W-1 | R/W-0 | R/W-0 | U-0 | U-0 | U-0 | U-0 |
| — | CNIP<2:0> | | | — | — | — | — |
| bit 15 | | | | bit 8 | | | |

| | | | | | | | |
|-------|-----|-----|-----|-------|-----|-----|-----|
| U-0 | U-0 | U-0 | U-0 | U-0 | U-0 | U-0 | U-0 |
| — | — | — | — | — | — | — | — |
| bit 7 | | | | bit 0 | | | |

Legend:

R = Readable bit

W = Writable bit

U = Unimplemented bit, read as '0'

-n = Value at POR

'1' = Bit is set

'0' = Bit is cleared

x = Bit is unknown

- bit 15 **Unimplemented:** Read as '0'
- bit 14-12 **CNIP<2:0>:** Change Notification Interrupt Priority bits
 111 = Interrupt is priority 7 (highest priority interrupt)
- -
 -
- 001 = Interrupt is priority 1
 000 = Interrupt source is disabled
- bit 11-0 **Unimplemented:** Read as '0'

dsPIC30F1010/202X

REGISTER 5-16: IPC7: INTERRUPT PRIORITY CONTROL REGISTER 7

| | | | | | | | |
|--------|------------|-------|-------|-------|------------|-------|-------|
| U-0 | R/W-1 | R/W-0 | R/W-0 | U-0 | R/W-1 | R/W-0 | R/W-0 |
| — | AC3IP<2:0> | | | — | AC2IP<2:0> | | |
| bit 15 | | | | bit 8 | | | |

| | | | | | | | |
|-------|------------|-------|-------|-------|-----|-----|-----|
| U-0 | R/W-1 | R/W-0 | R/W-0 | U-0 | U-0 | U-0 | U-0 |
| — | AC1IP<2:0> | | | — | — | — | — |
| bit 7 | | | | bit 0 | | | |

Legend:

| | | |
|-------------------|------------------|--|
| R = Readable bit | W = Writable bit | U = Unimplemented bit, read as '0' |
| -n = Value at POR | '1' = Bit is set | '0' = Bit is cleared x = Bit is unknown |

- bit 15 **Unimplemented:** Read as '0'
- bit 14-12 **AC3IP<2:0>:** Analog Comparator 3 Interrupt Priority bits
 - 111 = Interrupt is priority 7 (highest priority interrupt)
 -
 -
 -
 - 001 = Interrupt is priority 1
 - 000 = Interrupt source is disabled
- bit 11 **Unimplemented:** Read as '0'
- bit 10-8 **AC2IP<2:0>:** Analog Comparator 2 Interrupt Priority bits
 - 111 = Interrupt is priority 7 (highest priority interrupt)
 -
 -
 -
 - 001 = Interrupt is priority 1
 - 000 = Interrupt source is disabled
- bit 7 **Unimplemented:** Read as '0'
- bit 6-4 **AC1IP<2:0>:** Analog Comparator 1 Interrupt Priority bits
 - 111 = Interrupt is priority 7 (highest priority interrupt)
 -
 -
 -
 - 001 = Interrupt is priority 1
 - 000 = Interrupt source is disabled
- bit 3-0 **Unimplemented:** Read as '0'

REGISTER 5-17: IPC8: INTERRUPT PRIORITY CONTROL REGISTER 8

| | | | | | | | |
|--------|-----|-----|-----|-----|-----|-------|-----|
| U-0 | U-0 | U-0 | U-0 | U-0 | U-0 | U-0 | U-0 |
| — | — | — | — | — | — | — | — |
| bit 15 | | | | | | bit 8 | |

| | | | | | | | |
|-------|-----|-----|-----|-----|------------|-------|-------|
| U-0 | U-0 | U-0 | U-0 | U-0 | R/W-1 | R/W-0 | R/W-0 |
| — | — | — | — | — | AC4IP<2:0> | | |
| bit 7 | | | | | bit 0 | | |

Legend:

R = Readable bit

W = Writable bit

U = Unimplemented bit, read as '0'

-n = Value at POR

'1' = Bit is set

'0' = Bit is cleared

x = Bit is unknown

bit 15-3 **Unimplemented:** Read as '0'

bit 2-0 **AC4IP<2:0>:** Analog Comparator 4 Interrupt Priority bits

111 = Interrupt is priority 7 (highest priority interrupt)

-
-
-

001 = Interrupt is priority 1

000 = Interrupt source is disabled

dsPIC30F1010/202X

REGISTER 5-18: IPC9: INTERRUPT PRIORITY CONTROL REGISTER 9

| | | | | | | | |
|--------|--------------|-------|-------|-------|--------------|-------|-------|
| U-0 | R/W-1 | R/W-0 | R/W-0 | U-0 | R/W-1 | R/W-0 | R/W-0 |
| — | ADCP2IP<2:0> | | | — | ADCP1IP<2:0> | | |
| bit 15 | | | | bit 8 | | | |

| | | | | | | | |
|-------|--------------|-------|-------|-------|-----|-----|-----|
| U-0 | R/W-1 | R/W-0 | R/W-0 | U-0 | U-0 | U-0 | U-0 |
| — | ADCP0IP<2:0> | | | — | — | — | — |
| bit 7 | | | | bit 0 | | | |

Legend:

| | | |
|-------------------|------------------|--|
| R = Readable bit | W = Writable bit | U = Unimplemented bit, read as '0' |
| -n = Value at POR | '1' = Bit is set | '0' = Bit is cleared x = Bit is unknown |

- bit 15 **Unimplemented:** Read as '0'
- bit 14-12 **ADCP2IP<2:0>:** ADC Pair 2 Conversion Done Interrupt Priority bits
 - 111 = Interrupt is priority 7 (highest priority interrupt)
 -
 -
 -
 - 001 = Interrupt is priority 1
 - 000 = Interrupt source is disabled
- bit 11 **Unimplemented:** Read as '0'
- bit 10-8 **ADCP1IP<2:0>:** ADC Pair 1 Conversion Done Interrupt Priority bits
 - 111 = Interrupt is priority 7 (highest priority interrupt)
 -
 -
 -
 - 001 = Interrupt is priority 1
 - 000 = Interrupt source is disabled
- bit 7 **Unimplemented:** Read as '0'
- bit 6-4 **ADCP0IP<2:0>:** ADC Pair 0 Conversion Done Interrupt Priority bits
 - 111 = Interrupt is priority 7 (highest priority interrupt)
 -
 -
 -
 - 001 = Interrupt is priority 1
 - 000 = Interrupt source is disabled
- bit 3-0 **Unimplemented:** Read as '0'

REGISTER 5-19: IPC10: INTERRUPT PRIORITY CONTROL REGISTER 10

| | | | | | | | |
|--------|-----|-----|-----|-----|--------------|-------|-------|
| U-0 | U-0 | U-0 | U-0 | U-0 | R/W-1 | R/W-0 | R/W-0 |
| — | — | — | — | — | ADCP5IP<2:0> | | |
| bit 15 | | | | | bit 8 | | |

| | | | | | | | |
|-------|--------------|-------|-------|-----|--------------|-------|-------|
| U-0 | R/W-1 | R/W-0 | R/W-0 | U-0 | R/W-1 | R/W-0 | R/W-0 |
| — | ADCP4IP<2:0> | | | — | ADCP3IP<2:0> | | |
| bit 7 | | | | | bit 0 | | |

Legend:

| | | |
|-------------------|------------------|------------------------------------|
| R = Readable bit | W = Writable bit | U = Unimplemented bit, read as '0' |
| -n = Value at POR | '1' = Bit is set | '0' = Bit is cleared |
| | | x = Bit is unknown |

- bit 15-11 **Unimplemented:** Read as '0'
- bit 10 - 8 **ADCP5IP<2:0>:** ADC Pair 5 Conversion Done Interrupt Priority bits
 111 = Interrupt is priority 7 (highest priority interrupt)
 •
 •
 •
 001 = Interrupt is priority 1
 000 = Interrupt source is disabled
- bit 7 **Unimplemented:** Read as '0'
- bit 6-4 **ADCP4IP<2:0>:** ADC Pair 4 Conversion Done Interrupt Priority bits
 111 = Interrupt is priority 7 (highest priority interrupt)
 •
 •
 •
 001 = Interrupt is priority 1
 000 = Interrupt source is disabled
- bit 3 **Unimplemented:** Read as '0'
- bit 2-0 **ADCP3IP<2:0>:** ADC Pair 3 Conversion Done Interrupt Priority bits
 111 = Interrupt is priority 7 (highest priority interrupt)
 •
 •
 •
 001 = Interrupt is priority 1
 000 = Interrupt source is disabled

dsPIC30F1010/202X

REGISTER 5-20: INTTREG: INTERRUPT CONTROL AND STATUS REGISTER

| | | | | | | | |
|--------|-----|-----|-----|----------|-----|-----|-----|
| U-0 | U-0 | U-0 | U-0 | R-0 | R-0 | R-0 | R-0 |
| — | — | — | — | ILR<3:0> | | | |
| bit 15 | | | | bit 8 | | | |

| | | | | | | | |
|-------|-------------|-----|-----|-----|-----|-----|-------|
| U-0 | R-0 | R-0 | R-0 | R-0 | R-0 | R-0 | R-0 |
| — | VECNUM<6:0> | | | | | | |
| bit 7 | | | | | | | bit 0 |

Legend:

| | | |
|-------------------|------------------|--|
| R = Readable bit | W = Writable bit | U = Unimplemented bit, read as '0' |
| -n = Value at POR | '1' = Bit is set | '0' = Bit is cleared x = Bit is unknown |

bit 15-12 **Unimplemented:** Read as '0'

bit 11-8 **ILR:** New CPU Interrupt Priority Level bits

1111 = CPU Interrupt Priority Level is 15

-
-
-

0001 = CPU Interrupt Priority Level is 1

0000 = CPU Interrupt Priority Level is 0

bit 7 **Unimplemented:** Read as '0'

bit 6-0 **VECNUM:** Vector Number of Pending Interrupt bits

0111111 = Interrupt Vector pending is number 135

-
-
-

0000001 = Interrupt Vector pending is number 9

0000000 = Interrupt Vector pending is number 8

TABLE 5-2: INTERRUPT CONTROLLER REGISTER MAP

| SFR Name | ADR | Bit 15 | Bit 14 | Bit 13 | Bit 12 | Bit 11 | Bit 10 | Bit 9 | Bit 8 | Bit 7 | Bit 6 | Bit 5 | Bit 4 | Bit 3 | Bit 2 | Bit 1 | Bit 0 | Reset State |
|----------|------|--------|--------------|--------|---------|----------|--------------|---------|---------|-------------|--------------|---------|---------|---------|--------------|---------------------|--------|---------------------|
| INTCON1 | 0080 | NSTDIS | OVAERR | OVBERR | COVAERR | COVBERR | OVATE | OVBTE | COVTE | SFTACERR | DIV0ERR | — | MATHERR | ADDRERR | STKERR | OSCFAIL | — | 0000 0000 0000 0000 |
| INTCON2 | 0082 | ALTVT | DISI | — | — | — | — | — | — | — | — | — | — | — | INT2EP | INT1EP | INT0EP | 0000 0000 0000 0000 |
| IFS0 | 0084 | — | MI2CIF | SI2CIF | NVMIF | ADIF | U1TXIF | U1RXIF | SPI1IF | T3IF | T2IF | OC2IF | — | T1IF | OC1IF | IC1IF | INT0IF | 0000 0000 0000 0000 |
| IFS1 | 0086 | AC3IF | AC2IF | AC1IF | — | CNIF | — | — | — | — | PWM4IF | PWM3IF | PWM2IF | PWM1IF | PSEMIF | INT2IF | INT1IF | 0000 0000 0000 0000 |
| IFS2 | 0088 | — | — | — | — | — | ADCP5IF | ADCP4IF | ADCP3IF | ADCP2IF | ADCP1IF | ADCP0IF | — | — | — | — | AC4IF | 0000 0000 0000 0000 |
| IEC0 | 0094 | — | MI2CIE | SI2CIE | NVMIE | ADIE | U1TXIE | U1RXIE | SPI1IE | T3IE | T2IE | OC2IE | — | T1IE | OC1IE | IC1IE | INT0IE | 0000 0000 0000 0000 |
| IEC1 | 0096 | AC3IE | AC2IE | AC1IE | — | CNIE | — | — | — | — | PWM4IE | PWM3IE | PWM2IE | PWM1IE | PSEMIE | INT2IE | INT1IE | 0000 0000 0000 0000 |
| IEC2 | 0098 | — | — | — | — | — | ADCP5IE | ADCP4IE | ADCP3IE | ADCP2IE | ADCP1IE | ADCP0IE | — | — | — | — | AC4IE | 0000 0000 0000 0000 |
| IPC0 | 00A4 | — | T1IP<2:0> | | | — | OC1IP<2:0> | | | — | IC1IP<2:0> | | | — | INT0IP<2:0> | | | 0100 0100 0100 0100 |
| IPC1 | 00A6 | — | T31P<2:0> | | | — | T2IP<2:0> | | | — | OC2IP<2:0> | | | — | — | — | — | 0100 0100 0100 0000 |
| IPC2 | 00A8 | — | ADIP<2:0> | | | — | U1TXIP<2:0> | | | — | U1RXIP<2:0> | | | — | SPI1IP<2:0> | | | 0100 0100 0100 0100 |
| IPC3 | 00AA | — | — | — | — | — | MI2CIP<2:0> | | | — | SI2CIP<2:0> | | | — | NVMIP<2:0> | | | 0000 0100 0100 0100 |
| IPC4 | 00AC | — | PWM1IP<2:0> | | | — | PSEMIP<2:0> | | | — | INT2IP<2:0> | | | — | INT1IP<2:0> | | | 0100 0100 0100 0100 |
| IPC5 | 00AE | — | — | — | — | — | PWM4IP<2:0> | | | — | PWM3IP<2:0> | | | — | PWM2IP<2:0> | | | 0000 0100 0100 0100 |
| IPC6 | 00B0 | — | CNIP<2:0> | | | — | — | — | — | — | — | — | — | — | — | — | — | 0100 0000 0000 0000 |
| IPC7 | 00B2 | — | AC3IP<2:0> | | | — | AC2IP<2:0> | | | — | AC1IP<2:0> | | | — | — | — | — | 0100 0100 0100 0000 |
| IPC8 | 00B4 | — | — | — | — | — | — | — | — | — | — | — | — | — | AC4IP<2:0> | | | 0000 0000 0000 0100 |
| IPC9 | 00B6 | — | ADCP2IP<2:0> | | | — | ADCP1IP<2:0> | | | — | ADCP0IP<2:0> | | | — | — | — | — | 0100 0100 0100 0000 |
| IPC10 | 00B8 | — | — | — | — | — | ADCP5IP<2:0> | | | — | ADCP4IP<2:0> | | | — | ADCP3IP<2:0> | | | 0000 0100 0100 0100 |
| INTTREG | 00E0 | — | — | — | — | ILR<3:0> | | | — | VECNUM<6:0> | | | | | | 0000 0000 0000 0000 | | |

Note: Refer to the “dsPIC30F/33F Family Reference Manual” (DS70157) for descriptions of register bit fields.

dsPIC30F1010/202X

NOTES:

6.0 I/O PORTS

Note: This data sheet summarizes features of this group of dsPIC30F devices and is not intended to be a complete reference source. For more information on the CPU, peripherals, register descriptions and general device functionality, refer to the “dsPIC30F Family Reference Manual” (DS70046).

All of the device pins (except VDD, VSS, $\overline{\text{MCLR}}$ and OSC1/CLKI) are shared between the peripherals and the parallel I/O ports.

All I/O input ports feature Schmitt Trigger inputs for improved noise immunity.

6.1 Parallel I/O (PIO) Ports

When a peripheral is enabled and the peripheral is actively driving an associated pin, the use of the pin as a general purpose output pin is disabled. The I/O pin may be read, but the output driver for the parallel port bit will be disabled. If a peripheral is enabled, but the peripheral is not actively driving a pin, that pin may be driven by a port.

All port pins have three registers directly associated with the operation of the port pin. The data direction register (TRISx) determines whether the pin is an input or an output. If the data direction bit is a ‘1’, then the pin

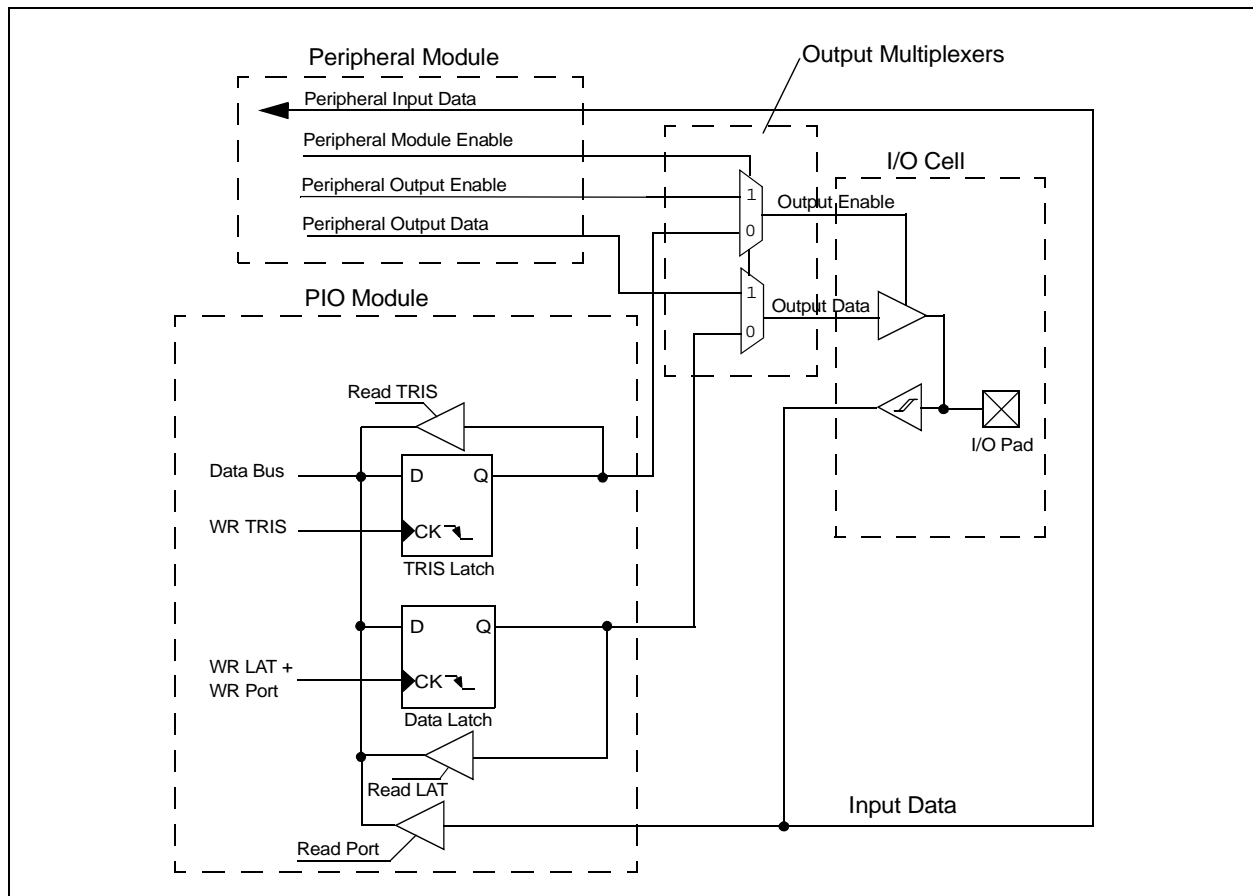
is an input. All port pins are defined as inputs after a Reset. Reads from the latch (LATx), read the latch. Writes to the latch, write the latch (LATx). Reads from the port (PORTx), read the port pins, and writes to the port pins, write the latch (LATx).

Any bit and its associated data and control registers that are not valid for a particular device will be disabled. That means the corresponding LATx and TRISx registers and the port pin will read as zeros.

When a pin is shared with another peripheral or function that is defined as an input only, it is nevertheless regarded as a dedicated port because there is no other competing source of outputs.

A Parallel I/O (PIO) port that shares a pin with a peripheral is, in general, subservient to the peripheral. The peripheral’s output buffer data and control signals are provided to a pair of multiplexers. The multiplexers select whether the peripheral or the associated port has ownership of the output data and control signals of the I/O pad cell. Figure 6-1 shows how ports are shared with other peripherals, and the associated I/O cell (pad) to which they are connected. Table 6-1 and Table 6-2 show the register formats for the shared ports, PORTA through PORTF, for the dsPIC30F1010/2020 and PORTA through PORTG for the dsPIC30F2023 device, respectively.

FIGURE 6-1: BLOCK DIAGRAM OF A SHARED PORT STRUCTURE



dsPIC30F1010/202X

6.2 Configuring Analog Port Pins

The use of the ADPCFG and TRIS registers control the operation of the A/D port pins. The port pins that are desired as analog inputs must have their corresponding TRIS bit set (input). If the TRIS bit is cleared (output), the digital output level (VOH or VOL) will be converted.

When reading the PORT register, all pins configured as analog input channel will read as cleared (a low level).

Pins configured as digital inputs will not convert an analog input. Analog levels on any pin that is defined as a digital input (including the ANx pins), may cause the input buffer to consume current that exceeds the device specifications.

6.2.1 I/O PORT WRITE/READ TIMING

One instruction cycle is required between a port direction change or port write operation and a read operation of the same port. Typically this instruction would be a NOP.

EXAMPLE 6-1: PORT WRITE/READ EXAMPLE

```
MOV 0xFF00, W0; Configure PORTB<15:8>
    ; as inputs
MOV W0, TRISBB; and PORTB<7:0> as outputs
NOP    ; Delay 1 cycle
BTSS PORTB, #13; Next Instruction
```

6.3 Input Change Notification

The input change notification function of the I/O ports allows the dsPIC30F1010/202X devices to generate interrupt requests to the processor in response to a change-of-state on selected input pins. This feature is capable of detecting input change-of-states even in Sleep mode, when the clocks are disabled. There are 8 external signals (CN0 through CN7) that can be selected (enabled) for generating an interrupt request on a change-of-state.

There are two control registers associated with the CN module. The CNEN1 register contain the CN interrupt enable (CNxIE) control bits for each of the CN input pins. Setting any of these bits enables a CN interrupt for the corresponding pins.

Each CN pin also has a weak pull-up connected to it. The pull-ups act as a current source that is connected to the pin and eliminate the need for external resistors when push button or keypad devices are connected. The pull-ups are enabled separately using the CNPU1 register, which contain the weak pull-up enable (CNxPUE) bits for each of the CN pins. Setting any of the control bits enables the weak pull-ups for the corresponding pins.

Note: Pull-ups on change notification pins should always be disabled whenever the port pin is configured as a digital output.

TABLE 6-1: dsPIC30F1010/2020 PORT REGISTER MAP

| SFR Name | Addr. | Bit 15 | Bit 14 | Bit 13 | Bit 12 | Bit 11 | Bit 10 | Bit 9 | Bit 8 | Bit 7 | Bit 6 | Bit 5 | Bit 4 | Bit 3 | Bit 2 | Bit 1 | Bit 0 | Reset State |
|----------|-------|--------|--------|--------|--------|--------|--------|--------|--------|--------|--------|--------|--------|--------|--------|--------|--------|---------------------|
| TRISA | 02C0 | — | — | — | — | — | — | TRISA9 | — | — | — | — | — | — | — | — | — | 0000 0010 0000 0000 |
| PORTA | 02C2 | — | — | — | — | — | — | RA9 | — | — | — | — | — | — | — | — | — | 0000 0000 0000 0000 |
| LATA | 02C4 | — | — | — | — | — | — | LAT9 | — | — | — | — | — | — | — | — | — | 0000 0000 0000 0000 |
| TRISB | 02C6 | — | — | — | — | — | — | — | — | TRISB7 | TRISB6 | TRISB5 | TRISB4 | TRISB3 | TRISB2 | TRISB1 | TRISB0 | 0000 0000 0011 1111 |
| PORTB | 02C8 | — | — | — | — | — | — | — | — | RB7 | RB6 | RB5 | RB4 | RB3 | RB2 | RB1 | RB0 | 0000 0000 0000 0000 |
| LATB | 02CA | — | — | — | — | — | — | — | — | LATB7 | LATB6 | LATB5 | LATB4 | LATB3 | LATB2 | LATB1 | LATB0 | 0000 0000 0000 0000 |
| TRISD | 02D2 | — | — | — | — | — | — | — | — | — | — | — | — | — | — | — | TRISD0 | 0000 0000 0000 0001 |
| PORTD | 02D4 | — | — | — | — | — | — | — | — | — | — | — | — | — | — | — | RD0 | 0000 0000 0000 0000 |
| LATD | 02D6 | — | — | — | — | — | — | — | — | — | — | — | — | — | — | — | LATD0 | 0000 0000 0000 0000 |
| TRISE | 02D8 | — | — | — | — | — | — | — | — | TRSE7 | TRSE6 | TRISE5 | TRISE4 | TRISE3 | TRISE2 | TRISE1 | TRISE0 | 0000 0000 1111 1111 |
| PORTE | 02DA | — | — | — | — | — | — | — | — | RE7 | RE6 | RE5 | RE4 | RE3 | RE2 | RE1 | RE0 | 0000 0000 0000 0000 |
| LATE | 02DC | — | — | — | — | — | — | — | — | LATE7 | LATE6 | LATE5 | LATE4 | LATE3 | LATE2 | LATE1 | LATE0 | 0000 0000 0000 0000 |
| TRISF | 02DE | — | — | — | — | — | — | — | TRISF8 | TRISF7 | TRISF6 | — | — | — | — | — | — | 0000 0001 1100 0000 |
| PORTF | 02E0 | — | — | — | — | — | — | — | RF8 | RF7 | RF6 | — | — | — | — | — | — | 0000 0000 0000 0000 |
| LATF | 02E2 | — | — | — | — | — | — | — | LATF8 | LATF7 | LATF6 | — | — | — | — | — | — | 0000 0000 0000 0000 |

Note: Refer to the “dsPIC30F Family Reference Manual” (DS70046) for descriptions of register bit fields.

TABLE 6-2: dsPIC30F2023 PORT REGISTER MAP

| SFR Name | Addr. | Bit 15 | Bit 14 | Bit 13 | Bit 12 | Bit 11 | Bit 10 | Bit 9 | Bit 8 | Bit 7 | Bit 6 | Bit 5 | Bit 4 | Bit 3 | Bit 2 | Bit 1 | Bit 0 | Reset State |
|----------|-------|---------|---------|--------|--------|---------|---------|--------|--------|--------|--------|--------|--------|--------|--------|--------|--------|---------------------|
| TRISA | 02C0 | — | — | — | — | TRISA11 | TRISA10 | TRISA9 | TRISA8 | — | — | — | — | — | — | — | — | 0000 1111 0000 0000 |
| PORTA | 02C2 | — | — | — | — | RA11 | RA10 | RA9 | RA8 | — | — | — | — | — | — | — | — | 0000 0000 0000 0000 |
| LATA | 02C4 | — | — | — | — | LATA11 | LATA10 | LATA9 | LATA8 | — | — | — | — | — | — | — | — | 0000 0000 0000 0000 |
| TRISB | 02C6 | — | — | — | — | TRISB11 | TRISB10 | TRISB9 | TRISB8 | TRISB7 | TRIS6 | TRISB5 | TRISB4 | TRISB3 | TRISB2 | TRISB1 | TRISB0 | 0000 1111 1111 1111 |
| PORTB | 02C8 | — | — | — | — | RB11 | RB10 | RB9 | RB8 | RB7 | RB6 | RB5 | RB4 | RB3 | RB2 | RB1 | RB0 | 0000 0000 0000 0000 |
| LATB | 02CA | — | — | — | — | LATB11 | LATB10 | LATB9 | LATB8 | LATB7 | LATB6 | LATB5 | LATB4 | LATB3 | LATB2 | LATB1 | LATB0 | 0000 0000 0000 0000 |
| TRISD | 02D2 | — | — | — | — | — | — | — | — | — | — | — | — | — | — | TRISD1 | TRISD0 | 0000 0000 0000 0011 |
| PORTD | 02D4 | — | — | — | — | — | — | — | — | — | — | — | — | — | — | RD1 | RD0 | 0000 0000 0000 0000 |
| LATD | 02D6 | — | — | — | — | — | — | — | — | — | — | — | — | — | — | LATD1 | LATD0 | 0000 0000 0000 0000 |
| TRISE | 02D8 | — | — | — | — | — | — | — | — | TRSE7 | TRSE6 | TRISE5 | TRISE4 | TRISE3 | TRISE2 | TRISE1 | TRISE0 | 0000 0000 1111 1111 |
| PORTE | 02DA | — | — | — | — | — | — | — | — | RE7 | RE6 | RE5 | RE4 | RE3 | RE2 | RE1 | RE0 | 0000 0000 0000 0000 |
| LATE | 02DC | — | — | — | — | — | — | — | — | LATE7 | LATE6 | LATE5 | LATE4 | LATE3 | LATE2 | LATE1 | LATE0 | 0000 0000 0000 0000 |
| TRISF | 02DE | TRISF15 | TRISF14 | — | — | — | — | — | TRISF8 | TRISF7 | TRISF6 | — | — | TRISF3 | TRISF2 | — | — | 1100 0001 1100 1100 |
| PORTF | 02E0 | RF15 | RF14 | — | — | — | — | — | RF8 | RF7 | RF6 | — | — | RF3 | RF2 | — | — | 0000 0000 0000 0000 |
| LATF | 02E2 | LATF15 | LATF14 | — | — | — | — | — | LATF8 | LATF7 | LATF6 | — | — | LATF3 | LATF2 | — | — | 0000 0000 0000 0000 |
| TRISG | 02E4 | — | — | — | — | — | — | — | — | — | — | — | — | TRISG3 | TRISG2 | — | — | 0000 0000 0000 1100 |
| PORTG | 02E6 | — | — | — | — | — | — | — | — | — | — | — | — | RG3 | RG2 | — | — | 0000 0000 0000 0000 |
| LATG | 02E8 | — | — | — | — | — | — | — | — | — | — | — | — | LATG3 | LATG2 | — | — | 0000 0000 0000 0000 |

Note: Refer to the “dsPIC30F Family Reference Manual” (DS70046) for descriptions of register bit fields.

TABLE 6-3: dsPIC30F1010/202X INPUT CHANGE NOTIFICATION REGISTER MAP

| SFR Name | Addr. | Bit 15 | Bit 14 | Bit 13 | Bit 12 | Bit 11 | Bit 10 | Bit 9 | Bit 8 | Bit 7 | Bit 6 | Bit 5 | Bit 4 | Bit 3 | Bit 2 | Bit 1 | Bit 0 | Reset State |
|----------|-------|--------|--------|--------|--------|--------|--------|-------|-------|--------|--------|--------|--------|--------|--------|--------|--------|---------------------|
| CNEN1 | 0060 | — | — | — | — | — | — | — | — | CN7IE | CN6IE | CN5IE | CN4IE | CN3IE | CN2IE | CN1IE | CN0IE | 0000 0000 0000 0000 |
| CNPU1 | 0064 | — | — | — | — | — | — | — | — | CN7PUE | CN6PUE | CN5PUE | CN4PUE | CN3PUE | CN2PUE | CN1PUE | CN0PUE | 0000 0000 0000 0000 |

Note: Refer to the “dsPIC30F Family Reference Manual” (DS70046) for descriptions of register bit fields.

7.0 FLASH PROGRAM MEMORY

Note: This data sheet summarizes features of this group of dsPIC30F devices and is not intended to be a complete reference source. For more information on the CPU, peripherals, register descriptions and general device functionality, refer to the “dsPIC30F Family Reference Manual” (DS70046). For more information on the device instruction set and programming, refer to the “dsPIC30F/33F Programmer’s Reference Manual” (DS70157).

The dsPIC30F family of devices contains internal program Flash memory for executing user code. There are two methods by which the user can program this memory:

1. In-Circuit Serial Programming™ (ICSP™) programming capability
2. Run-Time Self-Programming (RTSP)

7.1 In-Circuit Serial Programming (ICSP)

dsPIC30F devices can be serially programmed while in the end application circuit. This is simply done with two lines for Programming Clock and Programming Data (which are named PGC and PGD respectively), and three other lines for Power (VDD), Ground (VSS) and Master Clear (MCLR). This allows customers to manufacture boards with unprogrammed devices, and then program the microcontroller just before shipping the product. This also allows the most recent firmware or a custom firmware to be programmed.

7.2 Run-Time Self-Programming (RTSP)

RTSP is accomplished using TBLRD (table read) and TBLWT (table write) instructions.

With RTSP, the user may erase program memory 32 instructions (96 bytes) at a time and can write program memory data 32 instructions (96 bytes) at a time.

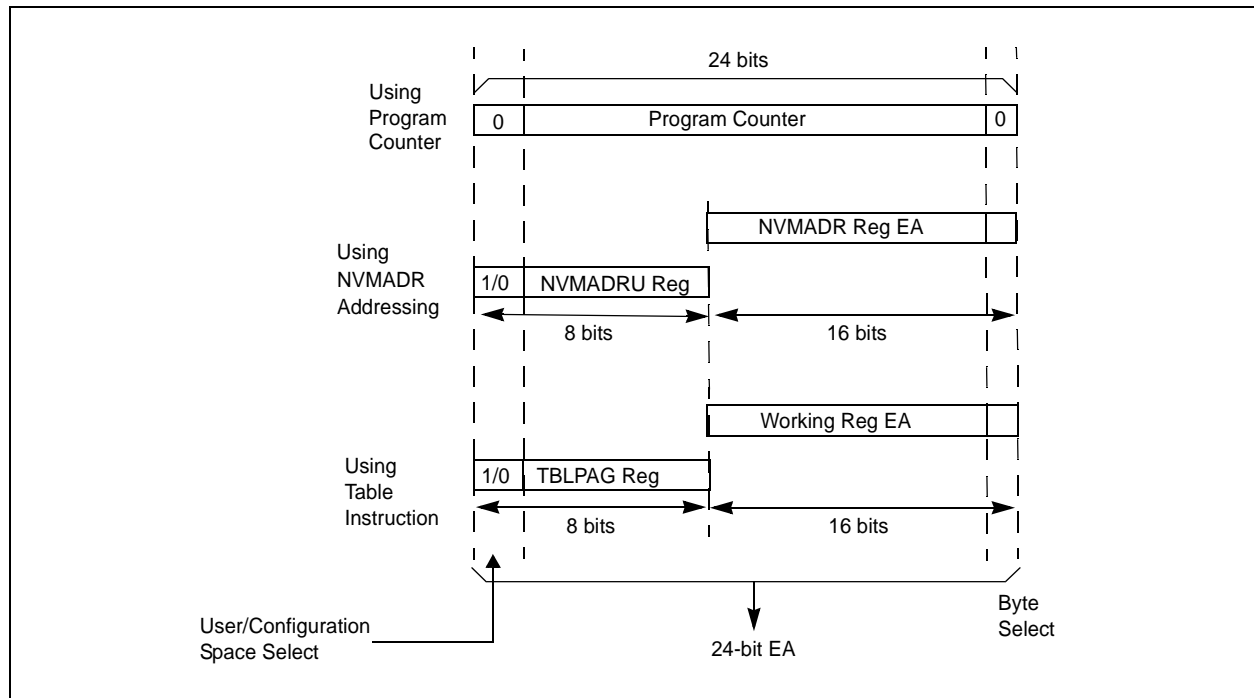
7.3 Table Instruction Operation Summary

The TBLRDL and the TBLWTL instructions are used to read or write to bits <15:0> of program memory. TBLRDL and TBLWTL can access program memory in Word or Byte mode.

The TBLRDH and TBLWTH instructions are used to read or write to bits <23:16> of program memory. TBLRDH and TBLWTH can access program memory in Word or Byte mode.

A 24-bit program memory address is formed using bits <7:0> of the TBLPAG register and the Effective Address (EA) from a W register specified in the table instruction, as shown in Figure 7-1.

FIGURE 7-1: ADDRESSING FOR TABLE AND NVM REGISTERS



7.4 RTSP Operation

The dsPIC30F Flash program memory is organized into rows and panels. Each row consists of 32 instructions, or 96 bytes. Each panel consists of 128 rows, or 4K x 24 instructions. RTSP allows the user to erase one row (32 instructions) at a time and to program 32 instructions at one time. RTSP may be used to program multiple program memory panels, but the table pointer must be changed at each panel boundary.

Each panel of program memory contains write latches that hold 32 instructions of programming data. Prior to the actual programming operation, the write data must be loaded into the panel write latches. The data to be programmed into the panel is loaded in sequential order into the write latches; instruction '0', instruction '1', etc. The instruction words loaded must always be from a group of 32 boundary.

The basic sequence for RTSP programming is to set up a table pointer, then do a series of `TBLWT` instructions to load the write latches. Programming is performed by setting the special bits in the `NVMCON` register. 32 `TBLWTL` and four `TBLWTH` instructions are required to load the 32 instructions. If multiple panel programming is required, the table pointer needs to be changed and the next set of multiple write latches written.

All of the table write operations are single-word writes (2 instruction cycles), because only the table latches are written. A programming cycle is required for programming each row.

The Flash Program Memory is readable, writable and erasable during normal operation over the entire `VDD` range.

7.5 Control Registers

The four SFRs used to read and write the program Flash memory are:

- `NVMCON`
- `NVMADR`
- `NVMADRU`
- `NVMKEY`

7.5.1 NVMCON REGISTER

The `NVMCON` register controls which blocks are to be erased, which memory type is to be programmed and the start of the programming cycle.

7.5.2 NVMADR REGISTER

The `NVMADR` register is used to hold the lower two bytes of the effective address. The `NVMADR` register captures the `EA<15:0>` of the last table instruction that has been executed and selects the row to write.

7.5.3 NVMADRU REGISTER

The `NVMADRU` register is used to hold the upper byte of the effective address. The `NVMADRU` register captures the `EA<23:16>` of the last table instruction that has been executed.

7.5.4 NVMKEY REGISTER

`NVMKEY` is a write-only register that is used for write protection. To start a programming or an erase sequence, the user must consecutively write `0x55` and `0xAA` to the `NVMKEY` register. Refer to **Section 7.6 "Programming Operations"** for further details.

| |
|--|
| <p>Note: The user can also directly write to the <code>NVMADR</code> and <code>NVMADRU</code> registers to specify a program memory address for erasing or programming.</p> |
|--|

7.6 Programming Operations

A complete programming sequence is necessary for programming or erasing the internal Flash in RTSP mode. A programming operation is nominally 2 msec in duration and the processor stalls (waits) until the operation is finished. Setting the WR bit (NVMCON<15>) starts the operation, and the WR bit is automatically cleared when the operation is finished.

7.6.1 PROGRAMMING ALGORITHM FOR PROGRAM FLASH

The user can erase and program one row of program Flash memory at a time. The general process is:

1. Read one row of program Flash (32 instruction words) and store into data RAM as a data "image".
2. Update the data image with the desired new data.
3. Erase program Flash row.
 - a) Setup NVMCON register for multi-word, program Flash, erase and set WREN bit.
 - b) Write address of row to be erased into NVMADRU/NVMADR.
 - c) Write '55' to NVMKEY.
 - d) Write 'AA' to NVMKEY.
 - e) Set the WR bit. This will begin erase cycle.
 - f) CPU will stall for the duration of the erase cycle.
 - g) The WR bit is cleared when erase cycle ends.

4. Write 32 instruction words of data from data RAM "image" into the program Flash write latches.
5. Program 32 instruction words into program Flash.
 - a) Setup NVMCON register for multi-word, program Flash, program and set WREN bit.
 - b) Write '55' to NVMKEY.
 - c) Write 'AA' to NVMKEY.
 - d) Set the WR bit. This will begin program cycle.
 - e) CPU will stall for duration of the program cycle.
 - f) The WR bit is cleared by the hardware when program cycle ends.
6. Repeat steps 1 through 5 as needed to program desired amount of program Flash memory.

7.6.2 ERASING A ROW OF PROGRAM MEMORY

Example 7-1 shows a code sequence that can be used to erase a row (32 instructions) of program memory.

EXAMPLE 7-1: ERASING A ROW OF PROGRAM MEMORY

```

; Setup NVMCON for erase operation, multi word write
; program memory selected, and writes enabled
MOV    #0x4041,W0          ;
MOV    W0,NVMCON          ; Init NVMCON SFR
; Init pointer to row to be ERASED
MOV    #tblpage(PROG_ADDR),W0 ;
MOV    W0,NVMADRU         ; Initialize PM Page Boundary SFR
MOV    #tbloffset(PROG_ADDR),W0 ; Initialize in-page EA<15:0> pointer
MOV    W0, NVMADR         ; Initialize NVMADR SFR
DISI   #5                 ; Block all interrupts with priority <7
                                ; for next 5 instructions

MOV    #0x55,W0
MOV    W0,NVMKEY          ; Write the 0x55 key
MOV    #0xAA,W1
MOV    W1,NVMKEY          ; Write the 0xAA key
BSET   NVMCON,#WR        ; Start the erase sequence
NOP    ; Insert two NOPs after the erase
NOP    ; command is asserted

```

dsPIC30F1010/202X

7.6.3 LOADING WRITE LATCHES

Example 7-2 shows a sequence of instructions that can be used to load the 96 bytes of write latches. 32 TBLWTL and 32 TBLWTH instructions are needed to load the write latches selected by the table pointer.

EXAMPLE 7-2: LOADING WRITE LATCHES

```
; Set up a pointer to the first program memory location to be written
; program memory selected, and writes enabled
MOV    #0x0000,W0                ;
MOV    W0,TBLPAG                ; Initialize PM Page Boundary SFR
MOV    #0x6000,W0                ; An example program memory address
; Perform the TBLWT instructions to write the latches
; 0th_program_word
MOV    #LOW_WORD_0,W2           ;
MOV    #HIGH_BYTE_0,W3         ;
TBLWTL W2,[W0]                 ; Write PM low word into program latch
TBLWTH W3,[W0++]               ; Write PM high byte into program latch
; 1st_program_word
MOV    #LOW_WORD_1,W2           ;
MOV    #HIGH_BYTE_1,W3         ;
TBLWTL W2,[W0]                 ; Write PM low word into program latch
TBLWTH W3,[W0++]               ; Write PM high byte into program latch
; 2nd_program_word
MOV    #LOW_WORD_2,W2           ;
MOV    #HIGH_BYTE_2,W3         ;
TBLWTL W2,[W0]                 ; Write PM low word into program latch
TBLWTH W3,[W0++]               ; Write PM high byte into program latch
.
.
.
; 31st_program_word
MOV    #LOW_WORD_31,W2          ;
MOV    #HIGH_BYTE_31,W3        ;
TBLWTL W2,[W0]                 ; Write PM low word into program latch
TBLWTH W3,[W0++]               ; Write PM high byte into program latch
```

Note: In Example 7-2, the contents of the upper byte of W3 have no effect.

7.6.4 INITIATING THE PROGRAMMING SEQUENCE

For protection, the write initiate sequence for NVMKEY must be used to allow any erase or program operation to proceed. After the programming command has been executed, the user must wait for the programming time until programming is complete. The two instructions following the start of the programming sequence should be NOPS.

EXAMPLE 7-3: INITIATING A PROGRAMMING SEQUENCE

```
DISI    #5                      ; Block all interrupts with priority <7
                                           ; for next 5 instructions
MOV     #0x55,W0                 ; Write the 0x55 key
MOV     W0,NVMKEY                ;
MOV     #0xAA,W1                 ; Write the 0xAA key
MOV     W1,NVMKEY                ;
BSET    NVMCON,#WR               ; Start the erase sequence
NOP     ; Insert two NOPS after the erase
NOP     ; command is asserted
```

TABLE 7-1: NVM REGISTER MAP

| File Name | Addr. | Bit 15 | Bit 14 | Bit 13 | Bit 12 | Bit 11 | Bit 10 | Bit 9 | Bit 8 | Bit 7 | Bit 6 | Bit 5 | Bit 4 | Bit 3 | Bit 2 | Bit 1 | Bit 0 | All RESETS |
|-----------|-------|--------------|--------|--------|--------|--------|--------|-------|-------|---------------|-------------|-------|-------|-------|-------|-------|---------------------|---------------------|
| NVMCON | 0760 | WR | WREN | WRERR | — | — | — | — | TWRI | — | PROGOP<6:0> | | | | | | | 0000 0000 0000 0000 |
| NVMADR | 0762 | NVMADR<15:0> | | | | | | | | | | | | | | | | uuuu uuuu uuuu uuuu |
| NVMADRU | 0764 | — | — | — | — | — | — | — | — | NVMADR<23:16> | | | | | | | 0000 0000 uuuu uuuu | |
| NVMKEY | 0766 | — | — | — | — | — | — | — | — | KEY<7:0> | | | | | | | 0000 0000 0000 0000 | |

Legend: u = uninitialized bit

Note: Refer to the “dsPIC30F Family Reference Manual” (DS70046) for descriptions of register bit fields.

dsPIC30F1010/202X

NOTES:

8.0 TIMER1 MODULE

Note: This data sheet summarizes features of this group of dsPIC30F devices and is not intended to be a complete reference source. For more information on the CPU, peripherals, register descriptions and general device functionality, refer to the “*dsPIC30F Family Reference Manual*” (DS70046).

This section describes the 16-bit General Purpose Timer1 module and associated operational modes. Figure 8-1 depicts the simplified block diagram of the 16-bit Timer1 Module.

Note: Timer1 is a ‘Type A’ timer. Please refer to the specifications for a Type A timer in **Section 21.0 “Electrical Characteristics”** of this document.

The following sections provide a detailed description of the operational modes of the timers, including setup and control registers along with associated block diagrams.

The Timer1 module is a 16-bit timer which can serve as the time counter for the real-time clock, or operate as a free running interval timer/counter. The 16-bit timer has the following modes:

- 16-bit Timer
- 16-bit Synchronous Counter
- 16-bit Asynchronous Counter

Further, the following operational characteristics are supported:

- Timer gate operation
- Selectable prescaler settings
- Timer operation during CPU Idle and Sleep modes
- Interrupt on 16-bit period register match or falling edge of external gate signal

These operating modes are determined by setting the appropriate bit(s) in the 16-bit SFR, T1CON. Figure 8-1 presents a block diagram of the 16-bit timer module.

16-bit Timer Mode: In the 16-bit Timer mode, the timer increments on every instruction cycle up to a match value, preloaded into the period register PR1, then resets to 0 and continues to count.

When the CPU goes into the Idle mode, the timer will stop incrementing, unless the TSIDL (T1CON<13>) bit = 0. If TSIDL = 1, the timer module logic will resume the incrementing sequence upon termination of the CPU Idle mode.

16-bit Synchronous Counter Mode: In the 16-bit Synchronous Counter mode, the timer increments on the rising edge of the applied external clock signal, which is synchronized with the internal phase clocks. The timer counts up to a match value preloaded in PR1, then resets to 0 and continues.

When the CPU goes into the Idle mode, the timer will stop incrementing, unless the respective TSIDL bit = 0. If TSIDL = 1, the timer module logic will resume the incrementing sequence upon termination of the CPU Idle mode.

16-bit Asynchronous Counter Mode: In the 16-bit Asynchronous Counter mode, the timer increments on every rising edge of the applied external clock signal. The timer counts up to a match value preloaded in PR1, then resets to ‘0’ and continues.

When the timer is configured for the Asynchronous mode of operation and the CPU goes into the Idle mode, the timer will stop incrementing if TSIDL = 1.

TABLE 8-1: TIMER1 REGISTER MAP

| SFR Name | Addr. | Bit 15 | Bit 14 | Bit 13 | Bit 12 | Bit 11 | Bit 10 | Bit 9 | Bit 8 | Bit 7 | Bit 6 | Bit 5 | Bit 4 | Bit 3 | Bit 2 | Bit 1 | Bit 0 | Reset State |
|----------|-------|-------------------|--------|--------|--------|--------|--------|-------|-------|-------|-------|------------|-------|-------|-------|-------|-------|---------------------|
| TMR1 | 0100 | Timer 1 Register | | | | | | | | | | | | | | | | uuuu uuuu uuuu uuuu |
| PR1 | 0102 | Period Register 1 | | | | | | | | | | | | | | | | 1111 1111 1111 1111 |
| T1CON | 0104 | TON | — | TSIDL | — | — | — | — | — | — | TGATE | TCKPS<1:0> | — | TSYNC | TCS | — | — | 0000 0000 0000 0000 |

Legend: u = uninitialized bit

Note: Refer to the “*dsPIC30F Family Reference Manual*” (DS70046) for descriptions of register bit fields.

dsPIC30F1010/202X

NOTES:

9.0 TIMER2/3 MODULE

Note: This data sheet summarizes features of this group of dsPIC30F devices and is not intended to be a complete reference source. For more information on the CPU, peripherals, register descriptions and general device functionality, refer to the “*dsPIC30F Family Reference Manual*” (DS70046).

This section describes the 32-bit General Purpose Timer module (Timer2/3) and associated operational modes. Figure 9-1 depicts the simplified block diagram of the 32-bit Timer2/3 module. Figure 9-2 and Figure 9-3 show Timer2/3 configured as two independent 16-bit timers: Timer2 and Timer3, respectively.

Note: The dsPIC30F1010 device does not feature Timer3. Timer2 is a ‘Type B’ timer and Timer3 is a ‘Type C’ timer. Please refer to the appropriate timer type in **Section 21.0 “Electrical Characteristics”** of this document.

The Timer2/3 module is a 32-bit timer, which can be configured as two 16-bit timers, with selectable operating modes. These timers are utilized by other peripheral modules such as:

- Input Capture
- Output Compare/Simple PWM

The following sections provide a detailed description, including setup and control registers, along with associated block diagrams for the operational modes of the timers.

The 32-bit timer has the following modes:

- Two independent 16-bit timers (Timer2 and Timer3) with all 16-bit operating modes (except Asynchronous Counter mode)
- Single 32-bit Timer operation
- Single 32-bit Synchronous Counter

Further, the following operational characteristics are supported:

- ADC Event Trigger
- Timer Gate Operation
- Selectable Prescaler Settings
- Timer Operation during Idle and Sleep modes
- Interrupt on a 32-bit Period Register Match

These operating modes are determined by setting the appropriate bit(s) in the 16-bit T2CON and T3CON SFRs.

For 32-bit timer/counter operation, Timer2 is the least significant word and Timer3 is the most significant word of the 32-bit timer.

Note: For 32-bit timer operation, T3CON control bits are ignored. Only T2CON control bits are used for setup and control. Timer 2 clock and gate inputs are utilized for the 32-bit timer module, but an interrupt is generated with the Timer3 interrupt flag (T3IF) and the interrupt is enabled with the Timer3 interrupt enable bit (T3IE).

16-bit Mode: In the 16-bit mode, Timer2 and Timer3 can be configured as two independent 16-bit timers. Each timer can be set up in either 16-bit Timer mode or 16-bit Synchronous Counter mode. See **Section 8.0 “Timer1 Module”** for details on these two operating modes.

The only functional difference between Timer2 and Timer3 is that Timer2 provides synchronization of the clock prescaler output. This is useful for high-frequency external clock inputs.

32-bit Timer Mode: In the 32-bit Timer mode, the timer increments on every instruction cycle up to a match value, preloaded into the combined 32-bit period register PR3/PR2, then resets to ‘0’ and continues to count.

For synchronous 32-bit reads of the Timer2/Timer3 pair, reading the least significant word (TMR2 register) will cause the most significant word to be read and latched into a 16-bit holding register, termed TMR3HLD.

For synchronous 32-bit writes, the holding register (TMR3HLD) must first be written to. When followed by a write to the TMR2 register, the contents of TMR3HLD will be transferred and latched into the MSB of the 32-bit timer (TMR3).

32-bit Synchronous Counter Mode: In the 32-bit Synchronous Counter mode, the timer increments on the rising edge of the applied external clock signal, which is synchronized with the internal phase clocks. The timer counts up to a match value preloaded in the combined 32-bit period register, PR3/PR2, then resets to ‘0’ and continues.

When the timer is configured for the Synchronous Counter mode of operation and the CPU goes into the Idle mode, the timer will stop incrementing, unless the TSIDL (T2CON<13>) bit = 0. If TSIDL = 1, the timer module logic will resume the incrementing sequence upon termination of the CPU Idle mode.

9.1 Timer Gate Operation

The 32-bit timer can be placed in the Gated Time Accumulation mode. This mode allows the internal Tcy to increment the respective timer when the gate input signal (T2CK pin) is asserted high. Control bit TGATE (T2CON<6>) must be set to enable this mode. When in this mode, Timer2 is the originating clock source. The TGATE setting is ignored for Timer3. The timer must be enabled (TON = 1) and the timer clock source set to internal (TCS = 0).

The falling edge of the external signal terminates the count operation, but does not reset the timer. The user must reset the timer in order to start counting from zero.

9.2 ADC Event Trigger

When a match occurs between the 32-bit timer (TMR3/TMR2) and the 32-bit combined period register (PR3/PR2), a special ADC trigger event signal is generated by Timer3.

9.3 Timer Prescaler

The input clock (FOSC/2 or external clock) to the timer has a prescale option of 1:1, 1:8, 1:64, and 1:256 selected by control bits TCKPS<1:0> (T2CON<5:4> and T3CON<5:4>). For the 32-bit timer operation, the originating clock source is Timer2. The prescaler operation for Timer3 is not applicable in this mode. The prescaler counter is cleared when any of the following occurs:

- a write to the TMR2/TMR3 register
- clearing either of the TON (T2CON<15> or T3CON<15>) bits to '0'
- device Reset such as POR

However, if the timer is disabled (TON = 0), then the Timer 2 prescaler cannot be reset, since the prescaler clock is halted.

TMR2/TMR3 is not cleared when T2CON/T3CON is written.

9.4 Timer Operation During Sleep Mode

During CPU Sleep mode, the timer will not operate, because the internal clocks are disabled.

9.5 Timer Interrupt

The 32-bit timer module can generate an interrupt on period match, or on the falling edge of the external gate signal. When the 32-bit timer count matches the respective 32-bit period register, or the falling edge of the external "gate" signal is detected, the T3IF bit (IFS0<7>) is asserted and an interrupt will be generated if enabled. In this mode, the T3IF interrupt flag is used as the source of the interrupt. The T3IF bit must be cleared in software.

Enabling an interrupt is accomplished via the respective timer interrupt enable bit, T3IE (IEC0<7>).

TABLE 9-1: TIMER2/3 REGISTER MAP

| SFR Name | Addr. | Bit 15 | Bit 14 | Bit 13 | Bit 12 | Bit 11 | Bit 10 | Bit 9 | Bit 8 | Bit 7 | Bit 6 | Bit 5 | Bit 4 | Bit 3 | Bit 2 | Bit 1 | Bit 0 | Reset State |
|----------|-------|--|--------|--------|--------|--------|--------|-------|-------|-------|-------|------------|-------|-------|-------|-------|-------|---------------------|
| TMR2 | 0106 | Timer2 Register | | | | | | | | | | | | | | | | uuuu uuuu uuuu uuuu |
| TMR3HLD | 0108 | Timer3 Holding Register (For 32-bit timer operations only) | | | | | | | | | | | | | | | | uuuu uuuu uuuu uuuu |
| TMR3 | 010A | Timer3 Register | | | | | | | | | | | | | | | | uuuu uuuu uuuu uuuu |
| PR2 | 010C | Period Register 2 | | | | | | | | | | | | | | | | 1111 1111 1111 1111 |
| PR3 | 010E | Period Register 3 | | | | | | | | | | | | | | | | 1111 1111 1111 1111 |
| T2CON | 0110 | TON | — | TSIDL | — | — | — | — | — | — | TGATE | TCKPS<1:0> | T32 | — | TCS | — | — | 0000 0000 0000 0000 |
| T3CON | 0112 | TON | — | TSIDL | — | — | — | — | — | — | TGATE | TCKPS<1:0> | — | — | TCS | — | — | 0000 0000 0000 0000 |

Legend: u = uninitialized bit

Note: Refer to the "dsPIC30F Family Reference Manual" (DS70046) for descriptions of register bit fields.

dsPIC30F1010/202X

NOTES:

10.0 INPUT CAPTURE MODULE

Note: This data sheet summarizes features of this group of dsPIC30F devices and is not intended to be a complete reference source. For more information on the CPU, peripherals, register descriptions and general device functionality, refer to the “dsPIC30F Family Reference Manual” (DS70046).

This section describes the Input Capture module and associated operational modes. The features provided by this module are useful in applications requiring Frequency (Period) and Pulse measurement. Figure 10-1 depicts a block diagram of the Input Capture module. Input capture is useful for such modes as:

- Frequency/Period/Pulse Measurements
- Additional sources of External Interrupts

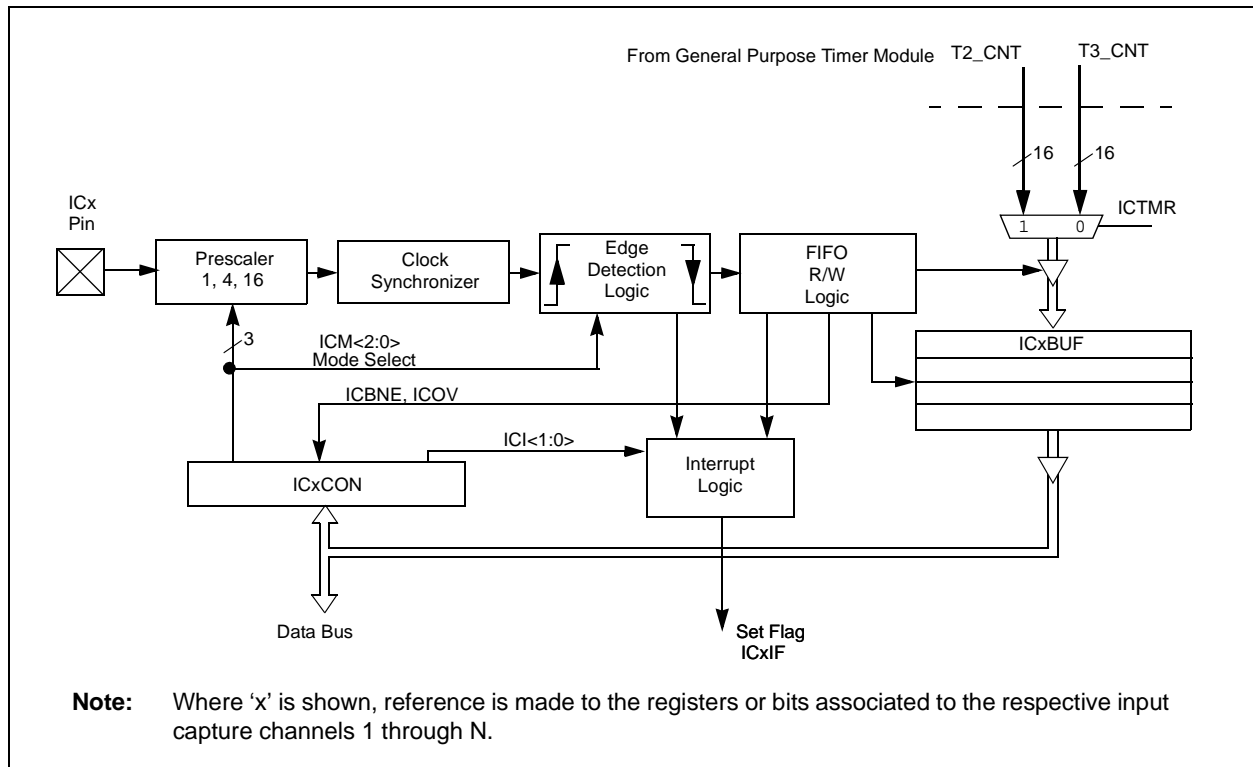
The key operational features of the Input Capture module are:

- Simple Capture Event mode
- Timer2 and Timer3 mode selection
- Interrupt on input capture event

These operating modes are determined by setting the appropriate bits in the ICxCON register (where x = 1,2,...,N). The dsPIC DSC devices contain up to 8 capture channels, (i.e., the maximum value of N is 8).

Note: The dsPIC30F1010 devices does not feature a Input Capture module. The dsPIC30F202X devices have one capture input – IC1. The naming of this capture channel is intentional and preserves software compatibility with other dsPIC DSC devices.

FIGURE 10-1: INPUT CAPTURE MODE BLOCK DIAGRAM



dsPIC30F1010/202X

10.1 Simple Capture Event Mode

The simple capture events in the dsPIC30F product family are:

- Capture every falling edge
- Capture every rising edge
- Capture every 4th rising edge
- Capture every 16th rising edge
- Capture every rising and falling edge

These simple Input Capture modes are configured by setting the appropriate bits ICM<2:0> (ICxCON<2:0>).

10.1.1 CAPTURE PRESCALER

There are four input capture prescaler settings, specified by bits ICM<2:0> (ICxCON<2:0>). Whenever the capture channel is turned off, the prescaler counter will be cleared. In addition, any Reset will clear the prescaler counter.

10.1.2 CAPTURE BUFFER OPERATION

Each capture channel has an associated FIFO buffer, which is four 16-bit words deep. There are two status flags, which provide status on the FIFO buffer:

- ICBFNE – Input Capture Buffer Not Empty
- ICOV – Input Capture Overflow

The ICBFNE will be set on the first input capture event and remain set until all capture events have been read from the FIFO. As each word is read from the FIFO, the remaining words are advanced by one position within the buffer.

In the event that the FIFO is full with four capture events and a fifth capture event occurs prior to a read of the FIFO, an Overflow condition will occur and the ICOV bit will be set to a logic '1'. The fifth capture event is lost and is not stored in the FIFO. No additional events will be captured until all four events have been read from the buffer.

If a FIFO read is performed after the last read and no new capture event has been received, the read will yield indeterminate results.

10.1.3 TIMER2 AND TIMER3 SELECTION MODE

The input capture module consists of up to 8 input capture channels. Each channel can select between one of two timers for the time base, Timer2 or Timer3.

Selection of the timer resource is accomplished through SFR bit ICTMR (ICxCON<7>). Timer3 is the default timer resource available for the input capture module.

10.1.4 HALL SENSOR MODE

When the input capture module is set for capture on every edge, rising and falling, ICM<2:0> = 001, the following operations are performed by the input capture logic:

- The input capture interrupt flag is set on every edge, rising and falling.
- The Interrupt on Capture mode setting bits, ICI<1:0>, are ignored, since every capture generates an interrupt.
- A Capture Overflow condition is not generated in this mode.

10.2 Input Capture Operation During Sleep and Idle Modes

An input capture event will generate a device wake-up or interrupt, if enabled, if the device is in CPU Idle or Sleep mode.

Independent of the timer being enabled, the input capture module will wake-up from the CPU Sleep or Idle mode when a capture event occurs, if ICM<2:0> = 111 and the interrupt enable bit is asserted. The same wake-up can generate an interrupt, if the conditions for processing the interrupt have been satisfied. The wake-up feature is useful as a method of adding extra external pin interrupts.

10.2.1 INPUT CAPTURE IN CPU SLEEP MODE

CPU Sleep mode allows input capture module operation with reduced functionality. In the CPU Sleep mode, the ICI<1:0> bits are not applicable, and the input capture module can only function as an external interrupt source.

The capture module must be configured for interrupt only on the rising edge (ICM<2:0> = 111), in order for the input capture module to be used while the device is in Sleep mode. The prescale settings of 4:1 or 16:1 are not applicable in this mode.

10.2.2 INPUT CAPTURE IN CPU IDLE MODE

CPU Idle mode allows input capture module operation with full functionality. In the CPU Idle mode, the Interrupt mode selected by the ICI<1:0> bits are applicable, as well as the 4:1 and 16:1 capture prescale settings, which are defined by control bits ICM<2:0>. This mode requires the selected timer to be enabled. Moreover, the ICSIDL bit must be asserted to a logic '0'.

If the input capture module is defined as ICM<2:0> = 111 in CPU Idle mode, the input capture pin will serve only as an external interrupt pin.

10.3 Input Capture Interrupts

The input capture channels have the ability to generate an interrupt, based upon the selected number of capture events. The selection number is set by control bits ICI<1:0> (ICxCON<6:5>).

Each channel provides an interrupt flag (ICxIF) bit. The respective capture channel interrupt flag is located in the corresponding IFSx STATUS register.

Enabling an interrupt is accomplished via the respective capture channel interrupt enable (ICxIE) bit. The capture interrupt enable bit is located in the corresponding IEC Control register.

TABLE 10-1: INPUT CAPTURE REGISTER MAP

| SFR Name | Addr. | Bit 15 | Bit 14 | Bit 13 | Bit 12 | Bit 11 | Bit 10 | Bit 9 | Bit 8 | Bit 7 | Bit 6 | Bit 5 | Bit 4 | Bit 3 | Bit 2 | Bit 1 | Bit 0 | Reset State |
|----------|-------|--------------------------|--------|--------|--------|--------|--------|-------|-------|-------|----------|-------|-------|----------|-------|-------|---------------------|---------------------|
| IC1BUF | 0140 | Input 1 Capture Register | | | | | | | | | | | | | | | | uuuu uuuu uuuu uuuu |
| IC1CON | 0142 | — | — | ICSIDL | — | — | — | — | — | ICTMR | IC1<1:0> | ICOV | ICBNE | ICM<2:0> | | | 0000 0000 0000 0000 | |

Legend: u = uninitialized bit

Note: Refer to the “dsPIC30F Family Reference Manual” (DS70046) for descriptions of register bit fields.

11.0 OUTPUT COMPARE MODULE

Note: This data sheet summarizes features of this group of dsPIC30F devices and is not intended to be a complete reference source. For more information on the CPU, peripherals, register descriptions and general device functionality, refer to the “dsPIC30F Family Reference Manual” (DS70046).

This section describes the Output Compare module and associated operational modes. The features provided by this module are useful in applications requiring operational modes such as:

- Generation of Variable Width Output Pulses
- Power Factor Correction

Figure 11-1 depicts a block diagram of the Output Compare module.

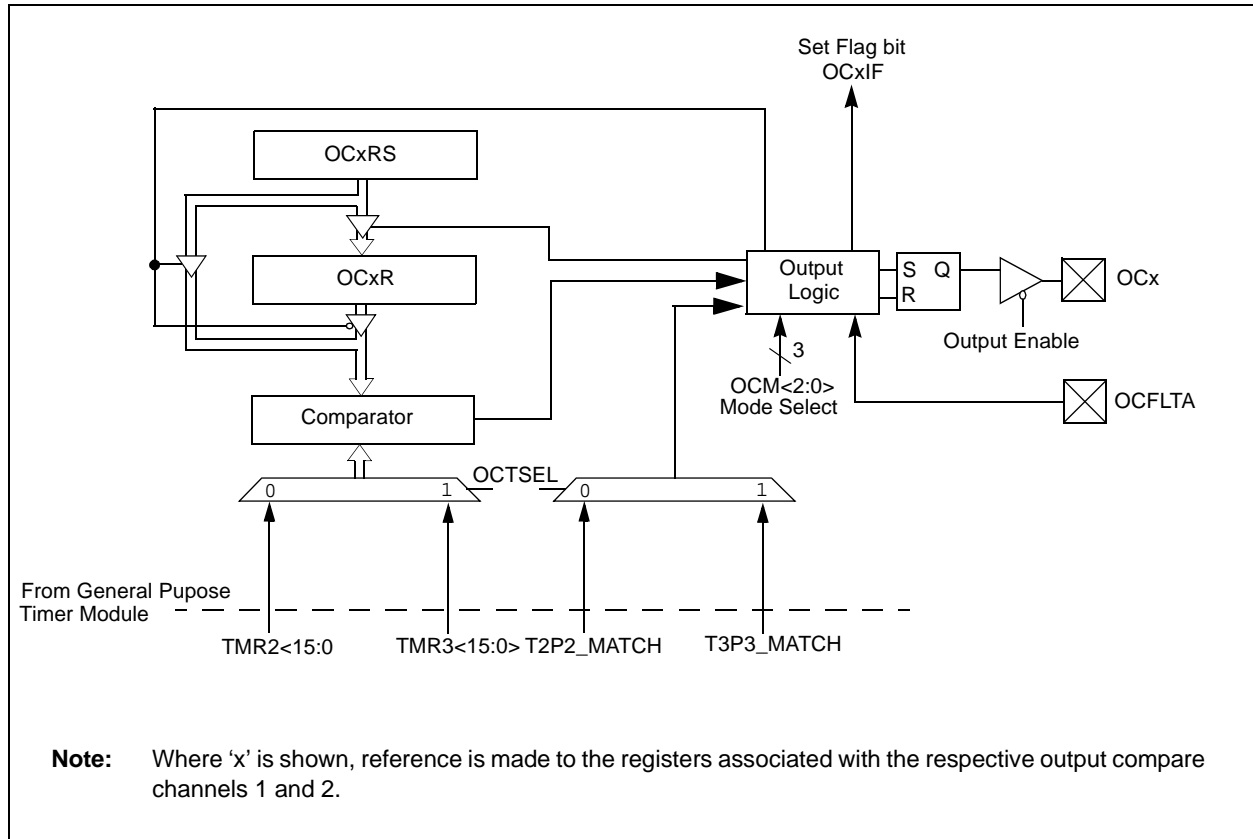
The key operational features of the Output Compare module include:

- Timer2 and Timer3 Selection mode
- Simple Output Compare Match mode
- Dual Output Compare Match mode
- Simple PWM mode
- Output Compare during Sleep and Idle modes
- Interrupt on Output Compare/PWM Event

These operating modes are determined by setting the appropriate bits in the 16-bit OCxCON SFR (where $x = 1$ and 2).

OCxRS and OCxR in the figure represent the Dual Compare registers. In the Dual Compare mode, the OCxR register is used for the first compare and OCxRS is used for the second compare.

FIGURE 11-1: OUTPUT COMPARE MODE BLOCK DIAGRAM



dsPIC30F1010/202X

11.1 Timer2 and Timer3 Selection Mode

Each output compare channel can select between one of two 16-bit timers: Timer2 or Timer3.

The selection of the timers is controlled by the OCTSEL bit (OCxCON<3>). Timer2 is the default timer resource for the Output Compare module.

11.2 Simple Output Compare Match Mode

When control bits OCM<2:0> (OCxCON<2:0>) = 001, 010 or 011, the selected output compare channel is configured for one of three simple Output Compare Match modes:

- Compare forces I/O pin low
- Compare forces I/O pin high
- Compare toggles I/O pin

The OCxR register is used in these modes. The OCxR register is loaded with a value and is compared to the selected incrementing timer count. When a compare occurs, one of these Compare Match modes occurs. If the counter resets to zero before reaching the value in OCxR, the state of the OCx pin remains unchanged.

11.3 Dual Output Compare Match Mode

When control bits OCM<2:0> (OCxCON<2:0>) = 100 or 101, the selected output compare channel is configured for one of two Dual Output Compare modes, which are:

- Single Output Pulse mode
- Continuous Output Pulse mode

11.3.1 SINGLE PULSE MODE

For the user to configure the module for the generation of a single output pulse, the following steps are required (assuming the timer is off):

- Determine instruction cycle time T_{CY} .
- Calculate desired pulse width value based on T_{CY} .
- Calculate time to start pulse from timer start value of 0x0000.
- Write pulse width start and stop times into OCxR and OCxRS compare registers (x denotes channel 1, 2).
- Set timer period register to value equal to, or greater than, value in OCxRS compare register.
- Set OCM<2:0> = 100.
- Enable timer, TON (TxCON<15>) = 1.

To initiate another single pulse, issue another write to set OCM<2:0> = 100.

11.3.2 CONTINUOUS PULSE MODE

For the user to configure the module for the generation of a continuous stream of output pulses, the following steps are required:

- Determine instruction cycle time T_{CY} .
- Calculate desired pulse value based on T_{CY} .
- Calculate timer to start pulse width from timer start value of 0x0000.
- Write pulse width start and stop times into OCxR and OCxRS (x denotes channel 1, 2) compare registers, respectively.
- Set timer period register to value equal to, or greater than, value in OCxRS compare register.
- Set OCM<2:0> = 101.
- Enable timer, TON (TxCON<15>) = 1.

11.4 Simple PWM Mode

When control bits OCM<2:0> (OCxCON<2:0>) = 110 or 111, the selected output compare channel is configured for the PWM mode of operation. When configured for the PWM mode of operation, OCxR is the Main latch (read-only) and OCxRS is the secondary latch. This enables glitchless PWM transitions.

The user must perform the following steps in order to configure the output compare module for PWM operation:

1. Set the PWM period by writing to the appropriate period register.
2. Set the PWM duty cycle by writing to the OCxRS register.
3. Configure the output compare module for PWM operation.
4. Set the TMRx prescale value and enable the Timer, TON (TxCON<15>) = 1.

11.4.1 PWM PERIOD

The PWM period is specified by writing to the PRx register. The PWM period can be calculated using Equation 11-1.

EQUATION 11-1: PWM PERIOD

$$\text{PWM period} = [(PRx) + 1] \cdot 4 \cdot T_{OSC} \cdot (\text{TMRx prescale value})$$

PWM frequency is defined as $1/[\text{PWM period}]$.

When the selected TMRx is equal to its respective period register, PRx, the following four events occur on the next increment cycle:

- TMRx is cleared.
- The OCx pin is set.
 - Exception 1: If PWM duty cycle is 0x0000, the OCx pin will remain low.
 - Exception 2: If duty cycle is greater than PRx, the pin will remain high.
- The PWM duty cycle is latched from OCxRS into OCxR.
- The corresponding timer interrupt flag is set.

See Figure 11-1 for key PWM period comparisons. Timer3 is referred to in the figure for clarity.

11.4.2 PWM WITH FAULT PROTECTION INPUT PIN

When control bits OCM<2:0> (OCxCON<2:0>) = 111, Fault protection is enabled via the OCFLTA pin. If the a logic '0' is detected on the OCFLTA pin, the output pins are placed in a high-impedance state. The state remains until:

- the external Fault condition has been removed **and**
- the PWM mode is reenabled by writing to the appropriate control bits

As a result of the Fault condition, the OCxIF interrupt is asserted, and an interrupt will be generated, if enabled. Upon detection of the Fault condition, the OCFLTx bit in the OCxCON register is asserted high. This bit is a read-only bit and will be cleared once the external Fault condition has been removed, and the PWM mode is reenabled by writing the appropriate mode bits, OCM<2:0> in the OCxCON register.

11.5 Output Compare Operation During CPU Sleep Mode

When the CPU enters the Sleep mode, all internal clocks are stopped. Therefore, when the CPU enters the Sleep state, the output compare channel will drive the pin to the active state that was observed prior to entering the CPU Sleep state.

For example, if the pin was high when the CPU entered the Sleep state, the pin will remain high. Likewise, if the pin was low when the CPU entered the Sleep state, the pin will remain low. In either case, the output compare module will resume operation when the device wakes up.

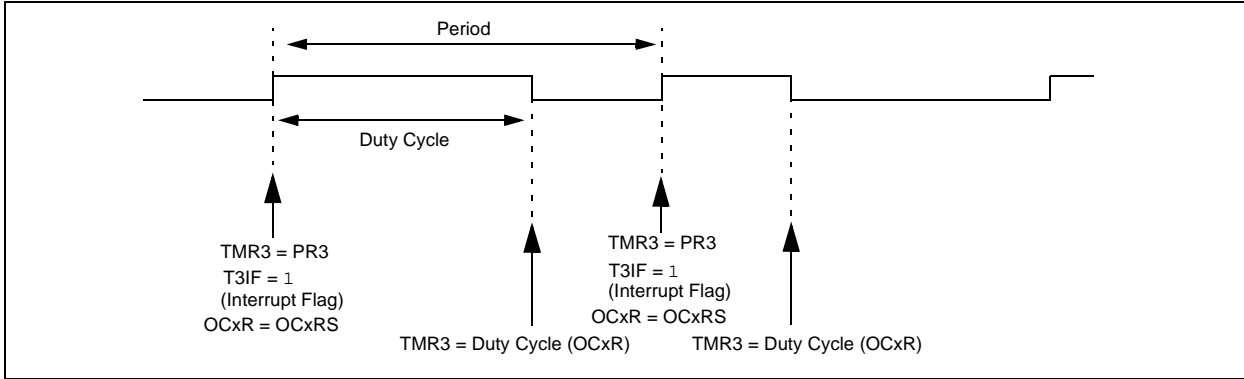
11.6 Output Compare Operation During CPU Idle Mode

When the CPU enters the Idle mode, the output compare module can operate with full functionality.

The output compare channel will operate during the CPU Idle mode if the OCSIDL bit (OCxCON<13>) is at logic '0' and the selected time base (Timer2 or Timer3) is enabled and the TSIDL bit of the selected timer is set to logic '0'.

dsPIC30F1010/202X

FIGURE 11-1: PWM OUTPUT TIMING



11.7 Output Compare Interrupts

The output compare channels have the ability to generate an interrupt on a compare match, for whichever Match mode has been selected.

For all modes except the PWM mode, when a compare event occurs, the respective interrupt flag (OCxIF) is asserted and an interrupt will be generated, if enabled. The OCxIF bit is located in the corresponding IFS STATUS register, and must be cleared in software. The interrupt is enabled via the respective compare interrupt enable (OCxIE) bit, located in the corresponding IEC Control register.

For the PWM mode, when an event occurs, the respective timer interrupt flag (T2IF or T3IF) is asserted and an interrupt will be generated, if enabled. The IF bit is located in the IFS0 STATUS register, and must be cleared in software. The interrupt is enabled via the respective timer interrupt enable bit (T2IE or T3IE), located in the IEC0 Control register. The output compare interrupt flag is never set during the PWM mode of operation.

TABLE 11-1: OUTPUT COMPARE REGISTER MAP

| SFR Name | Addr. | Bit 15 | Bit 14 | Bit 13 | Bit 12 | Bit 11 | Bit 10 | Bit 9 | Bit 8 | Bit 7 | Bit 6 | Bit 5 | Bit 4 | Bit 3 | Bit 2 | Bit 1 | Bit 0 | Reset State |
|----------|-------|----------------------------------|--------|--------|--------|--------|--------|-------|-------|-------|-------|-------|-------|--------|----------|-------|-------|---------------------|
| OC1RS | 0180 | Output Compare 1 Slave Register | | | | | | | | | | | | | | | | 0000 0000 0000 0000 |
| OC1R | 0182 | Output Compare 1 Master Register | | | | | | | | | | | | | | | | 0000 0000 0000 0000 |
| OC1CON | 0184 | — | — | OCSIDL | — | — | — | — | — | — | — | — | OCFLT | OCTSEL | OCM<2:0> | | | 0000 0000 0000 0000 |
| OC2RS | 0186 | Output Compare 2 Slave Register | | | | | | | | | | | | | | | | 0000 0000 0000 0000 |
| OC2R | 0188 | Output Compare 2 Master Register | | | | | | | | | | | | | | | | 0000 0000 0000 0000 |
| OC2CON | 018A | — | — | OCSIDL | — | — | — | — | — | — | — | — | OCFLT | OCTSEL | OCM<2:0> | | | 0000 0000 0000 0000 |

Note: Refer to the “*dsPIC30F Family Reference Manual*” (DS70046) for descriptions of register bit fields.

dsPIC30F1010/202X

NOTES:

12.0 POWER SUPPLY PWM

The Power Supply PWM (PS PWM) module on the dsPIC30F1010/202X device supports a wide variety of PWM modes and output formats. This PWM module is ideal for power conversion applications such as:

- DC/DC converters
- AC/DC power supplies
- Uninterruptable Power Supply (UPS)

12.1 Features Overview

The PS PWM module incorporates these features:

- Four PWM generators with eight I/O
- Four Independent time bases
- Duty cycle resolution of 1.1 nsec @ 30 MIPS
- Dead-time resolution of 4.2 nsec @ 30 MIPS
- Phase-shift resolution of 4.2 nsec @ 30 MIPS
- Frequency resolution of 8.4 nsec @ 30 MIPS
- Supported PWM modes:
 - Standard Edge-Aligned PWM
 - Complementary PWM
 - Push-Pull PWM
 - Multi-Phase PWM
 - Variable Phase PWM
 - Fixed Off-Time PWM
 - Current Reset PWM
 - Current-Limit PWM
 - Independent Time Base PWM
- On-the-Fly changes to:
 - PWM frequency
 - PWM duty cycle
 - PWM phase shift
- Output override control
- Independent current-limit and Fault inputs
- Special event comparator for scheduling other peripheral events
- Each PWM generator has comparator for triggering ADC conversions.

Figure 12-1 conceptualizes the PWM module in a simplified block diagram. Figure 12-2 illustrates how the module hardware is partitioned for each PWM output pair for the Complementary PWM mode. Each functional unit of the PWM module is discussed in subsequent sections.

The PWM module contains four PWM generators. The module has eight PWM output pins: PWM1H, PWM1L, PWM2H, PWM2L, PWM3H, PWM3L, PWM4H and PWM4L. For complementary outputs, these eight I/O pins are grouped into H/L pairs.

12.2 Description

The PWM module is designed for applications that require (a) high resolution at high PWM frequencies, (b) the ability to drive standard push-pull or half bridge converters or (c) the ability to create multi-phase PWM outputs.

Two common, medium-power converter topologies are Push-Pull and Half-Bridge. These designs require the PWM output signal to be switched between alternate pins, as provided by the Push-Pull PWM mode.

Phase-shifted PWM describes the situation where each PWM generator provides outputs, but the phase relationship between the generator outputs is specifiable and changeable.

Multi-Phase PWM is often used to improve DC-DC converter load transient response, and reduce the size of output filter capacitors and inductors. Multiple DC/DC converters are often operated in parallel but phase shifted in time. A single PWM output operating at 250 KHz has a period of 4 μ sec. But an array of four PWM channels, staggered by 1 μ sec each, yields an effective switching frequency of 1 MHz. Multi-phase PWM applications typically use a fixed-phase relationship.

Variable Phase PWM is useful in Zero Voltage Transition (ZVT) power converters. Here the PWM duty cycle is always 50%, and the power flow is controlled by varying the relative phase shift between the two PWM generators.

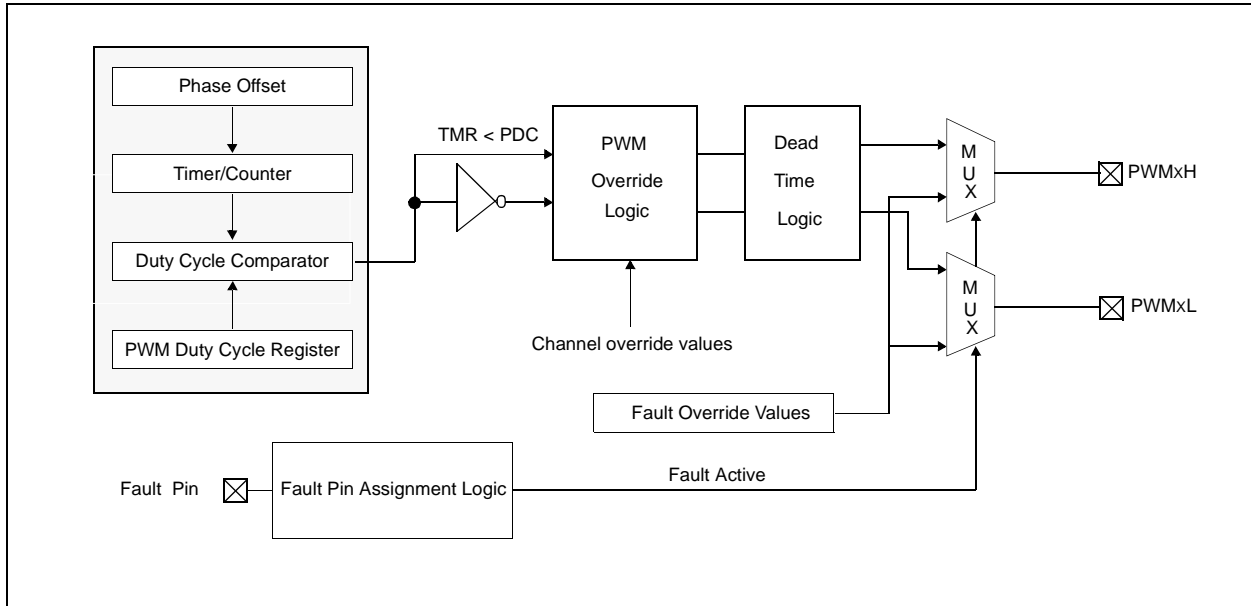
Note: The PLL must be enabled for the PS PWM module to function. This is achieved by using the FNOSC<1:0> bits in the FOSCSEL Configuration register.

dsPIC30F1010/202X

FIGURE 12-1: SIMPLIFIED CONCEPTUAL BLOCK DIAGRAM OF POWER SUPPLY PWM



FIGURE 12-2: PARTITIONED OUTPUT PAIR, COMPLEMENTARY PWM MODE



12.3 Control Registers

The following registers control the operation of the Power Supply PWM Module.

- PTCON: PWM Time Base Control Register
- PTPER: Primary Time Base Register
- SEVTCMP: PWM Special Event Compare Register
- MDC: PWM Master Duty Cycle Register
- PWMCONx: PWM Control Register
- PDCx: PWM Generator Duty Cycle Register
- PHASEx: PWM Phase-Shift Register
(PWM Period Register when module is configured for individual period mode)
- DTRx: PWM Dead-Time Register
- ALTDTRx: PWM Alternate Dead-Time Register
- TRGCONx: PWM TRIGGER Control Register
- IOCONx: PWM I/O Control Register
- FCLCONx: PWM Fault Current-Limit Control Register
- TRIGx: PWM Trigger Compare Value Register
- LEBCONx: Leading Edge Blanking Control Register

dsPIC30F1010/202X

REGISTER 12-1: PTCON: PWM TIME BASE CONTROL REGISTER

| | | | | | | | |
|--------|-----|--------|--------|-------|-------|---------|---------|
| R/W-0 | U-0 | R/W-0 | R/W-0 | R/W-0 | R/W-0 | R/W-0 | R/W-0 |
| PTEN | — | PTSIDL | SESTAT | SEIEN | EIPU | SYNCPOL | SYNCOEN |
| bit 15 | | | | | | | bit 8 |

| | | | | | | | |
|---------|--------------|-------|-------|-------------|-------|-------|-------|
| R/W-0 | R/W-0 | R/W-0 | R/W-0 | R/W-0 | R/W-0 | R/W-0 | R/W-0 |
| SYNCCEN | SYNCSRC<2:0> | | | SEVTPS<3:0> | | | |
| bit 7 | | | | | | | bit 0 |

Legend:

R = Readable bit W = Writable bit U = Unimplemented bit, read as '0'
 -n = Value at POR '1' = Bit is set '0' = Bit is cleared x = Bit is unknown

- bit 15 **PTEN:** PWM Module Enable bit
 1 = PWM module is enabled
 0 = PWM module is disabled
- bit 14 **Unimplemented:** Read as '0'
- bit 13 **PTSIDL:** PWM Time Base Stop in Idle Mode bit
 1 = PWM time base halts in CPU Idle mode
 0 = PWM time base runs in CPU Idle mode
- bit 12 **SESTAT:** Special Event Interrupt Status bit
 1 = Special Event Interrupt is pending
 0 = Special Event Interrupt is not pending
- bit 11 **SEIEN:** Special Event Interrupt Enable bit
 1 = Special Event Interrupt is enabled
 0 = Special Event Interrupt is disabled
- bit 10 **EIPU:** Enable Immediate Period Updates bit
 1 = Active Period register is updated immediately
 0 = Active Period register updates occur on PWM cycle boundaries
- bit 9 **SYNCPOL:** Synchronize Input Polarity bit
 1 = SYNCIN polarity is inverted (low active)
 0 = SYNCIN is high active
- bit 8 **SYNCOEN:** Primary Time Base Sync Enable bit
 1 = SYNCO output is enabled
 0 = SYNCO output is disabled
- bit 7 **SYNCCEN:** External Time Base Synchronization Enable bit
 1 = External synchronization of primary time base is enabled
 0 = External synchronization of primary time base is disabled
- bit 6-4 **SYNCSRC<2:0>:** Sync Source Selection bits
 000 = SYNCI
 001 = Reserved
 .
 .
 111 = Reserved
- bit 3-0 **SEVTPS<3:0>:** PWM Special Event Trigger Output Postscale Select bits
 0000 = 1:1 Postscale
 0001 = 1:2 Postscale
 ||
 ||
 1111 = 1:16 Postscale

REGISTER 12-2: PTPER: PRIMARY TIME BASE REGISTER

| | | | | | | | |
|--------------|-------|-------|-------|-------|-------|-------|-------|
| R/W-0 | R/W-0 | R/W-0 | R/W-0 | R/W-0 | R/W-0 | R/W-0 | R/W-0 |
| PTPER <15:8> | | | | | | | |
| bit 15 | | | | bit 8 | | | |

| | | | | | | | |
|-------------|-------|-------|-------|-------|-----|-----|-----|
| R/W-0 | R/W-0 | R/W-0 | R/W-0 | R/W-0 | U-0 | U-0 | U-0 |
| PTPER <7:3> | | | | | — | — | — |
| bit 7 | | | | bit 0 | | | |

Legend:

R = Readable bit W = Writable bit U = Unimplemented bit, read as '0'
 -n = Value at POR '1' = Bit is set '0' = Bit is cleared x = Bit is unknown

bit 15-3 Primary Time Base (PTMR) Period Value bits

bit 2-0 **Unimplemented:** Read as '0'

REGISTER 12-3: SEVTCMP: PWM SPECIAL EVENT COMPARE REGISTER

| | | | | | | | |
|----------------|-------|-------|-------|-------|-------|-------|-------|
| R/W-0 | R/W-0 | R/W-0 | R/W-0 | R/W-0 | R/W-0 | R/W-0 | R/W-0 |
| SEVTCMP <15:8> | | | | | | | |
| bit 15 | | | | bit 8 | | | |

| | | | | | | | |
|---------------|-------|-------|-------|-------|-----|-----|-----|
| R/W-0 | R/W-0 | R/W-0 | R/W-0 | R/W-0 | U-0 | U-0 | U-0 |
| SEVTCMP <7:3> | | | | | — | — | — |
| bit 7 | | | | bit 0 | | | |

Legend:

R = Readable bit W = Writable bit U = Unimplemented bit, read as '0'
 -n = Value at POR '1' = Bit is set '0' = Bit is cleared x = Bit is unknown

bit 15-3 Special Event Compare Count Value bits

bit 2-0 **Unimplemented:** Read as '0'

dsPIC30F1010/202X

REGISTER 12-4: MDC: PWM MASTER DUTY CYCLE REGISTER

| | | | | | | | | |
|-----------|-------|-------|-------|-------|-------|-------|-------|-------|
| R/W-0 | R/W-0 | R/W-0 | R/W-0 | R/W-0 | R/W-0 | R/W-0 | R/W-0 | |
| MDC<15:8> | | | | | | | | |
| bit 15 | | | | | | | | bit 8 |

| | | | | | | | | |
|----------|-------|-------|-------|-------|-------|-------|-------|-------|
| R/W-0 | R/W-0 | R/W-0 | R/W-0 | R/W-0 | R/W-0 | R/W-0 | R/W-0 | |
| MDC<7:0> | | | | | | | | |
| bit 7 | | | | | | | | bit 0 |

Legend:

R = Readable bit W = Writable bit U = Unimplemented bit, read as '0'
 -n = Value at POR '1' = Bit is set '0' = Bit is cleared x = Bit is unknown

bit 15-0 Master PWM Duty Cycle Value bits⁽¹⁾

Note 1: The minimum value for this register is 0x0008 and the maximum value is 0xFFEF.

REGISTER 12-5: PWMCONx: PWM CONTROL REGISTER

| | | | | | | | | |
|---------|---------|---------|--------|-------|--------|-------|-------|-------|
| HS/HC-0 | HS/HC-0 | HS/HC-0 | R/W-0 | R/W-0 | R/W-0 | R/W-0 | R/W-0 | |
| FLTSTAT | CLSTAT | TRGSTAT | FLTIEN | CLIEN | TRGIEN | ITB | MDCS | |
| bit 15 | | | | | | | | bit 8 |

| | | | | | | | | |
|----------|-------|-----|-----|-----|-----|-------|-------|-------|
| R/W-0 | R/W-0 | U-0 | U-0 | U-0 | U-0 | R/W-0 | R/W-0 | |
| DTC<1:0> | | — | — | — | — | XPRES | IUE | |
| bit 7 | | | | | | | | bit 0 |

Legend:

R = Readable bit W = Writable bit U = Unimplemented bit, read as '0'
 -n = Value at POR '1' = Bit is set '0' = Bit is cleared x = Bit is unknown

bit 15 **FLTSTAT:** Fault Interrupt Status
 1 = Fault Interrupt is pending
 0 = No Fault Interrupt is pending
 This bit is cleared by setting FLTIEN = 0.

Note: Software must clear the interrupt status here, and the corresponding IFS bit in Interrupt Controller.

bit 14 **CLSTAT:** Current-Limit Interrupt Status bit
 1 = Current-limit interrupt is pending
 0 = No current-limit interrupt is pending
 This bit is cleared by setting CLIEN = 0.

Note: Software must clear the interrupt status here, and the corresponding IFS bit in Interrupt Controller.

bit 13 **TRGSTAT:** Trigger Interrupt Status bit
 1 = Trigger interrupt is pending
 0 = No trigger interrupt is pending
 This bit is cleared by setting TRGIEN = 0.

bit 12 **FLTIEN:** Fault Interrupt Enable bit
 1 = Fault interrupt enabled
 0 = Fault interrupt disabled and FLTSTAT bit is cleared

REGISTER 12-5: PWMCONx: PWM CONTROL REGISTER (CONTINUED)

| | |
|---------|---|
| bit 11 | CLIEN: Current-Limit Interrupt Enable bit 1 = Current-limit interrupt enabled 0 = Current-limit interrupt disabled and CLSTAT bit is cleared |
| bit 10 | TRGIEN: Trigger Interrupt Enable bit 1 = A trigger event generates an interrupt request 0 = Trigger event interrupts are disabled and TRGSTAT bit is cleared |
| bit 9 | ITB: Independent Time Base Mode bit 1 = Phasex register provides time base period for this PWM generator 0 = Primary time base provides timing for this PWM generator |
| bit 8 | MDCS: Master Duty Cycle Register Select bit 1 = MDC register provides duty cycle information for this PWM generator 0 = DCx register provides duty cycle information for this PWM generator |
| bit 7-6 | DTC<1:0>: Dead-time Control bits 00 = Positive dead time actively applied for all output modes 01 = Negative dead time actively applied for all output modes 10 = Dead-time function is disabled 11 = Reserved |
| bit 5-2 | Unimplemented: Read as '0' |
| bit 1 | XPRES: External PWM Reset Control bit 1 = Current-limit source resets time base for this PWM generator if it is in independent time base mode 0 = External pins do not affect PWM time base |
| bit 0 | IUE: Immediate Update Enable bit 1 = Updates to the active PDC registers are immediate 0 = Updates to the active PDC registers are synchronized to the PWM time base |

REGISTER 12-6: PDCx: PWM GENERATOR DUTY CYCLE REGISTER

| | | | | | | | |
|------------|-------|-------|-------|-------|-------|-------|-------|
| R/W-0 | R/W-0 | R/W-0 | R/W-0 | R/W-0 | R/W-0 | R/W-0 | R/W-0 |
| PDCx<15:8> | | | | | | | |
| bit 15 | | | | | | | bit 8 |

| | | | | | | | |
|-----------|-------|-------|-------|-------|-------|-------|-------|
| R/W-0 | R/W-0 | R/W-0 | R/W-0 | R/W-0 | R/W-0 | R/W-0 | R/W-0 |
| PDCx<7:0> | | | | | | | |
| bit 7 | | | | | | | bit 0 |

Legend:

| | | |
|-------------------|------------------|--|
| R = Readable bit | W = Writable bit | U = Unimplemented bit, read as '0' |
| -n = Value at POR | '1' = Bit is set | '0' = Bit is cleared x = Bit is unknown |

bit 15-0 PWM Generator #x Duty Cycle Value bits⁽¹⁾

Note 1: The minimum value for this register is 0x0008 and the maximum value is 0xFFEF.

dsPIC30F1010/202X

REGISTER 12-7: PHASE_x: PWM PHASE-SHIFT REGISTER

| | | | | | | | |
|---------------------------|-------|-------|-------|-------|-------|-------|-------|
| R/W-0 | R/W-0 | R/W-0 | R/W-0 | R/W-0 | R/W-0 | R/W-0 | R/W-0 |
| PHASE _x <15:8> | | | | | | | |
| bit 15 | | | | | | | bit 8 |

| | | | | | | | |
|--------------------------|-------|-------|-------|-------|-------|-----|-------|
| R/W-0 | R/W-0 | R/W-0 | R/W-0 | R/W-0 | R/W-0 | U-0 | U-0 |
| PHASE _x <7:2> | | | | | | — | — |
| bit 7 | | | | | | | bit 0 |

Legend:

R = Readable bit W = Writable bit U = Unimplemented bit, read as '0'
 -n = Value at POR '1' = Bit is set '0' = Bit is cleared x = Bit is unknown

bit 15-2 **PHASE_x<15:2>**: PWM Phase-Shift Value or Independent Time Base Period for this PWM Generator bits

Note: If used as an independent time base, bits <3:2> are not used.

bit 1-0 **Unimplemented:** Read as '0'

REGISTER 12-8: DTR_x: PWM DEAD-TIME REGISTER

| | | | | | | | |
|--------|-----|-------------------------|-------|-------|-------|-------|-------|
| U-0 | U-0 | R/W-0 | R/W-0 | R/W-0 | R/W-0 | R/W-0 | R/W-0 |
| — | — | DTR _x <13:8> | | | | | |
| bit 15 | | | | | | | bit 8 |

| | | | | | | | |
|------------------------|-------|-------|-------|-------|-------|-----|-------|
| R/W-0 | R/W-0 | R/W-0 | R/W-0 | R/W-0 | R/W-0 | U-0 | U-0 |
| DTR _x <7:2> | | | | | | — | — |
| bit 7 | | | | | | | bit 0 |

Legend:

R = Readable bit W = Writable bit U = Unimplemented bit, read as '0'
 -n = Value at POR '1' = Bit is set '0' = Bit is cleared x = Bit is unknown

bit 15-14 **Unimplemented:** Read as '0'

bit 13-2 **DTR_x<13:2>**: Unsigned 12-bit Dead-Time Value bits for PWM_x Dead-Time Unit bits

bit 1-0 **Unimplemented:** Read as '0'

REGISTER 12-9: ALTDTRx: PWM ALTERNATE DEAD-TIME REGISTER

| | | | | | | | |
|--------|-----|---------------|-------|-------|-------|-------|-------|
| U-0 | U-0 | R/W-0 | R/W-0 | R/W-0 | R/W-0 | R/W-0 | R/W-0 |
| — | — | ALTDTRx<13:8> | | | | | |
| bit 15 | | | | | | | bit 8 |

| | | | | | | | |
|--------------|-------|-------|-------|-------|-------|-----|-------|
| R/W-0 | R/W-0 | R/W-0 | R/W-0 | R/W-0 | R/W-0 | U-0 | U-0 |
| ALTDTR <7:2> | | | | | | — | — |
| bit 7 | | | | | | | bit 0 |

Legend:

R = Readable bit W = Writable bit U = Unimplemented bit, read as '0'
 -n = Value at POR '1' = Bit is set '0' = Bit is cleared x = Bit is unknown

- bit 15-14 **Unimplemented:** Read as '0'
- bit 13-2 **ALTDTRx<13:2>:** Unsigned 12-bit Dead-Time Value bits for PWMx Dead-Time Unit bits
- bit 1-0 **Unimplemented:** Read as '0'

REGISTER 12-10: TRGCONx: PWM TRIGGER CONTROL REGISTER

| | | | | | | | |
|-------------|-------|-------|-----|-----|-----|-----|-------|
| R/W-0 | R/W-0 | R/W-0 | U-0 | U-0 | U-0 | U-0 | U-0 |
| TRGDIV<2:0> | | | — | — | — | — | — |
| bit 15 | | | | | | | bit 8 |

| | | | | | | | |
|-------|-----|--------------|-------|-------|-------|-------|-------|
| U-0 | U-0 | R/W-0 | R/W-0 | R/W-0 | R/W-0 | R/W-0 | R/W-0 |
| — | — | TRGSTRT<5:0> | | | | | |
| bit 7 | | | | | | | bit 0 |

Legend:

R = Readable bit W = Writable bit U = Unimplemented bit, read as '0'
 -n = Value at POR '1' = Bit is set '0' = Bit is cleared x = Bit is unknown

- bit 15-13 **TRGDIV<2:0>:** Trigger Output Divider bits
 - 000 = Trigger output for every trigger event
 - 001 = Trigger output for every 2nd trigger event
 - 010 = Trigger output for every 3rd trigger event
 - 011 = Trigger output for every 4th trigger event
 - 100 = Trigger output for every 5th trigger event
 - 101 = Trigger output for every 6th trigger event
 - 110 = Trigger output for every 7th trigger event
 - 111 = Trigger output for every 8th trigger event
- bit 12-6 **Unimplemented:** Read as '0'
- bit 5-0 **TRGSTRT<5:0>:** Trigger Postscaler Start Enable Select bits
 This value specifies the ROLL counter value needed for a match that will then enable the trigger postscaler logic to begin counting trigger events.

dsPIC30F1010/202X

REGISTER 12-11: IOCONx: PWM I/O CONTROL REGISTER

| | | | | | | | |
|--------|-------|-------|-------|-----------|-------|--------|--------|
| R/W-0 | R/W-0 | R/W-0 | R/W-0 | R/W-0 | R/W-0 | R/W-0 | R/W-0 |
| PENH | PENL | POLH | POLL | PMOD<1:0> | | OVRENH | OVRENL |
| bit 15 | | | | | | bit 8 | |

| | | | | | | | |
|-------------|-------|-------------|-------|------------|-------|-------|-------|
| R/W-0 | R/W-0 | R/W-0 | R/W-0 | R/W-0 | R/W-0 | U-0 | R/W-0 |
| OVRDAT<1:0> | | FLTDAT<1:0> | | CLDAT<1:0> | | — | OSYNC |
| bit 7 | | | | | | bit 0 | |

Legend:

R = Readable bit W = Writable bit U = Unimplemented bit, read as '0'
 -n = Value at POR '1' = Bit is set '0' = Bit is cleared x = Bit is unknown

- bit 15 **PENH:** PWMH Output Pin Ownership bit
 1 = PWM module controls PWMxH pin
 0 = GPIO module controls PWMxH pin
- bit 14 **PENL:** PWML Output Pin Ownership bit
 1 = PWM module controls PWMxL pin
 0 = GPIO module controls PWMxL pin
- bit 13 **POLH:** PWMH Output Pin Polarity bit
 1 = PWMxH pin is low active
 0 = PWMxH pin is high active
- bit 12 **POLL:** PWML Output Pin Polarity bit
 1 = PWMxL pin is low active
 0 = PWMxL pin is high active
- bit 11-10 **PMOD<1:0>:** PWM #x I/O Pin Mode bits
 00 = PWM I/O pin pair is in the Complementary Output mode
 01 = PWM I/O pin pair is in the Independent Output mode
 10 = PWM I/O pin pair is in the Push-Pull Output mode
 11 = Reserved
- bit 9 **OVRENH:** Override Enable for PWMxH Pin bit
 1 = OVRDAT<1> provides data for output on PWMxH pin
 0 = PWM generator provides data for PWMxH pin
- bit 8 **OVRENL:** Override Enable for PWMxL Pin bit
 1 = OVRDAT<0> provides data for output on PWMxL pin
 0 = PWM generator provides data for PWMxL pin
- bit 7-6 **OVRDAT<1:0>:** Data for PWMxH,L Pins if Override is Enabled bits
 If OVERENH = 1 then OVRDAT<1> provides data for PWMxH
 If OVERENL = 1 then OVRDAT<0> provides data for PWMxL
- bit 5-4 **FLTDAT<1:0>:** Data for PWMxH,L Pins if FLTMODE is Enabled bits
 If Fault active, then FLTDAT<1> provides data for PWMxH
 If Fault active, then FLTDAT<0> provides data for PWMxL
- bit 3-2 **CLDAT<1:0>:** Data for PWMxH,L Pins if CLMODE is Enabled bits
 If current limit active, then CLDAT<1> provides data for PWMxH
 If current limit active, then CLDAT<0> provides data for PWMxL
- bit 1 **Unimplemented:** Read as '0'
- bit 0 **OSYNC:** Output Override Synchronization bit
 1 = Output overrides via the OVRDAT<1:0> bits are synchronized to the PWM time base
 0 = Output overrides via the OVDDAT<1:0> bits occur on next clock boundary

REGISTER 12-12: FCLCONx: PWM FAULT CURRENT-LIMIT CONTROL REGISTER

| | | | | | | | |
|--------|-----|-----|------------|-------|-------|-------|-------|
| U-0 | U-0 | U-0 | R/W-0 | R/W-0 | R/W-0 | R/W-0 | R/W-0 |
| — | — | — | CLSRC<3:0> | | | | CLPOL |
| bit 15 | | | | | | | bit 8 |

| | | | | | | | |
|--------|-------------|-------|-------|-------|--------|-------------|-------|
| R/W-0 | R/W-0 | R/W-0 | R/W-0 | R/W-0 | R/W-0 | R/W-0 | R/W-0 |
| CLMODE | FLTSRC<3:0> | | | | FLTPOL | FLTMOD<1:0> | |
| bit 7 | | | | | | | bit 0 |

Legend:

| | | |
|-------------------|------------------|------------------------------------|
| R = Readable bit | W = Writable bit | U = Unimplemented bit, read as '0' |
| -n = Value at POR | '1' = Bit is set | '0' = Bit is cleared |
| | | x = Bit is unknown |

bit 15-13 **Unimplemented:** Read as '0'

bit 12-9 **CLSRC<3:0>:** Current-Limit Control Signal Source Select for PWM #X Generator bits

0000 = Analog Comparator #1
 0001 = Analog Comparator #2
 0010 = Analog Comparator #3
 0011 = Analog Comparator #4

0100 = Reserved
 0101 = Reserved
 0110 = Reserved
 0111 = Reserved

1000 = Shared Fault #1 (SFLT1)
 1001 = Shared Fault #2 (SFLT2)
 1020 = Shared Fault #3 (SFLT3)
 1011 = Shared Fault #4 (SFLT4)

1100 = Reserved
 1101 = Independent Fault #2 (IFLT2)
 1110 = Reserved
 1111 = Independent Fault #4 (IFLT4)

bit 8 **CLPOL:** Current-Limit Polarity for PWM Generator #X bit

1 = The selected current-limit source is low active
 0 = The selected current-limit source is high active

bit 7 **CLMODE:** Current-Limit Mode Enable for PWM Generator #X bit

1 = Current-limit function is enabled
 0 = Current-limit function is disabled

dsPIC30F1010/202X

REGISTER 12-12: FCLCONx: PWM FAULT CURRENT-LIMIT CONTROL REGISTER (CONTINUED)

- bit 6-3 **FLTSRC<3:0>**: Fault Control Signal Source Select for PWM Generator #X bits
- 0000 = Analog Comparator #1
 - 0001 = Analog Comparator #2
 - 0010 = Analog Comparator #3
 - 0011 = Analog Comparator #4

 - 0100 = Reserved
 - 0101 = Reserved
 - 0110 = Reserved
 - 0111 = Reserved

 - 1000 = Shared Fault #1 (SFLT1)
 - 1001 = Shared Fault #2 (SFLT2)
 - 1020 = Shared Fault #3 (SFLT3)
 - 1011 = Shared Fault #4 (SFLT4)

 - 1100 = Reserved
 - 1101 = Independent Fault #2 (IFLT2)
 - 1110 = Reserved
 - 1111 = Independent Fault #4 (IFLT4)
- bit 2 **FLTPOL**: Fault Polarity for PWM Generator #X bit
- 1 = The selected Fault source is low active
 - 0 = The selected Fault source is high active
- bit 1-0 **FLTMOD<1:0>**: Fault Mode for PWM Generator #x bits
- 00 = The selected Fault source forces PWMxH, PWMxL pins to FLTDAT values (latched condition)
 - 01 = The selected Fault source forces PWMxH, PWMxL pins to FLTDAT values (cycle)
 - 10 = Reserved
 - 11 = Fault input is disabled

REGISTER 12-13: TRIGx: PWM TRIGGER COMPARE VALUE REGISTER

| | | | | | | | |
|--------------|-------|-------|-------|-------|-------|-------|-------|
| R/W-0 | R/W-0 | R/W-0 | R/W-0 | R/W-0 | R/W-0 | R/W-0 | R/W-0 |
| TRGCMP<15:8> | | | | | | | |
| bit 15 | | | | | | | bit 8 |

| | | | | | | | |
|-------------|-------|-------|-------|-------|-----|-----|-------|
| R/W-0 | R/W-0 | R/W-0 | R/W-0 | R/W-0 | U-0 | U-0 | U-0 |
| TRGCMP<7:3> | | | | | — | — | — |
| bit 7 | | | | | | | bit 0 |

Legend:

| | | |
|-------------------|------------------|--|
| R = Readable bit | W = Writable bit | U = Unimplemented bit, read as '0' |
| -n = Value at POR | '1' = Bit is set | '0' = Bit is cleared x = Bit is unknown |

bit 15-3 **TRGCMP<15:3>**: Trigger Control Value bits⁽¹⁾
 Register contains the compare value for PWMx time base for generating a trigger to the ADC module for initiating a sample and conversion process, or generating a trigger interrupt.

bit 2-0 **Unimplemented**: Read as '0'

Note 1: The minimum usable value for this register is 0x0008
 A value of 0x0000 does not produce a trigger.
 If the TRIGx value is being calculated based on duty cycle value, you must ensure that a minimum TRIGx value is written into the register at all times.

dsPIC30F1010/202X

REGISTER 12-14: LEBCONx: LEADING EDGE BLANKING CONTROL REGISTER

| | | | | | | | |
|--------|-------|-------|-------|----------|---------|----------|-------|
| R/W-0 | R/W-0 | R/W-0 | R/W-0 | R/W-0 | R/W-0 | R/W-0 | R/W-0 |
| PHR | PHF | PLR | PLF | FLTLEBEN | CLLEBEN | LEB<9:8> | |
| bit 15 | | | | | | bit 8 | |

| | | | | | | | |
|----------|-------|-------|-------|-------|-----|-------|-----|
| R/W-0 | R/W-0 | R/W-0 | R/W-0 | R/W-0 | U-0 | U-0 | U-0 |
| LEB<7:3> | | | | | — | — | — |
| bit 7 | | | | | | bit 0 | |

Legend:

| | | |
|-------------------|------------------|------------------------------------|
| R = Readable bit | W = Writable bit | U = Unimplemented bit, read as '0' |
| -n = Value at POR | '1' = Bit is set | '0' = Bit is cleared |
| | | x = Bit is unknown |

- bit 15 **PHR:** PWMH Rising Edge Trigger Enable bit
1 = Rising edge of PWMH will trigger LEB counter
0 = LEB ignores rising edge of PWMH
- bit 14 **PHL:** PWMH Falling Edge Trigger Enable bit
1 = Falling edge of PWMH will trigger LEB counter
0 = LEB ignores falling edge of PWMH
- bit 13 **PLR:** PWML Rising Edge Trigger Enable bit
1 = Rising edge of PWML will trigger LEB counter
0 = LEB ignores rising edge of PWML
- bit 12 **PLF:** PWML Falling Edge Trigger Enable bit
1 = Falling edge of PWML will trigger LEB counter
0 = LEB ignores falling edge of PWML
- bit 11 **FLTLEBEN:** Fault Input Leading Edge Blanking Enable bit
1 = Leading Edge Blanking is applied to selected Fault Input
0 = Leading Edge Blanking is not applied to selected Fault Input
- bit 10 **CLLEBEN:** Current-Limit Leading Edge Blanking Enable bit
1 = Leading Edge Blanking is applied to selected Current-Limit Input
0 = Leading Edge Blanking is not applied to selected Current-Limit Input
- bit 9-3 **LEB:** Leading Edge Blanking for Current-Limit and Fault Inputs bits
Value is 8 nsec increments
- bit 2-0 **Unimplemented:** Read as '0'

12.4 Module Functionality

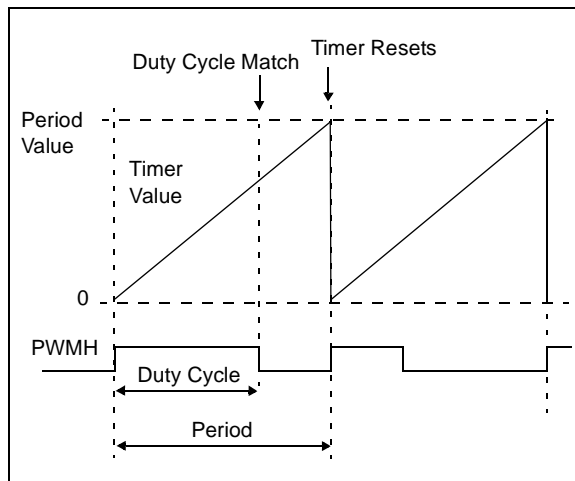
The PS PWM module is a very high-speed design that provides capabilities not found in other PWM generators. The module supports these PWM modes:

- Standard Edge-Aligned PWM mode
- Complementary PWM mode
- Push-Pull PWM mode
- Multi-Phase PWM mode
- Variable Phase PWM mode
- Current-Limit PWM mode
- Constant Off-time PWM mode
- Current Reset PWM mode
- Independent Time Base PWM mode

12.4.1 STANDARD EDGE-ALIGNED PWM MODE

Standard Edge-Aligned mode (Figure 12-3) is the basic PWM mode used by many power converter topologies such as “Buck”, “Boost” and “Forward”. To create the edge-aligned PWM, a timer/counter circuit counts upward from zero to a specified maximum value for the Period. Another register contains the value for Duty Cycle, which is constantly compared to the timer (Period) value. While the timer value is less than or equal to the duty cycle value, the PWM output signal is asserted. When the timer value exceeds the duty cycle value, the PWM signal is deasserted. When the timer is greater than the period value, the timer is reset, and the process repeats.

FIGURE 12-3: EDGE-ALIGNED PWM



12.4.2 COMPLEMENTARY PWM MODE

Complementary PWM is generated in a manner similar to standard Edge-Aligned PWM. Complementary mode provides a second PWM output signal on the PWML pin that is the complement of the primary PWM signal (PWMH). Complementary mode PWM is shown in Figure 12-4.

FIGURE 12-4: COMPLEMENTARY PWM



12.4.3 PUSH-PULL PWM MODE

The Push-Pull mode shown in Figure 12-5 is a version of the standard Edge-Aligned PWM mode where the active PWM signal is alternately outputted on one of two PWM pins. There is no complementary PWM output available. This mode is useful in transformer-based power converters. Transformer-based circuits must avoid any direct currents that will cause their cores to saturate. The Push-Pull mode ensures that the duty cycle of the two phases is identical, thus yielding a net DC bias of zero.

FIGURE 12-5: PUSH-PULL PWM

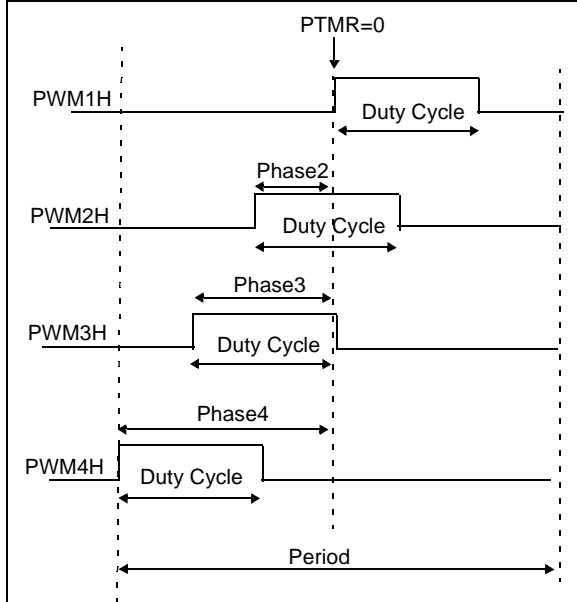


dsPIC30F1010/202X

12.4.4 MULTI-PHASE PWM MODE

Multi-Phase PWM, as shown in Figure 12-6, uses phase-shift values in the Phase registers to shift the PWM outputs relative to the primary time base. Because the phase-shift values are added to the primary time base, the phase-shifted outputs occur earlier than a PWM channel that specifies zero phase shift. In Multi-Phase mode, the specified phase shift is fixed by the application's design.

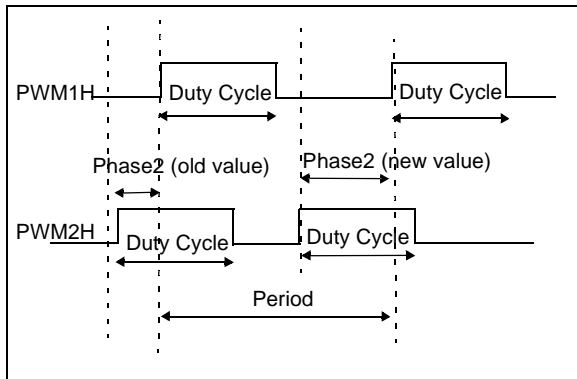
FIGURE 12-6: MULTI-PHASE PWM



12.4.5 VARIABLE PHASE PWM MODE

Figure 12-7 shows the waveforms for Variable Phase Shift PWM. Power-converter circuits constantly change the phase shift among PWM channels as a means to control the flow of power, in contrast to most PWM circuits that vary the duty cycle of PWM signals to control power flow. Often, in variable phase applications, the PWM duty cycle is maintained at 50%. The phase-shift value should be updated when the PWM signal is not asserted. Complementary outputs are available in Variable Phase-Shift mode.

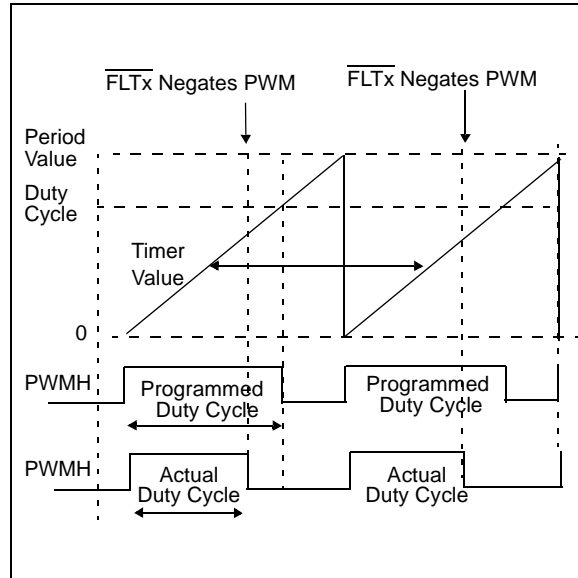
FIGURE 12-7: VARIABLE PHASE PWM



12.4.6 CURRENT-LIMIT PWM MODE

Figure 12-8 shows Cycle-by-Cycle Current-Limit mode. This mode truncates the asserted PWM signal when the selected external Fault signal is asserted. The PWM output values are specified by the Fault override bits (FLTDAT<1:0>) in the IOCONx register. The override output remains in effect until the beginning of the next PWM cycle. This mode is sometimes used in Power Factor Correction (PFC) circuits where the inductor current controls the PWM on time. This is a constant frequency PWM mode.

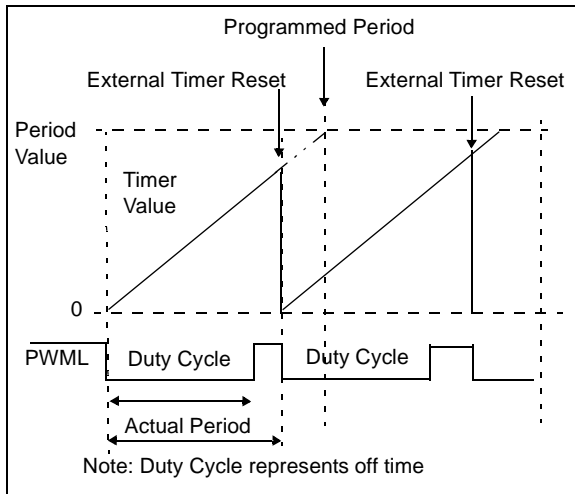
FIGURE 12-8: CYCLE-BY-CYCLE CURRENT-LIMIT PWM MODE



12.4.7 CONSTANT OFF-TIME PWM

Constant Off-Time mode is shown in Figure 12-9. Constant Off-Time PWM is a variable-frequency mode where the actual PWM period is less than or equal to the specified period value. The PWM time base is externally reset some time after the PWM signal duty cycle value has been reached, and the PWM signal has been deasserted. This mode is implemented by enabling the On-Time PWM mode (Current Reset mode) and using the complementary output.

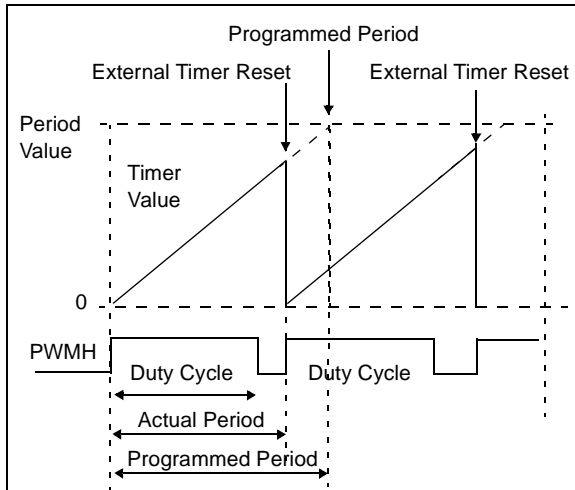
FIGURE 12-9: CONSTANT OFF-TIME PWM



12.4.8 CURRENT RESET PWM MODE

Current Reset PWM is shown in Figure 12-10. Current Reset PWM uses a Variable-Frequency mode where the actual PWM period is less than or equal to the specified period value. The PWM time base is externally reset some time after the PWM signal duty cycle value has been reached and the PWM signal has been deasserted. Current Reset PWM is a constant on-time PWM mode.

FIGURE 12-10: CURRENT RESET PWM

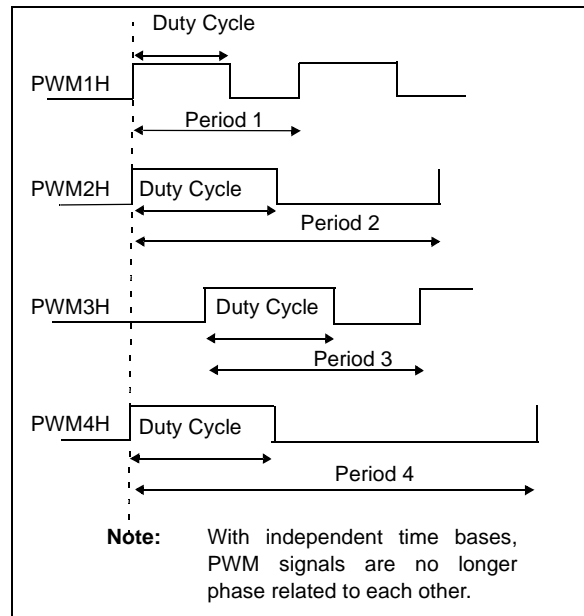


Typically, in the converter application, an energy storage inductor is charged with current while the PWM signal is asserted, and the inductor current is discharged by the load when the PWM signal is deasserted. In this application of current reset PWM, an external current measurement circuit determines when the inductor is discharged, and then generates a signal that the PWM module uses to reset the time base counter. In Current Reset mode, complementary outputs are available.

12.4.9 INDEPENDENT TIME BASE PWM

Independent Time Base PWM, as shown in Figure 12-11, is often used when the dsPIC DSC is controlling different power converter subcircuits such as the Power Factor Correction circuit, which may use 100 kHz PWM, and the full-bridge forward converter section may use 250 kHz PWM.

FIGURE 12-11: INDEPENDENT TIME BASE PWM



12.5 Primary PWM Time Base

There is a Primary Time Base (PTMR) counter for the entire PWM module. In addition, each PWM generator has an individual time base counter.

The PTMR determines when the individual time base counters are to update their duty cycle and phase-shift registers. The master time base is also responsible for generating the Special Event Triggers and timer-based interrupts. Figure 12-12 shows a block diagram of the primary time base logic.

FIGURE 12-12: PTMR BLOCK DIAGRAM



The primary time base may be reset by an external signal specified via the SYNCSRC<2:0> bits in the PTCON register. The external reset feature is enabled via the SYNCEN bit in the PTCON register. The primary time base reset feature supports synchronization of the primary time base with another SMPS dsPIC DSC device or other circuitry in the user's application. The primary time base logic also provides an output signal when a period match occurs that can be used to synchronize an external device such as another SMPS dsPIC DSC.

12.5.1 PTMR SYNCHRONIZATION

Because absolute synchronization is not possible, the user should program the time base period of the secondary (slave) device to be slightly larger than the primary device time base to ensure that the two time bases will reset at the same time.

12.6 Primary PWM Time Base Roll Counter

The primary time base has an additional 6-bit counter that counts the period matches of the primary time base. This ROLL counter enables the PWM generators to stagger their trigger events in time to the ADC module. This counter is not accessible for reading. Each PWM generator has six bits (TRGSTRT<5:0>) in the TRGCONx registers. These bits are used to specify the start enable for each TRIGx postscaler controlled by the TRGDIV<2:0> bits in the TRGCONx registers.

The TRGDIV bits specify how frequently a trigger pulse is generated, and the ROLL bits specify when the sequence begins. Once the TRIG postscaler is enabled, the ROLL bits and the TRGSTRT bits have no further effect until the PWM module is disabled and then reenabled.

The purpose of the ROLL counter and the TRGSTRT bits is to allow the user to spread the system work load over a series of PWM cycles.

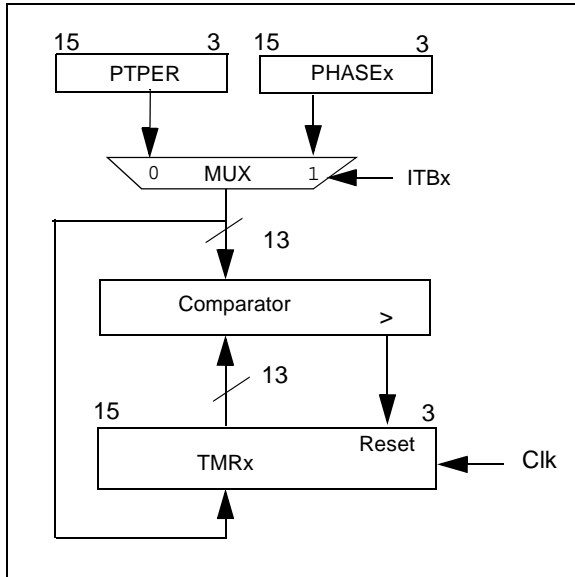
An additional use of the ROLL counter is to allow the internal FRC oscillator to be varied on a PWM cycle basis to reduce peak EMI emissions generated by switching transistors in the power conversion application.

The ROLL counter is cleared when the PWM module is disabled (PTEN = 0), and the TRIGx postscalers are disabled, requiring a new ROLL versus TRGSTRT match to begin counting again.

12.7 Individual PWM Time Base(s)

Each PWM generator also has its own PWM time base. Figure 12-13 shows a block diagram for the individual time base circuits. With a time base per PWM generator, the PWM module can generate PWM outputs that are phase shifted relative to each other, or totally independent of each other. The individual PWM timers (TMRx) provide the time base values that are compared to the duty cycle registers to create the PWM signals. The user may initialize these individual time base counters before or during operation via the phase-shift registers. The primary (PTMR) and the individual timers (TMRx) are not user readable.

FIGURE 12-13: TMRx BLOCK DIAGRAM



Normally, the Primary Time Base (PTMR) provides synchronization control to the individual timer/counters so they count in lock-step unison.

If the PWM phase-shift feature is used, then the PTMR provides the synchronization signal to each individual timer/counter that causes them to reinitialize with their individual phase-shift values.

If a PWM generator is operating in Independent Time Base mode, the individual timer/counters count upward until their count values match the value stored in their phase registers, then they reset and the cycle repeats.

The primary time base and the individual time bases are implemented as 13-bit counters. The timers/counters are clocked at 120 MHz @ 30 MIPS, which provides a frequency resolution of 8.4 nsec.

All of the timer/counters are enabled/disabled by setting/clearing the PTEN bit in the PTCON SFR. **The timers are cleared when the PTEN bit is cleared in software.**

The PTPER register sets the counting period for PTMR. The user must write a 13-bit value to PTPER<15:3>. When the value in PTMR<15:3> matches the value in PTPER<15:3>, the primary time base is reset to '0', and the individual time base counters are reinitialized to their phase values (except if in Independent Time Base mode).

12.8 PWM Period

PTPER holds the 13-bit value that specifies the counting period for the primary PWM time base. The timer period can be updated at any time by the user. The PWM period can be determined from the following formula:

$$\text{Period Duration} = (\text{PTPER} + 1) / 120 \text{ MHz @ 30 MIPS}$$

12.9 PWM Frequency and Duty Cycle Resolution

The PWM Duty cycle resolution is 1.05 nsec per LSB @ 30 MIPS. The PWM period resolution is 8.4 nsec @ 30 MIPS. Table 12-1 shows the duty cycle resolution versus PWM frequencies for 30 MIPS execution speed.

TABLE 12-1: AVAILABLE PWM FREQUENCIES AND RESOLUTIONS @ 30 MIPS

| MIPS | PWM Duty Cycle Resolution | PWM Frequency |
|------|---------------------------|---------------|
| 30 | 16 bits | 14.6 KHz |
| 30 | 15 bits | 29.3 KHz |
| 30 | 14 bits | 58.6 KHz |
| 30 | 13 bits | 117.2 KHz |
| 30 | 12 bits | 234.4 KHz |
| 30 | 11 bits | 468.9 KHz |
| 30 | 10 bits | 937.9 KHz |
| 30 | 9 bits | 1.87 MHz |
| 30 | 8 bits | 3.75 MHz |

TABLE 12-2: AVAILABLE PWM FREQUENCIES AND RESOLUTIONS @ 20 MIPS

| MIPS | PWM Duty Cycle Resolution | PWM Frequency |
|------|---------------------------|---------------|
| 20 | 14 bits | 39 KHz |
| 20 | 12 bits | 156 KHz |
| 20 | 10 bits | 624 KHz |
| 20 | 8 bits | 2.5 MHz |

Notice the reduction in available resolution for a given PWM frequency is due to the reduced clock rate and the fact that the LSB of duty cycle resolution is derived from a fixed-delay element. At operating frequencies below 30 MIPS, the contribution of the fixed-delay element to the output resolution becomes less than 1 LSB.

For frequency resonant mode power conversion applications, it is desirable to know the available PWM frequency resolution. The available frequency resolution varies with the PWM frequency. The PWM time base clocks at 120 MHz @ 30 MIPS. The following equation provides the frequency resolution versus PWM period:

$$\text{Frequency Resolution} = 120 \text{ MHz} / (\text{Period})$$

$$\text{where Period} = \text{PTPER} < 15:3 >$$

dsPIC30F1010/202X

12.10 PWM Duty Cycle Comparison Units

The PWM module has two to four PWM duty cycle generators. Three to five 16-bit special function registers are used to specify duty cycle values for the PWM module:

- MDC (Master Duty Cycle)
- PDC1, ..., PDC4 (Duty Cycle)

Each PWM generator has its own duty cycle register (PDCx), and there is a Master Duty Cycle (MDC) register. The MDC register can be used instead of individual duty cycle registers. The MDC register enables multiple PWM generators to share a common duty cycle register to reduce the CPU overhead required in updating multiple duty cycle registers. Multi-phase power converters are an application where the use of the MDC feature saves valuable processor time.

The value in each duty cycle register determines the amount of time that the PWM output is in the active state. The PWM time base counters are 13 bits wide and increment twice per instruction cycle. The PWM output is asserted when the timer/counter is less than or equal to the Most Significant 13 bits of the duty cycle register value. Each of the duty cycle registers allows a 16-bit duty cycle to be specified. The Least Significant 3 bits of the duty cycle registers are sent to additional logic for further adjustment of the PWM signal edge.

Figure 12-14 is a block diagram of a duty cycle comparison unit.

FIGURE 12-14: DUTY CYCLE COMPARISON



The duty cycle values can be updated at any time. The updated duty cycle values optionally can be held until the next rollover of the primary time base before becoming active.

12.11 Complementary PWM Outputs

Complementary PWM Output mode provides true and inverted PWM outputs on the pair of PWM output pins. The complement PWM signal is generated by inverting the active PWM signal. Complementary outputs are normally available with all of the different PWM modes except Push-Pull PWM and Independent PWM Output modes.

12.12 Independent PWM Outputs

Independent PWM Output mode simply replicates the active PWM output signal on both output pins associated with a PWM generator.

12.13 Duty Cycle Limits

The duty cycle generators are limited to the range of allowable values. A value of 0x0008 is the minimum duty cycle value that will produce an output pulse. This value represents 8.4 nsec at 30 MIPS. This minimum range limitation is not a problem in a real world application because of the slew-rate limitation of the PWM output buffers, external FET drivers, and the power transistors. The application control loop requires larger duty cycle values to achieve minimum transistor on times.

The maximum duty cycle value is also limited to 0xFFEF.

The user is responsible for limiting the duty cycle values to the allowable range of 0x0008 to 0xFFEF.

Note: A duty cycle of 0x0000 will produce a zero PWM output, and a 0xFFFF duty cycle value will produce a high on the PWM output.

12.14 Dead-Time Generation

Dead time refers to a programmable period of time, specified by the Dead-Time Register (DTR) or the ALT-DTR register, which prevent a PWM output from being asserted until its complementary PWM signal has been deasserted for the specified time. Figure 12-15 shows the insertion of dead time in a complementary pair of PWM outputs. Figure 12-16 shows the four dead-time units that each have their own dead-time value.

Dead-time generation can be provided when any of the PWM I/O pin pairs are operating in any output mode.

Many power-converter circuits require dead time because the power transistors cannot switch instantaneously. To prevent current “shoot-through” some amount of time must be provided between the turn-off event of one PWM output in a complementary pair and the turn-on event of the other transistor.

The PWM module can also provide negative dead time. Negative dead time is the forced overlap of the PWMH and PWML signals. There are certain converter techniques that require a limited amount of current “shoot-through”.

The dead-time feature can be disabled for each PWM generator. The dead-time functionality is controlled by the DTC<1:0> bits in the PWMCON register.

Note: If zero dead time is required, the dead time feature must be explicitly disabled in the DTC<1:0> bit in the PWMCON register

FIGURE 12-15: DEAD-TIME INSERTION FOR COMPLEMENTARY PWM

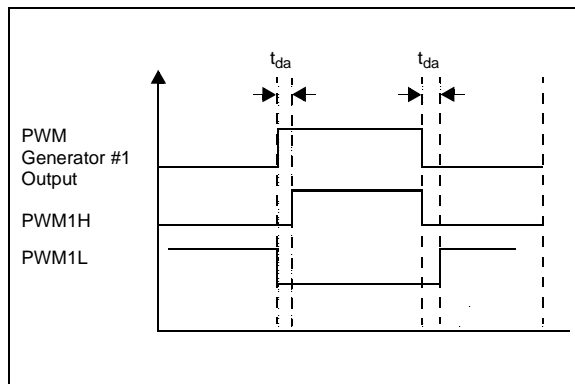
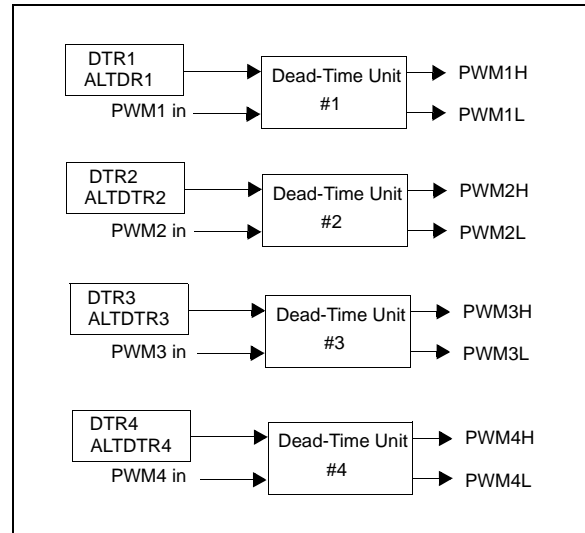


FIGURE 12-16: DEAD-TIME CONTROL UNITS BLOCK DIAGRAM



12.14.1 DEAD-TIME GENERATORS

Each complementary output pair for the PWM module has 12-bit down counters to produce the dead-time insertion. Each dead-time unit has a rising and falling edge detector connected to the duty cycle comparison output.

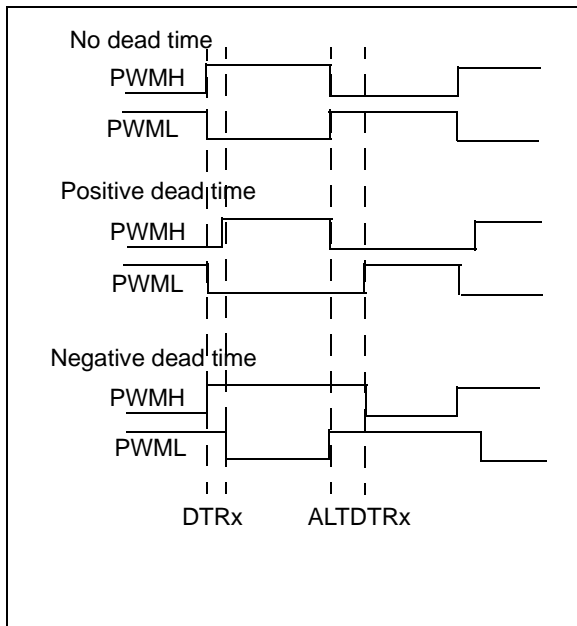
Depending on whether the edge is rising or falling, one of the transitions on the complementary outputs is delayed until the associated timer counts down to zero. A timing diagram indicating the dead-time insertion for one pair of PWM outputs is shown in Figure 12-15.

12.14.2 ALTERNATE DEAD-TIME SOURCE

The alternate dead time refers to the dead time specified by the ALTDTR register that is applied to the complementary PWM output. Figure 12-17 shows a dual dead-time insertion using the ALTDTR register.

dsPIC30F1010/202X

FIGURE 12-17: DUAL DEAD-TIME WAVEFORMS



12.14.3 DEAD-TIME RANGES

The amount of dead time provided by each dead-time unit is selected by specifying a 12-bit unsigned value in the DTRx registers. The 12-bit dead-time counters clock at four times the instruction execution rate. The Least Significant one bit of the dead-time value are processed by the Fine Adjust PWM module.

Table 12-3 shows example dead-time ranges as a function of the device operating frequency.

TABLE 12-3: EXAMPLE DEAD-TIME RANGES

| MIPS | Resolution | Dead-Time Range |
|------|------------|-------------------|
| 30 | 4.16 ns | 0-17.03 μ sec |
| 20 | 6.25 ns | 0-25.59 μ sec |

12.14.4 DEAD-TIME INSERTION TIMING

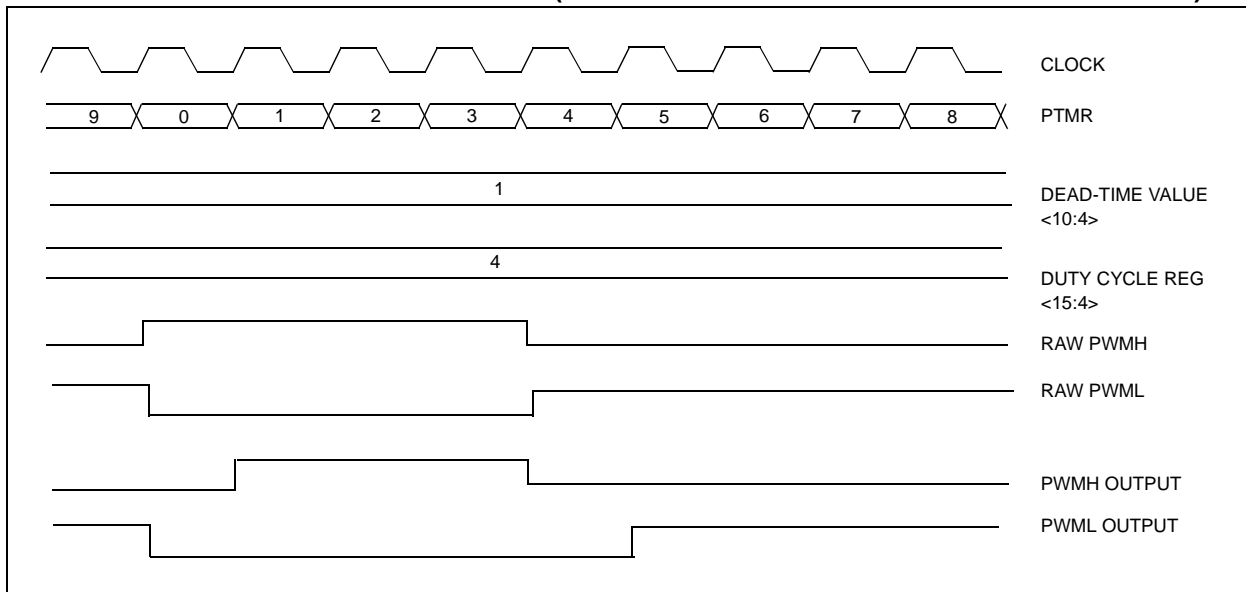
Figure 12-18 shows how the dead-time insertion for complementary signals is accomplished.

12.14.5 DEAD-TIME DISTORTION

For small PWM duty cycles, the ratio of dead time to the active PWM time may become large. In this case, the inserted dead time introduces distortion into waveforms produced by the PWM module. The user can ensure that dead-time distortion is minimized by keeping the PWM duty cycle at least three times larger than the dead time.

A similar effect occurs for duty cycles at or near 100%. The maximum duty cycle used in the application should be chosen such that the minimum inactive time of the signal is at least three times larger than the dead time.

FIGURE 12-18: DEAD-TIME INSERTION (PWM OUTPUT SIGNAL TIMING MAY BE DELAYED)



12.15 Configuring a PWM Channel

Example 12-1 is a code example for configuring PWM channel 1 to operate in complementary mode at 400 kHz, with a dead-time value of approximately 64 nsec. It is assumed that the dsPIC30F1010/202X is operating on the internal fast RC oscillator with PLL in the high-frequency range (14.55 MHz input to the PLL, assuming industrial temperature rated part).

12.16 Speed Limits of PWM Output Circuitry

The PWM output I/O buffers, and any attached circuits such as FET drivers and power FETs, have limited slew-rate capability. For very small PWM duty cycles, the PWM output signal is low-pass filtered; no pulse makes it through all of the circuitry.

A similar effect happens for duty cycle values near 100%. Before 100% duty cycle is reached, the output PWM signal appears to saturate at 100%.

Users need to take such behavior into account in their applications. In normal power conversion applications, duty cycle values near 0% or 100% are avoided because to reach these values is to operate in a Discontinuous mode or a Saturated mode where the control loop may be non functional.

12.17 PWM Special Event Trigger

The PWM module has a Special Event Trigger that allows A/D conversions to be synchronized to the PWM time base. The A/D sampling and conversion time can be programmed to occur at any point within the PWM period. The Special Event Trigger allows the user to minimize the delay between the time when A/D conversion results are acquired and the time when the duty cycle value is updated.

The Special Event Trigger is based on the primary PWM time base.

The PWM Special Event Trigger has one register (SEVTCMP) and four additional control bits (SEVTPS<3:0> in PTCN) to control its operation. The PTMR value that causes a Special Event Trigger is loaded into the SEVTCMP register.

12.17.1 SPECIAL EVENT TRIGGER ENABLE

The PWM module always produces Special Event Trigger pulses. This signal can optionally be used by the ADC module.

12.17.2 SPECIAL EVENT TRIGGER POSTSCALER

The PWM Special Event Trigger has a postscaler that allows a 1:1 to 1:16 postscale ratio. The postscaler is configured by writing the SEVTPS<3:0> control bits in the PTCN register.

The special event output postscaler is cleared on the following events:

- Any write to the SEVTCMP register.
- Any device reset.

12.18 Individual PWM Triggers

The PWM module also features an additional ADC trigger output for each PWM generator. This feature is very useful when the PWM generators are operating in Independent Time Base mode.

A block diagram of a trigger circuit is shown in Figure 12-19. The user specifies a match value in the TRIGx register. When the local time base counter value matches the TRIGx value, an ADC trigger signal is generated.

Trigger signals are always generated regardless of the TRIGx value as long as the TRIGx value is less than or equal to the PWM period value for the local time base. If the TRGIEN bit is set in the PWMCONx register, then an interrupt request is generated.

The individual trigger outputs can be divided per the TRGDIV<2:0> bits in the TRGCONx registers, which allows the trigger signals to the ADC to be generated once for every 1, 2, 3 ..., 7 trigger events.

The trigger divider allows the user to tailor the ADC sample rates to the requirements of the control loop.

dsPIC30F1010/202X

EXAMPLE 12-1: CODE EXAMPLE FOR CONFIGURING PWM CHANNEL 1

Note: This code example does not illustrate configuration of various fault modes for the PWM module. It is intended as a quick start guide for setting up the PWM Module.

```
mov #0x0400, w0          ; PWM Module is disabled, continue operation in
mov w0, PTCON           ; idle mode, special event interrupt disabled,
                        ; immediate period updates enabled, no external
                        ; synchronization

; Set the PWM Period
mov #0x094D, w0         ; Select period to be approximately 2.5usec
mov w0, PTPER          ; PLL Frequency is ~480MHz. This equates to a
                        ; clocke period of 2.1nsec. The PWM period and
                        ; duty cycle registers are triggered on both +ve
                        ; and -ve edges of the PLL clock. Therefore,
                        ; one count of the PTPER and PDCx registers
                        ; equals 1.05nsec.
                        ; So, to achieve a PWM period of 2.5usec, we
                        ; choose PTPER = 0x094D

mov #0x0000, w0        ; no phase shift for this PWM Channel
mov w0, PHASE1         ; This register is used for generating variable
                        ; phase PWM

; Select individual Duty Cycle Control
mov #0x0001, w0        ; Fault interrupt disabled, Current Limit
mov w0, PWMCON1        ; interrupt disabled, trigger interrupt,
                        ; disabled, Primary time base provides timing,
                        ; DC1 provides duty cycle information, positive
                        ; dead time applied, no external PWM reset,
                        ; Enable immediate duty cycle updates

; Code for PWM Current Limit and Fault Inputs
mov #0x0003, w0
mov w0, FCLCON1        ; Disable current limit and fault inputs

; Code for PWM Output Control
mov #0xC000, w0        ; PWM1H and PWM1L is controlled by PWM module
mov w0, IOCON1         ; Output polarities are active high, override
                        ; disabled

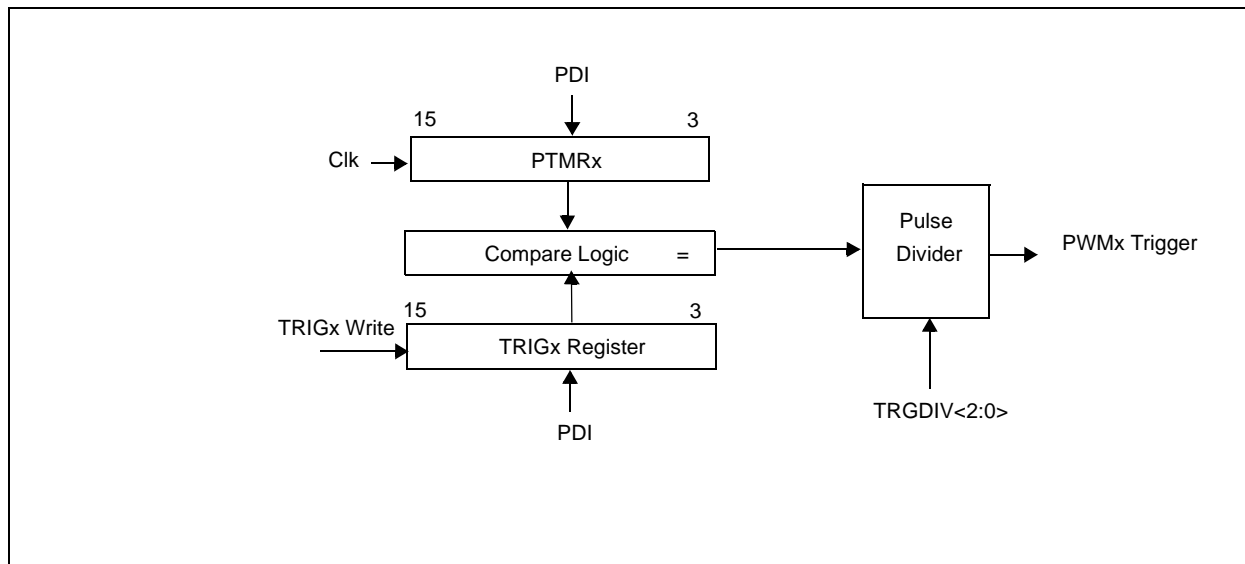
; Duty Cycle Setting
mov #0x04A6, w0        ; To achieve a duty cycle of 50%, we choose
mov w0, PDC1           ; the PDC1 value = 0.5*(PWM Period)
                        ; The ON time for the PWM = 1.25usec
                        ; The Duty Cycle Register will provide
                        ; positive duty cycle to the PWMxH outputs
                        ; when output polarities are active high
                        ; (see IOCON1 register)

; Dead Time Setting
mov #0x0040, w0        ; Dead time ~ 67nsec
mov w0, DTR1           ; Hex(40) = decimal(64)
                        ; So, Dead time = 64*1.05nsec = 67.2nsec
                        ; Note that the last 2 bits are unimplemented,
                        ; therefore the dead time register can achieve a
                        ; a resolution of about 4nsec.

mov w0, ALTDTR1        ; Load the same value in ALTDTR1 register

bset PTCON, #15        ; turn ON PWM module
```

FIGURE 12-19: PWM TRIGGER BLOCK DIAGRAM



12.19 PWM Interrupts

The PWM module can generate interrupts based on internal timing or based on external signals via the current-limit and Fault inputs. The primary time base module can generate an interrupt request when a special event occurs. Each PWM generator module has its own interrupt request signal to the interrupt controller. The interrupt for each PWM generator is an OR of the trigger event interrupt request, the current-limit input event or the Fault input event for that module.

There are four interrupt request signals to the interrupt control plus another interrupt request from the primary time base on special events.

12.20 PWM Time Base Interrupts

The PWM module can generate interrupts based on the primary time base and/or the individual time bases in each PWM generator. The interrupt timing is specified by the Special Event Comparison Register (SEVTCMP) for the primary time base, and by the TRIGx registers for the individual time bases in the PWM generator modules.

The primary time base special event interrupt is enabled via the SEIEN bit in the PTCN register. The individual time base interrupts generated by the trigger logic in each PWM generator are controlled by the TRGIEN bit in the PWMCONx registers.

12.21 PWM Fault and Current-Limit Pins

The PWM module supports multiple Fault pins for each PWM generator. These pins are labeled SFLT_x (Shared Fault) or IFLT_x (Individual Fault). The Shared Fault pins can be seen and used by any of the PWM generators. The Individual Fault pins are usable by specific PWM generators.

Each PWM generator can have one pin for use as a cycle-by-cycle current limit, and another pin for use as either a cycle-by-cycle current limit or a latching current Fault disable function.

12.22 Leading Edge Blanking

Each PWM generator supports “Leading Edge Blanking” of the current-limit and Fault inputs via the LEB<9:3> bits and the PHR, PHF, PLR, PLF, FLTLEBEN and CLLEBEN bits in the LEBCONx registers. The purpose of leading edge blanking is to mask the transients that occur on the application printed circuit board when the power transistors are turned on and off.

The LEB bits support the blanking (ignoring) of the current-limit and Fault inputs for a period of 0 to 1024 nsec in 8.4 nsec increments following any specified rising or falling edge of the coarse PWM_H and PWM_L signals. The coarse PWM signal (signal prior to the PWM fine tuning) has resolution of 8.4 nsec (at 30 MIPS), which is the same time resolution as the LEB counters.

The PHR, PHF, PLR and PLF bits select which edge of the PWM_H and PLWL signals will start the blanking timer. If a new selected edge triggers the LEB timer while the timer is still active from a previously selected PWM edge, the timer reinitializes and continues counting.

dsPIC30F1010/202X

The FLTLEBEN and CLLEBEN bits enable the application of the blanking period to the selected Fault and current-limit inputs.

The LEB duration @ 30 MIPS = $(LEB<9:3> + 1)/120 \text{ MHz}$.

There is a blanking period offset of 8.4 nsec. Therefore a LEB<9:3> value of zero yields an effective blanking period of 8.4 ns.

If a current-limit or Fault inputs are active at the end of the previous PWM cycle, and they are still active at the start of the new PWM cycle and the dead time is non-zero, the Fault or current limit will be detected regardless of the LEB counter configuration.

12.23 PWM Fault Pins

Each PWM generator can select its own Fault input source from a selection of up to 12 Fault/current-limit pins. In the FCLCONx registers, each PWM generator has control bits that specify the source for its Fault input signal. These are the FLTSRC<3:0> bits. Additionally, each PWM generator has a FLTIEEN bit in the PWMCONx register that enables the generation of Fault interrupt requests. Each PWM generator has an associated Fault Polarity bit (FLTPOL) in the FCLCONx register that selects the active level of the selected Fault input.

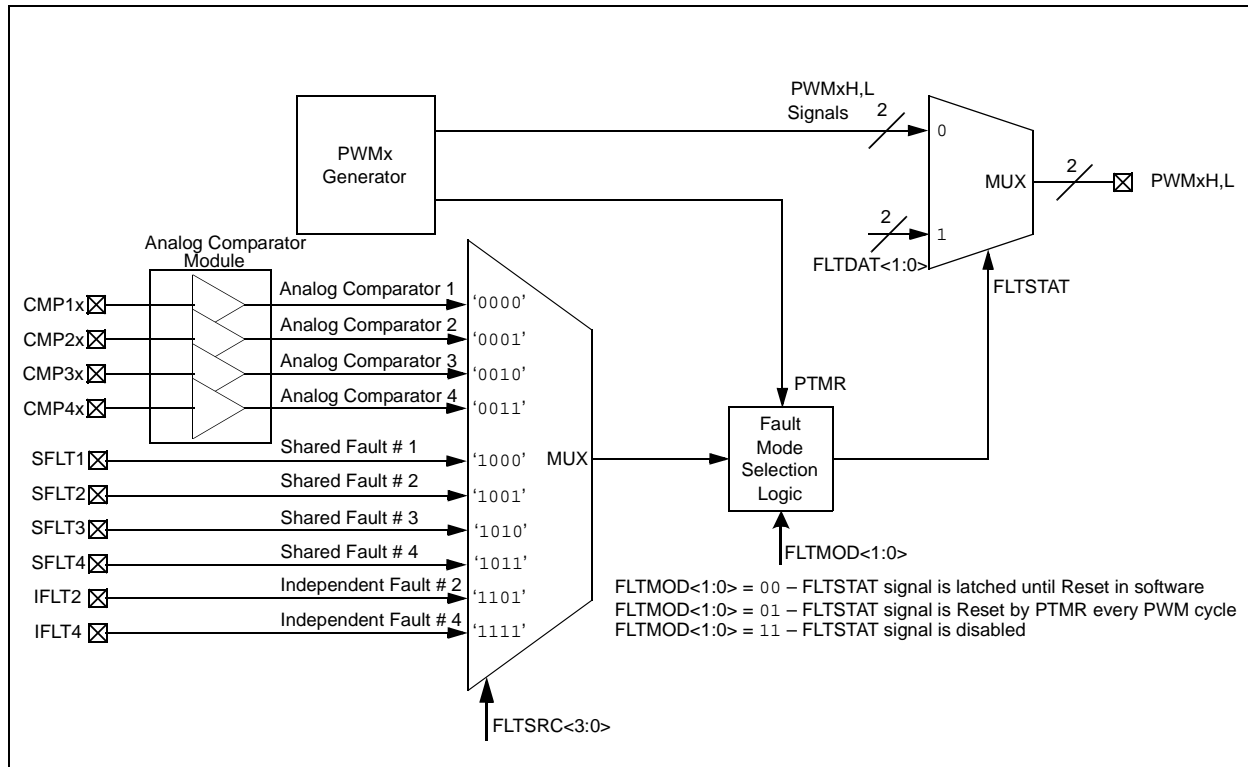
The Fault pins actually serve two different purposes. First is generation of Fault overrides for the PWM outputs. The action of overriding the PWM outputs and generating an interrupt is performed asynchronously in hardware so that Fault events can be managed quickly. Second, the Fault pin inputs can be used to implement either Current-Limit PWM mode or Current Force mode.

PWM Fault condition states are available on the FLTSTAT bit in the PWMCONx registers. The FLTSTAT bits displays the Fault IRQ latch if the FIE bit is set. If Fault interrupts are not enabled, then the FSTATx bits display the status of the selected FLTx input in positive logic format. When the Fault input pins are not used in association with a PWM generator, these pins become general purpose I/O or interrupt input pins.

The FLTx pins are normally active high. The FLTPOL bit in FCLCONx registers, if set to one, invert the selected Fault input signal so that it is an active low.

The Fault pins are also readable through the PORT I/O logic when the PWM module is enabled. This allows the user to poll the state of the Fault pins in software. Figure 12-20 is a diagram of the PWM Fault control logic.

FIGURE 12-20: PWM FAULT CONTROL LOGIC DIAGRAM



12.23.1 FAULT INTERRUPTS

The FLTIENx bits in the PWMCONx registers determine if an interrupt will be generated when the FLT_x input is asserted high. The FLT_{MOD} bits in the FCLCONx register determines how the PWM generator and its outputs respond to the selected Fault input pin. The FLT_{DAT}<1:0> bits in the IOCONx registers supply the data values to be assigned to the PWM_{xH,L} pins in the advent of a Fault.

The Fault pin logic can operate separately from the PWM logic as an external interrupt pin. If the faults are disabled from affecting the PWM generators in the FCLCONx register, then the Fault pin can be used as a general purpose interrupt pin.

12.23.2 FAULT STATES

The IOCONx register has two bits that determine the state of each PWM_x I/O pin when they are overridden by a Fault input. When these bits are cleared, the PWM I/O pin is driven to the inactive state. If the bit is set, the PWM I/O pin is driven to the active state. The active and inactive states are referenced to the polarity defined for each PWM I/O pin (HPOL and LPOL polarity control bits).

12.23.3 FAULT INPUT MODES

The Fault input pin has two modes of operation:

- **Latched Mode:** When the Fault pin is asserted, the PWM outputs go to the states defined in the FLT_{DAT} bits in the IOCONx registers. The PWM outputs remain in this state until the Fault pin is deasserted AND the corresponding interrupt flag has been cleared in software. When both of these actions have occurred, the PWM outputs return to normal operation at the beginning of the next PWM cycle boundary. If the FLT_{STAT} bit is cleared before the Fault condition ends, the PWM module waits until the Fault pin is no longer asserted to restore the outputs. Software can clear the FLT_{STAT} bit by writing a zero to the FLTIEN bit.
- **Cycle-by-Cycle Mode:** When the Fault input pin is asserted, the PWM outputs remain in the deasserted PWM state for as long as the Fault pin is asserted. For Complementary Output modes, PWM_H is low (deasserted) and PWM_L is high (asserted). After the Fault pin is driven high, the PWM outputs return to normal operation at the beginning of the following PWM cycle.

The operating mode for each Fault input pin is selected using the FLT_{MOD}<1:0> control bits in the FCLCONx register.

12.23.4 FAULT ENTRY

The response of the PWM pins to the Fault input pins is always asynchronous with respect to the device clock signals. That is, the PWM outputs should immediately go to the states defined in the FLT_{DAT} register bits without any interaction from the dsPIC DSC device or software.

Refer to **Section 12.28 “Fault and Current-Limit Override Issues with Dead-Time Logic”** for information regarding data sensitivity and behavior in response to current-limit or Fault events.

12.23.5 FAULT EXIT

The restoration of the PWM signals after a Fault condition has ended must occur at a PWM cycle boundary to ensure proper synchronization of PWM signal edges and manual signal overrides. The next PWM cycle begins when the PTMR_x value is zero.

12.23.6 FAULT EXIT WITH PTMR DISABLED

There is a special case for exiting a Fault condition when the PWM time base is disabled (PTEN = 0). When a Fault input is programmed for Cycle-by-Cycle mode, the PWM outputs are immediately restored to normal operation when the Fault input pin is deasserted. The PWM outputs should return to their default programmed values. (The time base is disabled, so there is no reason to wait for the beginning of the next PWM cycle.)

When a Fault input is programmed for Latched mode, the PWM outputs are restored immediately when the Fault input pin is deasserted AND the F_{STAT} bit has been cleared in software.

12.23.7 FAULT PIN SOFTWARE CONTROL

The Fault pin can be controlled manually in software. Since the Fault input is shared with a PORT I/O pin, the PORT pin can be configured as an output by clearing the corresponding TRIS bit. When the PORT bit for the pin is cleared, the Fault input will be activated.

Note: The user should use caution when controlling the Fault inputs in software. If the TRIS bit for the Fault pin is cleared and the PORT bit is set high, then the Fault input cannot be driven externally.

12.24 PWM Current-Limit Pins

Each PWM generator can select its own current-limit input source from up to 12 current-limit/Fault pins. In the FCLCONx registers, each PWM generator has control bits (CLSRC<3:0>) that specify the source for its current-limit input signal. Additionally, each PWM generator has a CLIEN bit in the PWMCONx register that enables the generation of current-limit interrupt requests. Each PWM generator has an associated Fault polarity bit CLPOL in the FCLCONx register. Figure 12-21 is a diagram of the PWM Current-Limit control logic.

The current-limit pins actually serve two different purposes. They can be used to implement either Current-Limit PWM mode or Current Reset PWM mode.

1. When the CLIEN bit is set in the PWMCONx registers, the PWMxH,L outputs are forced to the values specified by the CLDAT<1:0> bits in the IOCONx register, if the selected current-limit input signal is asserted.
2. When the CLMOD bit is zero AND the XPRES bit in the PWMCONx register is '01' AND the PWM generator is in Independent Time Base mode (ITB = 1), then a current-limit signal resets the time base for the affected PWM generator. This behavior is called Current Reset mode, which is used in some Power Factor Correction (PFC) applications.

12.24.1 CURRENT-LIMIT INTERRUPTS

The state of the PWM current-limit conditions is available on the CLSTAT bits in the PWMCONx registers. The CLSTAT bits display the current-limit IRQ flag if the CLIEN bit is set. If current-limit interrupts are not enabled, then the CLSTAT bits display the status of the selected current-limit inputs in positive logic format. When the current-limit input pin associated with a PWM generator is not used, these pins become general purpose I/O or interrupt input pins.

The current-limit pins are normally active high. If set to '1', the CLPOL bit in FCLCONx registers inverts the selected current-limit input signal to active high.

The interrupts generated by the selected current-limit signals are combined to create a single interrupt request signal to the interrupt controller, which has its own interrupt vector, interrupt flag bit, interrupt enable bit and interrupt priority bits associated with it.

The Fault pins are also readable through the PORT I/O logic when the PWM module is enabled. This allows the user to poll the state of the Fault pins in software.

FIGURE 12-21: PWM CURRENT-LIMIT CONTROL LOGIC DIAGRAM



12.25 Simultaneous PWM Faults and Current Limits

The current-limit override function, if enabled and active, forces the PWMxH,L pins to the values specified by the CLDAT<1:0> bits in the IOCONx registers UNLESS the Fault function is enabled and active. If the selected Fault input is active, the PWMxH,L outputs assume the values specified by the FLTDAT<1:0> bits in the IOCONx registers.

12.26 PWM Fault and Current-Limit TRG Outputs To ADC

The Fault and current-limit source selection fields in the FCLCONx registers (FLTSRC<3:0> and CLSRC<3:0>) control multiplexers in each PWM generator module. The control multiplexers select the desired Fault and current-limit signals for their respective modules. The selected Fault and current-limit signals are also available to the ADC module as trigger signals that initiate ADC sampling and conversion operations.

12.27 PWM Output Override Priority

If the PWM module is enabled, the priority of PWMx pin ownership is:

1. PWM Generator (lowest priority)
2. Output Override
3. Current-Limit Override
4. Fault Override
5. PENx (GPIO/PWM) ownership (highest priority)

If the PWM module is disabled, the GPIO module controls the PWMx pins.

12.28 Fault and Current-Limit Override Issues with Dead-Time Logic

The PWMxH and PWMxL outputs are immediately driven low (deasserted) as specified by the CLDAT<1:0> and the FLTDAT<1:0> bits when a current-limit or a Fault event occurs.

The override data is gated with the PWM signals going into the dead-time logic block, and at the output of the PWM module, just ahead of the PWM pin output buffers.

Many applications require fast response to current shutdown for accurate current control and/or to limit circuitry damage to Fault currents.

Some applications will set the complementary PWM outputs high in synchronous rectifier designs when a Fault or current-limit event occurs. If the CLDAT or FLTDAT bits are set to '1', and their associated event occurs, then these asserted outputs will be delayed by clocked logic in the dead-time circuitry.

12.29 Asserting Outputs via Current Limit

It is possible to use the CLDAT bits to assert the PWMxH,L outputs in response to a current-limit event. Such behavior could be used as a current “force” feature in response to an external current or voltage measurement that indicates a sudden sharp increase in the load on the power-converter output. Forcing the PWM “ON” could be viewed as a “Feed-Forward” term that allows quick system response to unexpected load increases without waiting for the digital control loop to respond.

12.30 PWM Immediate Update

For high-performance PWM control-loop applications, the user may want to force the duty cycle updates to occur immediately. Setting the IUE bit in the PWMCONx register enables this feature.

In a closed-loop control application, any delay between the sensing of a system's state and the subsequent outputting of PWM control signals that drive the application reduces the loop stability. Setting the IUE bit minimizes the delay between writing the duty cycle registers and the response of the PWM generators to that change.

12.31 PWM Output Override

All control bits associated with the PWM output override function are contained in the IOCONx register. If the PENH, PENL bits are set, the PWM module controls the PWMx output pins.

The PWM output override bits allow the user to manually drive the PWM I/O pins to specified logic states independent of the duty cycle comparison units.

The OVRDAT<1:0> bits in the IOCONx register determine the state of the PWM I/O pins when a particular output is overridden via the OVRENH,L bits.

The OVRENH, OVRENL bits are active high control bits. When the OVREN bits are set, the corresponding OVRDAT bit overrides the PWM output from the PWM generator.

12.31.1 COMPLEMENTARY OUTPUT MODE

When the PWM is in Complementary Output mode, the dead-time generator is still active with overrides. The output overrides and Fault overrides generate control signals used by the dead-time unit to set the outputs as requested, including dead time.

Dead-time insertion can be performed when PWM channels are overridden manually.

dsPIC30F1010/202X

12.31.2 OVERRIDE SYNCHRONIZATION

If the OSYNC bit in the IOCONx register is set, the output overrides performed via the OVRENH,L and the OVDDAT<1:0> bits are synchronized to the PWM time base. Synchronous output overrides occur when the time base is zero.

If PTEN = 0, meaning the timer is not running, writes to IOCON take effect on the next Tcy boundary.

12.32 Functional Exceptions

12.32.1 POWER RESET CONDITIONS

All registers associated with the PWM module are reset to the states given in Table 12-4 upon a Power-on Reset. On a device reset, the PWM output pins are tri-stated.

12.32.2 SLEEP MODE

The selected Fault input pin has the ability to wake the CPU from Sleep mode. The PWM module should generate an asynchronous interrupt if any of the selected Fault pins is driven low while in Sleep.

It is recommended that the user disable the PWM outputs prior to entering Sleep mode. If the PWM module is controlling a power conversion application, the action of putting the device into Sleep will cause any control loops to be disabled, and most applications will likely experience issues unless they are explicitly designed to operate in an Open-Loop mode.

12.32.3 CPU IDLE MODE

The dsPIC30F202X module has a PTSIDL control bit in the PTCN register. This bit determines if the PWM module continues to operate or stops when the device enters Idle mode. Stopped Idle mode functions like Sleep mode, and Fault pins are asynchronously active.

- PTSIDL = 1 (Stop module when in Idle mode)
- PTSIDL = 0 (Don't stop module when in Idle mode)

It is recommended that the user disable the PWM outputs prior to entering Idle mode. If the PWM module is controlling a power-conversion application, the action of putting the device into Idle will cause any control loops to be disabled, and most applications will likely experience issues unless they are explicitly designed to operate in an Open-Loop mode.

12.33 Register Bit Alignment

Table 12-4 on page 142 shows the registers for the PS PWM module. All time-based data for the module is always bit-aligned with respect to time. For example: bit 3 in the period register, the duty cycle registers, the dead-time registers, the trigger registers and the phase registers always represents a value of 8.4 nsec, assuming 30 MIPS operation. Unused portions of registers always read as zeros.

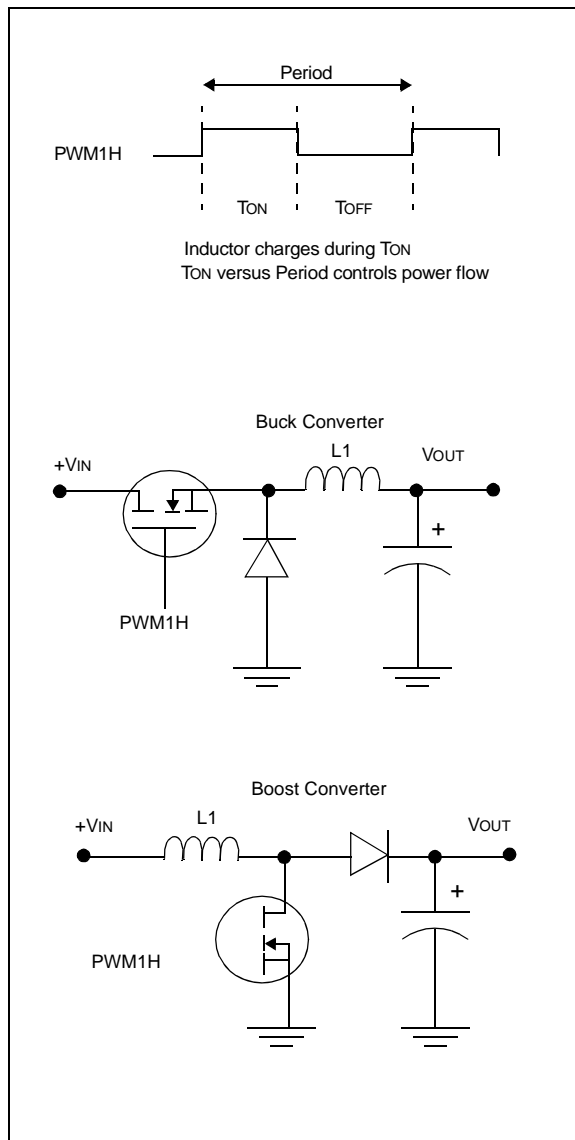
The use of data alignment makes it easier to write software because it eliminates the need to shift time values to fit into registers. It also eases the computation and understanding of time allotment within a PWM cycle.

12.34 APPLICATION EXAMPLES:

12.34.1 STANDARD PWM MODE

In standard PWM mode, the PWM output is typically connected to a single transistor, which charges an inductor, as shown in Figure 12-22. Buck and Boost converters typically use standard PWM mode.

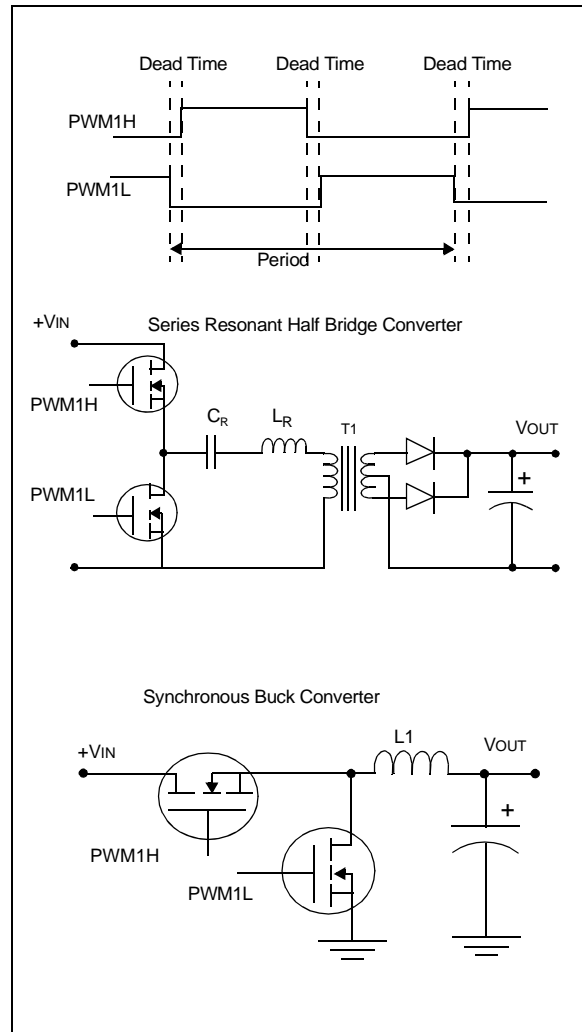
FIGURE 12-22: APPLICATIONS OF STANDARD PWM MODE



12.34.2 APPLICATION OF COMPLEMENTARY PWM MODE

Complementary mode PWM is often used in circuits that use two transistors in a bridge configuration where transformers are not used, as shown in Figure 12-23. If transformers are used, then some means must be provided to ensure that no net DC currents flow through the transformer to prevent core saturation.

FIGURE 12-23: APPLICATIONS OF COMPLEMENTARY PWM MODE

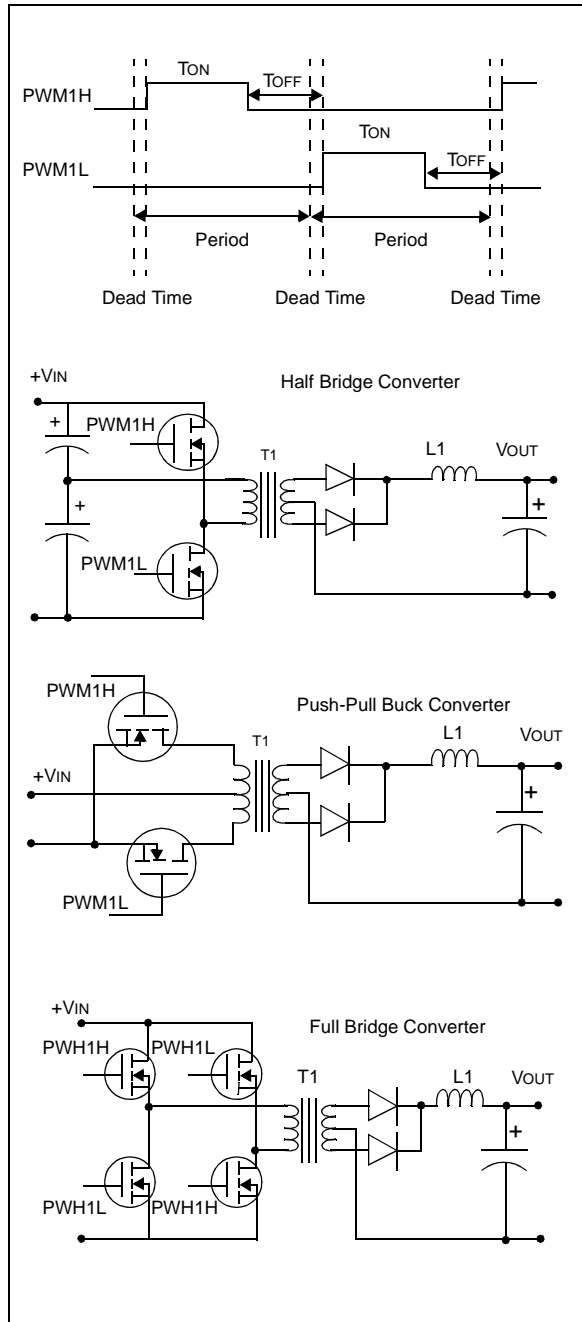


dsPIC30F1010/202X

12.34.3 APPLICATION OF PUSH-PULL PWM MODE

Push-Pull PWM mode is typically used in transformer coupled circuits to ensure that no net DC currents flow through the transformer. Push-Pull mode ensures that the same duty cycle PWM pulse is applied to the transformer windings in alternate directions, as shown in Figure 12-24.

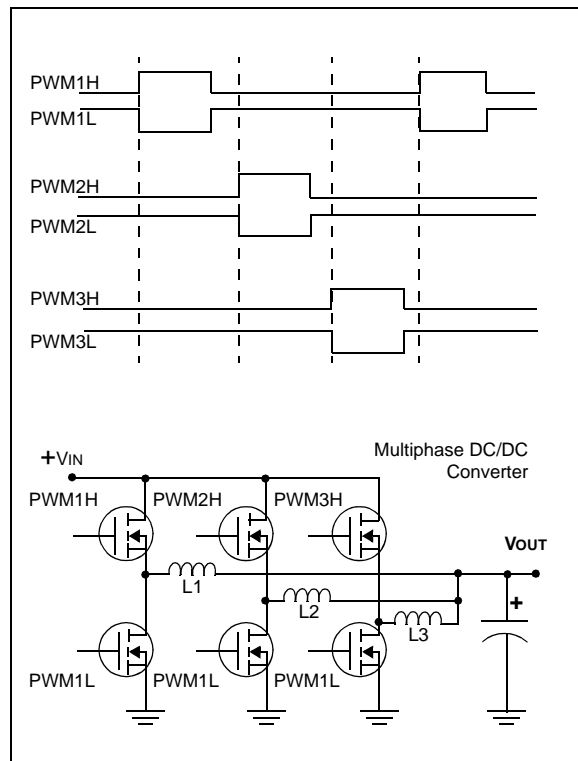
FIGURE 12-24: APPLICATIONS OF PUSH-PULL PWM MODE



12.34.4 APPLICATION OF MULTI-PHASE PWM MODE

Multi-Phase PWM mode is often used in DC/DC converters that must handle very fast load current transients and fit into tight spaces. A multi-phase converter is essentially a parallel array of buck converters that are operated slightly out of phase of each other, as shown in Figure 12-25. The multiple phases create an effective switching speed equal to the sum of the individual converters. If a single phase is operating with a 333 KHz PWM frequency, then the effective switching frequency for the circuit is 1 MHz. This high switching frequency greatly reduces output capacitor size requirements and improves load transient response.

FIGURE 12-25: APPLICATIONS OF MULTI-PHASE PWM MODE

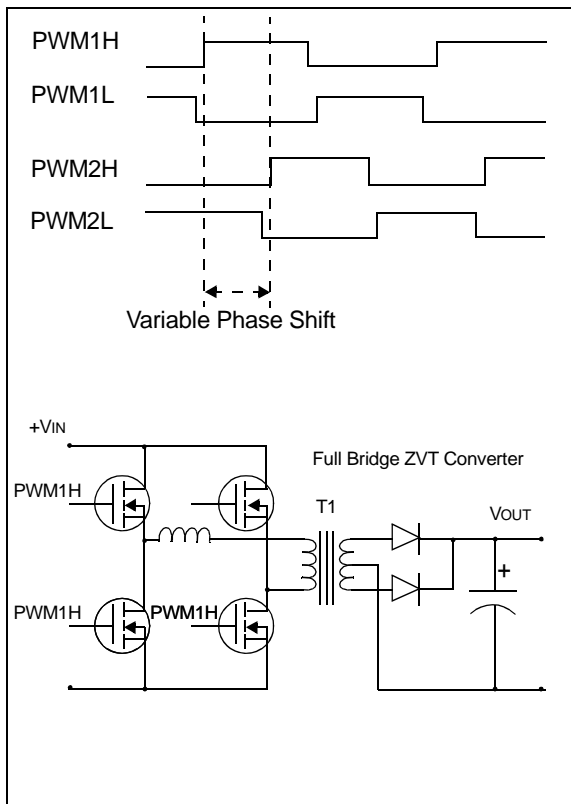


12.34.5 APPLICATION OF VARIABLE PHASE PWM MODE

Variable phase PWM is used in newer power conversion topologies that are designed to reduce switching losses. In standard PWM methods, any time a transistor switches between the conducting state and the nonconducting state (and vice versa), the transistor is exposed to the full current and voltage condition for the period of time it takes the transistor to turn on or off. The power loss ($V * I * T_{sw} * FPWM$) becomes appreciable at high frequencies. The Zero Voltage Switching (ZVS) and Zero Current Switching (ZVC) circuit topologies attempt to use quasi-resonant techniques to shift either the voltage or current waveforms relative to each other. This action either makes the voltage or the current zero at the time the transistor turns on or off. If either the current or the voltage is zero, then there is no switching loss generated.

In variable phase PWM modes, the duty cycle is fixed at 50%, and the power flow is controlled by varying the phase relationship between the PWM channels, as shown in Figure 12-26.

FIGURE 12-26: APPLICATION OF VARIABLE PHASE PWM MODE



12.34.6 APPLICATION OF CURRENT RESET PWM MODE

In Current Reset PWM mode, the PWM frequency varies with the load current. This mode is different than most PWM modes because the user sets the maximum PWM period, but an external circuit measures the inductor current. When the inductor current falls below a specified value, the external current comparator circuit generates a signal that resets the PWM time base counter. The user specifies a PWM "on" time, and then some time after the PWM signal becomes inactive, the inductor current falls below a specified value and the PWM counter is reset earlier than the programmed PWM period. This mode is sometimes called Constant On-Time.

This mode should not be confused with cycle-by-cycle current-limiting PWM, where the PWM is asserted, an external circuit generates a current Fault and the PWM signal is turned off before its programmed duty cycle would normally turn it off. In this mode, shown in Figure 12-27, the PWM frequency is fixed per the time base period.

FIGURE 12-27: APPLICATION OF CURRENT RESET PWM MODE



12.35 METHODS TO REDUCE EMI

The goal is to move the PWM edges around in time to spread the EMI energy over a range of frequencies to reduce the peak energy at any given frequency during the EMI measurement process, which measures long term averages.

The EMI measurement process integrates the EMI energy into 9 kHz wide frequency bins. Assuming that the carrier (PWM) frequency is 150 kHz, a 6% dither will yield a 9 kHz wide dither.

12.35.1 METHOD #1: PROGRAMMABLE FRC DITHER

This method dithers all of the PWM outputs and the system clock. The advantage of this method is that no CPU resources are required. It is automatic once it is setup. The user can periodically update these values to simulate a more random frequency pattern.

12.35.2 METHOD #2: SOFTWARE CONTROLLED DITHER

This method uses software to dither individual PWM channels by scaling the duty cycle and period. This method consumes CPU resources:

Assume:

4 PWM channels updated @ 150 kHz rate:
600 kHz x (5 clocks (2 mul, 1 tblrdl, 1 mov))
= 3 MIPS additional work load

12.35.3 METHOD #3: SOFTWARE SCALING OF TIME BASE PERIOD

This method used software to scale just the time base period. Assuming that the dither rate is relatively slow (about 250 Hz), the application control loop should be able to compensate for the changes in PWM period and adjust the duty cycle accordingly.

12.35.4 METHOD #4: FREQUENCY MODULATION

This method varies the frequency at which the PWM cycle is varied (dithered). The frequency modulation process is similar (mathematically speaking) to Phase Modulation when analyzed over a small time window.

The PWM module has the capability to phase modulate the PWM signals via the phase offset registers. Phase modulation has the advantage that the software is simpler and faster because multiple multiply operations (used for dithering frequency by scaling period and duty cycles) are replaced with fewer additions or simple updates of phase offset values into the phase registers.

This method also has these advantages:

1. Multi-phase and variable phase PWM modes could still be created.
2. The PWM generators can still use the common time base, which simplifies determining when a “quiet time” is available for measuring current.

This method has one disadvantage: the phase modulation has to be at a relatively high update rate to achieve usable frequency spreading.

12.35.5 INDEPENDENT PWM CHANNEL DITHERING ISSUES:

Issues for multi-phase or variable phase designs using independent output dithering must consider these issues:

1. The phases are no longer phase aligned.
2. Control of current sharing among phases is more difficult.

12.36 EXTERNAL SYNCHRONIZATION FEATURES

In large power conversion systems, it is often desirable to be able to synchronize multiple power controllers to ensure that “beat frequencies” are not generated within the system, or as a means to ensure “quiet” periods during which current and voltage measurements can be made.

dsPIC30F202X devices (excluding 28-pin packages) have input and/or output pins that provide the capability to either synchronize the SMPS dsPIC DSC device with an external device or have external devices synchronized to the SMPS dsPIC DSC. These synchronizing features are enabled via the SYNCIEN and SYNCOEN bits in the PTCON control register in the PWM module.

The SYNCPOL bit in the PTCON register selects whether the rising edge or the falling edge of the SYNCI signal is the active edge. The SYNCPOL bit in the PTCON register also selects whether the SYNCO output pulse is low active or high active.

The SYNCSRC<2:0> bits in the PTCON register specify the source for the SYNCI signal.

If the SYNCI feature is enabled, the primary time base counter is reset when an active SYNCI edge is detected. If the SYNCO feature is enabled, an output pulse is generated when the primary time base counter rolls over at the end of a PWM cycle.

The recommended SYNCI pulse width should be more than 100 nsec. The expected SYNCO output pulse width will be approximately 100 nsec.

When using the SYNCI feature, it is recommended that the user program the period register with a period value that is slightly longer than the expected period of the external synchronization input signal. This provides protection in case the SYNCI signal is not received due to noise or external component failure. With a reasonable period value programmed into the PTPER register, the local power conversion process should remain operational even if the global synchronization signal is not received.

12.37 CPU LOAD STAGGERING

The SMPS dsPIC DSC has the ability to stagger the individual trigger comparison operations. This feature helps to level the processor’s workload to minimize situations where the processor is overloaded.

Assume a situation where there are four PWM channels controlling four independent voltage outputs. Assume further that each PWM generator is operating at 1000 kHz (1 μ sec period) and each control loop is operating at 125 kHz (8 μ sec).

The TRGDIV<2:0> bits in each TRGCONx register will be set to ‘111’, which selects that every 8th trigger comparison match will generate a trigger signal to the ADC to capture data and begin a conversion process.

If the stagger-in-time feature did not exist, all of the requests from all of the PWM trigger registers might occur at the same time. If this “pile-up” were to happen, some data sample might become stale (outdated) by the time the data for all four channels can be processed.

With the stagger-in-time feature, the trigger signals are spaced out over time (during succeeding PWM periods) so that all of the data is processed in an orderly manner.

The ROLL counter is a counter connected to the primary time base counter. The ROLL counter is incremented each time the primary time base counter reaches terminal count (period rollover).

The stagger-in-time feature is controlled by the TRGSTRT<5:0> bits in the TRGCONx registers. The TRGSTRT<5:0> bits specify the count value of the ROLL counter that must be matched before an individual trigger comparison module in each of the PWM generators can begin to count the trigger comparison events as specified by the TRGDIV<2:0> bits in the PWMCONx registers.

So, in our example with the four PWM generators, the first PWM’s TRGSTRT<5:0> bits would be ‘000’, the second PWM’s TRGSTRT bits would be set to ‘010’, the third PWM’s TRGSTRT bits would be set to ‘100’ and the fourth PWM’s TRGSTRT bits would be set to ‘110’. Therefore, over a total of eight PWM cycles, the four separate control loops could be run each with their own 2- μ sec time period.

12.38 EXTERNAL TRIGGER BLANKING

Using the LEB<9:3> bits in the LEBCONx registers, the PWM module has the capability to blank (ignore) the external current and Fault inputs for a period of 0 to 1024 nsec. This feature is useful if power transistor turn-on induced transients make current sensing difficult at the start of a PWM cycle.

TABLE 12-4: POWER SUPPLY PWM REGISTER MAP

| File Name | ADR | Bit 15 | Bit 14 | Bit 13 | Bit 12 | Bit 11 | Bit 10 | Bit 9 | Bit 8 | Bit 7 | Bit 6 | Bit 5 | Bit 4 | Bit 3 | Bit 2 | Bit 1 | Bit 0 | All Resets | | | | |
|-----------|------|---------------|--------|---------------|------------|-----------|----------|----------|---------|-------------|--------------|--------------|--------|-------------|-------|-------|-------|------------|------|---|------|------|
| PTCON | 0400 | PTEN | — | PTSIDL | SESTAT | SEIEN | EIPU | SYNCPOL | SYNCOEN | SYNCEN | SYNCSRC<2:0> | | | SEVTPS<3:0> | | | 0000 | | | | | |
| PTPER | 0402 | PTPER<15:3> | | | | | | | | | | | — | — | — | FFF0 | | | | | | |
| MDC | 0404 | MDC<15:0> | | | | | | | | | | | | | | | | | 0000 | | | |
| SEVTCMP | 0406 | SEVTCMP<15:3> | | | | | | | | | | | | | | | | | — | — | — | 0000 |
| PWMCON1 | 0408 | FLTSTAT | CLSTAT | TRGSTAT | FLTIEIEN | CLIEIEN | TRGIEIEN | ITB | MDCS | DTC<1:0> | — | — | — | — | XPRES | IUE | 0000 | | | | | |
| IOCON1 | 040A | PENH | PENL | POLH | POLL | PMOD<1:0> | | OVRENH | OVRENL | OVRDAT<1:0> | FLTDAT<1:0> | CLDAT<1:0> | | — | OSYNC | 0000 | | | | | | |
| FCLCON1 | 040C | — | — | — | CLSRC<3:0> | | | CLPOL | CLMOD | FLTSRC<3:0> | | | FLTPOL | FLTMOD<1:0> | | 0000 | | | | | | |
| PDC1 | 040E | PDC1<15:0> | | | | | | | | | | | | | | | | | 0000 | | | |
| PHASE1 | 0410 | PHASE1<15:2> | | | | | | | | | | | | | | | | | — | — | 0000 | |
| DTR1 | 0412 | — | — | DTR1<13:2> | | | | | | | | | | | — | — | 0000 | | | | | |
| ALTDTR1 | 0414 | — | — | ALTDTR1<13:2> | | | | | | | | | | | — | — | 0000 | | | | | |
| TRIG1 | 0416 | TRIG<15:3> | | | | | | | | | | | | | | | | | — | — | — | 0000 |
| TRGCON1 | 0418 | TRGDIV<2:0> | | | — | — | — | — | — | — | — | TRGSTRT<5:0> | | | | | 0000 | | | | | |
| LEBCON1 | 041A | PHR | PHF | PLR | PLF | FLTLEBEN | CLLEBEN | LEB<9:3> | | | | | — | — | — | 0000 | | | | | | |
| PWMCON2 | 041C | FLTSTAT | CLSTAT | TRGSTAT | FLTIEIEN | CLIEIEN | TRGIEIEN | ITB | MDCS | DTC<1:0> | — | — | — | — | XPRES | IUE | 0000 | | | | | |
| IOCON2 | 041E | PENH | PENL | POLH | POLL | PMOD<1:0> | | OVRENH | OVRENL | OVRDAT<1:0> | FLTDAT<1:0> | CLDAT<1:0> | | — | OSYNC | 0000 | | | | | | |
| FCLCON2 | 0420 | — | — | — | CLSRC<3:0> | | | CLPOL | CLMOD | FLTSRC<3:0> | | | FLTPOL | FLTMOD<1:0> | | 0000 | | | | | | |
| PDC2 | 0422 | PDC2<15:0> | | | | | | | | | | | | | | | | | 0000 | | | |
| PHASE2 | 0424 | PHASE2<15:2> | | | | | | | | | | | | | | | | | — | — | 0000 | |
| DTR2 | 0426 | — | — | DTR2<13:2> | | | | | | | | | | | — | — | 0000 | | | | | |
| ALTDTR2 | 0428 | — | — | ALTDTR2<13:2> | | | | | | | | | | | — | — | 0000 | | | | | |
| TRIG2 | 042A | TRIG<15:3> | | | | | | | | | | | | | | | | | — | — | — | 0000 |
| TRGCON2 | 042C | TRGDIV<2:0> | | | — | — | — | — | — | — | — | TRGSTRT<5:0> | | | | | 0000 | | | | | |
| LEBCON2 | 042E | PHR | PHF | PLR | PLF | FLTLEBEN | CLLEBEN | LEB<9:3> | | | | | — | — | — | 0000 | | | | | | |
| PWMCON3 | 0430 | FLTSTAT | CLSTAT | TRGSTAT | FLTIEIEN | CLIEIEN | TRGIEIEN | ITB | MDCS | DTC<1:0> | — | — | — | — | XPRES | IUE | 0000 | | | | | |
| IOCON3 | 0432 | PENH | PENL | POLH | POLL | PMOD<1:0> | | OVRENH | OVRENL | OVRDAT<1:0> | FLTDAT<1:0> | CLDAT<1:0> | | — | OSYNC | 0000 | | | | | | |
| FCLCON3 | 0434 | — | — | — | CLSRC<3:0> | | | CLPOL | CLMOD | FLTSRC<3:0> | | | FLTPOL | FLTMOD<1:0> | | 0000 | | | | | | |
| PDC3 | 0436 | PDC3<15:0> | | | | | | | | | | | | | | | | | 0000 | | | |
| PHASE3 | 0438 | PHASE3<15:2> | | | | | | | | | | | | | | | | | — | — | 0000 | |
| DTR3 | 043A | — | — | DTR3<13:2> | | | | | | | | | | | — | — | 0000 | | | | | |
| ALTDTR3 | 043C | — | — | ALTDTR3<13:2> | | | | | | | | | | | — | — | 0000 | | | | | |
| TRIG3 | 043E | TRIG<15:3> | | | | | | | | | | | | | | | | | — | — | — | 0000 |
| TRGCON3 | 0440 | TRGDIV<2:0> | | | — | — | — | — | — | — | — | TRGSTRT<5:0> | | | | | 0000 | | | | | |
| LEBCON3 | 0442 | PHR | PHF | PLR | PLF | FLTLEBEN | CLLEBEN | LEB<9:3> | | | | | — | — | — | 0000 | | | | | | |
| PWMCON4 | 0444 | FLTSTAT | CLSTAT | TRGSTAT | FLTIEIEN | CLIEIEN | TRGIEIEN | ITB | MDCS | DTC<1:0> | — | — | — | — | XPRES | IUE | 0000 | | | | | |
| IOCON4 | 0446 | PENH | PENL | POLH | POLL | PMOD<1:0> | | OVRENH | OVRENL | OVRDAT<1:0> | FLTDAT<1:0> | CLDAT<1:0> | | — | OSYNC | 0000 | | | | | | |

TABLE 12-4: POWER SUPPLY PWM REGISTER MAP (CONTINUED)

| File Name | ADR | Bit 15 | Bit 14 | Bit 13 | Bit 12 | Bit 11 | Bit 10 | Bit 9 | Bit 8 | Bit 7 | Bit 6 | Bit 5 | Bit 4 | Bit 3 | Bit 2 | Bit 1 | Bit 0 | All Resets | | |
|-----------|----------|--------------|--------|---------------|------------|----------|---------|----------|--------|-------------|-------|--------------|--------|-------------|-------|-------|-------|------------|------|------|
| FCLCON4 | 0448 | — | — | — | CLSRC<3:0> | | | CLPOL | CLMODE | FLTSRC<3:0> | | | FLTPOL | FLTMOD<1:0> | | 0000 | | | | |
| PDC4 | 044A | PDC4<15:0> | | | | | | | | | | | | | | | 0000 | | | |
| PHASE4 | 044C | PHASE4<15:2> | | | | | | | | | | | | | | | — | — | 0000 | |
| DTR4 | 044E | — | — | DTR4<13:2> | | | | | | | | | | | — | — | 0000 | | | |
| ALTDTR4 | 0450 | — | — | ALTDTR4<13:2> | | | | | | | | | | | — | — | 0000 | | | |
| TRIG4 | 0452 | TRIG<15:3> | | | | | | | | | | | | | | | — | — | — | 0000 |
| TRGCON4 | 0454 | TRGDIV<2:0> | | | — | — | — | — | — | — | — | TRGSTRT<5:0> | | | | | 0000 | | | |
| LEBCON4 | 0456 | PHR | PHF | PLR | PLF | FLTLEBEN | CLLEBEN | LEB<9:3> | | | | | — | — | — | 0000 | | | | |
| Reserved | 0458-47F | — | — | — | — | — | — | — | — | — | — | — | — | — | — | — | — | 0000 | | |

dsPIC30F1010/202X

NOTES:

13.0 SERIAL PERIPHERAL INTERFACE (SPI)

Note: This data sheet summarizes the features of this group of dsPIC30F1010/202X devices. It is not intended to be a comprehensive reference source. To complement the information in this data sheet, refer to the “dsPIC30F Family Reference Manual” (DS70046).

The Serial Peripheral Interface (SPI) module is a synchronous serial interface useful for communicating with other peripheral or microcontroller devices. These peripheral devices may be serial EEPROMs, shift registers, display drivers, ADC, etc. The SPI module is compatible with SPI and SIOP from Motorola®.

Note: The dsPIC30F101/202X family has only one SPI. All references to x = 2 are intended for software compatibility with other dsPIC DSC devices.

The SPI module consists of a 16-bit shift register, SPIxSR (where x = 1 or 2), used for shifting data in and out, and a buffer register, SPIxBUF. Two control registers, SPIxCON1 and SPIxCON2, configure the module. The SPIxSR register is not accessible by user software. A status register, SPIxSTAT, indicates various status conditions.

The serial interface consists of 4 pins: SDIx (serial data input), SDOx (serial data output), SCKx (shift clock input or output), and \overline{SSx} (active-low slave select).

In Master mode operation, SCK is a clock output but in Slave mode, it is a clock input.

A series of eight (8) or sixteen (16) clock pulses shift out bits from the SPIxSR to SDOx pin and simultaneously shift in data from SDIx pin. An interrupt is generated when the transfer is complete and the corresponding interrupt flag bit (SPI1IF or SPI2IF) is set. This interrupt can be disabled through an interrupt enable bit (SPI1IE or SPI2IE).

The receive operation is double-buffered. When a complete byte is received, it is transferred from SPIxSR to SPIxBUF.

If the receive buffer is full when new data is being transferred from SPIxSR to SPIxBUF, the module sets the SPIROV bit (SPIxSTAT<6>) to indicate an overflow condition. The transfer of the data from SPIxSR to SPIxBUF is not completed, and the new data is lost. The module does not respond to transitions on the SCKx pin while SPIROV (SPIxSTAT<6>) is '1', effectively disabling the module until SPIxBUF is read by user software.

Transmit writes are also double-buffered. The user software writes to SPIxBUF. When the master or slave transfer is completed, the contents of the shift register (SPIxSR) are moved to the receive buffer. If any transmit data has been written to the buffer register, the contents

of the transmit buffer are moved to SPIxSR. The received data is thus placed in SPIxBUF and the transmit data in SPIxSR is ready for the next transfer.

Note: Both the transmit buffer (SPIxTXB) and the receive buffer (SPIxRXB) are mapped to the same register address, SPIxBUF. Do not perform read-modify-write operations (such as bit-oriented instructions) on the SPIxBUF register.

To set up the SPI module for the Master mode of operation:

1. If using interrupts:
 - a) Clear the SPIxIF bit in the respective IFSn register.
 - b) Set the SPIxIE bit in the respective IECn register.
 - c) Write the SPIxIP bits in the respective IPCn register to set the interrupt priority.
2. Write the desired settings to the SPIxCON1 register with MSTEN (SPIxCON1<5>) = 1.
3. Clear the SPIROV bit (SPIxSTAT<6>).
4. Enable SPI operation by setting the SPIEN bit (SPIxSTAT<15>).
5. Write the data to be transmitted to the SPIxBUF register. Transmission (and reception) start as soon as data is written to the SPIxBUF register.

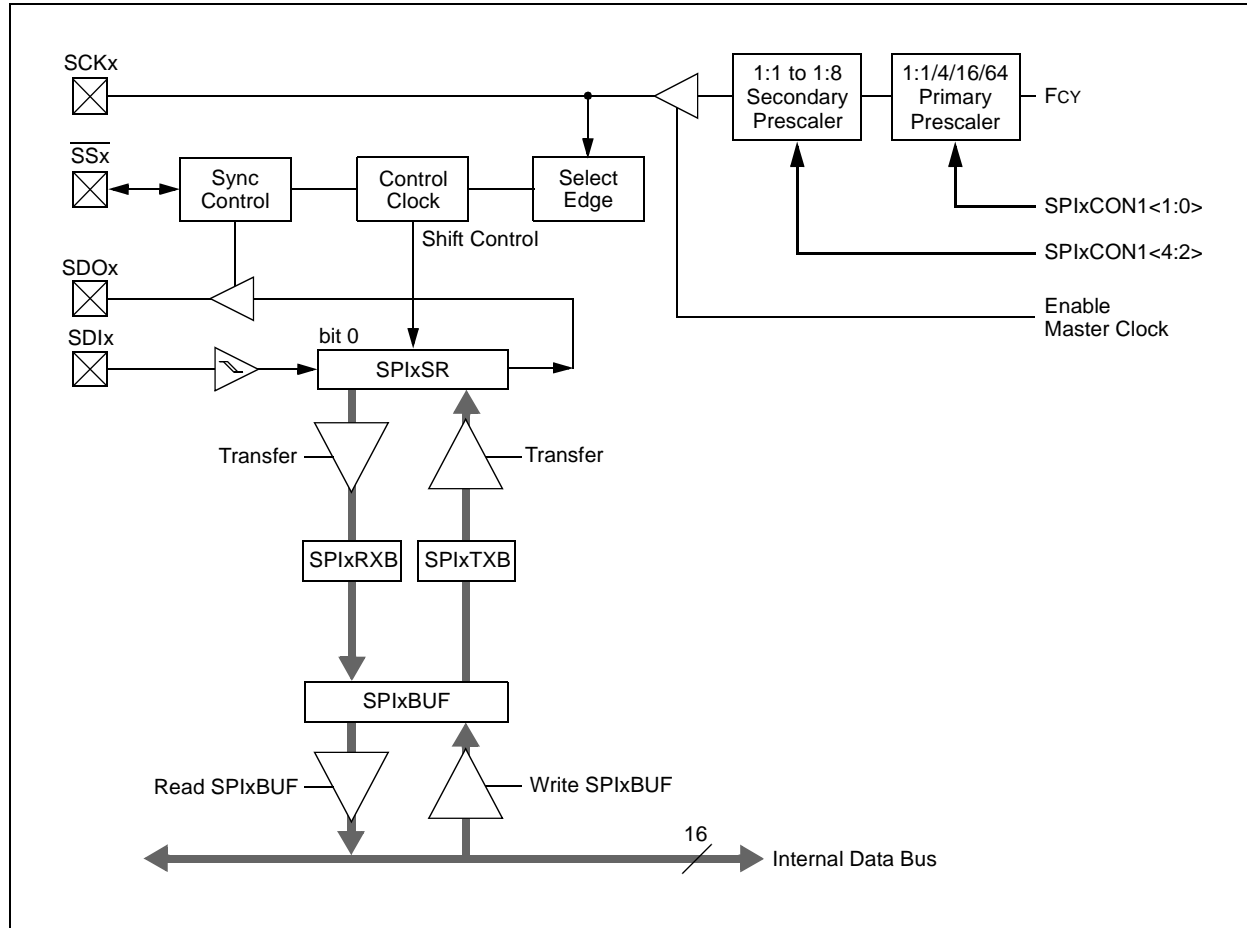
To set up the SPI module for the Slave mode of operation:

1. Clear the SPIxBUF register.
2. If using interrupts:
 - a) Clear the SPIxIF bit in the respective IFSn register.
 - b) Set the SPIxIE bit in the respective IECn register.
 - c) Write the SPIxIP bits in the respective IPCn register to set the interrupt priority.
3. Write the desired settings to the SPIxCON1 and SPIxCON2 registers with MSTEN (SPIxCON1<5>) = 0.
4. Clear the SMP bit (SPIxCON1<9>).
5. If the CKE (SPIxCON1<8>) bit is set, then the \overline{SEN} bit (SPIxCON1<7>) must be set to enable the \overline{SSx} pin.
6. Clear the SPIROV bit (SPIxSTAT<6>).
7. Enable SPI operation by setting the SPIEN bit (SPIxSTAT<15>).

The SPI module generates an interrupt indicating completion of a byte or word transfer, as well as a separate interrupt for all SPI error conditions.

dsPIC30F1010/202X

FIGURE 13-1: SPI MODULE BLOCK DIAGRAM



Note: The dsPIC30F1010/2020 devices do not contain the $\overline{SS1}$ pin. Therefore, the Slave Select and Frame Sync features cannot be used on these devices. These features are available on the dsPIC30F2023.

FIGURE 13-2: SPI MASTER/SLAVE CONNECTION

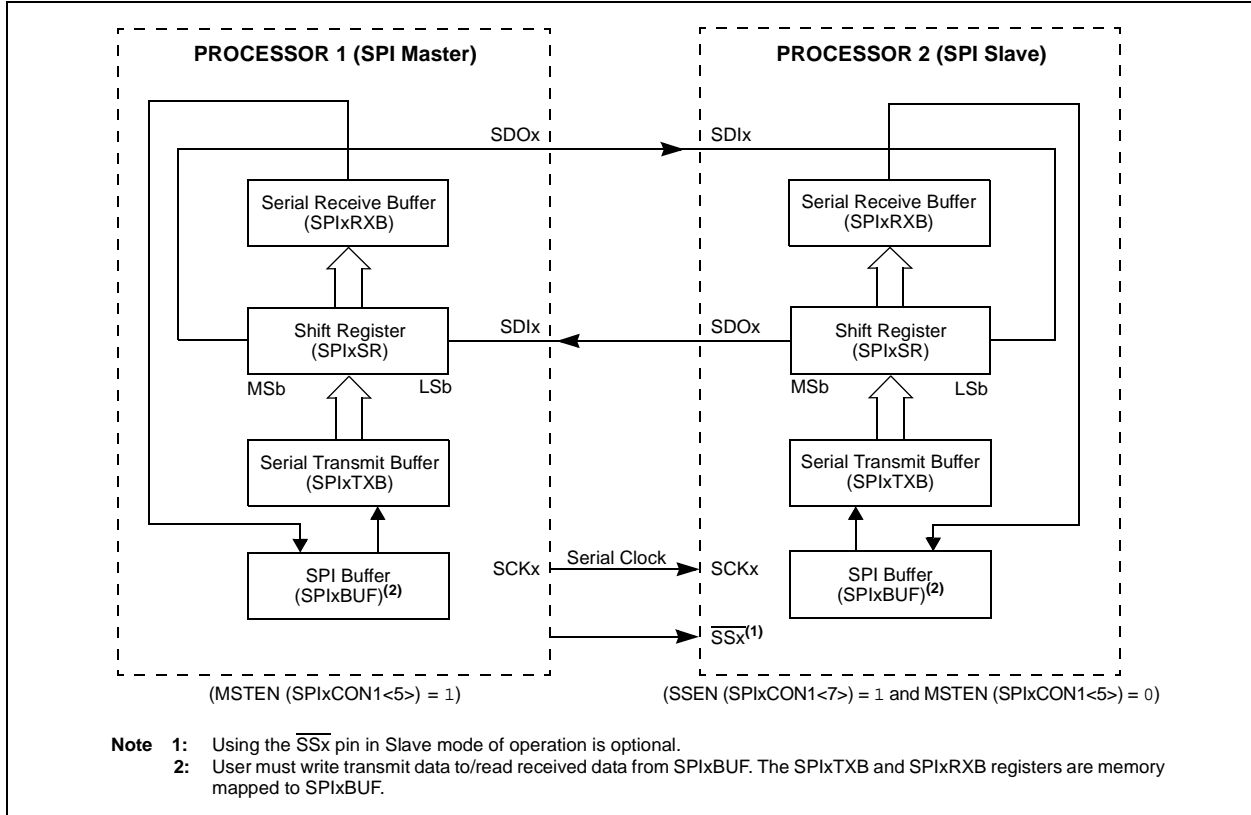


FIGURE 13-3: SPI MASTER, FRAME MASTER CONNECTION DIAGRAM

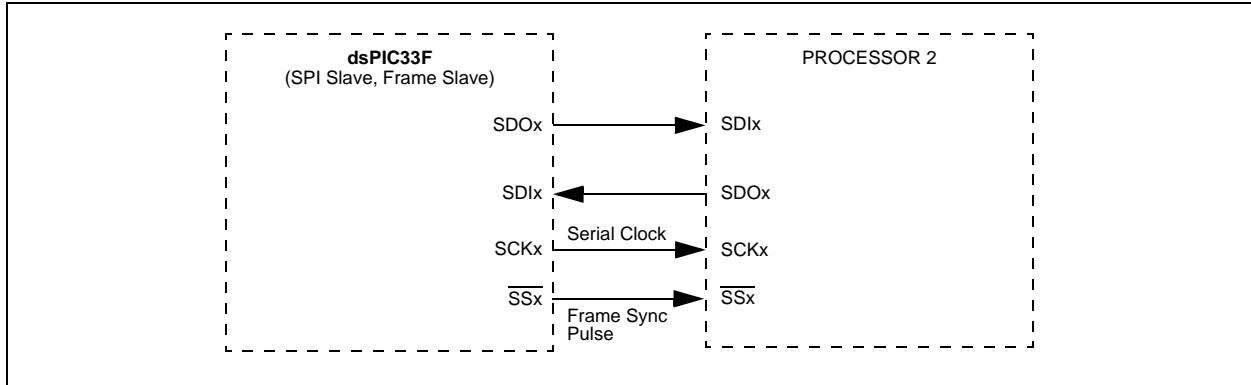
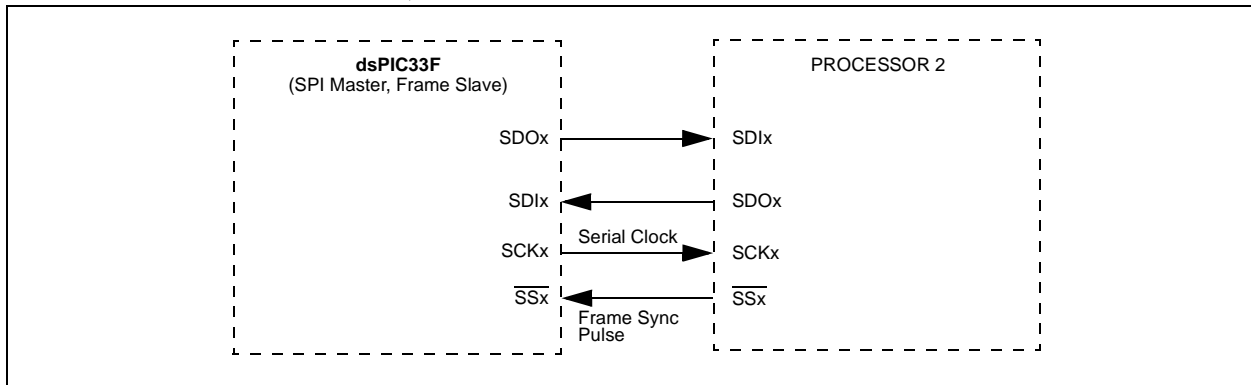


FIGURE 13-4: SPI MASTER, FRAME SLAVE CONNECTION DIAGRAM



dsPIC30F1010/202X

FIGURE 13-5: SPI SLAVE, FRAME MASTER CONNECTION DIAGRAM

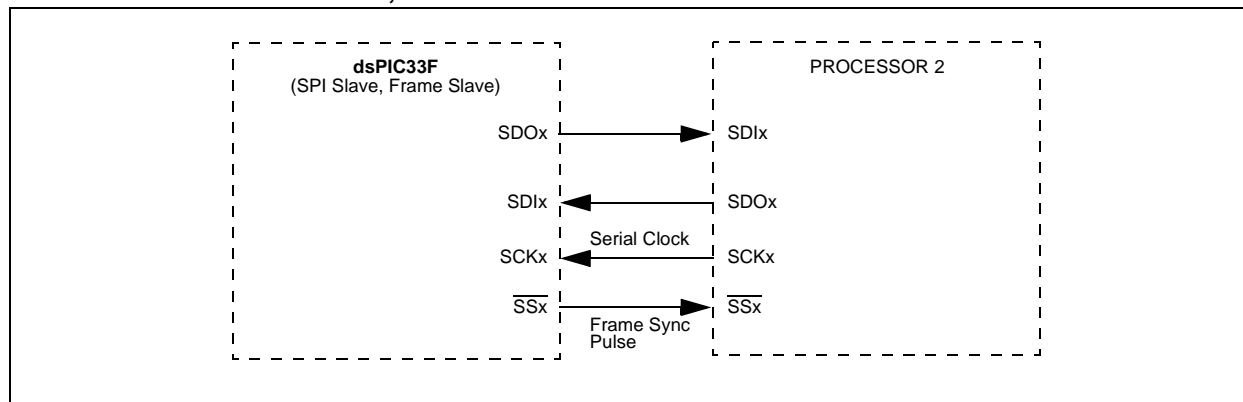
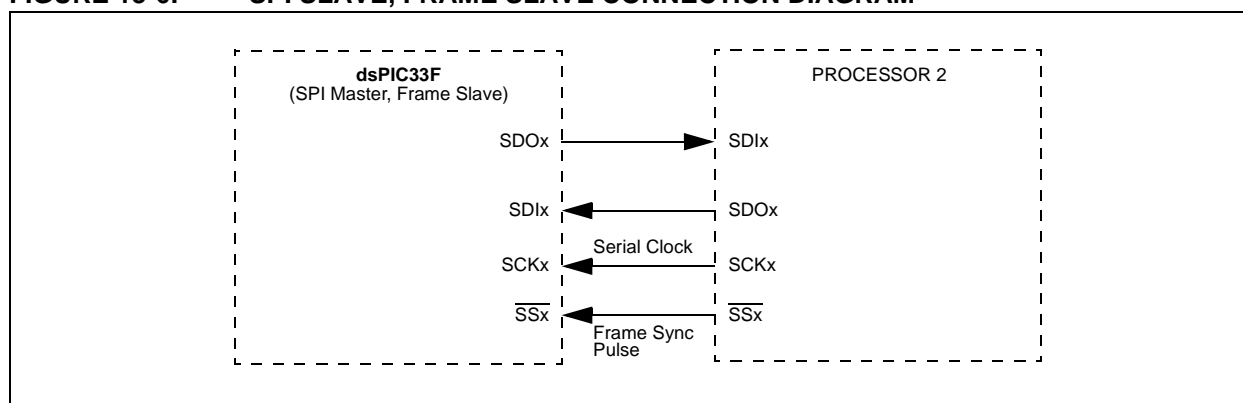


FIGURE 13-6: SPI SLAVE, FRAME SLAVE CONNECTION DIAGRAM



EQUATION 13-1: RELATIONSHIP BETWEEN DEVICE AND SPI CLOCK SPEED

$$F_{SCK} = \frac{F_{CY}}{\text{Primary Prescaler} * \text{Secondary Prescaler}}$$

TABLE 13-1: SAMPLE SCKx FREQUENCIES

| F _{CY} = 40 MHz | | Secondary Prescaler Settings | | | | |
|----------------------------|------|------------------------------|---------|------|-------|-------|
| | | 1:1 | 2:1 | 4:1 | 6:1 | 8:1 |
| Primary Prescaler Settings | 1:1 | Invalid | Invalid | 7500 | 5000 | 3750 |
| | 4:1 | 7500 | 3750 | 1875 | 1250 | 937.5 |
| | 16:1 | 1875 | 937.5 | 469 | 312.5 | 234.4 |
| | 64:1 | 469 | 234.4 | 117 | 78.1 | 58.6 |
| F _{CY} = 5 MHz | | | | | | |
| Primary Prescaler Settings | 1:1 | 5000 | 2500 | 1250 | 833 | 625 |
| | 4:1 | 1250 | 625 | 313 | 208 | 156 |
| | 16:1 | 313 | 156 | 78 | 52 | 39 |
| | 64:1 | 78 | 39 | 20 | 13 | 10 |

Note: SCKx frequencies shown in kHz.

REGISTER 13-1: SPIxSTAT: SPIx STATUS AND CONTROL REGISTER

| | | | | | | | |
|--------|-----|---------|-----|-----|-----|-------|-----|
| R/W-0 | U-0 | R/W-0 | U-0 | U-0 | U-0 | U-0 | U-0 |
| SPIEN | — | SPISIDL | — | — | — | — | — |
| bit 15 | | | | | | bit 8 | |

| | | | | | | | |
|-------|--------|-----|-----|-----|-----|--------|--------|
| U-0 | R/C-0 | U-0 | U-0 | U-0 | U-0 | R-0 | R-0 |
| — | SPIROV | — | — | — | — | SPITBF | SPIRBF |
| bit 7 | | | | | | bit 0 | |

| | | | |
|-------------------|-------------------|------------------------------------|--------------------|
| Legend: | C = Clearable bit | | |
| R = Readable bit | W = Writable bit | U = Unimplemented bit, read as '0' | |
| -n = Value at POR | '1' = Bit is set | '0' = Bit is cleared | x = Bit is unknown |

- bit 15 **SPIEN:** SPIx Enable bit
1 = Enables module and configures SCKx, SDOx, SDIx and \overline{SSx} as serial port pins
0 = Disables module
- bit 14 **Unimplemented:** Read as '0'
- bit 13 **SPISIDL:** Stop in Idle Mode bit
1 = Discontinue module operation when device enters Idle mode
0 = Continue module operation in Idle mode
- bit 12-7 **Unimplemented:** Read as '0'
- bit 6 **SPIROV:** Receive Overflow Flag bit
1 = A new byte/word is completely received and discarded. The user software has not read the previous data in the SPIxBUF register.
0 = No overflow has occurred
- bit 5-2 **Unimplemented:** Read as '0'
- bit 1 **SPITBF:** SPIx Transmit Buffer Full Status bit
1 = Transmit not yet started, SPIxTXB is full
0 = Transmit started, SPIxTXB is empty
Automatically set in hardware when CPU writes SPIxBUF location, loading SPIxTXB.
Automatically cleared in hardware when SPIx module transfers data from SPIxTXB to SPIxSR.
- bit 0 **SPIRBF:** SPIx Receive Buffer Full Status bit
1 = Receive complete, SPIxRXB is full
0 = Receive is not complete, SPIxRXB is empty
Automatically set in hardware when SPIx transfers data from SPIxSR to SPIxRXB.
Automatically cleared in hardware when core reads SPIxBUF location, reading SPIxRXB.

dsPIC30F1010/202X

REGISTER 13-2: SPIxCON1: SPIx CONTROL REGISTER 1

| | | | | | | | |
|--------|-----|-----|--------|--------|--------|-------|--------------------|
| U-0 | U-0 | U-0 | R/W-0 | R/W-0 | R/W-0 | R/W-0 | R/W-0 |
| — | — | — | DISSCK | DISSDO | MODE16 | SMP | CKE ⁽¹⁾ |
| bit 15 | | | | | | bit 8 | |

| | | | | | | | |
|-------|-------|-------|-----------|-------|-------|-----------|-------|
| R/W-0 | R/W-0 | R/W-0 | R/W-0 | R/W-0 | R/W-0 | R/W-0 | R/W-0 |
| SSEN | CKP | MSTEN | SPRE<2:0> | | | PPRE<1:0> | |
| bit 7 | | | | | | bit 0 | |

Legend:

R = Readable bit W = Writable bit U = Unimplemented bit, read as '0'
 -n = Value at POR '1' = Bit is set '0' = Bit is cleared x = Bit is unknown

- bit 15-13 **Unimplemented:** Read as '0'
- bit 12 **DISSCK:** Disable SCKx pin bit (SPI Master modes only)
 1 = Internal SPI clock is disabled, pin functions as I/O
 0 = Internal SPI clock is enabled
- bit 11 **DISSDO:** Disable SDOx pin bit
 1 = SDOx pin is not used by module; pin functions as I/O
 0 = SDOx pin is controlled by the module
- bit 10 **MODE16:** Word/Byte Communication Select bit
 1 = Communication is word-wide (16 bits)
 0 = Communication is byte-wide (8 bits)
- bit 9 **SMP:** SPIx Data Input Sample Phase bit
 Master mode:
 1 = Input data sampled at end of data output time
 0 = Input data sampled at middle of data output time
 Slave mode:
 SMP must be cleared when SPIx is used in Slave mode.
- bit 8 **CKE:** SPIx Clock Edge Select bit⁽¹⁾
 1 = Serial output data changes on transition from active clock state to Idle clock state (see bit 6)
 0 = Serial output data changes on transition from Idle clock state to active clock state (see bit 6)
- bit 7 **SSEN:** Slave Select Enable bit (Slave mode)
 1 = \overline{SSx} pin used for Slave mode
 0 = \overline{SSx} pin not used by module. Pin controlled by port function.
- bit 6 **CKP:** Clock Polarity Select bit
 1 = Idle state for clock is a high level; active state is a low level
 0 = Idle state for clock is a low level; active state is a high level
- bit 5 **MSTEN:** Master Mode Enable bit
 1 = Master mode
 0 = Slave mode
- bit 4-2 **SPRE<2:0>:** Secondary Prescale bits (Master mode)
 111 = Secondary prescale 1:1
 110 = Secondary prescale 2:1
 . . .
 000 = Secondary prescale 8:1
- bit 1-0 **PPRE<1:0>:** Primary Prescale bits (Master mode)
 11 = Primary prescale 1:1
 10 = Primary prescale 4:1
 01 = Primary prescale 16:1
 00 = Primary prescale 64:1

Note 1: The CKE bit is not used in the Framed SPI modes. The user should program this bit to '0' for the Framed SPI modes (FRMEN = 1).

REGISTER 13-3: SPIxCON2: SPIx CONTROL REGISTER 2

| | | | | | | | |
|--------|--------|--------|-----|-----|-----|-----|-------|
| R/W-0 | R/W-0 | R/W-0 | U-0 | U-0 | U-0 | U-0 | U-0 |
| FRMEN | SPIFSD | FRMPOL | — | — | — | — | — |
| bit 15 | | | | | | | bit 8 |

| | | | | | | | |
|-------|-----|-----|-----|-----|-----|--------|-----|
| U-0 | U-0 | U-0 | U-0 | U-0 | U-0 | R/W-0 | U-0 |
| — | — | — | — | — | — | FRMDLY | — |
| bit 7 | | | | | | bit 0 | |

Legend:

R = Readable bit

W = Writable bit

U = Unimplemented bit, read as '0'

-n = Value at POR

'1' = Bit is set

'0' = Bit is cleared

x = Bit is unknown

- bit 15 **FRMEN:** Framed SPIx Support bit
 1 = Framed SPIx support enabled (\overline{SSx} pin used as frame sync pulse input/output)
 0 = Framed SPIx support disabled
- bit 14 **SPIFSD:** Frame Sync Pulse Direction Control bit
 1 = Frame sync pulse input (slave)
 0 = Frame sync pulse output (master)
- bit 13 **FRMPOL:** Frame Sync Pulse Polarity bit
 1 = Frame sync pulse is active-high
 0 = Frame sync pulse is active-low
- bit 12-2 **Unimplemented:** Read as '0'
- bit 1 **FRMDLY:** Frame Sync Pulse Edge Select bit
 1 = Frame sync pulse coincides with first bit clock
 0 = Frame sync pulse precedes first bit clock
- bit 0 **Unimplemented:** This bit must not be set to '1' by the user application.

TABLE 13-2: SPI1 REGISTER MAP

| SFR Name | Addr. | Bit 15 | Bit 14 | Bit 13 | Bit 12 | Bit 11 | Bit 10 | Bit 9 | Bit 8 | Bit 7 | Bit 6 | Bit 5 | Bit 4 | Bit 3 | Bit 2 | Bit 1 | Bit 0 | Reset State |
|----------|-------|-----------------------------|--------|---------|--------|--------|--------|-------|-------|-------|--------|-------|-----------|-------|-----------|--------|---------------------|---------------------|
| SPI1STAT | 0240 | SPIEN | — | SPISIDL | — | — | — | — | — | — | SPIROV | — | — | — | — | SPITBF | SPIRBF | 0000 0000 0000 0000 |
| SPI1CON | 0242 | — | — | — | DISSCK | DISSDO | MODE16 | SMP | CKE | SSEN | CKP | MSTEN | SPRE<2:0> | | PPRE<1:0> | | 0000 0000 0000 0000 | |
| SPI1CON2 | 0244 | FRMEN | SPIFSD | FRMPOL | — | — | — | — | — | — | — | — | — | — | — | FRMDLY | — | 0000 0000 0000 0000 |
| SPI1BUF | 0246 | Transmit and Receive Buffer | | | | | | | | | | | | | | | | 0000 0000 0000 0000 |

Legend: u = uninitialized bit

Note: Refer to the “*dsPIC30F Family Reference Manual*” (DS70046) for descriptions of register bit fields.

14.0 I²C™ MODULE

Note: This data sheet summarizes features of this group of dsPIC30F devices and is not intended to be a complete reference source. For more information on the CPU, peripherals, register descriptions and general device functionality, refer to the “dsPIC30F Family Reference Manual” (DS70046).

The Inter-Integrated Circuit (I²C) module provides complete hardware support for both Slave and Multi-Master modes of the I²C serial communication standard, with a 16-bit interface.

This module offers the following key features:

- I²C interface supporting both Master and Slave operation.
- I²C Slave mode supports 7 and 10-bit address
- I²C Master mode supports 7 and 10-bit address
- I²C port allows bidirectional transfers between master and slaves.
- Serial clock synchronization for I²C port can be used as a handshake mechanism to suspend and resume serial transfer (SCLREL control).
- I²C supports Multi-Master operation; detects bus collision and will arbitrate accordingly.

14.1 Operating Function Description

The hardware fully implements all the master and slave functions of the I²C Standard and Fast mode specifications, as well as 7 and 10-bit addressing.

Thus, the I²C module can operate either as a slave or a master on an I²C bus.

14.1.1 VARIOUS I²C MODES

The following types of I²C operation are supported:

- I²C Slave operation with 7 or 10-bit address
- I²C Master operation with 7 or 10-bit address

See the I²C programmer’s model in Figure 14-1.

14.1.2 PIN CONFIGURATION IN I²C MODE

I²C has a 2-pin interface; pin SCL is clock and pin SDA is data.

FIGURE 14-1: PROGRAMMER’S MODEL



14.1.3 I²C REGISTERS

I2CCON and I2CSTAT are Control and Status registers, respectively. The I2CCON register is readable and writable. The lower 6 bits of I2CSTAT are read-only. The remaining bits of the I2CSTAT are read/write.

I2CRSR is the shift register used for shifting data, whereas I2CRCV is the buffer register to which data bytes are written, or from which data bytes are read. I2CRCV is the receive buffer, as shown in Figure 16-1. I2CTRN is the transmit register to which bytes are written during a transmit operation, as shown in Figure 16-2.

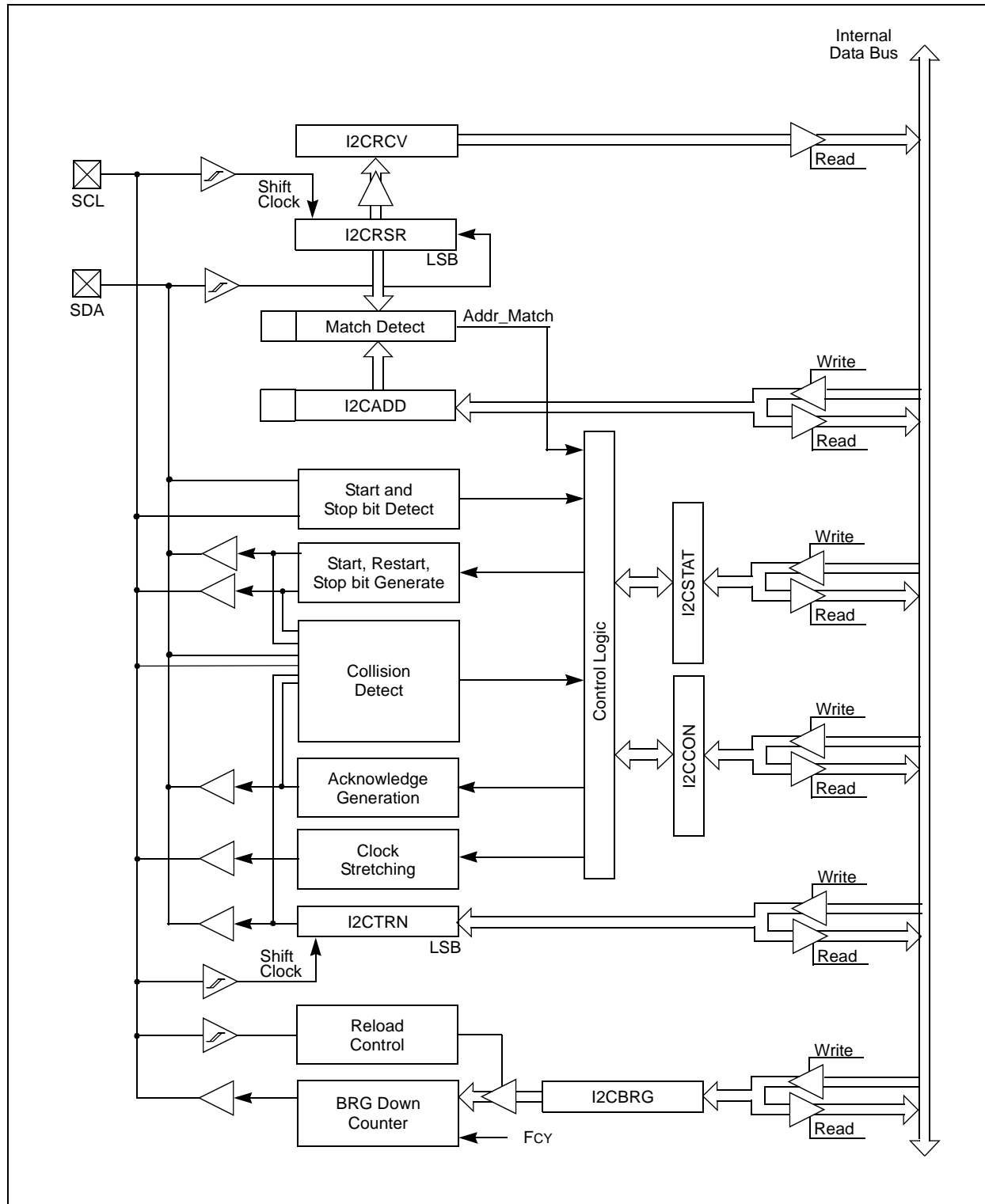
The I2CADD register holds the slave address. A status bit, ADD10, indicates 10-bit Address mode. The I2CBRG acts as the Baud Rate Generator (BRG) reload value.

In receive operations, I2CRSR and I2CRCV together form a double-buffered receiver. When I2CRSR receives a complete byte, it is transferred to I2CRCV and an interrupt pulse is generated. During transmission, the I2CTRN is not double-buffered.

Note: Following a Restart condition in 10-bit mode, the user only needs to match the first 7-bit address.

dsPIC30F1010/202X

FIGURE 14-2: I²C™ BLOCK DIAGRAM



14.2 I²C Module Addresses

The I2CADD register contains the Slave mode addresses. The register is a 10-bit register.

If the A10M bit (I2CCON<10>) is '0', the address is interpreted by the module as a 7-bit address. When an address is received, it is compared to the 7 Least Significant bits of the I2CADD register.

If the A10M bit is '1', the address is assumed to be a 10-bit address. When an address is received, it will be compared with the binary value '1 1 1 1 0 A9 A8' (where A9, A8 are two Most Significant bits of I2CADD). If that value matches, the next address will be compared with the Least Significant 8 bits of I2CADD, as specified in the 10-bit addressing protocol.

14.3 I²C 7-bit Slave Mode Operation

Once enabled (I2CEN = 1), the slave module will wait for a Start bit to occur (i.e., the I²C module is 'Idle'). Following the detection of a Start bit, 8 bits are shifted into I2CRSR and the address is compared against I2CADD. In 7-bit mode (A10M = 0), bits I2CADD<6:0> are compared against I2CRSR<7:1> and I2CRSR<0> is the R_W bit. All incoming bits are sampled on the rising edge of SCL.

If an address match occurs, an acknowledgement will be sent, and the slave event interrupt flag (SI2CIF) is set on the falling edge of the ninth (ACK) bit. The address match does not affect the contents of the I2CRCV buffer or the RBF bit.

14.3.1 SLAVE TRANSMISSION

If the R_W bit received is a '1', then the serial port will go into Transmit mode. It will send ACK on the ninth bit and then hold SCL to '0' until the CPU responds by writing to I2CTRN. SCL is released by setting the SCLREL bit, and 8 bits of data are shifted out. Data bits are shifted out on the falling edge of SCL, such that SDA is valid during SCL high (see timing diagram). The interrupt pulse is sent on the falling edge of the ninth clock pulse, regardless of the status of the ACK received from the master.

14.3.2 SLAVE RECEPTION

If the R_W bit received is a '0' during an address match, then Receive mode is initiated. Incoming bits are sampled on the rising edge of SCL. After 8 bits are received, if I2CRCV is not full or I2COV is not set, I2CRSR is transferred to I2CRCV. ACK is sent on the ninth clock.

If the RBF flag is set, indicating that I2CRCV is still holding data from a previous operation (RBF = 1), then ACK is not sent; however, the interrupt pulse is generated. In the case of an overflow, the contents of the I2CRSR are not loaded into the I2CRCV.

Note: The I2CRCV will be loaded if the I2COV bit = 1 and the RBF flag = 0. In this case, a read of the I2CRCV was performed, but the user did not clear the state of the I2COV bit before the next receive occurred. The acknowledgement is not sent (ACK = 1) and the I2CRCV is updated.

14.4 I²C 10-bit Slave Mode Operation

In 10-bit mode, the basic receive and transmit operations are the same as in the 7-bit mode. However, the criteria for address match is more complex.

The I²C specification dictates that a slave must be addressed for a write operation, with two address bytes following a Start bit.

The A10M bit is a control bit that signifies that the address in I2CADD is a 10-bit address rather than a 7-bit address. The address detection protocol for the first byte of a message address is identical for 7-bit and 10-bit messages, but the bits being compared are different.

I2CADD holds the entire 10-bit address. Upon receiving an address following a Start bit, I2CRSR <7:3> is compared against a literal '11110' (the default 10-bit address) and I2CRSR<2:1> are compared against I2CADD<9:8>. If a match occurs and if R_W = 0, the interrupt pulse is sent. The ADD10 bit will be cleared to indicate a partial address match. If a match fails or R_W = 1, the ADD10 bit is cleared and the module returns to the Idle state.

The low byte of the address is then received and compared with I2CADD<7:0>. If an address match occurs, the interrupt pulse is generated and the ADD10 bit is set, indicating a complete 10-bit address match. If an address match did not occur, the ADD10 bit is cleared and the module returns to the Idle state.

14.4.1 10-BIT MODE SLAVE TRANSMISSION

Once a slave is addressed in this fashion, with the full 10-bit address (we will refer to this state as "PRIOR_ADDR_MATCH"), the master can begin sending data bytes for a slave reception operation.

14.4.2 10-BIT MODE SLAVE RECEPTION

Once addressed, the master can generate a Repeated Start, reset the high byte of the address and set the R_W bit without generating a Stop bit, thus initiating a slave transmit operation.

14.5 Automatic Clock Stretch

In the Slave modes, the module can synchronize buffer reads and write to the master device by clock stretching.

14.5.1 TRANSMIT CLOCK STRETCHING

Both 10-bit and 7-bit Transmit modes implement clock stretching by asserting the SCLREL bit after the falling edge of the ninth clock if the TBF bit is cleared, indicating the buffer is empty.

In Slave Transmit modes, clock stretching is always performed, irrespective of the STREN bit.

Clock synchronization takes place following the ninth clock of the transmit sequence. If the device samples an $\overline{\text{ACK}}$ on the falling edge of the ninth clock, and if the TBF bit is still clear, then the SCLREL bit is automatically cleared. The SCLREL being cleared to '0' will assert the SCL line low. The user's ISR must set the SCLREL bit before transmission is allowed to continue. By holding the SCL line low, the user has time to service the ISR and load the contents of the I2CTRNL before the master device can initiate another transmit sequence.

Note 1: If the user loads the contents of I2CTRNL, setting the TBF bit before the falling edge of the ninth clock, the SCLREL bit will not be cleared and clock stretching will not occur.

2: The SCLREL bit can be set in software, regardless of the state of the TBF bit.

14.5.2 RECEIVE CLOCK STRETCHING

The STREN bit in the I2CCON register can be used to enable clock stretching in Slave Receive mode. When the STREN bit is set, the SCL pin will be held low at the end of each data receive sequence.

14.5.3 CLOCK STRETCHING DURING 7-BIT ADDRESSING (STREN = 1)

When the STREN bit is set in Slave Receive mode, the SCL line is held low when the buffer register is full. The method for stretching the SCL output is the same for both 7 and 10-bit Addressing modes.

Clock stretching takes place following the ninth clock of the receive sequence. On the falling edge of the ninth clock at the end of the ACK sequence, if the RBF bit is set, the SCLREL bit is automatically cleared, forcing the SCL output to be held low. The user's ISR must set the SCLREL bit before reception is allowed to continue. By holding the SCL line low, the user has time to service the ISR and read the contents of the I2CRCV before the master device can initiate another receive sequence. This will prevent buffer overruns from occurring.

Note 1: If the user reads the contents of the I2CRCV, clearing the RBF bit before the falling edge of the ninth clock, the SCLREL bit will not be cleared and clock stretching will not occur.

2: The SCLREL bit can be set in software, regardless of the state of the RBF bit. The user should be careful to clear the RBF bit in the ISR before the next receive sequence in order to prevent an Overflow condition.

14.5.4 CLOCK STRETCHING DURING 10-BIT ADDRESSING (STREN = 1)

Clock stretching takes place automatically during the addressing sequence. Because this module has a register for the entire address, it is not necessary for the protocol to wait for the address to be updated.

After the address phase is complete, clock stretching will occur on each data receive or transmit sequence as was described earlier.

14.6 Software Controlled Clock Stretching (STREN = 1)

When the STREN bit is '1', the SCLREL bit may be cleared by software to allow software to control the clock stretching. The logic will synchronize writes to the SCLREL bit with the SCL clock. Clearing the SCLREL bit will not assert the SCL output until the module detects a falling edge on the SCL output and SCL is sampled low. If the SCLREL bit is cleared by the user while the SCL line has been sampled low, the SCL output will be asserted (held low). The SCL output will remain low until the SCLREL bit is set, and all other devices on the I²C bus have deasserted SCL. This ensures that a write to the SCLREL bit will not violate the minimum high time requirement for SCL.

If the STREN bit is '0', a software write to the SCLREL bit will be disregarded and have no effect on the SCLREL bit.

14.7 Interrupts

The I²C module generates two interrupt flags, MI2CIF (I²C Master Interrupt Flag) and SI2CIF (I²C Slave Interrupt Flag). The MI2CIF interrupt flag is activated on completion of a master message event. The SI2CIF interrupt flag is activated on detection of a message directed to the slave.

14.8 Slope Control

The I²C standard requires slope control on the SDA and SCL signals for Fast mode (400 kHz). The control bit, DISSLW, enables the user to disable slew rate control, if desired. It is necessary to disable the slew rate control for 1 MHz mode.

14.9 IPMI Support

The control bit IPMIEN enables the module to support Intelligent Peripheral Management Interface (IPMI). When this bit is set, the module accepts and acts upon all addresses.

14.10 General Call Address Support

The general call address can address all devices. When this address is used, all devices should, in theory, respond with an acknowledgement.

The general call address is one of eight addresses reserved for specific purposes by the I²C protocol. It consists of all '0's with R_W = 0.

The general call address is recognized when the General Call Enable (GCEN) bit is set (I2CCON<7> = 1). Following a Start bit detection, 8 bits are shifted into I2CRSR and the address is compared with I2CADD, and is also compared with the general call address which is fixed in hardware.

If a general call address match occurs, the I2CRSR is transferred to the I2CRCV after the eighth clock, the RBF flag is set, and, on the falling edge of the ninth bit ($\overline{\text{ACK}}$ bit), the master event interrupt flag (MI2CIF) is set.

When the interrupt is serviced, the source for the interrupt can be checked by reading the contents of the I2CRCV to determine if the address was device specific, or a general call address.

14.11 I²C Master Support

As a Master device, six operations are supported.

- Assert a Start condition on SDA and SCL.
- Assert a Restart condition on SDA and SCL.
- Write to the I2CTRN register initiating transmission of data/address.
- Generate a Stop condition on SDA and SCL.
- Configure the I²C port to receive data.
- Generate an $\overline{\text{ACK}}$ condition at the end of a received byte of data.

14.12 I²C Master Operation

The master device generates all of the serial clock pulses and the Start and Stop conditions. A transfer is ended with a Stop condition or with a Repeated Start condition. Since the Repeated Start condition is also the beginning of the next serial transfer, the I²C bus will not be released.

In Master Transmitter mode, serial data is output through SDA, while SCL outputs the serial clock. The first byte transmitted contains the slave address of the receiving device (7 bits) and the data direction bit. In this case, the data direction bit (R_W) is logic '0'. Serial data is transmitted 8 bits at a time. After each byte is transmitted, an $\overline{\text{ACK}}$ bit is received. Start and Stop conditions are output to indicate the beginning and the end of a serial transfer.

In Master Receive mode, the first byte transmitted contains the slave address of the transmitting device (7 bits) and the data direction bit. In this case, the data direction bit (R_W) is logic 1. Thus, the first byte transmitted is a 7-bit slave address, followed by a '1' to indicate receive bit. Serial data is received via SDA, while SCL outputs the serial clock. Serial data is received 8 bits at a time. After each byte is received, an $\overline{\text{ACK}}$ bit is transmitted. Start and Stop conditions indicate the beginning and end of transmission.

14.12.1 I²C MASTER TRANSMISSION

Transmission of a data byte, a 7-bit address, or the second half of a 10-bit address is accomplished by simply writing a value to I2CTRN register. The user should only write to I2CTRN when the module is in a WAIT state. This action will set the Buffer Full Flag (TBF) and allow the Baud Rate Generator to begin counting and start the next transmission. Each bit of address/data will be shifted out onto the SDA pin after the falling edge of SCL is asserted. The Transmit Status Flag, TRSTAT (I2CSTAT<14>), indicates that a master transmit is in progress.

14.12.2 I²C MASTER RECEPTION

Master mode reception is enabled by programming the receive enable (RCEN) bit (I2CCON<3>). The I²C module must be Idle before the RCEN bit is set, otherwise the RCEN bit will be disregarded. The Baud Rate Generator begins counting, and, on each rollover, the state of the SCL pin toggles, and data is shifted in to the I2CRSR on the rising edge of each clock.

dsPIC30F1010/202X

14.12.3 BAUD RATE GENERATOR

In I²C Master mode, the reload value for the BRG is located in the I2CBRG register. When the BRG is loaded with this value, the BRG counts down to '0' and stops until another reload has taken place. If clock arbitration is taking place, for instance, the BRG is reloaded when the SCL pin is sampled high.

As per the I²C standard, F_{SCk} may be 100 kHz or 400 kHz. However, the user can specify any baud rate up to 1 MHz. I2CBRG values of '0' or '1' are illegal.

EQUATION 14-1: I2CBRG VALUE

$$I2CBRG = \left(\frac{F_{cy}}{F_{scl}} - \frac{F_{cy}}{1,111,111} \right) - 1$$

14.12.4 CLOCK ARBITRATION

Clock arbitration occurs when the master deasserts the SCL pin (SCL allowed to float high) during any receive, transmit or Restart/Stop condition. When the SCL pin is allowed to float high, the Baud Rate Generator is suspended from counting until the SCL pin is actually sampled high. When the SCL pin is sampled high, the Baud Rate Generator is reloaded with the contents of I2CBRG and begins counting. This ensures that the SCL high time will always be at least one BRG rollover count in the event that the clock is held low by an external device.

14.12.5 MULTI-MASTER COMMUNICATION, BUS COLLISION AND BUS ARBITRATION

Multi-Master operation support is achieved by bus arbitration. When the master outputs address/data bits onto the SDA pin, arbitration takes place when the master outputs a '1' on SDA, by letting SDA float high while another master asserts a '0'. When the SCL pin floats high, data should be stable. If the expected data on SDA is a '1' and the data sampled on the SDA pin = 0, then a bus collision has taken place. The master will set the MI2CIF pulse and reset the master portion of the I²C port to its Idle state.

If a transmit was in progress when the bus collision occurred, the transmission is halted, the TBF flag is cleared, the SDA and SCL lines are deasserted, and a value can now be written to I2CTRN. When the user services the I²C master event Interrupt Service Routine, if the I²C bus is free (i.e., the P bit is set) the user can resume communication by asserting a Start condition.

If a Start, Restart, Stop or Acknowledge condition was in progress when the bus collision occurred, the condition is aborted, the SDA and SCL lines are deasserted, and the respective control bits in the I2CCON register are cleared to '0'. When the user services the bus collision Interrupt Service Routine, and if the I²C bus is free, the user can resume communication by asserting a Start condition.

The Master will continue to monitor the SDA and SCL pins and, if a Stop condition occurs, the MI2CIF bit will be set.

A write to the I2CTRN will start the transmission of data at the first data bit, regardless of where the transmitter left off when bus collision occurred.

In a Multi-Master environment, the interrupt generation on the detection of Start and Stop conditions allows the determination of when the bus is free. Control of the I²C bus can be taken when the P bit is set in the I2CSTAT register, or the bus is Idle and the S and P bits are cleared.

14.13 I²C Module Operation During CPU Sleep and Idle Modes

14.13.1 I²C OPERATION DURING CPU SLEEP MODE

When the device enters Sleep mode, all clock sources to the module are shutdown and stay at logic '0'. If Sleep occurs in the middle of a transmission, and the state machine is partially into a transmission as the clocks stop, then the transmission is aborted. Similarly, if Sleep occurs in the middle of a reception, then the reception is aborted.

14.13.2 I²C OPERATION DURING CPU IDLE MODE

For the I²C, the I2CSIDL bit selects if the module will stop on Idle or continue on Idle. If I2CSIDL = 0, the module will continue operation on assertion of the Idle mode. If I2CSIDL = 1, the module will stop on Idle.

TABLE 14-1: I²C™ REGISTER MAP

| SFR Name | Addr. | Bit 15 | Bit 14 | Bit 13 | Bit 12 | Bit 11 | Bit 10 | Bit 9 | Bit 8 | Bit 7 | Bit 6 | Bit 5 | Bit 4 | Bit 3 | Bit 2 | Bit 1 | Bit 0 | Reset State |
|----------|-------|---------|--------|---------|--------|--------|--------|------------------|---------------------|-------------------|-------|-------|-------|-------|-------|---------------------|---------------------|---------------------|
| I2CRCV | 0200 | — | — | — | — | — | — | — | — | Receive Register | | | | | | | | 0000 0000 0000 0000 |
| I2CTRN | 0202 | — | — | — | — | — | — | — | — | Transmit Register | | | | | | | | 0000 0000 1111 1111 |
| I2CBRG | 0204 | — | — | — | — | — | — | — | Baud Rate Generator | | | | | | | | 0000 0000 0000 0000 | |
| I2CCON | 0206 | I2CEN | — | I2CSIDL | SCLREL | IPMIEN | A10M | DISSLW | SMEN | GCEN | STREN | ACKDT | ACKEN | RCEN | PEN | RSEN | SEN | 0001 0000 0000 0000 |
| I2CSTAT | 0208 | ACKSTAT | TRSTAT | — | — | — | BCL | GCSTAT | ADD10 | IWCOL | I2COV | D_A | P | S | R_W | RBF | TBF | 0000 0000 0000 0000 |
| I2CADD | 020A | — | — | — | — | — | — | Address Register | | | | | | | | 0000 0000 0000 0000 | | |

Note: Refer to the “*dsPIC30F Family Reference Manual*” (DS70046) for descriptions of register bit fields.

dsPIC30F1010/202X

NOTES:

15.0 UNIVERSAL ASYNCHRONOUS RECEIVER TRANSMITTER (UART) MODULE

Note: This data sheet summarizes features of this group of dsPIC30F devices and is not intended to be a complete reference source. For more information on the CPU, peripherals, register descriptions and general device functionality, refer to the “dsPIC30F Family Reference Manual” (DS70046).

The Universal Asynchronous Receiver Transmitter (UART) module is one of the serial I/O modules available in the dsPIC30F1010/202X device family. The UART is a full-duplex asynchronous system that can communicate with peripheral devices, such as personal computers, LIN, RS-232 and RS-485 interfaces. The module also includes an IrDA encoder and decoder.

The primary features of the UART module are:

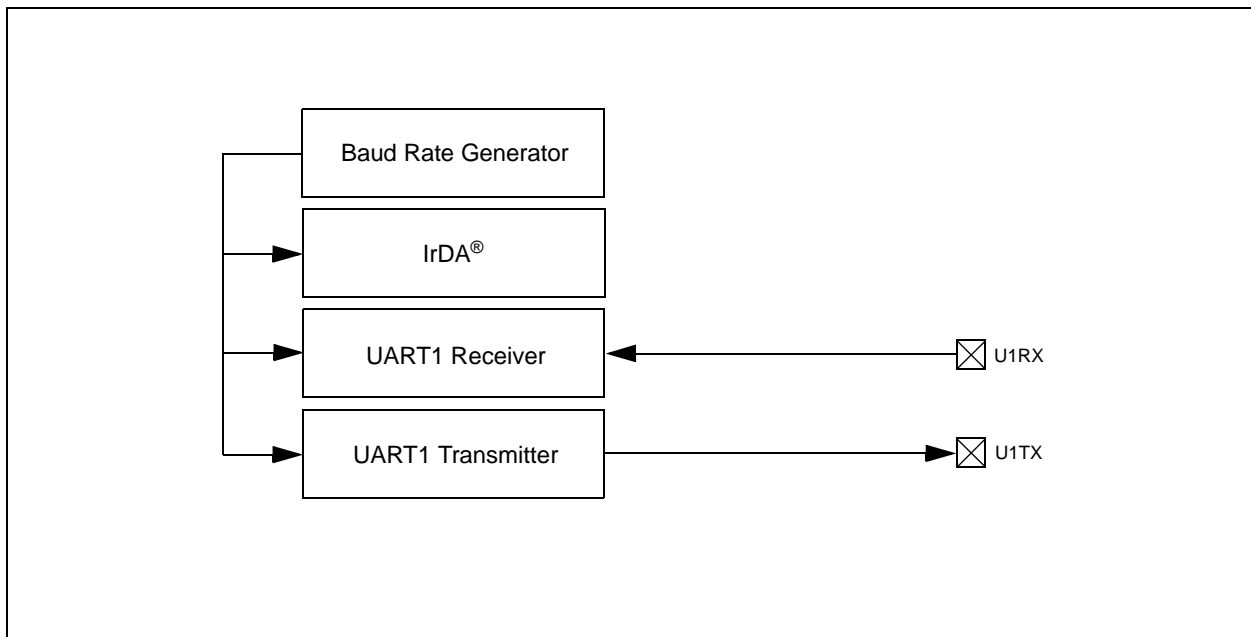
- Full-Duplex 8 or 9-bit Data Transmission through the U1TX and U1RX pins
- Even, Odd or No Parity Options (for 8-bit data)
- One or Two Stop bits
- Fully Integrated Baud Rate Generator with 16-bit Prescaler

- Baud Rates Ranging from 1 Mbps to 15 bps at 16 MIPS
- 4-Deep First-In-First-Out (FIFO) Transmit Data Buffer
- 4-Deep FIFO Receive Data Buffer
- Parity, Framing and Buffer Overrun Error Detection
- Support for 9-bit mode with Address Detect (9th bit = 1)
- Transmit and Receive Interrupts
- Loopback mode for Diagnostic Support
- Support for Sync and Break Characters
- Supports Automatic Baud Rate Detection
- IrDA Encoder and Decoder Logic
- 16x Baud Clock Output for IrDA Support

A simplified block diagram of the UART is shown in Figure 15-1. The UART module consists of these key important hardware elements:

- Baud Rate Generator
- Asynchronous Transmitter
- Asynchronous Receiver

FIGURE 15-1: UART SIMPLIFIED BLOCK DIAGRAM



dsPIC30F1010/202X

15.1 UART Baud Rate Generator (BRG)

The UART module includes a dedicated 16-bit Baud Rate Generator. The U1BRG register controls the period of a free-running 16-bit timer. Equation 15-1 shows the formula for computation of the baud rate with BRGH = 0.

EQUATION 15-1: UART BAUD RATE WITH BRGH = 0^(1,2,3)

$$\text{Baud Rate} = \frac{\text{FCY}}{16 \cdot (\text{U1BRG} + 1)}$$

$$\text{U1BRG} = \frac{\text{FCY}}{16 \cdot \text{Baud Rate}} - 1$$

- Note 1:** FCY denotes the instruction cycle clock frequency (FOSC/2).
- 2:** Assuming external oscillator with frequency of 15 MHz and PLL disabled, FCY is 7.5 MHz.
- 3:** Assuming external oscillator with frequency of 15 MHz and PLL enabled, FCY is 30 MHz.

Example 15-1 shows the calculation of the baud rate error for the following conditions:

- FCY = 7.5 MHz
- Desired Baud Rate = 9600

EXAMPLE 15-1: BAUD RATE ERROR CALCULATION (BRGH = 0)⁽¹⁾

$$\text{Desired Baud Rate} = \text{Fcy}/(16 (\text{U1BRG} + 1))$$

Solving for U1BRG value:

$$\text{U1BRG} = ((\text{FCY}/\text{Desired Baud Rate})/16) - 1$$

$$\text{U1BRG} = ((7500000/9600)/16) - 1$$

$$\text{U1BRG} = 48$$

$$\begin{aligned} \text{Calculated Baud Rate} &= 7500000/(16 (48 + 1)) \\ &= 9566 \end{aligned}$$

$$\begin{aligned} \text{Error} &= (\text{Calculated Baud Rate} - \text{Desired Baud Rate}) \\ &\quad \text{Desired Baud Rate} \\ &= (9566 - 9600)/9600 \\ &= -0.35\% \end{aligned}$$

Note 1: Based on T_{CY} = 2/FOSC, PLL are disabled.

The maximum baud rate (BRGH = 0) possible is FCY/16 (for U1BRG = 0), and the minimum baud rate possible is FCY/(16 * 65536).

Equation 15-2 shows the formula for computation of the baud rate with BRGH = 1.

EQUATION 15-2: UART BAUD RATE WITH BRGH = 1^(1,2,3)

$$\text{Baud Rate} = \frac{\text{FCY}}{4 \cdot (\text{U1BRG} + 1)}$$

$$\text{U1BRG} = \frac{\text{FCY}}{4 \cdot \text{Baud Rate}} - 1$$

- Note 1:** FCY denotes the instruction cycle clock frequency.
- 2:** Assuming external oscillator with frequency of 15 MHz and PLL disabled, FCY is 7.5 MHz.
- 3:** Assuming external oscillator with frequency of 15 MHz and PLL enabled, FCY is 30 MHz.

The maximum baud rate (BRGH = 1) possible is FCY/4 (for U1BRG = 0) and the minimum baud rate possible is FCY/(4 * 65536).

Writing a new value to the U1BRG register causes the BRG timer to be reset (cleared). This ensures the BRG does not wait for a timer overflow before generating the new baud rate.

15.2 Transmitting in 8-bit Data Mode

1. Set up the UART:
 - a) Write appropriate values for data, parity and Stop bits.
 - b) Write appropriate baud rate value to the U1BRG register.
 - c) Set up transmit and receive interrupt enable and priority bits.
2. Enable the UART.
3. Set the UTXEN bit (causes a transmit interrupt).
4. Write data byte to lower byte of TXxREG word. The value will be immediately transferred to the Transmit Shift Register (TSR), and the serial bit stream will start shifting out with next rising edge of the baud clock.
5. Alternately, the data byte may be transferred while UTXEN = 0, and then the user may set UTXEN. This will cause the serial bit stream to begin immediately because the baud clock will start from a cleared state.
6. A transmit interrupt will be generated as per interrupt control bit, UTXISELx.

15.3 Transmitting in 9-bit Data Mode

1. Set up the UART (as described in **Section 15.2 “Transmitting in 8-bit Data Mode”**).
2. Enable the UART.
3. Set the UTXEN bit (causes a transmit interrupt).
4. Write TXxREG as a 16-bit value only.
5. A word write to TXxREG triggers the transfer of the 9-bit data to the TSR. Serial bit stream will start shifting out with the first rising edge of the baud clock.
6. A transmit interrupt will be generated as per the setting of control bit, UTXISELx.

15.4 Break and Sync Transmit Sequence

The following sequence will send a message frame header made up of a Break, followed by an auto-baud Sync byte.

1. Configure the UART for the desired mode.
2. Set UTXEN and UTXBRK – sets up the Break character,
3. Load the TXxREG with a dummy character to initiate transmission (value is ignored).
4. Write '55h' to TXxREG – loads Sync character into the transmit FIFO.
5. After the Break has been sent, the UTXBRK bit is reset by hardware. The Sync character now transmits.

15.5 Receiving in 8-bit or 9-bit Data Mode

1. Set up the UART (as described in **Section 15.2 “Transmitting in 8-bit Data Mode”**).
2. Enable the UART.
3. A receive interrupt will be generated when one or more data characters have been received as per interrupt control bit, URXISELx.
4. Read the OERR bit to determine if an overrun error has occurred. The OERR bit must be reset in software.
5. Read RXxREG.

The act of reading the RXxREG character will move the next character to the top of the receive FIFO, including a new set of PERR and FERR values.

15.6 Built-in IrDA Encoder and Decoder

The UART has full implementation of the IrDA encoder and decoder as part of the UART module. The built-in IrDA encoder and decoder functionality is enabled using the IREN bit U1MODE<12>. When enabled (IREN = 1), the receive pin (U1RX) acts as the input from the infrared receiver. The transmit pin (U1TX) acts as the output to the infrared transmitter.

15.7 Alternate UART I/O Pins

An alternate set of I/O pins, U1ATX and U1ARX can be used for communications. The alternate UART pins are useful when the primary UART pins are shared by other peripherals. The alternate I/O pins are enabled by setting the ALTIO bit in the UxMODE register. If ALTIO = 1, the U1ATX and U1ARX pins are used by the UART module, instead of the U1TX and U1RX pins. If ALTIO = 0, the U1TX and U1RX pins are used by the UART module.

dsPIC30F1010/202X

REGISTER 15-1: U1MODE: UART1 MODE REGISTER

| | | | | | | | |
|--------|-----|-------|-------|-----|-------|-------|-----|
| R/W-0 | U-0 | R/W-0 | R/W-0 | U-0 | R/W-0 | U-0 | U-0 |
| UARTEN | — | USIDL | IREN | — | ALTIO | — | — |
| bit 15 | | | | | | bit 8 | |

| | | | | | | | |
|----------|--------|----------|-------|-------|--------|--------|-------|
| R/W-0 HC | R/W-0 | R/W-0 HC | R/W-0 | R/W-0 | R/W-0 | R/W-0 | R/W-0 |
| WAKE | LPBACK | ABAUD | RXINV | BRGH | PDSEL1 | PDSEL0 | STSEL |
| bit 7 | | | | | | bit 0 | |

Legend: U = Unimplemented bit, read as '0'

R = Readable bit

W = Writable bit

HC = Hardware Cleared

HS = Hardware Select

-n = Value at POR

'1' = Bit is set

'0' = Bit is cleared

x = Bit is unknown

- bit 15 **UARTEN:** UART1 Enable bit
 1 = UART1 enabled; all UART1 pins are controlled by UART1 as defined by UEN<1:0>
 0 = UART1 disabled; all UART1 pins are controlled by PORT latches; UART1 power consumption minimal
- bit 14 **Unimplemented:** Read as '0'
- bit 13 **USIDL:** Stop in Idle Mode bit
 1 = Discontinue module operation when device enters Idle mode
 0 = Continue module operation in Idle mode
- bit 12 **IREN:** IrDA Encoder and Decoder Enable bit
 1 = IrDA encoder and decoder enabled
 0 = IrDA encoder and decoder disabled
- Note:** This feature is only available for the 16x BRG mode (BRGH = 0).
- bit 11 **Unimplemented:** Read as '0'
- bit 10 **ALTIO:** UART Alternate I/O Selection bit
 1 = UART communicates using U1ATX and U1ARX I/O pins
 0 = UART communicates using U1TX and U1RX I/O pins.
- bit 9-8 **Unimplemented:** Read as '0'
- bit 7 **WAKE:** Wake-up on Start bit Detect During Sleep Mode Enable bit
 1 = UART1 will continue to sample the U1RX pin; interrupt generated on falling edge, bit cleared in hardware on following rising edge
 0 = No wake-up enabled
- bit 6 **LPBACK:** UART1 Loopback Mode Select bit
 1 = Enable Loopback mode
 0 = Loopback mode is disabled
- bit 5 **ABAUD:** Auto-Baud Enable bit
 1 = Enable baud rate measurement on the next character – requires reception of a Sync field (55h); cleared in hardware upon completion
 0 = Baud rate measurement disabled or completed
- bit 4 **RXINV:** Receive Polarity Inversion bit
 1 = U1RX Idle state is '0'
 0 = U1RX Idle state is '1'
- bit 3 **BRGH:** High Baud Rate Enable bit
 1 = BRG generates 4 clocks per bit period (4x Baud Clock, High-Speed mode)
 0 = BRG generates 16 clocks per bit period (16x Baud Clock, Standard mode)

REGISTER 15-1: U1MODE: UART1 MODE REGISTER (CONTINUED)

bit 2-1 **PDSEL1:PDSEL0:** Parity and Data Selection bits

11 = 9-bit data, no parity

10 = 8-bit data, odd parity

01 = 8-bit data, even parity

00 = 8-bit data, no parity

bit 0 **STSEL:** Stop Bit Selection bit

1 = Two Stop bits

0 = One Stop bit

dsPIC30F1010/202X

REGISTER 15-2: U1STA: UART1 STATUS AND CONTROL REGISTER

| | | | | | | | |
|----------|-----------------------|----------|-----|--------|-------|-------|-------|
| R/W-0 | R/W-0 | R/W-0 | U-0 | R/W-0 | R/W-0 | R/W-0 | R/W-0 |
| UTXISEL1 | UTXINV ⁽¹⁾ | UTXISEL0 | — | UTXBRK | UTXEN | UTXBF | TRMT |
| bit 15 | | | | | | | bit 8 |

| | | | | | | | |
|----------|----------|-------|-------|-------|-------|-------|-------|
| R/W-0 | R/W-0 | R/W-0 | R/W-0 | R/W-0 | R/W-0 | R/W-0 | R/W-0 |
| URXISEL1 | URXISEL0 | ADDEN | RIDL | PERR | FERR | OERR | URXDA |
| bit 7 | | | | | | | bit 0 |

Legend: U = Unimplemented bit, read as '0'

R = Readable bit

W = Writable bit

HS = Hardware Set

HC = Hardware Cleared

-n = Value at POR

'1' = Bit is set

'0' = Bit is cleared

x = Bit is unknown

- bit 15, 13 **UTXISEL1:UTXISEL0:** Transmission Interrupt Mode Selection bits
 11 =Reserved; do not use
 10 =Interrupt when a character is transferred to the Transmit Shift Register and as a result, the transmit buffer becomes empty
 01 =Interrupt when the last character is shifted out of the Transmit Shift Register; all transmit operations are completed
 00 =Interrupt when a character is transferred to the Transmit Shift Register (this implies there is at least one character open in the transmit buffer)
- bit 14 **UTXINV:** IrDA Encoder Transmit Polarity Inversion bit⁽¹⁾
 1 = IrDA encoded U1TX idle state is '1'
 0 = IrDA encoded U1TX idle state is '0'
Note 1: Value of bit only affects the transmit properties of the module when the IrDA encoder is enabled (IREN = 1).
- bit 12 **Unimplemented:** Read as '0'
- bit 11 **UTXBRK:** Transmit Break bit
 1 = Send Sync Break on next transmission – Start bit, followed by twelve '0' bits, followed by Stop bit; cleared by hardware upon completion
 0 = Sync Break transmission disabled or completed
- bit 10 **UTXEN:** Transmit Enable bit
 1 = Transmit enabled, U1TX pin controlled by UART1
 0 = Transmit disabled, any pending transmission is aborted and buffer is reset. U1TX pin controlled by PORT.
- bit 9 **UTXBF:** Transmit Buffer Full Status bit (Read-Only)
 1 = Transmit buffer is full
 0 = Transmit buffer is not full, at least one more character can be written
- bit 8 **TRMT:** Transmit Shift Register Empty bit (Read-Only)
 1 = Transmit Shift Register is empty and transmit buffer is empty (the last transmission has completed)
 0 = Transmit Shift Register is not empty, a transmission is in progress or queued
- bit 7-6 **URXISEL1:URXISEL0:** Receive Interrupt Mode Selection bits
 11 =Interrupt is set on RSR transfer, making the receive buffer full (i.e., has 4 data characters)
 10 =Interrupt is set on RSR transfer, making the receive buffer 3/4 full (i.e., has 3 data characters)
 0x =Interrupt is set when any character is received and transferred from the RSR to the receive buffer. Receive buffer has one or more characters.
- bit 5 **ADDEN:** Address Character Detect bit (bit 8 of received data = 1)
 1 = Address Detect mode enabled. If 9-bit mode is not selected, this does not take effect.
 0 = Address Detect mode disabled

REGISTER 15-2: U1STA: UART1 STATUS AND CONTROL REGISTER (CONTINUED)

| | |
|-------|--|
| bit 4 | RIDLE: Receiver Idle bit (Read-Only) 1 = Receiver is Idle 0 = Receiver is active |
| bit 3 | PERR: Parity Error Status bit (Read-Only) 1 = Parity error has been detected for the current character (character at the top of the receive FIFO) 0 = Parity error has not been detected |
| bit 2 | FERR: Framing Error Status bit (Read-Only) 1 = Framing error has been detected for the current character (character at the top of the receive FIFO) 0 = Framing error has not been detected |
| bit 1 | OERR: Receive Buffer Overrun Error Status bit (Read/Clear-Only) 1 = Receive buffer has overflowed 0 = Receive buffer has not overflowed (clearing a previously set OERR bit (1 → 0 transition) will reset the receiver buffer and the RSR to the empty state) |
| bit 0 | URXDA: Receive Buffer Data Available bit (Read-Only) 1 = Receive buffer has data, at least one more character can be read 0 = Receive buffer is empty |

TABLE 15-1: UART1 REGISTER MAP

| SFR Name | SFR Addr | Bit 15 | Bit 14 | Bit 13 | Bit 12 | Bit 11 | Bit 10 | Bit 9 | Bit 8 | Bit 7 | Bit 6 | Bit 5 | Bit 4 | Bit 3 | Bit 2 | Bit 1 | Bit 0 | All Resets |
|----------|----------|-------------------------------|--------|----------|--------|--------|--------|-------|------------------------|--------------|--------|-------|-------|-------|------------|-------|-------|------------|
| U1MODE | 0220 | UARTEN | — | USIDL | IREN | — | ALTIO | — | — | WAKE | LPBACK | ABAUD | RXINV | BRGH | PDSEL<1:0> | | STSEL | 0000 |
| U1STA | 0222 | UTXISEL1 | UTXINV | UTXISEL0 | — | UTXBRK | UTXEN | UTXBF | TRMT | URXISEL<1:0> | | ADDEN | RIDLE | PERR | FERR | OERR | URXDA | 0110 |
| U1TXREG | 0224 | — | — | — | — | — | — | — | UART Transmit Register | | | | | | | | | xxxx |
| U1RXREG | 0226 | — | — | — | — | — | — | — | UART Receive Register | | | | | | | | | 0000 |
| U1BRG | 0228 | Baud Rate Generator Prescaler | | | | | | | | | | | | | | | | 0000 |

Legend: x = unknown value on Reset, — = unimplemented, read as '0'. Reset values are shown in hexadecimal.

16.0 10-BIT 2 Msps ANALOG-TO-DIGITAL CONVERTER (ADC) MODULE

The dsPIC30F1010/202X devices provide high-speed successive approximation analog to digital conversions to support applications such as AC/DC and DC/DC power converters.

16.1 Features

- 10-bit resolution
- Uni-polar Inputs
- Up to 12 input channels
- ± 1 LSB accuracy
- Single supply operation
- 2000 ksps conversion rate at 5V
- 1000 ksps conversion rate at 3.0V
- Low power CMOS technology

16.2 Description

This ADC module is designed for applications that require low latency between the request for conversion and the resultant output data. Typical applications include:

- AC/DC power supplies
- DC/DC converters
- Power factor correction

This ADC works with the Power Supply PWM module in power control applications that require high-frequency control loops. This module can sample and convert two analog inputs in one microsecond. The one microsecond conversion delay reduces the “phase lag” between measurement and control system response.

Up to 4 inputs may be sampled at a time, and up to 12 inputs may request conversion at a time. If multiple inputs request conversion, the ADC will convert them in a sequential manner starting with the lowest order input.

This ADC design provides each pair of analog inputs (AN1,AN0), (AN3,AN2), ... , the ability to specify its own trigger source out of a maximum of sixteen different trigger sources. This capability allows this ADC to sample and convert analog inputs that are associated with PWM generators operating on independent time bases.

There is no operation during Sleep mode. The user applications typically require synchronization between analog data sampling and PWM output to the application circuit. The very high speed operation of this ADC module allows “data on demand”.

In addition, several hardware features have been added to the peripheral interface to improve real-time performance in a typical DSP based application.

1. Result alignment options
2. Automated sampling
3. External conversion start control

A block diagram of the ADC module is shown in Figure 16-1.

16.3 Module Functionality

The 10-bit 2 Msps ADC is designed to support power conversion applications when used with the Power Supply PWM module. The 10-bit 2 Msps ADC samples up to N ($N \leq 12$) inputs at a time and then converts two sampled inputs at a time. The quantity of sample and hold circuits is determined by a device's requirements. The 10-Bit 2 Msps ADC produces two 10-bit conversion results in 1 microsecond.

The ADC module supports up to 12 analog inputs. The sampled inputs are connected, via multiplexers, to the converter.

The analog reference voltage is defined as the device supply voltage (AV_{DD}/AV_{SS}).

The ADC module uses these Control and Status registers:

- A/D Control Register (ADCON)
- A/D Status Register (ADSTAT)
- A/D Base Register (ADBASE)
- A/D Port Configuration Register (ADPCFG)
- A/D Convert Pair Control Register 0 (ADCPC0)
- A/D Convert Pair Control Register 1 (ADCPC1)
- A/D Convert Pair Control Register 2 (ADCPC2)

The ADCON register controls the operation of the ADC module. The ADSTAT register displays the status of the conversion processes. The ADPCFG registers configure the port pins as analog inputs or as digital I/O. The CPC registers control the triggering of the ADC conversions. (See Register 16-1 through Register 16-7 for detailed bit configurations.)

Note: A unique feature of the ADC module is its ability to sample inputs in an asynchronous manner. Individual sample and hold circuits can be triggered independently of each other.

Note: The PLL must be enabled for the ADC module to function. This is achieved by using the FNO SC<1:0> bits in the FOSCSEL Configuration register.

dsPIC30F1010/202X

FIGURE 16-1: ADC BLOCK DIAGRAM



REGISTER 16-1: A/D CONTROL REGISTER (ADCON)

| | | | | | | | |
|--------|-------|---------|-----|-----|-----------|-------|-------|
| R/W-0 | U-0 | R/W-0 | U-0 | U-0 | R/W-0 | U-0 | R/W-0 |
| ADON | — | ADSIDL | — | — | GSWTRG | — | FORM |
| bit 15 | | | | | | bit 8 | |
| R/W-0 | R/W-0 | R/W-0 | U-0 | U-0 | R/W-0 | R/W-1 | R/W-1 |
| EIE | ORDER | SEQSAMP | — | — | ADCS<2:0> | | |
| bit 7 | | | | | | bit 0 | |

Legend:

R = Readable bit W = Writable bit U = Unimplemented bit, read as '0'
 -n = Value at POR '1' = Bit is set '0' = Bit is cleared x = Bit is unknown

- bit 15 **ADON:** A/D Operating Mode bit
 1 = A/D converter module is operating
 0 = A/D converter is off
- bit 14 **Unimplemented:** Read as '0'
- bit 13 **ADSIDL:** Stop in Idle Mode bit
 1 = Discontinue module operation when device enters Idle mode
 0 = Continue module operation in Idle mode
- bit 12-11 **Unimplemented:** Read as '0'
- bit 10 **GSWTRG:** Global Software Trigger bit
 When this bit is set by the user, it will trigger conversions if selected by the TRGSRC<4:0> bits in the ADCPCx registers. This bit must be cleared by the user prior to initiating another global trigger (i.e., this bit is not auto-clearing).
- bit 9 **Unimplemented:** Read as '0'
- bit 8 **FORM:** Data Output Format bit
 1 = Fractional (DOUT = dddd dddd dd00 0000)
 0 = Integer (DOUT = 0000 00dd dddd dddd)
- bit 7 **EIE:** Early Interrupt Enable bit
 1 = Interrupt is generated after first conversion is completed
 0 = Interrupt is generated after second conversion is completed
 Note: This control bit can only be changed while ADC is disabled (ADON = 0).
- bit 6 **ORDER:** Conversion Order bit
 1 = Odd numbered analog input is converted first, followed by conversion of even numbered input
 0 = Even numbered analog input is converted first, followed by conversion of odd numbered input
 Note: This control bit can only be changed while ADC is disabled (ADON = 0).
- bit 5 **SEQSAMP:** Sequential Sample Enable.
 1 = Shared S&H is sampled at the start of the second conversion if ORDER = 0. If ORDER = 1, then the shared S&H is sampled at the start of the first conversion.
 0 = Shared S&H is sampled at the same time the dedicated S&H is sampled if the shared S&H is not currently busy with an existing conversion process. If the shared S&H is busy at the time the dedicated S&H is sampled, then the shared S&H will sample at the start of the new conversion cycle
- bit 4-3 **Unimplemented:** Read as '0'

dsPIC30F1010/202X

REGISTER 16-1: A/D CONTROL REGISTER (ADCON) (CONTINUED)

bit 2-0

ADCS<2:0>: A/D Conversion Clock Divider Select bits

If PLL is enabled (assume 15 MHz external clock as clock source):

111 = FADC/18 = 13.3 MHz @ 30 MIPS

110 = FADC/16 = 15.0 MHz @ 30 MIPS

101 = FADC/14 = 17.1 MHz @ 30 MIPS

100 = FADC/12 = 20.0 MHz @ 30 MIPS

011 = FADC/10 = 24.0 MHz @ 30 MIPS

010 = FADC/8 = 30.0 MHz @ 30 MIPS

001 = FADC/6 = Reserved, defaults to 30 MHz @ 30 MIPS

000 = FADC/4 = Reserved, defaults to 30 MHz @ 30 MIPS

If PLL is disabled (assume 15 MHz external clock as clock source):

111 = FADC/18 = 0.83 MHz @ 7.5 MIPS

110 = FADC/16 = 0.93 MHz @ 7.5 MIPS

101 = FADC/14 = 1.07 MHz @ 7.5 MIPS

100 = FADC/12 = 1.25 MHz @ 7.5 MIPS

011 = FADC/10 = 1.5 MHz @ 7.5 MIPS

010 = FADC/8 = 1.87 MHz @ 7.5 MIPS

001 = FADC/6 = 2.5 MHz @ 7.5 MIPS

000 = FADC/4 = 3.75 MHz @ 7.5 MIPS

Note: See Figure 18-2 for ADC clock derivation.

REGISTER 16-2: A/D STATUS REGISTER (ADSTAT)

| | | | | | | | |
|--------|-----|-----|-----|-----|-----|-------|-----|
| U-0 | U-0 | U-0 | U-0 | U-0 | U-0 | U-0 | U-0 |
| — | — | — | — | — | — | — | — |
| bit 15 | | | | | | bit 8 | |

| | | | | | | | |
|-------|-----|--------------|--------------|--------------|--------------|--------------|--------------|
| U-0 | U-0 | R/C-0 H-S | R/C-0 H-S | R/C-0 H-S | R/C-0 H-S | R/C-0 H-S | R/C-0 H-S |
| — | — | P5RDY | P4RDY | P3RDY | P2RDY | P1RDY | P0RDY |
| bit 7 | | | | | | bit 0 | |

Legend:

| | | |
|-----------------------|-----------------------|------------------------------------|
| R = Readable bit | W = Writable bit | U = Unimplemented bit, read as '0' |
| -n = Value at POR | '1' = Bit is set | '0' = Bit is cleared |
| C = Clear in software | H-S = Set by hardware | x = Bit is unknown |

- bit 15-6 **Unimplemented:** Read as '0'
- bit 5 **P5RDY:** Conversion Data for Pair #5 Ready bit
Bit set when data is ready in buffer, cleared when a '0' is written to this bit.
- bit 4 **P4RDY:** Conversion Data for Pair #4 Ready bit
Bit set when data is ready in buffer, cleared when a '0' is written to this bit.
- bit 3 **P3RDY:** Conversion Data for Pair #3 Ready bit
Bit set when data is ready in buffer, cleared when a '0' is written to this bit.
- bit 2 **P2RDY:** Conversion Data for Pair #2 Ready bit
Bit set when data is ready in buffer, cleared when a '0' is written to this bit.
- bit 1 **P1RDY:** Conversion Data for Pair #1 Ready bit
Bit set when data is ready in buffer, cleared when a '0' is written to this bit.
- bit 0 **P0RDY:** Conversion Data for Pair #0 Ready bit
Bit set when data is ready in buffer, cleared when a '0' is written to this bit.

dsPIC30F1010/202X

REGISTER 16-3: A/D BASE REGISTER (ADBASE)

| | | | | | | | |
|--------------|-------|-------|-------|-------|-------|-------|-------|
| R/W-0 | R/W-0 | R/W-0 | R/W-0 | R/W-0 | R/W-0 | R/W-0 | R/W-0 |
| ADBASE<15:8> | | | | | | | |
| bit 15 | | | | | | | bit 8 |

| | | | | | | | |
|-------------|-------|-------|-------|-------|-------|-------|-------|
| R/W-0 | R/W-0 | R/W-0 | R/W-0 | R/W-0 | R/W-0 | R/W-0 | U-0 |
| ADBASE<7:1> | | | | | | | — |
| bit 7 | | | | | | | bit 0 |

Legend:

R = Readable bit W = Writable bit U = Unimplemented bit, read as '0'
 -n = Value at POR '1' = Bit is set '0' = Bit is cleared x = Bit is unknown

bit 15-1 **ADC Base Register:** This register contains the base address of the user's ADC Interrupt Service Routine jump table. This register, when read, contains the sum of the ADBASE register contents and the encoded value of the PxRDY Status bits.

The encoder logic provides the bit number of the highest priority PxRDY bits where P0RDY is the highest priority, and P5RDY is lowest priority.

Note: The encoding results are shifted left two bits so bits 1-0 of the result are always zero.

bit 0 **Unimplemented:** Read as '0'

Note: As an alternative to using the ADBASE Register, the ADCP0-5 ADC Pair Conversion Complete Interrupts (Interrupts 37-42) can be used to invoke A to D conversion completion routines for individual ADC input pairs. Refer to **Section 16.9 "Individual Pair Interrupts"**.

REGISTER 16-4: A/D PORT CONFIGURATION REGISTER (ADPCFG)

| | | | | | | | |
|--------|-----|-----|-----|--------|--------|-------|-------|
| U-0 | U-0 | U-0 | U-0 | R/W-0 | R/W-0 | R/W-0 | R/W-0 |
| — | — | — | — | PCFG11 | PCFG10 | PCFG9 | PCFG8 |
| bit 15 | | | | | | | bit 8 |

| | | | | | | | |
|-------|-------|-------|-------|-------|-------|-------|-------|
| R/W-0 | R/W-0 | R/W-0 | R/W-0 | R/W-0 | R/W-0 | R/W-0 | R/W-0 |
| PCFG7 | PCFG6 | PCFG5 | PCFG4 | PCFG3 | PCFG2 | PCFG1 | PCFG0 |
| bit 7 | | | | | | | bit 0 |

Legend:

R = Readable bit W = Writable bit U = Unimplemented bit, read as '0'
 -n = Value at POR '1' = Bit is set '0' = Bit is cleared x = Bit is unknown

bit 15-12 **Unimplemented:** Read as '0'

bit 11-0 **PCFG<11:0>:** A/D Port Configuration Control bits

1 = Port pin in Digital mode, port read input enabled, A/D input multiplexor connected to AVss
 0 = Port pin in Analog mode, port read input disabled, A/D samples pin voltage

REGISTER 16-5: A/D CONVERT PAIR CONTROL REGISTER 0 (ADCPC0)

| | | | | | | | |
|--------|-------|--------|--------------|-------|-------|-------|-------|
| R/W-0 | R/W-0 | R/W-0 | R/W-0 | R/W-0 | R/W-0 | R/W-0 | R/W-0 |
| IRQEN1 | PEND1 | SWTRG1 | TRGSRC1<4:0> | | | | |
| bit 15 | | | | | | | bit 8 |
| R/W-0 | R/W-0 | R/W-0 | R/W-0 | R/W-0 | R/W-0 | R/W-0 | R/W-0 |
| IRQEN0 | PEND0 | SWTRG0 | TRGSRC0<4:0> | | | | |
| bit 7 | | | | | | | bit 0 |

Legend:

R = Readable bit W = Writable bit U = Unimplemented bit, read as '0'
-n = Value at POR '1' = Bit is set '0' = Bit is cleared x = Bit is unknown

- bit 15 **IRQEN1:** Interrupt Request Enable 1 bit
1 = Enable IRQ generation when requested conversion of channels AN3 and AN2 is completed
0 = IRQ is not generated
- bit 14 **PEND1:** Pending Conversion Status 1 bit
1 = Conversion of channels AN3 and AN2 is pending. Set when selected trigger is asserted
0 = Conversion is complete
- bit 13 **SWTRG1:** Software Trigger 1 bit
1 = Start conversion of AN3 and AN2 (if selected in TRGSRC bits). If other conversions are in progress, then conversion will be performed when the conversion resources are available. This bit will be reset when the PEND bit is set.
- bit 12-8 **TRGSRC1<4:0>:** Trigger 1 Source Selection bits
Selects trigger source for conversion of analog channels AN3 and AN2.
00000 = No conversion enabled
00001 = Individual software trigger selected
00010 = Global software trigger selected
00011 = PWM Special Event Trigger selected
00100 = PWM generator #1 trigger selected
00101 = PWM generator #2 trigger selected
00110 = PWM generator #3 trigger selected
00111 = PWM generator #4 trigger selected
01100 = Timer #1 period match
01101 = Timer #2 period match
01110 = PWM GEN #1 current-limit ADC trigger
01111 = PWM GEN #2 current-limit ADC trigger
10000 = PWM GEN #3 current-limit ADC trigger
10001 = PWM GEN #4 current-limit ADC trigger
10110 = PWM GEN #1 fault ADC trigger
10111 = PWM GEN #2 fault ADC trigger
11000 = PWM GEN #3 fault ADC trigger
11001 = PWM GEN #4 fault ADC trigger
- bit 7 **IRQEN0:** Interrupt Request Enable 0 bit
1 = Enable IRQ generation when requested conversion of channels AN1 and AN0 is completed
0 = IRQ is not generated
- bit 6 **PEND0:** Pending Conversion Status 0 bit
1 = Conversion of channels AN1 and AN0 is pending. Set when selected trigger is asserted.
0 = Conversion is complete
- bit 5 **SWTRG0:** Software Trigger 0 bit
1 = Start conversion of AN1 and AN0 (if selected by TRGSRC bits). If other conversions are in progress, then conversion will be performed when the conversion resources are available. This bit will be reset when the PEND bit is set

dsPIC30F1010/202X

REGISTER 16-5: A/D CONVERT PAIR CONTROL REGISTER 0 (ADCPC0) (CONTINUED)

bit 4-0 **TRGSRC0<4:0>**: Trigger 0 Source Selection bits
Selects trigger source for conversion of analog channels AN1 and AN0.

- 00000 = No conversion enabled
- 00001 = Individual software trigger selected
- 00010 = Global software trigger selected
- 00011 = PWM Special Event Trigger selected
- 00100 = PWM generator #1 trigger selected
- 00101 = PWM generator #2 trigger selected
- 00110 = PWM generator #3 trigger selected
- 00111 = PWM generator #4 trigger selected
- 01100 = Timer #1 period match
- 01101 = Timer #2 period match
- 01110 = PWM GEN #1 current-limit ADC trigger
- 01111 = PWM GEN #2 current-limit ADC trigger
- 10000 = PWM GEN #3 current-limit ADC trigger
- 10001 = PWM GEN #4 current-limit ADC trigger
- 10110 = PWM GEN #1 fault ADC trigger
- 10111 = PWM GEN #2 fault ADC trigger
- 11000 = PWM GEN #3 fault ADC trigger
- 11001 = PWM GEN #4 fault ADC trigger

REGISTER 16-6: A/D CONVERT PAIR CONTROL REGISTER 1 (ADCPC1)

| | | | | | | | |
|--------|-------|--------|--------------|-------|-------|-------|-------|
| R/W-0 | R/W-0 | R/W-0 | R/W-0 | R/W-0 | R/W-0 | R/W-0 | R/W-0 |
| IRQEN3 | PEND3 | SWTRG3 | TRGSRC3<4:0> | | | | |
| bit 15 | | | | | | | bit 8 |

| | | | | | | | |
|--------|-------|--------|--------------|-------|-------|-------|-------|
| R/W-0 | R/W-0 | R/W-0 | R/W-0 | R/W-0 | R/W-0 | R/W-0 | R/W-0 |
| IRQEN2 | PEND2 | SWTRG2 | TRGSRC2<4:0> | | | | |
| bit 7 | | | | | | | bit 0 |

Legend:

R = Readable bit W = Writable bit U = Unimplemented bit, read as '0'
 -n = Value at POR '1' = Bit is set '0' = Bit is cleared x = Bit is unknown

- bit 15 **IRQEN3:** Interrupt Request Enable 3 bit
 1 = Enable IRQ generation when requested conversion of channels AN7 and AN6 is completed.
 0 = IRQ is not generated
- bit 14 **PEND3:** Pending Conversion Status 3 bit
 1 = Conversion of channels AN7 and AN6 is pending. Set when selected trigger is asserted.
 0 = Conversion is complete
- bit 13 **SWTRG3:** Software Trigger 3 bit
 1 = Start conversion of AN7 and AN6 (if selected by TRGSRC bits). If other conversions are in progress, then conversion will be performed when the conversion resources are available. This bit will be reset when the PEND bit is set.
- bit 12-8 **TRGSRC3<4:0>:** Trigger 3 Source Selection bits
 Selects trigger source for conversion of analog channels A7 and A6.
 00000 = No conversion enabled
 00001 = Individual software trigger selected
 00010 = Global software trigger selected
 00011 = PWM Special Event Trigger selected
 00100 = PWM generator #1 trigger selected
 00101 = PWM generator #2 trigger selected
 00110 = PWM generator #3 trigger selected
 00111 = PWM generator #4 trigger selected
 01100 = Timer #1 period match
 01101 = Timer #2 period match
 01110 = PWM GEN #1 current-limit ADC trigger
 01111 = PWM GEN #2 current-limit ADC trigger
 10000 = PWM GEN #3 current-limit ADC trigger
 10001 = PWM GEN #4 current-limit ADC trigger
 10110 = PWM GEN #1 fault ADC trigger
 10111 = PWM GEN #2 fault ADC trigger
 11000 = PWM GEN #3 fault ADC trigger
 11001 = PWM GEN #4 fault ADC trigger
- bit 7 **IRQEN2:** Interrupt Request Enable 2 bit
 1 = Enable IRQ generation when requested conversion of channels AN5 and AN4 is completed
 0 = IRQ is not generated
- bit 6 **PEND2:** Pending Conversion Status 2 bit
 1 = Conversion of channels AN5 and AN4 is pending. Set when selected trigger is asserted
 0 = Conversion is complete
- bit 5 **SWTRG2:** Software Trigger 2 bit
 1 = Start conversion of AN5 and AN4 (if selected by TRGSRC bits). If other conversions are in progress, then conversion will be performed when the conversion resources are available. This bit will be reset when the PEND bit is set

dsPIC30F1010/202X

REGISTER 16-6: A/D CONVERT PAIR CONTROL REGISTER 1 (ADCPC1) (CONTINUED)

bit 4-0 **TRGSRC2<4:0>**: Trigger 2 Source Selection bits
Selects trigger source for conversion of analog channels: AN5 and AN4

- 00000 = No conversion enabled
- 00001 = Individual software trigger selected
- 00010 = Global software trigger selected
- 00011 = PWM Special Event Trigger selected
- 00100 = PWM generator #1 trigger selected
- 00101 = PWM generator #2 trigger selected
- 00110 = PWM generator #3 trigger selected
- 00111 = PWM generator #4 trigger selected
- 01100 = Timer #1 period match
- 01101 = Timer #2 period match
- 01110 = PWM GEN #1 current-limit ADC trigger
- 01111 = PWM GEN #2 current-limit ADC trigger
- 10000 = PWM GEN #3 current-limit ADC trigger
- 10001 = PWM GEN #4 current-limit ADC trigger
- 10110 = PWM GEN #1 fault ADC trigger
- 10111 = PWM GEN #2 fault ADC trigger
- 11000 = PWM GEN #3 fault ADC trigger
- 11001 = PWM GEN #4 fault ADC trigger

REGISTER 16-7: A/D CONVERT PAIR CONTROL REGISTER 2 (ADCPC2)

| | | | | | | | |
|--------|-------|--------|--------------|-------|-------|-------|-------|
| R/W-0 | R/W-0 | R/W-0 | R/W-0 | R/W-0 | R/W-0 | R/W-0 | R/W-0 |
| IRQEN5 | PEND5 | SWTRG5 | TRGSRC5<4:0> | | | | |
| bit 15 | | | | | | | bit 8 |

| | | | | | | | |
|--------|-------|--------|--------------|-------|-------|-------|-------|
| R/W-0 | R/W-0 | R/W-0 | R/W-0 | R/W-0 | R/W-0 | R/W-0 | R/W-0 |
| IRQEN4 | PEND4 | SWTRG4 | TRGSRC4<4:0> | | | | |
| bit 7 | | | | | | | bit 0 |

Legend:

| | | |
|-------------------|------------------|------------------------------------|
| R = Readable bit | W = Writable bit | U = Unimplemented bit, read as '0' |
| -n = Value at POR | '1' = Bit is set | '0' = Bit is cleared |
| | | x = Bit is unknown |

- bit 15 **IRQEN5:** Interrupt Request Enable 5 bit
 1 = Enable IRQ generation when requested conversion of channels AN11 and AN10 is completed
 0 = IRQ is not generated
- bit 14 **PEND5:** Pending Conversion Status 5 bit
 1 = Conversion of channels AN11 and AN10 is pending. Set when selected trigger is asserted
 0 = Conversion is complete
- bit 13 **SWTRG5:** Software Trigger 5 bit
 1 = Start conversion of AN11 and AN10 (if selected by TRGSRC bits). If other conversions are in progress, then conversion will be performed when the conversion resources are available. This bit will be reset when the PEND bit is set.
- bit 12-8 **TRGSRC5<4:0>:** Trigger Source Selection 5 bits
 Selects trigger source for conversion of analog channels A11 and A10.
 00000 = No conversion enabled
 00001 = Individual software trigger selected
 00010 = Global software trigger selected
 00011 = PWM Special Event Trigger selected
 00100 = PWM generator #1 trigger selected
 00101 = PWM generator #2 trigger selected
 00110 = PWM generator #3 trigger selected
 00111 = PWM generator #4 trigger selected
 01100 = Timer #1 period match
 01101 = Timer #2 period match
 01110 = PWM GEN #1 current-limit ADC trigger
 01111 = PWM GEN #2 current-limit ADC trigger
 10000 = PWM GEN #3 current-limit ADC trigger
 10001 = PWM GEN #4 current-limit ADC trigger
 10110 = PWM GEN #1 fault ADC trigger
 10111 = PWM GEN #2 fault ADC trigger
 11000 = PWM GEN #3 fault ADC trigger
 11001 = PWM GEN #4 fault ADC trigger
- bit 7 **IRQEN4:** Interrupt Request Enable 4 bit
 1 = Enable IRQ generation when requested conversion of channels AN9 and AN8 is completed
 0 = IRQ is not generated
- bit 6 **PEND4:** Pending Conversion Status 4 bit
 1 = Conversion of channels AN9 and AN8 is pending. Set when selected trigger is asserted.
 0 = Conversion is complete
- bit 5 **SWTRG4:** Software Trigger 4 bit
 1 = Start conversion of AN9 and AN8 (if selected by TRGSRC bits). If other conversions are in progress, then conversion will be performed when the conversion resources are available. This bit will be reset when the PEND bit is set.

dsPIC30F1010/202X

REGISTER 16-7: A/D CONVERT PAIR CONTROL REGISTER 2 (ADCPC2) (CONTINUED)

bit 4-0 **TRGSRC4<4:0>**: Trigger Source Selection 4 bits
Selects trigger source for conversion of analog channels: AN9 and AN8

- 00000 = No conversion enabled
- 00001 = Individual software trigger selected
- 00010 = Global software trigger selected
- 00011 = PWM Special Event Trigger selected
- 00100 = PWM generator #1 trigger selected
- 00101 = PWM generator #2 trigger selected
- 00110 = PWM generator #3 trigger selected
- 00111 = PWM generator #4 trigger selected
- 01100 = Timer #1 period match
- 01101 = Timer #2 period match
- 01110 = PWM GEN #1 current-limit ADC trigger
- 01111 = PWM GEN #2 current-limit ADC trigger
- 10000 = PWM GEN #3 current-limit ADC trigger
- 10001 = PWM GEN #4 current-limit ADC trigger
- 10110 = PWM GEN #1 fault ADC trigger
- 10111 = PWM GEN #2 fault ADC trigger
- 11000 = PWM GEN #3 fault ADC trigger
- 11001 = PWM GEN #4 fault ADC trigger

16.4 ADC Result Buffer

The ADC module contains up to 12 data output registers to store the A/D results called ADCBUF<11:0>. The registers are 10 bits wide, but are read into different format, 16-bit words. The buffers are read-only.

Each analog input has a corresponding data output register.

This module DOES NOT include a circular data buffer or FIFO. Because the conversion results may be produced in any order, such schemes will not work since there would be no means to determine which data is in a specific location.

The SAR write to the buffers is synchronous to the ADC clock. Reads from the buffers will always have valid data assuming that the data-ready interrupt has been processed.

If a buffer location has not been read by the software and the SAR needs to overwrite that location, the previous data is lost.

Reads from the result buffer pass through the data formatter. The 10 bits of the result data are formatted into a 16-bit word.

16.5 Application Information

The ADC module implements a concept based on "Conversion Pairs". In power conversion applications, there is a need to measure voltages and currents for each PWM control loop. The ADC module enables the sample and conversion process of each conversion pair to be precisely timed relative to the PWM signals.

In a user's application circuit, the PWM signal enables a transistor, which allows an inductor to charge up with current to a desired value. The longer a PWM signal is on, the longer the inductor is charging, and therefore the inductor current is at its maximum at the end of the PWM signal. Often, this is the point where the user wants to take the current and voltage measurements.

Figure 16-2 shows a typical power conversion application (a boost converter) where the current sensing of the inductor is done by monitoring the voltage across a resistor in series with the power transistor that "charges" the inductor. The significant feature of this figure is that if the sampling of the resistor voltage occurs slightly later than the desired sample point, the data read will be zero. This is not acceptable in most applications. The ADC module always samples the analog voltages at the appointed time regardless of whether the ADC converter is busy or not.

The Power Supply PWM module supports 2-4 independent PWM channels as well as 2-4 trigger signals (one per PWM generator). The user can configure these channels to initiate an ADC conversion of a selected input pair at the proper time in the PWM cycle. The Power Supply PWM module also provides an additional trigger signal (Special Event Trigger), which can be programmed to occur at a specified time during the primary time base count cycle.

FIGURE 16-2: APPLICATION EXAMPLE: IMPORTANCE OF PRECISE SAMPLING



16.6 Reverse Conversion Order

The ORDER control bit in the ADCON register, when set, reverses the order of the input pair conversion process. Normally (ORDER = 0), the even numbered input of an input pair is converted first and then the odd numbered input is converted. If ORDER = 1, the odd numbered input pin of an input pair is converted first, followed by the even numbered pin.

This feature is useful when using voltage control modes and using the early interrupt capability (EIE = 1). These features enable the user to minimize the time period from actual acquisition of the feedback (ADC) data to the update of the control output (PWM). This time from input to output of the control system determines the overall stability of the control system.

16.7 Simultaneous and Sequential Sampling in a pair

The inputs that have dedicated Sample and Hold (S&H) circuits are sampled when their specified trigger events occur. The inputs that share the common sample and hold circuit are sampled in the following manner:

1. If the SEQSAMP bit = 0, and the common (shared) sample and hold circuit is NOT busy, then the shared S&H will sample their specified input at the same time as the dedicated S&H. This action provides "Simultaneous" sample and hold functionality.
2. If the SEQSAMP bit = 0, and the shared S&H is currently busy with a conversion in progress, then the shared S&H will sample as soon as possible (at the start of the new conversion process for the pair).
3. If the SEQSAMP bit = 1, then the shared S&H will sample at the start of the conversion process for that input. For example: If the ORDER bit = 0 the shared S&H will sample at the start of the conversion of the second input. If ORDER = 1, then the shared S&H will sample at the start of the conversion for the first input.

The SEQSAMP bit is useful for some applications that want to minimize the time from a sample event to the conversion of the sample.

When SEQSAMP = 0, the logic attempts to take the samples for both inputs of a pair at the same time if the resources are available. The user can often ensure that the ADC will not be busy with a prior conversion by controlling the timing of the trigger signals that initiate the conversion processes.

16.8 Group Interrupt Generation

The ADC module provides a common or "Group" interrupt request that is the OR of all of the enabled interrupt sources within the module. Each CPC register has two IRQENx bits, one for each analog input pair. If the IRQEN bit is set, an interrupt request is made to the interrupt controller when the requested conversion is completed. When an interrupt is generated, an associated PxRDY bit in the ADSTAT register is set. The PxRDY bit is cleared by the user. The user's software can examine the ADSTAT register's PxRDY bits to determine if additional requested conversions have been completed.

The group interrupt is useful for applications that use a common software routine to process ADC interrupts for multiple analog input pairs. This method is more traditional in concept.

| |
|--|
| <p>Note: The user must clear the IFS bit associated with the ADC in the interrupt controller before the PxRDY bit is cleared. Failure to do so may cause interrupts to be lost. The reason is that the ADC will possibly have another interrupt pending. If the user clears the PxRDY bit first, the ADC may generate another interrupt request, but if the user then clears the IFS bit, the interrupt request will be erased.</p> |
|--|

16.9 Individual Pair Interrupts

The ADC module also provides individual interrupts outputs for each analog input pair. These interrupts are always enabled within the module. The pair interrupts can be individually enabled or disabled via the associated interrupt enable bits in the IEC registers.

Using the group interrupts may require the interrupt service routine to determine which interrupt source generated the interrupt. For applications that use separate software tasks to process ADC data, a common interrupt vector can cause performance bottlenecks.

The use of the individual pair interrupts can save many clock cycles compared to using the group interrupt to process multiple interrupt sources. The individual pair interrupts support the construction of application software that is responsive and organized on a task basis.

Regardless of whether an individual pair interrupt or the global interrupt are used to respond to an interrupt request from an ADC conversion, the PxRDY bits in the ADSTAT register function in the same manner.

The use of the individual pair interrupts also enables the user to change the interrupt priority of individual ADC channels (pairs) as compared to the fixed priority structure of the group interrupt.

NOTE: The use of individual interrupts DOES NOT affect the priority structure of the ADC with respect to the order of input pair conversion.

The use of individual interrupts can reduce the problem of accidentally “losing” a pending interrupt while processing and clearing a current interrupt

16.10 Early Interrupt Generation

The EIE control bit in the ADCON register enables the generation of the interrupts after completion of the first conversion instead of waiting for the completion of both inputs of an input pair. Even though the second input will still be in the conversion process, the software can be written to perform some of the computations using the first data value while the second conversion is completed.

The user software can be written to account for the 500 nsec conversion period of the second input before using the second data, or the user can poll the PEND bit in the ADCPCx register.

The PEND bit remains set until both conversions of a pair have been completed. The PxRDY bit for the associated interrupt is set in the ADSTAT register at the completion of the first conversion, and remains set until it is cleared by the user.

16.11 Conflict Resolution

If more than one conversion pair request is active at the same time, the ADC control logic processes the requests in a top-down manner, starting at analog pair #0 (AN1/AN0) and ending at analog pair #5 (AN11/AN10). This is not a “round-robin” process.

16.12 Deliberate Conflicts

If the user specifies the same conversion trigger source for multiple “conversion pairs”, then the ADC module functions like other dsPIC30F ADC modules; i.e., it processes the requested conversions sequentially (in pairs) until the sequence has been completed.

Note: The ADC module will NOT repeatedly loop once triggered. Each sequence of conversions requires a trigger or multiple triggers.

16.13 ADC Clock Selection

The ADCS<2:0> bits in the ADCON register specify the clock divisor value for the ADC clock generation logic. The input to the ADC clock divisor is the system clock (240 MHz @ 30 MIPS) when the PLL is operating. This high-frequency clock provides the needed timing resolution to generate a 24 MHz ADC clock signal required to process two ADC conversions in 1 microsecond.

16.14 ADC Base Register

It is expected that the user application may have the ADC module generate 500,000 interrupts per second. To speed the evaluation of the PxRDY bits in the ADSTAT register, the ADC module features the read/write register: ADBASE. When read, the ADBASE register provides a sum of the contents of the ADBASE register plus an encoding of the PxRDY bits set in the ADSTAT register.

The Least Significant bit of the ADBASE register is forced to zero, which ensures that all (ADBASE + PxRDY) results are on instruction boundaries.

The PxRDY bits are binary priority encoded; P0RDY is the highest priority and P5RDY is the lowest priority. The encoded priority result is shifted left two bit positions and added to the contents of the ADBASE register. Thus the priority encoding yields addresses that are on two instruction word boundaries.

The user will typically load the ADBASE register with the base address of a “Jump” table that contains either the addresses of the appropriate ISRs or branches to the appropriate ISR. The encoded PxRDY values are set up to reserve two instruction words per entry in the Jump table. It is expected that the user software will use one instruction word to load an identifier into a W register, and the other instruction will be a branch to the appropriate ISR.

dsPIC30F1010/202X

Example 16-1 shows a code sequence for using the ADBASE register to implement ADC Input Pair Interrupt Handling. When the ADBASE register is read, it contains the sum of the base address of the jump table and the encoded ADC channel pair number left shifted by 2 bits.

For example, if ADBASE is initialized with a value of 0x0360, a channel pair 1 interrupt would cause an ADBASE read value of 0x0364 (0x360 + 0b00000100). A channel pair 3 interrupt would cause an ADBASE read value of 0x036C (0x360 + 0b00001100).

EXAMPLE 16-1: ADC BASE REGISTER CODE

```
; Initialize and enable the ADC interrupt

MOV    #handle(JMP_TBL),W0    ; Load the base address of the ISR Jump
MOVW0, ADBASE                ; table in ADBASE.

BSET   IPC2,#12              ; Set up the interrupt priority
BSET   IPC2,#13
BSET   IPC2,#14

BCLR   IFS0,#11              ; Clear any pending interrupts
BCLR   ADSTAT                ; Clear the ADC pair interrupts as well

BSET   IEC0,#11              ; Enable the interrupt

; Code to Initialize the rest of the ADC registers
...
...
...

; ADC Interrupt Handler
__ADCInterrupt:

    PUSH.S                    ; Save W0-W3 and SR registers

    BCLR   IFS0,#11           ; Clear the interrupt
    MOV    ADBASE, W0         ; ADBASE contains the encoded jump address
    GOTO   W0                 ; within JMP_TBL

; Here's the Jump Table
; Note: It is important to clear the individual IRQ flags in the ADC AFTER the IRQ flags
; in the interrupt controller. Failure to do so may cause interrupt requests to be lost

JMP_TBL:

    BCLR   ADSTAT,#0          ; Clear the IRQ flag in the ADC
    BRA    ADC_PAIR0_PROC     ; Actual Pair 0 Conversion Interrupt Handler

    BCLR   ADSTAT,#1          ; Clear the IRQ flag in the ADC
    BRA    ADC_PAIR1_PROC     ; Actual Pair 1 Conversion Interrupt Handler

    BCLR   ADSTAT,#2          ; Clear the IRQ flag in the ADC
    BRA    ADC_PAIR2_PROC     ; Actual Pair 2 Conversion Interrupt Handler

    BCLR   ADSTAT,#3          ; Clear the IRQ flag in the ADC
    BRA    ADC_PAIR3_PROC     ; Actual Pair 3 Conversion Interrupt Handler

    BCLR   ADSTAT,#4          ; Clear the IRQ flag in the ADC
    BRA    ADC_PAIR4_PROC     ; Actual Pair 4 Conversion Interrupt Handler
```


EXAMPLE 16-1: ADC BASE REGISTER CODE (CONTINUED)

```

; The actual pair conversion interrupt handler
; Don't forget to pop the stack when done and return from interrupt

ADC_PAIR0_PROC:

    ...                ; The ADC pair 0 conversion complete handler
    POP.S              ; Restore W0-W3 and SR registers
    RETFIE             ; Return from Interrupt

ADC_PAIR1_PROC:

    ...                ; The ADC pair 1 conversion complete handler
    POP.S              ; Restore W0-W3 and SR registers
    RETFIE             ; Return from Interrupt

ADC_PAIR2_PROC:

    ...                ; The ADC pair 2 conversion complete handler
    POP.S              ; Restore W0-W3 and SR registers
    RETFIE             ; Return from Interrupt

ADC_PAIR3_PROC:

    ...                ; The ADC pair 3 conversion complete handler
    POP.S              ; Restore W0-W3 and SR registers
    RETFIE             ; Return from Interrupt

ADC_PAIR4_PROC:

    ...                ; The ADC pair 4 conversion complete handler
    POP.S              ; Restore W0-W3 and SR registers
    RETFIE             ; Return from Interrupt

ADC_PAIR5_PROC:

    ...                ; The ADC pair 5 conversion complete handler
    POP.S              ; Restore W0-W3 and SR registers
    RETFIE             ; Return from Interrupt

```

16.15 Changing A/D Clock

In general, the ADC cannot accept changes to the ADC clock divisor while $ADON = 1$. If the user makes A/D clock changes while $ADON = 1$, the results will be indeterminate.

16.16 Sample and Conversion

The ADC module always assigns two ADC clock periods for the sampling process. When operating at the maximum conversion rate of 2 Msps per channel, the sampling period is:

$$2 \times 41.6 \text{ nsec} = 83.3 \text{ nsec.}$$

Each ADC pair specified in the ADCPCx registers initiates a sample operation when the selected trigger event occurs. The conversion of the sampled analog data occurs as resources become available.

If a new trigger event occurs for a specific channel before a previous sample and convert request for that channel has been processed, the newer request is ignored. It is the user's responsibility not to exceed the conversion rate capability for the module.

The actual conversion process requires 10 additional ADC clocks. The conversion is processed serially, bit 9 first, then bit 8, down to bit 0. The result is stored when the conversion is completed.

dsPIC30F1010/202X

16.17 A/D Sample and Convert Timing

The sample and hold circuits assigned to the input pins have their own timing logic that is triggered when an external sample and convert request (from PWM or TMR) is made. The sample and hold circuits have a fixed two clock data sample period. When the sample has been acquired, then the ADC control logic is noti-

fied of a pending request, then the conversion is performed as the conversion resources become available.

The ADC module always converts pairs of analog input channels, so a typical conversion process requires 24 clock cycles.

FIGURE 16-3: DETAILED CONVERSION SEQUENCE TIMINGS, SEQSMAMP = 0, NOT BUSY

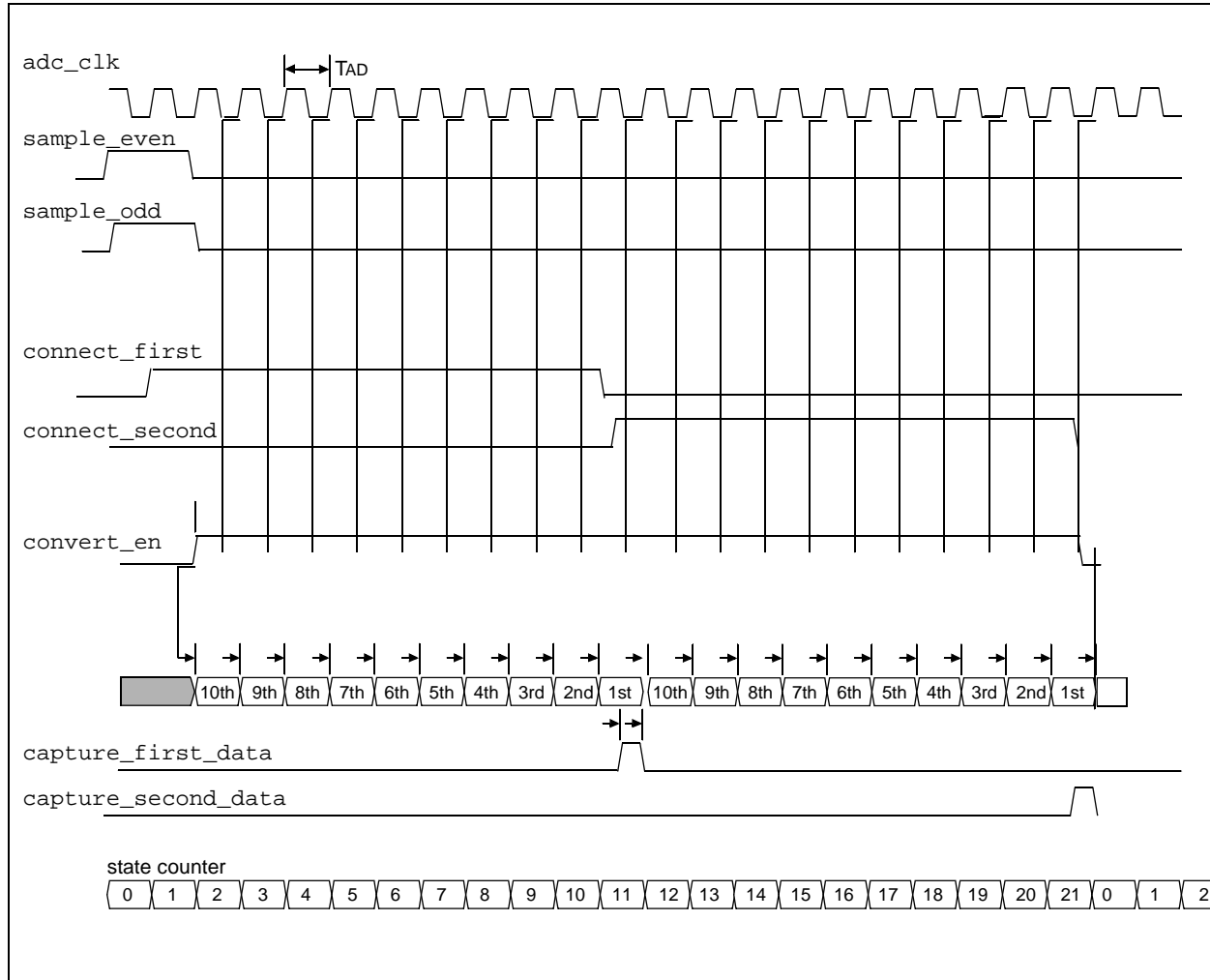
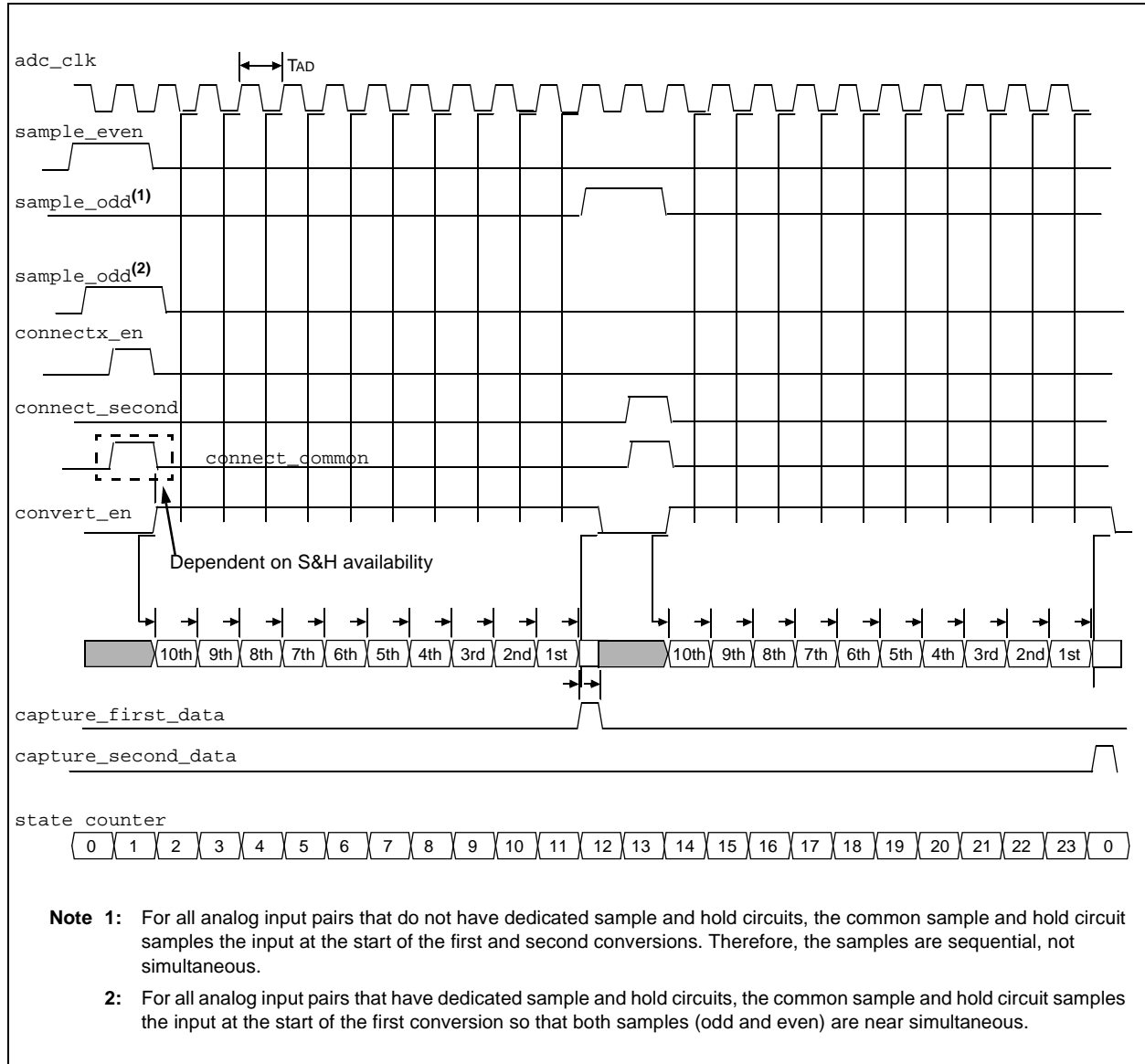


FIGURE 16-4: DETAILED CONVERSION SEQUENCE TIMINGS, SEQ_SAMP = 1



16.18 Module Power-Down Modes

The module has two internal power modes.

When the ADON bit is '1', the module is in Active mode and is fully powered and functional.

When ADON is '0', the module is in Off mode. The state machine for the module is reset, as are all of the pending conversion requests.

To return to the Active mode from Off mode, the user must wait for the bias generators to stabilize. The stabilization time is specified in the electrical specs.

16.19 Effects of a Reset

A device Reset forces all registers to their Reset state. This forces the ADC module to be turned off, and any conversion and sampling sequence is aborted. The value that is in the ADCBUFx register is not modified.

The ADCBUFx registers contain unknown data after a Power-on Reset.

16.20 Configuring Analog Port Pins

The use of the ADPCFG and TRIS registers control the operation of the A/D port pins.

The port pins that are desired as analog inputs should have their corresponding TRIS bit set (input). If the TRIS bit is cleared (output), the digital output level (VOH or VOL) will be converted.

Port pins that are desired as analog inputs must have the corresponding ADPCFG bit clear. This will configure the port to disable the digital input buffer. Analog levels on pins where ADPCFG<n> = 1, may cause the digital input buffer to consume excessive current.

If a pin is not configured as an analog input ADPCFG<n> = 1, the analog input is forced to AVss, and conversions of that input do not yield meaningful results.

When reading the PORT register, all pins configured as analog input ADPCFG<n> = 0 will read '0'.

The A/D operation is independent of the state of the input selection bits and the TRIS bits.

16.21 Output Formats

The A/D converts 10 bits. The data buffer RAM is 16 bits wide. The ADC data can be read in one of two different formats, as shown in Figure 16-5. The FORM bit selects the format. Each of the output formats translates to a 16-bit result on the data bus.

FIGURE 16-5: A/D OUTPUT DATA FORMAT



TABLE 16-1: ADC REGISTER MAP

| File Name | ADR | Bit 15 | Bit 14 | Bit 13 | Bit 12 | Bit 11 | Bit 10 | Bit 9 | Bit 8 | Bit 7 | Bit 6 | Bit 5 | Bit 4 | Bit 3 | Bit 2 | Bit 1 | Bit 0 | All Resets | |
|-----------|-------------------|--------------|--------|--------|--------------|--------|--------|--------------------|--------|-------|--------|--------------|-------|-------|-----------|-------|-------|------------|------|
| ADCON | 0300 | ADON | — | ADSIDL | — | — | GSWTRG | — | FORM | EIE | ORDER | SEQSAMP | — | — | ADCS<2:0> | | | 0009 | |
| ADPCFG | 0302 | — | — | — | — | PCFG11 | PCFG10 | PCFG9 | PCFG8 | PCFG7 | PCFG6 | PCFG5 | PCFG4 | PCFG3 | PCFG2 | PCFG1 | PCFG0 | 0000 | |
| Reserved | 0304 | — | — | — | — | — | — | — | — | — | — | — | — | — | — | — | — | 0000 | |
| ADSTAT | 0306 | — | — | — | — | — | — | — | — | — | — | P5RDY | P4RDY | P3RDY | P2RDY | P1RDY | P0RDY | 0000 | |
| ADBASE | 0308 | ADBASE<15:1> | | | | | | | | | | | | | | | — | 0000 | |
| ADCPC0 | 030A | IRQEN1 | PEND1 | SWTRG1 | TRGSRC1<4:0> | | | | IRQEN0 | PEND0 | SWTRG0 | TRGSRC0<4:0> | | | | | | | 0000 |
| ADCPC1 | 030C | IRQEN3 | PEND3 | SWTRG3 | TRGSRC3<4:0> | | | | IRQEN2 | PEND2 | SWTRG2 | TRGSRC2<4:0> | | | | | | | 0000 |
| ADCPC2 | 030E | IRQEN5 | PEND5 | SWTRG5 | TRGSRC5<4:0> | | | | IRQEN4 | PEND4 | SWTRG4 | TRGSRC4<4:0> | | | | | | | 0000 |
| Reserved | 0310 – 031E | — | — | — | — | — | — | — | — | — | — | — | — | — | — | — | — | 0000 | |
| ADCBUF0 | 0320 | — | — | — | — | — | — | ADC Data Buffer 0 | | | | | | | | | | xxxx | |
| ADCBUF1 | 0322 | — | — | — | — | — | — | ADC Data Buffer 1 | | | | | | | | | | xxxx | |
| ADCBUF2 | 0324 | — | — | — | — | — | — | ADC Data Buffer 2 | | | | | | | | | | xxxx | |
| ADCBUF3 | 0326 | — | — | — | — | — | — | ADC Data Buffer 3 | | | | | | | | | | xxxx | |
| ADCBUF4 | 0328 | — | — | — | — | — | — | ADC Data Buffer 4 | | | | | | | | | | xxxx | |
| ADCBUF5 | 032A | — | — | — | — | — | — | ADC Data Buffer 5 | | | | | | | | | | xxxx | |
| ADCBUF6 | 032C | — | — | — | — | — | — | ADC Data Buffer 6 | | | | | | | | | | xxxx | |
| ADCBUF7 | 032E | — | — | — | — | — | — | ADC Data Buffer 7 | | | | | | | | | | xxxx | |
| ADCBUF8 | 0330 | — | — | — | — | — | — | ADC Data Buffer 8 | | | | | | | | | | xxxx | |
| ADCBUF9 | 0332 | — | — | — | — | — | — | ADC Data Buffer 9 | | | | | | | | | | xxxx | |
| ADCBUF10 | 0334 | — | — | — | — | — | — | ADC Data Buffer 10 | | | | | | | | | | xxxx | |
| ADCBUF11 | 0336 | — | — | — | — | — | — | ADC Data Buffer 11 | | | | | | | | | | xxxx | |
| Reserved | 0338 – 037E | — | — | — | — | — | — | — | — | — | — | — | — | — | — | — | — | 0000 | |

17.0 SMPS COMPARATOR MODULE

Note: This data sheet summarizes features of this group of dsPIC30F devices and is not intended to be a complete reference source. For more information on the CPU, peripherals, register descriptions and general device functionality, refer to the "dsPIC30F Family Reference Manual" (DS70046).

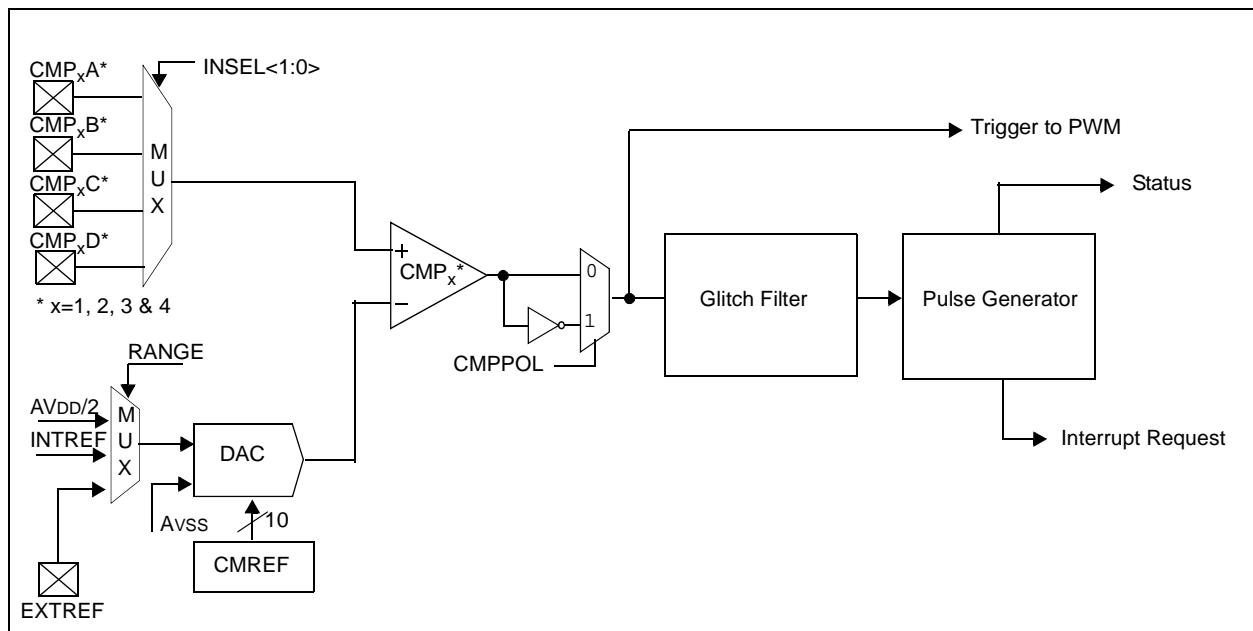
The dsPIC30F SMPS Comparator module monitors current and/or voltage transients that may be too fast for the CPU and ADC to capture.

17.1 Features Overview

- 16 comparator inputs
- 10-bit DAC provides reference

- Programmable output polarity
- Interrupt generation capability
- Selectable Input sources
- DAC has three ranges of operation:
 - $AV_{DD}/2$
 - Internal Reference 1.2V 1%
 - External Reference $< (AV_{DD} - 1.6V)$
- ADC sample and convert trigger capability
- Can be disabled to reduce power consumption
- Functional support for PWM Module:
 - PWM Duty Cycle Control
 - PWM Period Control
 - PWM Fault Detect

FIGURE 17-1: COMPARATOR MODULE BLOCK DIAGRAM



17.2 Module Applications

This module provides a means for the SMPS dsPIC DSC devices to monitor voltage and currents in a power conversion application. The ability to detect transient conditions and stimulate the dsPIC DSC processor and/or peripherals without requiring the processor and ADC to constantly monitor voltages or currents frees the dsPIC DSC to perform other tasks.

The Comparator module has a high-speed comparator and an associated 10-bit DAC that provides a programmable reference voltage to one input of the comparator. The polarity of the comparator output is user programmable. The output of the module can be used in the following modes:

- Generate an interrupt
- Trigger an ADC sample and convert process
- Truncate the PWM signal (current limit)
- Truncate the PWM period (current minimum)

- Disable the PWM outputs (Fault-latch)

The output of the Comparator module may be used in multiple modes at the same time, such as: (1) generate an interrupt, (2) have the ADC take a sample and convert it and (3) truncate the PWM output in response to a voltage being detected beyond its expected value.

The Comparator module can also be used to wake-up the system from Sleep or Idle mode when the analog input voltage exceeds the programmed threshold voltage.

17.3 Module Description

The Comparator module uses a 20 nsec comparator. The comparator offset is ± 5 mV typical. The negative input of the comparator is always connected to the DAC circuit. The positive input of the comparator is connected to an analog multiplexer that selects the desired source pin.

17.4 DAC

The range of the DAC is controlled via an analog multiplexer that selects either $AV_{DD}/2$, internal 1.2V 1% reference, or an external reference source EXTREF. The full range of the DAC ($AV_{DD}/2$) will typically be used when the chosen input source pin is shared with the ADC. The reduced range option (INTREF) will likely be used when monitoring current levels via a CLx pin using a current sense resistor. Usually, the measured voltages in such applications are small ($<1.25V$), therefore the option of using a reduced reference range for the comparator extends the available DAC resolution in these applications. The use of an external reference enables the user to connect to a reference that better suits their application.

17.5 Interaction with I/O Buffers

If the comparator module is enabled and a pin has been selected as the source for the comparator, then the chosen I/O pad must disable the digital input buffer associated with the pad to prevent excessive currents in the digital buffer due to analog input voltages.

17.6 Digital Logic

The CMPCONx register (see Register 17-1) provides the control logic that configures the Comparator module. The digital logic provides a glitch filter for the comparator output to mask transient signals less than two T_{CY} (66 nsec) in duration. In Sleep or Idle mode, the glitch filter is bypassed to enable an asynchronous path from the comparator to the interrupt controller. This asynchronous path can be used to wake-up the processor from Sleep or Idle mode.

The comparator can be disabled while in Idle mode if the CMPSIDL bit is set. If a device has multiple comparators, if any CMPSIDL bit is set, then the entire group of comparators will be disabled while in Idle mode. This behavior reduces complexity in the design of the clock control logic for this module.

The digital logic also provides a one T_{CY} width pulse generator for triggering the ADC and generating interrupt requests.

The CMPDACx (see Register 17-2) register provides the digital input value to the reference DAC.

If the module is disabled, the DAC and comparator are disabled to reduce power consumption.

17.7 Comparator Input Range

The comparator has a limitation for the input Common-Mode Range (CMR) of about 3.5 volts ($AV_{DD} - 1.5$ volts). This means that both inputs should not exceed this value, or the comparator's output will become indeterminate. As long as one of the inputs is within the Common-Mode Range, the comparator output will be correct. An input excursion into the CMR region will not corrupt the comparator output, but the comparator input is saturated.

17.8 DAC Output Range

The DAC has a limitation for the maximum reference voltage input of ($AV_{DD} - 1.6$) volts. An external reference voltage input should not exceed this value or the reference DAC output will become indeterminate.

17.9 Comparator Registers

The Comparator module is controlled by the following registers:

- Comparator Control Registerx (CMPCONx)
- Comparator DAC Control Registerx (CMPDACx)

REGISTER 17-1: COMPARATOR CONTROL REGISTERx (CMPCONx)

| | | | | | | | |
|--------|-----|---------|-----|-----|-----|-------|-----|
| R/W-0 | U-0 | R/W-0 | U-0 | U-0 | U-0 | U-0 | U-0 |
| CMPON | — | CMPSIDL | — | — | — | — | — |
| bit 15 | | | | | | bit 8 | |

| | | | | | | | |
|------------|-------|--------|-----|---------|-----|--------|-------|
| R/W-0 | R/W-0 | R/W-0 | U-0 | R/W-0 | U-0 | R/W-0 | R/W-0 |
| INSEL<1:0> | | EXTREF | — | CMPSTAT | — | CMPPOL | RANGE |
| bit 7 | | | | | | bit 0 | |

Legend:

R = Readable bit W = Writable bit U = Unimplemented bit, read as '0'
 -n = Value at POR '1' = Bit is set '0' = Bit is cleared x = Bit is unknown

- bit 15 **CMPON:** A/D Operating Mode bit
 1 = Comparator module is enabled
 0 = Comparator module is disabled (reduces power consumption)
- bit 14 **Unimplemented:** Read as '0'
- bit 13 **CMPSIDL:** Stop in Idle Mode bit
 1 = Discontinue module operation when device enters Idle mode.
 0 = Continue module operation in Idle mode.
 If a device has multiple comparators, any CMPSIDL bit set to '1' disables **ALL** comparators while in Idle mode.
- bit 12-8 **Reserved:** Read as '0'
- bit 7-6 **INSEL<1:0>:** Input Source Select for Comparator bits
 00 = Select CMPxA input pin
 01 = Select CMPxB input pin
 10 = Select CMPxC input pin
 11 = Select CMPxD input pin
- bit 5 **EXTREF:** Enable External Reference bit
 1 = External source provides reference to DAC
 0 = Internal reference sources provide source to DAC
- bit 4 **Reserved:** Read as '0'
- bit 3 **CMPSTAT:** Current State of Comparator Output Including CMPPOL Selection bit
- bit 2 **Reserved:** Read as '0'
- bit 1 **CMPPOL:** Comparator Output Polarity Control bit
 1 = Output is inverted
 0 = Output is non inverted
- bit 0 **RANGE:** Selects DAC Output Voltage Range bit
 1 = High Range: Max DAC value = $AV_{DD}/2$, 2.5V @ 5 volt V_{DD}
 0 = Low Range: Max DAC value = INTREF, 1.2V $\pm 1\%$

dsPIC30F1010/202X

REGISTER 17-2: COMPARATOR DAC CONTROL REGISTERx (CMPDACx)

| | | | | | | | |
|--------|-----|-----|-----|-----|-----|------------|-------|
| U-0 | U-0 | U-0 | U-0 | U-0 | U-0 | R/W-0 | R/W-0 |
| — | — | — | — | — | — | CMREF<9:8> | |
| bit 15 | | | | | | bit 8 | |

| | | | | | | | |
|------------|-------|-------|-------|-------|-------|-------|-------|
| R/W-0 | R/W-0 | R/W-0 | R/W-0 | R/W-0 | R/W-0 | R/W-0 | R/W-0 |
| CMREF<7:0> | | | | | | | |
| bit 7 | | | | | | bit 0 | |

Legend:

| | | |
|-------------------|------------------|------------------------------------|
| R = Readable bit | W = Writable bit | U = Unimplemented bit, read as '0' |
| -n = Value at POR | '1' = Bit is set | '0' = Bit is cleared |
| | | x = Bit is unknown |

bit 15-10 **Reserved:** Read as '0'

These bits are reserved for possible future expansion of the DAC from 10 bits to more bits.

bit 9-0 **CMREF<9:0>:** Comparator Reference Voltage Select bits

1111111111 = (CMREF * INTREF/1024) or (CMREF * (AVDD/2)/1024) volts depending on Range bit

.....

0000000000 = 0.0 volts

TABLE 17-1: ANALOG COMPARATOR CONTROL REGISTER MAP

| File Name | ADR | Bit 15 | Bit 14 | Bit 13 | Bit 12 | Bit 11 | Bit 10 | Bit 9 | Bit 8 | Bit 7 | Bit 6 | Bit 5 | Bit 4 | Bit 3 | Bit 2 | Bit 1 | Bit 0 | All Resets |
|-----------|------|--------|--------|---------|--------|--------|--------|------------|-------|------------|--------|-------|---------|-------|--------|-------|-------|------------|
| CMPCON1 | 04C0 | CMPON | — | CMPSIDL | — | — | — | — | — | INSEL<1:0> | EXTREF | — | CMPSTAT | — | CMPPOL | RANGE | 0000 | |
| CMPDAC1 | 04C2 | — | — | — | — | — | — | CMREF<9:0> | | | | | | | | | | 0000 |
| CMPCON2 | 04C4 | CMPON | — | CMPSIDL | — | — | — | — | — | INSEL<1:0> | EXTREF | — | CMPSTAT | — | CMPPOL | RANGE | 0000 | |
| CMPDAC2 | 04C6 | — | — | — | — | — | — | CMREF<9:0> | | | | | | | | | | 0000 |
| CMPCON3 | 04C8 | CMPON | — | CMPSIDL | — | — | — | — | — | INSEL<1:0> | EXTREF | — | CMPSTAT | — | CMPPOL | RANGE | 0000 | |
| CMPDAC3 | 04CA | — | — | — | — | — | — | CMREF<9:0> | | | | | | | | | | 0000 |
| CMPCON4 | 04CC | CMPON | — | CMPSIDL | — | — | — | — | — | INSEL<1:0> | EXTREF | — | CMPSTAT | — | CMPPOL | RANGE | 0000 | |
| CMPDAC4 | 04CE | — | — | — | — | — | — | CMREF<9:0> | | | | | | | | | | 0000 |

dsPIC30F1010/202X

NOTES:

18.0 SYSTEM INTEGRATION

Note: This data sheet summarizes features of this group of dsPIC30F devices and is not intended to be a complete reference source. For more information on the CPU, peripherals, register descriptions and general device functionality, refer to the "dsPIC30F Family Reference Manual" (DS70046). For more information on the device instruction set and programming, refer to the "dsPIC30F/33F Programmer's Reference Manual" (DS70157).

There are several features intended to maximize system reliability, minimize cost through elimination of external components, provide power-saving operating modes and offer code protection:

- Oscillator Selection
- Reset:
 - Power-on Reset (POR)
 - Power-up Timer (PWRT)
 - Oscillator Start-up Timer (OST)
- Watchdog Timer (WDT)
- Power-Saving modes (Sleep and Idle)
- Code Protection
- Unit ID Locations
- In-Circuit Serial Programming (ICSP) programming capability

dsPIC30F devices have a Watchdog Timer, which can be permanently enabled via the Configuration bits or can be software controlled. It runs off its own RC oscillator for added reliability. There are two timers that offer necessary delays on power-up. One is the Oscillator Start-up Timer (OST), intended to keep the chip in Reset until the crystal oscillator is stable. The other is the Power-up Timer (PWRT), which provides a delay on power-up only, designed to keep the part in Reset mode while the power supply stabilizes. With these two timers on-chip, most applications need no external Reset circuitry.

Sleep mode is designed to offer a very low-current Power-Down mode. The user can wake-up from Sleep mode through external Reset, Watchdog Timer Wake-up or through an interrupt. Several oscillator options are also made available to allow the part to fit a wide variety of applications. In the Idle mode, the clock sources are still active, but the CPU is shut off. The RC oscillator option saves system cost, while the LP crystal option saves power.

18.1 Oscillator System Overview

The dsPIC30F oscillator system has the following modules and features:

- Various external and internal oscillator options as clock sources
- An on-chip PLL to boost internal operating frequency
- A clock switching mechanism between various clock sources
- Programmable clock postscaler for system power savings
- A Fail-Safe Clock Monitor (FSCM) that detects clock failure and takes fail-safe measures
- Clock Control register OSCCON
- Configuration bits for main oscillator selection

Configuration bits determine the clock source upon Power-on Reset (POR). Thereafter, the clock source can be changed between permissible clock sources. The OSCCON register controls the clock switching and reflects system clock related status bits.

Note: 32 kHz crystal operation is not enabled on dsPIC30F1010/202X devices.

A simplified diagram of the oscillator system is shown in Figure 18-1.

18.2 Oscillator Control Registers

The oscillators are controlled with these registers:

- OSCCON: Oscillator Control Register
- OSCTUN2: Oscillator Tuning Register 2
- LFSR: Linear Feedback Shift Register
- FOSCSEL: Oscillator Selection Configuration Bits
- FOSC: Oscillator Selection Configuration Bits

dsPIC30F1010/202X

FIGURE 18-1: OSCILLATOR SYSTEM BLOCK DIAGRAM



REGISTER 18-1: OSCCON: OSCILLATOR CONTROL REGISTER

| | | | | | | | |
|--------|-------------|-------------|-------------|-----|-----------|-------|-------|
| U-0 | R-y, HS, HC | R-y, HS, HC | R-y, HS, HC | U-0 | R/W-y | R/W-y | R/W-y |
| — | COSC<2:0> | | | — | NOSC<2:0> | | |
| bit 15 | | | | | | | bit 8 |

| | | | | | | | |
|---------|-----|------------|--------|---------------|--------|-----|-----------|
| R/W-0 | U-0 | R-0, HS,HC | R/W-0 | R/C-0, HS, HC | R/W-0 | U-0 | R/W-0, HC |
| CLKLOCK | — | LOCK | PRCDEN | CF | TSEQEN | — | OSWEN |
| bit 7 | | | | | | | bit 0 |

| | |
|--------------------------|---|
| Legend: | x = Bit is unknown |
| R = Readable bit | W = Writable bit |
| -n = Value at POR | '1' = Bit is set |
| HC = Cleared by hardware | HS = Set by hardware |
| | U = Unimplemented bit, read as '0' |
| | '0' = Bit is cleared |
| | -y = Value set from Configuration bits on POR |

- bit 15 **Unimplemented:** Read as '0'
- bit 14-12 **COSC<2:0>:** Current Oscillator Group Selection bits (read-only)
 000 = Fast RC Oscillator (FRC)
 001 = Fast RC Oscillator (FRC) with PLL Module
 010 = Primary Oscillator (HS, EC)
 011 = Primary Oscillator (HS, EC) with PLL Module
 100 = Reserved
 101 = Reserved
 110 = Reserved
 111 = Reserved
 This bit is Reset upon:
 Set to FRC value ('000') on POR
 Loaded with NOSC<2:0> at the completion of a successful clock switch
 Set to FRC value ('000') when FSCM detects a failure and switches clock to FRC
- bit 11 **Unimplemented:** Read as '0'
- bit 10-8 **NOSC<2:0>:** New Oscillator Group Selection bits
 000 = Fast RC Oscillator (FRC)
 001 = Fast RC Oscillator (FRC) with PLL Module
 010 = Primary Oscillator (HS, EC)
 011 = Primary Oscillator (HS, EC) with PLL Module
 100 = Reserved
 101 = Reserved
 110 = Reserved
 111 = Reserved
- bit 7 **CLKLOCK:** Clock Lock Enabled bit
 1 = If (FCKSM1 = 1), then clock and PLL configurations are locked
 If (FCKSM1 = 0), then clock and PLL configurations may be modified
 0 = Clock and PLL selection are not locked, configurations may be modified
 Note: Once set, this bit can only be cleared via a Reset.
- bit 6 **Unimplemented:** Read as '0'

dsPIC30F1010/202X

REGISTER 18-1: OSCCON: OSCILLATOR CONTROL REGISTER (CONTINUED)

- bit 5 **LOCK:** PLL Lock Status bit (read-only)
1 = Indicates that PLL is in lock
0 = Indicates that PLL is out of lock (or disabled)
This bit is Reset upon:
Reset on POR
Reset when a valid clock switching sequence is initiated by the clock switch state machine
Set when PLL lock is achieved after a PLL start
Reset when lock is lost
Read zero when PLL is not selected as a Group 1 system clock
- bit 4 **PRCDEN:** Pseudo Random Clock Dither Enable bit
1 = Pseudo random clock dither is enabled
0 = Pseudo random clock dither is disabled
- bit 3 **CF:** Clock Fail Detect bit (read/clearable by application)
1 = FSCM has detected clock failure
0 = FSCM has NOT detected clock failure
This bit is Reset upon:
Reset on POR
Reset when a valid clock switching sequence is initiated by the clock switch state machine
Set when clock fail detected
- bit 2 **TSEQEN:** FRC Tune Sequencer Enable bit
1 = The TUN<3:0>, TSEQ1<3:0>, ... , TSEQ7<3:0> bits in the OSCTUN and the OSCTUN2 registers sequentially tune the FRC oscillator. Each field being sequentially selected via the ROLL<2:0> signals from the PWM module.
0 = The TUN<3:0> bits in OSCTUN register tunes the FRC oscillator
- bit 1 **Unimplemented:** Read as '0'
- bit 0 **OSWEN:** Oscillator Switch Enable bit
1 = Request oscillator switch to selection specified by NOSC<1:0> bits
0 = Oscillator switch is complete
This bit is Reset upon:
Reset on POR
Reset after a successful clock switch
Reset after a redundant clock switch
Reset after FSCM switches the oscillator to (Group 3) FRC

REGISTER 18-2: OSCTUN: OSCILLATOR TUNING REGISTER

| | | | | | | | |
|------------|-------|-------|-------|------------|-------|-------|-------|
| R/W-0 | R/W-0 | R/W-0 | R/W-0 | R/W-0 | R/W-0 | R/W-0 | R/W-0 |
| TSEQ3<3:0> | | | | TSEQ2<3:0> | | | |
| bit 15 | | | | bit 8 | | | |

| | | | | | | | |
|------------|-------|-------|-------|----------|-------|-------|-------|
| R/W-0 | R/W-0 | R/W-0 | R/W-0 | R/W-0 | R/W-0 | R/W-0 | R/W-0 |
| TSEQ1<3:0> | | | | TUN<3:0> | | | |
| bit 7 | | | | bit 0 | | | |

Legend:

| | | |
|-------------------|------------------|------------------------------------|
| R = Readable bit | W = Writable bit | U = Unimplemented bit, read as '0' |
| -n = Value at POR | '1' = Bit is set | '0' = Bit is cleared |
| | | x = Bit is unknown |

- bit 15-12 **TSEQ3<3:0>**: Tune Sequence Value #3 bits
When PWM ROLL<2:0> = 011, this field is used to tune the FRC instead of TUN<3:0>
- bit 11-8 **TSEQ2<3:0>**: Tune Sequence Value #2 bits
When PWM ROLL<2:0> = 010, this field is used to tune the FRC instead of TUN<3:0>
- bit 7-4 **TSEQ1<3:0>**: Tune Sequence Value #1 bits
When PWM ROLL<2:0> = 001, this field is used to tune the FRC instead of TUN<3:0>
- bit 3-0 **TUN<3:0>**: Specifies the user tuning capability for the internal fast RC oscillator . If the TSEQEN bit in the OSCCON register is set, this field, along with bits TSEQ1-TSEQ7, will sequentially tune the FRC oscillator.

- 0111 = Maximum frequency
- 0110 =
- 0101 =
- 0100 =
- 0011 =
- 0010 =
- 0001 =
- 0000 = Center frequency, oscillator is running at calibrated frequency
- 1111 =
- 1110 =
- 1101 =
- 1100 =
- 1011 =
- 1010 =
- 1001 =
- 1000 = Minimum frequency

dsPIC30F1010/202X

REGISTER 18-3: OSCTUN2: OSCILLATOR TUNING REGISTER 2

| | | | | | | | |
|------------|-------|-------|-------|------------|-------|-------|-------|
| R/W-0 | R/W-0 | R/W-0 | R/W-0 | R/W-0 | R/W-0 | R/W-0 | R/W-0 |
| TSEQ7<3:0> | | | | TSEQ6<3:0> | | | |
| bit 15 | | | | bit 8 | | | |

| | | | | | | | |
|------------|-------|-------|-------|------------|-------|-------|-------|
| R/W-0 | R/W-0 | R/W-0 | R/W-0 | R/W-0 | R/W-0 | R/W-0 | R/W-0 |
| TSEQ5<3:0> | | | | TSEQ4<3:0> | | | |
| bit 7 | | | | bit 0 | | | |

Legend:

R = Readable bit W = Writable bit U = Unimplemented bit, read as '0'
-n = Value at POR '1' = Bit is set '0' = Bit is cleared x = Bit is unknown

- bit 15-12 **TSEQ7<3:0>**: Tune Sequence value #7 bits
When PWM ROLL<2:0> = 111, this field is used to tune the FRC instead of TUN<3:0>
- bit 11-8 **TSEQ6<3:0>**: Tune Sequence value #6 bits
When PWM ROLL<2:0> = 110, this field is used to tune the FRC instead of TUN<3:0>
- bit 7-4 **TSEQ5<3:0>**: Tune Sequence value #5 bits
When PWM ROLL<2:0> = 101, this field is used to tune the FRC instead of TUN<3:0>
- bit 3-0 **TSEQ4<3:0>**: Tune Sequence value #4 bits
When PWM ROLL<2:0> = 100, this field is used to tune the FRC instead of TUN<3:0>

REGISTER 18-4: LFSR: LINEAR FEEDBACK SHIFT REGISTER

| | | | | | | | |
|--------|------------|-------|-------|-------|-------|-------|-------|
| U-0 | R/W-0 | R/W-0 | R/W-0 | R/W-0 | R/W-0 | R/W-0 | R/W-0 |
| — | LFSR<14:8> | | | | | | |
| bit 15 | | | | | | | bit 8 |

| | | | | | | | |
|-----------|-------|-------|-------|-------|-------|-------|-------|
| R/W-0 | R/W-0 | R/W-0 | R/W-0 | R/W-0 | R/W-0 | R/W-0 | R/W-0 |
| LFSR<7:0> | | | | | | | |
| bit 7 | | | | | | | bit 0 |

Legend:

R = Readable bit W = Writable bit U = Unimplemented bit, read as '0'
-n = Value at POR '1' = Bit is set '0' = Bit is cleared x = Bit is unknown

- bit 15 **Unimplemented**: Read as '0'
When PWM ROLL<2:0> = 111, this field is used to tune the FRC instead of TUN<3:0>
- bit 14-8 **LFSR <14:8>**: Most Significant 7 bits of the pseudo random FRC trim value bits
- bit 7-0 **LFSR <7:0>**: Least Significant 8 bits of the pseudo random FRC trim value bits

REGISTER 18-5: FOSCSSEL: OSCILLATOR SELECTION CONFIGURATION BITS

| | | | | | | | |
|--------|-----|-----|-----|-----|-----|--------|-----|
| U-0 | U-0 | U-0 | U-0 | U-0 | U-0 | U-0 | U-0 |
| — | — | — | — | — | — | — | — |
| bit 23 | | | | | | bit 16 | |

| | | | | | | | |
|--------|-----|-----|-----|-----|-----|-------|-----|
| U-0 | U-0 | U-0 | U-0 | U-0 | U-0 | U-0 | U-0 |
| — | — | — | — | — | — | — | — |
| bit 15 | | | | | | bit 8 | |

| | | | | | | | |
|-------|-----|-----|-----|-----|-----|--------|--------|
| U-0 | U-0 | U-0 | U-0 | U-0 | U-0 | R/P | R/P |
| — | — | — | — | — | — | FNOSC1 | FNOSC0 |
| bit 7 | | | | | | bit 0 | |

Legend:

R = Readable bit

W = Writable bit

U = Unimplemented bit, read as '0'

-n = Value at POR

'1' = Bit is set

'0' = Bit is cleared

x = Bit is unknown

bit 23-2 **Unimplemented:** Read as '0'

bit 1-0 **FNOSC<1:0>:** Initial Oscillator Group Selection on POR bits

00 = Fast RC Oscillator (FRC)

01 = Fast RC Oscillator (FRC) divided by N, with PLL module

10 = Primary Oscillator (HS,EC)

11 = Primary Oscillator (HS,EC) with PLL module

dsPIC30F1010/202X

REGISTER 18-6: FOSC: OSCILLATOR SELECTION CONFIGURATION BITS

| | | | | | | | |
|--------|-----|-----|-----|-----|-----|--------|-----|
| U-0 | U-0 | U-0 | U-0 | U-0 | U-0 | U-0 | U-0 |
| — | — | — | — | — | — | — | — |
| bit 23 | | | | | | bit 16 | |

| | | | | | | | |
|--------|-----|-----|-----|-----|-----|-------|-----|
| U-0 | U-0 | U-0 | U-0 | U-0 | U-0 | U-0 | U-0 |
| — | — | — | — | — | — | — | — |
| bit 15 | | | | | | bit 8 | |

| | | | | | | | |
|------------|-----|--------|-----|-----|----------|-------------|-----|
| R/P | R/P | R/P | U-0 | U-0 | R/P | R/P | R/P |
| FCKSM<1:0> | | FRANGE | — | — | OSCIOFNC | POSCMD<1:0> | |
| bit 7 | | | | | | bit 0 | |

Legend:

R = Readable bit W = Writable bit U = Unimplemented bit, read as '0'
 -n = Value at POR '1' = Bit is set '0' = Bit is cleared x = Bit is unknown

bit 23-8 **Unimplemented:** Read as '0'

bit 7-6 **FCKSM<1:0>:** Clock Switching and Monitor Selection Configuration bits

- 1x = Clock switching is disabled, fail-safe clock monitor is disabled
- 01 = Clock switching is enabled, fail-safe clock monitor is disabled
- 00 = Clock switching is enabled, fail-safe clock monitor is enabled

bit 5 **FRANGE:** Frequency Range Select for FRC and PLL bit

Acts like a "Gear Shift" feature that enables the dsPIC DSC device to operate at reduced MIPS at a reduced supply voltage (3.3V)

| FRANGE Bit Value | Temperature Rating | FRC Frequency (Nominal) | PLL VCO (Nominal) |
|------------------|--------------------|-------------------------|------------------------|
| 1 = High Range | Industrial | 14.55 MHz | 466 MHz (480 MHz max.) |
| | Extended | 9.7 MHz | 310 MHz (320 MHz max.) |
| 0 = Low Range | Industrial | 9.7 MHz | 310 MHz (320 MHz max.) |
| | Extended | 6.4 MHz | 205 MHz (211 MHz max.) |

bit 4-3 **Unimplemented:** Read as '0'

bit 3 **OSCIOFNC:** OSC2 Pin I/O Enable bit

- 1 = CLKO output signal active on the OSCO pin
- 0 = CLKO output disabled

bit 1-0 **POSCMD<1:0>:** Primary Oscillator Mode

- 11 = Primary Oscillator Disabled
- 10 = HS oscillator mode selected
- 01 = Reserved
- 00 = External clock mode selected

18.2.1 ACCIDENTAL WRITE PROTECTION

Because the OSCCON register allows clock switching and clock scaling, a write to OSCCON is intentionally made difficult. To write to the OSCCON low byte, this exact sequence must be executed without any other instructions in between:

- Byte Write “46h” to OSCCON low
 - Byte Write “57h” to OSCCON low
 - Byte Write is allowed for one instruction cycle
- ```
mov .b W0,OSCCON
```

To write to the OSCCON high byte, this exact sequence must be executed without any other instructions in between:

- Byte Write “78h” to OSCCON high
  - Byte Write “9Ah” to OSCCON high
  - Byte Write is allowed for one instruction cycle
- ```
mov .b W0,OSCCON + 1
```

18.3 Oscillator Configurations

Figure 18-2 shows the derivation of the system clock FCY. The PLL in Figure 18-1 outputs a maximum frequency of 480MHz (high-range FRC option for industrial temperature parts with PLL and TUN<3:0> = 0111 bit settings). This signal is used by the Power Supply PWM module, and is 32 times the input PLL frequency.

Assuming the high-range FRC option is selected on an industrial temperature rated part, the 480 MHz PLL clock signal is divided by 2, providing a 240 MHz signal, which drives the ADC Module. The same 480 MHz signal is also divided by 8 to produce the 60 MHz signal, which is one of the inputs to the FCY multiplexer. The other input to this multiplexer is the FOSC input clock source (either the Primary Oscillator or the FRC) divided by 2. When the PLL is enabled, $FCY = FPLL/16$. When the PLL is disabled, $FCY = FOSC/2$.

This method derives the 480 MHz clock:

- FRC Clock with high-range Option and TUN<3:0> = 0111 is = 15 MHz
- PLL enabled
- PWM clock = $15 \times 32 = 480$ MHz
- $FCY = 480 \text{ MHz}/16 = 30 \text{ MHz} = 30 \text{ MIPS}$

If the PLL is disabled,

- FRC Clock (with high-range Option and TUN<3:0> = 0111) is = 15MHz
- $FCY = 15 \text{ MHz}/2 = 7.5 \text{ MHz} = 7.5 \text{ MIPS}$

FIGURE 18-2: SYSTEM CLOCK AND FADC DERIVATION



dsPIC30F1010/202X

18.3.1 INITIAL CLOCK SOURCE SELECTION

While coming out of a Power-on Reset, the device selects its clock source based on:

- FNOSC<1:0> Configuration bits that select one of three oscillator groups (HS, EC or FRC)
- POSCMD1<1:0> Configuration bits that select the Primary Oscillator Mode
- OSCIOFNC selects if the OSC2 pin is an I/O or clock output

The selection is as shown in Table 18-1.

TABLE 18-1: CONFIGURATION BIT VALUES FOR CLOCK SELECTION

| Oscillator Mode | Oscillator Source | FNOSC<1:0> | | POSCMD<1:0> | | OSCIOFNC | OSC2 Function | OSC1 Function |
|--------------------|-------------------|------------|-------|-------------|-------|----------|---------------------|---------------|
| | | Bit 1 | Bit 0 | Bit 1 | Bit 0 | | | |
| HS w/PLL 32x | PLL | 1 | 1 | 1 | 0 | N/A | CLKO ⁽¹⁾ | CLKI |
| FRC w/PLL 32x | PLL | 0 | 1 | 1 | 1 | 1 | CLKO | I/O |
| FRC w/PLL 32x | PLL | 0 | 1 | 1 | 1 | 0 | I/O | I/O |
| EC w/PLL 32x | PLL | 1 | 1 | 0 | 0 | 1 | CLKO | CLKI |
| EC w/PLL 32x | PLL | 1 | 1 | 0 | 0 | 0 | I/O | CLKI |
| EC ⁽²⁾ | External | 1 | 0 | 0 | 0 | 1 | CLKO | CLKI |
| EC ⁽²⁾ | External | 1 | 0 | 0 | 0 | 0 | I/O | CLKI |
| HS ⁽²⁾ | External | 1 | 0 | 1 | 0 | N/A | CLKO ⁽¹⁾ | CLKI |
| FRC ⁽²⁾ | Internal RC | 0 | 0 | 1 | 1 | 0 | I/O | I/O |
| FRC ⁽²⁾ | Internal RC | 0 | 0 | 1 | 1 | 1 | CLKO | I/O |

Note 1: CLKO is not recommended to drive external circuits.

2: This mode is not recommended for some applications; disabling 32x PLL will not allow operation of high-speed ADC and PWM.

18.3.2 OSCILLATOR START-UP TIMER (OST)

In order to ensure that a crystal oscillator (or ceramic resonator) has started and stabilized, an Oscillator Start-up Timer is included. It is a simple 10-bit counter that counts 1024 T_{osc} cycles before releasing the oscillator clock to the rest of the system. The time-out period is designated as T_{OST}. The T_{OST} time is involved every time the oscillator has to restart (i.e., on POR and wake-up from Sleep). The Oscillator Start-up Timer is applied to the HS Oscillator mode (upon wake-up from Sleep and POR) for the primary oscillator.

18.3.3 PHASE LOCKED LOOP (PLL)

The PLL multiplies the clock, which is generated by the primary oscillator. The PLL is selectable to have a gain of x32 only. Input and output frequency ranges are summarized in Table 18-2.

TABLE 18-2: PLL FREQUENCY RANGE

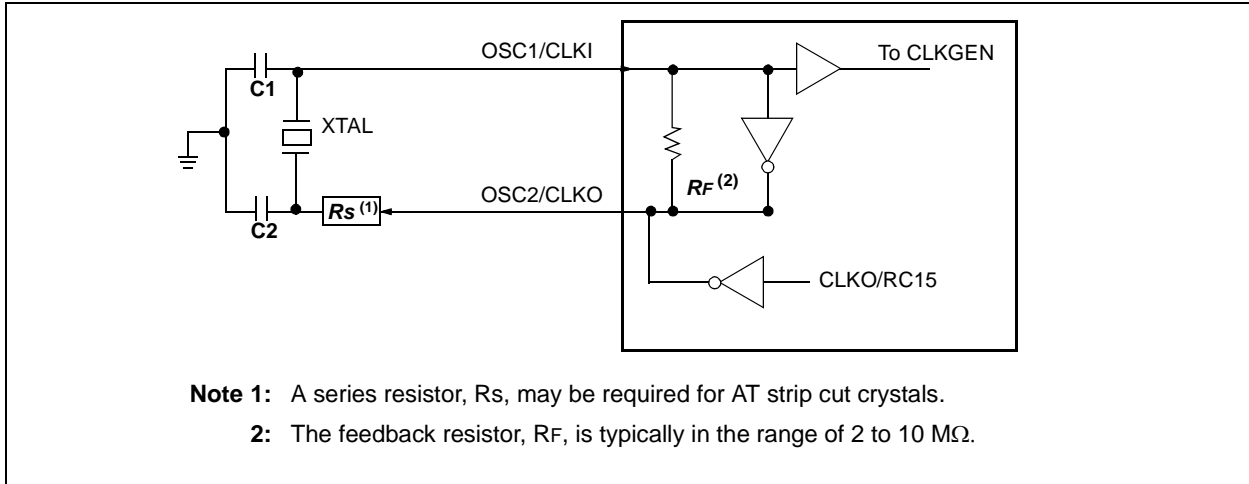
| F _{IN} | PLL Multiplier | F _{OUT} |
|-----------------|----------------|------------------|
| 6.4 MHz | x32 | 205 MHz |
| 9.7 MHz | x32 | 310 MHz |
| 14.55 MHz | x32 | 466 MHz |

The PLL features a lock output, which is asserted when the PLL enters a phase locked state. Should the loop fall out of lock (e.g., due to noise), the lock signal will be rescinded. The state of this signal is reflected in the read-only LOCK bit in the OSCCON register.

18.4 PRIMARY OSCILLATOR ON OSC1/OSC2 PINS:

The primary oscillator uses is shown in Figure 18-3.

FIGURE 18-3: PRIMARY OSCILLATOR



18.5 EXTERNAL CLOCK INPUT

Two of the primary Oscillator modes use an external clock. These modes are EC and EC with IO.

In the EC mode (Figure 18-4), the OSC1 pin can be driven by CMOS drivers. In this mode, the OSC1 pin is high-impedance and the OSC2 pin is the clock output (Fosc/2). This output clock is useful for testing or synchronization purposes.

In the EC with IO mode (Figure 18-5), the OSC1 pin can be driven by CMOS drivers. In this mode, the OSC1 pin is high-impedance and the OSC2 pin becomes a general purpose I/O pin. The feedback device between OSC1 and OSC2 is turned off to save current.

FIGURE 18-4: EXTERNAL CLOCK INPUT OPERATION (EC OSCILLATOR CONFIGURATION)

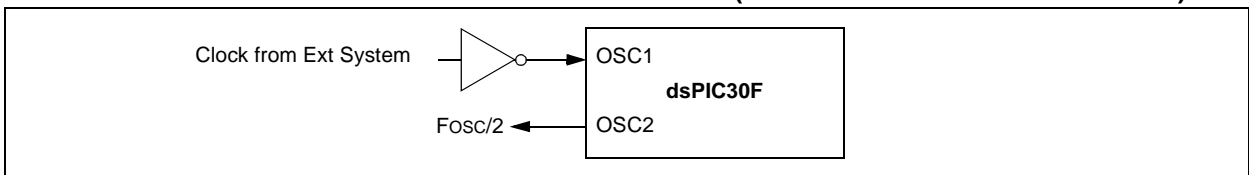
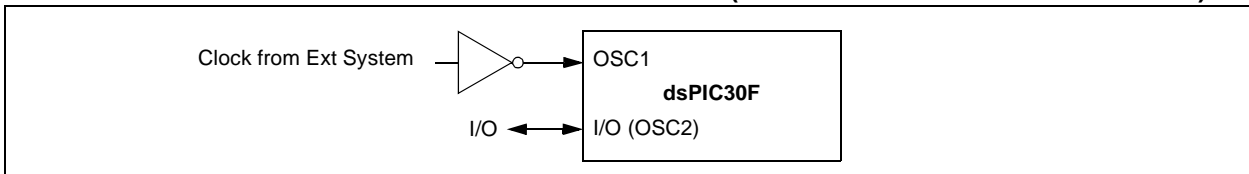


FIGURE 18-5: EXTERNAL CLOCK INPUT OPERATION (ECIO OSCILLATOR CONFIGURATION)



dsPIC30F1010/202X

18.6 INTERNAL FAST RC OSCILLATOR (FRC)

FRC is a fast, precise frequency internal RC oscillator. The FRC oscillator is designed to run at a frequency of 6.4/9.7/14.55 MHz ($\pm 2\%$ accuracy). The FRC oscillator option is intended to be accurate enough to provide the clock frequency necessary to maintain baud rate tolerance for serial data transmissions. The user has the ability to tune the FRC frequency by $\pm 3\%$.

The FRC oscillator is powered:

- Any time the EC or HS Oscillator modes are NOT selected.
- When the fail-safe clock monitor is enabled and a clock fail is detected, forcing a switch to FRC.

18.6.1 FREQUENCY RANGE SELECTION

The FRC module has a “Gear Shift” control signal that selects low range (9.7 MHz for industrial temperature rated parts and 6.4 MHz for extended temperature rated parts) or high range (14.55 MHz for industrial temperature rated parts and 9.7 MHz for extended temperature rated parts) frequency of operation. This feature enables a dsPIC DSC device to operate up to a maximum speed of 20 MIPS at 3.3V or up to a maximum speed of 30 MIPS at 5.0V and remain with system specifications.

18.6.2 NOMINAL FREQUENCY VALUES

The FRC module is calibrated to a nominal 9.7 MHz for industrial temperature rated parts and 6.4 MHz for extended temperature rated parts in low range and 14.55 MHz for industrial temperature rated parts and 9.7 MHz for extended temperature rated parts in high range. This feature enables a user to “tune” the dsPIC DSC device frequency of operation by $\pm 3\%$ and still remain within system specifications.

18.6.3 FRC FREQUENCY USER TUNING

The FRC is calibrated at the factory to give a nominal 6.4/9.7/14.55 MHz. The TUN<3:0> field in the OSC-TUN register is available to the user for trimming the FRC oscillator frequency in applications.

The 4-bit tuning control signals are supplied by the OSCTUN or the OSCTUN2 registers depending on the TSEQEN bit in the OSCCON register.

The tuning range of the 14.55 MHz oscillator is ± 0.45 MHz ($\pm 3\%$) nominal.

The base frequency can be tuned in the user's application. This frequency tuning capability allows the user to deviate from the factory calibrated frequency. The user can tune the frequency by writing to the OSCTUN register TUN<3:0> bits.

18.6.4 CLOCK DITHERING LOGIC

In power conversion applications, the primary electrical noise emission that the designers want to reduce is caused by the power transistors switching at the PWM frequency. By changing the system clock frequency of the SMPS dsPIC DSC, the resultant PWM frequency will change and the peak EMI will be reduced at the noise is spread over a wider frequency range.

Typically, the range of frequency variation is few percent. The dsPIC30F1010/202X can provide two ways to vary system clock frequency on a PWM cycle basis. These are Frequency Sequencing mode and Pseudo Random Clock Dithering mode. Table 18-8 shows the implementation details of both these methods.

18.6.5 FREQUENCY SEQUENCING MODE

The Frequency Sequencing mode enables the PWM module to select a sequence of eight different FRC TUN values to vary the system frequency with each rollover of the primary PWM time base. The OSCTUN and the OSCTUN2 registers allow the user to specify eight sequential tune values if the TSEQEN bit is set in the OSCCON register. If the TSEQEN bit is zero, then only the TUN bits affect the FRC frequency.

A 4-bit wide multiplexer with eight sets of inputs selects the tuning value from the TUN and the TSEQx bit fields. The multiplexer is controlled by the ROLL<5:3> counter in the PWM module. The ROLL<5:3> counter increments every time the primary time base rolls over after reaching the period value.

18.6.6 PSEUDO RANDOM CLOCK DITHERING MODE

The Pseudo Random Clock Dither (PRCD) logic is implemented with a 15-bit LFSR (Linear Feedback Shift Register), which is a shift register with a few exclusive OR gates. The lower four bits of the LFSR provides the FRC TUNE bits. The PRCD feature is enabled by setting the PRCDEN bit in the OSCCON register. The LFSR is “clocked” (enabled to clock) once every time the ROLL<3> bit changes state, which occurs once every 8 PWM cycles.

18.6.7 FAIL-SAFE CLOCK MONITOR

The Fail-Safe Clock Monitor (FSCM) allows the device to continue to operate even in the event of an oscillator failure. The FSCM function is enabled by appropriately programming the FCKSM Configuration bits (Clock Switch and Monitor Selection bits) in the FOSC Configuration register.

In the event of an oscillator failure, the FSCM will generate a clock failure trap event and will switch the system clock over to the FRC oscillator. The user will then have the option to either attempt to restart the oscillator or execute a controlled shutdown. The user may decide to treat the trap as a warm Reset by sim-

ply loading the Reset address into the oscillator fail trap vector. In this event, the CF (Clock Fail) status bit (OSCCON<3>) is also set whenever a clock failure is recognized.

In the event of a clock failure, the WDT is unaffected and continues to run on the LPRC clock.

If the oscillator has a very slow start-up time coming out of POR or Sleep, it is possible that the PWRT timer will expire before the oscillator has started. In such cases, the FSCM will be activated and the FSCM will initiate a clock failure trap, and the COSC<2:0> bits are loaded with FRC oscillator selection. This will effectively shut off the original oscillator that was trying to start.

The user may detect this situation and restart the oscillator in the clock fail trap, ISR.

Upon a clock failure detection, the FSCM module will initiate a clock switch to the FRC oscillator as follows:

1. The COSC bits (OSCCON<14:12>) are loaded with the FRC oscillator selection value
2. CF bit is set (OSCCON<3>)
3. OSWEN control bit (OSCCON<0>) is cleared

For the purpose of clock switching, the clock sources are sectioned into two groups:

1. Primary
2. Internal FRC

The user can switch between these functional groups, but cannot switch between options within a group. If the primary group is selected, then the choice within the group is always determined by the FNOSC<1:0> Configuration bits.

The OSCCON register holds the control and status bits related to clock switching. If Configuration bits FCKSM<1:0> = 1x, then the clock switching and Fail-Safe Clock Monitor functions are disabled. This is the default Configuration bit setting.

If clock switching is disabled, then the FNOSC<1:0> and POSCMD<1:0> bits directly control the oscillator selection and the COSC<2:0> bits do not control the clock selection. However, these bits will reflect the clock source selection.

Note: The application should not attempt to switch to a clock frequency lower than 100 KHz when the Fail-Safe Clock Monitor is enabled. If clock switching is performed, the device may generate an oscillator fail trap and switch to the Fast RC oscillator.

18.7 Reset

The dsPIC30F1010/202X differentiates between various kinds of Reset:

- a) Power-on Reset (POR)
- b) $\overline{\text{MCLR}}$ Reset during normal operation
- c) $\overline{\text{MCLR}}$ Reset during Sleep
- d) Watchdog Timer (WDT) Reset (during normal operation)
- e) RESET Instruction
- f) Reset cause by trap lock-up (TRAPR)
- g) Reset caused by illegal opcode, or by using an uninitialized W register as an Address Pointer (IOPUWR)

Different registers are affected in different ways by various Reset conditions. Most registers are not affected by a WDT wake-up, since this is viewed as the resumption of normal operation. Status bits from the RCON register are set or cleared differently in different Reset situations, as indicated in Table 18-3. These bits are used in software to determine the nature of the Reset.

A block diagram of the on-chip Reset circuit is shown in Figure 18-7.

A $\overline{\text{MCLR}}$ noise filter is provided in the $\overline{\text{MCLR}}$ Reset path. The filter detects and ignores small pulses.

Internally generated Resets do not drive $\overline{\text{MCLR}}$ pin low.

dsPIC30F1010/202X

FIGURE 18-6: FRC TUNE DITHER LOGIC BLOCK DIAGRAM

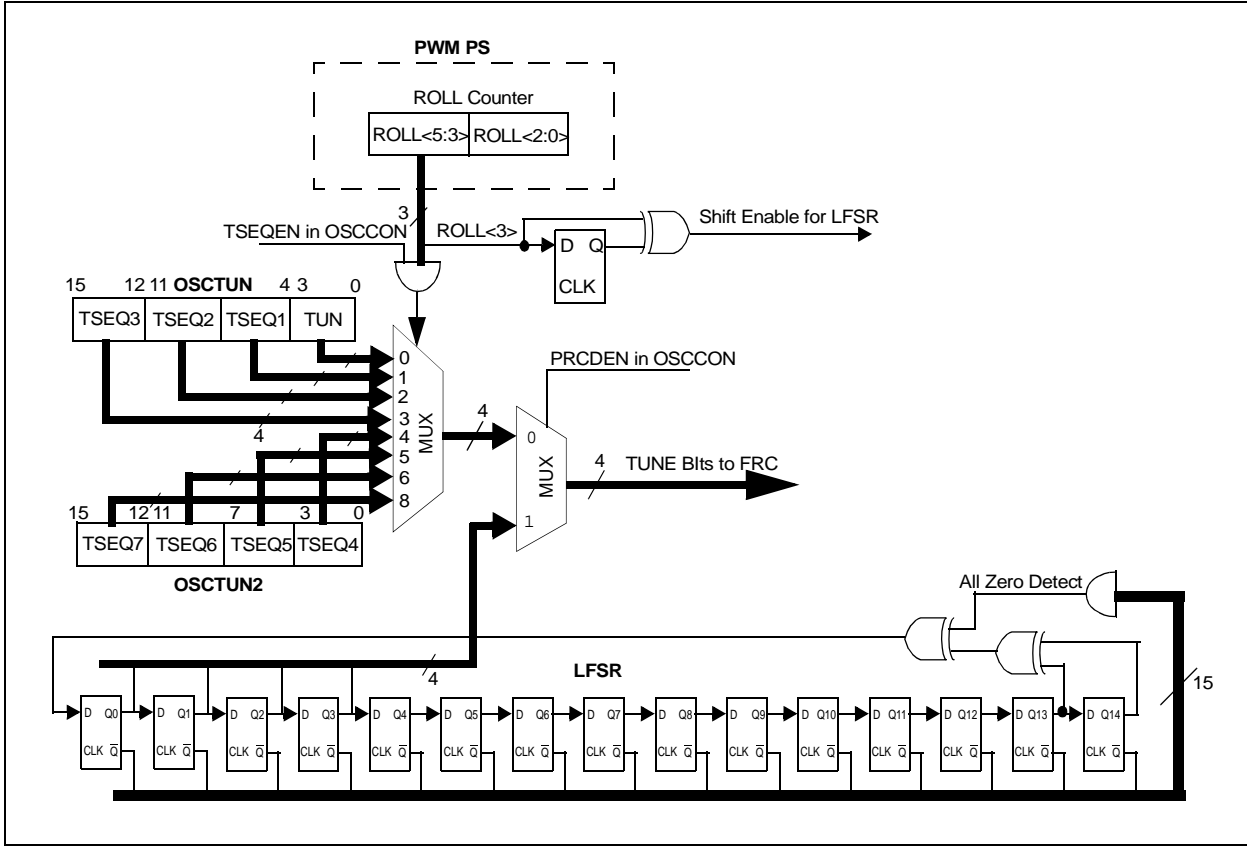
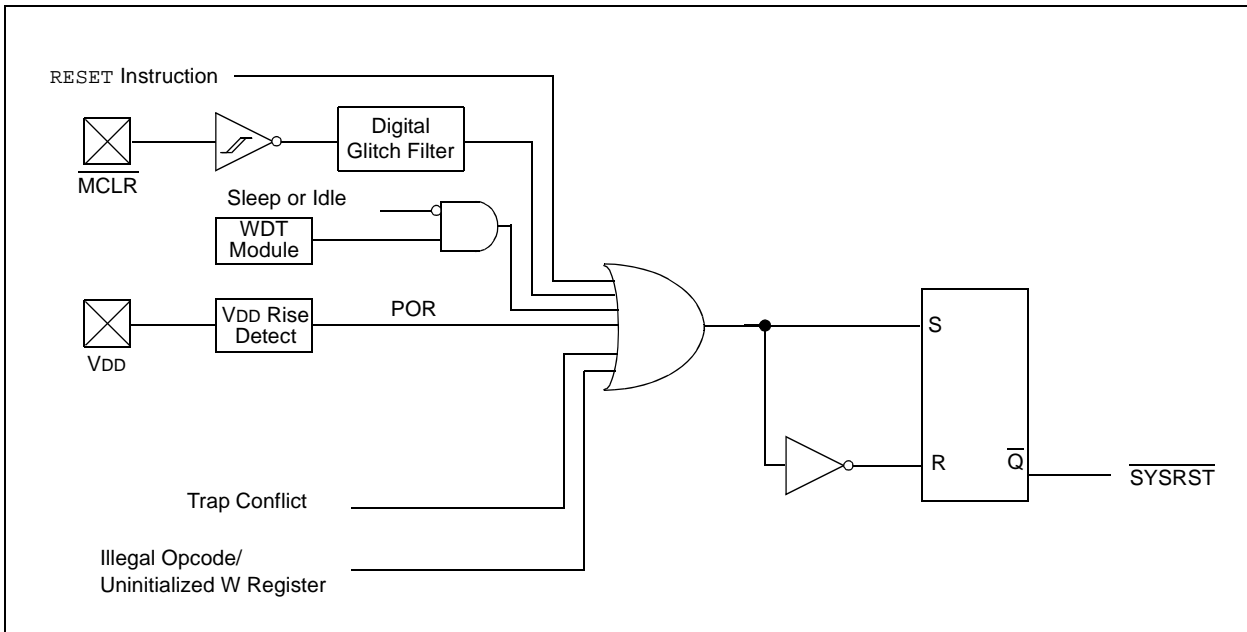


FIGURE 18-7: RESET SYSTEM BLOCK DIAGRAM



18.7.1 POR: POWER-ON RESET

A power-on event will generate an internal POR pulse when a VDD rise is detected. The Reset pulse will occur at the POR circuit threshold voltage (VPOR), which is nominally 1.85V. The device supply voltage characteristics must meet specified starting voltage and rise rate requirements. The POR pulse will reset a POR timer and place the device in the Reset state. The POR also selects the device clock source identified by the oscillator configuration fuses.

The POR circuit inserts a small delay, TPOR, which is nominally 10 μs and ensures that the device bias circuits are stable. Furthermore, a user selected power-up time-out (TPWRT) is applied. The TPWRT parameter is based on Configuration bits and can be 0 ms (no delay), 4 ms, 16 ms or 64 ms. The total delay is at device power-up TPOR + TPWRT. When these delays have expired, $\overline{\text{SYSRST}}$ will be negated on the next leading edge of the Q1 clock, and the PC will jump to the Reset vector.

The timing for the $\overline{\text{SYSRST}}$ signal is shown in Figure 18-8 through Figure 18-10.

FIGURE 18-8: TIME-OUT SEQUENCE ON POWER-UP ($\overline{\text{MCLR}}$ TIED TO VDD)

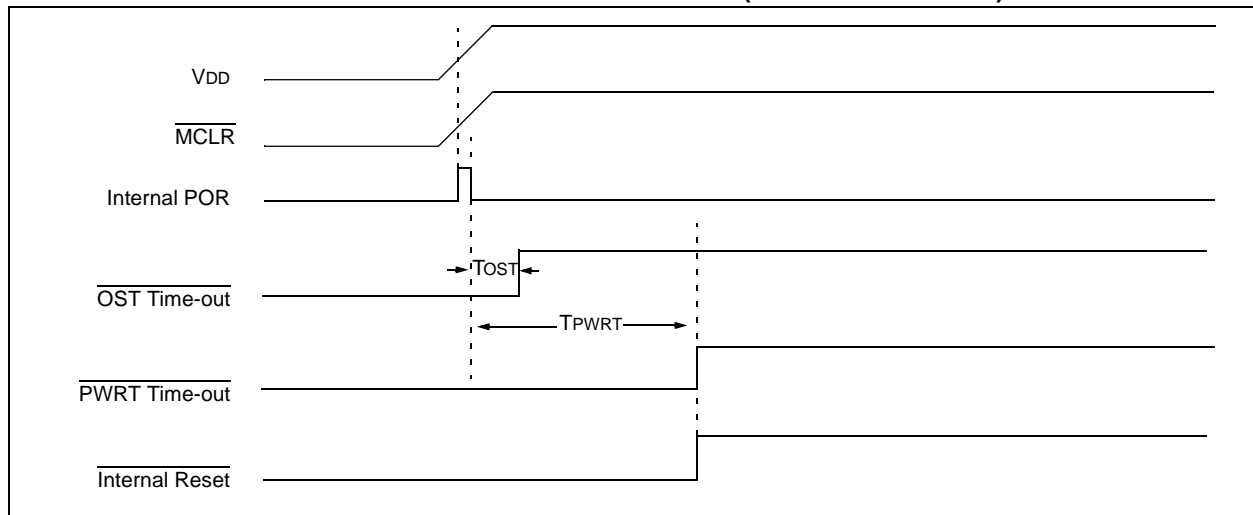
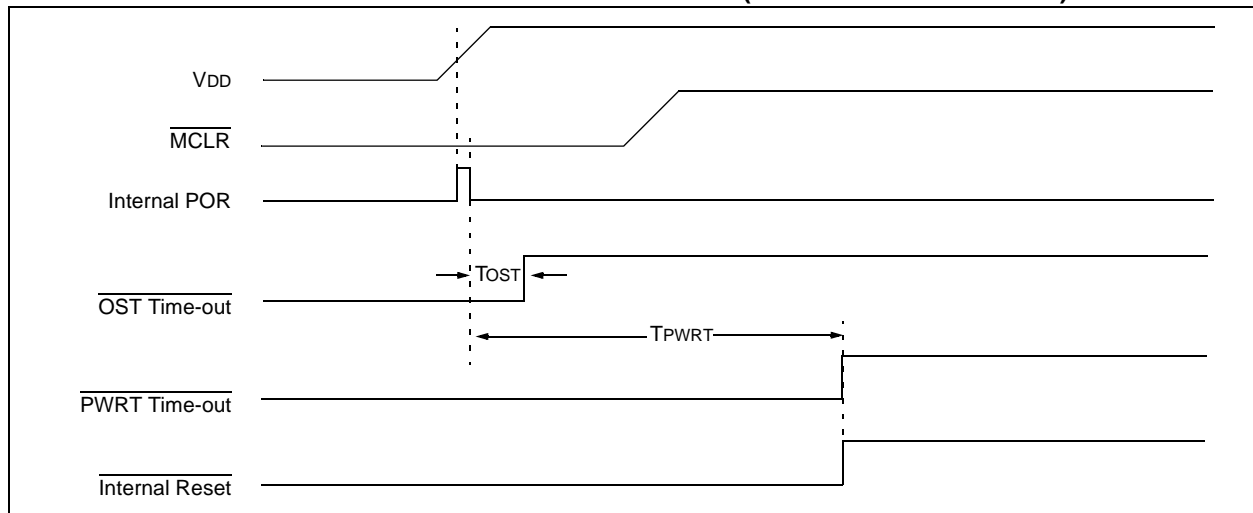
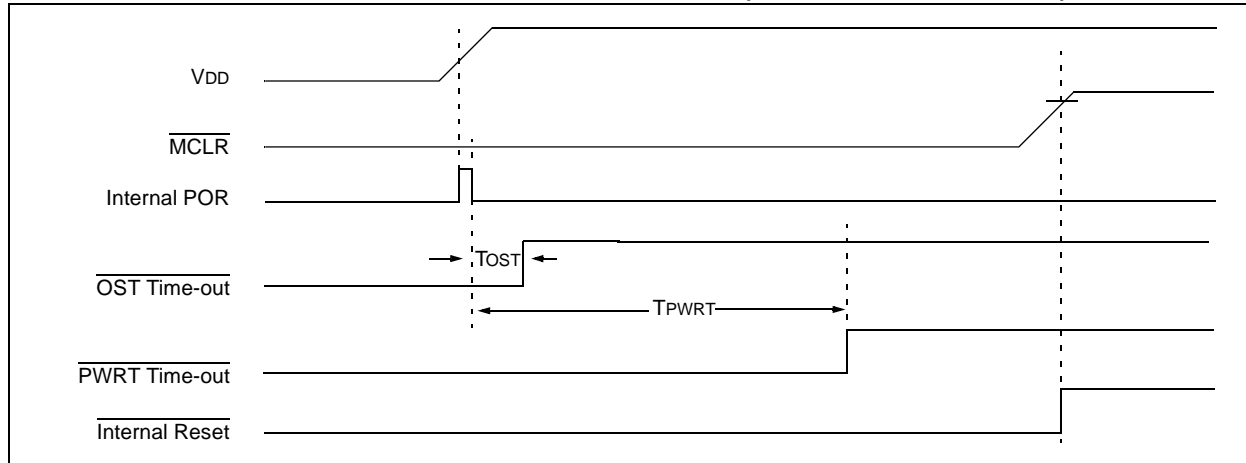


FIGURE 18-9: TIME-OUT SEQUENCE ON POWER-UP ($\overline{\text{MCLR}}$ NOT TIED TO VDD): CASE 1



dsPIC30F1010/202X

FIGURE 18-10: TIME-OUT SEQUENCE ON POWER-UP ($\overline{\text{MCLR}}$ NOT TIED TO V_{DD}): CASE 2



18.7.1.1 POR with Long Crystal Start-up Time (with FSCM Enabled)

The oscillator start-up circuitry is not linked to the POR circuitry. Some crystal circuits (especially low frequency crystals) will have a relatively long start-up time. Therefore, one or more of the following conditions is possible after the POR timer and the PWRT have expired:

- The oscillator circuit has not begun to oscillate.
- The Oscillator Start-up Timer has NOT expired (if a crystal oscillator is used).
- The PLL has not achieved a LOCK (if PLL is used).

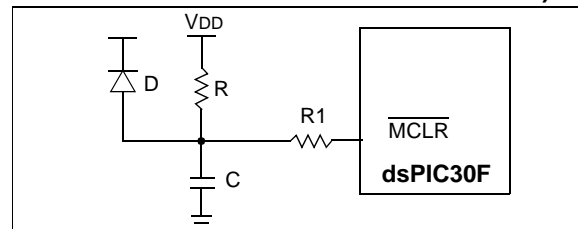
If the FSCM is enabled and one of the above conditions is true, then a clock failure trap will occur. The device will automatically switch to the FRC oscillator and the user can switch to the desired crystal oscillator in the trap, ISR.

18.7.1.2 Operating without FSCM and PWRT

If the FSCM is disabled and the Power-up Timer (PWRT) is also disabled, then the device will exit rapidly from Reset on power-up. If the clock source is FRC or EC, it will be active immediately.

If the FSCM is disabled and the system clock has not started, the device will be in a frozen state at the Reset vector until the system clock starts. From the user's perspective, the device will appear to be in Reset until a system clock is available.

FIGURE 18-11: EXTERNAL POWER-ON RESET CIRCUIT (FOR SLOW V_{DD} POWER-UP)



Note 1: External Power-on Reset circuit is required only if the V_{DD} power-up slope is too slow. The diode D helps discharge the capacitor quickly when V_{DD} powers down.

2: R should be suitably chosen so as to make sure that the voltage drop across R does not violate the device's electrical specification.

3: R1 should be suitably chosen so as to limit any current flowing into $\overline{\text{MCLR}}$ from external capacitor C, in the event of $\overline{\text{MCLR}}/V_{\text{PP}}$ pin breakdown due to Electrostatic Discharge (ESD) or Electrical Overstress (EOS).

Note: Dedicated supervisory devices, such as the MCP1XX and MCP8XX, may also be used as an external Power-on Reset circuit.

Table 18-3 shows the Reset conditions for the RCON register. Since the control bits within the RCON register are R/W, the information in the table implies that all the bits are negated prior to the action specified in the condition column.

TABLE 18-3: INITIALIZATION CONDITION FOR RCON REGISTER CASE 1

| Condition | Program Counter | TRAPR | IOPUWR | EXTR | SWR | WDTO | IDLE | SLEEP | POR |
|--|-----------------------|-------|--------|------|-----|------|------|-------|-----|
| Power-on Reset | 0x000000 | 0 | 0 | 0 | 0 | 0 | 0 | 0 | 1 |
| MCLR Reset during normal operation | 0x000000 | 0 | 0 | 1 | 0 | 0 | 0 | 0 | 0 |
| Software Reset during normal operation | 0x000000 | 0 | 0 | 0 | 1 | 0 | 0 | 0 | 0 |
| MCLR Reset during Sleep | 0x000000 | 0 | 0 | 1 | 0 | 0 | 0 | 1 | 0 |
| MCLR Reset during Idle | 0x000000 | 0 | 0 | 1 | 0 | 0 | 1 | 0 | 0 |
| WDT Time-out Reset | 0x000000 | 0 | 0 | 0 | 0 | 1 | 0 | 0 | 0 |
| WDT Wake-up | PC + 2 | 0 | 0 | 0 | 0 | 1 | 0 | 1 | 0 |
| Interrupt Wake-up from Sleep | PC + 2 ⁽¹⁾ | 0 | 0 | 0 | 0 | 0 | 0 | 1 | 0 |
| Clock Failure Trap | 0x000004 | 0 | 0 | 0 | 0 | 0 | 0 | 0 | 0 |
| Trap Reset | 0x000000 | 1 | 0 | 0 | 0 | 0 | 0 | 0 | 0 |
| Illegal Operation Trap | 0x000000 | 0 | 1 | 0 | 0 | 0 | 0 | 0 | 0 |

Note 1: When the wake-up is due to an enabled interrupt, the PC is loaded with the corresponding interrupt vector.

Table 18-4 shows a second example of the bit conditions for the RCON register. In this case, it is not assumed the user has set/cleared specific bits prior to action specified in the condition column.

TABLE 18-4: INITIALIZATION CONDITION FOR RCON REGISTER CASE 2

| Condition | Program Counter | TRAPR | IOPUWR | EXTR | SWR | WDTO | IDLE | SLEEP | POR |
|--|-----------------------|-------|--------|------|-----|------|------|-------|-----|
| Power-on Reset | 0x000000 | 0 | 0 | 0 | 0 | 0 | 0 | 0 | 1 |
| MCLR Reset during normal operation | 0x000000 | u | u | 1 | 0 | 0 | 0 | 0 | u |
| Software Reset during normal operation | 0x000000 | u | u | 0 | 1 | 0 | 0 | 0 | u |
| MCLR Reset during Sleep | 0x000000 | u | u | 1 | u | 0 | 0 | 1 | u |
| MCLR Reset during Idle | 0x000000 | u | u | 1 | u | 0 | 1 | 0 | u |
| WDT Time-out Reset | 0x000000 | u | u | 0 | 0 | 1 | 0 | 0 | u |
| WDT Wake-up | PC + 2 | u | u | u | u | 1 | u | 1 | u |
| Interrupt Wake-up from Sleep | PC + 2 ⁽¹⁾ | u | u | u | u | u | u | 1 | u |
| Clock Failure Trap | 0x000004 | u | u | u | u | u | u | u | u |
| Trap Reset | 0x000000 | 1 | u | u | u | u | u | u | u |
| Illegal Operation Reset | 0x000000 | u | 1 | u | u | u | u | u | u |

Legend: u = unchanged

Note 1: When the wake-up is due to an enabled interrupt, the PC is loaded with the corresponding interrupt vector.

dsPIC30F1010/202X

18.8 Watchdog Timer (WDT)

18.8.1 WATCHDOG TIMER OPERATION

The primary function of the Watchdog Timer (WDT) is to reset the processor in the event of a software malfunction. The WDT is a free-running timer, which runs off an on-chip RC oscillator, requiring no external component. Therefore, the WDT timer will continue to operate even if the main processor clock (e.g., the crystal oscillator) fails.

18.8.2 ENABLING AND DISABLING THE WDT

The Watchdog Timer can be “enabled” or “disabled” only through a Configuration bit (FWDTEN) in the Configuration register FWDT.

Setting FWDTEN = 1 enables the Watchdog Timer. The enabling is done when programming the device. By default, after chip-erase, FWDTEN bit = 1. Any device programmer capable of programming dsPIC30F devices allows programming of this and other Configuration bits.

If enabled, the WDT will increment until it overflows or “times out”. A WDT time-out will force a device Reset (except during Sleep). To prevent a WDT time-out, the user must clear the Watchdog Timer using a CLRWDT instruction.

If a WDT times out during Sleep, the device will wake-up. The WDTO bit in the RCON register will be cleared to indicate a wake-up resulting from a WDT time-out.

Setting FWDTEN = 0 allows user software to enable/disable the Watchdog Timer via the SWDTEN (RCON<5>) control bit.

18.9 Power-Saving Modes

There are two power-saving states that can be entered through the execution of a special instruction, PWRSAV.

These are: Sleep and Idle.

The format of the PWRSAV instruction is as follows:

PWRSAV <parameter>, where ‘parameter’ defines Idle or Sleep mode.

18.9.1 SLEEP MODE

In Sleep mode, the clock to the CPU and peripherals is shutdown. If an on-chip oscillator is being used, it is shutdown.

The Fail-Safe Clock Monitor is not functional during Sleep, since there is no clock to monitor. However, LPRC clock remains active if WDT is operational during Sleep.

The processor wakes up from Sleep if at least one of the following conditions has occurred:

- any interrupt that is individually enabled and meets the required priority level
- any Reset (POR and MCLR)
- WDT time-out

On waking up from Sleep mode, the processor will restart the same clock that was active prior to entry into Sleep mode. When clock switching is enabled, bits COSC<2:0> will determine the oscillator source that will be used on wake-up. If clock switch is disabled, then there is only one system clock.

Note: If a POR occurred, the selection of the oscillator is based on the FOSC<2:0> and FOSCSEL<1:0> Configuration bits.

If the clock source is an oscillator, the clock to the device is held off until OST times out (indicating a stable oscillator). If PLL is used, the system clock is held off until LOCK = 1 (indicating that the PLL is stable). Either way, TPOR, TLOCK and TPWRT delays are applied.

If EC, FRC, oscillators are used, then a delay of TPOR (~10 μs) is applied. This is the smallest delay possible on wake-up from Sleep.

Moreover, if LP oscillator was active during Sleep, and LP is the oscillator used on wake-up, then the start-up delay will be equal to TPOR. PWRT delay and OST timer delay are not applied. In order to have the smallest possible start-up delay when waking up from Sleep, one of these faster wake-up options should be selected before entering Sleep.

Any interrupt that is individually enabled (using the corresponding IE bit) and meets the prevailing priority level will be able to wake-up the processor. The processor will process the interrupt and branch to the ISR. The Sleep status bit in the RCON register is set upon wake-up.

Note: In spite of various delays applied (TPOR, TLOCK and TPWRT), the crystal oscillator (and PLL) may not be active at the end of the time-out (e.g., for low frequency crystals). In such cases, if FSCM is enabled, the device will detect this as a clock failure and process the clock failure trap, the FRC oscillator will be enabled, and the user will have to re-enable the crystal oscillator. If FSCM is not enabled, then the device will simply suspend execution of code until the clock is stable, and will remain in Sleep until the oscillator clock has started.

All Resets will wake-up the processor from Sleep mode. Any Reset, other than POR, will set the Sleep status bit. In a POR, the Sleep bit is cleared.

If Watchdog Timer is enabled, then the processor will wake-up from Sleep mode upon WDT time-out. The Sleep and WDTO status bits are both set.

18.9.2 IDLE MODE

In Idle mode, the clock to the CPU is shutdown while peripherals keep running. Unlike Sleep mode, the clock source remains active.

Several peripherals have a control bit in each module that allows them to operate during Idle.

LPRC fail-safe clock remains active if clock failure detect is enabled.

The processor wakes up from Idle if at least one of the following conditions is true:

- on any interrupt that is individually enabled (IE bit is '1') and meets the required priority level
- on any Reset (POR, $\overline{\text{MCLR}}$)
- on WDT time-out

Upon wake-up from Idle mode, the clock is reapplied to the CPU and instruction execution begins immediately, starting with the instruction following the `PWRSVAV` instruction.

Any interrupt that is individually enabled (using IE bit) and meets the prevailing priority level will be able to wake-up the processor. The processor will process the interrupt and branch to the ISR. The Idle status bit in RCON register is set upon wake-up.

Any Reset, other than POR, will set the Idle status bit. On a POR, the Idle bit is cleared.

If Watchdog Timer is enabled, then the processor will wake-up from Idle mode upon WDT time-out. The Idle and WDTO status bits are both set.

Unlike wake-up from Sleep, there are no time delays involved in wake-up from Idle.

18.10 Device Configuration Registers

The Configuration bits in each device Configuration register specify some of the device modes and are programmed by a device programmer, or by using the In-Circuit Serial Programming (ICSP) feature of the device. Each device Configuration register is a 24-bit register, but only the lower 16 bits of each register are used to hold configuration data. There are six Configuration registers available to the user:

1. FBS (0xF80000): Boot Code Segment Configuration Register
2. FGS (0xF80004): General Code Segment Configuration Register
3. FOSCEL (0xF80006): Oscillator Selection Configuration Register
4. FOSC (0xF80008): Oscillator Configuration Register
5. FWDT (0xF8000A): Watchdog Timer Configuration Register
6. FPOR (0xF8000C): Power-On Reset Configuration Register

The placement of the Configuration bits is automatically handled when you select the device in your device programmer. The desired state of the Configuration bits may be specified in the source code (dependent on the language tool used), or through the programming interface. After the device has been programmed, the application software may read the Configuration bit values through the table read instructions. For additional information, please refer to the programming specifications of the device.

Note: If the code protection configuration fuse bits (GSS<1:0> and GWRP in the FGS register) have been programmed, an erase of the entire code-protected device is only possible at voltages $V_{DD} \geq 4.5V$.

Table 18-5 shows the bit descriptions of the FGS and FBS registers for the dsPIC30F1010. Table 18-6 shows the bit descriptions of the FGS and FBS registers for dsPIC30F202x devices. Table 18-7 shows the bit descriptions of FWDT and the FPOR registers for dsPIC30F1010/202X devices.

dsPIC30F1010/202X

TABLE 18-5: FGS AND FBS BIT DESCRIPTIONS FOR THE dsPIC30F1010

| Bit Field | Register | Description |
|-----------|----------|--|
| BWRP | FBS | Boot Segment Program Flash Write Protection 1 = Boot segment may be written 0 = Boot segment is write-protected |
| BSS<2:0> | FBS | Boot Segment Program Flash Code Protection Size x11 = No boot program Flash segment x00 = No boot program Flash segment x01 = No boot program Flash segment 110 = Standard security; small boot segment; boot program Flash segment starts at the end of the Interrupt Vector Segment and ends at 0003FFH 010 = High security; small boot segment; boot program Flash segment starts at the end of the Interrupt Vector Segment and ends at 0003FFH |
| GRWP | FGS | General Segment Program Flash Write Protection 1 = General segment may be written 0 = General segment is write-protected |
| GSS<1:0> | FGS | General Segment Program Flash Code Protection 11 = No Protection 10 = Standard security; general program Flash segment starts at the end of the boot segment and ends at the end of program Flash 0x = Reserved |

TABLE 18-6: FGS AND FBS BIT DESCRIPTIONS FOR THE dsPIC30F202X

| Bit Field | Register | Description |
|-----------|----------|---|
| BWRP | FBS | Boot Segment Program Flash Write Protection 1 = Boot segment may be written 0 = Boot segment is write-protected |
| BSS<2:0> | FBS | Boot Segment Program Flash Code Protection Size x11 = No boot program Flash segment x00 = No boot program Flash segment 110 = Standard security; small boot segment; boot program Flash segment starts at the end of the Interrupt Vector Segment and ends at 0003FFH 010 = High security; small boot segment; boot program Flash segment starts at the end of the Interrupt Vector Segment and ends at 0003FFH 101 = Standard security; medium boot segment; boot program Flash segment starts at the end of the Interrupt Vector Segment and ends at 000FFFH 001 = High security; medium boot segment; boot program Flash segment starts at the end of the Interrupt Vector Segment and ends at 000FFFH |
| GWRP | FGS | General Segment Program Flash Write Protection 1 = General segment may be written 0 = General segment is write-protected |
| GSS<1:0> | FGS | General Segment Program Flash Code Protection 11 = No Protection 10 = Standard security; general program Flash segment starts at the end of the Boot Segment and ends at the end of program Flash 0x = Reserved |

TABLE 18-7: FWDT AND FPOR BIT DESCRIPTIONS FOR dsPIC30F1010/202X

| Bit Field | Register | Description |
|--------------|----------|--|
| FWDTEN | FWDT | Watchdog Timer Enable bit 1 = Watchdog Timer always enabled. (LPRC oscillator cannot be disabled. Clearing the SWDTEN bit in the RCON register will have no effect.) 0 = Watchdog Timer enabled/disabled by user software (LPRC can be disabled by clearing the SWDTEN bit in the RCON register) |
| WWDTEN | FWDT | Watchdog Timer Window Enable bit 1 = Watchdog Timer in Non-Window mode 0 = Watchdog Timer in Window mode |
| WDTPRE | FWDT | Watchdog Timer Prescaler bit 1 = 1:128 0 = 1:32 |
| WDTPOST<3:0> | FWDT | Watchdog Timer Postscaler bits 1111 = 1:32, 768 1110 = 1:16, 384 . . . 0001 = 1:2 0000 = 1:1 |
| FPWRT<2:0> | FPOR | Power-on Reset Timer Value Select bits 111 = PWRT = 128 ms 110 = PWRT = 64 ms 101 = PWRT = 32 ms 100 = PWRT = 16 ms 011 = PWRT = 8 ms 010 = PWRT = 4 ms 001 = PWRT = 2 ms 000 = PWRT = Disabled |

18.11 In-Circuit Debugger

When MPLAB® ICD 2 is selected as a debugger, the in-circuit debugging functionality is enabled. This function allows simple debugging functions when used with MPLAB IDE. When the device has this feature enabled, some of the resources are not available for general use. These resources include the first 80 bytes of data RAM and two I/O pins.

One of four pairs of Debug I/O pins may be selected by the user using configuration options in MPLAB IDE. These pin pairs are named EMUD/EMUC, EMUD1/EMUC1 and EMUD2/EMUC2.

In each case, the selected EMUD pin is the Emulation/Debug Data line, and the EMUC pin is the Emulation/Debug Clock line. These pins will interface to the MPLAB ICD 2 module available from Microchip. The selected pair of Debug I/O pins is used by MPLAB ICD 2 to send commands and receive responses, as well as to send and receive data. To use the in-circuit debugging function of the device, the design must implement ICSP connections to \overline{MCLR} , V_{DD} , V_{SS} , PGD, PGC and the selected EMUDx/EMUCx pin pair.

This gives rise to two possibilities:

1. If EMUD/EMUC is selected as the debug I/O pin pair, then only a 5-pin interface is required, as the EMUD and EMUC pin functions are multiplexed with the PGD and PGC pin functions in all dsPIC30F devices.
2. If EMUD1/EMUC1 or EMUD2/EMUC2 is selected as the debug I/O pin pair, then a 7-pin interface is required, as the EMUDx/EMUCx pin functions (x = 1 or 2) are not multiplexed with the PGD and PGC pin functions.

TABLE 18-8: SYSTEM INTEGRATION REGISTER MAP FOR dsPIC30F202X

| SFR Name | Addr | Bit 15 | Bit 14 | Bit 13 | Bit 12 | Bit 11 | Bit 10 | Bit 9 | Bit 8 | Bit 7 | Bit 6 | Bit 5 | Bit 4 | Bit 3 | Bit 2 | Bit 1 | Bit 0 | Reset State |
|----------|------|------------|------------|--------|--------|------------|-----------|-------|-------|------------|-------|--------|--------|------------|--------|-------|-------|--------------------------------|
| RCON | 0740 | TRAPR | IOPUWR | — | — | — | — | — | — | EXTR | SWR | SWDTEN | WDTO | SLEEP | IDLE | — | POR | Depends on type of Reset. |
| OSCCON | 0742 | — | COSC<2:0> | | | — | NOSC<2:0> | | | CLKLOCK | — | LOCK | PRCDEN | CF | TSEQEN | — | OSWEN | Depends on Configuration bits. |
| OSCTUN | 0748 | TSEQ3<3:0> | | | | TSEQ2<3:0> | | | | TSEQ1<3:0> | | | | TUN<3:0> | | | | 0000 0000 0000 0000 |
| OSCTUN2 | 074A | TSEQ7<3:0> | | | | TSEQ6<3:0> | | | | TSEQ5<3:0> | | | | TSEQ4<3:0> | | | | 0000 0000 0000 0000 |
| LFSR | 074C | — | LFSR<14:0> | | | | | | | | | | | | | | | 0000 0000 0000 0000 |
| PMD1 | 0770 | — | — | T3MD | T2MD | T1MD | — | PWMMD | — | I2CMD | — | U1MD | — | SPI1MD | — | — | ADCMD | 0000 0000 0000 0000 |
| PMD2 | 0772 | — | — | — | — | — | — | — | IC1MD | — | — | — | — | — | — | OC2MD | OC1MD | 0000 0000 0000 0000 |
| PMD3 | 0774 | — | — | — | — | CMP_PSMD | — | — | — | — | — | — | — | — | — | — | — | 0000 0000 0000 0000 |

Note: Refer to the “dsPIC30F Family Reference Manual” (DS70046) for descriptions of register bit fields.

TABLE 18-9: DEVICE CONFIGURATION REGISTER MAP

| File Name | Addr. | Bits 23-16 | Bit 15 | Bit 14 | Bit 13 | Bit 12 | Bit 11 | Bit 10 | Bit 9 | Bit 8 | Bit 7 | Bit 6 | Bit 5 | Bit 4 | Bit 3 | Bit 2 | Bit 1 | Bit 0 |
|-----------|--------|------------|--------|--------|--------|--------|--------|--------|-------|-------|------------|--------|--------|--------|--------------|------------|-------------|-------|
| FBS | F80000 | — | — | — | — | — | — | — | — | — | — | — | — | — | BSS<2:0> | | | BWRP |
| FGS | F80004 | — | — | — | — | — | — | — | — | — | — | — | — | — | — | GSS1 | GSS0 | GWRP |
| FOSCSSEL | F80006 | — | — | — | — | — | — | — | — | — | — | — | — | — | — | — | FNOSC<1:0> | |
| FOSC | F80008 | — | — | — | — | — | — | — | — | — | FCKSM<1:0> | | FRANGE | — | — | OSCIOFNC | POSCMD<1:0> | |
| FWDI | F8000A | — | — | — | — | — | — | — | — | — | FWDTEN | WWDTEN | — | WDTPRE | WDTPOST<3:0> | | | |
| FPOR | F8000C | — | — | — | — | — | — | — | — | — | — | — | — | — | — | FPWRT<2:0> | | |

Note: Refer to the “dsPIC30F Family Reference Manual” (DS70046) for descriptions of register bit fields.

19.0 INSTRUCTION SET SUMMARY

Note: This data sheet summarizes features of this group of dsPIC30F devices and is not intended to be a complete reference source. For more information on the CPU, peripherals, register descriptions and general device functionality, refer to the “*dsPIC30F Family Reference Manual*” (DS70046). For more information on the device instruction set and programming, refer to the “*dsPIC30F/33F Programmer’s Reference Manual*” (DS70157).

The dsPIC30F instruction set adds many enhancements to the previous PIC[®] MCU instruction sets, while maintaining an easy migration from PIC MCU instruction sets.

Most instructions are a single program memory word (24 bits). Only three instructions require two program memory locations.

Each single-word instruction is a 24-bit word divided into an 8-bit opcode which specifies the instruction type, and one or more operands which further specify the operation of the instruction.

The instruction set is highly orthogonal and is grouped into five basic categories:

- Word or byte-oriented operations
- Bit-oriented operations
- Literal operations
- DSP operations
- Control operations

Table 19-1 shows the general symbols used in describing the instructions.

The dsPIC30F instruction set summary in Table 19-2 lists all the instructions along with the status flags affected by each instruction.

Most word or byte-oriented W register instructions (including barrel shift instructions) have three operands:

- The first source operand, which is typically a register ‘Wb’ without any address modifier
- The second source operand, which is typically a register ‘Ws’ with or without an address modifier
- The destination of the result, which is typically a register ‘Wd’ with or without an address modifier

However, word or byte-oriented file register instructions have two operands:

- The file register specified by the value ‘f’
- The destination, which could either be the file register ‘f’ or the W0 register, which is denoted as ‘WREG’

Most bit-oriented instructions (including simple rotate/shift instructions) have two operands:

- The W register (with or without an address modifier) or file register (specified by the value of ‘Ws’ or ‘f’)
- The bit in the W register or file register (specified by a literal value, or indirectly by the contents of register ‘Wb’)

The literal instructions that involve data movement may use some of the following operands:

- A literal value to be loaded into a W register or file register (specified by the value of ‘k’)
- The W register or file register where the literal value is to be loaded (specified by ‘Wb’ or ‘f’)

However, literal instructions that involve arithmetic or logical operations use some of the following operands:

- The first source operand, which is a register ‘Wb’ without any address modifier
- The second source operand, which is a literal value
- The destination of the result (only if not the same as the first source operand), which is typically a register ‘Wd’ with or without an address modifier

The MAC class of DSP instructions may use some of the following operands:

- The accumulator (A or B) to be used (required operand)
- The W registers to be used as the two operands
- The X and Y address space prefetch operations
- The X and Y address space prefetch destinations
- The accumulator write back destination

The other DSP instructions do not involve any multiplication, and may include:

- The accumulator to be used (required)
- The source or destination operand (designated as Wso or Wdo, respectively) with or without an address modifier
- The amount of shift, specified by a W register ‘Wn’ or a literal value

The control instructions may use some of the following operands:

- A program memory address
- The mode of the Table Read and Table Write instructions

All instructions are a single word, except for certain double word instructions, which were made double word instructions so that all the required information is available in these 48 bits. In the second word, the 8 MSBs are ‘0’s. If this second word is executed as an instruction (by itself), it will execute as a NOP.

dsPIC30F1010/202X

Most single-word instructions are executed in a single instruction cycle, unless a conditional test is true or the Program Counter is changed as a result of the instruction. In these cases, the execution takes two instruction cycles with the additional instruction cycle(s) executed as a NOP. Notable exceptions are the BRA (unconditional/computed branch), indirect CALL/GOTO, all Table Reads and Writes and RETURN/RETFIE instructions, which are single-word instructions, but take two or three cycles. Certain instructions that involve skipping over the subsequent instruction, require either

two or three cycles if the skip is performed, depending on whether the instruction being skipped is a single-word or two-word instruction. Moreover, double word moves require two cycles. The double word instructions execute in two instruction cycles.

Note: For more details on the instruction set, refer to the “*dsPIC30F/33F Programmer’s Reference Manual*” (DS70157).

TABLE 19-1: SYMBOLS USED IN OPCODE DESCRIPTIONS

| Field | Description |
|-----------------|---|
| #text | Means literal defined by “text” |
| (text) | Means “content of text” |
| [text] | Means “the location addressed by text” |
| { } | Optional field or operation |
| <n:m> | Register bit field |
| .b | Byte mode selection |
| .d | Double Word mode selection |
| .s | Shadow register select |
| .w | Word mode selection (default) |
| Acc | One of two accumulators {A, B} |
| AWB | Accumulator write back destination address register $\in \{W13, [W13] + 2\}$ |
| bit4 | 4-bit bit selection field (used in word addressed instructions) $\in \{0...15\}$ |
| C, DC, N, OV, Z | MCU Status bits: Carry, Digit Carry, Negative, Overflow, Zero |
| Expr | Absolute address, label or expression (resolved by the linker) |
| f | File register address $\in \{0x0000...0x1FFF\}$ |
| lit1 | 1-bit unsigned literal $\in \{0,1\}$ |
| lit4 | 4-bit unsigned literal $\in \{0...15\}$ |
| lit5 | 5-bit unsigned literal $\in \{0...31\}$ |
| lit8 | 8-bit unsigned literal $\in \{0...255\}$ |
| lit10 | 10-bit unsigned literal $\in \{0...255\}$ for Byte mode, $\{0:1023\}$ for Word mode |
| lit14 | 14-bit unsigned literal $\in \{0...16384\}$ |
| lit16 | 16-bit unsigned literal $\in \{0...65535\}$ |
| lit23 | 23-bit unsigned literal $\in \{0...8388608\}$; LSB must be ‘0’ |
| None | Field does not require an entry, may be blank |
| OA, OB, SA, SB | DSP Status bits: ACCA Overflow, ACCB Overflow, ACCA Saturate, ACCB Saturate |
| PC | Program Counter |
| Slit10 | 10-bit signed literal $\in \{-512...511\}$ |
| Slit16 | 16-bit signed literal $\in \{-32768...32767\}$ |
| Slit6 | 6-bit signed literal $\in \{-16...16\}$ |

TABLE 19-1: SYMBOLS USED IN OPCODE DESCRIPTIONS (CONTINUED)

| Field | Description |
|--------|---|
| Wb | Base W register $\in \{W0..W15\}$ |
| Wd | Destination W register $\in \{Wd, [Wd], [Wd++] , [Wd--], [++Wd], [--Wd] \}$ |
| Wdo | Destination W register $\in \{Wnd, [Wnd], [Wnd++] , [Wnd--], [++Wnd], [--Wnd], [Wnd+Wb] \}$ |
| Wm, Wn | Dividend, Divisor working register pair (direct addressing) |
| Wm*Wm | Multiplicand and Multiplier working register pair for Square instructions $\in \{W4 * W4, W5 * W5, W6 * W6, W7 * W7\}$ |
| Wm*Wn | Multiplicand and Multiplier working register pair for DSP instructions $\in \{W4 * W5, W4 * W6, W4 * W7, W5 * W6, W5 * W7, W6 * W7\}$ |
| Wn | One of 16 working registers $\in \{W0..W15\}$ |
| Wnd | One of 16 destination working registers $\in \{W0..W15\}$ |
| Wns | One of 16 source working registers $\in \{W0..W15\}$ |
| WREG | W0 (working register used in file register instructions) |
| Ws | Source W register $\in \{Ws, [Ws], [Ws++] , [Ws--], [++Ws], [--Ws] \}$ |
| Wso | Source W register $\in \{Wns, [Wns], [Wns++] , [Wns--], [++Wns], [--Wns], [Wns+Wb] \}$ |
| Wx | X data space prefetch address register for DSP instructions $\in \{[W8] + = 6, [W8] + = 4, [W8] + = 2, [W8], [W8] - = 6, [W8] - = 4, [W8] - = 2, [W9] + = 6, [W9] + = 4, [W9] + = 2, [W9], [W9] - = 6, [W9] - = 4, [W9] - = 2, [W9 + W12], \text{none}\}$ |
| Wxd | X data space prefetch destination register for DSP instructions $\in \{W4..W7\}$ |
| Wy | Y data space prefetch address register for DSP instructions $\in \{[W10] + = 6, [W10] + = 4, [W10] + = 2, [W10], [W10] - = 6, [W10] - = 4, [W10] - = 2, [W11] + = 6, [W11] + = 4, [W11] + = 2, [W11], [W11] - = 6, [W11] - = 4, [W11] - = 2, [W11 + W12], \text{none}\}$ |
| Wyd | Y data space prefetch destination register for DSP instructions $\in \{W4..W7\}$ |

dsPIC30F1010/202X

TABLE 19-2: INSTRUCTION SET OVERVIEW

| Base Instr # | Assembly Mnemonic | Assembly Syntax | Description | # of words | # of cycles | Status Flags Affected |
|--------------------|-------------------|-----------------------------|--|------------|---------------|-----------------------|
| 1 | ADD | ADD <i>Acc</i> | Add Accumulators | 1 | 1 | OA,OB,SA,SB |
| | | ADD <i>f</i> | $f = f + WREG$ | 1 | 1 | C,DC,N,OV,Z |
| | | ADD <i>f, WREG</i> | $WREG = f + WREG$ | 1 | 1 | C,DC,N,OV,Z |
| | | ADD <i>#lit10, Wn</i> | $Wd = lit10 + Wd$ | 1 | 1 | C,DC,N,OV,Z |
| | | ADD <i>Wb, Ws, Wd</i> | $Wd = Wb + Ws$ | 1 | 1 | C,DC,N,OV,Z |
| | | ADD <i>Wb, #lit5, Wd</i> | $Wd = Wb + lit5$ | 1 | 1 | C,DC,N,OV,Z |
| | | ADD <i>Wso, #Slit4, Acc</i> | 16-bit Signed Add to Accumulator | 1 | 1 | OA,OB,SA,SB |
| 2 | ADDC | ADDC <i>f</i> | $f = f + WREG + (C)$ | 1 | 1 | C,DC,N,OV,Z |
| | | ADDC <i>f, WREG</i> | $WREG = f + WREG + (C)$ | 1 | 1 | C,DC,N,OV,Z |
| | | ADDC <i>#lit10, Wn</i> | $Wd = lit10 + Wd + (C)$ | 1 | 1 | C,DC,N,OV,Z |
| | | ADDC <i>Wb, Ws, Wd</i> | $Wd = Wb + Ws + (C)$ | 1 | 1 | C,DC,N,OV,Z |
| | | ADDC <i>Wb, #lit5, Wd</i> | $Wd = Wb + lit5 + (C)$ | 1 | 1 | C,DC,N,OV,Z |
| 3 | AND | AND <i>f</i> | $f = f .AND. WREG$ | 1 | 1 | N,Z |
| | | AND <i>f, WREG</i> | $WREG = f .AND. WREG$ | 1 | 1 | N,Z |
| | | AND <i>#lit10, Wn</i> | $Wd = lit10 .AND. Wd$ | 1 | 1 | N,Z |
| | | AND <i>Wb, Ws, Wd</i> | $Wd = Wb .AND. Ws$ | 1 | 1 | N,Z |
| | | AND <i>Wb, #lit5, Wd</i> | $Wd = Wb .AND. lit5$ | 1 | 1 | N,Z |
| 4 | ASR | ASR <i>f</i> | $f = \text{Arithmetic Right Shift } f$ | 1 | 1 | C,N,OV,Z |
| | | ASR <i>f, WREG</i> | $WREG = \text{Arithmetic Right Shift } f$ | 1 | 1 | C,N,OV,Z |
| | | ASR <i>Ws, Wd</i> | $Wd = \text{Arithmetic Right Shift } Ws$ | 1 | 1 | C,N,OV,Z |
| | | ASR <i>Wb, Wns, Wnd</i> | $Wnd = \text{Arithmetic Right Shift } Wb \text{ by } Wns$ | 1 | 1 | N,Z |
| | | ASR <i>Wb, #lit5, Wnd</i> | $Wnd = \text{Arithmetic Right Shift } Wb \text{ by } lit5$ | 1 | 1 | N,Z |
| 5 | BCLR | BCLR <i>f, #bit4</i> | Bit Clear <i>f</i> | 1 | 1 | None |
| | | BCLR <i>Ws, #bit4</i> | Bit Clear <i>Ws</i> | 1 | 1 | None |
| 6 | BRA | BRA <i>C, Expr</i> | Branch if Carry | 1 | 1 (2) | None |
| | | BRA <i>GE, Expr</i> | Branch if greater than or equal | 1 | 1 (2) | None |
| | | BRA <i>GEU, Expr</i> | Branch if unsigned greater than or equal | 1 | 1 (2) | None |
| | | BRA <i>GT, Expr</i> | Branch if greater than | 1 | 1 (2) | None |
| | | BRA <i>GTU, Expr</i> | Branch if unsigned greater than | 1 | 1 (2) | None |
| | | BRA <i>LE, Expr</i> | Branch if less than or equal | 1 | 1 (2) | None |
| | | BRA <i>LEU, Expr</i> | Branch if unsigned less than or equal | 1 | 1 (2) | None |
| | | BRA <i>LT, Expr</i> | Branch if less than | 1 | 1 (2) | None |
| | | BRA <i>LTU, Expr</i> | Branch if unsigned less than | 1 | 1 (2) | None |
| | | BRA <i>N, Expr</i> | Branch if Negative | 1 | 1 (2) | None |
| | | BRA <i>NC, Expr</i> | Branch if Not Carry | 1 | 1 (2) | None |
| | | BRA <i>NN, Expr</i> | Branch if Not Negative | 1 | 1 (2) | None |
| | | BRA <i>NOV, Expr</i> | Branch if Not Overflow | 1 | 1 (2) | None |
| | | BRA <i>NZ, Expr</i> | Branch if Not Zero | 1 | 1 (2) | None |
| | | BRA <i>OA, Expr</i> | Branch if accumulator A overflow | 1 | 1 (2) | None |
| | | BRA <i>OB, Expr</i> | Branch if accumulator B overflow | 1 | 1 (2) | None |
| | | BRA <i>OV, Expr</i> | Branch if Overflow | 1 | 1 (2) | None |
| | | BRA <i>SA, Expr</i> | Branch if accumulator A saturated | 1 | 1 (2) | None |
| | | BRA <i>SB, Expr</i> | Branch if accumulator B saturated | 1 | 1 (2) | None |
| | | BRA <i>Expr</i> | Branch Unconditionally | 1 | 2 | None |
| BRA <i>Z, Expr</i> | Branch if Zero | 1 | 1 (2) | None | | |
| BRA <i>Wn</i> | Computed Branch | 1 | 2 | None | | |
| 7 | BSET | BSET <i>f, #bit4</i> | Bit Set <i>f</i> | 1 | 1 | None |
| | | BSET <i>Ws, #bit4</i> | Bit Set <i>Ws</i> | 1 | 1 | None |
| 8 | BSW | BSW.C <i>Ws, Wb</i> | Write C bit to $Ws < Wb >$ | 1 | 1 | None |
| | | BSW.Z <i>Ws, Wb</i> | Write Z bit to $Ws < Wb >$ | 1 | 1 | None |
| 9 | BTG | BTG <i>f, #bit4</i> | Bit Toggle <i>f</i> | 1 | 1 | None |
| | | BTG <i>Ws, #bit4</i> | Bit Toggle <i>Ws</i> | 1 | 1 | None |
| 10 | BTSC | BTSC <i>f, #bit4</i> | Bit Test <i>f</i> , Skip if Clear | 1 | 1 (2 or 3) | None |
| | | BTSC <i>Ws, #bit4</i> | Bit Test <i>Ws</i> , Skip if Clear | 1 | 1 (2 or 3) | None |

TABLE 19-2: INSTRUCTION SET OVERVIEW (CONTINUED)

| Base Instr # | Assembly Mnemonic | Assembly Syntax | Description | # of words | # of cycles | Status Flags Affected |
|--------------|-------------------|--------------------------------|---|------------|---------------|-----------------------|
| 11 | BTSS | BTSS f, #bit4 | Bit Test f, Skip if Set | 1 | 1 (2 or 3) | None |
| | | BTSS Ws, #bit4 | Bit Test Ws, Skip if Set | 1 | 1 (2 or 3) | None |
| 12 | BTST | BTST f, #bit4 | Bit Test f | 1 | 1 | Z |
| | | BTST.C Ws, #bit4 | Bit Test Ws to C | 1 | 1 | C |
| | | BTST.Z Ws, #bit4 | Bit Test Ws to Z | 1 | 1 | Z |
| | | BTST.C Ws, Wb | Bit Test Ws<Wb> to C | 1 | 1 | C |
| | | BTST.Z Ws, Wb | Bit Test Ws<Wb> to Z | 1 | 1 | Z |
| 13 | BTSTS | BTSTS f, #bit4 | Bit Test then Set f | 1 | 1 | Z |
| | | BTSTS.C Ws, #bit4 | Bit Test Ws to C, then Set | 1 | 1 | C |
| | | BTSTS.Z Ws, #bit4 | Bit Test Ws to Z, then Set | 1 | 1 | Z |
| 14 | CALL | CALL lit23 | Call subroutine | 2 | 2 | None |
| | | CALL Wn | Call indirect subroutine | 1 | 2 | None |
| 15 | CLR | CLR f | f = 0x0000 | 1 | 1 | None |
| | | CLR WREG | WREG = 0x0000 | 1 | 1 | None |
| | | CLR Ws | Ws = 0x0000 | 1 | 1 | None |
| | | CLR Acc, Wx, Wxd, Wy, Wyd, AWB | Clear Accumulator | 1 | 1 | OA,OB,SA,SB |
| 16 | CLRWDT | CLRWDT | Clear Watchdog Timer | 1 | 1 | WDTO, Sleep |
| 17 | COM | COM f | f = \bar{f} | 1 | 1 | N,Z |
| | | COM f, WREG | WREG = \bar{f} | 1 | 1 | N,Z |
| | | COM Ws, Wd | Wd = \overline{Ws} | 1 | 1 | N,Z |
| 18 | CP | CP f | Compare f with WREG | 1 | 1 | C,DC,N,OV,Z |
| | | CP Wb, #lit5 | Compare Wb with lit5 | 1 | 1 | C,DC,N,OV,Z |
| | | CP Wb, Ws | Compare Wb with Ws (Wb - Ws) | 1 | 1 | C,DC,N,OV,Z |
| 19 | CP0 | CP0 f | Compare f with 0x0000 | 1 | 1 | C,DC,N,OV,Z |
| | | CP0 Ws | Compare Ws with 0x0000 | 1 | 1 | C,DC,N,OV,Z |
| 20 | CPB | CPB f | Compare f with WREG, with Borrow | 1 | 1 | C,DC,N,OV,Z |
| | | CPB Wb, #lit5 | Compare Wb with lit5, with Borrow | 1 | 1 | C,DC,N,OV,Z |
| | | CPB Wb, Ws | Compare Wb with Ws, with Borrow (Wb - Ws - C) | 1 | 1 | C,DC,N,OV,Z |
| 21 | CPSEQ | CPSEQ Wb, Wn | Compare Wb with Wn, skip if = | 1 | 1 (2 or 3) | None |
| 22 | CPSGT | CPSGT Wb, Wn | Compare Wb with Wn, skip if > | 1 | 1 (2 or 3) | None |
| 23 | CPSLT | CPSLT Wb, Wn | Compare Wb with Wn, skip if < | 1 | 1 (2 or 3) | None |
| 24 | CPSNE | CPSNE Wb, Wn | Compare Wb with Wn, skip if ≠ | 1 | 1 (2 or 3) | None |
| 25 | DAW | DAW Wn | Wn = decimal adjust Wn | 1 | 1 | C |
| 26 | DEC | DEC f | f = f - 1 | 1 | 1 | C,DC,N,OV,Z |
| | | DEC f, WREG | WREG = f - 1 | 1 | 1 | C,DC,N,OV,Z |
| | | DEC Ws, Wd | Wd = Ws - 1 | 1 | 1 | C,DC,N,OV,Z |
| 27 | DEC2 | DEC2 f | f = f - 2 | 1 | 1 | C,DC,N,OV,Z |
| | | DEC2 f, WREG | WREG = f - 2 | 1 | 1 | C,DC,N,OV,Z |
| | | DEC2 Ws, Wd | Wd = Ws - 2 | 1 | 1 | C,DC,N,OV,Z |
| 28 | DISI | DISI #lit14 | Disable Interrupts for k instruction cycles | 1 | 1 | None |
| 29 | DIV | DIV.S Wm, Wn | Signed 16/16-bit Integer Divide | 1 | 18 | N,Z,C, OV |
| | | DIV.SD Wm, Wn | Signed 32/16-bit Integer Divide | 1 | 18 | N,Z,C, OV |
| | | DIV.U Wm, Wn | Unsigned 16/16-bit Integer Divide | 1 | 18 | N,Z,C, OV |
| | | DIV.UD Wm, Wn | Unsigned 32/16-bit Integer Divide | 1 | 18 | N,Z,C, OV |
| 30 | DIVF | DIVF Wm, Wn | Signed 16/16-bit Fractional Divide | 1 | 18 | N,Z,C, OV |
| 31 | DO | #lit14, Expr | Do code to PC + Expr, lit14 + 1 times | 2 | 2 | None |
| | | Wn, Expr | Do code to PC + Expr, (Wn) + 1 times | 2 | 2 | None |
| 32 | ED | ED Wm * Wm, Acc, Wx, Wy, Wxd | Euclidean Distance (no accumulate) | 1 | 1 | OA,OB,OAB, SA,SB,SAB |
| 33 | EDAC | EDAC Wm * Wm, Acc, Wx, Wy, Wxd | Euclidean Distance | 1 | 1 | OA,OB,OAB, SA,SB,SAB |

dsPIC30F1010/202X

TABLE 19-2: INSTRUCTION SET OVERVIEW (CONTINUED)

| Base Instr # | Assembly Mnemonic | Assembly Syntax | Description | # of words | # of cycles | Status Flags Affected |
|---------------|--|--|--|------------|-------------|-----------------------|
| 34 | EXCH | EXCH Wns, Wnd | Swap Wns with Wnd | 1 | 1 | None |
| 35 | FBCL | FBCL Ws, Wnd | Find Bit Change from Left (MSb) Side | 1 | 1 | C |
| 36 | FF1L | FF1L Ws, Wnd | Find First One from Left (MSb) Side | 1 | 1 | C |
| 37 | FF1R | FF1R Ws, Wnd | Find First One from Right (LSb) Side | 1 | 1 | C |
| 38 | GOTO | GOTO Expr | Go to address | 2 | 2 | None |
| | | GOTO Wn | Go to indirect | 1 | 2 | None |
| 39 | INC | INC f | $f = f + 1$ | 1 | 1 | C,DC,N,OV,Z |
| | | INC f, WREG | $WREG = f + 1$ | 1 | 1 | C,DC,N,OV,Z |
| | | INC Ws, Wd | $Wd = Ws + 1$ | 1 | 1 | C,DC,N,OV,Z |
| 40 | INC2 | INC2 f | $f = f + 2$ | 1 | 1 | C,DC,N,OV,Z |
| | | INC2 f, WREG | $WREG = f + 2$ | 1 | 1 | C,DC,N,OV,Z |
| | | INC2 Ws, Wd | $Wd = Ws + 2$ | 1 | 1 | C,DC,N,OV,Z |
| 41 | IOR | IOR f | $f = f .IOR. WREG$ | 1 | 1 | N,Z |
| | | IOR f, WREG | $WREG = f .IOR. WREG$ | 1 | 1 | N,Z |
| | | IOR #lit10, Wn | $Wd = lit10 .IOR. Wd$ | 1 | 1 | N,Z |
| | | IOR Wb, Ws, Wd | $Wd = Wb .IOR. Ws$ | 1 | 1 | N,Z |
| | | IOR Wb, #lit5, Wd | $Wd = Wb .IOR. lit5$ | 1 | 1 | N,Z |
| 42 | LAC | LAC Wso, #Slit4, Acc | Load Accumulator | 1 | 1 | OA,OB,OAB,SA,SB,SAB |
| 43 | LNK | LNK #lit14 | Link frame pointer | 1 | 1 | None |
| 44 | LSR | LSR f | $f = \text{Logical Right Shift } f$ | 1 | 1 | C,N,OV,Z |
| | | LSR f, WREG | $WREG = \text{Logical Right Shift } f$ | 1 | 1 | C,N,OV,Z |
| | | LSR Ws, Wd | $Wd = \text{Logical Right Shift } Ws$ | 1 | 1 | C,N,OV,Z |
| | | LSR Wb, Wns, Wnd | $Wnd = \text{Logical Right Shift } Wb \text{ by } Wns$ | 1 | 1 | N,Z |
| | | LSR Wb, #lit5, Wnd | $Wnd = \text{Logical Right Shift } Wb \text{ by } lit5$ | 1 | 1 | N,Z |
| 45 | MAC | MAC Wm * Wn, Acc, Wx, Wxd, Wy, Wyd, AWB | Multiply and Accumulate | 1 | 1 | OA,OB,OAB,SA,SB,SAB |
| | | MAC Wm * Wm, Acc, Wx, Wxd, Wy, Wyd | Square and Accumulate | 1 | 1 | OA,OB,OAB,SA,SB,SAB |
| 46 | MOV | MOV f, Wn | Move f to Wn | 1 | 1 | None |
| | | MOV f | Move f to f | 1 | 1 | N,Z |
| | | MOV f, WREG | Move f to WREG | 1 | 1 | N,Z |
| | | MOV #lit16, Wn | Move 16-bit literal to Wn | 1 | 1 | None |
| | | MOV.b #lit8, Wn | Move 8-bit literal to Wn | 1 | 1 | None |
| | | MOV Wn, f | Move Wn to f | 1 | 1 | None |
| | | MOV Wso, Wdo | Move Ws to Wd | 1 | 1 | None |
| | | MOV WREG, f | Move WREG to f | 1 | 1 | N,Z |
| | | MOV.D Wns, Wd | Move Double from W(ns):W(ns + 1) to Wd | 1 | 2 | None |
| MOV.D Ws, Wnd | Move Double from Ws to W(nd + 1):W(nd) | 1 | 2 | None | | |
| 47 | MOVSAC | MOVSAC Acc, Wx, Wxd, Wy, Wyd, AWB | Prefetch and store accumulator | 1 | 1 | None |
| 48 | MPY | MPY Wm * Wn, Acc, Wx, Wxd, Wy, Wyd | Multiply Wm by Wn to Accumulator | 1 | 1 | OA,OB,OAB,SA,SB,SAB |
| | | MPY Wm * Wm, Acc, Wx, Wxd, Wy, Wyd | Square Wm to Accumulator | 1 | 1 | OA,OB,OAB,SA,SB,SAB |
| 49 | MPY.N | MPY.N Wm * Wn, Acc, Wx, Wxd, Wy, Wyd | -(Multiply Wm by Wn) to Accumulator | 1 | 1 | None |
| 50 | MSC | MSC Wm * Wm, Acc, Wx, Wxd, Wy, Wyd, AWB | Multiply and Subtract from Accumulator | 1 | 1 | OA,OB,OAB,SA,SB,SAB |
| 51 | MUL | MUL.SS Wb, Ws, Wnd | $\{Wnd + 1, Wnd\} = \text{signed}(Wb) * \text{signed}(Ws)$ | 1 | 1 | None |
| | | MUL.SU Wb, Ws, Wnd | $\{Wnd + 1, Wnd\} = \text{signed}(Wb) * \text{unsigned}(Ws)$ | 1 | 1 | None |
| | | MUL.US Wb, Ws, Wnd | $\{Wnd + 1, Wnd\} = \text{unsigned}(Wb) * \text{signed}(Ws)$ | 1 | 1 | None |
| | | MUL.UU Wb, Ws, Wnd | $\{Wnd + 1, Wnd\} = \text{unsigned}(Wb) * \text{unsigned}(Ws)$ | 1 | 1 | None |
| | | MUL.SU Wb, #lit5, Wnd | $\{Wnd + 1, Wnd\} = \text{signed}(Wb) * \text{unsigned}(lit5)$ | 1 | 1 | None |
| | | MUL.UU Wb, #lit5, Wnd | $\{Wnd + 1, Wnd\} = \text{unsigned}(Wb) * \text{unsigned}(lit5)$ | 1 | 1 | None |
| | | MUL f | $W3:W2 = f * WREG$ | 1 | 1 | None |

TABLE 19-2: INSTRUCTION SET OVERVIEW (CONTINUED)

| Base Instr # | Assembly Mnemonic | Assembly Syntax | Description | # of words | # of cycles | Status Flags Affected |
|--------------|-------------------|-------------------------------|---|------------|-------------|-----------------------|
| 52 | NEG | NEG <i>Acc</i> | Negate Accumulator | 1 | 1 | OA,OB,OAB,SA,SB,SAB |
| | | NEG <i>f</i> | $f = \bar{f} + 1$ | 1 | 1 | C,DC,N,OV,Z |
| | | NEG <i>f, WREG</i> | $WREG = \bar{f} + 1$ | 1 | 1 | C,DC,N,OV,Z |
| | | NEG <i>Ws, Wd</i> | $Wd = \bar{Ws} + 1$ | 1 | 1 | C,DC,N,OV,Z |
| 53 | NOP | NOP | No Operation | 1 | 1 | None |
| | | NOPR | No Operation | 1 | 1 | None |
| 54 | POP | POP <i>f</i> | Pop <i>f</i> from Top-of-Stack (TOS) | 1 | 1 | None |
| | | POP <i>Wdo</i> | Pop from Top-of-Stack (TOS) to <i>Wdo</i> | 1 | 1 | None |
| | | POP.D <i>Wnd</i> | Pop from Top-of-Stack (TOS) to <i>W(nd):W(nd + 1)</i> | 1 | 2 | None |
| | | POP.S | Pop Shadow Registers | 1 | 1 | All |
| 55 | PUSH | PUSH <i>f</i> | Push <i>f</i> to Top-of-Stack (TOS) | 1 | 1 | None |
| | | PUSH <i>Wso</i> | Push <i>Wso</i> to Top-of-Stack (TOS) | 1 | 1 | None |
| | | PUSH.D <i>Wns</i> | Push <i>W(ns):W(ns + 1)</i> to Top-of-Stack (TOS) | 1 | 2 | None |
| | | PUSH.S | Push Shadow Registers | 1 | 1 | None |
| 56 | PWRSVAV | PWRSVAV <i>#lit1</i> | Go into Sleep or Idle mode | 1 | 1 | WDTO,Sleep |
| 57 | RCALL | RCALL <i>Expr</i> | Relative Call | 1 | 2 | None |
| | | RCALL <i>Wn</i> | Computed Call | 1 | 2 | None |
| 58 | REPEAT | REPEAT <i>#lit14</i> | Repeat Next Instruction <i>lit14 + 1</i> times | 1 | 1 | None |
| | | REPEAT <i>Wn</i> | Repeat Next Instruction (<i>Wn</i>) + 1 times | 1 | 1 | None |
| 59 | RESET | RESET | Software device Reset | 1 | 1 | None |
| 60 | RETFIE | RETFIE | Return from interrupt | 1 | 3 (2) | None |
| 61 | RETLW | RETLW <i>#lit10, Wn</i> | Return with literal in <i>Wn</i> | 1 | 3 (2) | None |
| 62 | RETURN | RETURN | Return from Subroutine | 1 | 3 (2) | None |
| 63 | RLC | RLC <i>f</i> | <i>f</i> = Rotate Left through Carry <i>f</i> | 1 | 1 | C,N,Z |
| | | RLC <i>f, WREG</i> | $WREG = \text{Rotate Left through Carry } f$ | 1 | 1 | C,N,Z |
| | | RLC <i>Ws, Wd</i> | $Wd = \text{Rotate Left through Carry } Ws$ | 1 | 1 | C,N,Z |
| 64 | RLNC | RLNC <i>f</i> | <i>f</i> = Rotate Left (No Carry) <i>f</i> | 1 | 1 | N,Z |
| | | RLNC <i>f, WREG</i> | $WREG = \text{Rotate Left (No Carry) } f$ | 1 | 1 | N,Z |
| | | RLNC <i>Ws, Wd</i> | $Wd = \text{Rotate Left (No Carry) } Ws$ | 1 | 1 | N,Z |
| 65 | RRC | RRC <i>f</i> | <i>f</i> = Rotate Right through Carry <i>f</i> | 1 | 1 | C,N,Z |
| | | RRC <i>f, WREG</i> | $WREG = \text{Rotate Right through Carry } f$ | 1 | 1 | C,N,Z |
| | | RRC <i>Ws, Wd</i> | $Wd = \text{Rotate Right through Carry } Ws$ | 1 | 1 | C,N,Z |
| 66 | RRNC | RRNC <i>f</i> | <i>f</i> = Rotate Right (No Carry) <i>f</i> | 1 | 1 | N,Z |
| | | RRNC <i>f, WREG</i> | $WREG = \text{Rotate Right (No Carry) } f$ | 1 | 1 | N,Z |
| | | RRNC <i>Ws, Wd</i> | $Wd = \text{Rotate Right (No Carry) } Ws$ | 1 | 1 | N,Z |
| 67 | SAC | SAC <i>Acc, #Slit4, Wdo</i> | Store Accumulator | 1 | 1 | None |
| | | SAC.R <i>Acc, #Slit4, Wdo</i> | Store Rounded Accumulator | 1 | 1 | None |
| 68 | SE | SE <i>Ws, Wnd</i> | $Wnd = \text{sign extended } Ws$ | 1 | 1 | C,N,Z |
| 69 | SETM | SETM <i>f</i> | $f = 0xFFFF$ | 1 | 1 | None |
| | | SETM <i>WREG</i> | $WREG = 0xFFFF$ | 1 | 1 | None |
| | | SETM <i>Ws</i> | $Ws = 0xFFFF$ | 1 | 1 | None |
| 70 | SFTAC | SFTAC <i>Acc, Wn</i> | Arithmetic Shift Accumulator by (<i>Wn</i>) | 1 | 1 | OA,OB,OAB,SA,SB,SAB |
| | | SFTAC <i>Acc, #Slit6</i> | Arithmetic Shift Accumulator by <i>Slit6</i> | 1 | 1 | OA,OB,OAB,SA,SB,SAB |
| 71 | SL | SL <i>f</i> | <i>f</i> = Left Shift <i>f</i> | 1 | 1 | C,N,OV,Z |
| | | SL <i>f, WREG</i> | $WREG = \text{Left Shift } f$ | 1 | 1 | C,N,OV,Z |
| | | SL <i>Ws, Wd</i> | $Wd = \text{Left Shift } Ws$ | 1 | 1 | C,N,OV,Z |
| | | SL <i>Wb, Wns, Wnd</i> | $Wnd = \text{Left Shift } Wb \text{ by } Wns$ | 1 | 1 | N,Z |
| | | SL <i>Wb, #lit5, Wnd</i> | $Wnd = \text{Left Shift } Wb \text{ by } lit5$ | 1 | 1 | N,Z |

dsPIC30F1010/202X

TABLE 19-2: INSTRUCTION SET OVERVIEW (CONTINUED)

| Base Instr # | Assembly Mnemonic | Assembly Syntax | Description | # of words | # of cycles | Status Flags Affected |
|--------------|-------------------|----------------------------|--|------------|-------------|-----------------------|
| 72 | SUB | SUB <i>Acc</i> | Subtract Accumulators | 1 | 1 | OA,OB,OAB,SA,SB,SAB |
| | | SUB <i>f</i> | $f = f - \text{WREG}$ | 1 | 1 | C,DC,N,OV,Z |
| | | SUB <i>f, WREG</i> | $\text{WREG} = f - \text{WREG}$ | 1 | 1 | C,DC,N,OV,Z |
| | | SUB <i>#lit10, Wn</i> | $Wn = Wn - \text{lit}10$ | 1 | 1 | C,DC,N,OV,Z |
| | | SUB <i>Wb, Ws, Wd</i> | $Wd = Wb - Ws$ | 1 | 1 | C,DC,N,OV,Z |
| | | SUB <i>Wb, #lit5, Wd</i> | $Wd = Wb - \text{lit}5$ | 1 | 1 | C,DC,N,OV,Z |
| 73 | SUBB | SUBB <i>f</i> | $f = f - \text{WREG} - (\overline{C})$ | 1 | 1 | C,DC,N,OV,Z |
| | | SUBB <i>f, WREG</i> | $\text{WREG} = f - \text{WREG} - (\overline{C})$ | 1 | 1 | C,DC,N,OV,Z |
| | | SUBB <i>#lit10, Wn</i> | $Wn = Wn - \text{lit}10 - (\overline{C})$ | 1 | 1 | C,DC,N,OV,Z |
| | | SUBB <i>Wb, Ws, Wd</i> | $Wd = Wb - Ws - (\overline{C})$ | 1 | 1 | C,DC,N,OV,Z |
| | | SUBB <i>Wb, #lit5, Wd</i> | $Wd = Wb - \text{lit}5 - (\overline{C})$ | 1 | 1 | C,DC,N,OV,Z |
| 74 | SUBR | SUBR <i>f</i> | $f = \text{WREG} - f$ | 1 | 1 | C,DC,N,OV,Z |
| | | SUBR <i>f, WREG</i> | $\text{WREG} = \text{WREG} - f$ | 1 | 1 | C,DC,N,OV,Z |
| | | SUBR <i>Wb, Ws, Wd</i> | $Wd = Ws - Wb$ | 1 | 1 | C,DC,N,OV,Z |
| | | SUBR <i>Wb, #lit5, Wd</i> | $Wd = \text{lit}5 - Wb$ | 1 | 1 | C,DC,N,OV,Z |
| 75 | SUBBR | SUBBR <i>f</i> | $f = \text{WREG} - f - (\overline{C})$ | 1 | 1 | C,DC,N,OV,Z |
| | | SUBBR <i>f, WREG</i> | $\text{WREG} = \text{WREG} - f - (\overline{C})$ | 1 | 1 | C,DC,N,OV,Z |
| | | SUBBR <i>Wb, Ws, Wd</i> | $Wd = Ws - Wb - (\overline{C})$ | 1 | 1 | C,DC,N,OV,Z |
| | | SUBBR <i>Wb, #lit5, Wd</i> | $Wd = \text{lit}5 - Wb - (\overline{C})$ | 1 | 1 | C,DC,N,OV,Z |
| 76 | SWAP | SWAP.b <i>Wn</i> | $Wn = \text{nibble swap } Wn$ | 1 | 1 | None |
| | | SWAP <i>Wn</i> | $Wn = \text{byte swap } Wn$ | 1 | 1 | None |
| 77 | TBLRDH | TBLRDH <i>Ws, Wd</i> | Read Prog<23:16> to Wd<7:0> | 1 | 2 | None |
| 78 | TBLRDL | TBLRDL <i>Ws, Wd</i> | Read Prog<15:0> to Wd | 1 | 2 | None |
| 79 | TBLWTH | TBLWTH <i>Ws, Wd</i> | Write Ws<7:0> to Prog<23:16> | 1 | 2 | None |
| 80 | TBLWTL | TBLWTL <i>Ws, Wd</i> | Write Ws to Prog<15:0> | 1 | 2 | None |
| 81 | ULNK | ULNK | Unlink frame pointer | 1 | 1 | None |
| 82 | XOR | XOR <i>f</i> | $f = f .\text{XOR. WREG}$ | 1 | 1 | N,Z |
| | | XOR <i>f, WREG</i> | $\text{WREG} = f .\text{XOR. WREG}$ | 1 | 1 | N,Z |
| | | XOR <i>#lit10, Wn</i> | $Wd = \text{lit}10 .\text{XOR. Wd}$ | 1 | 1 | N,Z |
| | | XOR <i>Wb, Ws, Wd</i> | $Wd = Wb .\text{XOR. Ws}$ | 1 | 1 | N,Z |
| | | XOR <i>Wb, #lit5, Wd</i> | $Wd = Wb .\text{XOR. lit}5$ | 1 | 1 | N,Z |
| 83 | ZE | ZE <i>Ws, Wnd</i> | $Wnd = \text{Zero-Extend } Ws$ | 1 | 1 | C,Z,N |

20.0 DEVELOPMENT SUPPORT

The PIC[®] microcontrollers (MCU) and dsPIC[®] digital signal controllers (DSC) are supported with a full range of software and hardware development tools:

- Integrated Development Environment
 - MPLAB[®] X IDE Software
- Compilers/Assemblers/Linkers
 - MPLAB XC Compiler
 - MPASM[™] Assembler
 - MPLINK[™] Object Linker/
MPLIB[™] Object Librarian
 - MPLAB Assembler/Linker/Librarian for
Various Device Families
- Simulators
 - MPLAB X SIM Software Simulator
- Emulators
 - MPLAB REAL ICE[™] In-Circuit Emulator
- In-Circuit Debuggers/Programmers
 - MPLAB ICD 3
 - PICKit[™] 3
- Device Programmers
 - MPLAB PM3 Device Programmer
- Low-Cost Demonstration/Development Boards,
Evaluation Kits and Starter Kits
- Third-party development tools

20.1 MPLAB X Integrated Development Environment Software

The MPLAB X IDE is a single, unified graphical user interface for Microchip and third-party software, and hardware development tool that runs on Windows[®], Linux and Mac OS[®] X. Based on the NetBeans IDE, MPLAB X IDE is an entirely new IDE with a host of free software components and plug-ins for high-performance application development and debugging. Moving between tools and upgrading from software simulators to hardware debugging and programming tools is simple with the seamless user interface.

With complete project management, visual call graphs, a configurable watch window and a feature-rich editor that includes code completion and context menus, MPLAB X IDE is flexible and friendly enough for new users. With the ability to support multiple tools on multiple projects with simultaneous debugging, MPLAB X IDE is also suitable for the needs of experienced users.

Feature-Rich Editor:

- Color syntax highlighting
- Smart code completion makes suggestions and provides hints as you type
- Automatic code formatting based on user-defined rules
- Live parsing

User-Friendly, Customizable Interface:

- Fully customizable interface: toolbars, toolbar buttons, windows, window placement, etc.
- Call graph window

Project-Based Workspaces:

- Multiple projects
- Multiple tools
- Multiple configurations
- Simultaneous debugging sessions

File History and Bug Tracking:

- Local file history feature
- Built-in support for Bugzilla issue tracker

20.2 MPLAB XC Compilers

The MPLAB XC Compilers are complete ANSI C compilers for all of Microchip's 8, 16 and 32-bit MCU and DSC devices. These compilers provide powerful integration capabilities, superior code optimization and ease of use. MPLAB XC Compilers run on Windows, Linux or MAC OS X.

For easy source level debugging, the compilers provide debug information that is optimized to the MPLAB X IDE.

The free MPLAB XC Compiler editions support all devices and commands, with no time or memory restrictions, and offer sufficient code optimization for most applications.

MPLAB XC Compilers include an assembler, linker and utilities. The assembler generates relocatable object files that can then be archived or linked with other relocatable object files and archives to create an executable file. MPLAB XC Compiler uses the assembler to produce its object file. Notable features of the assembler include:

- Support for the entire device instruction set
- Support for fixed-point and floating-point data
- Command-line interface
- Rich directive set
- Flexible macro language
- MPLAB X IDE compatibility

20.3 MPASM Assembler

The MPASM Assembler is a full-featured, universal macro assembler for PIC10/12/16/18 MCUs.

The MPASM Assembler generates relocatable object files for the MPLINK Object Linker, Intel® standard HEX files, MAP files to detail memory usage and symbol reference, absolute LST files that contain source lines and generated machine code, and COFF files for debugging.

The MPASM Assembler features include:

- Integration into MPLAB X IDE projects
- User-defined macros to streamline assembly code
- Conditional assembly for multipurpose source files
- Directives that allow complete control over the assembly process

20.4 MPLINK Object Linker/ MPLIB Object Librarian

The MPLINK Object Linker combines relocatable objects created by the MPASM Assembler. It can link relocatable objects from precompiled libraries, using directives from a linker script.

The MPLIB Object Librarian manages the creation and modification of library files of precompiled code. When a routine from a library is called from a source file, only the modules that contain that routine will be linked in with the application. This allows large libraries to be used efficiently in many different applications.

The object linker/library features include:

- Efficient linking of single libraries instead of many smaller files
- Enhanced code maintainability by grouping related modules together
- Flexible creation of libraries with easy module listing, replacement, deletion and extraction

20.5 MPLAB Assembler, Linker and Librarian for Various Device Families

MPLAB Assembler produces relocatable machine code from symbolic assembly language for PIC24, PIC32 and dsPIC DSC devices. MPLAB XC Compiler uses the assembler to produce its object file. The assembler generates relocatable object files that can then be archived or linked with other relocatable object files and archives to create an executable file. Notable features of the assembler include:

- Support for the entire device instruction set
- Support for fixed-point and floating-point data
- Command-line interface
- Rich directive set
- Flexible macro language
- MPLAB X IDE compatibility

20.6 MPLAB X SIM Software Simulator

The MPLAB X SIM Software Simulator allows code development in a PC-hosted environment by simulating the PIC MCUs and dsPIC DSCs on an instruction level. On any given instruction, the data areas can be examined or modified and stimuli can be applied from a comprehensive stimulus controller. Registers can be logged to files for further run-time analysis. The trace buffer and logic analyzer display extend the power of the simulator to record and track program execution, actions on I/O, most peripherals and internal registers.

The MPLAB X SIM Software Simulator fully supports symbolic debugging using the MPLAB XC Compilers, and the MPASM and MPLAB Assemblers. The software simulator offers the flexibility to develop and debug code outside of the hardware laboratory environment, making it an excellent, economical software development tool.

20.7 MPLAB REAL ICE In-Circuit Emulator System

The MPLAB REAL ICE In-Circuit Emulator System is Microchip's next generation high-speed emulator for Microchip Flash DSC and MCU devices. It debugs and programs all 8, 16 and 32-bit MCU, and DSC devices with the easy-to-use, powerful graphical user interface of the MPLAB X IDE.

The emulator is connected to the design engineer's PC using a high-speed USB 2.0 interface and is connected to the target with either a connector compatible with in-circuit debugger systems (RJ-11) or with the new high-speed, noise tolerant, Low-Voltage Differential Signal (LVDS) interconnection (CAT5).

The emulator is field upgradable through future firmware downloads in MPLAB X IDE. MPLAB REAL ICE offers significant advantages over competitive emulators including full-speed emulation, run-time variable watches, trace analysis, complex breakpoints, logic probes, a ruggedized probe interface and long (up to three meters) interconnection cables.

20.8 MPLAB ICD 3 In-Circuit Debugger System

The MPLAB ICD 3 In-Circuit Debugger System is Microchip's most cost-effective, high-speed hardware debugger/programmer for Microchip Flash DSC and MCU devices. It debugs and programs PIC Flash microcontrollers and dsPIC DSCs with the powerful, yet easy-to-use graphical user interface of the MPLAB IDE.

The MPLAB ICD 3 In-Circuit Debugger probe is connected to the design engineer's PC using a high-speed USB 2.0 interface and is connected to the target with a connector compatible with the MPLAB ICD 2 or MPLAB REAL ICE systems (RJ-11). MPLAB ICD 3 supports all MPLAB ICD 2 headers.

20.9 PICkit 3 In-Circuit Debugger/Programmer

The MPLAB PICkit 3 allows debugging and programming of PIC and dsPIC Flash microcontrollers at a most affordable price point using the powerful graphical user interface of the MPLAB IDE. The MPLAB PICkit 3 is connected to the design engineer's PC using a full-speed USB interface and can be connected to the target via a Microchip debug (RJ-11) connector (compatible with MPLAB ICD 3 and MPLAB REAL ICE). The connector uses two device I/O pins and the Reset line to implement in-circuit debugging and In-Circuit Serial Programming™ (ICSP™).

20.10 MPLAB PM3 Device Programmer

The MPLAB PM3 Device Programmer is a universal, CE compliant device programmer with programmable voltage verification at VDDMIN and VDDMAX for maximum reliability. It features a large LCD display (128 x 64) for menus and error messages, and a modular, detachable socket assembly to support various package types. The ICSP cable assembly is included as a standard item. In Stand-Alone mode, the MPLAB PM3 Device Programmer can read, verify and program PIC devices without a PC connection. It can also set code protection in this mode. The MPLAB PM3 connects to the host PC via an RS-232 or USB cable. The MPLAB PM3 has high-speed communications and optimized algorithms for quick programming of large memory devices, and incorporates an MMC card for file storage and data applications.

20.11 Demonstration/Development Boards, Evaluation Kits and Starter Kits

A wide variety of demonstration, development and evaluation boards for various PIC MCUs and dsPIC DSCs allows quick application development on fully functional systems. Most boards include prototyping areas for adding custom circuitry and provide application firmware and source code for examination and modification.

The boards support a variety of features, including LEDs, temperature sensors, switches, speakers, RS-232 interfaces, LCD displays, potentiometers and additional EEPROM memory.

The demonstration and development boards can be used in teaching environments, for prototyping custom circuits and for learning about various microcontroller applications.

In addition to the PICDEM™ and dsPICDEM™ demonstration/development board series of circuits, Microchip has a line of evaluation kits and demonstration software for analog filter design, KEELOQ® security ICs, CAN, IrDA®, PowerSmart battery management, SEEVAL® evaluation system, Sigma-Delta ADC, flow rate sensing, plus many more.

Also available are starter kits that contain everything needed to experience the specified device. This usually includes a single application and debug capability, all on one board.

Check the Microchip web page (www.microchip.com) for the complete list of demonstration, development and evaluation kits.

20.12 Third-Party Development Tools

Microchip also offers a great collection of tools from third-party vendors. These tools are carefully selected to offer good value and unique functionality.

- Device Programmers and Gang Programmers from companies, such as SoftLog and CCS
- Software Tools from companies, such as Gimpel and Trace Systems
- Protocol Analyzers from companies, such as Saleae and Total Phase
- Demonstration Boards from companies, such as MikroElektronika, Digilent® and Olimex
- Embedded Ethernet Solutions from companies, such as EZ Web Lynx, WIZnet and IPLogika®

21.0 ELECTRICAL CHARACTERISTICS

This section provides an overview of dsPIC30F electrical characteristics. Additional information will be provided in future revisions of this document as it becomes available.

For detailed information about the dsPIC30F architecture and core, refer to “dsPIC30F Family Reference Manual” (DS70046).

Absolute maximum ratings for the device family are listed below. Exposure to these maximum rating conditions for extended periods may affect device reliability. Functional operation of the device at these or any other conditions above the parameters indicated in the operation listings of this specification is not implied.

Absolute Maximum Ratings^(†)

| | |
|--|-----------------------------------|
| Ambient temperature under bias | -40°C to +125°C |
| Storage temperature | -65°C to +150°C |
| Voltage on any pin with respect to V _{SS} (except V _{DD} and $\overline{\text{MCLR}}$) ⁽¹⁾ | -0.3V to (V _{DD} + 0.3V) |
| Voltage on V _{DD} with respect to V _{SS} | -0.3V to +5.5V |
| Voltage on $\overline{\text{MCLR}}$ with respect to V _{SS} ⁽¹⁾ | -0.3V to (V _{DD} + 0.3V) |
| Maximum current out of V _{SS} pin | 300 mA |
| Maximum current into V _{DD} pin ⁽²⁾ | 300 mA |
| Input clamp current, I _{IK} (V _I < 0 or V _I > V _{DD}) | ±20 mA |
| Output clamp current, I _{OK} (V _O < 0 or V _O > V _{DD}) | ±20 mA |
| Maximum output current sunk by any I/O pin | 25 mA |
| Maximum output current sourced by any I/O pin | 25 mA |
| Maximum current sunk by all ports | 200 mA |
| Maximum current sourced by all ports ⁽²⁾ | 200 mA |

Note 1: Voltage spikes below V_{SS} at the $\overline{\text{MCLR}}$ /V_{PP} pin, inducing currents greater than 80 mA, may cause latch-up. Thus, a series resistor of 50-100Ω should be used when applying a “low” level to the $\overline{\text{MCLR}}$ /V_{PP} pin, rather than pulling this pin directly to V_{SS}.

2: Maximum allowable current is a function of device maximum power dissipation. See Table 21-2.

[†]NOTICE: Stresses above those listed under “Absolute Maximum Ratings” may cause permanent damage to the device. This is a stress rating only and functional operation of the device at those or any other conditions above those indicated in the operation listings of this specification is not implied. Exposure to maximum rating conditions for extended periods may affect device reliability.

21.1 DC Characteristics

TABLE 21-1: OPERATING MIPS VS. VOLTAGE

| V _{DD} Range | Temp Range | Max MIPS | |
|-----------------------|-----------------|-----------------|-----------------|
| | | dsPIC30FXXX-30I | dsPIC30FXXX-20E |
| 4.5-5.5V | -40°C to +85°C | 30 | — |
| 4.5-5.5V | -40°C to +125°C | — | 20 |
| 3.0-3.6V | -40°C to +85°C | 20 | — |
| 3.0-3.6V | -40°C to +125°C | — | 15 |

dsPIC30F1010/202X

TABLE 21-2: THERMAL OPERATING CONDITIONS

| Rating | Symbol | Min | Typ | Max | Unit |
|--|--------|-----------------------------|-----|------|------|
| dsPIC30F1010/202X-30I | | | | | |
| Operating Junction Temperature Range | TJ | -40 | — | +125 | °C |
| Operating Ambient Temperature Range | TA | -40 | — | +85 | °C |
| dsPIC30F1010/202X-20E | | | | | |
| Operating Junction Temperature Range | TJ | -40 | — | +150 | °C |
| Operating Ambient Temperature Range | TA | -40 | — | +125 | °C |
| Power Dissipation: Internal Chip Power Dissipation: $P_{INT} = V_{DD} \times (I_{DD} - \sum I_{OH})$ I/O Pin Power Dissipation: $P_{I/O} = \sum (\{V_{DD} - V_{OH}\} \times I_{OH}) + \sum (V_{OL} \times I_{OL})$ | PD | PINT + PI/O | | | W |
| Maximum Allowed Power Dissipation | PDMAX | $(T_J - T_A) / \theta_{JA}$ | | | W |

TABLE 21-3: THERMAL PACKAGING CHARACTERISTICS

| Characteristic | Symbol | Typ | Max | Unit | Notes |
|---|---------------|------|-----|------|-------|
| Package Thermal Resistance, 28-pin SOIC (SO) | θ_{JA} | 48.3 | — | °C/W | 1, 2 |
| Package Thermal Resistance, 28-pin QFN | θ_{JA} | 33.7 | — | °C/W | 1, 2 |
| Package Thermal Resistance, 28-pin SPDIP (SP) | θ_{JA} | 42 | — | °C/W | 1, 2 |
| Package Thermal Resistance, 44-pin QFN | θ_{JA} | 28 | — | °C/W | 1, 2 |
| Package Thermal Resistance, 44-pin TQFP | θ_{JA} | 39.3 | — | °C/W | 1, 2 |

- Note 1:** Junction to ambient thermal resistance, Theta-ja (θ_{JA}) numbers are achieved by package simulations.
Note 2: Depending on operating conditions, air flow may be required for improved thermal performance.

TABLE 21-4: DC TEMPERATURE AND VOLTAGE SPECIFICATIONS

| DC CHARACTERISTICS | | Standard Operating Conditions: 3.3V and 5.0V (±10%) (unless otherwise stated) Operating temperature $-40^{\circ}\text{C} \leq T_A \leq +85^{\circ}\text{C}$ for Industrial $-40^{\circ}\text{C} \leq T_A \leq +125^{\circ}\text{C}$ for Extended | | | | | |
|--|--------|---|------|--------------------|-----|-------|-------------------------------------|
| Param No. | Symbol | Characteristic | Min | Typ ⁽¹⁾ | Max | Units | Conditions |
| Operating Voltage⁽²⁾ | | | | | | | |
| DC10 | VDD | Supply Voltage | 3.0 | — | 5.5 | V | Industrial temperature |
| DC11 | VDD | Supply Voltage | 3.0 | — | 5.5 | V | Extended temperature |
| DC12 | VDR | RAM Data Retention Voltage ⁽³⁾ | — | 1.5 | — | V | |
| DC16 | VPOR | VDD Start Voltage to Ensure Internal Power-on Reset signal | — | VSS | — | V | |
| DC17 | SVDD | VDD Rise Rate to Ensure Internal Power-on Reset signal | 0.05 | — | — | V/ms | 0-5V in 0.1 sec, 0-3.3V in 60 ms |

- Note 1:** Data in “Typ” column is at 5V, +25°C unless otherwise stated. Parameters are for design guidance only and are not tested.
Note 2: These parameters are characterized but not tested in manufacturing.
Note 3: This is the limit to which VDD can be lowered without losing RAM data.

TABLE 21-5: DC CHARACTERISTICS: OPERATING CURRENT (IDD)

| DC CHARACTERISTICS | | | Standard Operating Conditions: 3.3V and 5.0V (±10%) (unless otherwise stated) Operating temperature -40°C ≤ TA ≤ +85°C for Industrial -40°C ≤ TA ≤ +125°C for Extended | | |
|--|------------------------|-----|---|------------|-------------------------------------|
| Parameter No. | Typical ⁽¹⁾ | Max | Units | Conditions | |
| Operating Current (IDD)⁽²⁾ | | | | | |
| DC20a | 13 | 16 | mA | +25°C | 3.3V FRC 3.2 MIPS, PLL disabled |
| DC20b | 14 | 16 | mA | +85°C | |
| DC20c | 14 | 17 | mA | +125°C | |
| DC20d | 22 | 26 | mA | +25°C | |
| DC20e | 22 | 26 | mA | +85°C | |
| DC20f | 22 | 27 | mA | +125°C | |
| DC22a | 19 | 22 | mA | +25°C | 5V FRC, 4.9 MIPS, PLL disabled |
| DC22b | 19 | 23 | mA | +85°C | |
| DC22c | 19 | 23 | mA | +125°C | |
| DC22d | 30 | 36 | mA | +25°C | |
| DC22e | 30 | 37 | mA | +85°C | |
| DC22f | 31 | 37 | mA | +125°C | |
| DC23a | 27 | 33 | mA | +25°C | 3.3V FRC, 7.3 MIPS, PLL disabled |
| DC23b | 28 | 33 | mA | +85°C | |
| DC23c | 28 | 34 | mA | +125°C | |
| DC23d | 44 | 53 | mA | +25°C | |
| DC23e | 45 | 53 | mA | +85°C | |
| DC23f | 45 | 54 | mA | +125°C | |
| DC24a | 66 | 79 | mA | +25°C | 5V FRC 13 MIPS, PLL enabled |
| DC24b | 67 | 80 | mA | +85°C | |
| DC24c | 68 | 81 | mA | +125°C | |
| DC24d | 108 | 129 | mA | +25°C | |
| DC24e | 109 | 130 | mA | +85°C | |
| DC24f | 110 | 131 | mA | +125°C | |
| DC26a | 98 | 118 | mA | +25°C | 3.3V FRC 20 MIPS, PLL enabled |
| DC26b | 99 | 118 | mA | +85°C | |
| DC26d | 159 | 191 | mA | +25°C | |
| DC26e | 160 | 192 | mA | +85°C | |
| DC26f | 161 | 193 | mA | +125°C | |
| DC27d | 222 | 267 | mA | +25°C | |
| DC27e | 223 | 267 | mA | +85°C | 5V FRC, 30 MIPS, PLL enabled |

Note 1: Data in "Typical" column is at 5V, +25°C unless otherwise stated. Parameters are for design guidance only and are not tested.

- 2:** The supply current is mainly a function of the operating voltage and frequency. Other factors such as I/O pin loading and switching rate, oscillator type, internal code execution pattern and temperature also have an impact on the current consumption. The test conditions for all IDD measurements are as follows:
- All I/O pins are configured as Outputs and pulled to VSS.
 - MCLR = VDD, WDT and FSCM are disabled.
 - CPU, SRAM, Program Memory and Data Memory are operational.
 - No peripheral modules are operating.

dsPIC30F1010/202X

TABLE 21-5: DC CHARACTERISTICS: OPERATING CURRENT (IDD) (CONTINUED)

| DC CHARACTERISTICS | | | Standard Operating Conditions: 3.3V and 5.0V (±10%) (unless otherwise stated) Operating temperature -40°C ≤ TA ≤ +85°C for Industrial -40°C ≤ TA ≤ +125°C for Extended | | |
|--|------------------------|-----|---|------------|--|
| Parameter No. | Typical ⁽¹⁾ | Max | Units | Conditions | |
| Operating Current (IDD)⁽²⁾ | | | | | |
| DC28a | 96 | 116 | mA | +25°C | 3.3V 5V 5V EC, 20 MIPS, PLL enabled |
| DC28b | 97 | 116 | mA | +85°C | |
| DC28d | 157 | 188 | mA | +25°C | |
| DC28e | 158 | 189 | mA | +85°C | |
| DE28f | 159 | 191 | mA | +125°C | |
| DC29d | 227 | 273 | mA | +25°C | |
| DC29e | 228 | 273 | mA | +85°C | 5V EC, 30 MIPS, PLL enabled |

Note 1: Data in “Typical” column is at 5V, +25°C unless otherwise stated. Parameters are for design guidance only and are not tested.

- 2:** The supply current is mainly a function of the operating voltage and frequency. Other factors such as I/O pin loading and switching rate, oscillator type, internal code execution pattern and temperature also have an impact on the current consumption. The test conditions for all IDD measurements are as follows:
- All I/O pins are configured as Outputs and pulled to Vss.
 - MCLR = VDD, WDT and FSCM are disabled.
 - CPU, SRAM, Program Memory and Data Memory are operational.
 - No peripheral modules are operating.

TABLE 21-6: DC CHARACTERISTICS: IDLE CURRENT (I_{IDLE})

| DC CHARACTERISTICS | | | Standard Operating Conditions: 3.3V and 5.0V (±10%) (unless otherwise stated) Operating temperature -40°C ≤ T _A ≤ +85°C for Industrial -40°C ≤ T _A ≤ +125°C for Extended | |
|--|------------------------|-----|---|------------|
| Parameter No. | Typical ⁽¹⁾ | Max | Units | Conditions |
| Idle Current (I_{IDLE}): Core Off Clock On Base Current⁽²⁾ | | | | |
| DC40a | 8 | 9 | mA | +25°C |
| DC40b | 8 | 9 | mA | +85°C |
| DC40c | 8 | 10 | mA | +125°C |
| DC40d | 12 | 15 | mA | +25°C |
| DC40e | 13 | 15 | mA | +85°C |
| DC40f | 13 | 16 | mA | +125°C |
| 3.3V, FRC, 3.2 MIPS, PLL disabled | | | | |
| DC42a | 10 | 12 | mA | +25°C |
| DC42b | 11 | 13 | mA | +85°C |
| DC42c | 11 | 13 | mA | +125°C |
| DC42d | 17 | 20 | mA | +25°C |
| DC42e | 17 | 21 | mA | +85°C |
| DC42f | 18 | 21 | mA | +125°C |
| 5V, FRC, 4.9 MIPS, PLL disabled | | | | |
| DC43a | 15 | 18 | mA | +25°C |
| DC43b | 15 | 18 | mA | +85°C |
| DC43c | 15 | 18 | mA | +125°C |
| DC43d | 24 | 29 | mA | +25°C |
| DC43e | 24 | 29 | mA | +85°C |
| DC43f | 25 | 30 | mA | +125°C |
| 3.3V, FRC, 7.3 MIPS, PLL disabled | | | | |
| DC44a | 44 | 53 | mA | +25°C |
| DC44b | 45 | 54 | mA | +85°C |
| DC44c | 46 | 55 | mA | +125°C |
| DC44d | 72 | 87 | mA | +25°C |
| DC44e | 73 | 88 | mA | +85°C |
| DC44f | 74 | 89 | mA | +125°C |
| 5V, FRC, 13 MIPS, PLL enabled | | | | |
| DC46a | 66 | 79 | mA | +25°C |
| DC46b | 67 | 80 | mA | +85°C |
| DC46d | 108 | 129 | mA | +25°C |
| DC46e | 109 | 131 | mA | +85°C |
| DC45f | 110 | 132 | mA | +125°C |
| 3.3V, FRC 20 MIPS, PLL enabled | | | | |
| DC47d | 152 | 182 | mA | +25°C |
| DC47e | 153 | 183 | mA | +85°C |
| 5V, FRC, 30 MIPS, PLL enabled | | | | |

Note 1: Data in “Typical” column is at 5V, +25°C unless otherwise stated. Parameters are for design guidance only and are not tested.

2: Base I_{IDLE} current is measured with core off, clock on and all modules turned off. All I/Os are configured as inputs and pulled high. WDT, etc. are all switched off.

dsPIC30F1010/202X

TABLE 21-6: DC CHARACTERISTICS: IDLE CURRENT (I_{IDLE}) (CONTINUED)

| DC CHARACTERISTICS | | | Standard Operating Conditions: 3.3V and 5.0V (±10%) (unless otherwise stated) Operating temperature -40°C ≤ T _A ≤ +85°C for Industrial -40°C ≤ T _A ≤ +125°C for Extended | |
|--|------------------------|-----|---|------------|
| Parameter No. | Typical ⁽¹⁾ | Max | Units | Conditions |
| Idle Current (I_{IDLE}): Core Off Clock On Base Current⁽²⁾ | | | | |
| DC48a | 65 | 78 | mA | +25°C |
| DC48b | 66 | 79 | mA | +85°C |
| DC48d | 105 | 127 | mA | +25°C |
| DC48e | 107 | 128 | mA | +85°C |
| DC48f | 108 | 130 | mA | +125°C |
| DC49d | 155 | 186 | mA | +25°C |
| DC49e | 156 | 187 | mA | +85°C |

Note 1: Data in “Typical” column is at 5V, +25°C unless otherwise stated. Parameters are for design guidance only and are not tested.

2: Base I_{IDLE} current is measured with core off, clock on and all modules turned off. All I/Os are configured as inputs and pulled high. WDT, etc. are all switched off.

TABLE 21-7: DC CHARACTERISTICS: POWER-DOWN CURRENT (IPD)

| DC CHARACTERISTICS | | | Standard Operating Conditions: 3.3V and 5.0V ($\pm 10\%$) (unless otherwise stated) Operating temperature $-40^{\circ}\text{C} \leq T_A \leq +85^{\circ}\text{C}$ for Industrial $-40^{\circ}\text{C} \leq T_A \leq +125^{\circ}\text{C}$ for Extended | | |
|---------------------------------|------------------------|-----|---|------------|--|
| Parameter No. | Typical ⁽¹⁾ | Max | Units | Conditions | |
| Power-Down Current (IPD) | | | | | |
| DC60a | 1.2 | 2.4 | mA | +25°C | Base Power-Down Current ⁽²⁾ |
| DC60b | 1.2 | 2.4 | mA | +85°C | |
| DC60c | 1.3 | 2.6 | mA | +125°C | |
| DC60e | 2.1 | 4.2 | mA | +25°C | |
| DC60f | 2.1 | 4.2 | mA | +85°C | |
| DC60g | 2.3 | 4.6 | mA | +125°C | |
| DC61a | 15 | 30 | μA | +25°C | |
| DC61b | 14 | 30 | μA | +85°C | |
| DC61c | 14 | 30 | μA | +125°C | |
| DC61e | 30 | 60 | μA | +25°C | |
| DC61f | 29 | 60 | μA | +85°C | |
| DC61g | 30 | 60 | μA | +125°C | |

- Note 1:** Data in the Typical column is at 5V, +25°C unless otherwise stated. Parameters are for design guidance only and are not tested.
- 2:** Base IPD is measured with all peripherals and clocks shutdown. All I/Os are configured as inputs and pulled high. WDT, etc., are all switched off.
- 3:** The Δ current is the additional current consumed when the module is enabled. This current should be added to the base IPD current.

dsPIC30F1010/202X

TABLE 21-8: DC CHARACTERISTICS: I/O PIN INPUT SPECIFICATIONS

| DC CHARACTERISTICS | | | Standard Operating Conditions: 3.3V and 5.0V (±10%) (unless otherwise stated) Operating temperature -40°C ≤ TA ≤ +85°C for Industrial -40°C ≤ TA ≤ +125°C for Extended | | | | | |
|--------------------------------------|-----------------|---|---|--------------------|---------------------|-------|---|---|
| Param No. | Symbol | Characteristic | Min | Typ ⁽¹⁾ | Max | Units | Conditions | |
| DI10 DI15 DI16 DI18 DI19 | V _{IL} | Input Low Voltage⁽²⁾ I/O Pins: with Schmitt Trigger Buffer | V _{SS} | — | 0.2 V _{DD} | V | SMbus disabled SMbus enabled | |
| | | $\overline{\text{MCLR}}$ | V _{SS} | — | 0.2 V _{DD} | V | | |
| | | OSC1 (in HS mode) | V _{SS} | — | 0.2 V _{DD} | V | | |
| | | SDA, SCL | V _{SS} | — | 0.3 V _{DD} | V | | |
| | | SDA, SCL | V _{SS} | — | 0.2 V _{DD} | V | | |
| DI20 DI25 DI26 DI28 DI29 | V _{IH} | Input High Voltage⁽²⁾ I/O Pins: with Schmitt Trigger Buffer | 0.8 V _{DD} | — | V _{DD} | V | SMbus disabled SMbus enabled | |
| | | $\overline{\text{MCLR}}$ | 0.8 V _{DD} | — | V _{DD} | V | | |
| | | OSC1 (in HS mode) | 0.7 V _{DD} | — | V _{DD} | V | | |
| | | SDA, SCL | 0.7 V _{DD} | — | V _{DD} | V | | |
| | | SDA, SCL | 0.8 V _{DD} | — | V _{DD} | V | | |
| DI50 DI51 DI55 DI56 | I _{IL} | Input Leakage Current^(2,3,4) I/O Ports | — | 0.01 | ±1 | μA | V _{SS} ≤ V _{PIN} ≤ V _{DD} , Pin at high-impedance | |
| | | Analog Input Pins | — | 0.50 | — | μA | | V _{SS} ≤ V _{PIN} ≤ V _{DD} , Pin at high-impedance |
| | | $\overline{\text{MCLR}}$ | — | 0.05 | ±5 | μA | | V _{SS} ≤ V _{PIN} ≤ V _{DD} |
| | | OSC1 | — | 0.05 | ±5 | μA | | V _{SS} ≤ V _{PIN} ≤ V _{DD} , HS Oscillator mode |

- Note 1:** Data in “Typ” column is at 5V, +25°C unless otherwise stated. Parameters are for design guidance only and are not tested.
- 2:** These parameters are characterized but not tested in manufacturing.
- 3:** The leakage current on the $\overline{\text{MCLR}}$ pin is strongly dependent on the applied voltage level. The specified levels represent normal operating conditions. Higher leakage current may be measured at different input voltages.
- 4:** Negative current is defined as current sourced by the pin.

TABLE 21-9: DC CHARACTERISTICS: I/O PIN OUTPUT SPECIFICATIONS

| DC CHARACTERISTICS | | | Standard Operating Conditions: 3.3V and 5.0V (±10%) (unless otherwise stated) Operating temperature -40°C ≤ TA ≤ +85°C for Industrial -40°C ≤ TA ≤ +125°C for Extended | | | | |
|----------------------|--|---|---|--------------------|-----|-------|--|
| Param No. | Symbol | Characteristic | Min | Typ ⁽¹⁾ | Max | Units | Conditions |
| DO10 | VOL | Output Low Voltage⁽²⁾ I/O Ports | — | — | 0.6 | V | IOL = 8.5 mA, VDD = 5V |
| | | | — | — | TBD | V | IOL = 2.0 mA, VDD = 3.3V |
| DO16 | | OSC2/CLKO (RC or EC Oscillator mode) | — | — | 0.6 | V | IOL = 1.6 mA, VDD = 5V |
| | | | — | — | TBD | V | IOL = 2.0 mA, VDD = 3.3V |
| DO20 | VOH | Output High Voltage⁽²⁾ I/O Ports | VDD – 0.7 | — | — | V | I _{OH} = -3.0 mA, VDD = 5V |
| | | | TBD | — | — | V | I _{OH} = -2.0 mA, VDD = 3.3V |
| DO26 | | OSC2/CLKO (RC or EC Oscillator mode) | VDD – 0.7 | — | — | V | I _{OH} = -1.3 mA, VDD = 5V |
| | | | TBD | — | — | V | I _{OH} = -2.0 mA, VDD = 3.3V |
| DO50 DO56 DO58 | Cosc2 C _{IO} C _B | Capacitive Loading Specs on Output Pins⁽²⁾ OSC2 Pin All I/O Pins and OSC2 SCL, SDA | — | — | 15 | pF | In HS mode when external clock is used to drive OSC1 |
| | | | — | — | 50 | pF | RC or EC Oscillator mode |
| | | | — | — | 400 | pF | In I ² C mode |

Legend: TBD = To Be Determined

Note 1: Data in “Typ” column is at 5V, +25°C unless otherwise stated. Parameters are for design guidance only and are not tested.

2: These parameters are characterized but not tested in manufacturing.

TABLE 21-10: DC CHARACTERISTICS: PROGRAM AND EEPROM

| DC CHARACTERISTICS | | | Standard Operating Conditions: 3.3V and 5.0V (±10%) (unless otherwise stated) Operating temperature -40°C ≤ TA ≤ +85°C for Industrial -40°C ≤ TA ≤ +125°C for Extended | | | | | |
|---|--------|------------------------------------|---|--------------------|-----|-------|---|------------|
| Param No. | Symbol | Characteristic | Min | Typ ⁽¹⁾ | Max | Units | Conditions | |
| Program Flash Memory⁽²⁾ | | | | | | | | |
| D130 | EP | Cell Endurance | 10K | 100K | — | E/W | VMIN = Minimum operating voltage | |
| D131 | VPR | VDD for Read | V _{MIN} | — | 5.5 | V | | |
| D132 | VEB | VDD for Bulk Erase | 4.5 | — | 5.5 | V | | |
| D133 | VPEW | VDD for Erase/Write | 3.0 | — | 5.5 | V | | |
| D134 | TPEW | Erase/Write Cycle Time | — | 2 | — | ms | Provided no other specifications are violated | |
| D135 | TRETD | Characteristic Retention | 40 | 100 | — | Year | | |
| D136 | TEB | ICSP Block Erase Time | — | 4 | — | ms | | |
| D137 | IPEW | I _{DD} During Programming | — | 10 | 30 | mA | | Row erase |
| D138 | IEB | I _{DD} During Programming | — | 10 | 30 | mA | | Bulk erase |

Note 1: Data in “Typ” column is at 5V, +25°C unless otherwise stated.

2: These parameters are characterized but not tested in manufacturing.

dsPIC30F1010/202X

21.2 AC Characteristics and Timing Parameters

The information contained in this section defines dsPIC30F AC characteristics and timing parameters.

TABLE 21-11: TEMPERATURE AND VOLTAGE SPECIFICATIONS – AC

| | |
|---------------------------|---|
| AC CHARACTERISTICS | Standard Operating Conditions: 3.3V and 5.0V (±10%) (unless otherwise stated) |
| | Operating temperature $-40^{\circ}\text{C} \leq T_A \leq +85^{\circ}\text{C}$ for Industrial $-40^{\circ}\text{C} \leq T_A \leq +125^{\circ}\text{C}$ for Extended Operating voltage V_{DD} range as described in DC Spec Section 21.0. |

FIGURE 21-1: LOAD CONDITIONS FOR DEVICE TIMING SPECIFICATIONS

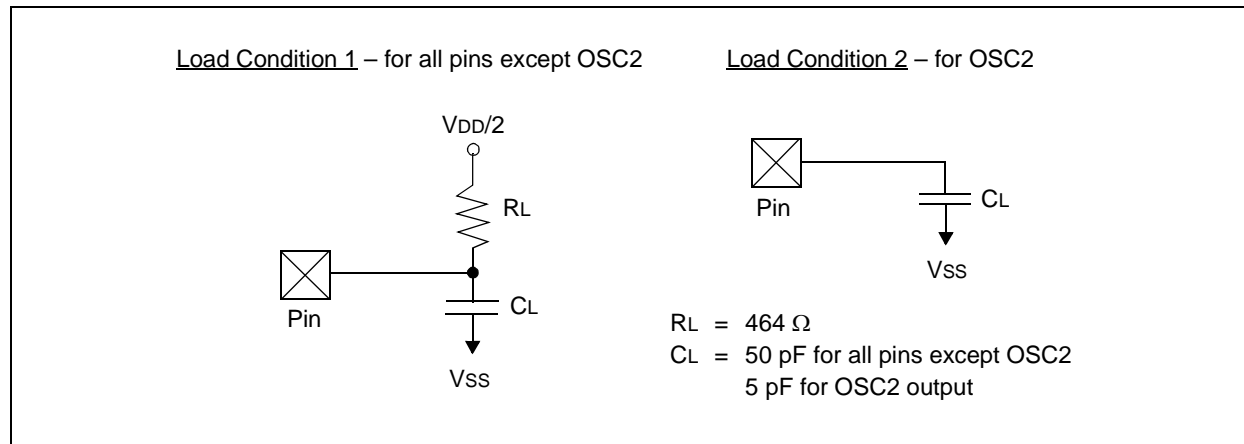


FIGURE 21-2: EXTERNAL CLOCK TIMING

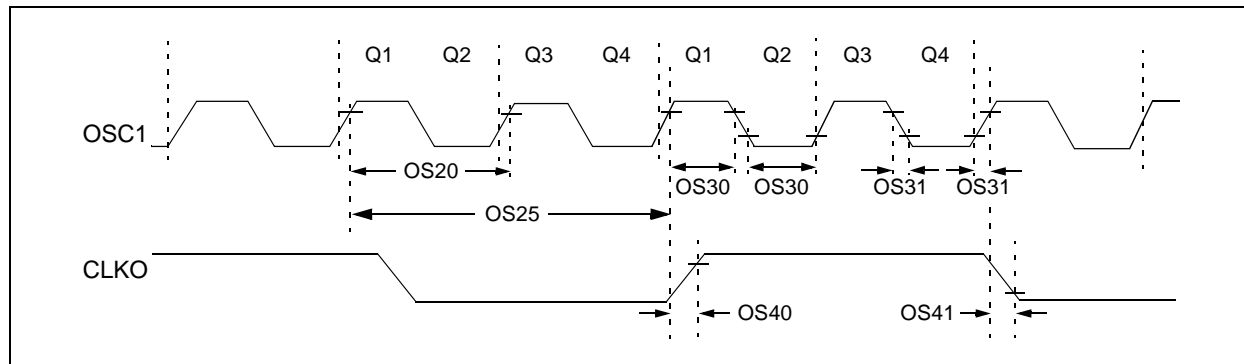


TABLE 21-12: EXTERNAL CLOCK TIMING REQUIREMENTS

| AC CHARACTERISTICS | | | Standard Operating Conditions: 3.3V and 5.0V (±10%) (unless otherwise stated) Operating temperature -40°C ≤ TA ≤ +85°C for Industrial -40°C ≤ TA ≤ +125°C for Extended | | | | |
|--------------------|---------------|---|---|--------------------|----------------|------------|-----------------------|
| Param No. | Symbol | Characteristic | Min | Typ ⁽¹⁾ | Max | Units | Conditions |
| OS10 | FIN | External CLKI Frequency ⁽²⁾ (External clocks allowed only in EC mode) | 6 6 | — — | 15.00 15.00 | MHz MHz | EC EC with 32x PLL |
| | | Oscillator Frequency ⁽²⁾ | 6 6 | — — | 15.00 15.00 | MHz MHz | HS FRC internal |
| OS20 | TOSC | Tosc = 1/Fosc ⁽³⁾ | 16.5 | — | DC | ns | |
| OS25 | Tcy | Instruction Cycle Time ^(2,4) | 33 | — | DC | ns | |
| OS30 | TosL, TosH | External Clock in (OSC1) High or Low Time ⁽²⁾ | .45 x TOSC | — | — | ns | EC |
| OS31 | TosR, TosF | External Clock in (OSC1) Rise or Fall Time ⁽²⁾ | — | — | 20 | ns | EC |
| OS40 | TckR | CLKO Rise Time ^(2,5) | — | 6 | 10 | ns | |
| OS41 | TckF | CLKO Fall Time ^(2,5) | — | 6 | 10 | ns | |

Note 1: Data in “Typ” column is at 5V, +25°C unless otherwise stated. Parameters are for design guidance only and are not tested.

2: These parameters are characterized but not tested in manufacturing.

3: The oscillator frequency (Fosc) is equal to FIN when the PLL is disabled. Fosc is equal to 4 x FIN when the PLL is enabled.

4: Instruction cycle period (Tcy) equals two times the input oscillator time base period. All specified values are based on characterization data for that particular oscillator type under standard operating conditions with the device executing code. Exceeding these specified limits may result in an unstable oscillator operation and/or higher than expected current consumption. All devices are tested to operate at “Min.” values with an external clock applied to the OSC1/CLK1 pin. When an external clock input is used, the “Max.” cycle time limit is “DC” (no clock) for all devices.

5: Measurements are taken in EC mode. The CLKO signal is measured on the OSC2 pin.

dsPIC30F1010/202X

TABLE 21-13: PLL CLOCK TIMING SPECIFICATIONS (V_{DD} = 3.0 AND 5.0V)

| AC CHARACTERISTICS | | Standard Operating Conditions: 3.3V and 5.0V (±10%) (unless otherwise stated) Operating temperature -40°C ≤ T _A ≤ +85°C for Industrial -40°C ≤ T _A ≤ +125°C for Extended | | | | | |
|--------------------|--------|---|-----|--------------------|-----|-------|-----------------------------|
| Param No. | Symbol | Characteristic ⁽¹⁾ | Min | Typ ⁽²⁾ | Max | Units | Conditions |
| OS50 | FPLLI | PLL Input Frequency Range ⁽²⁾ | 6 | — | 15 | MHz | EC, HS modes with PLL x32 |
| OS51 | FSYS | On-Chip PLL Output ⁽²⁾ | 192 | — | 480 | MHz | EC, HS modes with PLL x32 |
| OS52 | TLOCK | PLL Start-up Time (Lock Time) | — | 20 | 50 | μs | |
| OS53 | DCLK | CLKO Stability (Jitter) | — | — | 1 | % | Measured over 100 ms period |

Note 1: These parameters are characterized but not tested in manufacturing.

2: Data in “Typ” column is at 5V, +25°C unless otherwise stated. Parameters are for design guidance only and are not tested.

TABLE 21-14: INTERNAL CLOCK TIMING EXAMPLES

| Clock Oscillator Mode | F _{IN} (MHz) ⁽¹⁾ | T _{CY} (μsec) ⁽²⁾ | MIPS ⁽³⁾ w/o PLL | MIPS ⁽⁴⁾ w/PLL x32 |
|-----------------------|--------------------------------------|---------------------------------------|-----------------------------|-------------------------------|
| EC | 10 | 0.2 | 5.0 | 20 |
| | 15 | 0.133 | 7.5 | 30 |
| HS | 10 | 0.2 | 5.0 | 20 |
| | 15 | 0.133 | 7.5 | 30 |

Note 1: Assumption: Oscillator Postscaler is divide-by-1.

2: Instruction Execution Cycle Time: T_{CY} = 1/MIPS.

3: Instruction Execution Frequency without PLL: MIPS = F_{IN}/2 (since there are 2 Q clocks per instruction cycle).

4: Instruction Execution Frequency with PLL: MIPS = (F_{IN} * 2).

TABLE 21-15: AC CHARACTERISTICS: INTERNAL RC ACCURACY

| AC CHARACTERISTICS | | Standard Operating Conditions: 3.3V and 5.0V ($\pm 10\%$) (unless otherwise stated) Operating temperature $-40^{\circ}\text{C} \leq T_A \leq +85^{\circ}\text{C}$ for industrial $-40^{\circ}\text{C} \leq T_A \leq +125^{\circ}\text{C}$ for Extended | | | | | |
|---|----------------|---|-----|-------|-------|--|----------------|
| Param No. | Characteristic | Min | Typ | Max | Units | Conditions | |
| Internal FRC Accuracy @ FRC Freq = 6.4 MHz⁽¹⁾ | | | | | | | |
| | FRC | -0.06 | — | +0.06 | % | +25°C | VDD = 3.0-3.6V |
| | | -0.06 | — | +0.06 | % | +25°C | VDD = 4.5-5.5V |
| | | -1 | — | +1 | % | $-40^{\circ}\text{C} \leq T_A \leq +85^{\circ}\text{C}$ | VDD = 3.0-3.6V |
| | | -1 | — | +1 | % | $-40^{\circ}\text{C} \leq T_A \leq +85^{\circ}\text{C}$ | VDD = 4.5-5.5V |
| | | -1 | — | +1 | % | $-40^{\circ}\text{C} \leq T_A \leq +125^{\circ}\text{C}$ | VDD = 4.5-5.5V |
| Internal FRC Accuracy @ FRC Freq = 9.7 MHz⁽¹⁾ | | | | | | | |
| | FRC | -0.06 | — | +0.06 | % | +25°C | VDD = 3.0-3.6V |
| | | -0.06 | — | +0.06 | % | +25°C | VDD = 4.5-5.5V |
| | | -1 | — | +1 | % | $-40^{\circ}\text{C} \leq T_A \leq +85^{\circ}\text{C}$ | VDD = 3.0-3.6V |
| | | -1 | — | +1 | % | $-40^{\circ}\text{C} \leq T_A \leq +85^{\circ}\text{C}$ | VDD = 4.5-5.5V |
| | | -1 | — | +1 | % | $-40^{\circ}\text{C} \leq T_A \leq +125^{\circ}\text{C}$ | VDD = 4.5-5.5V |
| Internal FRC Accuracy @ FRC Freq = 14.55 MHz⁽¹⁾ | | | | | | | |
| | FRC | -0.06 | — | +0.06 | % | +25°C | VDD = 3.0-3.6V |
| | | -0.06 | — | +0.06 | % | +25°C | VDD = 4.5-5.5V |
| | | -1 | — | +1 | % | $-40^{\circ}\text{C} \leq T_A \leq +85^{\circ}\text{C}$ | VDD = 3.0-3.6V |
| | | -1 | — | +1 | % | $-40^{\circ}\text{C} \leq T_A \leq +85^{\circ}\text{C}$ | VDD = 4.5-5.5V |
| | | -1 | — | +1 | % | $-40^{\circ}\text{C} \leq T_A \leq +125^{\circ}\text{C}$ | VDD = 4.5-5.5V |

Note 1: Frequency calibrated at +25°C and 5V. TUN bits can be used to compensate for temperature drift.

FIGURE 21-3: CLKO AND I/O TIMING CHARACTERISTICS

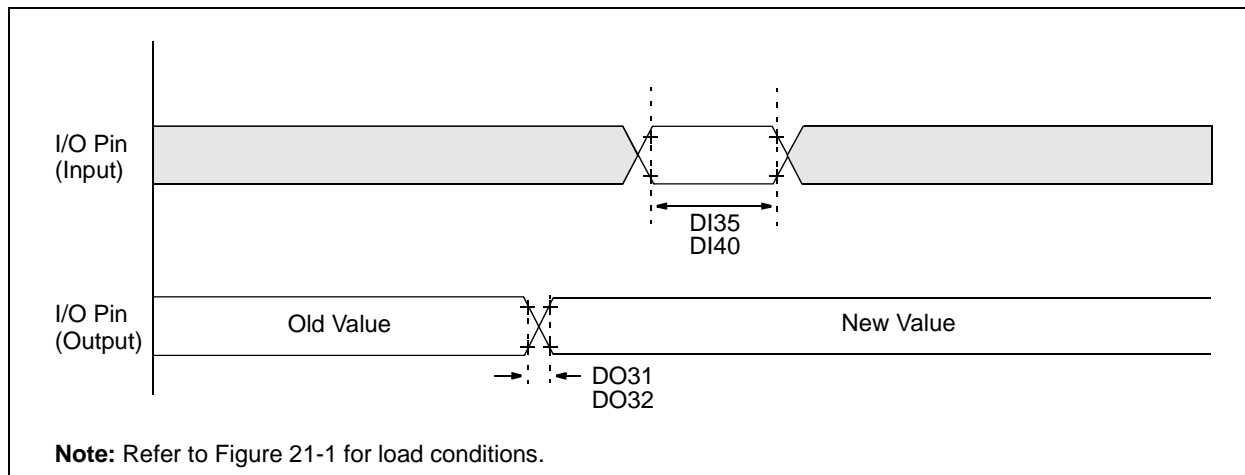


TABLE 21-17: CLKO AND I/O TIMING REQUIREMENTS

| AC CHARACTERISTICS | | Standard Operating Conditions: 3.3V and 5.0V ($\pm 10\%$) (unless otherwise stated) Operating temperature $-40^{\circ}\text{C} \leq T_A \leq +85^{\circ}\text{C}$ for Industrial $-40^{\circ}\text{C} \leq T_A \leq +125^{\circ}\text{C}$ for Extended | | | | | |
|--------------------|--------|---|-------|--------------------|-----|-------|------------|
| Param No. | Symbol | Characteristic ^(1,2) | Min | Typ ⁽³⁾ | Max | Units | Conditions |
| DO31 | TioR | Port Output Rise Time | — | 10 | 25 | ns | |
| DO32 | TioF | Port Output Fall Time | — | 10 | 25 | ns | |
| DI35 | TINP | INTx Pin High or Low Time (output) | 20 | — | — | ns | |
| DI40 | TRBP | CNx High or Low Time (input) | 2 Tcy | — | — | ns | |

Note 1: These parameters are asynchronous events not related to any internal clock edges.

2: These parameters are characterized but not tested in manufacturing.

3: Data in "Typ" column is at 5V, $+25^{\circ}\text{C}$ unless otherwise stated.

dsPIC30F1010/202X

FIGURE 21-4: RESET, WATCHDOG TIMER, OSCILLATOR START-UP TIMER AND POWER-UP TIMER TIMING CHARACTERISTICS

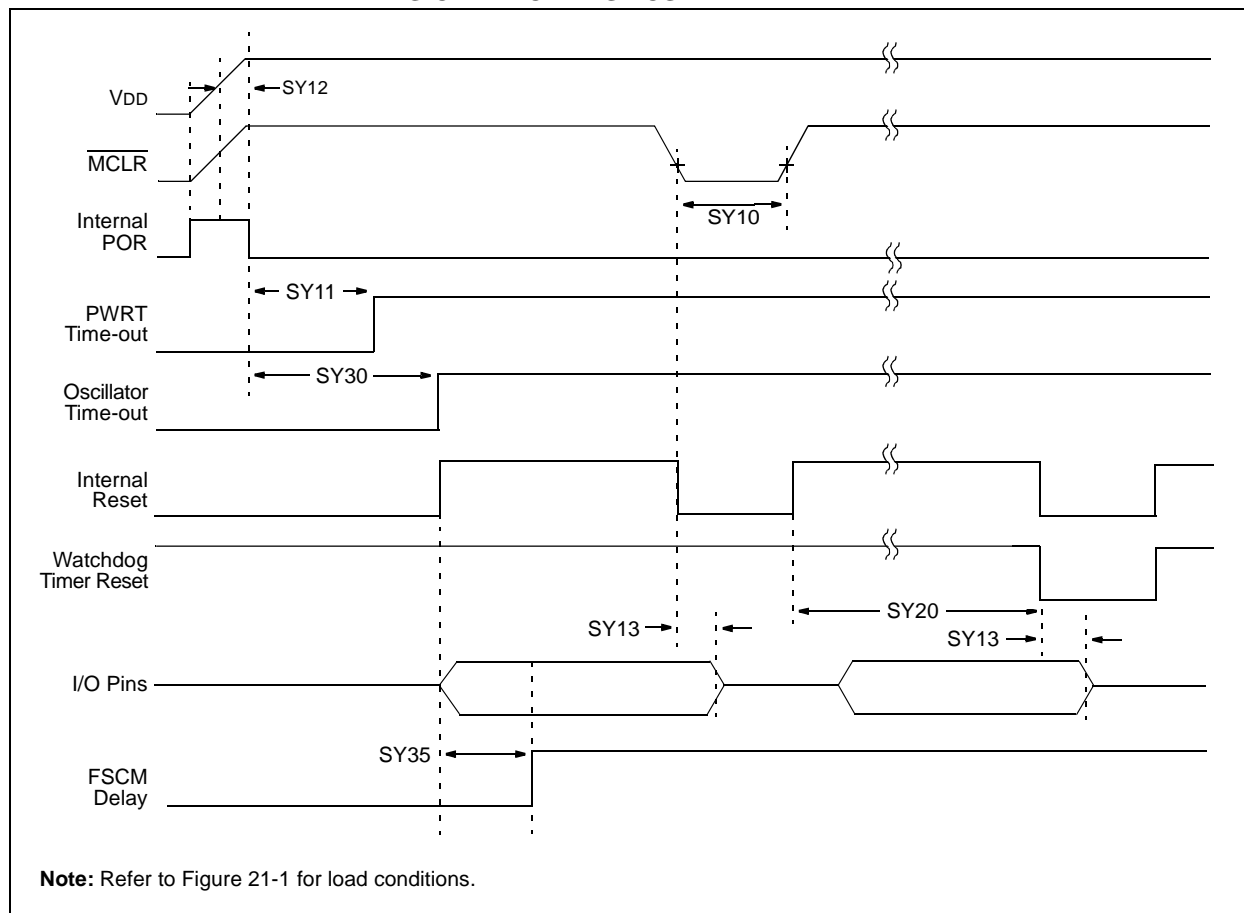


TABLE 21-18: RESET, WATCHDOG TIMER, OSCILLATOR START-UP TIMER, POWER-UP TIMER AND TIMING REQUIREMENTS

| AC CHARACTERISTICS | | | Standard Operating Conditions: 3.3V and 5.0V (±10%) (unless otherwise stated) Operating temperature -40°C ≤ TA ≤ +85°C for Industrial -40°C ≤ TA ≤ +125°C for Extended | | | | |
|--------------------|--------|--|---|---|---|-------|---------------------------------------|
| Param No. | Symbol | Characteristic ⁽¹⁾ | Min | Typ ⁽²⁾ | Max | Units | Conditions |
| SY10 | TMCL | MCLR Pulse Width (low) | 2 | — | — | μs | -40°C to +125°C |
| SY11 | TPWRT | Power-up Timer Period | 0.75 1.5 3 6 12 24 48 96 | 1 2 4 8 16 32 64 128 | 1.25 2.5 5 10 20 40 80 160 | ms | -40°C to +125°C, user programmable |
| SY12 | TPOR | Power-on Reset Delay | 3 | 10 | 30 | μs | -40°C to +125°C |
| SY13 | TIOZ | I/O High-impedance from MCLR Low or Watchdog Timer Reset | — | 0.8 | 1.0 | μs | |
| SY20 | TWDT1 | Watchdog Timer Time-out Period (No Prescaler) | 1.4 | 2.1 | 2.8 | ms | VDD = 5V, -40°C to +125°C |
| | TWDT2 | | 1.4 | 2.1 | 2.8 | ms | VDD = 3.3V, -40°C to +125°C |
| SY30 | TOST | Oscillation Start-up Timer Period | — | 1024 TOSC | — | — | TOSC = OSC1 period |
| SY35 | TFSCM | Fail-Safe Clock Monitor Delay | — | 500 | — | μs | -40°C to +125°C |

Note 1: These parameters are characterized but not tested in manufacturing.

2: Data in “Typ” column is at 5V, +25°C unless otherwise stated.

dsPIC30F1010/202X

FIGURE 21-5: BAND GAP START-UP TIME CHARACTERISTICS

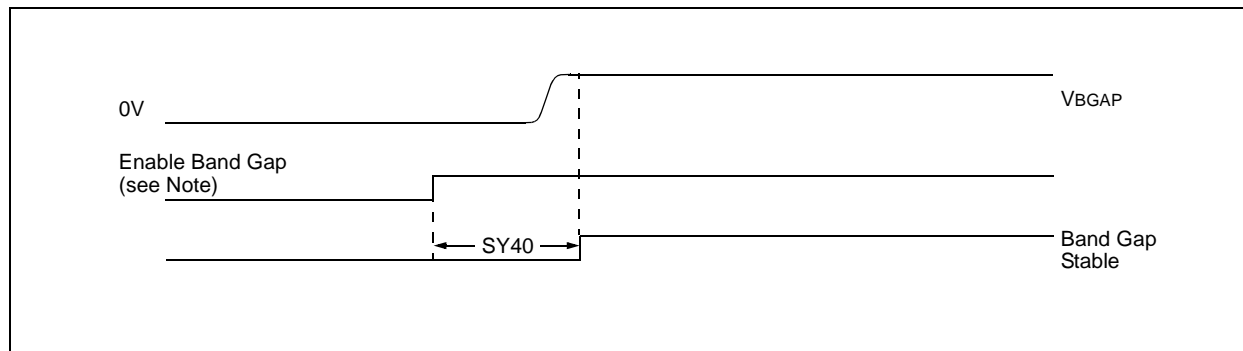


TABLE 21-19: BAND GAP START-UP TIME REQUIREMENTS

| AC CHARACTERISTICS | | | Standard Operating Conditions: 3.3V and 5.0V ($\pm 10\%$) (unless otherwise stated) Operating temperature $-40^{\circ}\text{C} \leq T_A \leq +85^{\circ}\text{C}$ for Industrial $-40^{\circ}\text{C} \leq T_A \leq +125^{\circ}\text{C}$ for Extended | | | | |
|--------------------|--------|-------------------------------|---|--------------------|-----|---------------|---|
| Param No. | Symbol | Characteristic ⁽¹⁾ | Min | Typ ⁽²⁾ | Max | Units | Conditions |
| SY40 | TBGAP | Band Gap Start-up Time | — | 40 | 65 | μs | Defined as the time between the instant that the band gap is enabled and the moment that the band gap reference voltage is stable. RCON<13> status bit. |

Note 1: These parameters are characterized but not tested in manufacturing.

2: Data in “Typ” column is at 5V, $+25^{\circ}\text{C}$ unless otherwise stated.

FIGURE 21-6: TIMERx EXTERNAL CLOCK TIMING CHARACTERISTICS



TABLE 21-20: TIMER1 EXTERNAL CLOCK TIMING REQUIREMENTS

| AC CHARACTERISTICS | | Standard Operating Conditions: 3.3V and 5.0V (±10%) (unless otherwise stated) Operating temperature -40°C ≤ TA ≤ +85°C for Industrial -40°C ≤ TA ≤ +125°C for Extended | | | | | | |
|--------------------|-----------------------|---|-----------------------------|---|-----|---------------------|-------|------------------------------------|
| Param No. | Symbol | Characteristic | | Min | Typ | Max | Units | Conditions |
| TA10 | T _{TxH} | T1CK High Time | Synchronous, no prescaler | 0.5 T _{CY} + 20 | — | — | ns | Must also meet Parameter TA15 |
| | | | Synchronous, with prescaler | 10 | — | — | ns | |
| | | | Asynchronous | 10 | — | — | ns | |
| TA11 | T _{TxL} | T1CK Low Time | Synchronous, no prescaler | 0.5 T _{CY} + 20 | — | — | ns | Must also meet Parameter TA15 |
| | | | Synchronous, with prescaler | 10 | — | — | ns | |
| | | | Asynchronous | 10 | — | — | ns | |
| TA15 | T _{TxP} | T1CK Input Period | Synchronous, no prescaler | T _{CY} + 10 | — | — | ns | N = Prescale value (1, 8, 64, 256) |
| | | | Synchronous, with prescaler | Greater of: 20 ns or (T _{CY} + 40)/N | — | — | — | |
| | | | Asynchronous | 20 | — | — | ns | |
| OS60 | F _{t1} | SOSC1/T1CK Oscillator Input Frequency Range (oscillator enabled by setting bit, TCS (T1CON<1>)) | | DC | — | 50 | kHz | |
| TA20 | T _{CKEXTMRL} | Delay from External T1CK Clock Edge to Timer Increment | | 0.5 T _{CY} | — | 1.5 T _{CY} | — | |

dsPIC30F1010/202X

TABLE 21-21: TIMER2 EXTERNAL CLOCK TIMING REQUIREMENTS

| AC CHARACTERISTICS | | | | Standard Operating Conditions: 3.3V and 5.0V (±10%) (unless otherwise stated) Operating temperature -40°C ≤ TA ≤ +85°C for Industrial -40°C ≤ TA ≤ +125°C for Extended | | | | |
|--------------------|-----------|--|-----------------------------|---|-----|---------|-------|------------------------------------|
| Param No. | Symbol | Characteristic | | Min | Typ | Max | Units | Conditions |
| TB10 | TTXH | T2CK High Time | Synchronous, no prescaler | 0.5 Tcy + 20 | — | — | ns | Must also meet Parameter TB15 |
| | | | Synchronous, with prescaler | 10 | — | — | ns | |
| TB11 | TTXL | T2CK Low Time | Synchronous, no prescaler | 0.5 Tcy + 20 | — | — | ns | Must also meet Parameter TB15 |
| | | | Synchronous, with prescaler | 10 | — | — | ns | |
| TB15 | TTXP | T2CK Input Period | Synchronous, no prescaler | Tcy + 10 | — | — | ns | N = Prescale value (1, 8, 64, 256) |
| | | | Synchronous, with prescaler | Greater of: 20 ns or (Tcy + 40)/N | — | — | — | |
| TB20 | TCKEXTMRL | Delay from External T2CK Clock Edge to Timer Increment | | 0.5 Tcy | — | 1.5 Tcy | — | |

TABLE 21-22: TIMER3 EXTERNAL CLOCK TIMING REQUIREMENTS

| AC CHARACTERISTICS | | | | Standard Operating Conditions: 3.3V and 5.0V (±10%) (unless otherwise stated) Operating temperature -40°C ≤ TA ≤ +85°C for Industrial -40°C ≤ TA ≤ +125°C for Extended | | | | |
|--------------------|-----------|--|-----------------------------|---|-----|---------|-------|------------------------------------|
| Param No. | Symbol | Characteristic | | Min | Typ | Max | Units | Conditions |
| TC10 | TTXH | T3CK High Time | Synchronous | 0.5 Tcy + 20 | — | — | ns | Must also meet Parameter TC15 |
| TC11 | TTXL | T3CK Low Time | Synchronous | 0.5 Tcy + 20 | — | — | ns | Must also meet Parameter TC15 |
| TC15 | TTXP | T3CK Input Period | Synchronous, no prescaler | Tcy + 10 | — | — | ns | N = Prescale value (1, 8, 64, 256) |
| | | | Synchronous, with prescaler | Greater of: 20 ns or (Tcy + 40)/N | — | — | — | |
| TC20 | TCKEXTMRL | Delay from External T3CK Clock Edge to Timer Increment | | 0.5 Tcy | — | 1.5 Tcy | — | |

FIGURE 21-7: INPUT CAPTURE x (ICx) TIMING CHARACTERISTICS

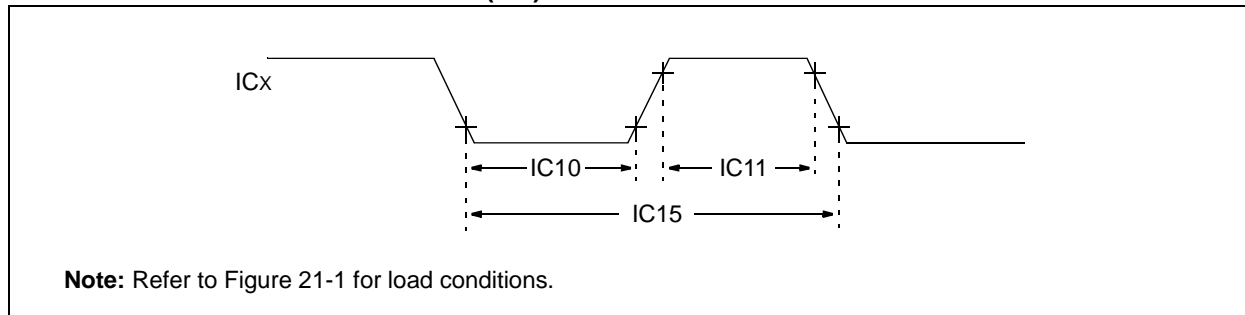


TABLE 21-23: INPUT CAPTURE x TIMING REQUIREMENTS

| AC CHARACTERISTICS | | Standard Operating Conditions: 3.3V and 5.0V (±10%) (unless otherwise stated) Operating temperature -40°C ≤ TA ≤ +85°C for Industrial -40°C ≤ TA ≤ +125°C for Extended | | | | | |
|--------------------|--------|---|----------------|----------------|-----|-------|-------------------------------|
| Param No. | Symbol | Characteristic ⁽¹⁾ | | Min | Max | Units | Conditions |
| IC10 | TccL | ICx Input Low Time | No Prescaler | 0.5 Tcy + 20 | — | ns | |
| | | | With Prescaler | 10 | — | ns | |
| IC11 | TccH | ICx Input High Time | No Prescaler | 0.5 Tcy + 20 | — | ns | |
| | | | With Prescaler | 10 | — | ns | |
| IC15 | TccP | ICx Input Period | | (2 Tcy + 40)/N | — | ns | N = Prescale value (1, 4, 16) |

Note 1: These parameters are characterized but not tested in manufacturing.

FIGURE 21-8: OUTPUT COMPARE x (OCx) MODULE TIMING CHARACTERISTICS

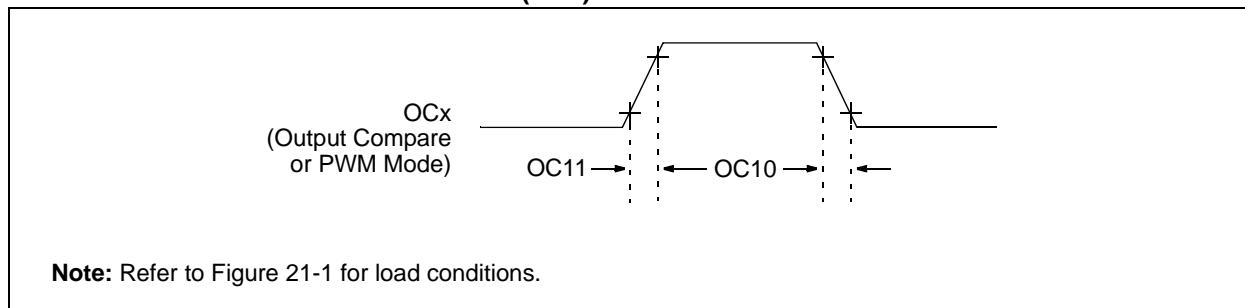


TABLE 21-24: OUTPUT COMPARE x MODULE TIMING REQUIREMENTS

| AC CHARACTERISTICS | | Standard Operating Conditions: 3.3V and 5.0V (±10%) (unless otherwise stated) Operating temperature -40°C ≤ TA ≤ +85°C for Industrial -40°C ≤ TA ≤ +125°C for Extended | | | | | |
|--------------------|--------|---|-----|--------------------|-----|-------|--------------------|
| Param No. | Symbol | Characteristic ⁽¹⁾ | Min | Typ ⁽²⁾ | Max | Units | Conditions |
| OC10 | TccF | OCx Output Fall Time | — | — | — | ns | See Parameter D032 |
| OC11 | TccR | OCx Output Rise Time | — | — | — | ns | See Parameter D031 |

Note 1: These parameters are characterized but not tested in manufacturing.

Note 2: Data in “Typ” column is at 5V, +25°C unless otherwise stated. Parameters are for design guidance only and are not tested.

dsPIC30F1010/202X

FIGURE 21-9: OCx/PWM MODULE TIMING CHARACTERISTICS

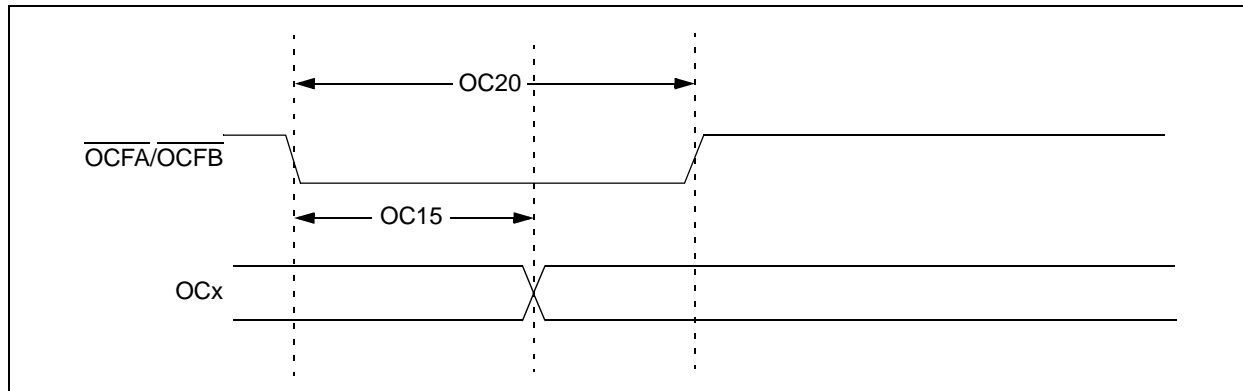


TABLE 21-25: SIMPLE OCx/PWM MODE TIMING REQUIREMENTS

| AC CHARACTERISTICS | | | | Standard Operating Conditions: 3.3V and 5.0V ($\pm 10\%$) (unless otherwise stated) Operating temperature $-40^{\circ}\text{C} \leq T_A \leq +85^{\circ}\text{C}$ for Industrial $-40^{\circ}\text{C} \leq T_A \leq +125^{\circ}\text{C}$ for Extended | | | | |
|--------------------|--------|-------------------------------|-----|---|-----|-------|------------------------|--|
| Param No. | Symbol | Characteristic ⁽¹⁾ | Min | Typ ⁽²⁾ | Max | Units | Conditions | |
| OC15 | TFD | Fault Input to PWM I/O Change | — | — | 25 | ns | $V_{DD} = 3.3\text{V}$ | -40°C to $+85^{\circ}\text{C}$ |
| | | | | | TBD | ns | $V_{DD} = 5\text{V}$ | |
| OC20 | TFLT | Fault Input Pulse Width | — | — | 50 | ns | $V_{DD} = 3.3\text{V}$ | -40°C to $+85^{\circ}\text{C}$ |
| | | | | | TBD | ns | $V_{DD} = 5\text{V}$ | |

Legend: TBD = To Be Determined

Note 1: These parameters are characterized but not tested in manufacturing.

Note 2: Data in "Typ" column is at 5V, $+25^{\circ}\text{C}$ unless otherwise stated. Parameters are for design guidance only and are not tested.

FIGURE 21-10: POWER SUPPLY PWM MODULE FAULT TIMING CHARACTERISTICS

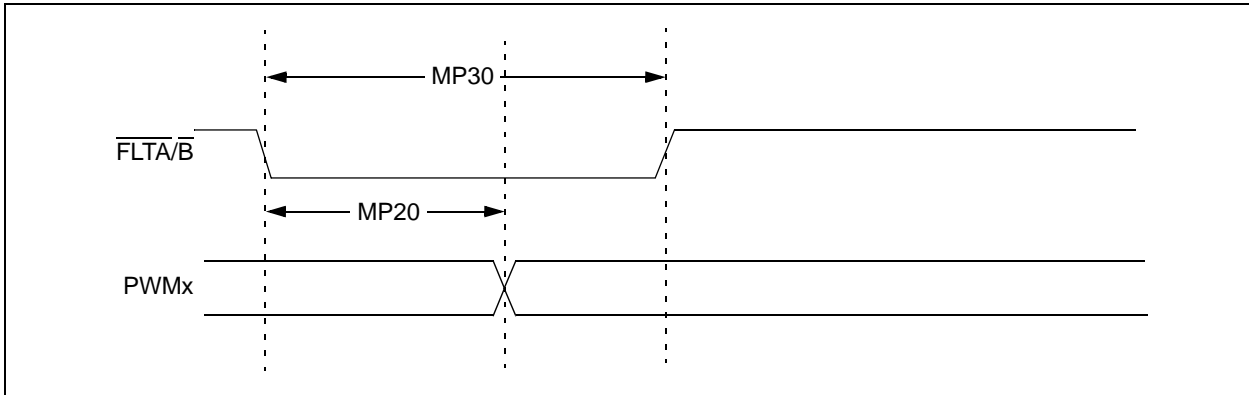
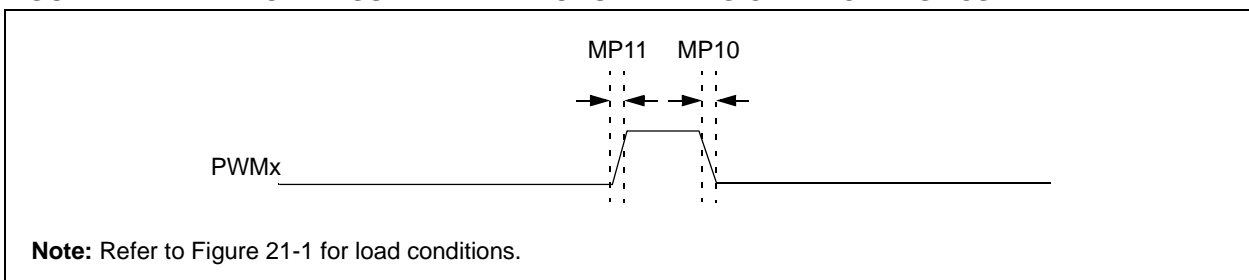


FIGURE 21-11: POWER SUPPLY PWM MODULE TIMING CHARACTERISTICS



Note: Refer to Figure 21-1 for load conditions.

TABLE 21-26: POWER SUPPLY PWM MODULE TIMING REQUIREMENTS

| AC CHARACTERISTICS | | | Standard Operating Conditions: 3.3V and 5.0V ($\pm 10\%$) (unless otherwise stated) Operating temperature $-40^{\circ}\text{C} \leq T_A \leq +85^{\circ}\text{C}$ for Industrial $-40^{\circ}\text{C} \leq T_A \leq +125^{\circ}\text{C}$ for Extended | | | | |
|--------------------|--------------------|--|---|--------------------|-----|-------|------------------------|
| Param No. | Symbol | Characteristic ⁽¹⁾ | Min | Typ ⁽²⁾ | Max | Units | Conditions |
| MP10 | T _F PWM | PWM Output Fall Time | — | 10 | 25 | ns | V _{DD} = 5V |
| MP11 | T _R PWM | PWM Output Rise Time | — | 10 | 25 | ns | V _{DD} = 5V |
| MP12 | T _F PWM | PWM Output Fall Time | — | TBD | TBD | ns | V _{DD} = 3.3V |
| MP13 | T _R PWM | PWM Output Rise Time | — | TBD | TBD | ns | V _{DD} = 3.3V |
| MP20 | T _{FD} | Fault Input \downarrow to PWM I/O Change | — | — | TBD | ns | V _{DD} = 3.3V |
| | | | — | — | 25 | ns | V _{DD} = 5V |
| MP30 | T _{FH} | Minimum Pulse Width | — | — | TBD | ns | V _{DD} = 3.3V |
| | | | — | — | 50 | ns | V _{DD} = 5V |

Legend: TBD = To Be Determined

Note 1: These parameters are characterized but not tested in manufacturing.

2: Data in "Typ" column is at 5V, +25°C unless otherwise stated. Parameters are for design guidance only and are not tested.

dsPIC30F1010/202X

FIGURE 21-12: SPIx MODULE MASTER MODE (CKE = 0) TIMING CHARACTERISTICS

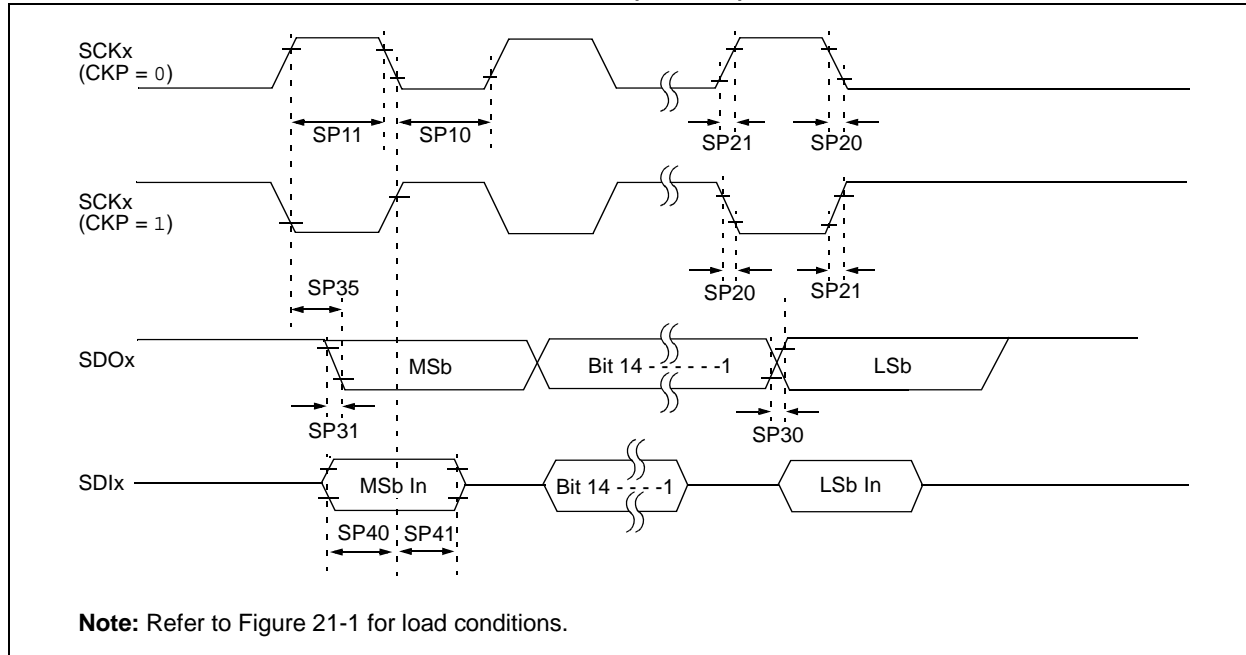


TABLE 21-27: SPIx MASTER MODE (CKE = 0) TIMING REQUIREMENTS

| AC CHARACTERISTICS | | | Standard Operating Conditions: 3.3V and 5.0V ($\pm 10\%$) (unless otherwise stated) Operating temperature $-40^{\circ}\text{C} \leq T_A \leq +85^{\circ}\text{C}$ for Industrial $-40^{\circ}\text{C} \leq T_A \leq +125^{\circ}\text{C}$ for Extended | | | | |
|--------------------|-----------------------|--|---|--------------------|-----|-------|--------------------|
| Para m No. | Symbol | Characteristic ⁽¹⁾ | Min | Typ ⁽²⁾ | Max | Units | Conditions |
| SP10 | TscL | SCKx Output Low Time ⁽³⁾ | $T_{CY}/2$ | — | — | ns | |
| SP11 | TscH | SCKx Output High Time ⁽³⁾ | $T_{CY}/2$ | — | — | ns | |
| SP20 | TscF | SCKx Output Fall Time ⁽⁴⁾ | — | — | — | ns | See Parameter D032 |
| SP21 | TscR | SCKx Output Rise Time ⁽⁴⁾ | — | — | — | ns | See Parameter D031 |
| SP30 | TdoF | SDOx Data Output Fall Time ⁽⁴⁾ | — | — | — | ns | See Parameter D032 |
| SP31 | TdoR | SDOx Data Output Rise Time ⁽⁴⁾ | — | — | — | ns | See Parameter D031 |
| SP35 | Tsch2doV, TscL2doV | SDOx Data Output Valid after SCKx Edge | — | — | 30 | ns | |
| SP40 | TdiV2sch, TdiV2scL | Setup Time of SDIx Data Input to SCKx Edge | 20 | — | — | ns | |
| SP41 | Tsch2diL, TscL2diL | Hold Time of SDIx Data Input to SCKx Edge | 20 | — | — | ns | |

- Note 1:** These parameters are characterized but not tested in manufacturing.
- Note 2:** Data in “Typ” column is at 5V, +25°C unless otherwise stated. Parameters are for design guidance only and are not tested.
- Note 3:** The minimum clock period for SCKx is 100 ns. Therefore, the clock generated in Master mode must not violate this specification.
- Note 4:** Assumes 50 pF load on all SPIx pins.

FIGURE 21-13: SPIx MODULE MASTER MODE (CKE = 1) TIMING CHARACTERISTICS

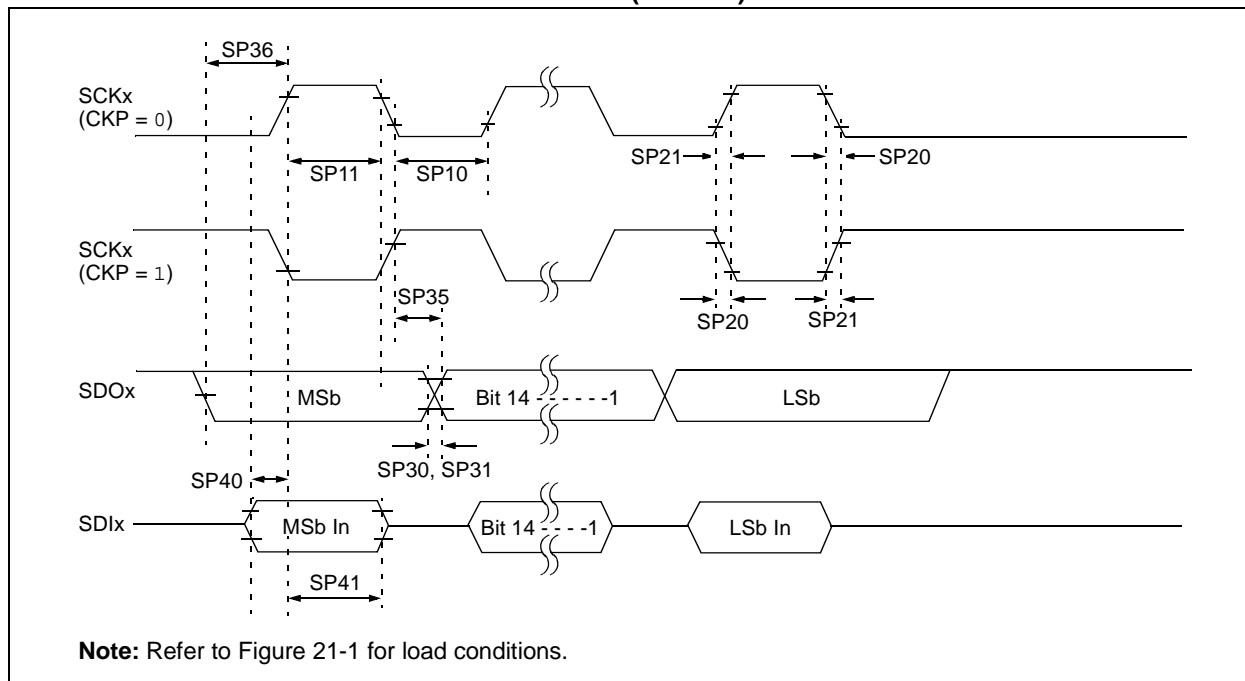


TABLE 21-28: SPIx MODULE MASTER MODE (CKE = 1) TIMING REQUIREMENTS

| AC CHARACTERISTICS | | | Standard Operating Conditions: 3.3V and 5.0V (±10%) (unless otherwise stated) Operating temperature -40°C ≤ TA ≤ +85°C for Industrial -40°C ≤ TA ≤ +125°C for Extended | | | | |
|--------------------|-----------------------|--|---|--------------------|-----|-------|--------------------|
| Param No. | Symbol | Characteristic ⁽¹⁾ | Min | Typ ⁽²⁾ | Max | Units | Conditions |
| SP10 | TscL | SCKx Output Low Time ⁽³⁾ | Tcy/2 | — | — | ns | |
| SP11 | TscH | SCKx Output High Time ⁽³⁾ | Tcy/2 | — | — | ns | |
| SP20 | TscF | SCKx Output Fall Time ⁽⁴⁾ | — | — | — | ns | See Parameter D032 |
| SP21 | TscR | SCKx Output Rise Time ⁽⁴⁾ | — | — | — | ns | See Parameter D031 |
| SP30 | TdoF | SDOx Data Output Fall Time ⁽⁴⁾ | — | — | — | ns | See Parameter D032 |
| SP31 | TdoR | SDOx Data Output Rise Time ⁽⁴⁾ | — | — | — | ns | See Parameter D031 |
| SP35 | Tsch2doV, TscL2doV | SDOx Data Output Valid after SCKx Edge | — | — | 30 | ns | |
| SP36 | TdoV2sc, TdoV2scL | SDOx Data Output Setup to First SCKx Edge | 30 | — | — | ns | |
| SP40 | TdiV2scH, TdiV2scL | Setup Time of SDIx Data Input to SCKx Edge | 20 | — | — | ns | |
| SP41 | Tsch2diL, TscL2diL | Hold Time of SDIx Data Input to SCKx Edge | 20 | — | — | ns | |

- Note 1:** These parameters are characterized but not tested in manufacturing.
- Note 2:** Data in “Typ” column is at 5V, +25°C unless otherwise stated. Parameters are for design guidance only and are not tested.
- Note 3:** The minimum clock period for SCKx is 100 ns. Therefore, the clock generated in Master mode must not violate this specification.
- Note 4:** Assumes 50 pF load on all SPIx pins.

dsPIC30F1010/202X

FIGURE 21-14: SPIx MODULE SLAVE MODE (CKE = 0) TIMING CHARACTERISTICS



TABLE 21-29: SPIx MODULE SLAVE MODE (CKE = 0) TIMING REQUIREMENTS

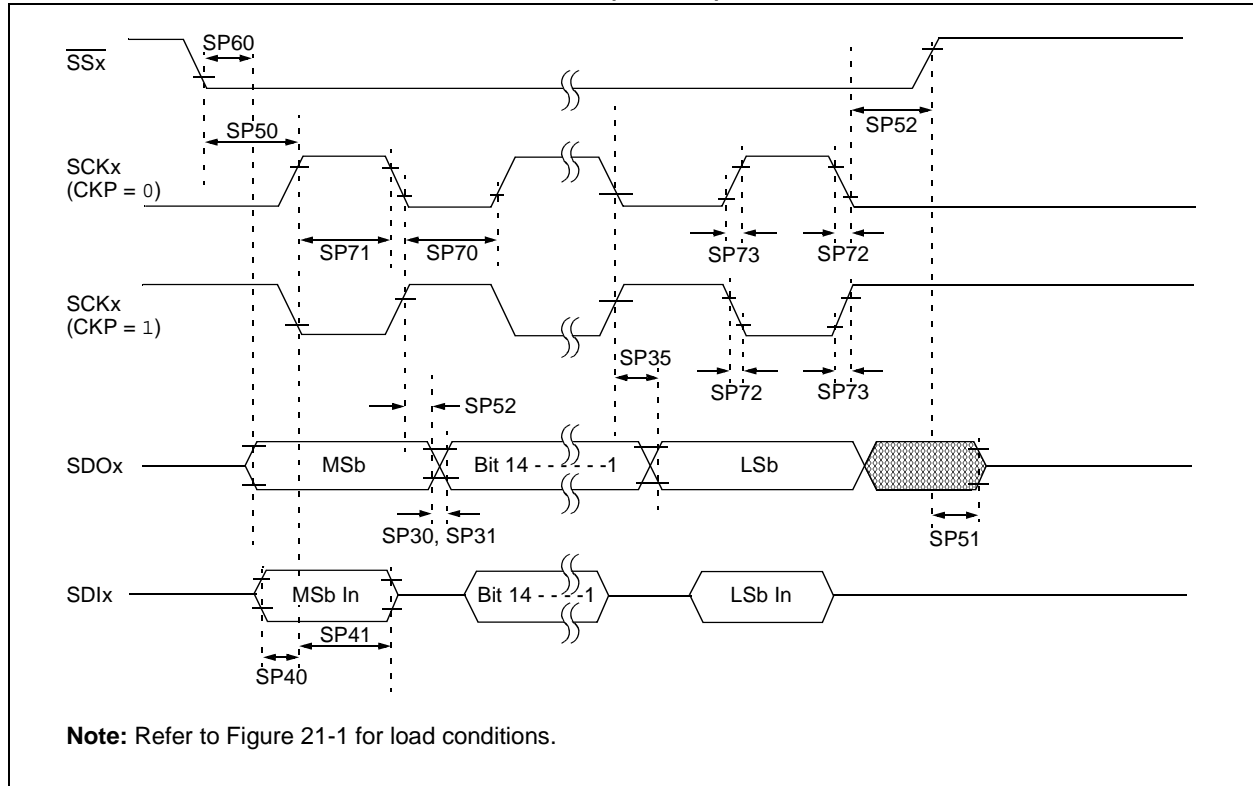
| AC CHARACTERISTICS | | | Standard Operating Conditions: 3.3V and 5.0V (±10%) (unless otherwise stated) Operating temperature -40°C ≤ TA ≤ +85°C for Industrial -40°C ≤ TA ≤ +125°C for Extended | | | | |
|--------------------|-----------------------|---|---|--------------------|-----|-------|--------------------|
| Param No. | Symbol | Characteristic ⁽¹⁾ | Min | Typ ⁽²⁾ | Max | Units | Conditions |
| SP70 | TscL | SCKx Input Low Time | 30 | — | — | ns | |
| SP71 | TscH | SCKx Input High Time | 30 | — | — | ns | |
| SP72 | TscF | SCKx Input Fall Time ⁽³⁾ | — | 10 | 25 | ns | |
| SP73 | TscR | SCKx Input Rise Time ⁽³⁾ | — | 10 | 25 | ns | |
| SP30 | TdoF | SDOx Data Output Fall Time ⁽³⁾ | — | — | — | ns | See Parameter D032 |
| SP31 | TdoR | SDOx Data Output Rise Time ⁽³⁾ | — | — | — | ns | See Parameter D031 |
| SP35 | Tsch2doV TscL2doV | SDOx Data Output Valid after SCKx Edge | — | — | 30 | ns | |
| SP40 | TdiV2sch, TdiV2scl | Setup Time of SDIx Data Input to SCKx Edge | 20 | — | — | ns | |
| SP41 | Tsch2diL, TscL2diL | Hold Time of SDIx Data Input to SCKx Edge | 20 | — | — | ns | |
| SP50 | TssL2sch, TssL2scl | SSx↓ to SCKx↑ or SCKx Input | 120 | — | — | ns | |
| SP51 | TssH2doZ | SSx↑ to SDOx Output High-Impedance ⁽³⁾ | 10 | — | 50 | ns | |
| SP52 | Tsch2ssH TscL2ssH | SSx after SCKx Edge | 1.5 Tcy + 40 | — | — | ns | |

Note 1: These parameters are characterized but not tested in manufacturing.

Note 2: Data in "Typ" column is at 5V, +25°C unless otherwise stated. Parameters are for design guidance only and are not tested.

Note 3: Assumes 50 pF load on all SPIx pins.

FIGURE 21-15: SPIx MODULE SLAVE MODE (CKE = 1) TIMING CHARACTERISTICS



dsPIC30F1010/202X

TABLE 21-30: SPIx MODULE SLAVE MODE (CKE = 1) TIMING REQUIREMENTS

| AC CHARACTERISTICS | | | Standard Operating Conditions: 3.3V and 5.0V (±10%) (unless otherwise stated) Operating temperature -40°C ≤ TA ≤ +85°C for Industrial -40°C ≤ TA ≤ +125°C for Extended | | | | |
|--------------------|-----------------------|---|---|--------------------|-----|-------|--------------------|
| Param No. | Symbol | Characteristic ⁽¹⁾ | Min | Typ ⁽²⁾ | Max | Units | Conditions |
| SP70 | TscL | SCKx Input Low Time | 30 | — | — | ns | |
| SP71 | Tsch | SCKx Input High Time | 30 | — | — | ns | |
| SP72 | TscF | SCKx Input Fall Time ⁽³⁾ | — | 10 | 25 | ns | |
| SP73 | TscR | SCKx Input Rise Time ⁽³⁾ | — | 10 | 25 | ns | |
| SP30 | TdoF | SDOx Data Output Fall Time ⁽³⁾ | — | — | — | ns | See Parameter D032 |
| SP31 | TdoR | SDOx Data Output Rise Time ⁽³⁾ | — | — | — | ns | See Parameter D031 |
| SP35 | Tsch2doV, TscL2doV | SDOx Data Output Valid after SCKx Edge | — | — | 30 | ns | |
| SP40 | TdiV2scH, TdiV2scL | Setup Time of SDIx Data Input to SCKx Edge | 20 | — | — | ns | |
| SP41 | Tsch2diL, TscL2diL | Hold Time of SDIx Data Input to SCKx Edge | 20 | — | — | ns | |
| SP50 | TssL2scH, TssL2scL | \overline{SSx} ↓ to SCKx↓ or SCKx↑ Input | 120 | — | — | ns | |
| SP51 | TssH2doZ | \overline{SSx} ↑ to SDOx Output High-Impedance ⁽⁴⁾ | 10 | — | 50 | ns | |
| SP52 | Tsch2ssH TscL2ssH | \overline{SSx} ↑ after SCKx Edge | 1.5 Tcy + 40 | — | — | ns | |
| SP60 | TssL2doV | SDOx Data Output Valid after \overline{SSx} Edge | — | — | 50 | ns | |

Note 1: These parameters are characterized but not tested in manufacturing.

Note 2: Data in “Typ” column is at 5V, +25°C unless otherwise stated. Parameters are for design guidance only and are not tested.

Note 3: The minimum clock period for SCKx is 100 ns. Therefore, the clock generated in Master mode must not violate this specification.

Note 4: Assumes 50 pF load on all SPIx pins.

FIGURE 21-16: I²C™ BUS START/STOP BITS TIMING CHARACTERISTICS (MASTER MODE)

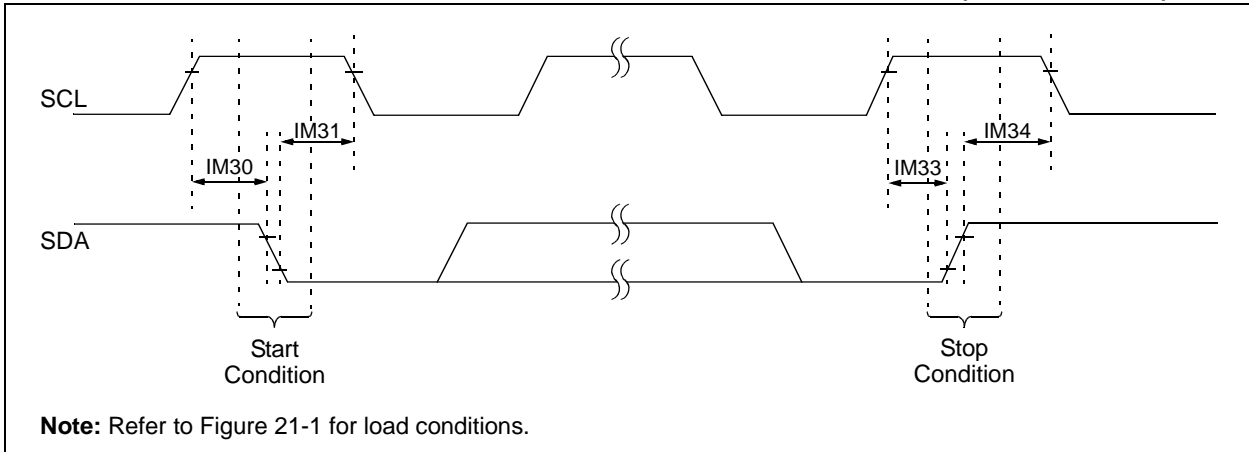
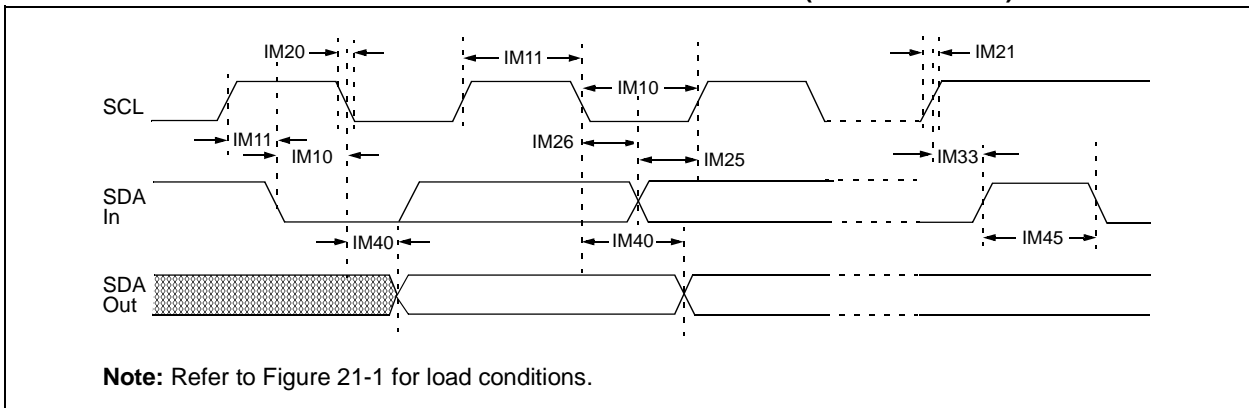


FIGURE 21-17: I²C™ BUS DATA TIMING CHARACTERISTICS (MASTER MODE)



dsPIC30F1010/202X

TABLE 21-31: I²C™ BUS DATA TIMING REQUIREMENTS (MASTER MODE)

| AC CHARACTERISTICS | | | | Standard Operating Conditions: 3.3V and 5.0V (±10%) (unless otherwise stated) Operating temperature -40°C ≤ Ta ≤ +85°C for Industrial -40°C ≤ Ta ≤ +125°C for Extended | | | |
|--------------------|---------|----------------------------|---------------------------|---|------|-------|---|
| Param No. | Symbol | Characteristic | | Min ⁽¹⁾ | Max | Units | Conditions |
| IM10 | TLO:SCL | Clock Low Time | 100 kHz mode | Tcy/2 (BRG + 1) | — | μs | |
| | | | 400 kHz mode | Tcy/2 (BRG + 1) | — | μs | |
| | | | 1 MHz mode ⁽²⁾ | Tcy/2 (BRG + 1) | — | μs | |
| IM11 | THI:SCL | Clock High Time | 100 kHz mode | Tcy/2 (BRG + 1) | — | μs | |
| | | | 400 kHz mode | Tcy/2 (BRG + 1) | — | μs | |
| | | | 1 MHz mode ⁽²⁾ | Tcy/2 (BRG + 1) | — | μs | |
| IM20 | TF:SCL | SDA and SCL Fall Time | 100 kHz mode | — | 300 | ns | Cb is specified to be from 10 to 400 pF |
| | | | 400 kHz mode | 20 + 0.1 Cb | 300 | ns | |
| | | | 1 MHz mode ⁽²⁾ | — | 100 | ns | |
| IM21 | TR:SCL | SDA and SCL Rise Time | 100 kHz mode | — | 1000 | ns | Cb is specified to be from 10 to 400 pF |
| | | | 400 kHz mode | 20 + 0.1 Cb | 300 | ns | |
| | | | 1 MHz mode ⁽²⁾ | — | 300 | ns | |
| IM25 | TSU:DAT | Data Input Setup Time | 100 kHz mode | 250 | — | ns | |
| | | | 400 kHz mode | 100 | — | ns | |
| | | | 1 MHz mode ⁽²⁾ | TBD | — | ns | |
| IM26 | THD:DAT | Data Input Hold Time | 100 kHz mode | 0 | — | ns | |
| | | | 400 kHz mode | 0 | 0.9 | μs | |
| | | | 1 MHz mode ⁽²⁾ | TBD | — | ns | |
| IM30 | TSU:STA | Start Condition Setup Time | 100 kHz mode | Tcy/2 (BRG + 1) | — | μs | Only relevant for Repeated Start condition |
| | | | 400 kHz mode | Tcy/2 (BRG + 1) | — | μs | |
| | | | 1 MHz mode ⁽²⁾ | Tcy/2 (BRG + 1) | — | μs | |
| IM31 | THD:STA | Start Condition Hold Time | 100 kHz mode | Tcy/2 (BRG + 1) | — | μs | After this period, the first clock pulse is generated |
| | | | 400 kHz mode | Tcy/2 (BRG + 1) | — | μs | |
| | | | 1 MHz mode ⁽²⁾ | Tcy/2 (BRG + 1) | — | μs | |
| IM33 | TSU:STO | Stop Condition Setup Time | 100 kHz mode | Tcy/2 (BRG + 1) | — | μs | |
| | | | 400 kHz mode | Tcy/2 (BRG + 1) | — | μs | |
| | | | 1 MHz mode ⁽²⁾ | Tcy/2 (BRG + 1) | — | μs | |
| IM34 | THD:STO | Stop Condition Hold Time | 100 kHz mode | Tcy/2 (BRG + 1) | — | ns | |
| | | | 400 kHz mode | Tcy/2 (BRG + 1) | — | ns | |
| | | | 1 MHz mode ⁽²⁾ | Tcy/2 (BRG + 1) | — | ns | |
| IM40 | TAA:SCL | Output Valid from Clock | 100 kHz mode | — | 3500 | ns | |
| | | | 400 kHz mode | — | 1000 | ns | |
| | | | 1 MHz mode ⁽²⁾ | — | — | ns | |
| IM45 | TBF:SDA | Bus Free Time | 100 kHz mode | 4.7 | — | μs | Time the bus must be free before a new transmission can start |
| | | | 400 kHz mode | 1.3 | — | μs | |
| | | | 1 MHz mode ⁽²⁾ | TBD | — | μs | |
| IM50 | Cb | Bus Capacitive Loading | — | 400 | pF | | |

Legend: TBD = To Be Determined

Note 1: BRG is the value of the I²C™ Baud Rate Generator. Refer to the “Inter-Integrated Circuit™ (I²C)” section in the “dsPIC30F Family Reference Manual” (DS70046).

2: Maximum pin capacitance = 10 pF for all I²C pins (for 1 MHz mode only).

FIGURE 21-18: I²C™ BUS START/STOP BITS TIMING CHARACTERISTICS (SLAVE MODE)

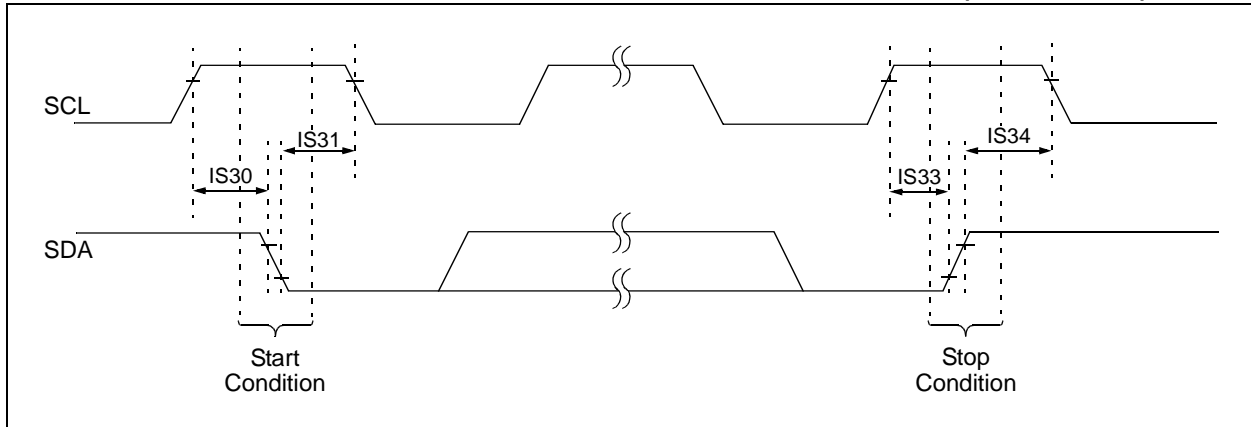
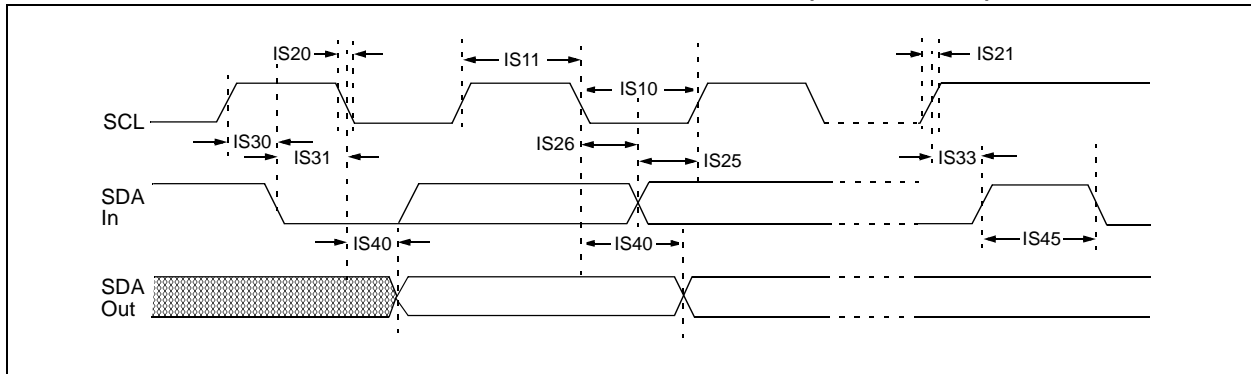


FIGURE 21-19: I²C™ BUS DATA TIMING CHARACTERISTICS (SLAVE MODE)



dsPIC30F1010/202X

TABLE 21-32: I²C™ BUS DATA TIMING REQUIREMENTS (SLAVE MODE)

| AC CHARACTERISTICS | | Standard Operating Conditions: 3.3V and 5.0V (±10%) (unless otherwise stated) Operating temperature -40°C ≤ TA ≤ +85°C for Industrial -40°C ≤ TA ≤ +125°C for Extended | | | | | |
|--------------------|---------|---|---------------------------|-------------|-------|------------|---|
| Param No. | Symbol | Characteristic | Min | Max | Units | Conditions | |
| IS10 | TLO:SCL | Clock Low Time | 100 kHz mode | 4.7 | — | μs | Device must operate at a minimum of 1.5 MHz |
| | | | 400 kHz mode | 1.3 | — | μs | Device must operate at a minimum of 10 MHz |
| | | | 1 MHz mode ⁽¹⁾ | 0.5 | — | μs | |
| IS11 | THI:SCL | Clock High Time | 100 kHz mode | 4.0 | — | μs | Device must operate at a minimum of 1.5 MHz |
| | | | 400 kHz mode | 0.6 | — | μs | Device must operate at a minimum of 10 MHz |
| | | | 1 MHz mode ⁽¹⁾ | 0.5 | — | μs | |
| IS20 | TF:SCL | SDA and SCL Fall Time | 100 kHz mode | — | 300 | ns | CB is specified to be from 10 to 400 pF |
| | | | 400 kHz mode | 20 + 0.1 CB | 300 | ns | |
| | | | 1 MHz mode ⁽¹⁾ | — | 100 | ns | |
| IS21 | TR:SCL | SDA and SCL Rise Time | 100 kHz mode | — | 1000 | ns | CB is specified to be from 10 to 400 pF |
| | | | 400 kHz mode | 20 + 0.1 CB | 300 | ns | |
| | | | 1 MHz mode ⁽¹⁾ | — | 300 | ns | |
| IS25 | TSU:DAT | Data Input Setup Time | 100 kHz mode | 250 | — | ns | |
| | | | 400 kHz mode | 100 | — | ns | |
| | | | 1 MHz mode ⁽¹⁾ | 100 | — | ns | |
| IS26 | THD:DAT | Data Input Hold Time | 100 kHz mode | 0 | — | ns | |
| | | | 400 kHz mode | 0 | 0.9 | μs | |
| | | | 1 MHz mode ⁽¹⁾ | 0 | 0.3 | μs | |
| IS30 | TSU:STA | Start Condition Setup Time | 100 kHz mode | 4.7 | — | μs | Only relevant for Repeated Start condition |
| | | | 400 kHz mode | 0.6 | — | μs | |
| | | | 1 MHz mode ⁽¹⁾ | 0.25 | — | μs | |
| IS31 | THD:STA | Start Condition Hold Time | 100 kHz mode | 4.0 | — | μs | After this period, the first clock pulse is generated |
| | | | 400 kHz mode | 0.6 | — | μs | |
| | | | 1 MHz mode ⁽¹⁾ | 0.25 | — | μs | |
| IS33 | TSU:STO | Stop Condition Setup Time | 100 kHz mode | 4.7 | — | μs | |
| | | | 400 kHz mode | 0.6 | — | μs | |
| | | | 1 MHz mode ⁽¹⁾ | 0.6 | — | μs | |
| IS34 | THD:STO | Stop Condition Hold Time | 100 kHz mode | 4000 | — | ns | |
| | | | 400 kHz mode | 600 | — | ns | |
| | | | 1 MHz mode ⁽¹⁾ | 250 | — | ns | |
| IS40 | TAA:SCL | Output Valid from Clock | 100 kHz mode | 0 | 3500 | ns | |
| | | | 400 kHz mode | 0 | 1000 | ns | |
| | | | 1 MHz mode ⁽¹⁾ | 0 | 350 | ns | |
| IS45 | TBF:SDA | Bus Free Time | 100 kHz mode | 4.7 | — | μs | Time the bus must be free before a new transmission can start |
| | | | 400 kHz mode | 1.3 | — | μs | |
| | | | 1 MHz mode ⁽¹⁾ | 0.5 | — | μs | |
| IS50 | CB | Bus Capacitive Loading | — | 400 | pF | | |

Note 1: Maximum pin capacitance = 10 pF for all I²C™ pins (for 1 MHz mode only).

TABLE 21-33: 10-BIT HIGH-SPEED A/D MODULE SPECIFICATIONS

| AC CHARACTERISTICS | | | Standard Operating Conditions: 3.3V and 5.0V (±10%) (unless otherwise stated) Operating temperature -40°C ≤ TA ≤ +85°C for Industrial -40°C ≤ TA ≤ +125°C for Extended | | | | |
|----------------------|-----------|--|---|--------|-----------------------------------|-------|--|
| Param No. | Symbol | Characteristic | Min. | Typ | Max. | Units | Conditions |
| Device Supply | | | | | | | |
| AD01 | AVDD | Module VDD Supply | Greater of: VDD – 0.3 or 2.7 | | Lesser of: VDD + 0.3 or 5.5 | V | |
| AD02 | AVSS | Module Vss Supply | Vss – 0.3 | | Vss + 0.3 | V | |
| Analog Input | | | | | | | |
| AD10 | VINH-VINL | Full-Scale Input Span | Vss | | VDD | V | |
| AD11 | VIN | Absolute Input Voltage | AVSS – 0.3 | | AVDD + 0.3 | V | |
| AD12 | — | Leakage Current | — | ±0.001 | ±0.244 | μA | VINL = AVSS = 0V, AVDD = 5V, Source Impedance = 1 kΩ |
| AD13 | — | Leakage Current | — | ±0.001 | ±0.244 | μA | VINL = AVSS = 0V, AVDD = 3.3V, Source Impedance = 1 kΩ |
| AD17 | RIN | Recommended Impedance of Analog Voltage Source | — | | 1K | Ω | |
| DC Accuracy | | | | | | | |
| AD20 | Nr | Resolution | 10 data bits | | | bits | |
| AD21 | INL | Integral Nonlinearity | — | ±0.5 | < ±1 | LSb | VINL = AVSS = 0V, AVDD = 5V |
| AD21A | INL | Integral Nonlinearity | — | ±0.5 | < ±1 | LSb | VINL = AVSS = 0V, AVDD = 3.3V |
| AD22 | DNL | Differential Nonlinearity | — | ±0.5 | < ±1 | LSb | VINL = AVSS = 0V, AVDD = 5V |
| AD22A | DNL | Differential Nonlinearity | — | ±0.5 | < ±1 | LSb | VINL = AVSS = 0V, AVDD = 3.3V |
| AD23 | GERR | Gain Error | — | ±0.75 | <±4.0 | LSb | VINL = AVSS = 0V, AVDD = 5V |
| AD23A | GERR | Gain Error | — | ±0.75 | <±3.0 | LSb | VINL = AVSS = 0V, AVDD = 3.3V |

- Note 1:** Because the sample caps will eventually lose charge, clock rates below 10 kHz can affect linearity performance, especially at elevated temperatures.
- 2:** The A/D conversion result never decreases with an increase in the input voltage, and has no missing codes.

dsPIC30F1010/202X

TABLE 21-33: 10-BIT HIGH-SPEED A/D MODULE SPECIFICATIONS (CONTINUED)

| AC CHARACTERISTICS | | | Standard Operating Conditions: 3.3V and 5.0V ($\pm 10\%$) (unless otherwise stated) Operating temperature $-40^{\circ}\text{C} \leq T_A \leq +85^{\circ}\text{C}$ for Industrial $-40^{\circ}\text{C} \leq T_A \leq +125^{\circ}\text{C}$ for Extended | | | | |
|---------------------|------------------|--------------------------------|---|------------|-------------|-------|--|
| Param No. | Symbol | Characteristic | Min. | Typ | Max. | Units | Conditions |
| AD24 | E _{OFF} | Offset Error | — | ± 0.75 | $< \pm 2.0$ | LSb | V _{INL} = AV _{SS} = V _{SS} = 0V, AV _{DD} = V _{DD} = 5V |
| AD24A | E _{OFF} | Offset Error | — | ± 0.75 | $< \pm 2.0$ | LSb | V _{INL} = AV _{SS} = V _{SS} = 0V, AV _{DD} = V _{DD} = 3.3V |
| AD25 | — | Monotonicity ⁽²⁾ | — | — | — | — | Guaranteed |
| Dynamic Performance | | | | | | | |
| AD30 | THD | Total Harmonic Distortion | -77 | -73 | -68 | dB | |
| AD31 | SINAD | Signal to Noise and Distortion | — | 58 | — | dB | |
| AD32 | SFDR | Spurious Free Dynamic Range | — | -73 | — | dB | |
| AD33 | F _{NYQ} | Input Signal Bandwidth | — | — | 0.5 | MHz | |
| AD34 | ENOB | Effective Number of Bits | — | 9.4 | — | bits | |

- Note 1:** Because the sample caps will eventually lose charge, clock rates below 10 kHz can affect linearity performance, especially at elevated temperatures.
- 2:** The A/D conversion result never decreases with an increase in the input voltage, and has no missing codes.

FIGURE 21-20: A/D CONVERSION TIMING PER INPUT

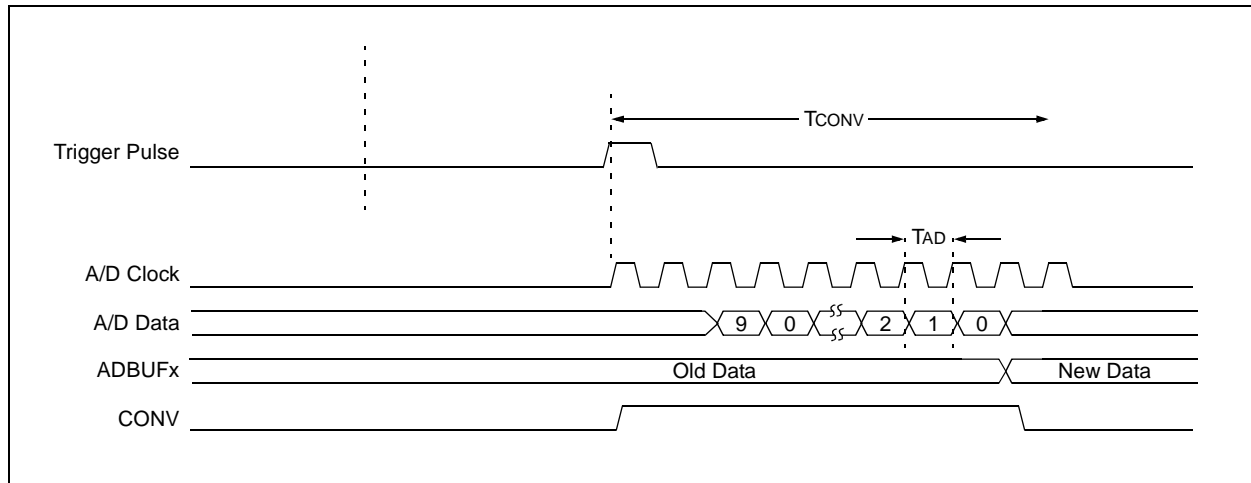


TABLE 21-34: COMPARATOR OPERATING CONDITIONS

| Symbol | Characteristic | Min | Typ | Max | Units | Comments |
|--------|-------------------|-----|-----|-----|-------|---|
| VDD | Voltage Range | 3.0 | — | 3.6 | V | Operating range of 3.0 V-3.6V |
| VDD | Voltage Range | 4.5 | — | 5.5 | V | Operating range of 4.5 V-5.5 V |
| TEMP | Temperature Range | -40 | — | 105 | °C | Note that junction temperature can exceed +125°C under these ambient conditions |

TABLE 21-35: COMPARATOR AC AND DC SPECIFICATIONS

| Standard Operating Conditions (unless otherwise stated) Operating temperature: $-40^{\circ}\text{C} \leq T_A \leq +105^{\circ}\text{C}$ | | | | | | |
|--|---------------------------------|-----|-----|----------------|-------|---|
| Symbol | Characteristic | Min | Typ | Max | Units | Comments |
| VIOFF | Input offset voltage | — | ±5 | ±15 | mV | |
| VICM | Input Common-Mode Voltage Range | 0 | — | $V_{DD} - 1.5$ | V | |
| VGAIN | Open Loop Gain | 90 | — | — | db | |
| CMRR | Common-Mode Rejection Ratio | 70 | — | — | db | |
| TRESP | Large Signal Response | — | 20 | 30 | ns | V+ input step of 100 mv, while V- input held at $AV_{DD}/2$. Delay measured from analog input pin to PWM output pin. |

TABLE 21-36: DAC DC SPECIFICATIONS

| Standard Operating Conditions (unless otherwise stated) Operating temperature: $-40^{\circ}\text{C} \leq T_A \leq +105^{\circ}\text{C}$ | | | | | | |
|--|---------------------------------|-----|-----|-----------------|-------|---|
| Symbol | Characteristic | Min | Typ | Max | Units | Comments |
| CVRSRC | Input Reference Voltage | 0 | — | $AV_{DD} - 1.6$ | V | |
| CVRES | Resolution | — | 10 | — | Bits | |
| INL | Transfer Function Accuracy | — | — | ±1 | LSB | $AV_{DD} = 5\text{ V}$, $DACREF = (AV_{DD}/2)\text{ V}$ |
| DNL | Integral Nonlinearity Error | — | — | ±0.8 | LSB | |
| | Differential Nonlinearity Error | — | — | ±2 | LSB | |
| | Offset Error | — | — | ±2.0 | LSB | |
| | Gain Error | — | — | ±2.0 | LSB | |

TABLE 21-37: DAC AC SPECIFICATIONS

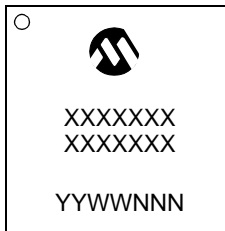
| Standard Operating Conditions (unless otherwise stated) Operating temperature: $-40^{\circ}\text{C} \leq T_A \leq +125^{\circ}\text{C}$ | | | | | | |
|--|----------------|-----|-----|-----|-------|---|
| Symbol | Characteristic | Min | Typ | Max | Units | Comments |
| TSET | Settling Time | — | — | 2.0 | µs | Measured when range = 1 (High Range) and CMREF<9:0> transitions from 0x1FF to 0x300 |

dsPIC30F1010/202X

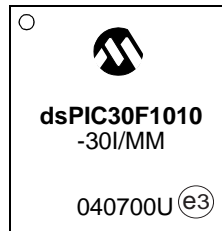
NOTES:

22.0 PACKAGE MARKING INFORMATION

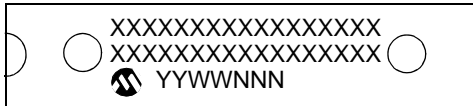
28-Lead QFN-S



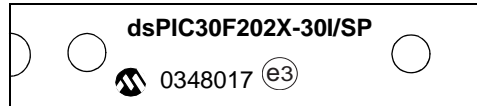
Example



28-Lead PDIP (Skinny DIP)



Example



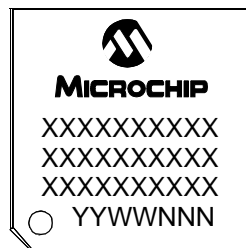
28-Lead SOIC



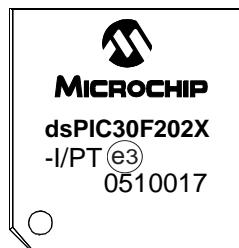
Example



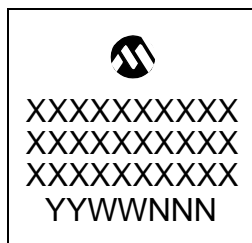
44-Lead TQFP



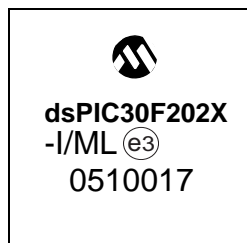
Example



44-Lead QFN



Example

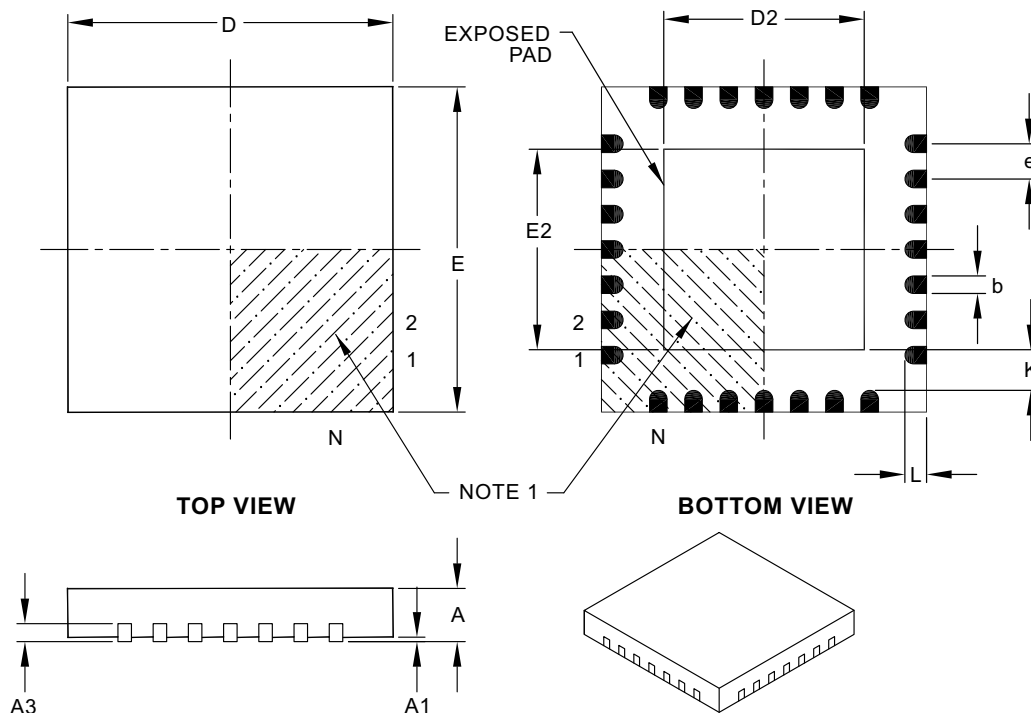


| | | |
|----------------|--------|--|
| Legend: | XX...X | Customer-specific information |
| | (e3) | Year code (last digit of calendar year) |
| | YY | Year code (last 2 digits of calendar year) |
| | WW | Week code (week of January 1 is week '01') |
| | NNN | Alphanumeric traceability code |
| | * | Pb-free JEDEC designator for Matte Tin (Sn) |
| | | This package is Pb-free. The Pb-free JEDEC designator (e3) can be found on the outer packaging for this package. |

dsPIC30F1010/202X

28-Lead Plastic Quad Flat, No Lead Package (MM) - 6x6x0.9 mm Body (QFN-S) With 0.40 mm Contact Length

Note: For the most current package drawings, please see the Microchip Packaging Specification located at <http://www.microchip.com/packaging>



| Dimension | Units | MILLIMETERS | | |
|--------------------------|-------|-------------|------|------|
| | | MIN | NOM | MAX |
| Number of Pins | N | 28 | | |
| Pitch | e | 0.65 BSC | | |
| Overall Height | A | 0.80 | 0.90 | 1.00 |
| Standoff | A1 | 0.00 | 0.02 | 0.05 |
| Contact Thickness | A3 | 0.20 REF | | |
| Overall Width | E | 6.00 BSC | | |
| Exposed Pad Width | E2 | 3.65 | 3.70 | 4.70 |
| Overall Length | D | 6.00 BSC | | |
| Exposed Pad Length | D2 | 3.65 | 3.70 | 4.70 |
| Contact Width | b | 0.23 | 0.38 | 0.43 |
| Contact Length § | L | 0.30 | 0.40 | 0.50 |
| Contact-to-Exposed Pad § | K | 0.20 | — | — |

Notes:

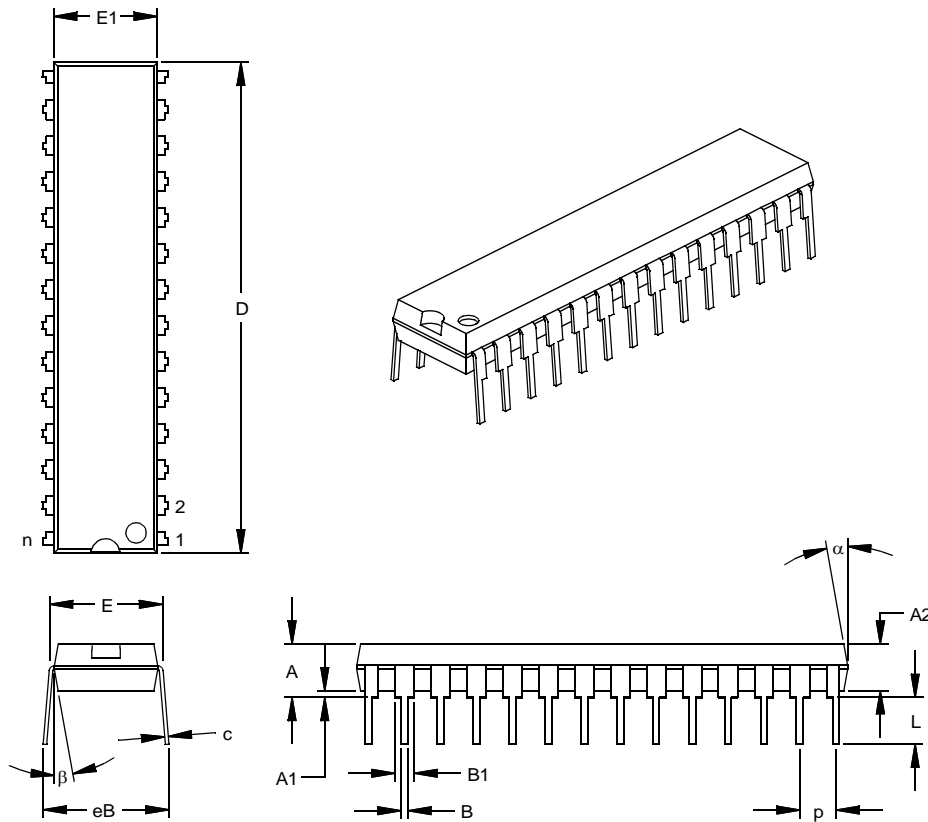
- Pin 1 visual index feature may vary, but must be located within the hatched area.
- § Significant Characteristic
- Package is saw singulated
- Dimensioning and tolerancing per ASME Y14.5M
BSC: Basic Dimension. Theoretically exact value shown without tolerances.
REF: Reference Dimension, usually without tolerance, for information purposes only.

□ □ □ □ □ Microchip Technology Drawing No. C04-124, Sept. 8, 2006

dsPIC30F1010/202X

28-Lead Skinny Plastic Dual In-line (SP) – 300 mil Body (PDIP)

Note: For the most current package drawings, please see the Microchip Packaging Specification located at <http://www.microchip.com/packaging>



| Dimension Limits | Units | INCHES* | | | MILLIMETERS | | |
|----------------------------|-------|---------|-------|-------|-------------|-------|-------|
| | | MIN | NOM | MAX | MIN | NOM | MAX |
| Number of Pins | n | 28 | | | 28 | | |
| Pitch | p | | .100 | | | 2.54 | |
| Top to Seating Plane | A | .140 | .150 | .160 | 3.56 | 3.81 | 4.06 |
| Molded Package Thickness | A2 | .125 | .130 | .135 | 3.18 | 3.30 | 3.43 |
| Base to Seating Plane | A1 | .015 | | | 0.38 | | |
| Shoulder to Shoulder Width | E | .300 | .310 | .325 | 7.62 | 7.87 | 8.26 |
| Molded Package Width | E1 | .275 | .285 | .295 | 6.99 | 7.24 | 7.49 |
| Overall Length | D | 1.345 | 1.365 | 1.385 | 34.16 | 34.67 | 35.18 |
| Tip to Seating Plane | L | .125 | .130 | .135 | 3.18 | 3.30 | 3.43 |
| Lead Thickness | c | .008 | .012 | .015 | 0.20 | 0.29 | 0.38 |
| Upper Lead Width | B1 | .040 | .053 | .065 | 1.02 | 1.33 | 1.65 |
| Lower Lead Width | B | .016 | .019 | .022 | 0.41 | 0.48 | 0.56 |
| Overall Row Spacing | § eB | .320 | .350 | .430 | 8.13 | 8.89 | 10.92 |
| Mold Draft Angle Top | α | 5 | 10 | 15 | 5 | 10 | 15 |
| Mold Draft Angle Bottom | β | 5 | 10 | 15 | 5 | 10 | 15 |

* Controlling Parameter

§ Significant Characteristic

Notes:

Dimension D and E1 do not include mold flash or protrusions. Mold flash or protrusions shall not exceed .010" (0.254mm) per side.

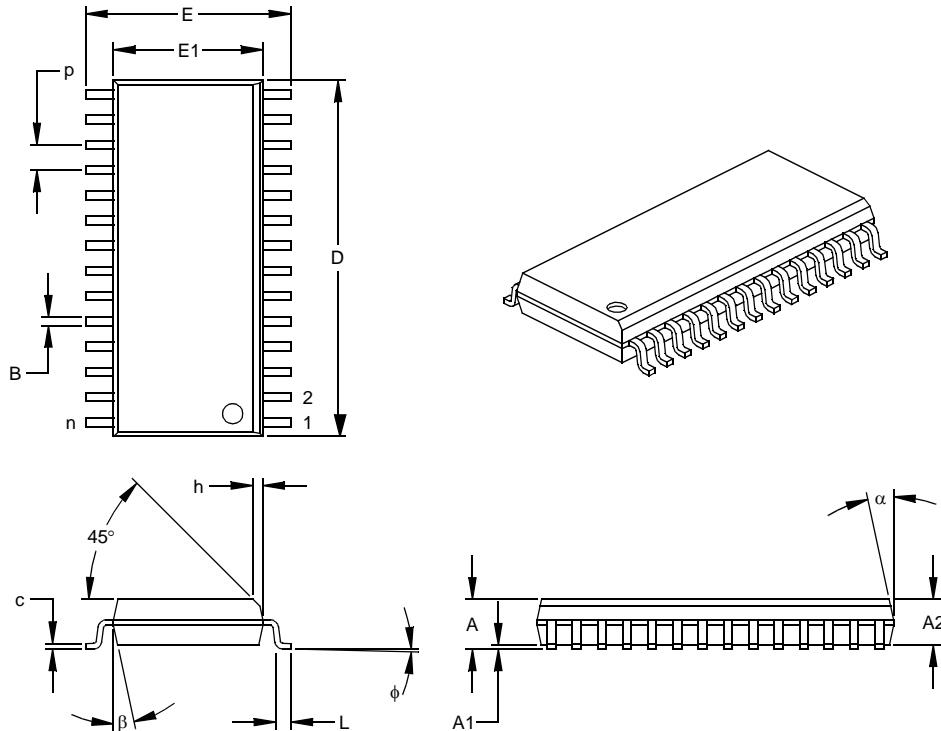
JEDEC Equivalent: MO-095

Drawing No. C04-070

dsPIC30F1010/202X

28-Lead Plastic Small Outline (SO) – Wide, 300 mil Body (SOIC)

Note: For the most current package drawings, please see the Microchip Packaging Specification located at <http://www.microchip.com/packaging>



| Dimension Limits | Units | INCHES* | | | MILLIMETERS | | |
|--------------------------|-------|---------|------|------|-------------|-------|-------|
| | n | MIN | NOM | MAX | MIN | NOM | MAX |
| Number of Pins | n | 28 | | | 28 | | |
| Pitch | p | | .050 | | | 1.27 | |
| Overall Height | A | .093 | .099 | .104 | 2.36 | 2.50 | 2.64 |
| Molded Package Thickness | A2 | .088 | .091 | .094 | 2.24 | 2.31 | 2.39 |
| Standoff § | A1 | .004 | .008 | .012 | 0.10 | 0.20 | 0.30 |
| Overall Width | E | .394 | .407 | .420 | 10.01 | 10.34 | 10.67 |
| Molded Package Width | E1 | .288 | .295 | .299 | 7.32 | 7.49 | 7.59 |
| Overall Length | D | .695 | .704 | .712 | 17.65 | 17.87 | 18.08 |
| Chamfer Distance | h | .010 | .020 | .029 | 0.25 | 0.50 | 0.74 |
| Foot Length | L | .016 | .033 | .050 | 0.41 | 0.84 | 1.27 |
| Foot Angle Top | φ | 0 | 4 | 8 | 0 | 4 | 8 |
| Lead Thickness | c | .009 | .011 | .013 | 0.23 | 0.28 | 0.33 |
| Lead Width | B | .014 | .017 | .020 | 0.36 | 0.42 | 0.51 |
| Mold Draft Angle Top | α | 0 | 12 | 15 | 0 | 12 | 15 |
| Mold Draft Angle Bottom | β | 0 | 12 | 15 | 0 | 12 | 15 |

* Controlling Parameter

§ Significant Characteristic

Notes:

Dimensions D and E1 do not include mold flash or protrusions. Mold flash or protrusions shall not exceed .010" (0.254mm) per side.

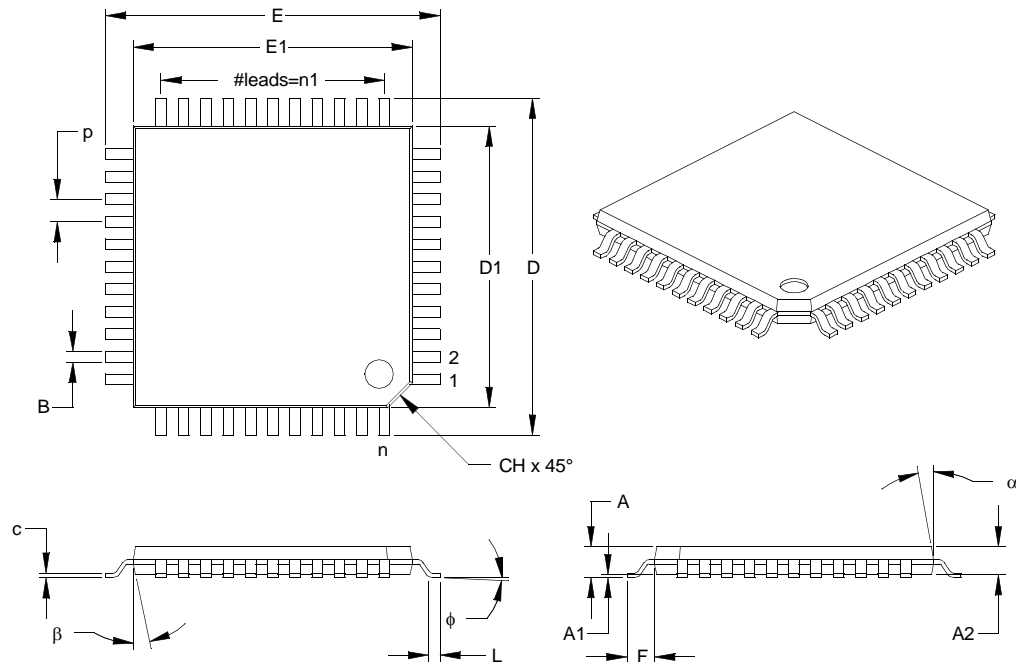
JEDEC Equivalent: MS-013

Drawing No. C04-052

dsPIC30F1010/202X

44-Lead Plastic Thin Quad Flatpack (PT) 10x10x1 mm Body, 1.0/0.10 mm Lead Form (TQFP)

Note: For the most current package drawings, please see the Microchip Packaging Specification located at <http://www.microchip.com/packaging>



| Dimension Limits | Units | INCHES | | | MILLIMETERS* | | |
|--------------------------|-------|-----------|------|------|--------------|-------|-------|
| | | MIN | NOM | MAX | MIN | NOM | MAX |
| Number of Pins | n | 44 | | | 44 | | |
| Pitch | p | .031 | | | 0.80 | | |
| Pins per Side | n1 | 11 | | | 11 | | |
| Overall Height | A | .039 | .043 | .047 | 1.00 | 1.10 | 1.20 |
| Molded Package Thickness | A2 | .037 | .039 | .041 | 0.95 | 1.00 | 1.05 |
| Standoff | A1 | .002 | .004 | .006 | 0.05 | 0.10 | 0.15 |
| Foot Length | L | .018 | .024 | .030 | 0.45 | 0.60 | 0.75 |
| Footprint (Reference) | F | .039 REF. | | | 1.00 REF. | | |
| Foot Angle | φ | 0 | 3.5 | 7 | 0 | 3.5 | 7 |
| Overall Width | E | .463 | .472 | .482 | 11.75 | 12.00 | 12.25 |
| Overall Length | D | .463 | .472 | .482 | 11.75 | 12.00 | 12.25 |
| Molded Package Width | E1 | .390 | .394 | .398 | 9.90 | 10.00 | 10.10 |
| Molded Package Length | D1 | .390 | .394 | .398 | 9.90 | 10.00 | 10.10 |
| Lead Thickness | c | .004 | .006 | .008 | 0.09 | 0.15 | 0.20 |
| Lead Width | B | .012 | .015 | .017 | 0.30 | 0.38 | 0.44 |
| Pin 1 Corner Chamfer | CH | .025 | .035 | .045 | 0.64 | 0.89 | 1.14 |
| Mold Draft Angle Top | α | 5 | 10 | 15 | 5 | 10 | 15 |
| Mold Draft Angle Bottom | β | 5 | 10 | 15 | 5 | 10 | 15 |

* Controlling Parameter

Notes:

Dimensions D and E1 do not include mold flash or protrusions. Mold flash or protrusions shall not exceed .010" (0.254mm) per side.

REF: Reference Dimension, usually without tolerance, for information purposes only.

See ASME Y14.5M

JEDEC Equivalent: MS-026

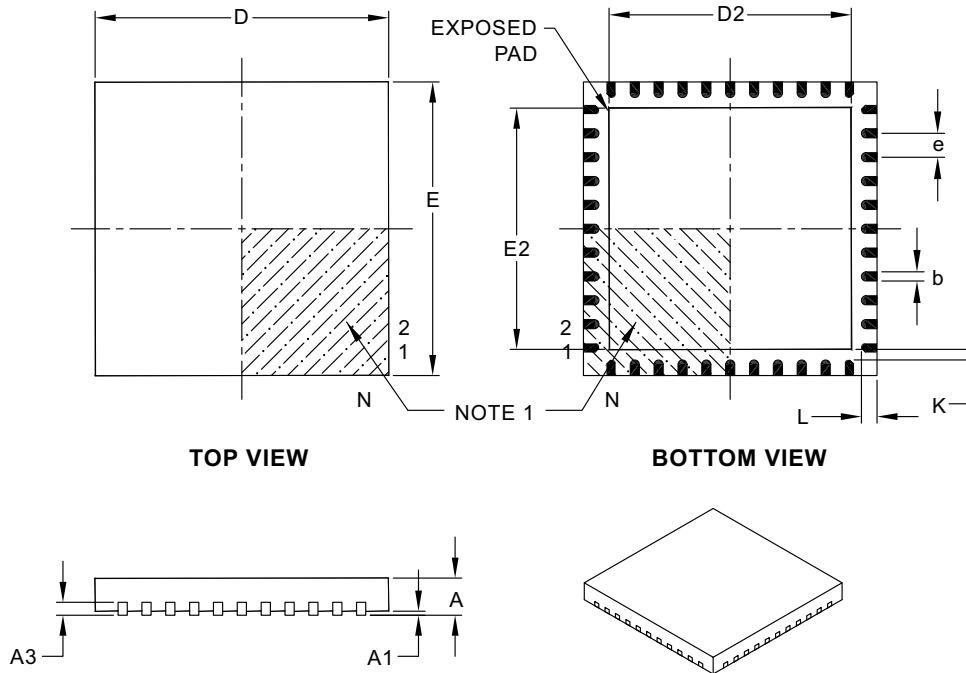
Drawing No. C04-076

Revised 07-22-05

dsPIC30F1010/202X

44-Lead Plastic Quad Flat, No Lead Package (ML) - 8x8 mm Body (QFN)

Note: For the most current package drawings, please see the Microchip Packaging Specification located at <http://www.microchip.com/packaging>



| Dimension | Units | MILLIMETERS | | |
|--------------------------|-------|-------------|------|------|
| | | MIN | NOM | MAX |
| Number of Pins | N | 44 | | |
| Pitch | e | 0.65 BSC | | |
| Overall Height | A | 0.80 | 0.90 | 1.00 |
| Standoff | A1 | 0.00 | 0.02 | 0.05 |
| Contact Thickness | A3 | 0.20 REF | | |
| Overall Width | E | 8.00 BSC | | |
| Exposed Pad Width | E2 | 6.30 | 6.45 | 6.80 |
| Overall Length | D | 8.00 BSC | | |
| Exposed Pad Length | D2 | 6.30 | 6.45 | 6.80 |
| Contact Width | b | 0.25 | 0.30 | 0.38 |
| Contact Length § | L | 0.30 | 0.40 | 0.50 |
| Contact-to-Exposed Pad § | K | 0.20 | — | — |

Notes:

1. Pin 1 visual index feature may vary, but must be located within the hatched area.
2. § Significant Characteristic
3. Package is saw singulated
4. Dimensioning and tolerancing per ASME Y14.5M
 BSC: Basic Dimension. Theoretically exact value shown without tolerances.
 REF: Reference Dimension, usually without tolerance, for information purposes only.

□ □ □ □ Microchip Technology Drawing No. C04-103, Sept. 8, 2006

THE MICROCHIP WEB SITE

Microchip provides online support via our WWW site at www.microchip.com. This web site is used as a means to make files and information easily available to customers. Accessible by using your favorite Internet browser, the web site contains the following information:

- **Product Support** – Data sheets and errata, application notes and sample programs, design resources, user's guides and hardware support documents, latest software releases and archived software
- **General Technical Support** – Frequently Asked Questions (FAQ), technical support requests, online discussion groups, Microchip consultant program member listing
- **Business of Microchip** – Product selector and ordering guides, latest Microchip press releases, listing of seminars and events, listings of Microchip sales offices, distributors and factory representatives

CUSTOMER CHANGE NOTIFICATION SERVICE

Microchip's customer notification service helps keep customers current on Microchip products. Subscribers will receive e-mail notification whenever there are changes, updates, revisions or errata related to a specified product family or development tool of interest.

To register, access the Microchip web site at www.microchip.com. Under "Support", click on "Customer Change Notification" and follow the registration instructions.

CUSTOMER SUPPORT

Users of Microchip products can receive assistance through several channels:

- Distributor or Representative
- Local Sales Office
- Field Application Engineer (FAE)
- Technical Support

Customers should contact their distributor, representative or Field Application Engineer (FAE) for support. Local sales offices are also available to help customers. A listing of sales offices and locations is included in the back of this document.

Technical support is available through the web site at: <http://microchip.com/support>

dsPIC30F1010/202X

NOTES:

APPENDIX A: REVISION HISTORY

Revision A (June 2006)

- Initial release of this document.

Revision B (August 2006)

This revision includes:

Updated **Section 5.0 “Interrupts”** to include INTTREG register.

Updated device configuration registers to include FBS Boot Code Segment and FOSCEL Oscillator Selection configuration registers (see **Section 18.10 “Device Configuration Registers”**).

Updated Electrical Characteristics:

- IDLE Parameter DC43f Max Value revised to 87 ma (see Table 21-6)

Typographical corrections:

- dsPIC30F1010/2020 Port Registers (see Table 6-1)
 - TRISA SFR bit 9 corrected to “TRISA9”
 - TRISD SFR Reset State corrected to “0000 0000 0000 0011”
- dsPIC30F2023 Port Registers (see Table 6-2)
 - TRISA SFR bit 0 corrected to “unused”
 - PORTA SFR bit 0 corrected to “unused”
 - LATA SFR bit 0 corrected to “unused”
 - TRISD SFR bit 0 corrected to “TRISD0”
 - PORTD SFR bit 0 corrected to “RD0”
 - LATD SFR bit 0 corrected to “LATD0”
 - TRISD SFR reset state corrected to “0000 0000 0000 0011”
- dsPIC30F1010/202X CNEN1 SFR reset state corrected to “0000 0000 0000 0000” (see Table 6-3)
- PWMCONx (see Register 12-5)
 - Bit 13 description corrected to “TRGSTAT”
 - Bit 10 description corrected to “TRGIEN”
- ALTDTRx (see Register 12-9)
 - Bits 15-14 corrected to “unused”
- ADCPC1 (see Register 16-6)
 - TRGSRC2<4:0> corrected to include bit 4

Revision C (November 2006)

This revision includes:

Updated RC, EC and HS Crystal operating frequencies for Industrial and Extended Temperatures.

Revised SPI section to reflect updated operating frequencies (see **Section 13.0 “Serial Peripheral Interface (SPI)”**).

Revised oscillator configurations (see **Section 18.3 “Oscillator Configurations”**).

Updated Electrical Characteristics:

- Supply voltage parameter DC11 minimum value changed to 3.0V (see Table 21-4)
- Operating current (IDD) (see Table 21-5)
- Idle current (IDLE) (see Table 21-6)
- I/O Pin Input specifications (see Table 21-8)
- I/O Pin Output specifications (see Table 21-9)
- External Clock Timing (see Figure 21-2 and Table 21-12)
- PLL Clock Timing (see Table 21-13)
- Internal RC Accuracy (see Table 21-15)
- Power-up Timer Period (see Table 21-18)

Revision D (March 2014)

Removed the ‘Preliminary’ status from the data sheet.

dsPIC30F1010/202X

NOTES:

INDEX

A

| | |
|---|-----|
| A/D | 169 |
| Configuring Analog Port | 188 |
| A/D Control Register (ADCON) | 171 |
| A/D Convert Pair Control Register #0 (ADCPC0) | 175 |
| A/D Convert Pair Control Register #1 (ADCPC1) | 177 |
| A/D Convert Pair Control Register #2 (ADCPC2) | 179 |
| A/D Port Configuration Register (ADPCFG) | 174 |
| A/D Status Register (ADSTAT) | 173 |
| AC Characteristics | 240 |
| Load Conditions | 240 |
| AC Temperature and Voltage Specifications | 240 |
| ADC Register Map | 190 |
| Address Generator Units | 41 |
| Alternate Vector Table | 51 |
| Analog Comparator Control Register Map | 195 |
| Assembler | |
| MPASM Assembler | 228 |
| Automatic Clock Stretch | 156 |
| During 10-bit Addressing (STREN = 1) | 156 |
| During 7-bit Addressing (STREN = 1) | 156 |
| Receive Mode | 156 |
| Transmit Mode | 156 |

B

| | |
|--|-----|
| Band Gap Start-up Time | |
| Requirements | 248 |
| Timing Characteristics | 248 |
| Barrel Shifter | 27 |
| Baud Rate Error Calculation (BRGH = 0) | 162 |
| Bit-Reversed Addressing | 45 |
| Example | 45 |
| Implementation | 45 |
| Modifier Values (table) | 46 |
| Sequence Table (16-Entry) | 46 |
| Block Diagrams | |
| 16-bit Timer1 Module | 88 |
| DSP Engine | 24 |
| dsPIC30F1010 | 10 |
| dsPIC30F2020 | 13 |
| dsPIC30F2023 | 16 |
| External Power-on Reset Circuit | 212 |
| I ² C | 154 |
| Input Capture Mode | 97 |
| Oscillator System | 198 |
| Output Compare Mode | 101 |
| Reset System | 210 |
| Shared Port Structure | 77 |
| SPI | 146 |
| UART | 161 |

C

| | |
|---|-----|
| C Compilers | |
| MPLAB XC Compilers | 228 |
| CLKO and I/O Timing | |
| Characteristics | 245 |
| Requirements | 245 |
| Code Examples | |
| Erasing a Row of Program Memory | 83 |
| Initiating a Programming Sequence | 84 |
| Loading Write Latches | 84 |
| Code Protection | 197 |
| Comparator Control x Register (CMPCONx) | 193 |

| | |
|---|--------|
| Comparator DAC Control x Register (CMPDACx) | 194 |
| Configuring Analog Port Pins | 78 |
| Control Registers | 82 |
| NVMADR | 82 |
| NVMADRU | 82 |
| NVMCON | 82 |
| NVMKEY | 82 |
| Core Architecture | |
| Overview | 19 |
| Core Register Map | 37, 38 |
| Customer Change Notification Service | 273 |
| Customer Notification Service | 273 |
| Customer Support | 273 |

D

| | |
|---|--------|
| Data Access from Program Memory Using | |
| Program Space Visibility | 32 |
| Data Accumulators and Adder/Subtractor | 25 |
| Data Space Write Saturation | 27 |
| Overflow and Saturation | 25 |
| Round Logic | 26 |
| Write Back | 26 |
| Data Address Space | 33 |
| Alignment | 36 |
| Alignment (Figure) | 36 |
| MCU and DSP (MAC Class) Instructions | 35 |
| Memory Map | 33, 34 |
| Near Data Space | 37 |
| Software Stack | 37 |
| Spaces | 36 |
| Width | 36 |
| DC Characteristics | |
| I/O Pin Input Specifications | 238 |
| I/O Pin Output Specifications | 239 |
| Idle Current (I _{IDLE}) | 235 |
| Operating Current (I _{DD}) | 233 |
| Power-Down Current (I _{PD}) | 237 |
| Program and EEPROM | 239 |
| Demo/Development Boards, Evaluation and | |
| Starter Kits | 230 |
| Development Support | 227 |
| Third-Party Tools | 230 |
| Device Configuration Register Map | 218 |
| Device Configuration Registers | 215 |
| Device Overview | 9 |
| Divide Support | 22 |
| DSP Engine | 23 |
| Multiplier | 25 |
| dsPIC30F2020 Block Diagram | 13 |
| Dual Output Compare Match Mode | 102 |
| Continuous Pulse Mode | 102 |
| Single Pulse Mode | 102 |

E

| | |
|---------------------------------|-----|
| Electrical Characteristics | 231 |
| AC | 240 |
| Equations | |
| I ² C | 158 |
| Relationship Between Device and | |
| SPI Clock Speed | 148 |
| UART Baud Rate with BRGH = 0 | 162 |
| UART Baud Rate with BRGH = 1 | 162 |
| Errata | 8 |

dsPIC30F1010/202X

| | | | |
|--|-----|---|-----|
| External Clock Input | 207 | Initialization Condition for RCON Register Case 1 | 213 |
| External Clock Timing Characteristics | | Initialization Condition for RCON Register Case 2 | 213 |
| Type A, B and C Timer | 249 | Input Capture (CAPX) Timing Characteristics | 251 |
| External Clock Timing Requirements | 241 | Input Capture Interrupts | 99 |
| Type A Timer | 249 | Input Capture Module | 97 |
| Type B Timer | 250 | Simple Capture Event Mode | 98 |
| Type C Timer | 250 | Sleep and Idle Modes | 99 |
| External Interrupt Requests | 51 | Input Capture Register Map | 100 |
| F | | Input Capture Timing Requirements | 251 |
| Fast Context Saving | 51 | Input Change Notification | 78 |
| Firmware Instructions | 219 | Input Change Notification Register Map | 80 |
| Flash Program Memory | 81 | Instruction Addressing Modes | 41 |
| In-Circuit Serial Programming (ICSP) | 81 | File Register Instructions | 41 |
| Run-Time Self-Programming (RTSP) | 81 | Fundamental Modes Supported | 41 |
| Table Instruction Operation Summary | 81 | MAC Instructions | 42 |
| | | MCU Instructions | 42 |
| | | Move and Accumulator Instructions | 42 |
| | | Other Instructions | 42 |
| I | | Instruction Set | 219 |
| I/O Pin Specifications | | Instruction Set Overview | 222 |
| Input | 239 | Inter-Integrated Circuit. <i>See</i> I ² C. | |
| Output | 239 | Internal Clock Timing Examples | 242 |
| I/O Ports | 77 | Internet Address | 273 |
| Parallel I/O (PIO) | 77 | Interrupt Control and Status Register (INTTREG) | 74 |
| I ² C | 153 | Interrupt Control Register 1 (INTCON1) | 52 |
| I ² C 10-bit Slave Mode Operation | 155 | Interrupt Control Register 2 (INTCON2) | 54 |
| Reception | 155 | Interrupt Controller Register Map | 75 |
| Transmission | 155 | Interrupt Enable Control Register 1 (IEC1) | 61 |
| I ² C 7-bit Slave Mode Operation | 155 | Interrupt Enable Control Register 2 (IEC2) | 62 |
| Reception | 155 | Interrupt Flag Status Register 0 (IFS0) | 55 |
| Transmission | 155 | Interrupt Flag Status Register 1 (IFS1) | 57 |
| I ² C Master Mode | | Interrupt Flag Status Register 2 (IFS2) | 58 |
| Baud Rate Generator | 158 | Interrupt Priority | 48 |
| Clock Arbitration | 158 | Interrupt Priority Control Register 0 (IPC0) | 63 |
| Multi-Master Communication, Bus Collision | | Interrupt Priority Control Register 1 (IPC1) | 64 |
| and Bus Arbitration | 158 | Interrupt Priority Control Register 10 (IPC10) | 73 |
| Reception | 157 | Interrupt Priority Control Register 2 (IPC2) | 65 |
| Transmission | 157 | Interrupt Priority Control Register 3 (IPC3) | 66 |
| I ² C Module | | Interrupt Priority Control Register 4 (IPC4) | 67 |
| Addresses | 155 | Interrupt Priority Control Register 5 (IPC5) | 68 |
| Bus Data Timing Characteristics | | Interrupt Priority Control Register 6 (IPC6) | 69 |
| Master Mode | 259 | Interrupt Priority Control Register 7 (IPC7) | 70 |
| Slave Mode | 261 | Interrupt Priority Control Register 8 (IPC8) | 71 |
| Bus Data Timing Requirements | | Interrupt Priority Control Register 9 (IPC9) | 72 |
| Master Mode | 260 | Interrupt Sequence | 51 |
| Slave Mode | 262 | Interrupt Stack Frame | 51 |
| Bus Start/Stop Bits Timing Characteristics | | Interrupts | 47 |
| Master Mode | 259 | Traps | 49 |
| Slave Mode | 261 | | |
| General Call Address Support | 157 | L | |
| Interrupts | 156 | Leading Edge Blanking Control Register (LEBCONx) | 120 |
| IPMI Support | 157 | Linear Feedback Register (LFSR) | 202 |
| Master Operation | 157 | Load Conditions | 240 |
| Master Support | 157 | | |
| Operating Function Description | 153 | M | |
| Operation During CPU Sleep and Idle Modes | 158 | Memory Organization | 29 |
| Pin Configuration | 153 | Microchip Internet Web Site | 273 |
| Programmer's Model | 153 | Modulo Addressing | 43 |
| Registers | 153 | Applicability | 45 |
| Slope Control | 157 | Operation Example | 44 |
| Software Controlled Clock Stretching | | Start and End Address | 43 |
| (STREN = 1) | 156 | W Address Register Selection | 43 |
| Various Modes | 153 | MPLAB Assembler, Linker, Librarian | 228 |
| I ² C Register Map | 159 | MPLAB ICD 3 In-Circuit Debugger | 229 |
| Idle Current (IDLE) | 235 | MPLAB PM3 Device Programmer | 229 |
| In-Circuit Debugger | 217 | MPLAB REAL ICE In-Circuit Emulator System | 229 |
| In-Circuit Serial Programming (ICSP) | 197 | | |

| | | | |
|--|------------|--|-----|
| MPLAB X Integrated Development Environment Software..... | 227 | Primary Time Base Register (PTPER) | 111 |
| MPLAB X SIM Software Simulator..... | 229 | Product Identification System | 282 |
| MPLIB Object Librarian | 228 | Program Address Space..... | 29 |
| MPLINK Object Linker | 228 | Construction | 30 |
| N | | Data Access from Program Memory Using | |
| NVM Register Map..... | 85 | Table Instructions | 31 |
| O | | Data Access from, Address Generation | 30 |
| OC/PWM Module Timing Characteristics..... | 252 | Memory Map..... | 29 |
| Operating Current (IDD) | 233 | Table Instructions | |
| Oscillator | | TBLRDH | 31 |
| System Overview | 197 | TBLRDL..... | 31 |
| Oscillator Configurations | 205 | TBLWTH..... | 31 |
| Fail-Safe Clock Monitor..... | 208 | TBLWTL | 31 |
| Initial Clock Source Selection | 206 | Program and EEPROM Characteristics..... | 239 |
| Phase Locked Loop (PLL) | 206 | Program Counter | 20 |
| Start-up Timer (OST) | 206 | Program Data Table Access..... | 32 |
| Oscillator Control Register (OSCCON)..... | 199 | Program Space Visibility | |
| Oscillator Selection | 197 | Window into Program Space Operation | 33 |
| Oscillator Selection Configuration Bits (FOSC) | 204 | Programmer's Model | 20 |
| Oscillator Selection Configuration Bits (FOSCSEL)..... | 203 | Diagram | 21 |
| Oscillator Start-up Timer | | Programming Operations..... | 83 |
| Timing Characteristics | 246 | Algorithm for Program Flash..... | 83 |
| Timing Requirements | 247 | Erasing a Row of Program Memory | 83 |
| Oscillator Tuning Register (OSCTUN) | 201 | Initiating the Programming Sequence | 84 |
| Oscillator Tuning Register 2 (OSCTUN2)..... | 202 | Loading Write Latches | 84 |
| Output Compare Interrupts | 104 | Programming, Device Instructions..... | 219 |
| Output Compare Module..... | 101 | PWM Alternate Dead-Time Register (ALTDTRx) | 115 |
| Timing Characteristics | 251 | PWM Control Register (PWMCONx)..... | 112 |
| Timing Requirements..... | 251 | PWM Dead-Time Register (DTRx) | 114 |
| Output Compare Operation During CPU Idle Mode..... | 103 | PWM Fault Current-Limit Control | |
| Output Compare Register Map | 105 | Register (FCLCONx) | 117 |
| Output Compare Sleep Mode Operation | 103 | PWM I/O Control Register (IOCONx) | 116 |
| P | | PWM Master Duty Cycle Register (MDC)..... | 112 |
| Packaging Information | | PWM Phase-Shift Register (PHASEx)..... | 114 |
| Marking | 267 | PWM Time Base Control Register (PTCON)..... | 110 |
| PICkit 3 In-Circuit Debugger/Programmer | 229 | PWM Trigger Compare Value Register (TRIGx) | 119 |
| Pinout Descriptions | 11, 14, 17 | PWM Trigger Control Register (TRGCONx)..... | 115 |
| PLL Clock Timing Specifications..... | 242 | R | |
| POR. See Power-on Reset. | | Register Map | |
| Port Register Map (dsPIC30F1010/2020)..... | 79 | ADC Register..... | 190 |
| Port Register Map (dsPIC30F2023)..... | 80 | Analog Comparator Control Register | 195 |
| Port Write/Read Example | 78 | Core Registers..... | 38 |
| Power Supply PWM | 107 | Device Configuration Register | 218 |
| Power Supply PWM Module | | I ² C Register | 159 |
| Timing Requirements..... | 253 | Input Capture Registers..... | 100 |
| Power Supply PWM Register Map..... | 142 | Input Change Notification Registers | 80 |
| Power-Down Current (IPD) | 237 | Interrupt Controller Registers | 75 |
| Power-on Reset (POR) | 197 | NVM Registers | 85 |
| Oscillator Start-up Timer (OST) | 197 | Output Compare Registers..... | 105 |
| Power-up Timer (PWRT) | 197 | Port Registers (dsPIC30F1010/2020) | 79 |
| Power-Saving Modes..... | 214 | Port Registers (dsPIC30F2023) | 80 |
| Idle | 215 | Power Supply PWM Registers | 142 |
| Sleep..... | 214 | SPI1 Register | 152 |
| Power-Saving Modes (Sleep and Idle) | 197 | System Integration Register (dsPIC30F202X) | 218 |
| Power-up Timer | | Timer 1 Registers | 89 |
| Timing Characteristics | 246 | Timer2/3 Registers | 95 |
| Timing Requirements..... | 247 | UART1 Register | 168 |

dsPIC30F1010/202X

Registers

| | |
|--|----------|
| ADCON | 171 |
| ADCPC0 | 175 |
| ADCPC1 | 177 |
| ADCPC2 | 179 |
| ADPCFG | 174 |
| ADSTAT | 173 |
| ALTDTRx | 115 |
| CMPCONx | 193 |
| CMPDACx | 194 |
| DTRx | 114 |
| FCLCONx | 117 |
| FOSC | 204 |
| FOSCSEL | 203 |
| IEC1 | 61 |
| IEC2 | 62 |
| IFS1 | 57 |
| IFS2 | 58 |
| IFSO | 55 |
| INTCON1 | 52 |
| INTCON2 | 54 |
| INTTREG | 74 |
| IOCONx | 116 |
| IPC0 | 63 |
| IPC1 | 64 |
| IPC10 | 73 |
| IPC2 | 65 |
| IPC3 | 66 |
| IPC4 | 67 |
| IPC5 | 68 |
| IPC6 | 69 |
| IPC7 | 70 |
| IPC8 | 71 |
| IPC9 | 72 |
| LEBCONx | 120 |
| LFSR | 202 |
| MDC | 112 |
| OSCCON | 199 |
| OSCTUN | 201 |
| OSCTUN2 | 202 |
| PHASEx | 114 |
| PTCON | 110 |
| PTPER | 111 |
| PWMCONx | 112 |
| SEVTCMP | 111 |
| SPIxCON1 (SPIx Control 1) | 150 |
| SPIxCON2 (SPIx Control 2) | 151 |
| SPIxSTAT (SPIx Status and Control) | 149 |
| TRGCONx | 115 |
| TRIGx | 119 |
| U1MODE | 164 |
| U1STA | 166 |
| Reset | 197, 209 |
| Reset Sequence | 49 |
| Reset Sources | 49 |
| Reset Timing Characteristics | 246 |
| Reset Timing Requirements | 247 |
| Resets | |
| POR | 211 |
| POR with Long Crystal Start-up Time | 212 |
| POR, Operating without FSCM and PWRT | 212 |
| RTSP Operation | 82 |

S

| | |
|--|----------|
| Sales and Support | 283 |
| Serial Peripheral Interface (SPI) | 145 |
| Simple Capture Event Mode | |
| Capture Buffer Operation | 98 |
| Capture Prescaler | 98 |
| Hall Sensor Mode | 98 |
| Input Capture in CPU Idle Mode | 99 |
| Timer2 and Timer3 Selection Mode | 98 |
| Simple OC/PWM Mode Timing Requirements | 252 |
| Simple Output Compare Match Mode | 102 |
| Simple PWM Mode | 102 |
| Period | 103 |
| Software Stack Pointer, Frame Pointer | 20 |
| CALL Stack Frame | 37 |
| Special Event Compare Register (SEVTCMP) | 111 |
| SPI | |
| Master, Frame Master Connection | 147 |
| Master/Slave Connection | 147 |
| Slave, Frame Master Connection | 148 |
| Slave, Frame Slave Connection | 148 |
| SPI Mode | |
| SPI1 Register Map | 152 |
| SPI Module | |
| Timing Characteristics | |
| Master Mode (CKE = 0) | 254 |
| Master Mode (CKE = 1) | 255 |
| Slave Mode (CKE = 1) | 256, 257 |
| Timing Requirements | |
| Master Mode (CKE = 0) | 254 |
| Master Mode (CKE = 1) | 255 |
| Slave Mode (CKE = 0) | 256 |
| Slave Mode (CKE = 1) | 258 |
| SPI1 Register Map | 152 |
| STATUS Register | 20 |
| Symbols used in Opcode Descriptions | 220 |
| System Integration | 197 |
| System Integration Register Map (dsPIC30F202X) | 218 |

T

| | |
|--|-----|
| Temperature and Voltage Specifications | |
| AC | 240 |
| Timer1 Module | 87 |
| 16-bit Asynchronous Counter Mode | 87 |
| 16-bit Synchronous Counter Mode | 87 |
| 16-bit Timer Mode | 87 |
| Gate Operation | 88 |
| Interrupt | 88 |
| Operation During Sleep Mode | 88 |
| Prescaler | 88 |
| Timer1 Register Map | 89 |
| Timer2 and Timer3 Selection Mode | 102 |
| Timer2/3 Module | 91 |
| 16-bit Timer Mode | 91 |
| 32-bit Synchronous Counter Mode | 91 |
| 32-bit Timer Mode | 91 |
| ADC Event Trigger | 94 |
| Gate Operation | 94 |
| Interrupt | 94 |
| Operation During Sleep Mode | 94 |
| Timer Prescaler | 94 |
| Timer2/3 Register Map | 95 |

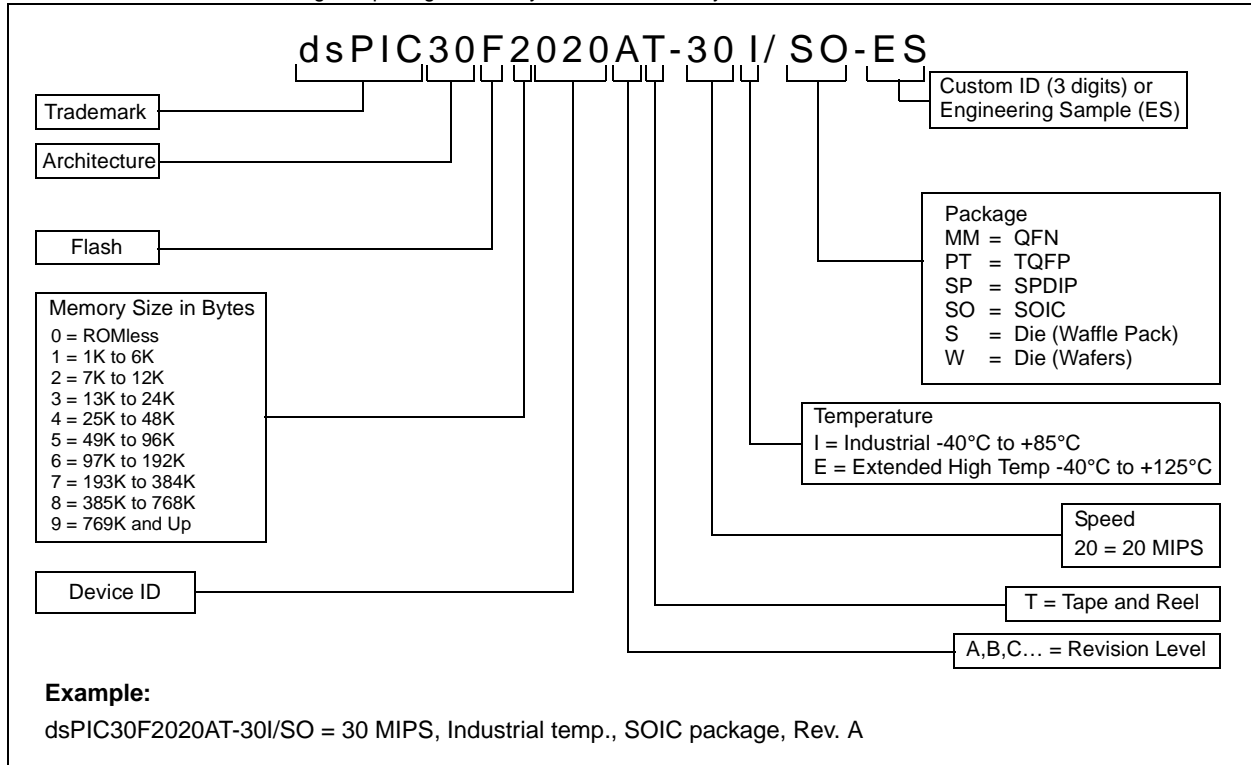
| | |
|--|---|
| Timing Characteristics | Timing Specifications |
| A/D Conversion | PLL Clock 242 |
| 10-Bit High-speed (CHPS = 01, SIMSAM = 0, ASAM = 0, SSRC = 000) 264 | Traps |
| Band Gap Start-up Time 248 | Trap Sources 49 |
| CLKO and I/O 245 | U |
| External Clock 240 | UART |
| I ² C Bus Data | Baud Rate Generator (BRG) 162 |
| Master Mode 259 | Enabling and Setting Up UART 162 |
| Slave Mode 261 | IrDA |
| I ² C Bus Start/Stop Bits | Built-in Encoder and Decoder 163 |
| Master Mode 259 | Receiving |
| Slave Mode 261 | 8-bit or 9-bit Data Mode 163 |
| Input Capture (CAPX) 251 | Transmitting |
| Motor Control PWM Module 253 | 8-bit Data Mode 163 |
| Motor Control PWM Module Fault 253 | 9-bit Data Mode 163 |
| OC/PWM Module 252 | Break and Sync Sequence 163 |
| Oscillator Start-up Timer 246 | UART1 Mode Register (U1MODE) 164 |
| Output Compare Module 251 | UART1 Register Map 168 |
| Power-up Timer 246 | UART1 Status and Control Register (U1STA) 166 |
| Reset 246 | Unit ID Locations 197 |
| SPI Module | Universal Asynchronous Receiver Transmitter. <i>See</i> UART. |
| Master Mode (CKE = 0) 254 | W |
| Master Mode (CKE = 1) 255 | Wake-up from Sleep 197 |
| Slave Mode (CKE = 0) 256 | Wake-up from Sleep and Idle 51 |
| Slave Mode (CKE = 1) 257 | Watchdog Timer |
| Type A, B and C Timer External Clock 249 | Timing Characteristics 246 |
| Watchdog Timer 246 | Timing Requirements 247 |
| Timing Diagrams | Watchdog Timer (WDT) 197, 214 |
| PWM Output 104 | Enabling and Disabling 214 |
| Time-out Sequence on Power-up (MCLR Not Tied to VDD), Case 1 211 | Operation 214 |
| Time-out Sequence on Power-up (MCLR Not Tied to VDD), Case 2 212 | WWW Address 273 |
| Time-out Sequence on Power-up (MCLR Tied to VDD) 211 | WWW, On-Line Support 8 |
| Timing Diagrams and Specifications | |
| DC Characteristics - Internal RC Accuracy 242 | |
| Timing Diagrams. <i>See</i> Timing Characteristics. | |
| Timing Requirements | |
| Band Gap Start-up Time 248 | |
| Brown-out Reset 247 | |
| CLKO and I/O 245 | |
| External Clock 241 | |
| I ² C Bus Data (Master Mode) 260 | |
| I ² C Bus Data (Slave Mode) 262 | |
| Input Capture 251 | |
| Motor Control PWM Module 253 | |
| Oscillator Start-up Timer 247 | |
| Output Compare Module 251 | |
| Power-up Timer 247 | |
| Reset 247 | |
| Simple OC/PWM Mode 252 | |
| SPI Module | |
| Master Mode (CKE = 0) 254 | |
| Master Mode (CKE = 1) 255 | |
| Slave Mode (CKE = 0) 256 | |
| Slave Mode (CKE = 1) 258 | |
| Type A Timer External Clock 249 | |
| Type B Timer External Clock 250 | |
| Type C Timer External Clock 250 | |
| Watchdog Timer 247 | |

dsPIC30F1010/202X

NOTES:

PRODUCT IDENTIFICATION SYSTEM

To order or obtain information, e.g., on pricing or delivery, refer to the factory or the listed sales office.



dsPIC30F1010/202X

NOTES:

Note the following details of the code protection feature on Microchip devices:

- Microchip products meet the specification contained in their particular Microchip Data Sheet.
- Microchip believes that its family of products is one of the most secure families of its kind on the market today, when used in the intended manner and under normal conditions.
- There are dishonest and possibly illegal methods used to breach the code protection feature. All of these methods, to our knowledge, require using the Microchip products in a manner outside the operating specifications contained in Microchip's Data Sheets. Most likely, the person doing so is engaged in theft of intellectual property.
- Microchip is willing to work with the customer who is concerned about the integrity of their code.
- Neither Microchip nor any other semiconductor manufacturer can guarantee the security of their code. Code protection does not mean that we are guaranteeing the product as “unbreakable.”

Code protection is constantly evolving. We at Microchip are committed to continuously improving the code protection features of our products. Attempts to break Microchip's code protection feature may be a violation of the Digital Millennium Copyright Act. If such acts allow unauthorized access to your software or other copyrighted work, you may have a right to sue for relief under that Act.

Information contained in this publication regarding device applications and the like is provided only for your convenience and may be superseded by updates. It is your responsibility to ensure that your application meets with your specifications. MICROCHIP MAKES NO REPRESENTATIONS OR WARRANTIES OF ANY KIND WHETHER EXPRESS OR IMPLIED, WRITTEN OR ORAL, STATUTORY OR OTHERWISE, RELATED TO THE INFORMATION, INCLUDING BUT NOT LIMITED TO ITS CONDITION, QUALITY, PERFORMANCE, MERCHANTABILITY OR FITNESS FOR PURPOSE. Microchip disclaims all liability arising from this information and its use. Use of Microchip devices in life support and/or safety applications is entirely at the buyer's risk, and the buyer agrees to defend, indemnify and hold harmless Microchip from any and all damages, claims, suits, or expenses resulting from such use. No licenses are conveyed, implicitly or otherwise, under any Microchip intellectual property rights.

Trademarks

The Microchip name and logo, the Microchip logo, dsPIC, FlashFlex, KEELOQ, KEELOQ logo, MPLAB, PIC, PICmicro, PICSTART, PIC³² logo, rPIC, SST, SST Logo, SuperFlash and UNI/O are registered trademarks of Microchip Technology Incorporated in the U.S.A. and other countries.

FilterLab, Hampshire, HI-TECH C, Linear Active Thermistor, MTP, SEEVAL and The Embedded Control Solutions Company are registered trademarks of Microchip Technology Incorporated in the U.S.A.

Silicon Storage Technology is a registered trademark of Microchip Technology Inc. in other countries.

Analog-for-the-Digital Age, Application Maestro, BodyCom, chipKIT, chipKIT logo, CodeGuard, dsPICDEM, dsPICDEM.net, dsPICworks, dsSPEAK, ECAN, ECONOMONITOR, FanSense, HI-TIDE, In-Circuit Serial Programming, ICSP, Mindi, MiWi, MPASM, MPF, MPLAB Certified logo, MPLIB, MPLINK, mTouch, Omniclient Code Generation, PICC, PICC-18, PICDEM, PICDEM.net, PICkit, PICtail, REAL ICE, rLAB, Select Mode, SQI, Serial Quad I/O, Total Endurance, TSHARC, UniWinDriver, WiperLock, ZENA and Z-Scale are trademarks of Microchip Technology Incorporated in the U.S.A. and other countries.

SQTP is a service mark of Microchip Technology Incorporated in the U.S.A.

GestIC and ULPP are registered trademarks of Microchip Technology Germany II GmbH & Co. KG, a subsidiary of Microchip Technology Inc., in other countries.

All other trademarks mentioned herein are property of their respective companies.

© 2006-2014, Microchip Technology Incorporated, Printed in the U.S.A., All Rights Reserved.

 Printed on recycled paper.

ISBN: 978-1-62077-998-9

QUALITY MANAGEMENT SYSTEM
CERTIFIED BY DNV
== ISO/TS 16949 ==

Microchip received ISO/TS-16949:2009 certification for its worldwide headquarters, design and wafer fabrication facilities in Chandler and Tempe, Arizona; Gresham, Oregon and design centers in California and India. The Company's quality system processes and procedures are for its PIC[®] MCUs and dsPIC[®] DSCs, KEELOQ[®] code hopping devices, Serial EEPROMs, microperipherals, nonvolatile memory and analog products. In addition, Microchip's quality system for the design and manufacture of development systems is ISO 9001:2000 certified.



MICROCHIP

Worldwide Sales and Service

AMERICAS

Corporate Office

2355 West Chandler Blvd.
Chandler, AZ 85224-6199
Tel: 480-792-7200
Fax: 480-792-7277
Technical Support:
<http://www.microchip.com/support>
Web Address:
www.microchip.com

Atlanta

Duluth, GA
Tel: 678-957-9614
Fax: 678-957-1455

Austin, TX

Tel: 512-257-3370

Boston

Westborough, MA
Tel: 774-760-0087
Fax: 774-760-0088

Chicago

Itasca, IL
Tel: 630-285-0071
Fax: 630-285-0075

Cleveland

Independence, OH
Tel: 216-447-0464
Fax: 216-447-0643

Dallas

Addison, TX
Tel: 972-818-7423
Fax: 972-818-2924

Detroit

Novi, MI
Tel: 248-848-4000

Houston, TX

Tel: 281-894-5983

Indianapolis

Noblesville, IN
Tel: 317-773-8323
Fax: 317-773-5453

Los Angeles

Mission Viejo, CA
Tel: 949-462-9523
Fax: 949-462-9608

New York, NY

Tel: 631-435-6000

San Jose, CA

Tel: 408-735-9110

Canada - Toronto

Tel: 905-673-0699
Fax: 905-673-6509

ASIA/PACIFIC

Asia Pacific Office

Suites 3707-14, 37th Floor
Tower 6, The Gateway
Harbour City, Kowloon
Hong Kong
Tel: 852-2401-1200
Fax: 852-2401-3431

Australia - Sydney

Tel: 61-2-9868-6733
Fax: 61-2-9868-6755

China - Beijing

Tel: 86-10-8569-7000
Fax: 86-10-8528-2104

China - Chengdu

Tel: 86-28-8665-5511
Fax: 86-28-8665-7889

China - Chongqing

Tel: 86-23-8980-9588
Fax: 86-23-8980-9500

China - Hangzhou

Tel: 86-571-8792-8115
Fax: 86-571-8792-8116

China - Hong Kong SAR

Tel: 852-2943-5100
Fax: 852-2401-3431

China - Nanjing

Tel: 86-25-8473-2460
Fax: 86-25-8473-2470

China - Qingdao

Tel: 86-532-8502-7355
Fax: 86-532-8502-7205

China - Shanghai

Tel: 86-21-5407-5533
Fax: 86-21-5407-5066

China - Shenyang

Tel: 86-24-2334-2829
Fax: 86-24-2334-2393

China - Shenzhen

Tel: 86-755-8864-2200
Fax: 86-755-8203-1760

China - Wuhan

Tel: 86-27-5980-5300
Fax: 86-27-5980-5118

China - Xian

Tel: 86-29-8833-7252
Fax: 86-29-8833-7256

China - Xiamen

Tel: 86-592-2388138
Fax: 86-592-2388130

China - Zhuhai

Tel: 86-756-3210040
Fax: 86-756-3210049

ASIA/PACIFIC

India - Bangalore

Tel: 91-80-3090-4444
Fax: 91-80-3090-4123

India - New Delhi

Tel: 91-11-4160-8631
Fax: 91-11-4160-8632

India - Pune

Tel: 91-20-3019-1500

Japan - Osaka

Tel: 81-6-6152-7160
Fax: 81-6-6152-9310

Japan - Tokyo

Tel: 81-3-6880-3770
Fax: 81-3-6880-3771

Korea - Daegu

Tel: 82-53-744-4301
Fax: 82-53-744-4302

Korea - Seoul

Tel: 82-2-554-7200
Fax: 82-2-558-5932 or
82-2-558-5934

Malaysia - Kuala Lumpur

Tel: 60-3-6201-9857
Fax: 60-3-6201-9859

Malaysia - Penang

Tel: 60-4-227-8870
Fax: 60-4-227-4068

Philippines - Manila

Tel: 63-2-634-9065
Fax: 63-2-634-9069

Singapore

Tel: 65-6334-8870
Fax: 65-6334-8850

Taiwan - Hsin Chu

Tel: 886-3-5778-366
Fax: 886-3-5770-955

Taiwan - Kaohsiung

Tel: 886-7-213-7830

Taiwan - Taipei

Tel: 886-2-2508-8600
Fax: 886-2-2508-0102

Thailand - Bangkok

Tel: 66-2-694-1351
Fax: 66-2-694-1350

EUROPE

Austria - Wels

Tel: 43-7242-2244-39
Fax: 43-7242-2244-393

Denmark - Copenhagen

Tel: 45-4450-2828
Fax: 45-4485-2829

France - Paris

Tel: 33-1-69-53-63-20
Fax: 33-1-69-30-90-79

Germany - Dusseldorf

Tel: 49-2129-3766400

Germany - Munich

Tel: 49-89-627-144-0
Fax: 49-89-627-144-44

Germany - Pforzheim

Tel: 49-7231-424750

Italy - Milan

Tel: 39-0331-742611
Fax: 39-0331-466781

Italy - Venice

Tel: 39-049-7625286

Netherlands - Drunen

Tel: 31-416-690399
Fax: 31-416-690340

Poland - Warsaw

Tel: 48-22-3325737

Spain - Madrid

Tel: 34-91-708-08-90
Fax: 34-91-708-08-91

Sweden - Stockholm

Tel: 46-8-5090-4654

UK - Wokingham

Tel: 44-118-921-5800
Fax: 44-118-921-5820

03/13/14

Mouser Electronics

Authorized Distributor

Click to View Pricing, Inventory, Delivery & Lifecycle Information:

Microchip:

[DSPIC30F1010-20E/MM](#) [DSPIC30F1010-20E/SO](#) [DSPIC30F1010-20E/SP](#) [DSPIC30F1010-30I/MM](#) [DSPIC30F1010-30I/SO](#) [DSPIC30F1010-30I/SP](#) [DSPIC30F1010T-30I/MM](#) [DSPIC30F1010T-30I/SO](#) [DSPIC30F2020-20E/MM](#) [DSPIC30F2020-20E/SO](#) [DSPIC30F2020-20E/SP](#) [DSPIC30F2020-30I/MM](#) [DSPIC30F2020-30I/SO](#) [DSPIC30F2020-30I/SP](#) [DSPIC30F2020T-30I/MM](#) [DSPIC30F2020T-30I/SO](#) [DSPIC30F2023-20E/ML](#) [DSPIC30F2023-20E/PT](#) [DSPIC30F2023-30I/ML](#) [DSPIC30F2023-30I/PT](#) [DSPIC30F2023T-30I/ML](#) [DSPIC30F2023T-30I/PT](#)

Компания «Океан Электроники» предлагает заключение долгосрочных отношений при поставках импортных электронных компонентов на взаимовыгодных условиях!

Наши преимущества:

- Поставка оригинальных импортных электронных компонентов напрямую с производств Америки, Европы и Азии, а так же с крупнейших складов мира;
- Широкая линейка поставок активных и пассивных импортных электронных компонентов (более 30 млн. наименований);
- Поставка сложных, дефицитных, либо снятых с производства позиций;
- Оперативные сроки поставки под заказ (от 5 рабочих дней);
- Экспресс доставка в любую точку России;
- Помощь Конструкторского Отдела и консультации квалифицированных инженеров;
- Техническая поддержка проекта, помощь в подборе аналогов, поставка прототипов;
- Поставка электронных компонентов под контролем ВП;
- Система менеджмента качества сертифицирована по Международному стандарту ISO 9001;
- При необходимости вся продукция военного и аэрокосмического назначения проходит испытания и сертификацию в лаборатории (по согласованию с заказчиком);
- Поставка специализированных компонентов военного и аэрокосмического уровня качества (Xilinx, Altera, Analog Devices, Intersil, Interpoint, Microsemi, Actel, Aeroflex, Peregrine, VPT, Syfer, Eurofarad, Texas Instruments, MS Kennedy, Miteq, Cobham, E2V, MA-COM, Hittite, Mini-Circuits, General Dynamics и др.);

Компания «Океан Электроники» является официальным дистрибьютором и эксклюзивным представителем в России одного из крупнейших производителей разъемов военного и аэрокосмического назначения «JONHON», а так же официальным дистрибьютором и эксклюзивным представителем в России производителя высокотехнологичных и надежных решений для передачи СВЧ сигналов «FORSTAR».



JONHON

«JONHON» (основан в 1970 г.)

Разъемы специального, военного и аэрокосмического назначения:

(Применяются в военной, авиационной, аэрокосмической, морской, железнодорожной, горно- и нефтедобывающей отраслях промышленности)

«FORSTAR» (основан в 1998 г.)

ВЧ соединители, коаксиальные кабели,
кабельные сборки и микроволновые компоненты:

(Применяются в телекоммуникациях гражданского и специального назначения, в средствах связи, РЛС, а так же военной, авиационной и аэрокосмической отраслях промышленности).



Телефон: 8 (812) 309-75-97 (многоканальный)

Факс: 8 (812) 320-03-32

Электронная почта: ocean@oceanchips.ru

Web: <http://oceanchips.ru/>

Адрес: 198099, г. Санкт-Петербург, ул. Калинина, д. 2, корп. 4, лит. А