



HCMOS 7x5mm SMD Oscillator

O7HS

(former F4500, F4400, F4100 Series)

DATASHEET

- HCMOS Output
- Stabilities to ± 20 PPM
- Temperature Ranges to -40°C to $+85^{\circ}\text{C}$
- Supply Voltages: 1.8V, 2.5V, 3.3V

1.8V ELECTRICAL CHARACTERISTICS

| PARAMETERS | MAX (unless otherwise noted) |
|--|---------------------------------|
| Frequency Range (F_0) | 0.012 ~ 160.000MHz |
| Storage Temperature Range (T_{STG}) | $-55 \sim +125^{\circ}\text{C}$ |
| Supply Voltage (V_{DD}) | $1.8V \pm 5\%$ |
| Input Current (I_{DD}) | |
| 0.012 ~ 32.000MHz | 5 mA |
| >32.000 ~ 70.000MHz | 10 mA |
| >70.000 ~ 120.000MHz | 15 mA |
| >120.000 ~ 160.000MHz | 30 mA |
| Standby Current | 10 μA |
| Output Symmetry (50% V_{DD}) | 40% ~ 60% |
| Rise/Fall Time (20%/80% V_{DD} Levels) (T_R/T_F) | |
| 0.012 ~ 32.000MHz | 5.0 nS |
| >32.000 ~ 120.000MHz | 3.5 nS |
| >120.000 ~ 160.000MHz | 3.0 nS |
| Output Voltage (V_{OL}) | 20% V_{DD} |
| (V_{OH}) | 80% V_{DD} Min |
| Output Load (HCMOS) | 15 pF |
| Start-up Time (T_s) | 10 mS |
| Output Disable Time ¹ | 300 nS |
| Output Enable Time ¹ | 10 mS |

ENABLE / DISABLE FUNCTION

| | |
|------------------------------------|----------------|
| Pin1 | Output (pin 3) |
| OPEN ¹ | Active |
| '1' Level $V_{IH} \geq 70\%V_{DD}$ | Active |
| '0' Level $V_{IL} \leq 30\%V_{DD}$ | High Z |

• Available Options by Stability & Operating Temp for 1.8V

| Frequency Stability | Operating Temperature ($^{\circ}\text{C}$) | Frequency Range (MHz) |
|-----------------------|--|-----------------------|
| $\pm 100\text{PPM}^2$ | $-10 \sim +70$ | 0.012 ~ 160.000 |
| $\pm 100\text{PPM}^2$ | $-20 \sim +70$ | 0.012 ~ 160.000 |
| $\pm 100\text{PPM}^2$ | $-40 \sim +85$ | 0.012 ~ 160.000 |
| $\pm 50\text{PPM}^2$ | $-10 \sim +70$ | 0.012 ~ 160.000 |
| $\pm 50\text{PPM}^2$ | $-20 \sim +70$ | 0.012 ~ 160.000 |
| $\pm 50\text{PPM}^2$ | $-40 \sim +85$ | 0.012 ~ 160.000 |
| $\pm 25\text{PPM}^2$ | $-10 \sim +70$ | 0.012 ~ 160.000 |
| $\pm 25\text{PPM}^2$ | $-20 \sim +70$ | 0.012 ~ 160.000 |
| $\pm 25\text{PPM}^3$ | $-40 \sim +85$ | 0.012 ~ 160.000 |
| $\pm 20\text{PPM}^3$ | $-10 \sim +70$ | 0.012 ~ 160.000 |
| $\pm 20\text{PPM}^3$ | $-20 \sim +70$ | 0.012 ~ 160.000 |

¹ An internal pull-up resistor from pin 1 to pin 4 allows active output if pin 1 is left open

² Inclusive of 25°C tolerance, operating temperature range, input voltage change, load change, reflow, one-year aging, shock, and vibration.

³ Inclusive of 25°C tolerance, operating temperature range.



© Copyright 2020 Fox Electronics. All rights reserved

| | | |
|---|----------------------|----------------------------------|
| Title / Description: O7HS SERIES STANDARD SPECIFICATIONS | | |
| Drawing Number: O7HS-DOC-1 | | Size: A |
| Part Number: | | Cage: 61429 |
| Draftsperson: BEC | Approved: MAJ | Revision Date: 01/13/2020 |



HCMOS 7x5mm SMD Oscillator

O7HS

(former F4500, F4400, F4100 Series)

DATASHEET

2.5V ELECTRICAL CHARACTERISTICS

| PARAMETERS | MAX (unless otherwise noted) |
|---|------------------------------|
| Frequency Range (F _o) | 0.012 ~ 170.000MHz |
| Storage Temperature Range (T _{STG}) | -55 ~ +125°C |
| Supply Voltage (V _{DD}) | 2.5V±5% |
| Input Current (I _{DD}) | |
| 0.012 ~ 32.000MHz | 7mA |
| >32.000 ~ 50.000MHz | 12mA |
| >50.000 ~ 125.000MHz | 26mA |
| >125.000 ~ 160.000MHz | 35mA |
| >160.000 ~ 170.000MHz | 40mA |
| Standby Current | 10µA |
| Output Symmetry (50% V _{DD}) | |
| 0.012 ~ 50.000MHz | 45% ~ 55% |
| >50.000 ~ 200.000MHz | 40% ~ 60% |
| Rise/Fall Time (10%/90% V _{DD} Levels) (T _R /T _F) | 5nS |
| Output Voltage (V _{OL}) | 10%V _{DD} |
| (V _{OH}) | 90%V _{DD} Min |
| Output Load (HCMOS) | 15pF |
| Start-up Time (T _s) | 10mS |
| Output Disable Time ¹ | 150nS |
| Output Enable Time ¹ | 10mS |

ENABLE / DISABLE FUNCTION

| Pin1 | Output (pin 3) |
|--|----------------|
| OPEN ¹ | Active |
| '1' Level V _{IH} ≥ 70%V _{DD} | Active |
| '0' Level V _{IL} ≤ 30%V _{DD} | High Z |

• Available Options by Stability & Operating Temp for 2.5V

| Frequency Stability | Operating Temperature (°C) | Frequency Range (MHz) |
|----------------------|----------------------------|-----------------------|
| ±100PPM ² | -10 ~ +70 | 0.012 ~ 170.000 |
| ±100PPM ² | -20 ~ +70 | 0.012 ~ 170.000 |
| ±100PPM ² | -40 ~ +85 | 0.012 ~ 170.000 |
| ±50PPM ² | -10 ~ +70 | 0.012 ~ 170.000 |
| ±50PPM ² | -20 ~ +70 | 0.012 ~ 170.000 |
| ±50PPM ² | -40 ~ +85 | 0.012 ~ 170.000 |
| ±25PPM ² | -10 ~ +70 | 0.012 ~ 170.000 |
| ±25PPM ² | -20 ~ +70 | 0.012 ~ 170.000 |
| ±25PPM ² | -40 ~ +85 | 0.012 ~ 170.000 |
| ±25PPM ³ | -10 ~ +70 | 0.012 ~ 170.000 |
| ±20PPM ³ | -10 ~ +70 | 0.012 ~ 170.000 |
| ±20PPM ³ | -20 ~ +70 | 0.012 ~ 170.000 |

¹ An internal pull-up resistor from pin 1 to pin 4 allows active output if pin 1 is left open

² Inclusive of 25°C tolerance, operating temperature range, input voltage change, load change, reflow, one-year aging, shock, and vibration.

³ Inclusive of 25°C tolerance, operating temperature range.



| | | |
|---|----------------------|----------------------------------|
| Title / Description: O7HS SERIES STANDARD SPECIFICATIONS | | |
| Drawing Number: O7HS-DOC-1 | Size: A | |
| Part Number: | Cage: 61429 | |
| Draftsperson: BEC | Approved: MAJ | Revision Date: 01/13/2020 |



HCMOS 7x5mm SMD Oscillator

O7HS

(former F4500, F4400, F4100 Series)

DATASHEET

3.3V ELECTRICAL CHARACTERISTICS

| PARAMETERS | MAX (unless otherwise noted) |
|---|------------------------------|
| Frequency Range (F _o) | 0.012 ~ 170.000MHz |
| Storage Temperature Range (T _{STG}) | -55 ~ +125°C |
| Supply Voltage (V _{DD}) | 3.3V±10% |
| Input Current (I _{DD}) | |
| 0.012 ~ 0.040MHz | 3 mA |
| >0.040 ~ 1.500MHz | 6 mA |
| >1.500 ~ 32.000MHz | 15 mA |
| >32.000 ~ 50.000MHz | 20 mA |
| >50.000 ~ 67.000MHz | 25 mA |
| >67.000 ~ 170.000MHz | 40 mA |
| Standby Current | 10 μA |
| Output Symmetry (50% V _{DD}) | |
| 0.012 ~ 50.000MHz | 45% ~ 55% |
| >50.000 ~ 170.000MHz | 40% ~ 60% |
| Rise/Fall Time (10%/90% V _{DD} Levels) (T _R /T _F) | |
| 0.012 ~ 80.000MHz | 6 nS |
| >80.000 ~ 125.000MHz | 4 nS |
| >125.000 ~ 170.000MHz | 3 nS |
| Output Voltage (V _{OL}) | 10% V _{DD} |
| (V _{OH}) | 90% V _{DD} Min |
| Output Load (HCMOS) | 15 pF |
| Start-up Time (T _s) | 10 mS |
| Output Disable Time ¹ | 150 nS |
| Output Enable Time ¹ | 10 mS |

ENABLE / DISABLE FUNCTION

| Pin1 | Output (pin 3) |
|--|----------------|
| OPEN ¹ | Active |
| '1' Level V _{IH} ≥ 70%V _{DD} | Active |
| '0' Level V _{IL} ≤ 30%V _{DD} | High Z |

• Available Options by Stability & Operating Temp for 3.3V

| Frequency Stability | Operating Temperature (°C) | Frequency Range (MHz) |
|----------------------|----------------------------|-----------------------|
| ±100PPM ² | -10 ~ +70 | 0.012 ~ 170.000 |
| ±100PPM ² | -20 ~ +70 | 0.012 ~ 170.000 |
| ±100PPM ² | -40 ~ +85 | 0.012 ~ 170.000 |
| ±50PPM ² | -10 ~ +70 | 0.012 ~ 170.000 |
| ±50PPM ² | -20 ~ +70 | 0.012 ~ 170.000 |
| ±50PPM ² | -40 ~ +85 | 0.012 ~ 170.000 |
| ±25PPM ² | -10 ~ +70 | 0.012 ~ 170.000 |
| ±25PPM ² | -20 ~ +70 | 0.012 ~ 170.000 |
| ±25PPM ³ | -40 ~ +85 | 0.012 ~ 170.000 |
| ±20PPM ³ | -10 ~ +70 | 0.012 ~ 170.000 |
| ±20PPM ³ | -20 ~ +70 | 0.012 ~ 170.000 |

¹ An internal pull-up resistor from pin 1 to pin 4 allows active output if pin 1 is left open

² Inclusive of 25°C tolerance, operating temperature range, input voltage change, load change, reflow, one-year aging, shock, and vibration.

³ Inclusive of 25°C tolerance, operating temperature range.



© Copyright 2020 Fox Electronics. All rights reserved

| | | |
|---|----------------------|----------------------------------|
| Title / Description: O7HS SERIES STANDARD SPECIFICATIONS | | |
| Drawing Number: O7HS-DOC-1 | | Size: A |
| Part Number: | | Cage: 61429 |
| Draftsperson: BEC | Approved: MAJ | Revision Date: 01/13/2020 |



HCMOS 7x5mm SMD Oscillator

O7HS

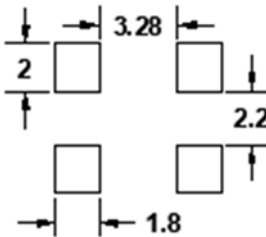
(former F4500, F4400, F4100 Series)

DATASHEET

DIMENSIONS / MECHANICAL SPECIFICATIONS



Recommended Solder Pad Layout



Dimensions in mm

Pin Connections

#1 E/D #3 Output
 #2 GND #4 V_{DD}

| | |
|----------------------------------|------------------------|
| Maximum Soldering Temp / Time | 260°C / 10 Seconds x 2 |
| Moisture Sensitivity Level (MSL) | 1 |
| Termination Finish | Au over Ni |
| Seal Method | Seam |
| Lead (Pb) Free | Yes |
| ROHS/REACH Compliant | Yes |

Notes:

*A 0.01μF capacitor should be placed between V_{DD} (Pin 4) and GND (Pin2) to minimize power supply line noise.

*Dimensional drawing is for reference to critical specifications defined by size measurements.

Certain non-critical visual attributes, such as side castellations, reference pin shape, etc. may vary



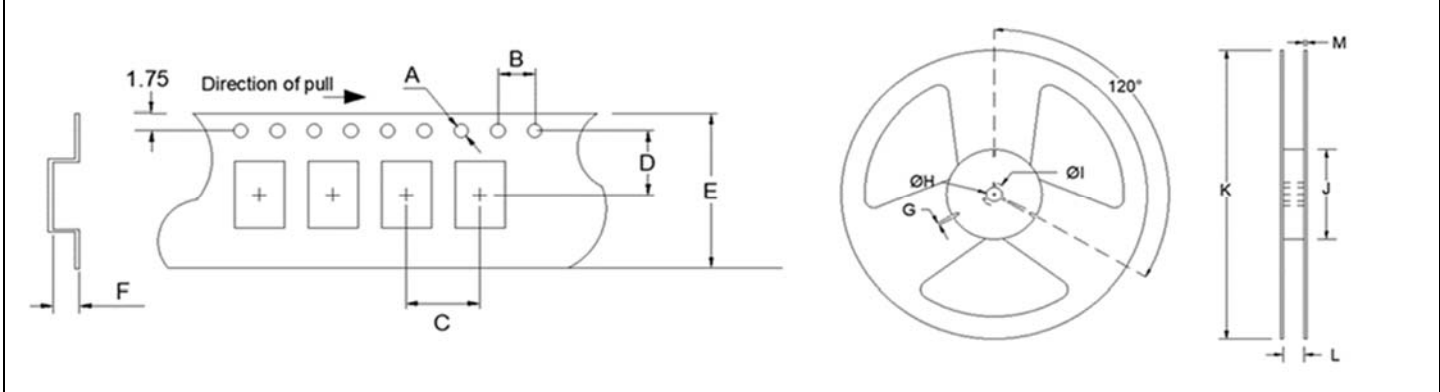
HCMOS 7x5mm SMD Oscillator

O7HS

(former F4500, F4400, F4100 Series)

DATASHEET

| Tape Specifications (millimeters) | | | | | | Reel Specifications (millimeters) | | | | | | | | |
|-----------------------------------|-----|-----|-----|------|------|-----------------------------------|--|-----|-----|-----|-----|------|------|-----|
| A | B | C | D | E | F | Reel Qty | | G | H | I | J | K | L | M |
| Ø1.5 | 4.0 | 8.0 | 7.5 | 16.0 | 2.15 | -T1 = 1,000 -T2 = 2,000 | | 2.0 | Ø13 | Ø21 | Ø80 | Ø255 | 17.5 | 2.0 |



Available Options & Part Identification*

Example: **F** O7HS **C** **B** **M** **25.0**

| F | O7HS | C | B | M | 25.0 |
|-----|--------------|---|--|---|----------------|
| Fox | Model Number | Voltage | Stability | Operating Temperature | Frequency(MHz) |
| | | K = 1.8V±5% H = 2.5V±5% C = 3.3V±10% | A = ±100PPM B = ±50PPM D = ±25PPM E = ±20PPM | E = -10 to +70°C F = -20 to +70°C M = -40 to +85°C | |

*Not all frequencies in the frequency range, or every combination of stability, temp range, and voltage available. See stabilities and op temps for each VDD.



Corporate Headquarters
5570 Enterprise Parkway
Fort Myers, FL 33905
<http://www.FOXONLINE.com>

Sales
1-888-GET-2-FOX (1-888-438-2369)
or
1-239-693-0099
<http://www.FOXONLINE.com/repdisty>

Tech Support
<http://www.FOXONLINE.com/email>

Product use: Fox Electronics reserves the right to modify the products and/or specifications described herein at any time and at Fox Electronics' sole discretion. All information in this document, including descriptions of product features and performance, is subject to change without notice. Performance specifications and the operating parameters of the described products are determined in the independent state and are not guaranteed to perform the same way when installed in customer products. The information contained herein is provided without representation or warranty of any kind, whether express or implied, including, but not limited to, the suitability of Fox Electronics' products for any particular purpose, an implied warranty of merchantability, or non-infringement of the intellectual property rights of others. This document is presented only as a guide and does not convey any license under intellectual property rights of Fox Electronics or any third parties.

Fox Electronics' products are not intended for use in applications involving extreme environmental conditions or in life support systems or similar devices where the failure or malfunction of a Fox Electronics product can be reasonably expected to significantly affect the health or safety of users. Anyone using a Fox Electronics product in such a manner does so at their own risk, absent an express, written agreement by Fox Electronics.

Fox Electronics and the Fox logo are registered trademarks of Fox Electronics. Product specification is subject to change without notice. Other trademarks and service marks used herein, including protected names, logos and designs, are the property of Fox Electronics or their respective third party owners.

| | | | |
|--|---|----------------------|----------------------------------|
| | Title / Description: O7HS SERIES STANDARD SPECIFICATIONS | | |
| | Drawing Number: O7HS-DOC-1 | Size: A | |
| | Part Number: | Cage: 61429 | |
| | Draftsperson: BEC | Approved: MAJ | Revision Date: 01/13/2020 |

© Copyright 2020 Fox Electronics. All rights reserved

Компания «Океан Электроники» предлагает заключение долгосрочных отношений при поставках импортных электронных компонентов на взаимовыгодных условиях!

Наши преимущества:

- Поставка оригинальных импортных электронных компонентов напрямую с производств Америки, Европы и Азии, а так же с крупнейших складов мира;
- Широкая линейка поставок активных и пассивных импортных электронных компонентов (более 30 млн. наименований);
- Поставка сложных, дефицитных, либо снятых с производства позиций;
- Оперативные сроки поставки под заказ (от 5 рабочих дней);
- Экспресс доставка в любую точку России;
- Помощь Конструкторского Отдела и консультации квалифицированных инженеров;
- Техническая поддержка проекта, помощь в подборе аналогов, поставка прототипов;
- Поставка электронных компонентов под контролем ВП;
- Система менеджмента качества сертифицирована по Международному стандарту ISO 9001;
- При необходимости вся продукция военного и аэрокосмического назначения проходит испытания и сертификацию в лаборатории (по согласованию с заказчиком);
- Поставка специализированных компонентов военного и аэрокосмического уровня качества (Xilinx, Altera, Analog Devices, Intersil, Interpoint, Microsemi, Actel, Aeroflex, Peregrine, VPT, Syfer, Eurofarad, Texas Instruments, MS Kennedy, Miteq, Cobham, E2V, MA-COM, Hittite, Mini-Circuits, General Dynamics и др.);

Компания «Океан Электроники» является официальным дистрибьютором и эксклюзивным представителем в России одного из крупнейших производителей разъемов военного и аэрокосмического назначения «JONHON», а так же официальным дистрибьютором и эксклюзивным представителем в России производителя высокотехнологичных и надежных решений для передачи СВЧ сигналов «FORSTAR».



JONHON

«JONHON» (основан в 1970 г.)

Разъемы специального, военного и аэрокосмического назначения:

(Применяются в военной, авиационной, аэрокосмической, морской, железнодорожной, горно- и нефтедобывающей отраслях промышленности)

«FORSTAR» (основан в 1998 г.)

ВЧ соединители, коаксиальные кабели, кабельные сборки и микроволновые компоненты:

(Применяются в телекоммуникациях гражданского и специального назначения, в средствах связи, РЛС, а так же военной, авиационной и аэрокосмической отраслях промышленности).



Телефон: 8 (812) 309-75-97 (многоканальный)

Факс: 8 (812) 320-03-32

Электронная почта: ocean@oceanchips.ru

Web: <http://oceanchips.ru/>

Адрес: 198099, г. Санкт-Петербург, ул. Калинина, д. 2, корп. 4, лит. А